

ASSEMBLY INSTRUCTIONS
COASTER FINE FURNITURE



Fine Furniture for every stage of life

104873
BAR TABLE

REVISION 0 : 10/23/2017
REVISION 1 : 07/13/2020
REVISION 2 : 01/31/2023

ITEM:104873



ASSEMBLY INSTRUCTIONS

ASSEMBLY TIPS:

1. Remove hardware from box and sort by size.
2. Please check to see that all hardware and parts are present prior to start of assembly.
3. Please follow attached instructions in the same sequence as numbered to assure fast & easy assembly.



WARNING!

1. Don't attempt to repair or modify parts that are broken or defective. Please contact the store immediately.
2. This product is for home use only and not intended for commercial establishments.



ASSEMBLY TIME 50 MINUTES

PARTS IDENTIFICATION

A	GLASS		1PC
BN	TOP FRAME		1PC
CN	SIDE FRAME		2PCS
D	CROSSBAR		1PC
E	TRIANGLE METAL		4PCS
F	SUPPORT METAL		4PCS








ITEM:104873



ASSEMBLY INSTRUCTIONS

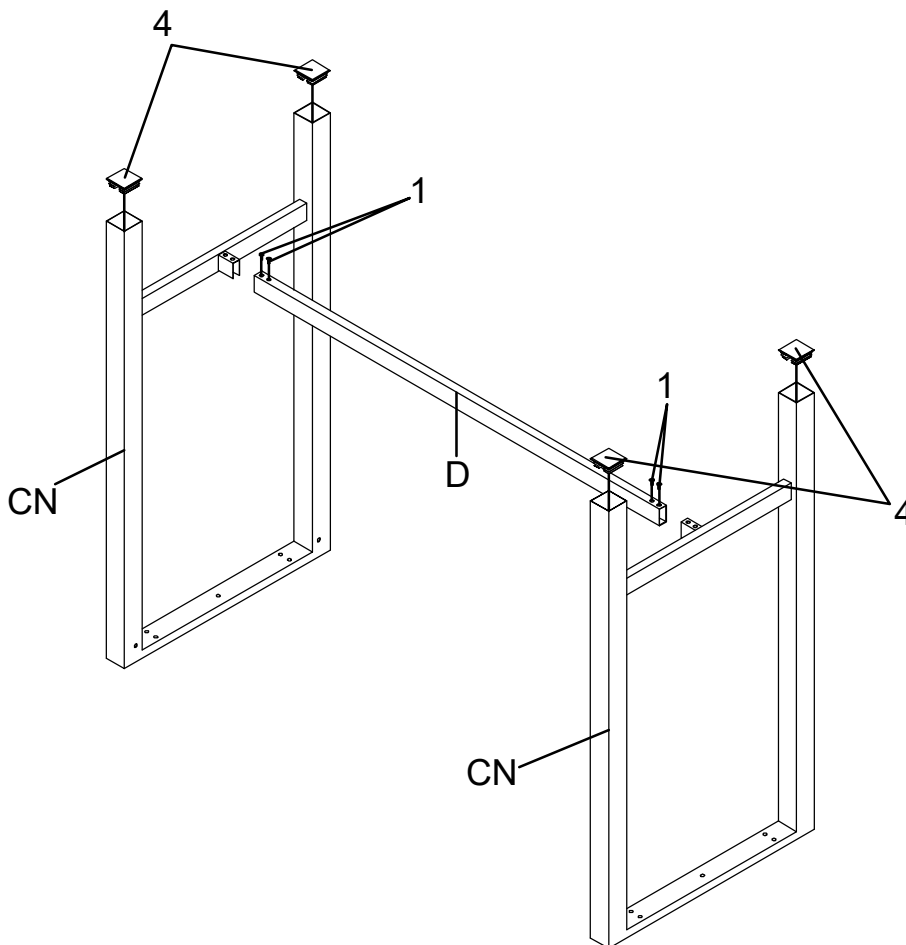
ZN

HARDWARE IDENTIFICATION

1	SHORT BOLT (1/4" x 12mm SR)		12PCS	5	WASHER (ϕ 16mm)		2PCS
2	LONG BOLT (1/4" x 30mm SR)		10PCS	6	COVER		8PCS
3	SUCTION CUP (ϕ 15 x 2.7mm)		6PCS	7	ALLEN KEY (4mm)		1PC
4	CAP (50 x 50mm BLK)		4PCS				

STEP 1

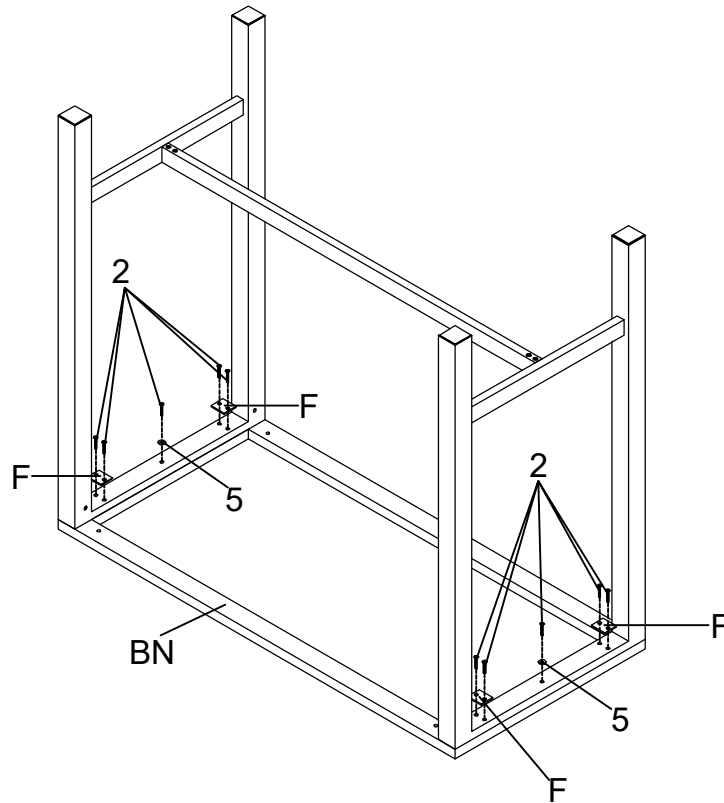
Do not tighten until each step is completed or instructed.



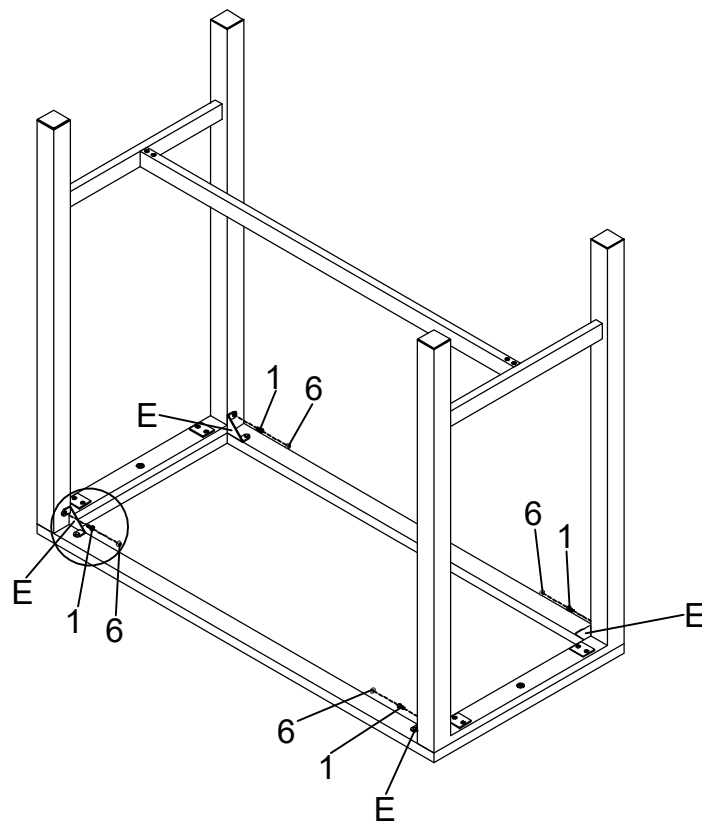
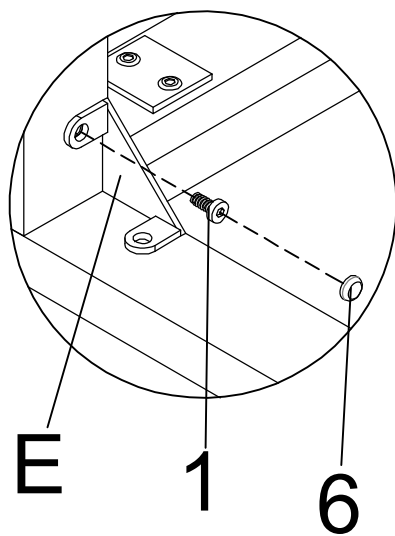
ITEM:104873

ASSEMBLY INSTRUCTIONS

STEP 2



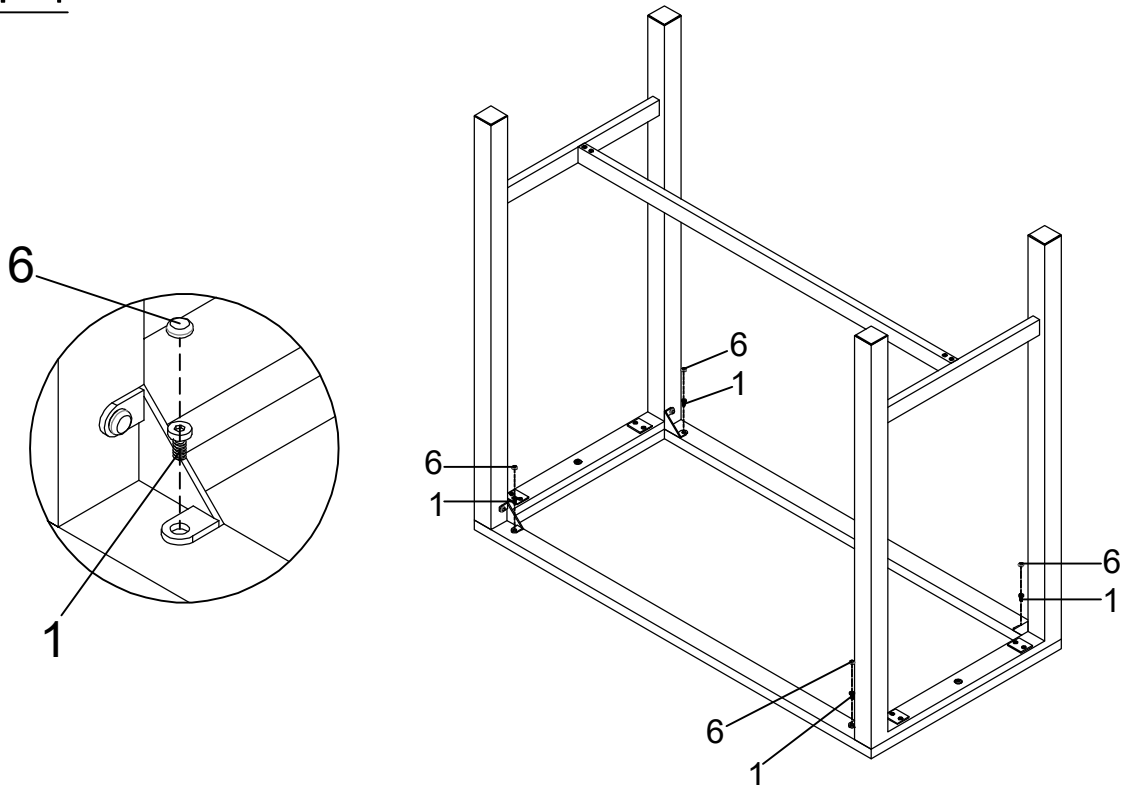
STEP 3



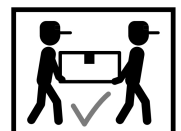
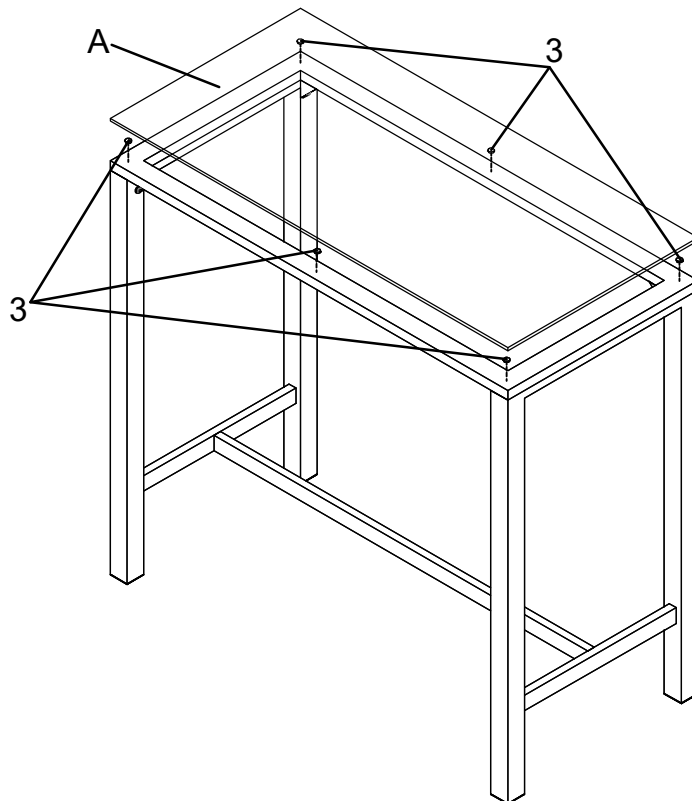
ITEM:104873

ASSEMBLY INSTRUCTIONS

STEP 4



STEP 5 COMPLETE



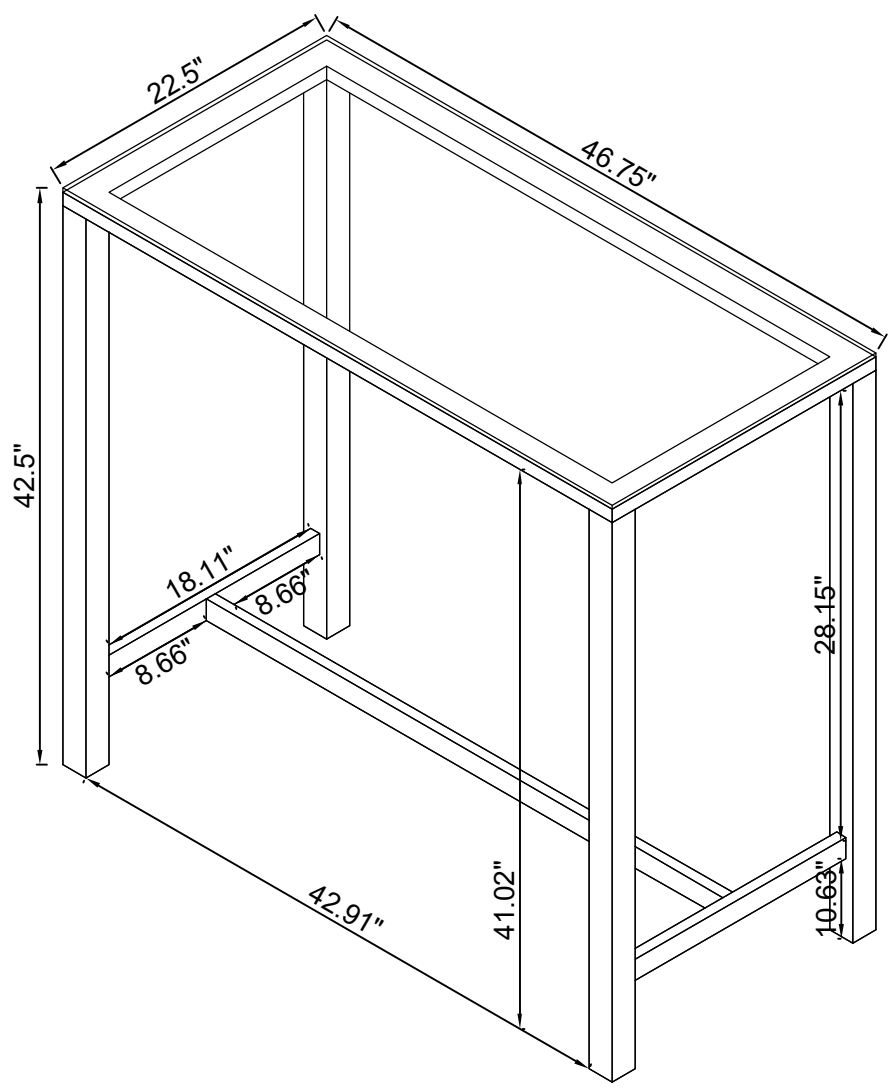
ITEM:104873

ASSEMBLY INSTRUCTIONS



Product Size : 1188 X 571 X 1080 H (MM)

Product Size : 46 $\frac{3}{4}$ " X 22 $\frac{1}{2}$ " X 42 $\frac{1}{2}$ "



Note : Dimension tolerance $\pm 5\%$