

# Dishwasher

---

## User manual

DW80R9950 Series

---



**SAMSUNG**

# Contents

---

<b>Safety information</b>	<b>4</b>
What you need to know about the safety instructions	4
Important safety symbols	4
Before using your dishwasher	7
<b>Before you start</b>	<b>11</b>
Unpacking your dishwasher	11
Checking parts	12
Unsuitable items for the dishwasher	14
Water reflector	14
<b>Using your dishwasher</b>	<b>15</b>
Basic use of racks	15
Detergent guidelines	26
Touchpad responsiveness	29
<b>Operations</b>	<b>30</b>
Control panel	30
Cycle overview	33
Simple steps to start your dishwasher	34
Settings	35
SmartThings	37
Special features	40
<b>Maintenance</b>	<b>41</b>
Cleaning	41
Long-term care	44
Cleaning the drain pump	45
Storing your dishwasher	45

---

<b>Troubleshooting</b>	<b>46</b>
Check these solutions if your dishwasher...	46
Information codes	51
<b>Cycle chart</b>	<b>53</b>
<b>Appendix</b>	<b>55</b>
Helping the environment	55
Specifications	55
<b>Warranty (U.S.A)</b>	<b>56</b>

---



# Safety information

---

Congratulations on your new Samsung dishwasher. This manual contains important information on the installation, use, and care of your appliance. Please take time to read this manual to take full advantage of your dishwasher's many benefits and features.

## What you need to know about the safety instructions

---

Warnings and Important Safety Instructions in this manual do not cover all possible conditions and situations that may occur. It is your responsibility to use common sense, caution, and care when installing, maintaining, and operating your dishwasher.

## Important safety symbols

---

What the icons and signs in this user manual mean:

### **WARNING**

Hazards or unsafe practices that may result in **severe personal injury or death**.

To reduce the risk of fire, explosion, electric shock, or personal injury when using your dishwasher, follow these basic safety precautions:

### **CAUTION**

Hazards or unsafe practices that may result in **minor personal injury or property damage**.

### **NOTE**

These warning signs are here to prevent injury to you and others.

Please follow them explicitly.

After reading this section, keep it in a safe place for future reference.

# SAVE THESE INSTRUCTIONS



## California Proposition 65 Warning

 **WARNING:** Cancer and Reproductive Harm - [www.P65Warnings.ca.gov](http://www.P65Warnings.ca.gov)

### **WARNING**

When using your dishwasher, follow basic precautions, including the following:

1. Read all instructions before using the dishwasher.
2. Use the dishwasher only for its intended function.
3. Use only detergents or wetting agents recommended for use in a dishwasher and keep them out of the reach of children.
4. When loading items to be washed:
  - locate sharp items so that they are not likely to damage the door seal, and
  - load sharp knives with the handles up to reduce the risk of cut-type injuries.
5. Do not wash plastic items unless they are marked "dishwasher safe" or the equivalent. For plastic items not so marked, check the manufacturer's recommendations.
6. Do not touch the HEATING ELEMENT during or immediately after use.
7. Do not operate your dishwasher unless all ENCLOSURE panels are properly in place.
8. Do not tamper with the controls.
9. Do not abuse, sit on, or stand on the door or dish rack of the dishwasher.
10. To reduce the risk of injury, do not allow children to play in or on the dishwasher.
11. Under certain conditions, hydrogen gas may be produced in a hot-water system that has not been used for two weeks or more. HYDROGEN GAS IS EXPLOSIVE. If the hot-water system has not been used for such a period, before using the dishwasher turn on all hot-water faucets and let the water flow from each for several minutes. This will release any accumulated hydrogen gas. As the gas is flammable, do not smoke or use an open flame during this time.
12. Remove the door to the washing compartment when removing an old dishwasher from service or discarding it.

## SAVE THESE INSTRUCTIONS



# Safety information

---

## CAUTION

- After unpacking the dishwasher, keep the packaging out of the reach of children.
- The dishwasher is extremely heavy. Do not attempt to move or carry the dishwasher by yourself. Two or more people are needed to move a dishwasher and avoid potential injuries.
- As with any equipment using electricity, water, and moving parts, potential hazards exist.
- Do not install the dishwasher near electrical components. Keep the dishwasher away from open flames.
- Install and level your dishwasher on an uncarpeted floor that can support its weight.
- Your dishwasher must be properly grounded. Never connect it to an ungrounded outlet. See page 7 for more information on grounding your dishwasher.
- Connect the ground wire to the green ground connector in the terminal box.
- After the dishwasher is installed, check that the drain hose is properly connected and that there is no leakage from the hose connectors. If the drain hose is loose, it may cause property damage.
- The water supply line is susceptible to breakage. As time goes by, it becomes less flexible. Check the line periodically. If it is swollen, torn, cut, or there is a water leak, replace it immediately.
- To safely operate this appliance, familiarize yourself with its operations and exercise care when using it.
- Do not put gasoline, solvents, or other flammable materials inside the dishwasher. Do not wash dishes exposed to these materials.
- Keep your dishwasher detergent out of the reach of children. Detergent has an adverse effect on human organs. It contains elements for polishing and is corrosive. Avoid letting the detergent come into contact with your skin and eyes.
- Do not push or place pressure on the door when it is open, as this may damage the dishwasher or cause harm.
- Do not allow children to play in or on the dishwasher. They may harm themselves or damage the dishwasher.

**SAVE THESE INSTRUCTIONS**



- Disconnect the power cable (or set the circuit breaker to off) before servicing your dishwasher.
- Do not repair, replace, or service any part of your dishwasher yourself. Disassembly, repairs, and modifications are permitted by authorized service technicians only. Work done by an unauthorized person may void your warranty.
- Before disposing of your dishwasher, remove the door of the washing compartment or the door latch so that children or small animals cannot get trapped inside.
- If the dishwasher is left unused for an extended period of time, turn off the water supply.
- This dishwasher is intended for residential use only.

## Before using your dishwasher

### WARNING



#### Tip-Over Hazard

- Do not use the dishwasher until it is correctly installed.
- Do not push down on the dishwasher door when it is open.
- Do not place excessive weight on the dishwasher door when it is open.



#### Electric Shock Hazard

Failure to follow these instructions can result in death, fire, or electric shock:

- Electrically ground the dishwasher
- Connect the ground wire to the green ground connector in the junction box.
- Do not use an extension cord.

# SAVE THESE INSTRUCTIONS



# Safety information

---

## Regulatory notice

---

### FCC Notice

#### **FCC CAUTION:**

Any changes or modifications not expressly approved by the party responsible for compliance could void the user's authority to operate the equipment.

This device complies with Part 15 of FCC Rules. Operation is Subject to following two conditions:

- (1) This device may not cause harmful interference, and
- (2) This device must accept any interference received including interference that cause undesired operation.

For products sold in the US and Canadian markets, only channels 1-11 are available. You cannot select any other channels.

#### FCC STATEMENT:

This equipment has been tested and found to comply within the limits for a Class B digital device, pursuant to part 15 of the FCC Rules. These limits are designed to provide reasonable protection against harmful interference in a residential installation.

This equipment generates, uses, and can radiate radio frequency energy and, if not installed and used in accordance with the instructions, may cause harmful interference to radio communications. However, there is no guarantee that interference will not occur in a particular installation. If this equipment does cause harmful interference to radio or television reception, which can be determined by turning the equipment off and on, the user is encouraged to try to correct the interference by one or more of the following measures:

- Reorienting or relocating the receiving antenna
- Increasing the separation between the equipment and receiver
- Connecting the equipment to an outlet that is on a different circuit than the radio or TV.
- Consulting the dealer or an experienced radio/TV technician for help.

## SAVE THESE INSTRUCTIONS





---

**FCC RADIATION EXPOSURE STATEMENT:**

This equipment complies with FCC radiation exposure limits set forth for an uncontrolled environment. This equipment should be installed and operated so there is at least 8 inches (20 cm) between the radiator and your body. This device and its antenna(s) must not be co-located or operated in conjunction with any other antenna or transmitter.

**IC Notice**

The term “IC” before the radio certification number only signifies that Industry Canada technical specifications were met. Operation is subject to the following two conditions: (1) this device may not cause interference, and (2) this device must accept any interference, including interference that may cause undesired operation of the device.

This Class B digital apparatus complies with Canadian ICES-003.

Cet appareil numérique de la classe B est conforme à la norme NMB-003 du Canada.

For products sold in the US and Canadian markets, only channels 1-11 are available. You cannot select any other channels.

**IC RADIATION EXPOSURE STATEMENT:**

This equipment complies with IC RSS-102 radiation exposure limits set forth for an uncontrolled environment. This equipment should be installed and operated so there is at least 8 inches (20 cm) between the radiator and your body. This device and its antenna(s) must not be co-located or operated in conjunction with any other antenna or transmitter.

---

**SAVE THESE INSTRUCTIONS**



# Safety information

---

## Open Source Announcement

The software included in this product contains open source software. You may obtain the complete corresponding source code for a period of three years after the last shipment of this product by sending an email to <mailto:oss.request@samsung.com>.

It is also possible to obtain the complete corresponding source code in a physical medium such as a CD-ROM; a minimal charge will be required.

The following URL [http://opensource.samsung.com/opensource/SMART\\_AT\\_051/seq/0](http://opensource.samsung.com/opensource/SMART_AT_051/seq/0) leads to the download page of the source code made available and open source license information as related to this product. This offer is valid to anyone in receipt of this information.



**SAVE THESE INSTRUCTIONS**



# Before you start

---

Be sure to have your installer follow these instructions closely so that your new dishwasher works properly and that you're not at risk of injury when washing dishes.

## Unpacking your dishwasher

---

- Once your new dishwasher has been delivered to you, carefully unpack it and check for any damage.  
If the dishwasher has been damaged, make note of it on the waybill and keep a copy. Do not install the dishwasher, and contact Samsung Customer Service at the number listed on the next page.
- If there is no damage to the product, you can proceed with the installation. If you are going to install it yourself, make sure to read through the installation guide and follow the directions inside.
- After unpacking your dishwasher, keep the packaging out of the reach of children to ensure their safety.

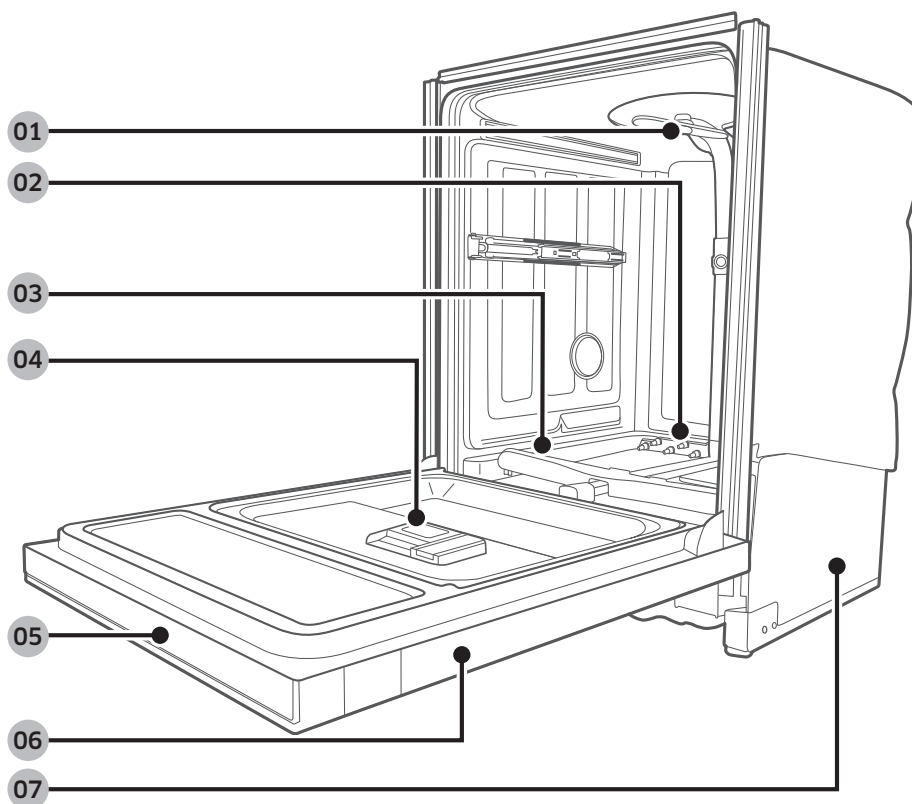
# Before you start

## Checking parts

When your dishwasher has been unpacked, make sure you've received all the parts shown below.

If your dishwasher was damaged during shipping, or if you do not have all the parts, contact **Samsung Customer Service at 1-800-SAMSUNG (726-7864)**.

Before you start



01 Top nozzle

02 Lower nozzle

03 Water reflector

04 Dispenser

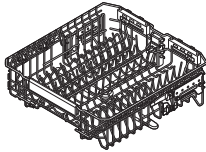
05 Control panel

06 Door

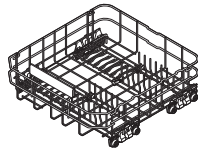
07 Base

---

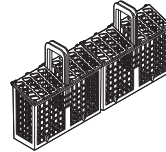
## Accessories



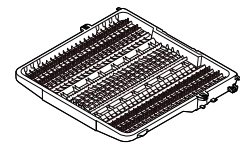
Upper rack



Lower rack



Cutlery rack



3<sup>rd</sup> rack

### NOTE

Accessory parts - User/Installation manual, Installation Kit, Kick Plate.

### CAUTION

- Do not wash items that are covered with ash, sand, wax, lubricating grease, or paint. These materials will damage the dishwasher. Ash does not dissolve and will spread inside the dishwasher.
- Remove food remains such as bones, fruit seeds, etc. and waste such as toothpicks, paper napkins, etc. from your dishes. Food remains and waste can make noise, cause the dishwasher to malfunction, and damage your dishes and dishwasher.

Before you start

# Before you start

---

## Unsuitable items for the dishwasher

---

### **WARNING**

Wash only items such as glass, porcelain, and cutlery which the manufacturer states is dishwasher safe. Do not wash aluminium (e.g. grease filters). The dishwasher may damage aluminium, or in extreme cases, cause a severe chemical reaction.

### **Do not wash the following items in the dishwasher.**

- Copper, brass, tin, ivory, and aluminium items or items with adhesive
- Non-heat resistant plastics
- Craft items, antiques, valuable vases, and decorative glassware
- Pottery or glazed-ceramic items
- Wooden cutlery and crockery or items with wooden parts
- Delicate glassware or glassware containing lead crystal. Clouding may occur on the glassware after frequent washing.

### **NOTE**

Silverware that has contacted food containing sulphur may become discoloured. Food with sulphuric content include egg yolks, onions, mayonnaise, mustard, fish, fish brine, and marinades.

## Water reflector

---

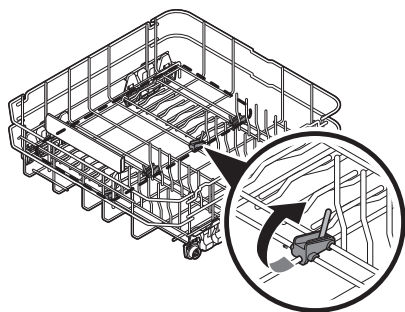
The water reflector automatically detects obstacles inside the dishwasher that can interfere with the reflector's signal. If an obstacle is detected, the display blinks and the dishwasher chimes for several minutes. If this happens, remove the obstacle.

# Using your dishwasher

## Basic use of racks

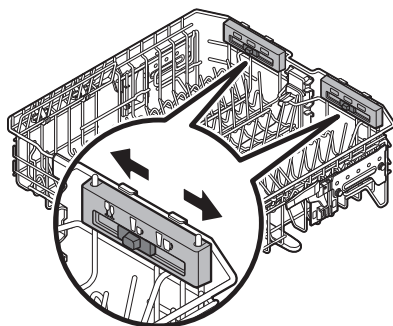
### Angle of the plate supports

In the **Lower rack**, you can easily fold down the fold-down tines to make room for large items such as pots and pans on the Zone Booster area. Remove the rack from the dishwasher, and then fold down the tines one at a time. See the illustration below.

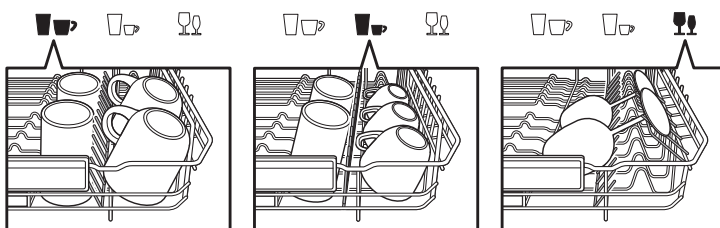


Lower rack

In the **Upper rack**, you can adjust the angle of the tines to three different positions to match the size and shape of your dishes. To adjust the tines, grasp the handle at the front of the rack, and then push it left or right. See the illustration below.



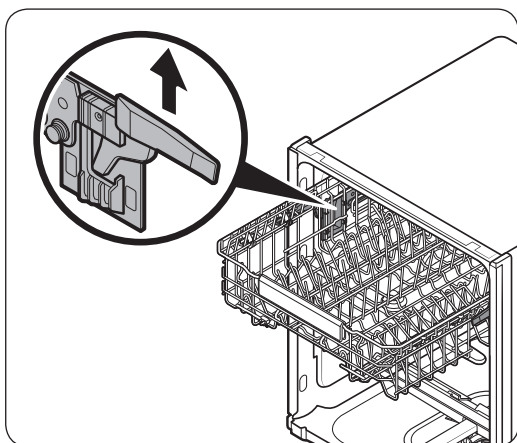
Upper rack



# Using your dishwasher

## Height adjustment

You can adjust the height of the upper rack in your Samsung dishwasher so that the lower rack can accommodate larger sized dishes. Depending on where you set the upper rack height, the lower rack can accommodate plates up to 12 in. (30 cm) in diameter and the upper rack can accommodate plates up to 8 in. (20 cm) in diameter.



### To raise the upper rack

Pull the upper rack upwards. The adjustable handle will latch, and the upper rack will rise.

### To lower the upper rack

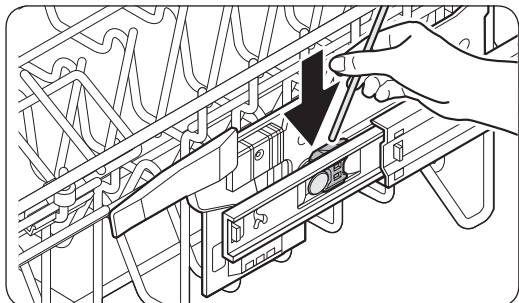
Hold both the adjustable handles located at the left and right sides of the upper rack, and then evenly press down.

### ⚠ CAUTION

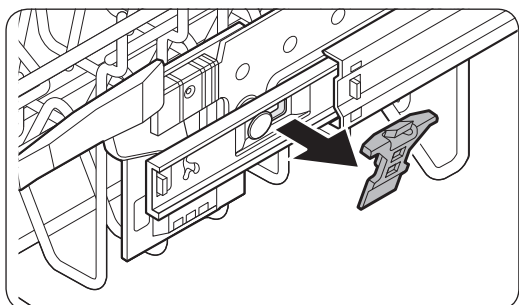
- Adjust the height of the upper rack before loading dishes into the rack. Adjusting the rack after loading the dishes may damage the dishes.
- Make sure to hold both handles when adjusting, or the dishwasher door may not close properly.



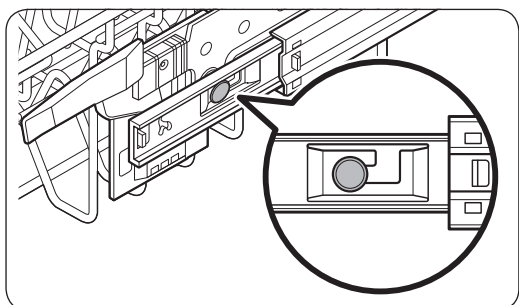
## To remove the upper rack



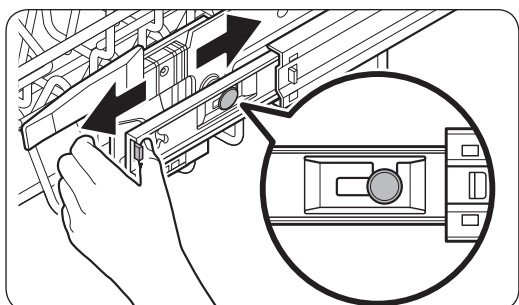
1. Push the hook on the holder rail (on left and right sides).



2. Remove the holder rail from the rail (on left and right sides).



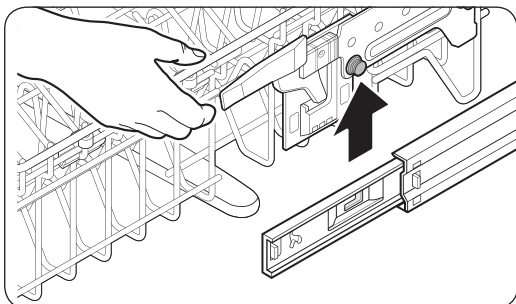
3. Check the position of the shaft on the rail bracket.



4. Slide the upper rack so that the shaft is positioned at end of the rail bracket.

# Using your dishwasher

---

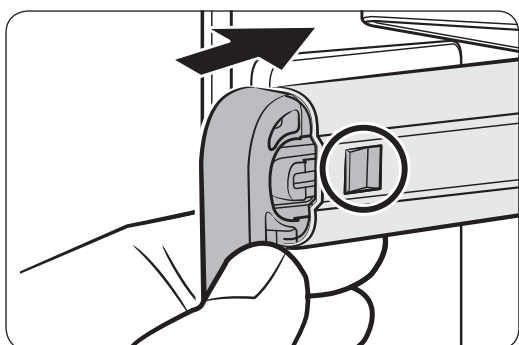
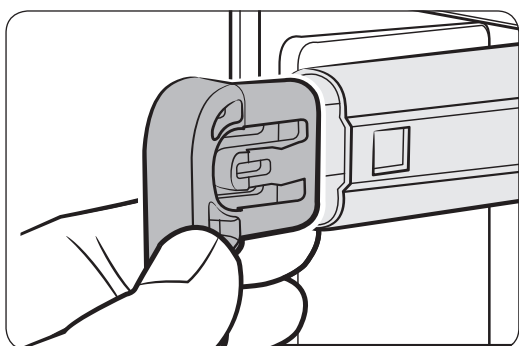
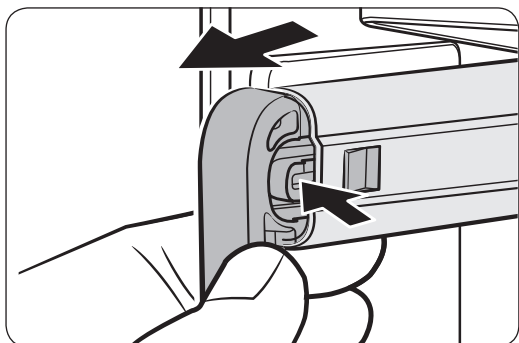


5. Lift the upper rack to remove.

## CAUTION

- Do not operate the dishwasher without the upper rack. Otherwise, noises occur and the dishwasher does not operate properly.
- Because the upper rack is removable, insert the upper rack properly to ensure the dishwasher operates normally.
- Take care that you do not lose the holder rails during this process.

## To remove the 3<sup>rd</sup> Rack



1. Put your finger on the lower area of the 3<sup>rd</sup> holder rail as shown, and then push the holder handle (see the arrow marks in this picture) to draw and remove the holder. Repeat this step on the other side.

2. When the holder is removed, remove the 3<sup>rd</sup> rack from the dishwasher.

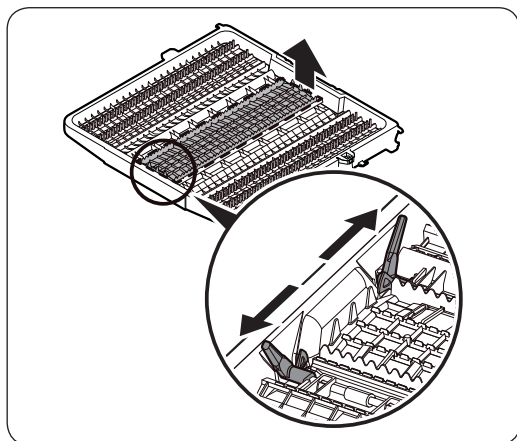
3. Reverse the order of removal to re-insert the 3<sup>rd</sup> rack.

### CAUTION

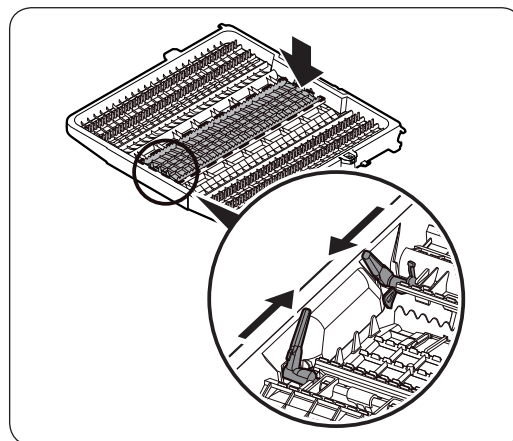
Make sure the hook-shaped part (circle-marked) of the holder faces downward when reinserting the holder into the rail.

# Using your dishwasher

## Flexible 3<sup>rd</sup> Rack™ adjustment



High position of Flex Deck



Low position of Flex Deck

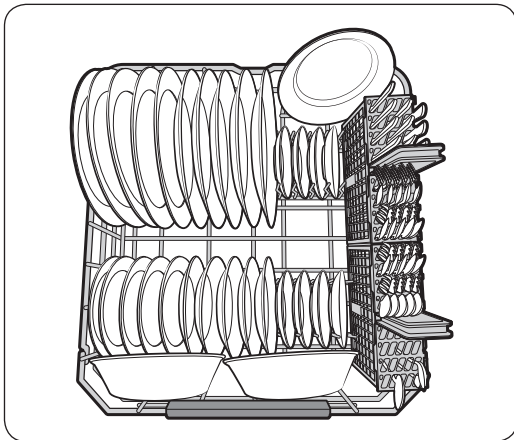
When putting spatulas, serving spoons and similar items in the Flex Deck, pull or push the parts highlighted in the figure above in the direction of the arrows. Once the Flex Deck is lowered, you can put relatively bigger cookware items in it. To better use the upper rack, remove the 3<sup>rd</sup> rack or raise it to make more room.

## Loading dishes

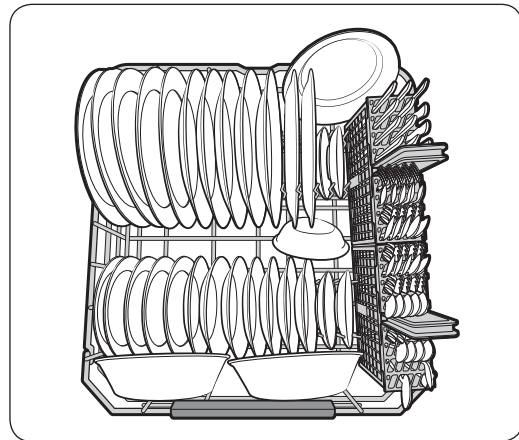
### Loading the lower rack

The lower rack has been especially designed for dinner dishes, soup bowls, plates, pots, lids, casserole dishes, and plates.

Load large items such as pans and pots into the dishwasher so their open sides face downwards. We recommend loading cups, stemware, and small plates into the upper rack. See the recommended loading patterns below.

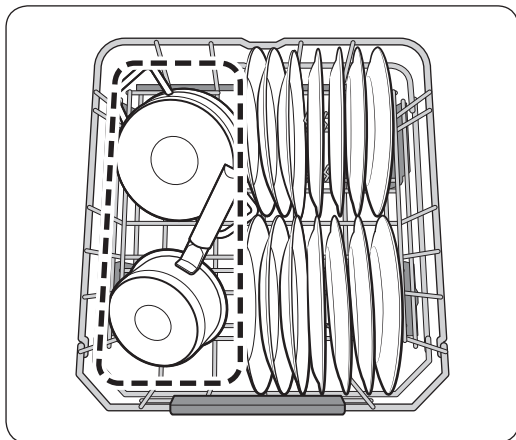


10 place setting



12 place setting

### Loading the Zone Booster areas



For more effective cleaning, load large items into the left side of the lower rack-Zone Booster areas (Red zone).

The Zone Booster function supplies more powerful water jets in the Zone Booster areas.

Make sure pot handles and other items do not interfere with the rotation of the nozzles or the water reflector.

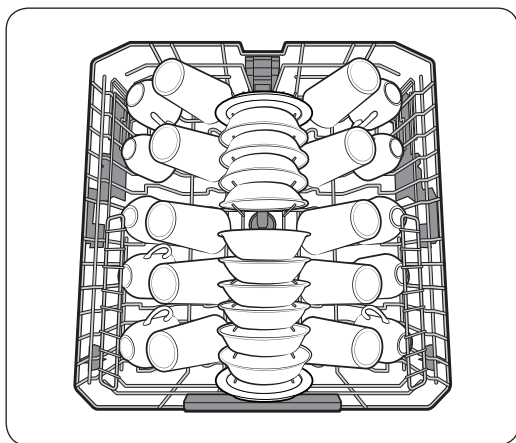
# Using your dishwasher

## Loading the upper rack

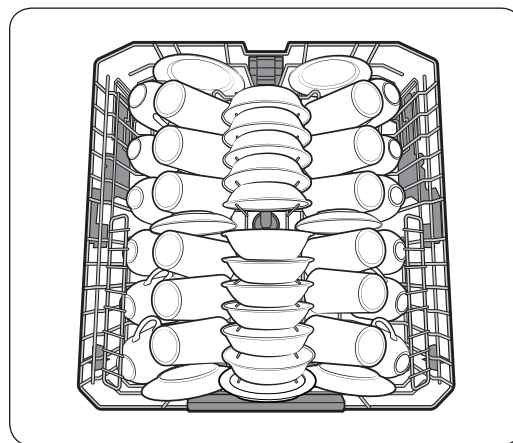
The upper rack has been designed for small plates, mugs, glasses, and plastic items marked “dishwasher safe”. Load your plates into the dishwasher in two half rows, so that the front of each plate faces the back of the plate in front of it, and the open sides of the plates at the center of the dishwasher face each other. See the illustrations below.

Make sure the loaded dishes do not interfere with the rotation of the nozzle which is located at the bottom of the upper rack. (Check this by rotating the nozzle by hand.)

When loading dishes, pull the upper rack out sufficiently so you can load it without striking the counter above.

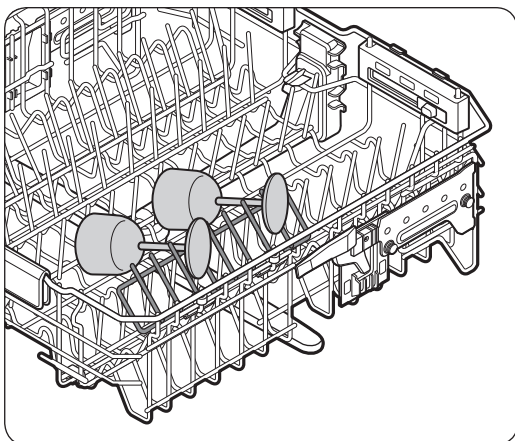


10 place setting



12 place setting

## Using the glass support

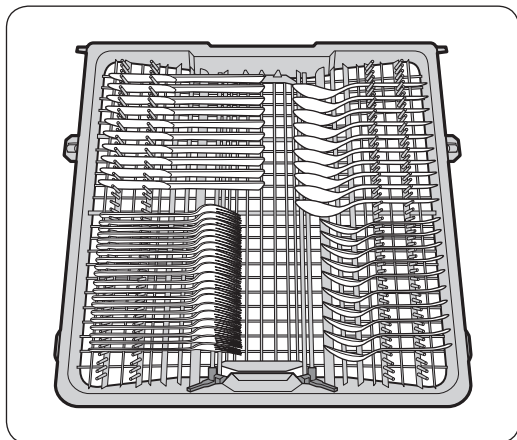


The glass support is especially suited for wine glasses. Hang wine glasses onto the pegs of the glass support. Fold the glass support back when it is not being used.

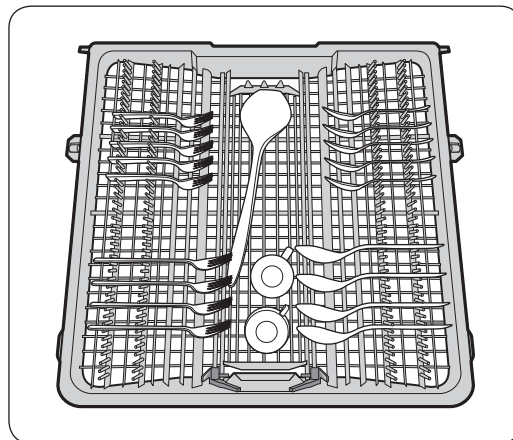
### ⚠ CAUTION

Do not adjust the level of the upper rack with the glass support propped up. This will make it impossible to adjust the upper rack.

## Loading the Flexible 3<sup>rd</sup> Rack™



Flex Deck Upper



Flex Deck Lower

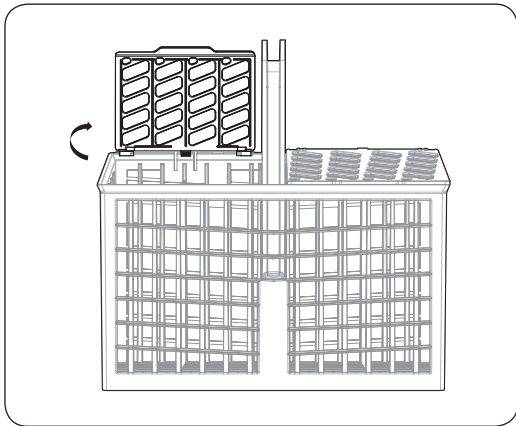
The cutlery rack is best suited for flatware and cooking or serving utensils. You can place cutlery and utensils randomly or regularly on the cutlery rack. Heavily soiled utensils or items with baked on foods should be placed in the lower cutlery rack for the most effective cleaning.

### Removing the Cutlery Rack

The entire cutlery rack can be removed if more space is needed on the upper rack for larger items.

# Using your dishwasher

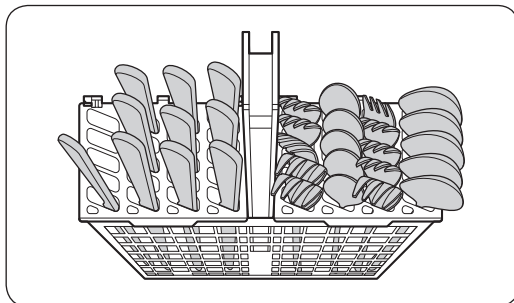
## Loading the Cutlery rack



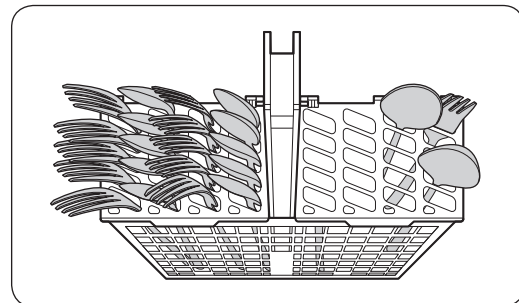
The cutlery rack consists of two compartments.

You can place each knife, spoon, or fork separately into the spoon stands in the basket's covers to prevent chipping and discoloration. See the illustrations below.

You can use the cutlery rack with the cover open. Refer to the illustration on the left.

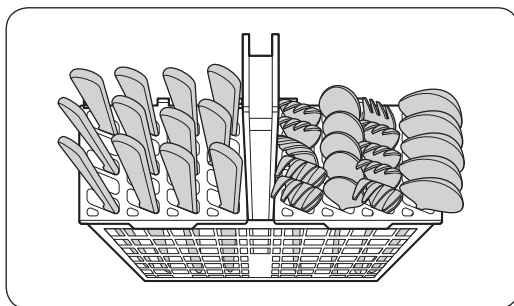


Left

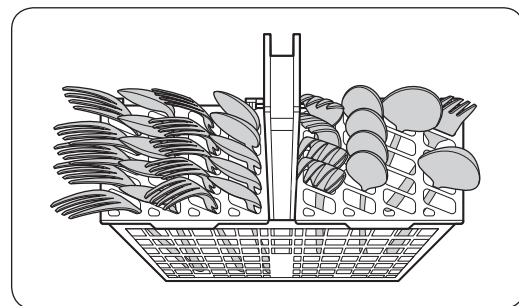


Right

10 place setting



Left

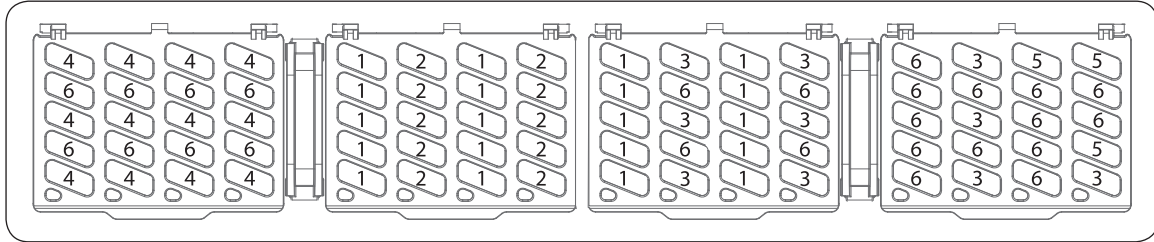


Right

12 place setting

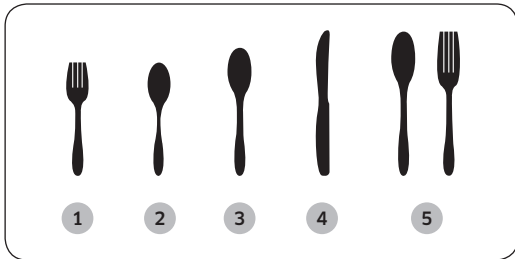


The spoon stands as seen from above with the suggested placement of cutlery items. Match the numbers in the diagram to the numbers in the list of cutlery items below.



**NOTE**

DO NOT let any item extend through the bottom.



1. Forks
2. Tea spoons
3. Dinner spoons
4. Knives
5. Serving spoons and Serving forks
6. Remaining items

# Using your dishwasher

## Detergent guidelines

All dishwasher cycles require detergent in the detergent compartment. Apply detergent as appropriate for the selected cycle to ensure best performance.

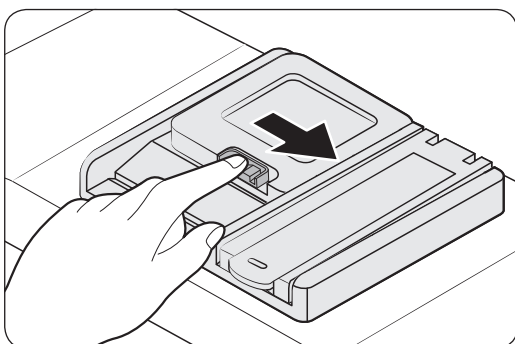
### ⚠ WARNING

- Do not consume dishwasher detergent. Avoid breathing in detergent fumes. Dishwasher detergent contains irritants and caustic chemicals that can induce respiratory conditions. If you have consumed dishwasher detergent or inhaled detergent fumes, seek medical attention immediately.
- Keep dishwasher detergent out of children's reach.

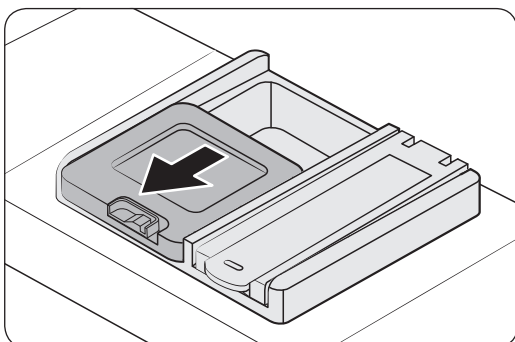
### ⚠ CAUTION

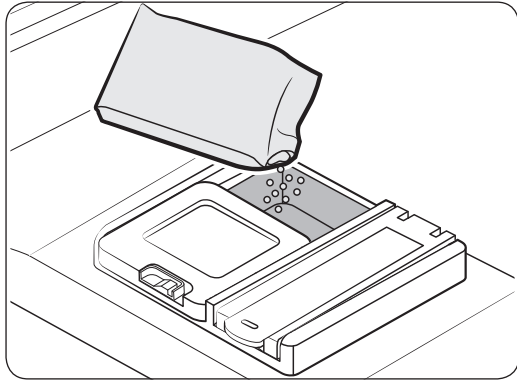
Use dishwasher detergent only. Other types of detergent produce excessive foam, which may decrease the dishwasher's performance or cause it to malfunction.

### To fill the detergent dispenser



1. Gently press the dispenser flap to unlock, and then slide it open. Note that the dispenser flap opens at the end of each cycle.

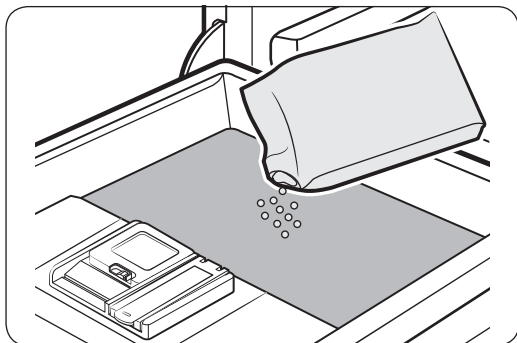
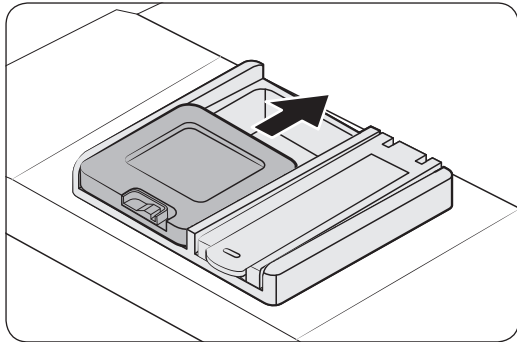




2. Apply the recommended amount of detergent to the main compartment.
3. Close the flap, and then press down to lock.

**NOTE**

This dishwasher has no separate compartment for tablet detergent.



4. For better performance, pour a small amount of detergent onto the door to clean heavily soiled items more effectively. The additional detergent will activate during the pre-wash process.

# Using your dishwasher

The cover opens automatically to dispense the detergent during the wash.

CYCLE	AMOUNT OF DETERGENT	
	Main wash dispenser	Onto the door for pre-wash
Auto, Normal	3/4 oz (20 g)	1/3 oz (10 g)
Heavy, Express 60	1 oz (30 g)	1/2 oz (15 g)
Delicate	3/4 oz (20 g)	1/5 oz (5 g)

## NOTE

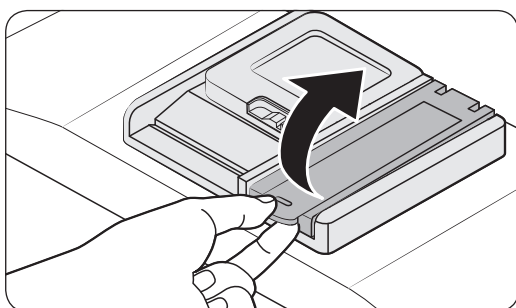
The numbers inside the dispenser refer to grams.

## Rinse aid

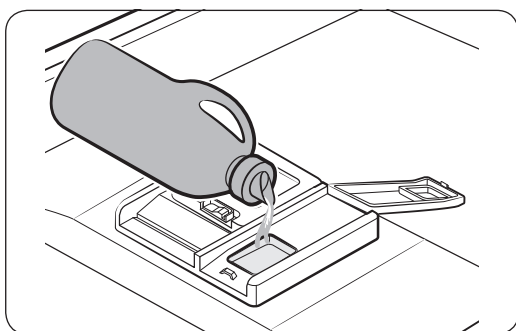
Rinse aid improves the drying performance of the dishwasher. When the Rinse Refill indicator lights up on the control panel, refill with rinse aid. Only use liquid rinse aid. Powdered rinse aid will clog the compartment opening and cause the dishwasher to malfunction.

## CAUTION

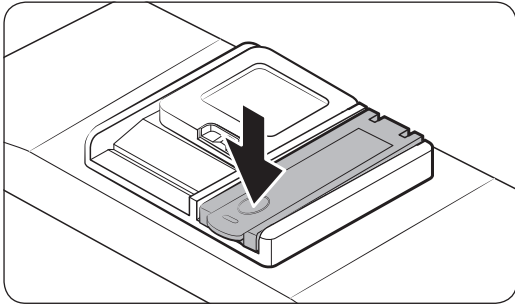
- Do not apply any type of detergent to the rinse aid compartment.
- Do not over fill the compartment. Excessive rinse aid may overflow during a cycle.



1. Pull up the cap of the rinse aid compartment to open.



2. Fill the compartment with rinse aid as specified by the rinse aid manufacturer.



3. Press down the circle area of the cap to close.

### Rinse aid amount

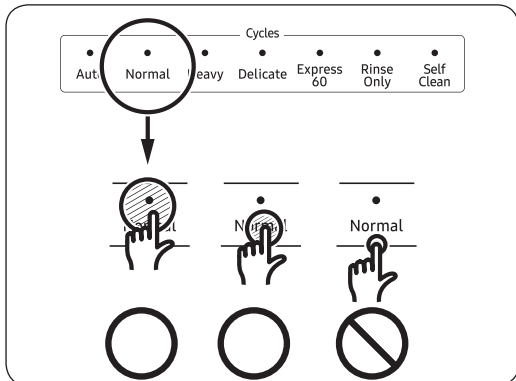
Press **Sanitize** until 'F1~F6' is displayed. The higher the number, the more rinse aid the dishwasher uses. To improve drying performance, select a higher number.

If your dishes appear discolored after a wash, switch to a lower number.

The factory default level is 'F4'.

### Touchpad responsiveness

To prevent the touch-enabled controls from losing responsiveness, follow these instructions.



- Touch the center of each button with one finger.
- Do not touch more than one button at a time, except as directed.
- Clean the surface of the control panel regularly with a soft, damp cloth.

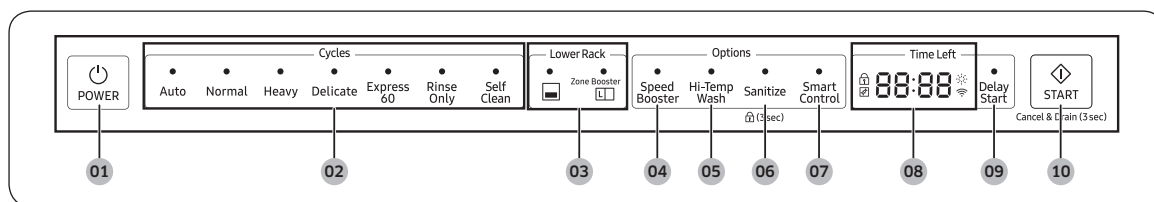
# Operations

## ⚠ WARNING



To reduce the risk of fire, electric shock, or injury to persons, read the IMPORTANT SAFETY INSTRUCTIONS before operating this appliance.

## Control panel

### DW80R9950 Series



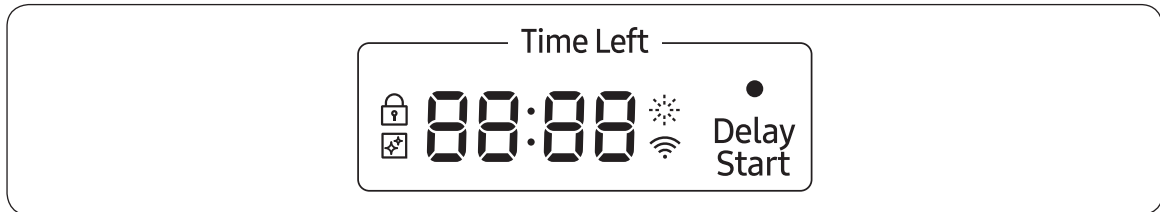
<p><b>01 POWER</b></p>	<p>When you press the <b>POWER</b> button, the Cycle On light for the most recently started cycle turns on. When the selected cycle is complete, the dishwasher powers off automatically.</p>
<p><b>02 Cycle Selector</b></p>	<p>Select the appropriate wash cycle depending on the soil level of your dishes. After you select a cycle, the Cycle On light for that cycle lights.</p> <p>If you want to change the cycle once it has started, press the <b>POWER</b> button. Then, turn on the dishwasher again and select a new cycle.</p>
<p><b>03 Lower Rack</b></p>	<p>If selected, only the lower rack nozzle is activated to reduce both the cycle time and power consumption. Use this cycle to wash a small load of dishes or glasses in the lower rack. To wash heavily soiled items, select the <b>Zone Booster</b> option.</p> <p><b>NOTE</b></p> <p>If you want to wash heavily soiled items such as pots and pans, select the <b>Zone Booster</b> option. (This option consumes slightly more water and energy.)</p> <p>The <b>Zone Booster</b> option applies intensive washing power to the left part of the lower rack. Selecting the <b>Zone Booster</b> option does not turn off the Upper Nozzle.</p>
<p><b>04 Speed Booster</b></p>	<p>Select this option to reduce washing time.</p>
<p><b>05 Hi-Temp Wash</b></p>	<p>Raises the main wash temperature to improve cleaning for loads containing tough, baked-on food.</p>





<p><b>06 Sanitize /  (3sec) (Control Lock)</b></p>	<p>With the <b>Sanitize</b> option selected, the water temperature is increased to 163 °F (73 °C) in the final rinse cycle for high temperature sanitization.</p> <p>If you select the <b>Sanitize</b> option, the "Sanitize" lamp blinks when the water temperature reaches the sanitary temperature (over 155 °F (68 °C)), and then remains illuminated until the <b>Sanitize</b> option ends. When you open the door or press the <b>POWER</b> button, the "Sanitize" lamp turns off.</p> <p> <b>NOTE</b></p> <p>The Sanitize feature operates in accordance with NSF/ANSI Standard 184 for Residential Dishwashers. Certified residential dishwashers are not intended for licensed food establishments. Your dishwasher is NSF Certified.</p> <p>Only the <b>Heavy</b> cycle with the <b>Sanitize</b> option has been designed to meet the requirements for soil removal and sanitization efficacy in NSF 184.</p> <p><b>Control Lock</b> allows you to lock the buttons on the control panel so children cannot accidentally start the dishwasher by pressing the buttons on the panel.</p> <p>To lock and unlock the buttons on the control panel, hold the <b>Sanitize</b> button down for three (3) seconds when the power is On.</p>
<p><b>07 Smart Control</b></p>	<p>You can monitor and control the dishwasher remotely through a Wi-Fi connection. To connect the dishwasher to your smart phone for the first time, press and hold <b>Smart Control</b>. For more information, see the "SmartThings" section on page 37.</p>
<p><b>08 Display</b></p>	<p>Displays information about the current cycle including the cycle time, remaining time, Delay Start settings, and other cycle-specific information.</p> <p>If a problem occurs during operation, an information code appears with a warning sound. Refer to the information codes on pages 51 and 52.</p>

# Operations

<p><b>09 Delay Start</b></p>	<p>Delay a cycle for up to 24 hours in one-hour increments. To increase the delay start time, press or hold the <b>Delay Start</b> button. The hour displayed indicates the time at which the wash will start.</p> <ul style="list-style-type: none"> <li>- After setting the delay time, press the <b>START</b> button, and then close the door to start the cycle.</li> <li>- If you want to change the delay time once the dishwasher has started, press the <b>Cancel</b> button and turn off the dishwasher. Then, turn on the dishwasher again and select a new cycle with a new delay setting.</li> </ul>
<p><b>10 START</b></p>	<p>To start a cycle, press the <b>START</b> button before closing the door.</p> <p><b>Cancel &amp; Drain:</b> To cancel a currently running cycle and drain the dishwasher, press and hold the <b>START</b> button for three (3) seconds.</p> <p>Once the dishwasher is reset, select a cycle and option, and then press <b>START</b> to restart the dishwasher.</p>

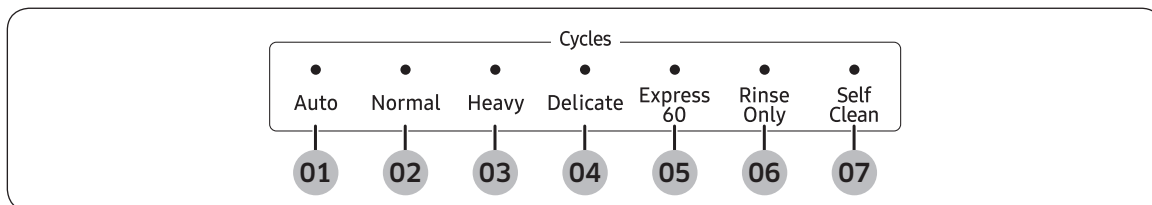
## Indicators



<p>Control Lock indicator</p>		<p>Lights up if Control Lock is activated, and blinks if any button except for the <b>POWER</b> button is pressed.</p>
<p>Self Clean indicator (applicable models only)</p>		<p>Lights up if Self Clean is activated, and blinks for 5 seconds every 20-22 cycles. The cycle counter disappears when the Self Clean cycle is complete, or the dishwasher reaches the 23<sup>rd</sup> cycle.</p>
<p>Rinse Refill indicator</p>		<p>Lights up if the dishwasher runs out of rinse aid.</p>
<p>Smart Control</p>		<p>Lights up if <b>SmartThings</b> is activated.</p>



## Cycle overview



<b>01 Auto</b>	This cycle detects the level of soil and automatically initiates the optimal cycle after a few minutes of operation.
<b>02 Normal</b>	Use this cycle for normally soiled dishes. The energy-usage label is based on this cycle.
<b>03 Heavy</b>	Use this cycle for heavily soiled dishes.
<b>04 Delicate</b>	Use this cycle for soiled, fragile items such as fine glassware and crystal glass (wine glass). Do not use this cycle for other glassware because clouding or etching may occur.
<b>05 Express 60</b>	Use this cycle when you need to wash dishes quickly. It takes about 1 hour.
<b>06 Rinse Only</b>	Use for rinsing dishes, glasses, and silverware that will not be washed right away. Do not use detergent.
<b>07 Self Clean</b>	Use the Self Clean function to clean the dishwasher's tub. If the dishwasher needs self cleaning, the Self Clean indicator will blink for 5 seconds when you turn the power on. If you start the dishwasher when the indicator is blinking, the indicator will turn off automatically. Always run the Self Clean cycle with the dishwasher empty. Never use it as a wash cycle to clean dishes.

# Operations

---

## Simple steps to start your dishwasher

---

1. Open the door, and then load the dishwasher. Make sure dishes are empty.
2. If applicable, put the dishes in the lower rack. If adding the **Zone Booster** option, put the dishes in the left side of the lower rack.
3. Add detergent to the detergent dispenser. For better results, add rinse aid to the rinse aid compartment.

### **NOTE**

You should use rinse aid for better drying performance. You can further improve drying performance by also selecting the **Sanitize** option.

4. Press **POWER**, and then select a cycle with necessary options (Lower Rack, Zone Booster, Speed Booster, Hi-Temp Wash, Sanitize).  
If you change the cycle after selecting an option, the original cycle is reset.
5. Press **START**, and then close the door within 3 seconds. The dishwasher starts the cycle after draining for a few seconds.

### **NOTE**

- To change the cycle after it has started, press and hold **START** for 3 seconds to cancel the cycle. Then, select a new cycle.
- To resume after you have opened the door to stop the dishwasher while operating, simply press **START** first, and then close the door.

---

## Settings

---

You can change the sound, Auto Release™ Dry alert, Rinse aid amount, and Auto Release™ Dry settings to your preference. To change the settings, press the **Sanitize** and **Delay Start** buttons simultaneously for 3 seconds. Press **Sanitize** to navigate through the sub menus, and then press **Delay Start** to confirm your changes.



### Sound

Press **Sanitize** until 'U1' or 'U0' is displayed. To mute the dishwasher, select 'U0', and then press **Delay Start**. To unmute, select 'U1', and then press **Delay Start**.

### Auto Release™ Dry alert

You can enable or disable the setting that alerts you when the door opens to start the Auto Release™ Dry function.

Press **Sanitize** until 'J1' or 'J0' is displayed. To disable the Auto Release™ alert, select 'J0', and then press **Delay Start**. To enable, select 'J1', and then press **Delay Start**.

### Rinse aid amount

Press **Sanitize** until 'F1~F6' is displayed. The higher the number, the more rinse aid the dishwasher uses. To improve drying performance, select a higher number.

If your dishes appear discolored after a wash, switch to a lower number.

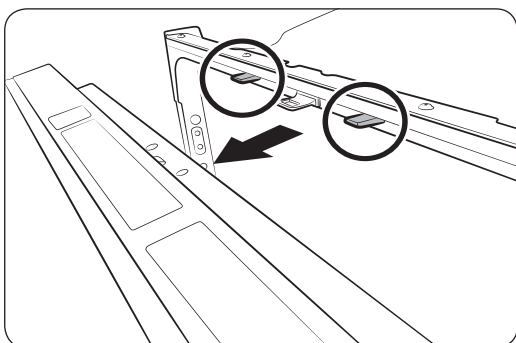
The factory default level is 'F4'.

# Operations

## Auto Release™ Dry

The Auto Release™ Dry function, which is designed to improve drying performance, automatically opens the dishwasher's door 5 to 15 minutes before a cycle ends.

You can enable or disable Auto Release™ Dry in two ways: Using the Setting Mode or using the toggle keys. Both methods are described starting below.



Press **Sanitize** until “A1” or “A0” is displayed. Then, press **Delay Start** to enable (A1) or disable (A0) Auto Release™ Dry.

### Using the Toggle Keys :

Press the **Lower + Hi-Temp Wash** button for 3 seconds to enable (A1) or disable (A0) Auto Release™ Dry.

### NOTE

- Once the door opens on the Auto Release™ Dry mode, the door cannot be closed manually for the next 2 minutes.
- Disabling (A0) “Auto Release™ Dry” can affect the drying results. Enable (A1) “Auto Release™ Dry” for better drying result.
- After a cycle is complete, the door automatically opens to let steam out. This is normal and not a product malfunction.

---

## SmartThings

---

### Wi-Fi connection

On your smartphone, go to **Settings**, and then connect to your home Wi-Fi network.

### Download

On an app market (Google Play Store, Apple App Store, Samsung Galaxy Apps), find the SmartThings app using “SmartThings” as the search term. Download and install the app on your device.

#### NOTE

- The SmartThings app is designed for Android 6.0 (Marshmallow) or later, iOS 10.0 or later, iPhone 6 or later, and is optimized for Samsung smartphones (Galaxy S and Galaxy Note series).
- For improved performance, the SmartThings app is subject to change without notice, or discontinued support according to the manufacturer’s policy.

### Log in

You must first log into SmartThings using your Samsung account. To create a new Samsung account, follow the instructions on the app. You don’t need a separate app to create your account.

#### NOTE

If you have a Samsung account, use the account to log in. A registered Samsung smartphone user automatically logs in.

### To register your device to SmartThings

1. Make sure your smartphone is connected to a wireless network.
2. Run **SmartThings** on your smartphone. iPhone users are required to provide the login information each time they access the app.
3. When a message of “A new device is found.”, select **Add**.
4. If no message appears, select + and then select your dishwasher in a list of devices available. If your dishwasher is not listed, select **Device Type > Specific Device Model**, and then add your dishwasher manually.
5. Follow the on screen instructions to complete the connection process for your dishwasher. Press and hold **Smart Control** for more than 5 seconds until the “AP” message appears on the display. Your dishwasher will be registered with the app.
6. When the process is complete, your dishwasher will appear in the list of devices on your SmartThings App.
7. Tap the dishwasher icon to open the dishwasher page.
8. When a network connection is established, the Wi-Fi icon lights up on your dishwasher.

# Operations

---

## Dishwasher app

Integrated control: You can monitor and control your dishwasher both at home and on the go.

- Select the dishwasher icon on SmartThings. The dishwasher page appears.
- Check the operation status or notifications related to your dishwasher, and then change options or settings if necessary.

### NOTE

- This device is designed for household use only (Class B), and can be used in all residential areas.
- This device may cause wireless interference, and neither the manufacturer or the installer of this device can provide a safety measure of any kind.
- Recommended encryption methods are WPA/TKIP and WPA2/AES. Newly developed Wi-Fi protocols or unapproved Wi-Fi protocols are not supported.
- The reception sensitivity of a wireless network may be affected by surrounding wireless environments.
- If your Internet provider has registered the MAC address of your PC or the modem module for permanent use, your Samsung dishwasher may fail to connect to the Internet. If this is the case, contact your Internet provider.
- The Internet firewall may interrupt your Internet connection. If this happens, contact your Internet provider.
- If your dishwasher still fails to connect to the Internet after you have followed the instructions of your Internet provider, contact a local Samsung retailer or service center.
- To install and set up your wired or wireless router, refer to the user manual that came with your router.
- Your Samsung dishwasher supports the Wi-Fi 2.4 GHz protocols.
- Your Samsung dishwasher supports the IEEE802.11 b/g/n (2.4 GHz), Soft-AP protocols. (IEEE802.11n is recommended)
- An unapproved wired/wireless router may fail to connect to your Samsung dishwasher.
- The SmartThings app is available on third-party devices with Android OS 6.0 (Marshmallow) or higher, Samsung devices with Android OS 5.0 (Lollipop) or higher, and iOS devices with iOS 10.0 or higher (For iPhones, you must have an iPhone 6 or higher). The app is optimised for Samsung smartphones (Galaxy S and Note series).
- Some functions of the app may operate differently on third-party devices.
- The app is subject to change without notice for improved performance.

## SmartThings

Category	Checkpoint	Description
Monitoring	Washing status	You can check the current cycle and its options, and the remaining cycle time.
	Smart Control	The Smart Control status is shown for the dishwasher.
	Energy monitoring	Use this to monitor the energy consumption status.
Control	Start/Pause/Cancel	Select a cycle and necessary options, and then select Start/Pause/Cancel to start an operation, to stop temporarily, or to cancel the current operation.
	My Favorite	Add frequently used cycles and options to My Favorite for later use.
	Delay Start	Set Delay Start to start the cycle at a scheduled time. (Delay up to 24 hours.)
Notification	Cycle completed	Notifies you that the current cycle is complete.
	Detergent	Notifies you if the dishwasher is out of rinse aid.
Washing Recipe	Cycle recommendation	Recommends the best cycle with optimal options for loaded dishes.
Homecare Wizard	Maintenance	The wizard features a device management service, energy monitoring, a dishwasher diary, and a usage guide.

# Operations

---

## Special features

---

### Delay Start

You can delay the cycle starting time up to 24 hours in 1-hour increments. To increase the delay time, press **Delay Start**. The hour displayed indicates the time at which the cycle will start.

1. Open the door, and then load the dishwasher.
2. Press **Delay Start**, and then press or hold **Delay Start** to change the time in 1-hour increments.
3. Close the door, and then press **START**.

#### **NOTE**

To change the delay time once the dishwasher has started, press **POWER** and then restart the dishwasher.

### Touch Controls

Touch controls allow you to operate the dishwasher easily.

- They are convenient to operate, requiring only a soft touch.
- Have a simple and stylish design.
- Are easy to clean.

#### **NOTE**

If you have children or you want to clean the Control Interface, we recommend activating the Control Lock feature to lock the control buttons.

### Control Lock

To prevent children from playing with the dishwasher, Control Lock locks all button controls except for **POWER**.

- To activate Control Lock, press and hold **Sanitize** for 3 seconds. With Control Lock activated, you cannot select a cycle or option, or start an operation.
- To deactivate Control Lock, press and hold **Sanitize** again for 3 seconds.
- Control Lock remains active after the dishwasher restarts. To cancel Control Lock, you must deactivate it first.



# Maintenance

## Cleaning

Keep the dishwasher clean to improve performance, reduce unnecessary repairs, and lengthen its lifecycle.

### Exterior

Clean spills on the surface of the dishwasher as they occur. Use a soft, damp cloth on the control panel to gently wipe away spills and dust.

#### ⚠ CAUTION

- Do not use benzene, wax, thinner, chlorine bleach, alcohol, or other chemical substances. These materials may discolour the surface of the dishwasher and cause stains.
- The dishwasher has electric parts inside. Do not sprinkle water directly onto the dishwasher. Protect electrical components from coming in contact with water.
- For a stainless-steel door panel, clean using a stainless steel cleaner for home appliances and a clean, soft cloth.

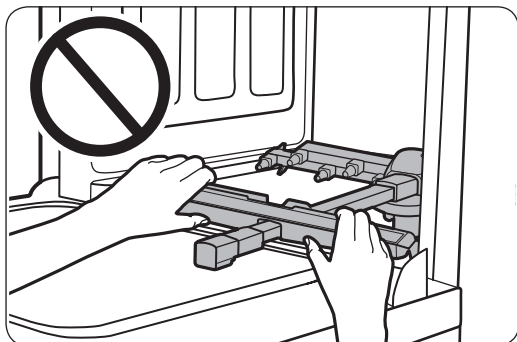
### Interior

Clean the interior of the dishwasher on a regular basis to remove any dirt or food particles. Wipe inside the dishwasher and inside the door with a wet dishcloth. To maintain optimum cleanliness, we recommend running the Self Clean cycle periodically with the dishwasher empty.

To keep the cutlery pad clean, turn it over after each use. To remove white spots and odors from the cutlery pad, run the Self Clean cycle with the dishwasher empty and no detergent until the cutlery pad flushes. Then, stop the cycle and put an 8-ounce cup of white vinegar into the lower basket. Close the door, and then resume the cycle.

#### ⚠ CAUTION

Do not remove the front seal (the long rubber seal enclosing the opening of the dishwasher). The seal keeps the inner side of the dishwasher sealed.



Use a damp cloth to remove lime scale or grease deposits inside the dishwasher. Alternatively, apply some detergent, and then run an empty cycle using the highest rinse temperature.

#### ⚠ CAUTION

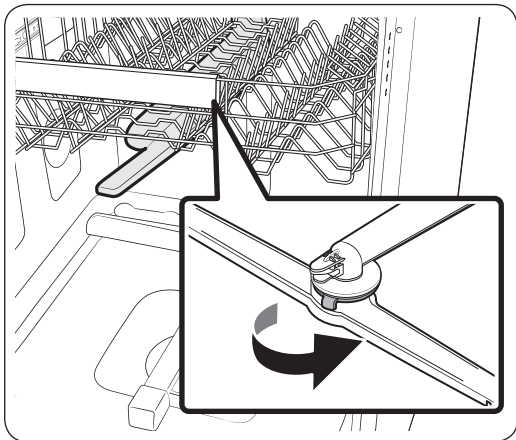
To avoid damaging the motor, use caution when manually moving the water reflector.

# Maintenance

## Nozzles

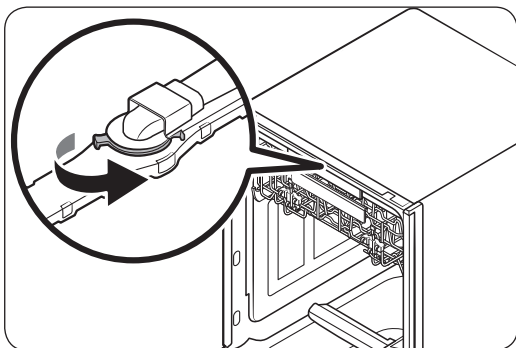
To prevent the nozzles from being clogged, or if the nozzles are clogged, remove and clean each nozzle. Use caution when removing the nozzles as they may break.

### Upper nozzle



1. Open the door, and then pull out the upper rack to reveal the upper nozzle.
2. Turn counter clockwise to remove the nozzle cap, and then remove the nozzle.
3. Unclog and clean the nozzle.
4. Reinsert the nozzle, and then tighten the cap clockwise.
5. Rotate the nozzle by hand to make sure the nozzle is engaged correctly.

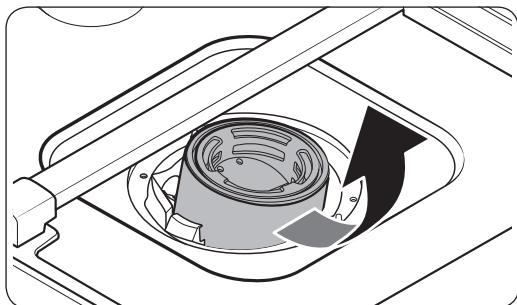
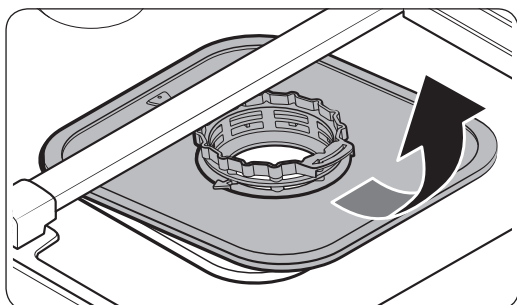
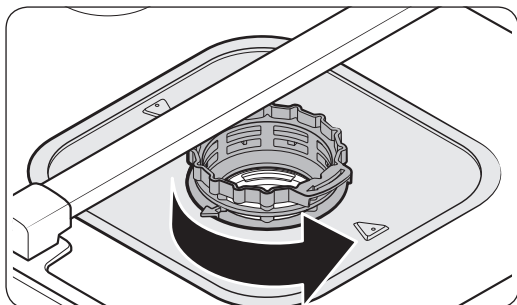
### Top nozzle



1. Check whether the nozzle holes are clogged by food particles.
2. If cleaning is needed, remove the top nozzle.
3. To remove the top nozzle, pull out the upper rack first, unfasten the nozzle cap by turning it counterclockwise, and then remove the nozzle.
4. Clean the nozzle, re-insert it, and then fasten the nozzle cap to the nozzle by turning the cap clockwise.
5. Check whether the nozzle is engaged correctly by rotating it by hand.

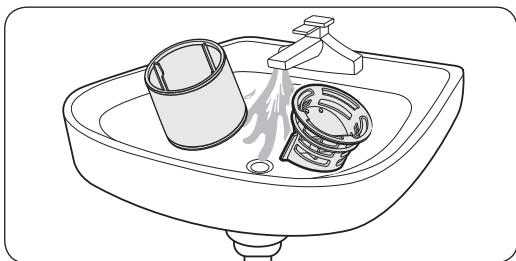
## Filter

We recommend cleaning the filter every month.

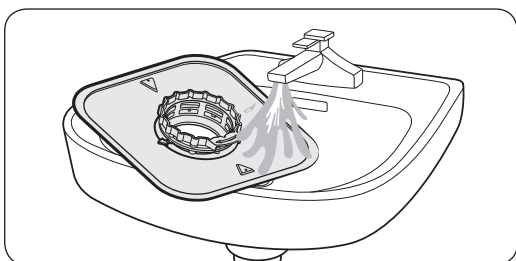


1. Open the door, and then remove the lower rack.
2. Turn the filter handle counterclockwise to unlock the filter cover.
3. Remove the filter cover, and then the cylindrical micro filter underneath.

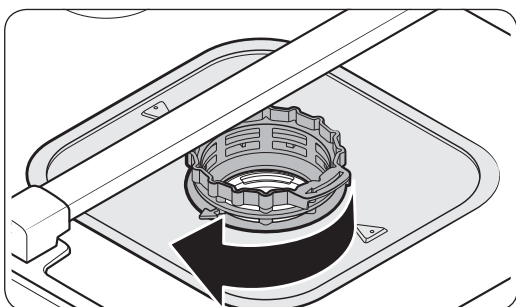
# Maintenance



4. Remove any dirt and impurities from the micro filter and the filter cover.
5. Rinse them with running water, and then dry well.



6. Reinsert the filter, and then the filter cover.
7. Turn the filter handle clockwise to lock.



## ⚠ CAUTION

Make sure the filter cover is closed properly. A loose cover can reduce the filtering performance.

## Long-term care

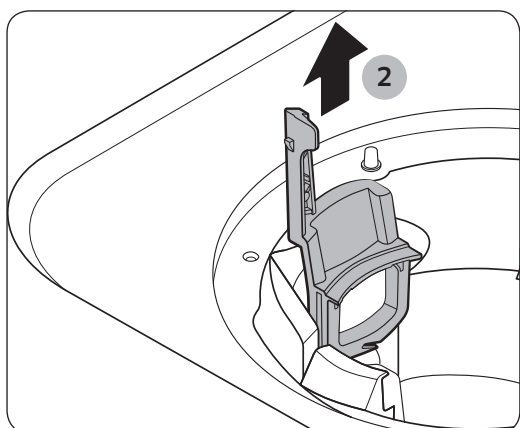
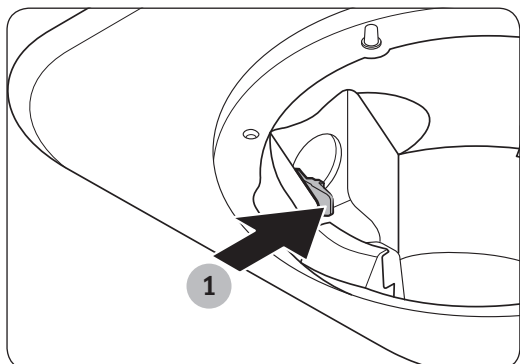
If you will not use the dishwasher for an extended period of time, first drain the unit completely, and then disconnect the water hose. Shut off the water supply valve and the circuit breaker. Water remaining in the hoses or the internal components can damage the dishwasher.

---

## Cleaning the drain pump

---

If the dishwasher fails to drain because the drain pump is clogged with foreign matter or there is an abnormal noise coming from the drain pump, you must unclog and clean the drain pump as instructed below.



1. Remove the lower rack.
2. See the "Filter" section to remove the cylindrical micro filter.
3. Remove any moisture from the filter using a sponge.
4. Remove the drain-pump cover by pushing its handle in the direction of the arrow (1), and then pulling up (2).
5. Check the impeller to see if it's in good condition. Then, remove any foreign matter from the pump.
6. Reinsert the drain-pump cover and then press down until you hear a click.

---

## Storing your dishwasher

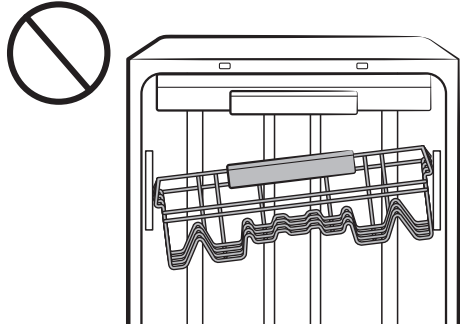
---

If you need to store your dishwasher for an extended period of time, first drain and disconnect it. If you leave water in the hoses and internal components, you can damage the dishwasher.

After draining and disconnecting the dishwasher, be sure to turn off the water supply valve and circuit breaker.

# Troubleshooting

## Check these solutions if your dishwasher...

Problem	Possible cause	Solution
Will not start.	The door is not closed completely.	<ul style="list-style-type: none"> <li>Check if the door is latched and closed completely. Check whether the Upper Rack is properly joined to the Duct Nozzle.</li> <li>Also, check if the Upper Rack is crooked or unbalanced.</li> </ul> 
	The <b>START</b> button was not pressed.	<ul style="list-style-type: none"> <li>See the information code that appears on the display.</li> </ul>
	Doesn't operate at all.	<ul style="list-style-type: none"> <li>Make sure the power cable is connected properly.</li> </ul>
	The water supply does not work.	<ul style="list-style-type: none"> <li>Check if the water supply valve is open.</li> </ul>
	The Control Panel is locked.	<ul style="list-style-type: none"> <li>Unlock the Control Lock, (See page 31.)</li> </ul>
	A circuit breaker is open.	<ul style="list-style-type: none"> <li>Reset the circuit breaker.</li> </ul>
An operation or cycle is taking too long.	The dishwasher is connected to a cold water supply.	<ul style="list-style-type: none"> <li>Check if the water supply line is connected to a cold water supply. To work properly, the dishwasher must be connected to a hot water supply. (If connected to a cold water supply, additional time is required to heat the cold water.)</li> </ul>

Problem	Possible cause	Solution
There are food particles remaining on dishes. (Not cleaning properly.)	The cycle selected was unsuitable.	<ul style="list-style-type: none"> <li>Select a cycle according to the number and soil level of the dishes, as directed in this manual.</li> </ul>
	The water temperature is low.	<ul style="list-style-type: none"> <li>Connect the water supply line to a hot water supply. For best performance, the temperature of the supplied water should be 120 °F (49 °C).</li> </ul>
	Low water pressure.	<ul style="list-style-type: none"> <li>The water pressure should be between 20 and 120 psi (140-830 kPa).</li> </ul>
	The water is too hard.	<ul style="list-style-type: none"> <li>Use a commercial dishwasher cleaner.</li> <li>Use high-quality, fresh detergent with rinse aid.</li> </ul>
	Dishwasher detergent was not used.	<ul style="list-style-type: none"> <li>Use automatic dishwasher detergent.</li> <li>We recommend a powder type or multi-function tablet dishwasher detergent.</li> </ul>
	Detergent remains in the dispenser.	<ul style="list-style-type: none"> <li>Make sure large items such as cookie sheets, cutting boards, or containers, etc. are not blocking the detergent dispenser and preventing it from opening properly.</li> <li>Rearrange the dishes so they do not interfere with detergent dispenser operation.</li> </ul>

# Troubleshooting

Problem	Possible cause	Solution
There are food particles remaining on dishes. (Not cleaning properly.)	There is no rinse aid.	<ul style="list-style-type: none"> <li>• Check the dispenser and add rinse aid.</li> <li>• Use liquid type rinse aid.</li> </ul>
	A nozzle is clogged.	<ul style="list-style-type: none"> <li>• Clean the nozzle. See page 42.</li> </ul>
	The dishes are improperly loaded. Too many dishes have been loaded.	<ul style="list-style-type: none"> <li>• Rearrange the dishes so they do not interfere with nozzle rotation and detergent dispenser operation.</li> <li>• Load only an appropriate number of dishes.</li> <li>• Load your dishes as recommended. (See page 21.)</li> <li>• Load the heavily soiled items onto the Zone Booster area. (See page 21)</li> </ul>
	The filters are clogged or not correctly fastened. (Food soils remain on the filter.)	<ul style="list-style-type: none"> <li>• Scrape food from dishes prior to loading. (Do not pre-rinse.)</li> <li>• Clean the filter. (See page 43.)</li> <li>• Make sure the filters are correctly fastened.</li> </ul>
Leaves glasses with a light film.	The water supplied is soft and too much detergent was used.	<ul style="list-style-type: none"> <li>• Underload the dishwasher and use a rinse aid to minimize this.</li> </ul>
	Aluminum dishes were included in the wash load.	<ul style="list-style-type: none"> <li>• Remove the marks on the dishes using a low sensitivity cleaner.</li> </ul>
Leaves a yellow or brown film on the inside of the dishwasher.	This is caused by coffee and tea soils.	<ul style="list-style-type: none"> <li>• Remove the soils using a spot cleaner.</li> <li>• Use a cycle with a higher temperature.</li> </ul>



Problem	Possible cause	Solution
Does not dry dishes well.	There is no rinse aid in the dispenser or not enough rinse aid was used.	<ul style="list-style-type: none"> <li>• Check the dispenser and add rinse aid.</li> <li>• Use a liquid type rinse aid.</li> <li>• Check the rinse aid settings.</li> </ul>
	The temperature of the water is low when the dishwasher is running.	<ul style="list-style-type: none"> <li>• Connect the water supply line to a hot water supply.</li> <li>• Use rinse aid with the <b>Sanitize</b> option.</li> </ul>
	Too many dishes have been loaded.	<ul style="list-style-type: none"> <li>• Proper loading of items can affect drying.</li> <li>• Load your dishes as recommended. (See page 21.)</li> </ul>
	Glasses and cups with concave bottoms hold water. This water may spill onto other items when you unload.	<ul style="list-style-type: none"> <li>• After finishing the cycle, empty the lower rack first and then the upper rack. This will prevent water dripping from the upper rack onto the dishes in the lower rack.</li> </ul>
	Auto Release™ is turned off.	<ul style="list-style-type: none"> <li>• Turn Auto Release™ Dry on. Press the <b>Lower + Hi-Temp Wash</b> button for 3 seconds to access the Auto Release™ menu. Select "A1" to activate Auto Release™ Dry.</li> </ul>
	Multiple detergent tablets were used without selecting the <b>Sanitize</b> option.	<ul style="list-style-type: none"> <li>• Select the <b>Sanitize</b> option or use rinse aid.</li> </ul>

# Troubleshooting

Problem	Possible cause	Solution
Has a bad odor.	Water was left over from an incomplete cycle.	<ul style="list-style-type: none"> <li>Clean the dishwasher by running the <b>Self Clean</b> cycle with the dishwasher empty and no detergent.</li> </ul>
	The Drain Hose is obstructed.	<ul style="list-style-type: none"> <li>Contact a qualified service technician to remove any obstruction from the drain hose.</li> </ul>
	The dishwasher is not used daily or soiled dishes are left in unit too long.	<ul style="list-style-type: none"> <li>With the dishwasher empty and no detergent, place a glass with 8 ounces of vinegar upright into the lower rack, and then run a <b>Self Clean</b> cycle.</li> </ul>
Is too noisy.	Sound is generated when the dispenser cover is open and the drain pump is operating in an early stage.	<ul style="list-style-type: none"> <li>This is normal operation.</li> </ul>
	The dishwasher is not level.	<ul style="list-style-type: none"> <li>Ensure the dishwasher is level.</li> </ul>
	Foreign material (a screw, a plastic piece) is in the pump chamber.	<ul style="list-style-type: none"> <li>Contact a qualified service technician to remove foreign material from the pump chamber.</li> </ul>
	There is a 'chopping' sound because a nozzle is bumping against the dishes.	<ul style="list-style-type: none"> <li>Rearrange the dishes.</li> </ul>
Does not have a smoothly rotating nozzle.	Nozzle holes are clogged with food particles.	<ul style="list-style-type: none"> <li>Clean the nozzle holes. (See page 42.)</li> </ul>
	The nozzle is blocked by a dish or pot and cannot rotate.	<ul style="list-style-type: none"> <li>After placing the dishes into the racks, rotate the nozzles by hand to check whether any of the dishes interfere with them.</li> </ul>
Water won't pump out of the dishwasher.	The drain is clogged.	<ul style="list-style-type: none"> <li>Clean the drain pump by removing the drain-pump cover. (See page 45.)</li> </ul>
Has a bent upper rack after dishes are loaded.	The dishes are not loaded properly.	<ul style="list-style-type: none"> <li>Load your dishes as recommended. (See page 21.)</li> </ul>



Problem	Possible cause	Solution
Cannot close the door.	Auto Release™ Dry mode is in operation.	<ul style="list-style-type: none"> <li>Once the door opens in the Auto Release™ Dry mode, the door cannot be closed manually for the next 2 minutes. You may close the door after 2 minutes.</li> </ul>
Cannot start Smart Control.	The device registration is not finished.	<ul style="list-style-type: none"> <li>Finish the device registration. (See page 37.)</li> </ul>
	The door is not closed within 3 seconds of pressing <b>Smart control</b> .	<ul style="list-style-type: none"> <li>Push the door closed firmly within 3 seconds of pressing <b>Smart Control</b>.</li> </ul>

## Information codes

The Control Panel displays information codes to help you understand what is occurring with your dishwasher.

Code	Action
LC	<p><b>Leakage check.</b></p> <ul style="list-style-type: none"> <li>If a water supply valve connection leak occurs, close the water supply valve and go to your house circuit breaker panel, set the dishwasher's circuit breaker switch to off, and then contact the installer to fix. If the problem continues, contact an authorized Samsung service center.</li> </ul>
4C	<p><b>Water supply check.</b></p> <ul style="list-style-type: none"> <li>Check if the water supply valve is closed, the water supply is suspended, or the water inlet valve or line is frozen or clogged by foreign particles. If the problem continues, close the water supply valve, and then contact an authorized Samsung service center.</li> </ul>
5C	<p><b>Drain check.</b></p> <ul style="list-style-type: none"> <li>After closing the water supply valve, check whether the drain hose is clogged or folded. Also, check whether the drain hole inside the sump is clogged. If the problem continues, contact an authorized Samsung service center.</li> </ul>
HC	<p><b>High temperature heating check.</b></p> <ul style="list-style-type: none"> <li>Functional check. With the dishwasher empty, add detergent, and then run a cycle. If the problem continues, go to your house circuit breaker panel, set the dishwasher's circuit breaker switch to off, and then contact an authorized Samsung service center.</li> </ul>



# Troubleshooting

---

Code	Action
3C	<b>Pump operation check.</b> <ul style="list-style-type: none"><li>• Functional check. Turn off the dishwasher and try to start it again. If the problem continues, contact an authorized Samsung service center.</li></ul>
PC	<b>Zone wash function check.</b> <ul style="list-style-type: none"><li>• Functional check. Turn off the dishwasher and try to start it again. If the problem continues, contact an authorized Samsung service center.</li></ul>
AP	<b>Connect with smart phone.</b> <ul style="list-style-type: none"><li>• When the control panel displays <b>AP</b>, press and hold <b>Smart Control</b> on the control panel to connect your dishwasher with your smart phone.</li><li>• When you select <b>Smart Control</b>, <b>AP</b> blinks for 3 seconds.</li><li>• When you go to the WiFi settings for connectivity, the control panel displays <b>AP</b>.</li></ul>

For any codes not listed above, call 1-800-SAMSUNG (726-7864).

# Cycle chart

Cycle		Auto	Normal	Heavy
Cycle sequence		Prewash ▶ Mainwash ▶ Rinse ▶ Hot Rinse ▶ Dry ▶ End	Prewash ▶ Mainwash ▶ Rinse ▶ Hot Rinse ▶ Dry ▶ End	Prewash ▶ Mainwash ▶ Rinse ▶ Hot Rinse ▶ Dry ▶ End
Temp [°F (°C)]	Main wash	122-140 (50-60)	113-144 (45-62)	149 (65)
	Hot Rinse *Sanitize 163 °F (73 °C)	145-154 (63-68)	129-149 (54-65)	154 (68)
Water consumption [gal (ℓ)]		4.1-5.3 (15.6-19.9)	2.5-5.7 (9.6-21.4)	5.6 (21.3)
Cycle time (min)		110-136	130-148	155
Available Options	Lower Rack	0	0	0
	Speed Booster	0	0	0
	Zone Booster	0	0	0
	Hi-Temp Wash	0	0	0
	Sanitize	0	0	0
	Delay Start	0	0	0

# Cycle chart

Cycle		Delicate	Express 60	Rinse Only
Cycle sequence		Prewash ▶ Mainwash ▶ Rinse ▶ Hot Rinse ▶ Dry ▶ End	Mainwash ▶ Rinse ▶ Hot Rinse ▶ Dry ▶ End	Rinse ▶ End
Temp [°F (°C)]	Main wash	122 (50)	126 (52)	
	Hot Rinse *Sanitize 163 °F (73 °C)	149 (65)	140 (60)	104 (40)
Water consumption [gal (ℓ)]		4.5 (17.0)	2.9 (11.1)	1.1 (4.1)
Cycle time (min)		112	60	14
Available Options	Lower Rack	0	0	0
	Speed Booster	0	X	X
	Zone Booster	X	0	X
	Hi-Temp Wash	X	0	X
	Sanitize	X	0	X
	Delay Start	0	0	0

- When you select the **Auto** or **Normal** cycle, running the **Prewash** and **Rinse** cycles depends on the soil level of the load.
- The water consumption and wash time varies depending on the steps or options you add, and on the pressure and temperature of the supplied water.
- When the Rinse Aid is empty, wash time and Last Rinse temperature can increase a little.

# Appendix

## Helping the environment

- Your dishwasher is manufactured from recyclable materials. If you decide to dispose of it, please observe local waste disposal regulations. Cut off the power cable so that the appliance cannot be connected to a power source.
- Remove the door so that animals and small children cannot get trapped inside the appliance.
- Do not exceed the detergent quantities recommended in the detergent manufacturers' instructions.

## Specifications

MODEL	DW80R9950**	
Type	Built-in Dishwasher	
Power	120 V / 60 Hz AC only, 15 A circuit breaker	
Wash capacity	15 place settings	
Used water pressure	20-120 psi (140-830 kPa)	
Rated power usage	Wash Motor	60-100 W
	Heater	1100 W
Dimensions (Width × Depth × Height)	23 $\frac{7}{8}$ x 25 x 33 $\frac{7}{8}$ in. (605 x 636 x 860 mm)	
Weight (Unpacked)	90 lb (43 kg)	

# Warranty (U.S.A)

## SAMSUNG DISHWASHER

### LIMITED WARRANTY TO ORIGINAL PURCHASER WITH PROOF OF PURCHASE

This SAMSUNG brand product, as supplied and distributed by SAMSUNG ELECTRONICS AMERICA, INC. (SAMSUNG) and delivered new, in the original carton to the original consumer purchaser, is warranted by SAMSUNG against manufacturing defects in materials or workmanship for the limited warranty period, starting from the date of original purchase, of:

One (1) year parts and labor

Five (5) years Linear Motion Parts\*, Printed Circuit Board, Racking and Stainless Door Liner & Tub for leakage (Parts Only)

\*Linear Motion Parts: Belt operating AC motor (Motor Geared), Belt V-Timing, Rail, Holder Rail (Front Up, Front Low)

This limited warranty is valid only on products purchased and used in the United States that have been installed, operated, and maintained according to the instructions attached to or furnished with the product. To receive warranty service, the purchaser must contact SAMSUNG at the address or phone number provided below for problem determination and service procedures. Warranty service can only be performed by a SAMSUNG authorized service center. The original dated bill of sale must be presented upon request as proof of purchase to SAMSUNG or SAMSUNG's authorized service center to receive warranty service.

SAMSUNG will provide in-home service within the contiguous United States during the warranty period at no charge, subject to availability of SAMSUNG authorized servicers within the customer's geographic area. If in-home service is not available, SAMSUNG may elect, at its option, to provide transportation of the product to and from an authorized service center. If the product is located in an area where service by a SAMSUNG authorized servicer is not available, you may be responsible for a trip charge or required to bring the product to a SAMSUNG authorized service center for service.

To receive in-home service, product must be unobstructed and accessible to the service agent.

During the applicable warranty period, a product will be repaired, replaced, or the purchase price refunded, at the sole option of SAMSUNG. SAMSUNG may use new or reconditioned parts in repairing a product, or replace the product with a new or reconditioned product. Replacement parts and products are warranted for the remaining portion of the original product's warranty or ninety (90) days, whichever is longer. All replaced parts and products are the property of SAMSUNG and you must return them to SAMSUNG.



---

This limited warranty covers manufacturing defects in materials or workmanship encountered in normal household, noncommercial use of this product and shall not cover the following: damage that occurs in shipment, delivery, installation, and uses for which this product was not intended; damage caused by unauthorized modification or alteration of the product; product where the original factory serial numbers have been removed, defaced, changed in any way, or cannot be readily determined; cosmetic damage including scratches, dents, chips, and other damage to the product's finishes; damage caused by abuse, misuse, pest infestations, accident, fire, floods, or other acts of nature or God; damage caused by use of equipment, utilities, services, parts, supplies, accessories, applications, installations, repairs, external wiring or connectors not supplied or authorized by SAMSUNG; damage caused by incorrect electrical line current, voltage, fluctuations and surges; damage caused by failure to operate and maintain the product according to instructions; in-home instruction on how to use your product; and service to correct installation not in accordance with electrical or plumbing codes or correction of household electrical or plumbing (i.e., house wiring, fuses, or water inlet hoses).

The cost of repair or replacement under these excluded circumstances shall be the customer's responsibility.

Visits by an authorized servicer to explain product functions, maintenance or installation are not covered by this limited warranty. Please contact SAMSUNG at the number below for assistance with any of these issues.

#### **EXCLUSION OF IMPLIED WARRANTIES**

IMPLIED WARRANTIES, INCLUDING THE IMPLIED WARRANTIES OF MERCHANTABILITY OR FITNESS FOR A PARTICULAR PURPOSE, ARE LIMITED TO ONE YEAR OR THE SHORTEST PERIOD ALLOWED BY LAW. Some states do not allow limitations on how long an implied warranty lasts, so the above limitations or exclusions may not apply to you. This warranty gives you specific rights, and you may also have other rights, which vary from state to state.

# Warranty (U.S.A)

---

## LIMITATION OF REMEDIES

YOUR SOLE AND EXCLUSIVE REMEDY IS PRODUCT REPAIR, PRODUCT REPLACEMENT, OR REFUND OF THE PURCHASE PRICE AT SAMSUNG'S OPTION, AS PROVIDED IN THIS LIMITED WARRANTY. SAMSUNG SHALL NOT BE LIABLE FOR SPECIAL, INCIDENTAL OR CONSEQUENTIAL DAMAGES, INCLUDING BUT NOT LIMITED TO TIME WAY FROM WORK, HOTELS AND/OR RESTAURANT MEALS, REMODELING EXPENSES, LOSS OF REVENUE OR PROFITS, FAILURE TO REALIZE SAVINGS OR OTHER BENEFITS REGARDLESS OF THE LEGAL THEORY ON WHICH THE CLAIM IS BASED, AND EVEN IF SAMSUNG HAS BEEN ADVISED OF THE POSSIBILITY OF SUCH DAMAGES. Some states do not allow exclusion or limitation of incidental or consequential damages, so the above limitations or exclusions may not apply to you. This warranty gives you specific rights, and you may also have other rights, which vary from state to state.

SAMSUNG does not warrant uninterrupted or error-free operation of the product. No warranty or guarantee given by any other person, firm, or corporation with respect to this product shall be binding on SAMSUNG.

To obtain warranty service, please contact SAMSUNG at:

In USA

Samsung Electronics America, Inc.

85 Challenger Road

Ridgefield Park, NJ 07660

1-800-SAMSUNG (726-7864)

[www.samsung.com/us/support](http://www.samsung.com/us/support)

# Memo

---



Scan the QR code\* or visit  
[www.samsung.com/spsn](http://www.samsung.com/spsn)  
to view our helpful  
How-to Videos and Live Shows

\*Requires reader to be installed on your smartphone

[bit.ly/samsungdishwashers](https://bit.ly/samsungdishwashers)

## QUESTIONS OR COMMENTS?

COUNTRY	CALL	OR VISIT US ONLINE AT
U.S.A	1-800-SAMSUNG (726-7864)	<a href="http://www.samsung.com/us/support">www.samsung.com/us/support</a>
MEXICO	800-SAMSUNG	<a href="http://www.samsung.com/mx/support">www.samsung.com/mx/support</a>



DD68-00209A-04

# Lavavajillas

---

## Manual del usuario

Serie DW80R9950

---



**SAMSUNG**

# Contenidos

---

<b>Información sobre seguridad</b>	<b>4</b>
Lo que necesita saber sobre las instrucciones de seguridad	4
Símbolos de seguridad importantes	4
Antes de usar la lavavajillas	7
<b>Antes de comenzar</b>	<b>11</b>
Desempaque de la lavavajillas	11
Verificación de las piezas	12
Artículos no adecuados para la lavavajillas	14
Reflector de agua	14
<b>Uso de la lavavajillas</b>	<b>15</b>
Uso básico de los estantes	15
Guías sobre detergentes	26
Respuesta del teclado táctil	29
<b>Operaciones</b>	<b>30</b>
Panel de control	30
Descripción general de los ciclos	33
Pasos sencillos para encender su lavavajillas	34
Configuración	35
SmartThings	37
Características especiales	40
<b>Mantenimiento</b>	<b>41</b>
Limpieza	41
Cuidado a largo plazo	44
Limpieza de la bomba de drenaje	45
Cómo guardar la lavavajillas	45

---

<b>Solución de problemas</b>	<b>46</b>
Intente implementar las siguientes soluciones si su lavavajillas...	46
Códigos de información	51
<b>Tabla de ciclos</b>	<b>53</b>
<b>Apéndice</b>	<b>55</b>
Ayuda al medio ambiente	55
Especificaciones	55
<b>Garantía limitada (Estados Unidos)</b>	<b>56</b>

---



# Información sobre seguridad

Felicitaciones por la compra de su nueva lavavajillas Samsung. Este manual contiene información importante acerca de la instalación, el uso y el cuidado del electrodoméstico. Lea detenidamente estas instrucciones a fin de aprovechar al máximo los múltiples beneficios y funciones de la lavavajillas.

## Lo que necesita saber sobre las instrucciones de seguridad

Las advertencias y las instrucciones de seguridad importantes de este manual no cubren todas las posibles condiciones y situaciones que pueden ocurrir. Es su responsabilidad actuar con sentido común, precaución y cuidado cuando instale, realice el mantenimiento y ponga en funcionamiento la lavavajillas.

## Símbolos de seguridad importantes

Significado de los íconos y señales de este manual del usuario:

### **ADVERTENCIA**

Peligros o prácticas inseguras que pueden causar **lesiones físicas graves o la muerte**.

Para reducir el riesgo de incendio, explosión, descargas eléctricas o lesiones físicas cuando usa la máquina lavavajillas, siga estas instrucciones básicas de seguridad:

### **PRECAUCIÓN**

Peligros o prácticas inseguras que pueden causar **lesiones físicas leves o daños a la propiedad**.

### **NOTA**

Estas señales de advertencia sirven para evitar que usted y otras personas sufran lesiones.

Sígalas explícitamente.

Después de leer esta sección, guárdela en un lugar seguro para consultas futuras.

## CONSERVE ESTAS INSTRUCCIONES





## Advertencia sobre la California Proposition 65

 **ADVERTENCIA:** Cáncer y afecciones reproductivas - [www.P65Warnings.ca.gov](http://www.P65Warnings.ca.gov)

### **ADVERTENCIA**

Cuando utilice la lavavajillas, tome todas las precauciones básicas, incluyendo las siguientes:

1. Lea todas las instrucciones antes de usar la lavavajillas.
2. Utilice la lavavajillas únicamente para la función para la cual está diseñada.
3. Utilice únicamente detergentes o productos humectantes recomendados para utilizarse en lavavajillas y manténgalos fuera del alcance de los niños.
4. Cuando cargue los artículos que se lavarán:
  - coloque los artículos cortantes de manera que no dañen las juntas de la puerta y
  - cargue los cuchillos afilados con el mango hacia arriba para reducir el riesgo de sufrir lesiones por cortes.
5. No lave objetos de plástico a menos que tengan el rótulo "apto para lavavajillas" o su equivalente. En el caso de los artículos de plástico que no tengan tal rótulo, consulte las recomendaciones del fabricante.
6. No toque el ELEMENTO CALENTADOR durante el uso o inmediatamente luego de él.
7. No ponga en funcionamiento la lavavajillas a menos que todos los paneles de CIERRE estén correctamente colocados.
8. No modifique los controles.
9. Trate con cuidado la puerta y el estante de la lavavajillas, y no se siente ni se pare encima.
10. Para reducir el riesgo de lesiones, evite que los niños jueguen dentro o fuera de la lavavajillas.
11. En ciertas circunstancias, se puede producir gas hidrógeno en un sistema de agua caliente que no se ha usado durante dos semanas o más. EL GAS HIDRÓGENO ES EXPLOSIVO. Si el sistema de agua caliente no se ha usado durante dicho período, abra todas las llaves de agua caliente y deje que el agua fluya durante varios minutos antes de usar la lavavajillas. Esto disipará el gas hidrógeno acumulado. Dado que el gas es inflamable, no fume ni utilice una llama abierta en ese momento.
12. Cuando deje de utilizar o descarte una lavavajillas antigua, retire la puerta del compartimiento de lavado.

## CONSERVE ESTAS INSTRUCCIONES



# Información sobre seguridad

---

## PRECAUCIÓN

- Después de desempacar la lavavajillas, mantenga el empaque fuera del alcance de los niños.
- La máquina lavavajillas es muy pesada. No intente mover o trasladarla usted mismo. Se necesitan dos o más personas para mover una lavavajillas y evitar lesiones potenciales.
- Al igual que con cualquier equipo que use electricidad, agua y piezas movibles, existen riesgos potenciales.
- No instale la lavavajillas cerca de componentes eléctricos. Mantenga la lavavajillas alejada de llamas abiertas.
- Instale y nivele la lavavajillas sobre una superficie no alfombrada que pueda soportar su peso.
- La lavavajillas debe conectarse a tierra correctamente. Nunca la conecte a un tomacorriente sin conexión a tierra. Consulte la página 7 para obtener más información sobre cómo conectar la lavavajillas a tierra.
- Conecte el cable a tierra a la conexión a tierra de color verde de la caja de terminales.
- Después de instalar la lavavajillas, asegúrese que la manguera de desagüe esté correctamente conectada y que las conexiones de la manguera no tengan pérdidas. Si la manguera de desagüe está floja, puede ocasionar pérdidas materiales.
- El conducto puede romperse. A medida que transcurre el tiempo, pierde su flexibilidad. Revise el conducto periódicamente. Si está hinchado, rasgado, cortado o si hay pérdida de agua, reemplácelo inmediatamente.
- Para usar este electrodoméstico en forma segura, familiarícese con su funcionamiento y manéjelo con cuidado cuando lo use.
- No vierta gasolina, solventes ni otros materiales inflamables dentro de la lavavajillas. No lave vajilla que haya sido expuesta a estos materiales.
- Mantenga el detergente de la lavavajillas fuera del alcance de los niños. El detergente causa un efecto adverso en los órganos del cuerpo humano. Contiene sustancias para otorgar brillo y es corrosivo. Evite que el detergente entre en contacto con la piel o los ojos.
- No empuje ni presione la puerta cuando esté abierta, ya que al hacerlo podría dañar la lavavajillas o hacerse daño.
- No permita que los niños jueguen dentro o encima de la máquina lavavajillas. Pueden hacerse daño o dañar la lavavajillas.

**CONSERVE ESTAS INSTRUCCIONES**



- Desconecte el cable de alimentación (o corte el disyuntor) antes de realizar el mantenimiento de la lavavajillas.
- No repare, reemplace ni realice el mantenimiento de ninguna de las piezas de su lavavajillas por su cuenta. Solo se permite que técnicos calificados autorizados realicen el desensamble, las reparaciones y las modificaciones. El trabajo efectuado por una persona no autorizada puede invalidar su garantía.
- Antes de deshacerse de su lavavajillas, retire la puerta del compartimiento de lavado o la traba de la puerta para evitar que niños o animales pequeños puedan quedar atrapados adentro.
- Si no va a utilizarse la lavavajillas durante un período prolongado, corte el suministro de agua.
- Esta lavavajillas ha sido diseñada para uso residencial únicamente.

## Antes de usar la lavavajillas

### ADVERTENCIA



#### Riesgo de vuelco

- No utilice la lavavajillas hasta que no esté correctamente instalada.
- No ejerza presión sobre la puerta de la lavavajillas cuando está abierta.
- No coloque excesivo peso sobre la puerta de la lavavajillas cuando está abierta.



#### Riesgo de descarga eléctrica

El incumplimiento con estas instrucciones puede tener como resultado la muerte, incendios o descargas eléctricas:

- Conecte a tierra la lavavajillas.
- Conecte el cable a tierra a la conexión a tierra de color verde de la caja de conexiones.
- No utilice un cable prolongador.

**CONSERVE ESTAS INSTRUCCIONES**



# Información sobre seguridad

## Aviso normativo

### Aviso de la FCC

#### PRECAUCIÓN DE LA FCC:

Todos los cambios o modificaciones que no cuenten con la aprobación expresa de la parte responsable del cumplimiento invalidará la autoridad del usuario para operar el equipo.

Este dispositivo cumple con el apartado 15 de las normas de la FCC. El funcionamiento se encuentra sujeto a las siguientes dos condiciones:

- (1) Este dispositivo no puede causar interferencias perjudiciales, y
- (2) Este dispositivo debe aceptar la recepción de cualquier interferencia, incluidas aquellas que puedan causar un funcionamiento indeseado.

Para productos vendidos en los mercados de EE.UU. y Canadá únicamente los canales 1-11 se encuentran disponibles. No es posible seleccionar otros canales.

#### DECLARACIÓN DE LA FCC:

Este equipo ha sido sometido a pruebas y se ha determinado que se encuentra dentro de los límites para los dispositivos digitales clase B, de acuerdo con el apartado 15 de las normas de la FCC. Dichos límites han sido diseñados para proporcionar una protección razonable contra las interferencias perjudiciales en una instalación residencial.

Este equipo genera, utiliza y puede irradiar energía de radiofrecuencia y, si no se lo instala y utiliza de acuerdo con las instrucciones, puede provocar interferencias perjudiciales para las comunicaciones de radio. Sin embargo, no existe garantía alguna de que no se producirán interferencias en una instalación determinada. Si el equipo provoca interferencias perjudiciales para la recepción de radio o televisión, lo cual puede determinarse al encender y apagar el equipo, se sugiere que el usuario trate de corregir la interferencia mediante una o más de las siguientes medidas:

- Reorientar o reubicar la antena receptora
- Aumentar la distancia entre el equipo y el receptor
- Conectar el equipo a una toma que esté en un circuito diferente al de la radio o el televisor.
- Consultar a su distribuidor o a un técnico experimentado en radio/TV para obtener ayuda.

## CONSERVE ESTAS INSTRUCCIONES



**DECLARACIÓN DE LA FCC SOBRE LA EXPOSICIÓN A LA RADIACIÓN:**

Este equipo cumple con los límites de exposición a la radiación establecidos por la FCC para un entorno no controlado. Este equipo debe instalarse y utilizarse de manera que queden por lo menos 8 pulgadas (20 cm) entre el radiador y su cuerpo. Este dispositivo y su/s antena/s no deben ubicarse ni utilizarse junto con ninguna otra antena o transmisor.

**Aviso de IC**

El término "IC" antes del número de certificación de radio solo significa que se han cumplido las especificaciones técnicas de la industria canadiense. El funcionamiento se encuentra sujeto a las siguientes dos condiciones: (1) este dispositivo no puede causar interferencias perjudiciales, y (2) este dispositivo debe aceptar la recepción de cualquier interferencia, incluidas aquellas que puedan causar un funcionamiento indeseado.

Este aparato digital Clase B cumple con la norma canadiense ICES-003.

Cet appareil numérique de la classe B est conforme à la norme NMB-003 du Canada.

Para productos vendidos en los mercados de EE.UU. y Canadá únicamente los canales 1-11 se encuentran disponibles. No es posible seleccionar otros canales.

**DECLARACIÓN DE IC SOBRE LA EXPOSICIÓN A LA RADIACIÓN:**

Este equipo cumple con los límites de exposición a la radiación establecidos por IC RSS-102 para un entorno no controlado. Este equipo debe instalarse y utilizarse de manera que queden por lo menos 8 pulgadas (20 cm) entre el radiador y su cuerpo. Este dispositivo y su/s antena/s no deben ubicarse ni utilizarse junto con ninguna otra antena o transmisor.

**CONSERVE ESTAS INSTRUCCIONES**



# Información sobre seguridad

---

## Anuncio de código abierto

El software incluido en este producto contiene software de código abierto. Puede obtener el código fuente completo correspondiente para un período de tres años a partir del último envío de este producto enviando un correo electrónico a <mailto:oss.request@samsung.com>.

Asimismo, es posible obtener el código fuente completo correspondiente en un soporte físico como un CD-ROM; se le cobrará una tasa mínima.

La siguiente URL [http://opensource.samsung.com/opensource/SMART\\_AT\\_051/seq/0](http://opensource.samsung.com/opensource/SMART_AT_051/seq/0) lleva a la página de descarga del código fuente disponible y a la información de licencia de código abierto relacionada con este producto. Esta oferta es válida para quienes reciban esta información.



**CONSERVE ESTAS INSTRUCCIONES**



# Antes de comenzar

---

Asegúrese de que su instalador siga estas instrucciones minuciosamente para que su nueva lavavajillas funcione adecuadamente y no existan riesgos de sufrir lesiones al lavar los platos.

## Desempaque de la lavavajillas

---

- Cuando haya recibido la lavavajillas, desembálela con cuidado y compruebe que no esté dañada. Si la lavavajillas está dañada, tome nota de ello en la carta de porte y guarde una copia. No instale la lavavajillas y comuníquese con el Servicio al cliente de Samsung al número que se indica en la siguiente página.
- Si el producto no está dañado, comience con la instalación. Si va a instalarlo por su cuenta, asegúrese de leer la guía de instalación y de seguir sus instrucciones.
- Después de desempacar la lavavajillas, mantenga el empaque fuera del alcance de los niños para garantizar su seguridad.

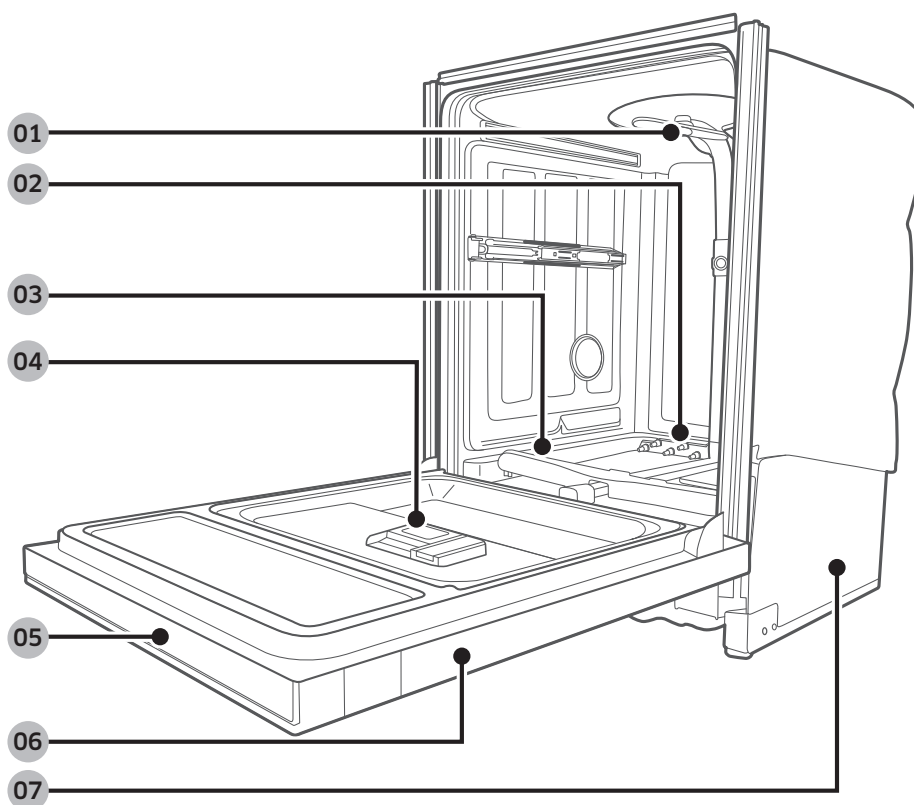
# Antes de comenzar

## Verificación de las piezas

Una vez desempacada la lavavajillas, asegúrese de haber recibido todas las piezas que aparecen a continuación.

Si su lavavajillas sufrió daños durante el transporte, o si falta alguna pieza, comuníquese con el Servicio al cliente de Samsung al 1-800-SAMSUNG (726-7864).

Antes de comenzar



01 Boquilla techo

02 Boquilla inferior

03 Reflector de agua

04 Dosificador

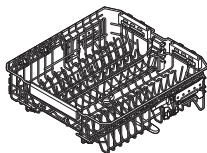
05 Panel de control

06 Puerta

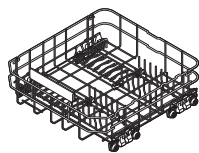
07 Base



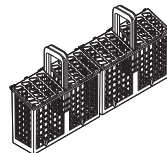
## Accesorios



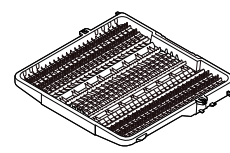
Estante superior



Estante inferior



Estante para cubiertos



3<sup>er</sup> estante

### NOTA

Accesorios - Manual del usuario/instalación, kit de instalación, placa de protección.

### PRECAUCIÓN

- No lave artículos que estén cubiertos con cenizas, arena, cera, grasa lubricante o pintura. Estos materiales dañarán la lavavajillas. La ceniza no se disuelve y se esparcirá dentro de la lavavajillas.
- Retire de la vajilla los restos de alimentos tales como huesos, semillas, etc. y los desechos como palillos, servilletas de papel, etc. Los restos de alimentos y los desechos pueden generar ruidos, causar el mal funcionamiento de la lavavajillas y dañar la vajilla y el electrodoméstico.



# Antes de comenzar

---

## Artículos no adecuados para la lavavajillas

---

### ADVERTENCIA

Lave solamente artículos tales como vidrio, porcelana y cubiertos que el fabricante declara como aptos para lavavajillas. No lave artículos de aluminio (por ejemplo, filtros de grasa). La lavavajillas puede dañar el aluminio o, en casos extremos, puede provocar una reacción química grave.

**No lave los siguientes artículos en la lavavajillas.**

- Elementos de cobre, latón, hojalata, marfil y aluminio o elementos con adhesivo
- Plásticos no resistentes al calor
- Elementos artesanales, antigüedades, jarrones valiosos y cristalería decorativa
- Elementos de cerámica o cerámica vidriada
- Cubiertos y vajilla de madera o elementos con partes de madera
- Cristalería delicada o que contenga cristal al plomo. El cristal puede enturbiarse con el lavado frecuente.

### NOTA

Los cubiertos que entran en contacto con alimentos que contienen azufre pueden decolorarse. Los alimentos con contenido de azufre con las yemas de huevo, cebolla, mayonesa, mostaza, pescado, espinas de pescado y adobos.

## Reflector de agua

---

El reflector de agua detecta automáticamente los obstáculos dentro de la lavavajillas que pueden interferir con la señal del reflector. Si se detecta algún obstáculo, la pantalla parpadea y la lavavajillas emite una señal sonora durante unos minutos. Si esto sucede, retire el obstáculo.

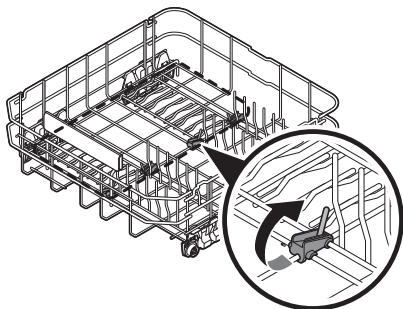


# Uso de la lavavajillas

## Uso básico de los estantes

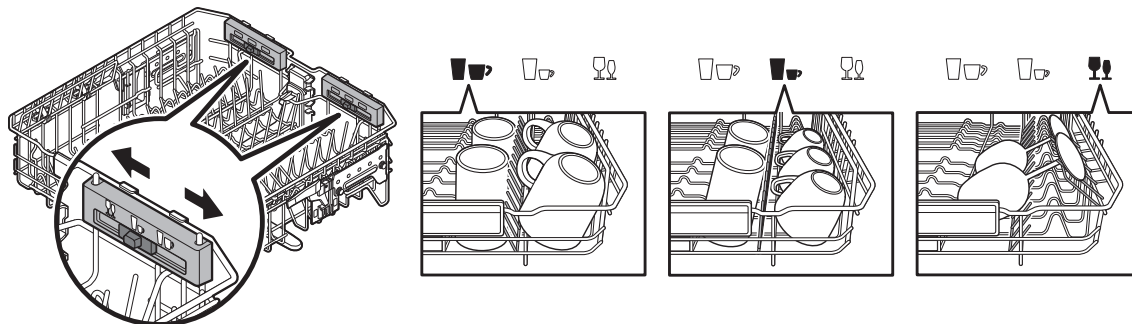
### Ángulo de los soportes para platos

En el estante inferior, puede plegar fácilmente los dientes plegables para hacer lugar para artículos grandes, como ollas y sartenes en la zona de respuesta. Retire el estante de la lavavajillas, luego pliegue los dientes uno a uno. Consulte la ilustración inferior.



Estante inferior

En el estante superior, puede ajustar el ángulo de los dientes en tres posiciones diferentes para adaptarse al tamaño y la forma de sus platos. Para ajustar los dientes, sujete la manija de la parte posterior del estante y empuje hacia la izquierda o hacia la derecha. Consulte la ilustración inferior.

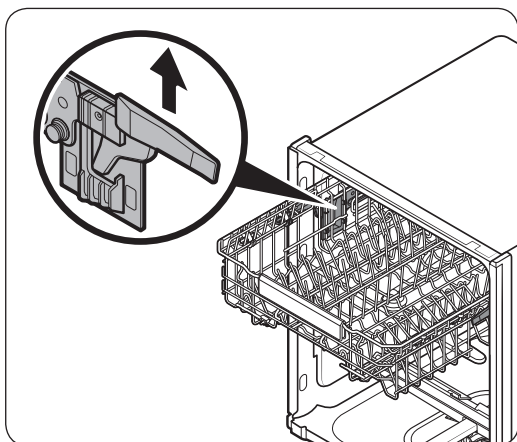


Estante superior

# Uso de la lavavajillas

## Ajuste de la altura

Puede ajustar la altura del estante superior de su lavavajillas Samsung para dar cabida a platos de mayor tamaño en el estante inferior. Según la altura del estante superior que establezca, en el estante inferior puede ubicar platos de hasta 12 pulgadas (30 cm) de diámetro y en el estante superior platos de hasta 8 pulgadas (20 cm) de diámetro.



### Para elevar el estante superior

Jale el estante superior hacia arriba. La manija ajustable se trabará y el estante superior se elevará.

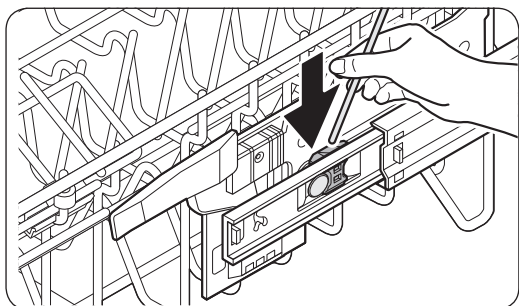
### Para bajar el estante superior

Sujete ambas manijas ajustables, ubicadas a la izquierda y la derecha del estante superior, y, luego, presione uniformemente hacia abajo.

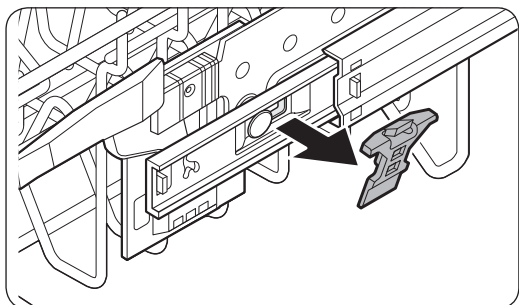
### ⚠ PRECAUCIÓN

- Ajuste la altura del estante superior antes de cargar la vajilla. Si ajusta el estante luego de cargar la vajilla, esta puede resultar dañada.
- Asegúrese de sujetar ambas manijas al realizar el ajuste; de lo contrario, es posible que la puerta no cierre adecuadamente.

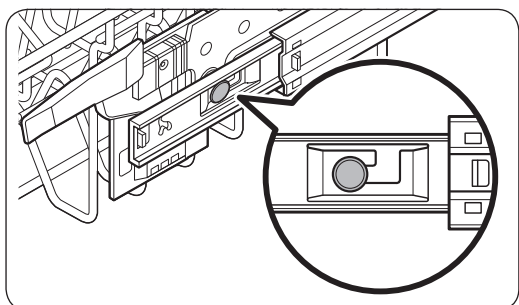
## Para retirar el estante superior



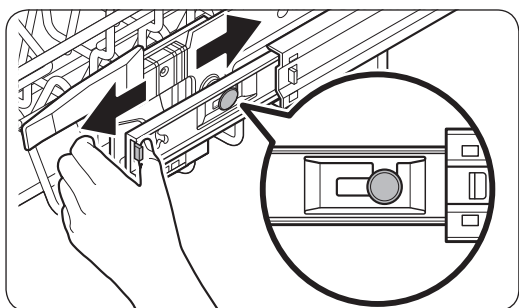
1. Empuje el gancho en el riel de soporte (a la izquierda y la derecha).



2. Quite el riel de soporte del riel (de la izquierda y la derecha).

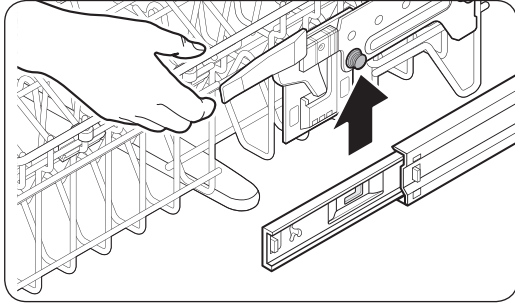


3. Verifique la posición del eje en la ménsula del riel.



4. Deslice el estante superior para que el eje esté ubicado al extremo de la ménsula del riel.

# Uso de la lavavajillas

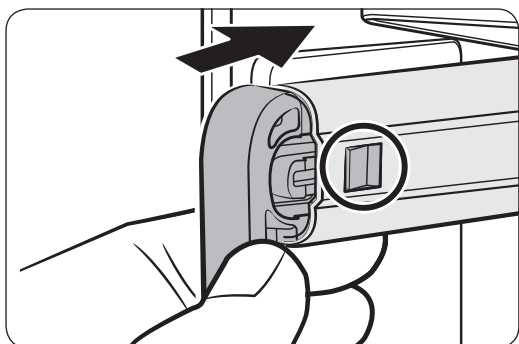
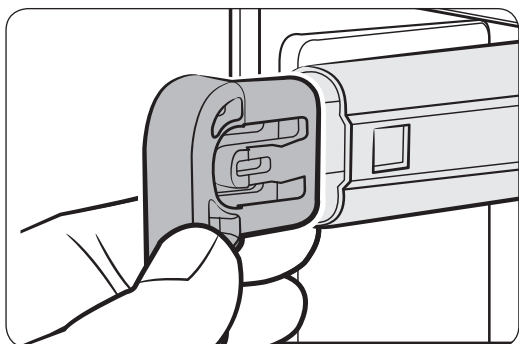
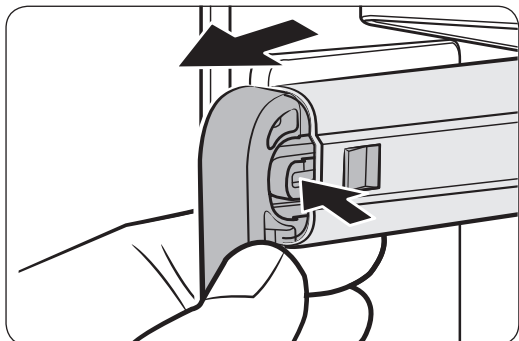


5. Levante el estante superior para quitarlo.

## PRECAUCIÓN

- No haga funcionar la lavavajillas sin el estante superior. De lo contrario, se producirán ruidos y la lavavajillas no funcionará correctamente.
- Dado que el estante superior es extraíble, insértelo adecuadamente para asegurar que la lavavajillas funcione con normalidad.
- Tenga cuidado de no aflojar los rieles de soporte durante el proceso.

## Para retirar el 3º estante



1. Apoye el dedo en la parte inferior del 3º riel de soporte como se ilustra y luego empuje la manija del soporte (observe las marcas de las flechas de la imagen) para retirar el soporte. Repita este paso en el otro lado.

2. Cuando retire el soporte, retire el 3º estante de la lavavajillas.

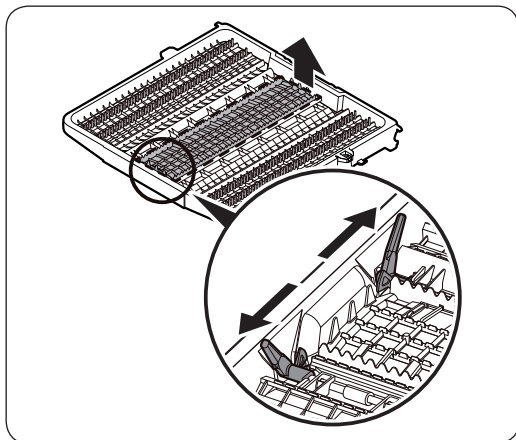
3. Realice el procedimiento en el sentido inverso para insertar nuevamente el 3º estante.

### ⚠ PRECAUCIÓN

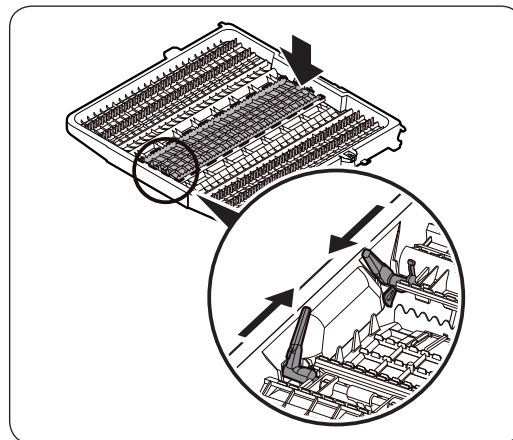
Asegúrese de que la pieza con forma de gancho (encerrada en un círculo) del soporte esté mirando hacia abajo al insertar el soporte en el riel.

# Uso de la lavavajillas

## Ajuste del 3º Rack™ flexible



Posición superior de estante flexible



Posición inferior del estante flexible

Al colocar espátulas, cucharas para servir y elementos similares en el estante flexible, tire o empuje de las piezas resaltadas en la figura en la dirección de las flechas. Una vez que el estante flexible se baja, puede colocar utensilios de cocina más grandes. Para un mejor uso del estante superior, retire el 3º estante o elévelo para que haya más lugar.





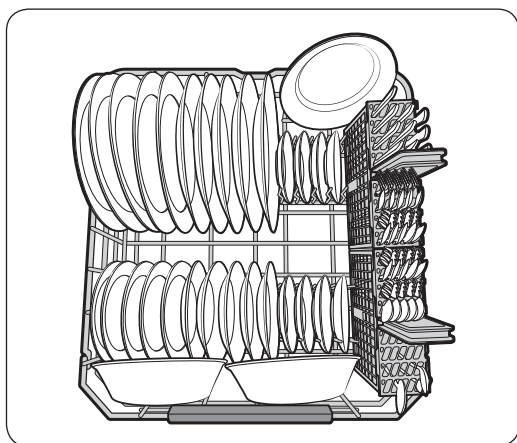
## Cómo cargar la vajilla

### Carga del estante inferior

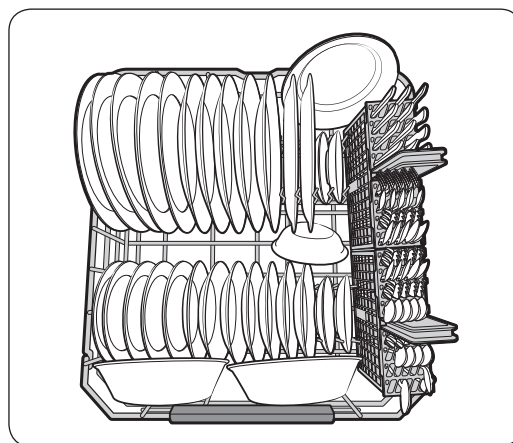
Se ha diseñado el estante inferior específicamente para la vajilla para comida, recipientes para sopa, platos, ollas, tapas y fuentes de horno.

Cargue los objetos grandes como recipientes y ollas en la lavavajillas de manera que sus lados abiertos miren hacia abajo. Recomendamos cargar las tazas, la cristalería y los platos pequeños en el estante superior.

Observe los patrones recomendados de carga que se encuentran a continuación.

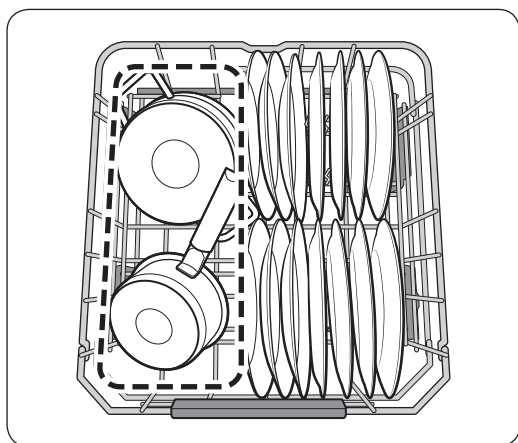


10 puestos



12 puestos

### Carga de las áreas de la zona de refuerzo



Para una limpieza más efectiva, cargue los elementos grandes en el lado izquierdo del estante inferior: el área de la Zone Booster (Zona de refuerzo) (Zona roja).

La función Zone Booster (Zona de refuerzo) suministra chorros de agua más potentes en el área de la Zone Booster (Zona de refuerzo).

Asegúrese de que las manijas de las ollas y otros artículos no interfieran con la rotación de las boquillas o el reflector de agua.



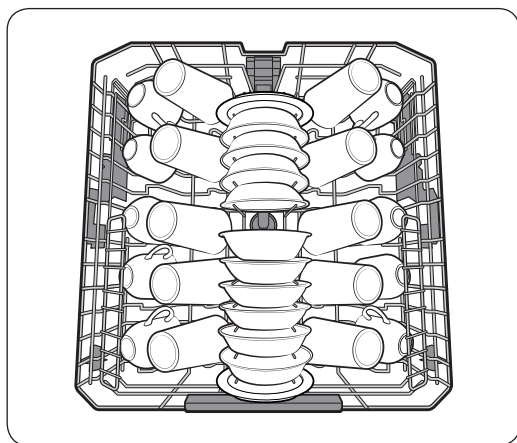
# Uso de la lavavajillas

## Carga del estante superior

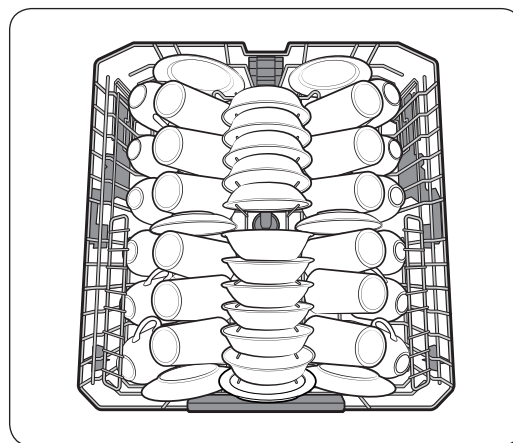
Se ha diseñado el estante superior para platos pequeños, jarras, vasos y objetos de plástico que tengan el rótulo "apto para lavavajillas". Cargue los platos en la lavavajillas en dos medias hileras, de manera que la cara de cada plato mire la parte trasera del otro que tiene enfrente, y que las caras de los platos en el centro de la lavavajillas se enfrenten unas a otras. Consulte las ilustraciones inferiores.

Asegúrese de que la vajilla cargada no interfiera con la rotación de la boquilla que se encuentra en la parte inferior del estante superior. (Para verificarlo, haga rotar la boquilla a mano.)

Para cargar la vajilla, tire del estante superior dejando el espacio suficiente para que pueda cargarlo sin golpear la encimera superior.

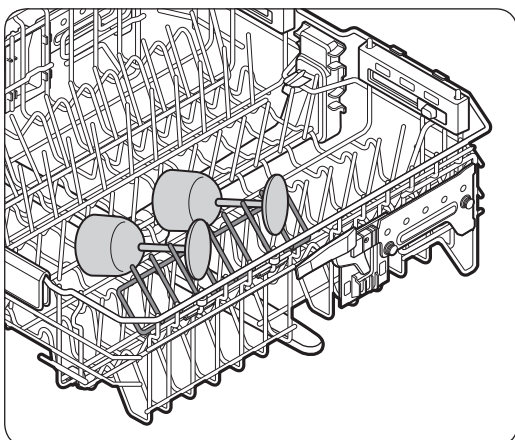


10 puestos



12 puestos

## Uso del soporte para vasos

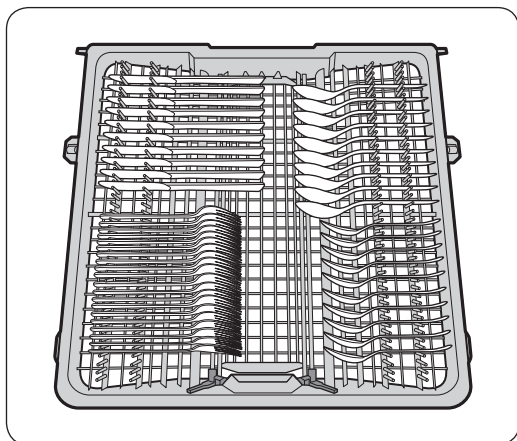


El soporte para vasos es ideal para las copas de vino. Cuelgue las copas de vino de las espigas del soporte para copas. Vuelva a plegar el soporte para copas cuando no lo utilice.

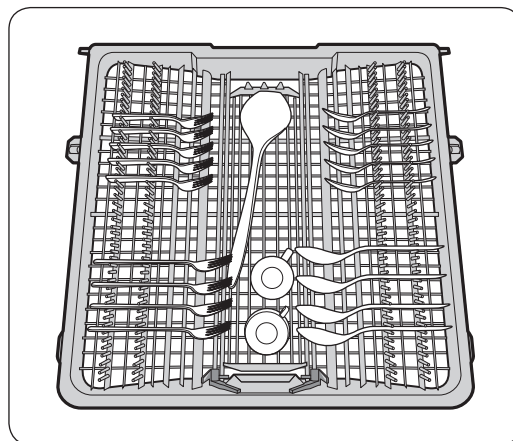
### ⚠ PRECAUCIÓN

No ajuste el nivel del estante superior con el soporte para copas elevado. Esto hará que sea imposible ajustar el estante superior.

## Cargar el 3<sup>rd</sup> Rack™ flexible



Posición superior del estante flexible



Posición inferior del estante flexible

El estante para cubiertos es adecuado para cubiertos y utensilios para cocinar y servir. Puede acomodar los cubiertos y utensilios en forma aleatoria u ordenada en el estante para cubiertos.

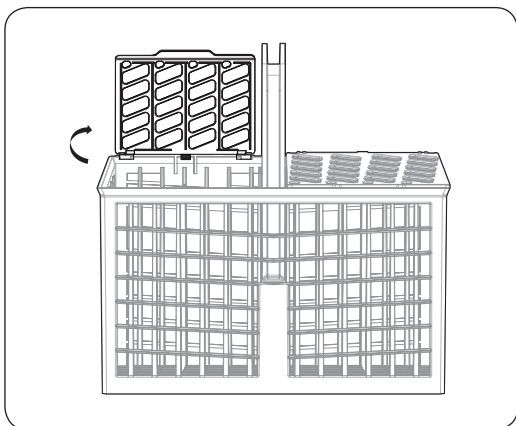
Para una limpieza más eficaz, los utensilios o artículos muy sucios o con restos de alimentos adheridos deben colocarse en el estante para cubiertos inferior.

### Cómo retirar el estante para cubiertos

Se puede retirar el estante para cubiertos completo si se necesita disponer de más espacio en el estante superior para artículos voluminosos.

# Uso de la lavavajillas

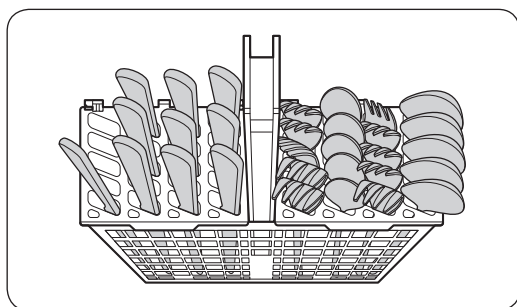
## Carga del estante para cubiertos



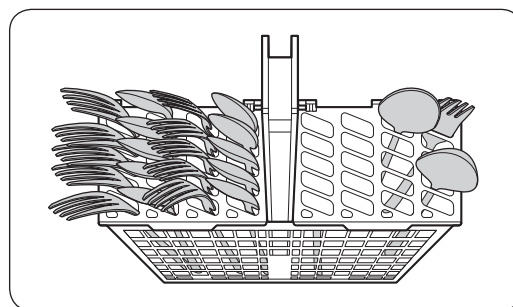
El estante para cubiertos consiste en dos compartimientos.

Puede colocar independientemente cada cuchillo, cuchara o tenedor en el soporte para cucharas en la cubierta de la canasta para evitar roturas o decoloración. Consulte las ilustraciones inferiores.

El estante para cubiertos puede utilizarse con la cubierta abierta. Consulte la ilustración de la izquierda.

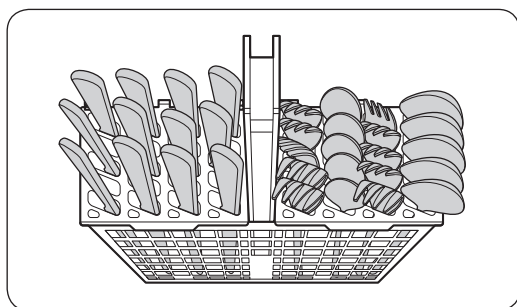


Izquierda

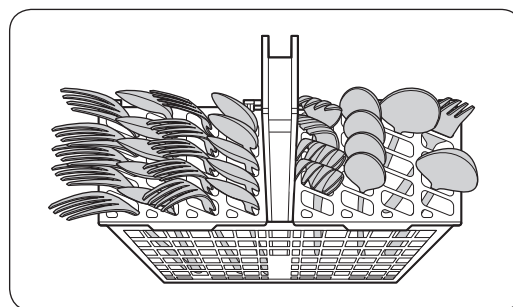


Derecha

10 puestos



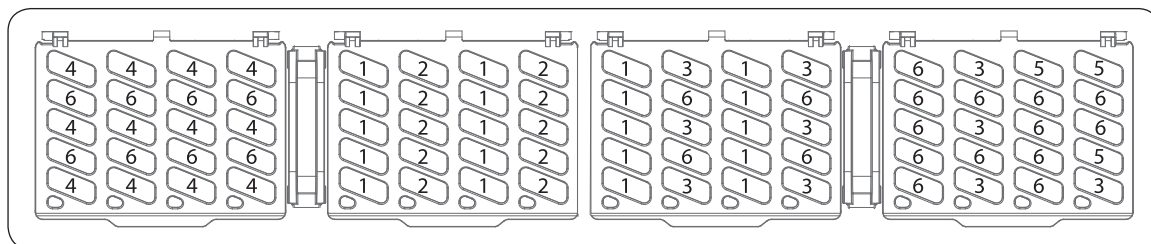
Izquierda



Derecha

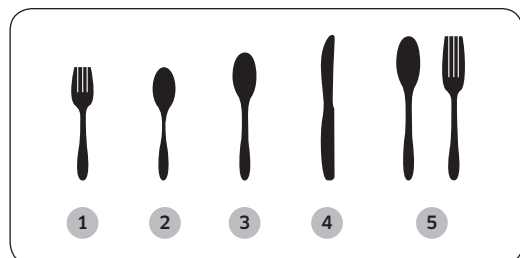
12 puestos

Soporte para cucharas visto desde arriba con las ubicaciones sugeridas para los cubiertos. Haga coincidir los números del diagrama con los números de la lista inferior de los cubiertos.



**NOTA**

NO permita que ningún objeto llegue hasta la parte inferior.



1. Tenedores
2. Cucharitas para té
3. Cucharas
4. Cuchillos
5. Cucharas y tenedores de servir
6. Elementos restantes

# Uso de la lavavajillas

## Guías sobre detergentes

Todos los ciclos de la lavavajillas requieren detergente en el compartimiento correspondiente. Agregue detergente según corresponda para el ciclo seleccionado a fin de asegurar el mejor rendimiento.

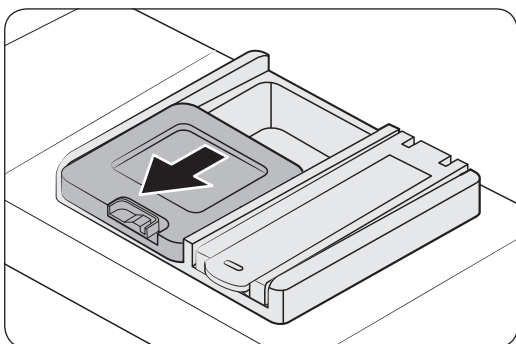
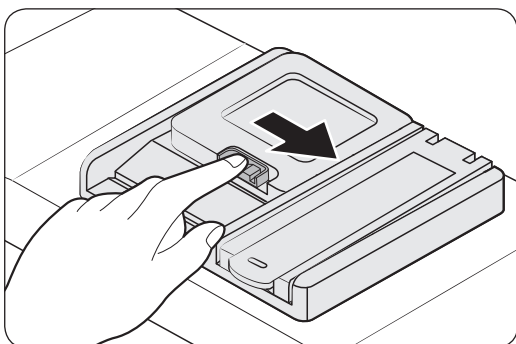
### ⚠ **ADVERTENCIA**

- No ingiera detergente para lavavajillas. Evite inhalar las emanaciones del detergente. Los detergentes para lavavajillas contienen productos químicos irritantes y cáusticos que pueden provocar trastornos respiratorios. Si ingirió detergente para lavavajillas o inhaló sus emanaciones, busque atención médica inmediatamente.
- Mantenga el detergente fuera del alcance de los niños.

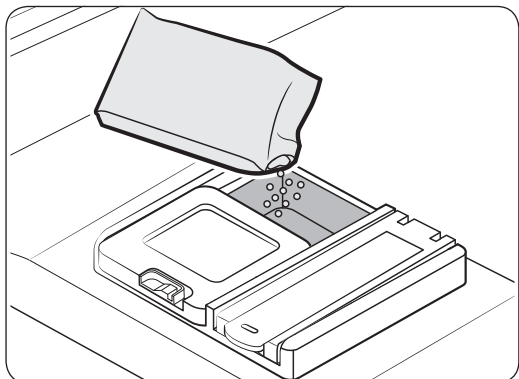
### ⚠ **PRECAUCIÓN**

Use solamente detergente para lavavajillas. Otros tipos de detergentes producen demasiada espuma, lo que puede afectar el rendimiento de la lavavajillas o causar su mal funcionamiento.

### Para llenar el dosificador de detergente



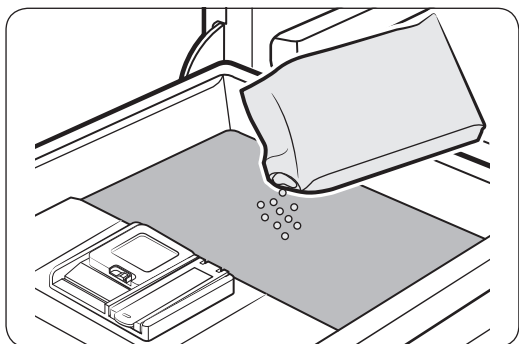
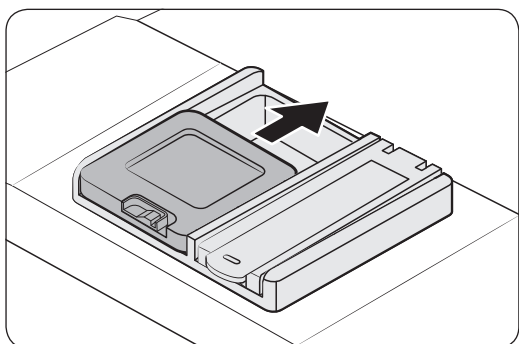
1. Presione suavemente la tapa del dosificador para destrabarla y, luego, deslícela para abrirla. Tenga en cuenta que la tapa del dosificador se abre al final de cada ciclo.



2. Agregue la cantidad recomendada de detergente en el compartimiento principal.
3. Cierre la tapa y presiónela para trazarla.

**NOTA**

Esta lavavajillas no cuenta con un compartimiento separado para tabletas de detergente.



4. Para un mejor desempeño, coloque una pequeña cantidad de detergente en la puerta para una limpieza más eficaz de los elementos muy sucios. El detergente adicional se activará durante el proceso de prelavado.

# Uso de la lavavajillas

La cubierta se abre automáticamente para dosificar el detergente durante el lavado.

CICLO	CANTIDAD DE DETERGENTE	
	Dosificador para el lavado principal	En la puerta para el prelavado
Auto, Normal	3/4 oz (20 g)	1/3 oz (10 g)
Heavy (Muy sucio), Express 60 (Rápido 60)	1 oz (30 g)	1/2 oz (15 g)
Delicate (Vajilla delicada)	3/4 oz (20 g)	1/5 oz (5 g)

## NOTA

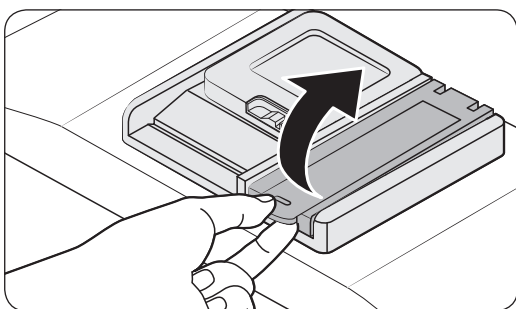
Los números que se encuentran dentro del dosificador aluden a gramos.

## Producto para el enjuague

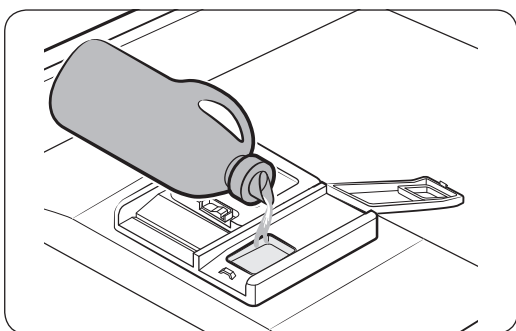
El producto de enjuague mejora el desempeño del secado de la lavavajillas. Cuando se encienda el indicador Rinse Refill (Reponer producto de enjuague) en el panel de control, reponga el producto para el enjuague. Use solamente productos líquidos para el enjuague. Los productos en polvo pueden obstruir la apertura del compartimiento y hacer que la lavavajillas no funcione correctamente.

## PRECAUCIÓN

- No agregue ningún tipo de detergente en el compartimiento para el producto de enjuague.
- No llene excesivamente el compartimiento. El exceso de producto de enjuague se puede derramar durante un ciclo.

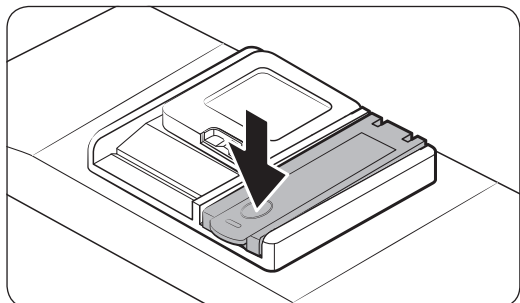


1. Quite la tapa para abrir el compartimiento de enjuague.



2. Llene el compartimiento con el producto de enjuague según lo especificado por el fabricante de dicho producto.





3. Para cerrar, presione hacia abajo la zona del círculo de la tapa.

### Cantidad de producto de enjuague

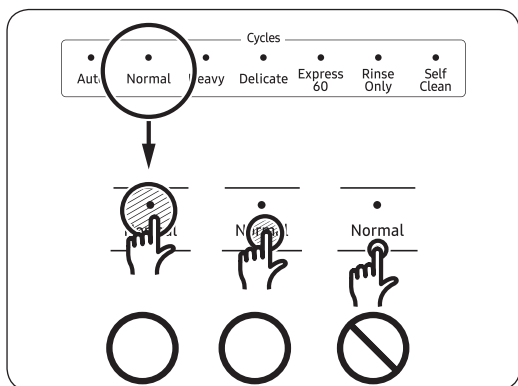
Presione **Sanitize (Desinfección)** hasta que aparezca 'F1~F6'. Cuanto más alto es el número, más cantidad de producto de enjuague utiliza la lavavajillas. Para mejorar el rendimiento del secado, seleccione un número superior.

Si los platos parecen decolorados después de un lavado, seleccione a un número inferior.

El nivel predeterminado de fábrica es 'F4'.

### Respuesta del teclado táctil

Para evitar que los controles táctiles pierdan la capacidad de respuesta, siga estas instrucciones.



- Toque con el dedo el centro de cada botón.
- No toque más de un botón al mismo tiempo, excepto cuando así se le indique.
- Limpie de forma regular la superficie del panel táctil con un trapo suave y húmedo.

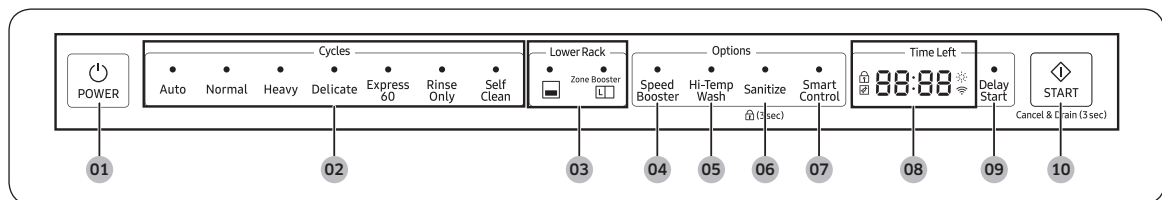
# Operaciones

## ⚠ ADVERTENCIA


Para reducir el riesgo de incendio, descarga eléctrica o lesiones personales, lea las INSTRUCCIONES DE SEGURIDAD IMPORTANTES antes de poner en marcha este electrodoméstico.

## Panel de control

### Serie DW80R9950



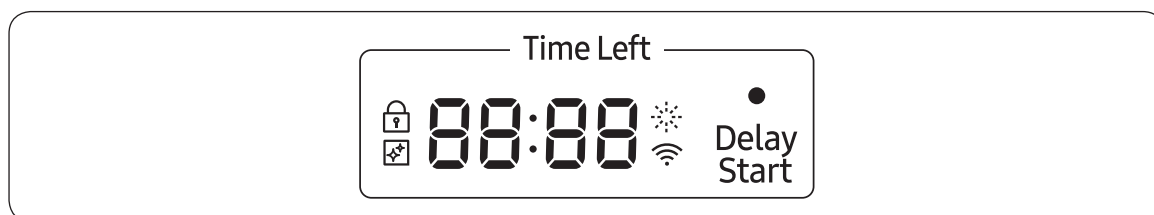
<b>01 POWER (ENCENDIDO)</b>	Cuando presiona el botón <b>POWER (ENCENDIDO)</b> se enciende la luz del último ciclo iniciado. Una vez completado el ciclo seleccionado, la lavavajillas se apaga automáticamente.
<b>02 Selector de ciclos</b>	Seleccione el ciclo de lavado adecuado según el nivel de suciedad de la vajilla. Cuando se selecciona un ciclo, se enciende el indicador de ciclo activado correspondiente. Si desea modificar el ciclo una vez iniciado, presione el botón <b>POWER (ENCENDIDO)</b> . Luego encienda de nuevo la lavavajillas y seleccione un nuevo ciclo.
<b>03 Lower Rack (Estante inferior)</b>	Si se selecciona esta opción, solo se activa la boquilla del estante inferior para reducir tanto el tiempo del ciclo como el consumo de energía. Utilice este ciclo para lavar cargas pequeñas de platos o vasos en el estante inferior. Para lavar artículos muy sucios, agregue la opción <b>Zone Booster (Zona de refuerzo)</b> . <b>NOTA</b> Si desea lavar recipientes muy sucios como ollas y sartenes, seleccione la opción <b>Zone Booster (Zona de refuerzo)</b> . (Esta opción consume algo más de agua y energía.) La opción <b>Zone Booster (Zona de refuerzo)</b> efectúa un lavado intensivo en la zona izquierda del estante inferior. Seleccionando una opción de <b>Zone Booster (Zona de refuerzo)</b> no se apaga la boquilla superior.
<b>04 Speed Booster (Aumentar velocidad)</b>	Seleccione esta opción para reducir el tiempo de lavado.





<b>05 Hi-Temp Wash</b> (Lavado a alta temperatura)	<p>Eleva la temperatura del lavado principal para mejorar la limpieza de cargas muy sucias o que contienen restos de alimentos adheridos.</p>
<b>06 Sanitize</b> (Desinfección) / ⏸ (3sec) (Bloqueo de controles)	<p>Cuando se selecciona la opción <b>Sanitize (Desinfección)</b>, la temperatura del agua se eleva a 163 °F (73 °C) en el ciclo de enjuague final para la desinfección a alta temperatura.</p> <p>Si selecciona la opción <b>Sanitize (Desinfección)</b>, el indicador "Sanitize (Desinfección)" parpadea cuando la temperatura del agua alcanza la temperatura de desinfección (más de 155 °F (68 °C)) y permanece encendido hasta el final del ciclo <b>Sanitize (Desinfección)</b>. Cuando abre la puerta o presiona el botón <b>POWER (ENCENDIDO)</b>, el indicador "Sanitize (Desinfección)" se apaga.</p> <p> <b>NOTA</b></p> <p>La función Sanitize (Desinfección) cumple con la Norma 184 NSF/ANSI para Lavavajillas Residenciales. Las lavavajillas residenciales certificadas no han sido diseñadas para los establecimientos alimentarios autorizados. Su lavavajillas ha sido certificada por NSF.</p> <p>Solo el ciclo <b>Heavy (Muy sucio)</b> con la opción <b>Sanitize (Desinfección)</b> ha sido diseñado para cumplir con los requisitos de NSF 184 con respecto a la eficacia en la eliminación de la suciedad y la desinfección.</p> <p><b>Bloqueo de controles</b> le permite bloquear los botones del panel de control para que los niños no puedan encender la lavavajillas en forma accidental al presionarlos.</p> <p>Para bloquear y desbloquear los botones del panel de control, mantenga presionado el botón <b>Sanitize (Desinfección)</b> durante tres (3) segundos con la máquina encendida.</p>
<b>07 Smart Control</b>	<p>Se puede supervisar y controlar la lavavajillas de forma remota a través de una conexión Wi-Fi. Para conectar por primera vez la lavavajillas a su teléfono inteligente, mantenga presionado <b>Smart Control</b>. Para obtener más información, consulte la sección "SmartThings" en la página 37.</p>
<b>08 Pantalla</b>	<p>Muestra la información sobre el ciclo actual que incluye el tiempo del ciclo, el tiempo restante, los parámetros de Inicio retardado y otra información específica del ciclo.</p> <p>Si ocurre un problema durante el funcionamiento, aparece un código de información con un sonido de advertencia. Consulte los códigos de información en las páginas 51 y 52.</p>

# Operaciones

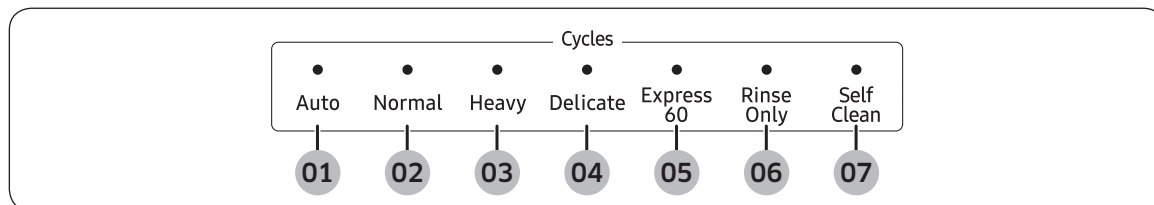
<p><b>09</b> Delay Start (Inicio retardado)</p>	<p>Retarde un ciclo hasta 24 horas, en incrementos de una hora. Para aumentar el tiempo del inicio retardado, presione o mantenga presionado el botón <b>Delay Start (Inicio retardado)</b>. La hora en pantalla indica el tiempo en el cual comenzará el lavado.</p> <ul style="list-style-type: none"> <li>- Después de configurar el tiempo de retardo, presione el botón <b>START (INICIO)</b> y cierre la puerta para iniciar el ciclo.</li> <li>- Si desea modificar el tiempo de retardo después de la puesta en marcha de la lavavajillas, presione el botón <b>Cancel (Cancelar)</b> y apague la lavavajillas. Luego encienda de nuevo la lavavajillas y seleccione un nuevo ciclo con una nueva configuración de inicio retardado.</li> </ul>
<p><b>10</b> START (INICIO)</p>	<p>Para iniciar un ciclo, presione el botón <b>START (INICIO)</b> antes de cerrar la puerta.</p> <p>*<b>Cancel &amp; Drain (Cancelar y drenar)</b>: Para cancelar un ciclo que esté ejecutándose y desaguar la lavavajillas, mantenga presionado el botón <b>START (INICIO)</b> durante tres (3) segundos.</p> <p>Una vez restablecida la lavavajillas, seleccione un ciclo y una opción y luego presione <b>START (INICIO)</b> para reiniciar la lavavajillas.</p>

## Indicadores



<p>Indicador de Bloqueo de controles</p>		<p>Se enciende cuando está activada la función Bloqueo de controles y parpadea si se presiona cualquier botón excepto <b>POWER (ENCENDIDO)</b>.</p>
<p>Indicador de Self Clean (Autolimpieza) (solo modelos aplicables)</p>		<p>Se enciende cuando está activada la función Self Clean (Autolimpieza) y parpadea durante 5 segundos cada 20 a 22 ciclos. El contador de ciclos desaparece cuando se completa el ciclo de autolimpieza o cuando la lavavajillas llega al 23<sup>er</sup> ciclo.</p>
<p>Indicador de Reponer producto de enjuague</p>		<p>Se enciende cuando la lavavajillas se queda sin producto de enjuague.</p>
<p>Smart Control</p>		<p>Se enciende si se activa la función <b>SmartThings</b>.</p>

## Descripción general de los ciclos



<b>01</b> Auto	Este ciclo detecta el nivel de suciedad e inicia automáticamente el ciclo óptimo luego de algunos minutos de funcionamiento.
<b>02</b> Normal	Utilice este ciclo para vajilla con suciedad normal. La etiqueta del uso de energía se basa en este ciclo.
<b>03</b> Heavy (Muy sucio)	Utilice este ciclo para vajilla muy sucia.
<b>04</b> Delicate (Vajilla delicada)	Utilice este ciclo para artículos frágiles sucios, tales como cristalería fina y copas de cristal (copas de vino). No utilice este ciclo para otros artículos de la vajilla porque pueden aparecer opacidades o marcas.
<b>05</b> Express 60 (Rápido 60)	Utilice este ciclo cuando desee lavar la vajilla rápidamente. Tarda aproximadamente 1 hora.
<b>06</b> Rinse Only (Solo enjuague)	Utilice para enjuagar platos, vasos y cubiertos que no es necesario lavar en ese momento. No utilice detergente.
<b>07</b> Self Clean (Autolimpieza)	Use la función autolimpieza para limpiar la tina de la lavavajillas. Si es necesaria la autolimpieza de la lavavajillas, el indicador de autolimpieza titila durante 5 segundos cuando la enciende. Si pone en marcha la lavavajillas cuando el indicador está parpadeando, este se apaga automáticamente. Ejecute siempre el ciclo de autolimpieza con la lavavajillas vacía. Nunca lo use como ciclo para lavar la vajilla.

# Operaciones

## Pasos sencillos para encender su lavavajillas

1. Abra la puerta y, luego, cargue la lavavajillas. Asegúrese de que los platos estén vacíos.
2. Si corresponde, coloque los platos en el estante inferior. En caso de agregar la opción **Zone Booster (Zona de refuerzo)**, coloque los platos en el lado izquierdo del estante inferior.
3. Agregue detergente en el dosificador. Para obtener mejores resultados, añada productos de enjuague en el compartimiento para el producto de enjuague.

### **NOTA**

Para lograr un mejor desempeño en el secado debería utilizar productos para el enjuague. Puede lograr un mejor desempeño del secado seleccionando la opción **Sanitize (Desinfección)**.

4. Presione **POWER (ENCENDIDO)** y seleccione un ciclo con las opciones necesarias (Lower Rack (estante inferior), Zone Booster (Zona de refuerzo), Speed Booster (Aumentar velocidad), Hi-Temp Wash (Lavado a alta temperatura), Sanitize (Desinfección)).  
Si cambia el ciclo después de seleccionar una opción, se regresa al ciclo original.
5. Presione el botón **POWER (ENCENDIDO)** y cierre la puerta antes de 3 segundos. La lavavajillas inicia el ciclo después de drenarse unos segundos.

### **NOTA**

- Para cambiar el ciclo una vez que se ha iniciado, mantenga presionado **START (INICIO)** durante 3 segundos para cancelarlo. A continuación, seleccione un nuevo ciclo.
- Para reanudar después de abrir la puerta para detener la lavavajillas durante el funcionamiento, simplemente presione **START (INICIO)** y cierre la puerta.

## Configuración

Puede modificar los ajustes de sonido, Auto Release™ Dry alert, Rinse aid amount, y Auto Release™ Dry según su preferencia. Para modificar los ajustes, presione los botones **Sanitize (Desinfección)** y **Delay Start (Inicio retardado)** simultáneamente durante 3 segundos. Presione **Sanitize (Desinfección)** para navegar por los submenús, y presione **Delay Start (Inicio retardado)** para confirmar los cambios.

Sonido	>	Alerta de secado	>	Cantidad de producto	>	Auto Release™ Dry
U1/U0		Auto Release™		de enjuague		(Secado)
		J1/J0		F1~F6		A1/A0

### Sonido

Presione **Sanitize (Desinfección)** hasta que aparezca 'U1' o 'U0'. Para silenciar la lavavajillas, seleccione 'U0', y, luego, presione **Delay Start (Inicio retardado)**. Para desactivar el silenciamiento, seleccione 'U1', y, luego, presione **Delay Start (Inicio retardado)**.

### Alerta de secado Auto Release™

Puede activar o desactivar la configuración que alerta cuando abre la puerta para iniciar la función de secado Auto Release™.

Presione **Sanitize (Desinfección)** hasta que aparezca 'J1' o 'J0'. Para desactivar la alerta Auto Release™, seleccione 'J0', y, luego, presione **Delay Start (Inicio retardado)**. Para activarla, seleccione 'J1', y, luego, presione **Delay Start (Inicio retardado)**.

### Cantidad de producto de enjuague

Presione **Sanitize (Desinfección)** hasta que aparezca 'F1~F6'. Cuanto más alto es el número, más cantidad de producto de enjuague utiliza la lavavajillas. Para mejorar el rendimiento del secado, seleccione un número superior.

Si los platos parecen decolorados después de un lavado, seleccione a un número inferior.

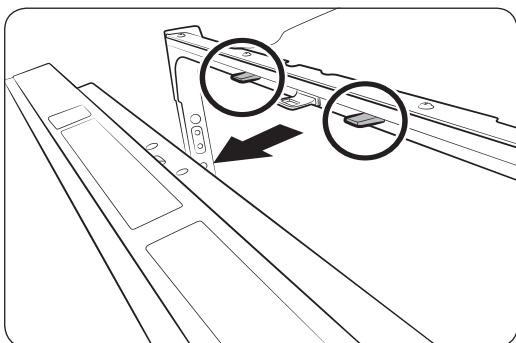
El nivel predeterminado de fábrica es 'F4'.

# Operaciones

## Auto Release™ Secado

La función de secado Auto Release™, diseñada para mejorar el desempeño del secado, abre automáticamente la puerta de la lavavajillas de 5 a 15 minutos antes de finalizar un ciclo.

Puede activar o desactivar el secado Auto Release™ en dos maneras: Con el modo de configuración o con las teclas de alternancia. Ambos métodos se describen a continuación.



Presione **Sanitize (Desinfección)** hasta que aparezca "A1" o "A0". Luego, presione **Delay Start (Inicio retardado)** para activar (A1) o desactivar (A0) secado Auto Release™.

**Uso de las teclas de alternancia:**

Presione el botón **Lower (Inferior) + Hi-Temp Wash (Lavado a alta temperatura)** durante 3 segundos para activar (A1) o desactivar (A0) secado Auto Release™.

### **NOTA**

- Cuando la puerta se abre en el modo de Secado Auto Release™, no se puede cerrar manualmente durante los 2 minutos siguientes.
- Desactivar (A0) el "Secado Auto Release™" puede afectar los resultados de secado. Active (A1) "Secado Auto Release™" para mejores resultados de secado.
- Una vez finalizado un ciclo, la puerta se abre automáticamente para que salga el vapor. Esto es normal y no se trata de un mal funcionamiento del producto.



## SmartThings

### Conexión Wi-Fi

En su teléfono inteligente, vaya a **Settings (Ajustes)** y conéctelo a su red de Wi-Fi hogareña.

### Descarga

En el mercado de aplicaciones (Google Play Store, Apple App Store, Samsung Galaxy Apps), busque la aplicación SmartThings utilizando "SmartThings" como término de búsqueda. Descargue e instale la aplicación en su dispositivo.

#### **NOTA**

- La aplicación SmartThings está diseñada para Android 6.0 (Marshmallow) o posterior, o iOS 10.0 o posterior, iPhone 6 o posterior, y está optimizada para teléfonos inteligentes Samsung (series Galaxy S y Galaxy Note).
- Para un mejor desempeño, la aplicación SmartThings está sujeta a cambios sin previo aviso o a la interrupción del soporte técnico, de acuerdo con la política del fabricante.

### Inicio de sesión

Primero debe iniciar una sesión en SmartThings con su cuenta Samsung. Para crear una nueva cuenta Samsung, siga las instrucciones de la aplicación. No necesita una aplicación separada para crear su cuenta.

#### **NOTA**

Si tiene una cuenta Samsung, utilícela para iniciar una sesión. Los usuarios de teléfonos inteligentes Samsung registrados inician la sesión automáticamente.

### Para registrar sus dispositivo en SmartThings

1. Asegúrese de que su teléfono inteligente esté conectado a una red inalámbrica.
2. Ejecute **SmartThings** en su teléfono. Los usuarios de iPhone deben ingresar información de inicio de sesión cada vez que utilicen la aplicación.
3. Cuando aparezca el mensaje de "Se detectó un nuevo dispositivo.", seleccione **Agregar**.
4. Si no aparece ningún mensaje, seleccione + y luego seleccione su lavavajillas en la lista de dispositivos disponibles. Si su lavavajillas no aparece en la lista, seleccione **Tipo de dispositivo > Modelo específico de dispositivo** y agregue su lavavajillas en forma manual.
5. Siga las instrucciones de pantalla para completar el proceso de conexión de su lavavajillas. Mantenga presionado el botón **Smart Control** durante más de 5 segundos hasta que el mensaje "AP" aparezca en la pantalla. Su lavavajillas quedará registrado en la aplicación.
6. Una vez finalizado el proceso, su lavavajillas aparecerá en la lista de dispositivos de la aplicación SmartThings.
7. Toque el icono del lavavajillas para abrir la página del lavavajillas.
8. Cuando se establezca una conexión de red, el icono de Wi-Fi se encenderá en su lavavajillas.

# Operaciones

## Aplicación del lavavajillas

Control integrado: Puede supervisar y controlar su lavavajillas en su casa y en viaje.

- Seleccione el icono del lavavajillas en SmartThings. Aparece la página del lavavajillas.
- Verifique el estado de operación o notificaciones relacionadas con su lavavajillas y luego modifique las opciones o ajustes si fuera necesario.

### **NOTA**

- Este dispositivo ha sido diseñado para uso doméstico únicamente (Clase B) y puede utilizarse en todas las zonas residenciales.
- Este dispositivo puede provocar interferencia inalámbrica y ni el fabricante ni el instalador pueden proporcionar medidas de seguridad de ningún tipo.
- Los métodos de encriptación recomendados son WPA/TKIP y WPA2/AES. No es compatible con los protocolos de Wi-Fi desarrollados recientemente o que todavía no se han aprobado.
- La sensibilidad de recepción de una red inalámbrica puede verse afectada por el entorno inalámbrico circundante.
- Si su proveedor de Internet ha registrado la dirección MAC de su OC o del módulo del módem para uso permanente, su lavavajillas Samsung no podrá conectarse a Internet. En este caso, comuníquese con su proveedor de Internet.
- El firewall de Internet puede interrumpir su conexión a Internet. Si ocurriera eso, comuníquese con su proveedor de Internet.
- Si su lavavajillas sigue sin poder conectarse a Internet después de haber seguido las instrucciones de su proveedor de Internet, comuníquese con su vendedor minorista o centro de servicios local de Samsung.
- Para instalar y configurar su enrutador alámbrico o inalámbrico, consulte el manual del enrutador.
- Su lavavajillas Samsung es compatible con los protocolos de Wi-Fi 2.4 GHz.
- Su lavavajillas Samsung es compatible con los protocolos IEEE802.11 b/g/n (2.4 GHz), Soft-AP. (se recomienda IEEE802.11n)
- Un enrutador alámbrico/inalámbrico no aprobado puede no conectarse con su lavavajillas Samsung.
- La aplicación SmartThings se encuentra disponible en dispositivos de terceros con Android OS 6.0 (Marshmallow) o superior, dispositivos Samsung con OS 5.0 (Lollipop) o superior y dispositivos iOS con iOS 10.0 o superior (para iPhone, debe contar con un iPhone 6 o superior). La aplicación está optimizada para teléfonos inteligentes Samsung (series Galaxy S y Note).
- Algunas funciones de la aplicación pueden funcionar en forma diferente en dispositivos de terceros.
- La aplicación está sujeta a cambios sin previo aviso a los efectos de mejorar su desempeño.

## SmartThings

Categoría	Verificación	Descripción
Supervisión	Estado de lavado	Puede verificar el ciclo actual y sus opciones y el tiempo restante del ciclo.
	Smart Control	El estado Smart Control aparece para la lavavajillas.
	Supervisión de energía	Utilice esta función para supervisar el estado de consumo de energía.
Control	Inicio/Pausa/Cancelar	Seleccione un ciclo y las opciones necesarias y luego seleccione Inicio/Pausa/Cancelar para iniciar una operación, para detenerlo temporalmente o para cancelar la operación actual.
	Mis favoritos	Agregue los ciclos utilizados con mayor frecuencia a Mis favoritos para uso posterior.
	Delay Start (Inicio retardado)	Configure el inicio retardado para iniciar el ciclo a la hora programada. (Demora de hasta 24 horas.)
Notificación	Ciclo finalizado	Notifica que su ciclo actual ha terminado.
	Detergente	Notifica si la lavavajillas se queda sin producto de enjuague.
Receta de lavado	Recomendación de ciclo	Recomienda el mejor ciclo con opciones óptimas para los platos cargados.
Asistente de cuidado de la casa	Mantenimiento	El asistente presenta un servicio de manejo de dispositivos, supervisión de energía, un diario de la lavavajillas y una guía de uso.

# Operaciones

## Características especiales

### Inicio retardado

Puede retrasar el tiempo de inicio de un ciclo hasta 24 horas en incrementos de 1 hora. Para aumentar el tiempo de inicio retardado, presione **Delay Start (Inicio retardado)**. La hora en pantalla indica el tiempo en el cual comenzará el ciclo.

1. Abra la puerta y, luego, cargue la lavavajillas.
2. Presione **Delay Start (Inicio retardado)** y, luego, mantenga presionado **Delay Start (Inicio retardado)** para cambiar el tiempo en incrementos de 1 hora.
3. Cierre la puerta y, luego, presione **START (INICIO)**.

#### **NOTA**

Para modificar el tiempo de retardo después de la puesta en marcha de la lavavajillas, presione **POWER (ENCENDIDO)** y reinicie la lavavajillas.

### Controles táctiles

Los controles táctiles le permiten operar fácilmente la lavavajillas.

- Se activan fácilmente con un toque suave.
- Tienen un diseño sencillo y elegante.
- Son fáciles de limpiar.

#### **NOTA**

Si tiene niños o desea limpiar la Interfaz de control, recomendamos activar la función de bloqueo para controles para bloquear los botones de control.

### Bloqueo de controles

Para evitar que los niños jueguen con la lavavajillas, Bloqueo de controles bloquea todos los botones excepto **POWER (ENCENDIDO)**.

- Para activarlo, mantenga presionado **Sanitize (Desinfección)** durante 3 segundos. Con Bloqueo de controles activado, no es posible seleccionar ciclos u opciones ni iniciar una operación.
- Para desactivarlo, mantenga presionado nuevamente **Sanitize (Desinfección)** durante 3 segundos.
- Bloqueo de controles permanece activo después de reiniciar la lavavajillas. Para cancelarlo, primero debe desactivarlo.

# Mantenimiento

## Limpieza

Mantenga limpia la lavavajillas para mejorar su rendimiento, reducir la cantidad de reparaciones innecesarias y alargar su vida útil.

### Exterior

Limpie los derrames en la superficie de la lavavajillas a medida que ocurran. Utilice un paño suave y húmedo para limpiar suavemente todos los derrames y el polvo del panel de control.

#### ⚠ PRECAUCIÓN

- No utilice benceno, cera, diluyente, blanqueador a base de cloro, alcohol u otras sustancias químicas. Estos materiales pueden decolorar la superficie de la lavavajillas y ocasionar manchas.
- La lavavajillas tiene piezas eléctricas en su interior. No rocíe agua directamente sobre la lavavajillas. Proteja los componentes eléctricos para evitar que entren en contacto con el agua.
- Para un panel en puerta de acero inoxidable, limpie con un limpiador de acero inoxidable para electrodomésticos y un paño limpio y suave.

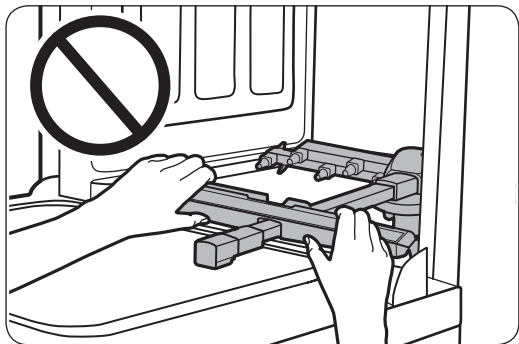
### Interior

Limpie con regularidad el interior de la lavavajillas para eliminar las partículas de suciedad o comida. Limpie el interior de la lavavajillas y de la puerta con un paño húmedo. Para mantener un nivel de limpieza óptimo, recomendamos ejecutar el ciclo de autolimpieza periódicamente con la lavavajillas vacía.

Para mantener limpia la rejilla para cubiertos, voltéela luego de usarla. Para eliminar las manchas blancas y los olores de la rejilla para cubiertos, ejecute el ciclo de autolimpieza con la lavavajillas vacía y sin detergente hasta que se purgue la rejilla para cubiertos. Luego, detenga el ciclo y agregue una taza de 8 onzas de vinagre blanco en la canasta inferior. Cierre la puerta y reanude el ciclo.

#### ⚠ PRECAUCIÓN

No quite el sello frontal (el sello de goma largo que rodea la abertura de la lavavajillas). El sello mantiene el interior de la lavavajillas sellado.



Utilice un paño húmedo para eliminar los depósitos de cal o grasa dentro de la lavavajillas. Como alternativa, agregue un poco de detergente y, luego, ejecute un ciclo vacío usando la temperatura de enjuague más alta.

#### ⚠ PRECAUCIÓN

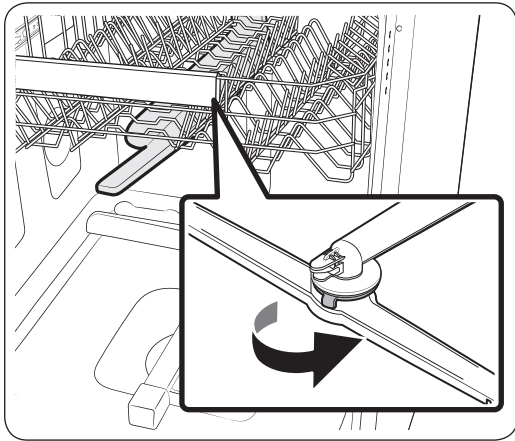
Para evitar dañar el motor, tenga cuidado al mover manualmente el reflector de agua.

# Mantenimiento

## Boquillas

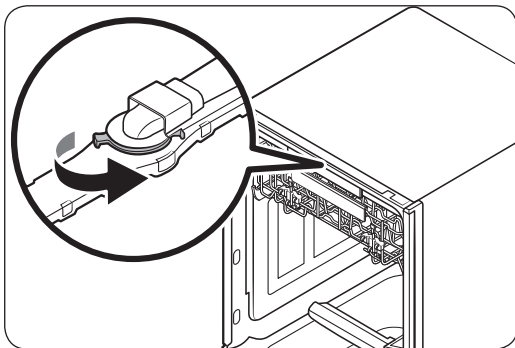
Para evitar que las boquillas se atasquen o si las boquillas están obstruidas, retire y limpie cada una. Tenga cuidado al retirar las boquillas porque pueden romperse.

### Boquilla superior



1. Abra la puerta y, luego, jale el estante superior para revelar la boquilla superior.
2. Gire hacia la izquierda y retire la tapa de la boquilla; luego, retire la boquilla.
3. Desobstruya y limpie la boquilla.
4. Vuelva a insertar la boquilla y, luego, ajuste la tuerca hacia la derecha.
5. Gire manualmente la boquilla para asegurarse de que esté bien enganchada.

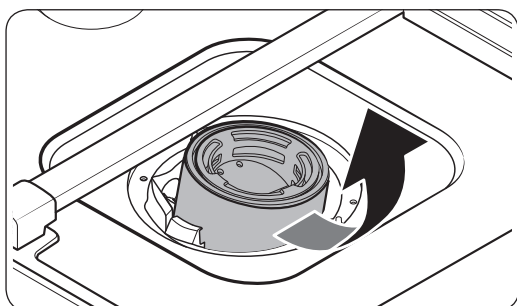
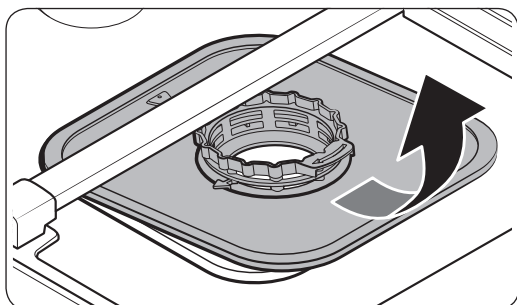
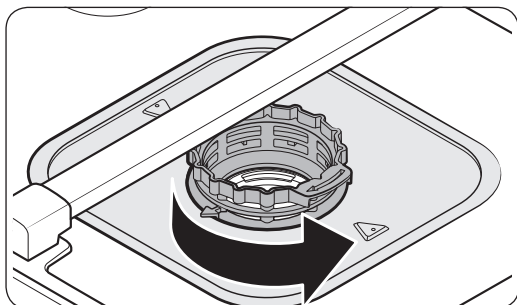
### Boquilla techo



1. Verifique que los orificios de la boquilla no estén obstruidos con partículas de comida.
2. Si hace falta limpiarla, retire la boquilla del techo.
3. Para retirar la boquilla del techo, quite primero el estante superior, afloje la tapa de la boquilla girándola en sentido contrario al de las agujas del reloj y luego extraiga la boquilla.
4. Limpie la boquilla, insértela nuevamente y ajuste la tapa de la boquilla girándola en el sentido de las agujas del reloj.
5. Haga rotar manualmente la boquilla para verificar que haya quedado instalada correctamente.

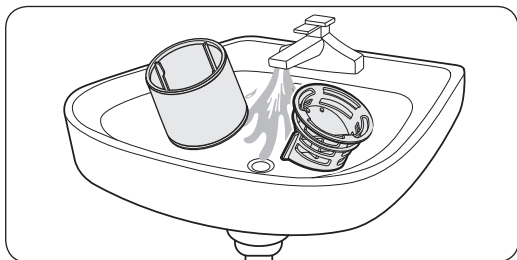
## Filtro

Recomendamos limpiar el filtro de forma mensual.

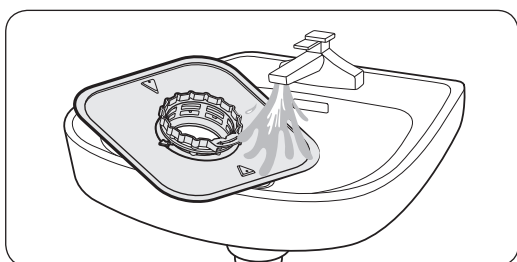


1. Abra la puerta y, luego, retire el estante inferior.
2. Gire la manija del filtro hacia la izquierda para destrabar la cubierta del filtro.
3. Retire la cubierta y, luego, el microfiltro cilíndrico que está debajo.

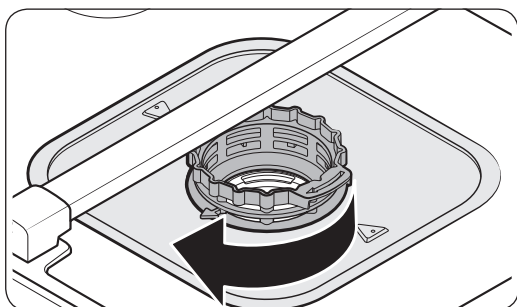
# Mantenimiento



4. Elimine la suciedad y las impurezas del microfiltro y la cubierta del filtro.
5. Enjuague con agua corriente y, luego, seque bien.



6. Vuelva a insertar el filtro y, luego, la cubierta.
7. Gire la manija del filtro hacia la derecha para bloquearlo.



## PRECAUCIÓN

Asegúrese de que la cubierta del filtro esté bien cerrada. Una cubierta suelta puede reducir el rendimiento del filtrado.

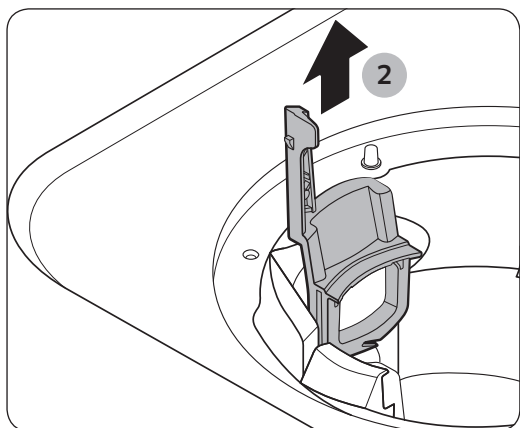
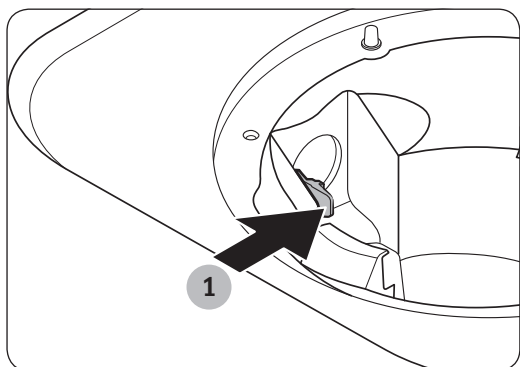
## Cuidado a largo plazo

Si no va a utilizar la lavavajillas durante un período de tiempo prolongado, primero drene completamente la unidad y, a continuación, desconecte la manguera de agua. Cierre la válvula de suministro de agua y corte el disyuntor. El agua que queda en las mangueras o en los componentes internos puede dañar la lavavajillas.



## Limpeza de la bomba de drenaje

Si la lavavajillas no desagua porque la bomba de drenaje está obstruida con objetos extraños, o esta produce un ruido anormal, deberá desatascar y limpiar la bomba como se indica a continuación.



1. Retire el estante inferior.
2. Consulte la sección "Filtro" para retirar el microfiltro cilíndrico.
3. Retire la humedad del filtro con una esponja.
4. Retire la tapa de la bomba de drenaje empujando la manija en la dirección de la flecha (1) y, luego, levantándola (2).
5. Revise el estado del impulsor. Luego, retire los objetos extraños de la bomba.
6. Vuelva a colocar la tapa de la bomba de drenaje y presione hacia abajo hasta que oiga un clic.

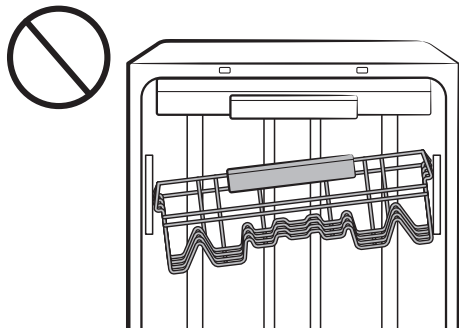
## Cómo guardar la lavavajillas

Si necesita guardar su lavavajillas durante un período prolongado, primero drénela y desconéctela. Si queda agua en las mangueras y los componentes internos se puede dañar la lavavajillas.

Después de drenar y desconectar la lavavajillas, asegúrese de cerrar la válvula de suministro de agua y de cortar el disyuntor.

# Solución de problemas

## Intente implementar las siguientes soluciones si su lavavajillas...

Problema	Causa posible	Solución
No enciende.	La puerta no está completamente cerrada.	<ul style="list-style-type: none"> <li>Verifique que la puerta esté trabada y completamente cerrada. Verifique si el estante superior está unido correctamente a la boquilla del conducto.</li> <li>Verifique asimismo si el estante superior está torcido o desnivelado.</li> </ul> 
	No se presionó el botón <b>START (INICIO)</b> .	<ul style="list-style-type: none"> <li>Consulte el código de información que aparece en la pantalla.</li> </ul>
	No funciona para nada.	<ul style="list-style-type: none"> <li>Asegúrese de que el cable de alimentación esté correctamente conectado.</li> </ul>
	No funciona el suministro de agua.	<ul style="list-style-type: none"> <li>Verifique que la válvula de suministro de agua esté abierta.</li> </ul>
	El panel de control está bloqueado.	<ul style="list-style-type: none"> <li>Desactive el bloqueo para niños (consulte la página <b>31</b>).</li> </ul>
Un disyuntor está abierto.	<ul style="list-style-type: none"> <li>Reinicie el disyuntor.</li> </ul>	
Una operación o ciclo está demorando demasiado.	La lavavajillas está conectada al suministro de agua fría.	<ul style="list-style-type: none"> <li>Verifique que el conducto esté conectado al suministro de agua fría. Para funcionar con eficacia, la lavavajillas debe estar conectada a un suministro de agua caliente. (Si está conectada a un suministro de agua fría, se requiere más tiempo para calentar el agua fría.)</li> </ul>

Problema	Causa posible	Solución
La vajilla presenta partículas de comida. (La limpieza no es adecuada).	El ciclo seleccionado no es el adecuado.	<ul style="list-style-type: none"> <li>• Seleccione un ciclo de acuerdo con la cantidad de vajilla y su nivel de suciedad, tal como lo indica este manual.</li> </ul>
	La temperatura del agua es baja.	<ul style="list-style-type: none"> <li>• Conecte la tubería de suministro de agua a la llave del agua caliente. Para obtener el mejor desempeño, la temperatura del agua suministrada debe ser de 120 °F (49 °C).</li> </ul>
	Presión de agua baja.	<ul style="list-style-type: none"> <li>• La presión del agua debe estar entre 20 y 120 psi (140-830 kPa).</li> </ul>
	El agua es demasiado dura.	<ul style="list-style-type: none"> <li>• Use un limpiador para lavavajillas comercial.</li> <li>• Utilice un detergente fresco, de alta calidad, con producto de enjuague.</li> </ul>
	No se usó detergente para lavavajillas.	<ul style="list-style-type: none"> <li>• Utilice detergente para lavavajillas automático.</li> <li>• Recomendamos el uso de detergente en polvo o de una tableta de detergente multifunción para lavavajillas.</li> </ul>
	Quedan restos de detergente en el dosificador.	<ul style="list-style-type: none"> <li>• Asegúrese de que los artículos grandes, como láminas para hornear galletas, tablas para cortar, recipientes, etc. no bloqueen el dosificador de detergente o impidan que se abra adecuadamente.</li> <li>• Reacomode la vajilla de manera que no interfiera con el funcionamiento del dosificador del detergente.</li> </ul>

# Solución de problemas

Problema	Causa posible	Solución
La vajilla presenta partículas de comida. (La limpieza no es adecuada).	No hay producto de enjuague.	<ul style="list-style-type: none"> <li>• Verifique el dosificador y agregue agente de enjuague.</li> <li>• Utilice un agente de enjuague líquido.</li> </ul>
	Hay una boquilla obstruida.	<ul style="list-style-type: none"> <li>• Limpie la boquilla. Consulte la página 42.</li> </ul>
	La vajilla no se cargó correctamente. Se cargó demasiada vajilla.	<ul style="list-style-type: none"> <li>• Reacomode la vajilla de manera que no interfiera con la rotación de la boquilla ni con el funcionamiento del dosificador del detergente.</li> <li>• Cargue solamente la cantidad adecuada de platos.</li> <li>• Cargue la vajilla según las recomendaciones. (Consulte la página 21.)</li> <li>• Cargue los artículos muy sucios en el área de la Zone Booster (Zona de refuerzo). (Véase la página 21)</li> </ul>
	Los filtros están obstruidos o no están ajustados correctamente. (Quedan restos de alimentos en el filtro.)	<ul style="list-style-type: none"> <li>• Elimine los restos de comida de la vajilla antes de cargarla. (No realice un enjuague previo.)</li> <li>• Limpie el filtro. (Consulte la página 43.)</li> <li>• Asegúrese de que los filtros estén bien ajustados.</li> </ul>
Deja los vasos con una ligera película.	El agua suministrada es blanda y se ha usado demasiado detergente.	<ul style="list-style-type: none"> <li>• Disminuya la carga de la lavavajillas y utilice un agente de enjuague para minimizar esto.</li> </ul>
	La carga incluye vajilla de aluminio.	<ul style="list-style-type: none"> <li>• Elimine las marcas de la vajilla con un limpiador de baja sensibilidad.</li> </ul>
Deja una película amarilla o marrón en el interior de la lavavajillas.	Esto es debido a restos de café o té.	<ul style="list-style-type: none"> <li>• Elimine esta suciedad con un limpiador de manchas.</li> <li>• Use un ciclo con una temperatura más alta.</li> </ul>

Problema	Causa posible	Solución
Los platos no se secan bien.	No hay producto de enjuague en el dosificador o no se utilizó suficiente.	<ul style="list-style-type: none"> <li>• Verifique el dosificador y agregue agente de enjuague.</li> <li>• Use un producto líquido para el enjuague.</li> <li>• Verifique la configuración relacionada con el producto de enjuague.</li> </ul>
	Cuando la lavavajillas está funcionando, la temperatura del agua es baja.	<ul style="list-style-type: none"> <li>• Conecte la tubería de suministro de agua a la llave del agua caliente.</li> <li>• Utilice producto de enjuague con la opción <b>Sanitize (Desinfección)</b>.</li> </ul>
	Se cargó demasiada vajilla.	<ul style="list-style-type: none"> <li>• La carga inadecuada de los elementos puede afectar el secado.</li> <li>• Cargue la vajilla según las recomendaciones. (Consulte la página 21.)</li> </ul>
	Los vasos y las copas cóncavos retienen agua. El agua puede derramarse sobre otros objetos al sacarlos.	<ul style="list-style-type: none"> <li>• Luego de finalizar el ciclo, vacíe primero el estante inferior y luego el superior. Esto evitará que el agua del estante superior gotee sobre la vajilla del estante inferior.</li> </ul>
	Auto Release™ está desactivado.	<ul style="list-style-type: none"> <li>• Active el Secado Auto Release™. Presione los botones <b>Lower (Inferior) + Hi-Temp Wash (Lavado a alta temperatura)</b> durante 3 segundos para acceder al menú Auto Release™. Seleccione "A1" para activar el Secado Auto Release™.</li> </ul>
	Se utilizaron múltiples tabletas de detergente sin seleccionar la opción <b>Sanitize (Desinfección)</b> .	<ul style="list-style-type: none"> <li>• Seleccione la función <b>Sanitize (Desinfección)</b> o utilice un agente de enjuague.</li> </ul>

# Solución de problemas

Problema	Causa posible	Solución
Tiene mal olor.	Quedó agua después de un ciclo incompleto.	<ul style="list-style-type: none"> <li>• Limpie la lavavajillas ejecutando el ciclo <b>Self Clean (Autolimpieza)</b> con la lavavajillas vacía y sin detergente.</li> </ul>
	La manguera de desagüe está obstruida.	<ul style="list-style-type: none"> <li>• Comuníquese con un técnico de servicio calificado para eliminar cualquier obstrucción de la manguera de drenaje.</li> </ul>
	No usa la lavavajillas cada día o deja vajilla sucia en la unidad demasiado tiempo.	<ul style="list-style-type: none"> <li>• Con la lavavajillas vacía y sin detergente, coloque un vaso con 8 onzas de vinagre en posición vertical en el estante inferior y, luego, ejecute un ciclo de <b>Self Clean (Autolimpieza)</b>.</li> </ul>
Hace demasiado ruido.	Cuando la cubierta del dosificador está abierta y el funcionamiento de la bomba de desagüe está en las primeras etapas, se genera ruido.	<ul style="list-style-type: none"> <li>• Este funcionamiento es normal.</li> </ul>
	La lavavajillas no está nivelada.	<ul style="list-style-type: none"> <li>• Asegúrese de que la lavavajillas esté nivelada.</li> </ul>
	Hay materiales extraños (un tornillo, una pieza de plástico) en la cámara de la bomba.	<ul style="list-style-type: none"> <li>• Comuníquese con un técnico de servicio calificado para eliminar cualquier material extraño de la cámara de la bomba.</li> </ul>
	Se escucha un "golpeteo" porque una boquilla golpea contra la vajilla.	<ul style="list-style-type: none"> <li>• Reacomode la vajilla.</li> </ul>
La boquilla no gira fácilmente.	Los orificios de la boquilla están obstruidos con partículas de comida.	<ul style="list-style-type: none"> <li>• Limpie los orificios de la boquilla. (Consulte la página 42.)</li> </ul>
	Un plato o una olla bloquean la boquilla y esta no puede girar.	<ul style="list-style-type: none"> <li>• Después de colocar los platos en los estantes, gire las boquillas de forma manual para verificar si alguno de los platos interfiere con ellas.</li> </ul>
No se vacía el agua de la lavavajillas.	El drenaje se obstruyó.	<ul style="list-style-type: none"> <li>• Para limpiar la bomba de drenaje, retire la tapa de la bomba. (Consulte la página 45.)</li> </ul>
Presenta su estante superior doblado luego de cargar los platos.	Se cargó incorrectamente la vajilla.	<ul style="list-style-type: none"> <li>• Cargue la vajilla según las recomendaciones. (Consulte la página 21.)</li> </ul>

Problema	Causa posible	Solución
No se puede cerrar la puerta.	El modo de Secado Auto Release™ está en uso.	<ul style="list-style-type: none"> <li>Cuando la puerta se abre en el modo de Secado Auto Release™, no se puede cerrar manualmente durante los 2 minutos siguientes. Puede cerrar la puerta después de 2 minutos.</li> </ul>
No se inicia Smart Control.	El registro del dispositivo no ha finalizado.	<ul style="list-style-type: none"> <li>Finalice el registro del dispositivo. (Consulte la página 37.)</li> </ul>
	La puerta no se cierra durante los 3 segundos siguientes a presionar el <b>Smart control</b> .	<ul style="list-style-type: none"> <li>Empuje la puerta hasta cerrarla firmemente durante los 3 segundos siguientes a presionar el <b>Smart Control</b>.</li> </ul>

## Códigos de información

El panel de control muestra códigos de información para ayudarle a comprender mejor qué ocurre con la lavavajillas.

Código	Acción
LC	<p><b>Verificación de fugas.</b></p> <ul style="list-style-type: none"> <li>Si se producen fugas desde la conexión de la válvula de suministro de agua, cierre la válvula y vaya al panel del disyuntor de su casa, apague el disyuntor de la lavavajillas y, luego, comuníquese con el instalador para que realice la reparación. Si el problema continúa, contacte a un centro de servicio técnico de Samsung autorizado.</li> </ul>
4C	<p><b>Control de suministro de agua.</b></p> <ul style="list-style-type: none"> <li>Verifique si la válvula de suministro de agua está cerrada, si se ha suspendido el suministro de agua o si el conducto o la válvula de entrada de agua están congelados u obstruidos. Si el problema continúa, cierre la válvula del suministro de agua y contacte a un servicio técnico de Samsung autorizado.</li> </ul>
5C	<p><b>Control del drenaje.</b></p> <ul style="list-style-type: none"> <li>Luego de cerrar la válvula de suministro de agua, revise si la manguera de desagüe está obstruida o doblada. Además, verifique si el orificio de desagüe está obstruido. Si el problema continúa, contacte a un centro de servicio técnico de Samsung autorizado.</li> </ul>

# Solución de problemas

Código	Acción
HC	<b>Control de calentamiento de temperatura alta.</b> <ul style="list-style-type: none"><li>Control funcional. Con la lavavajillas vacía, agregue detergente y, luego, ejecute un ciclo. Si el problema continúa, vaya al panel del disyuntor de su casa, desconecte el disyuntor de la lavavajillas y contacte a un servicio técnico de Samsung autorizado.</li></ul>
3C	<b>Control del funcionamiento de la bomba.</b> <ul style="list-style-type: none"><li>Control funcional. Apague la lavavajillas y enciéndala nuevamente. Si el problema continúa, contacte a un centro de servicio técnico de Samsung autorizado.</li></ul>
PC	<b>Control de funcionamiento del lavado de zona.</b> <ul style="list-style-type: none"><li>Control funcional. Apague la lavavajillas y enciéndala nuevamente. Si el problema continúa, contacte a un centro de servicio técnico de Samsung autorizado.</li></ul>
AP	<b>Conexión con el teléfono inteligente.</b> <ul style="list-style-type: none"><li>Cuando el panel de control muestre 'AP', mantenga presionado <b>Smart Control</b> en el panel de control para conectar la lavavajillas con el teléfono inteligente.</li><li>Al seleccionar <b>Smart Control</b>, <b>AP</b> titila durante 3 segundos.</li><li>Al ir a los ajustes de WiFi para conectividad, el panel de control muestra <b>AP</b>.</li></ul>

Para los códigos que no figuran más arriba, llame al 1-800-SAMSUNG (726-7864).



# Tabla de ciclos

Ciclo		Auto	Normal	Heavy (Muy sucio)
Secuencia de enjuague		Prelavado ▶ Lavado principal▶ Enjuague ▶ Enjuague caliente ▶ Secado ▶ Fin	Prelavado ▶ Lavado principal▶ Enjuague ▶ Enjuague caliente ▶ Secado ▶ Fin	Prelavado ▶ Lavado principal▶ Enjuague ▶ Enjuague caliente ▶ Secado ▶ Fin
Temp [°F (°C)]	Lavado principal	122-140 (50-60)	113-144 (45-62)	149 (65)
	Enjuague caliente *Sanitize (Desinfección) 163 °F (73 °C)	145-154 (63-68)	129-149 (54-65)	154 (68)
Consumo de agua [gal (ℓ)]		4.1-5.3 (15.6-19.9)	2.5-5.7 (9.6-21.4)	5.6 (21.3)
Tiempo del ciclo (min.)		110-136	130-148	155
Opciones disponibles	Lower Rack (Estante inferior)	0	0	0
	Speed Booster (Aumentar velocidad)	0	0	0
	Zone Booster (Zona de refuerzo)	0	0	0
	Hi-Temp Wash (Lavado a alta temperatura)	0	0	0
	Sanitize (Desinfección)	0	0	0
	Delay Start (Inicio retardado)	0	0	0

# Tabla de ciclos

Ciclo		Delicate (Vajilla delicada)	Express 60 (Rápido 60)	Rinse Only (Solo enjuague)
Secuencia de enjuague		Prelavado ▶ Lavado principal ▶ Enjuague ▶ Enjuague caliente ▶ Secado ▶ Fin	Lavado principal ▶ Enjuague ▶ Enjuague caliente ▶ Secado ▶ Fin	Enjuague ▶ Fin
Temp [°F (°C)]	Lavado principal	122 (50)	126 (52)	
	Enjuague caliente *Sanitize (Desinfección) 163 °F (73 °C)	149 (65)	140 (60)	104 (40)
Consumo de agua [gal (ℓ)]		4.5 (17.0)	2.9 (11.1)	1.1 (4.1)
Tiempo del ciclo (min.)		112	60	14
Opciones disponibles	Lower Rack (Estante inferior)	0	0	0
	Speed Booster (Aumentar velocidad)	0	X	X
	Zone Booster (Zona de refuerzo)	X	0	X
	Hi-Temp Wash (Lavado a alta temperatura)	X	0	X
	Sanitize (Desinfección)	X	0	X
	Delay Start (Inicio retardado)	0	0	0

- Cuando selecciona el ciclo **Auto (Automático)** o **Normal**, ejecutar los ciclos **Prelavado** y **Enjuague** dependerá del nivel de suciedad de la vajilla.
- El consumo de agua y el tiempo de lavado depende de los pasos o las opciones que agregue, y de la presión y la temperatura del agua suministrada.
- Cuando falta producto de enjuague, el tiempo de lavado y la temperatura del último enjuague se pueden incrementar un poco.

# Apéndice

## Ayuda al medio ambiente

- Esta lavavajillas se fabrica con materiales reciclables. Si decide deshacerse de ella, siga la normativa local relacionada con la eliminación de desechos. Corte el cable de alimentación para que el aparato no pueda conectarse a una fuente de alimentación.
- Quite la puerta para que los animales y los niños pequeños no puedan quedar atrapados dentro del electrodoméstico.
- No utilice cantidades de detergente superiores a las recomendadas por el fabricante del detergente.

## Especificaciones

MODELO	DW80R9950**	
Tipo	Lavavajillas integrable	
Alimentación	120 V / 60 Hz CA solamente, disyuntor de 15 A	
Capacidad de lavado	15 puestos	
Presión de agua utilizada	20-120 psi (140-830 kPa)	
Uso de potencia nominal	Motor de lavado	60-100 W
	Calentador	1100 W
Dimensiones (Ancho x Profundidad x Altura)	23 $\frac{3}{8}$ x 25 x 33 $\frac{3}{8}$ pulgada (605 x 636 x 860 mm)	
Peso (Sin empaque)	90 lb (43 kg)	

# Garantía limitada (Estados Unidos)

LAVAVAJILLAS SAMSUNG

## GARANTÍA LIMITADA AL COMPRADOR CONSUMIDOR ORIGINAL CON PRUEBA DE COMPRA

El presente producto de la marca SAMSUNG, tal como lo provee y distribuye SAMSUNG ELECTRONICS AMERICA, INC. (SAMSUNG) y lo entrega como nuevo, en su caja de cartón original al comprador consumidor original, está garantizado por SAMSUNG contra defectos de fabricación de los materiales o la mano de obra durante el período limitado de la garantía, a partir de la fecha original de compra, de:

Un (1) año para todas las piezas y la mano de obra

Cinco (5) años para las piezas de movimiento lineal\*, la placa de circuito impreso, los estantes, el revestimiento de la puerta y la tina de acero inoxidable por pérdidas (piezas solamente)

\* Piezas de movimiento lineal: Motor AC de accionamiento por correa (motor de engranajes), correa de distribución en V, riel, riel de soporte (frontal superior, frontal inferior)

La presente garantía limitada es válida únicamente para productos comprados y usados en Estados Unidos que fueron instalados, operados y mantenidos de acuerdo con las instrucciones adjuntas o provistas con el producto. Para recibir el servicio técnico en garantía, el comprador debe comunicarse con SAMSUNG en la dirección o el teléfono que figuran más abajo con el fin de que se determine el problema y los procedimientos del servicio. El servicio técnico de la garantía solo puede ser prestado por un centro de servicio técnico autorizado de SAMSUNG. Para recibir el servicio técnico en garantía debe presentarse la factura original de compra fechada cuando así lo solicite SAMSUNG o el Centro de Servicio autorizado Samsung como prueba de compra.

Samsung brindará servicio técnico a domicilio dentro del territorio contiguo de Estados Unidos durante el período de garantía sin cargo, sujeto a la disponibilidad de los centros de servicio autorizados por SAMSUNG dentro de la zona geográfica del cliente. Si el servicio técnico a domicilio no está disponible, SAMSUNG puede, a su elección, optar por transportar el producto hasta y desde un centro de servicio técnico autorizado. Si el producto está ubicado en una zona en la que no se encuentra disponible ningún centro de servicio autorizado por SAMSUNG, usted podrá ser responsable del cargo por transporte o se le podrá requerir que transporte el producto a un centro de servicio autorizado por SAMSUNG para recibir asistencia técnica.

Para recibir el servicio técnico a domicilio, el producto no debe presentar obstrucciones y debe ser accesible para el agente del servicio técnico.

Durante el periodo de garantía aplicable, el producto se reparará o se reemplazará, o se devolverá el importe de compra, a la entera discreción de SAMSUNG. SAMSUNG podrá usar piezas nuevas o reacondicionadas para la reparación del producto, o reemplazar el producto por un producto nuevo o reacondicionado. La vigencia de la garantía de las piezas y los productos reemplazados será por el período restante de la garantía original del producto o por un período de noventa (90) días, el que sea el más largo. Todas las piezas y los productos reemplazados son propiedad de SAMSUNG y deben ser devueltos a SAMSUNG.

---

La presente garantía limitada cubre defectos de fabricación de los materiales o la mano de obra que ocurran durante el uso normal y doméstico de este producto y no cubrirá lo siguiente: daños que ocurran durante el envío, entrega e instalación y usos para los cuales el presente producto no fue destinado; daños causados por modificación o alteración no autorizada del producto; producto cuyos números de serie originales de fábrica fueron eliminados, desfigurados, alterados en algún modo o que no se puedan determinar fácilmente; daños cosméticos incluyendo rayones, hendiduras, abolladuras y otros daños al acabado del producto; daño causado por abuso o mal uso, plagas, accidente, incendio, inundación u otros casos fortuitos o de fuerza mayor; daño causado por el uso de equipo, utilidades, servicios, piezas, suministros, accesorios, aplicaciones, instalaciones, reparaciones, cableado externo o conectores no provistos ni autorizados por SAMSUNG; daño causado por línea eléctrica o voltaje incorrecto, fluctuaciones y sobretensión; daño causado por no operar y mantener el producto de acuerdo con las instrucciones; instrucción a domicilio acerca de cómo usar el producto; y servicio técnico para corregir una instalación que no cumpla con los códigos eléctricos o de plomería o corrección de cableado eléctrico o tuberías (es decir, cableado doméstico, fusibles o mangueras de entrada de agua).

El costo de reparación o reemplazo bajo estas circunstancias excluidas será responsabilidad del cliente.

Las visitas de un proveedor de servicio técnico autorizado para explicar funciones, mantenimiento o instalación del producto no se cubren bajo esta garantía limitada. Comuníquese con Samsung al número que figura abajo para obtener ayuda con cualquiera de estos problemas.

#### **EXCLUSIÓN DE GARANTÍAS IMPLÍCITAS**

LAS GARANTÍAS IMPLÍCITAS, INCLUYENDO GARANTÍAS IMPLÍCITAS DE COMERCIABILIDAD O APTITUD PARA UN PROPÓSITO EN PARTICULAR, ESTÁN LIMITADAS A UN AÑO O AL PERIODO MÁS CORTO PERMITIDO POR LA LEY. Algunos estados no permiten limitaciones en cuanto al periodo de vigencia de una garantía implícita, de tal forma que las limitaciones o exclusiones mencionadas tal vez no se apliquen a usted en particular. Esta garantía le otorga derechos específicos, e incluso usted también puede tener otros derechos que varían de un estado a otro.

# Garantía limitada (Estados Unidos)

---

## LIMITACIÓN DE RECURSOS

EL ÚNICO Y EXCLUSIVO RECURSO ES LA REPARACIÓN DEL PRODUCTO, EL REEMPLAZO DEL PRODUCTO O LA DEVOLUCIÓN DEL IMPORTE DE COMPRA, A DISCRECIÓN DE SAMSUNG, CONFORME A ESTA GARANTÍA LIMITADA. SAMSUNG NO SERÁ RESPONSABLE POR DAÑOS ESPECIALES, IMPREVISTOS O DERIVADOS, INCLUYENDO ENTRE OTROS, TIEMPO FUERA DEL TRABAJO, HOTELES Y/O COMIDAS EN RESTAURANTES, GASTOS DE REMODELACIÓN, PÉRDIDAS DE INGRESOS O GANANCIAS, INCAPACIDAD DE GENERAR AHORROS U OTROS BENEFICIOS INDEPENDIENTEMENTE DE LA TEORÍA LEGAL EN LA QUE SE BASE EL RECLAMO, E INCLUSO SI SAMSUNG HA SIDO ADVERTIDA DE LA POSIBILIDAD DE DICHOS DAÑOS. Algunos estados no permiten la exclusión o la limitación de daños imprevistos o derivados, por lo que las limitaciones o exclusiones mencionadas tal vez no se apliquen a usted en particular. Esta garantía le otorga derechos específicos, e incluso usted también puede tener otros derechos que varían de un estado a otro.

SAMSUNG no garantiza el funcionamiento ininterrumpido o sin errores del producto. Ningún aval o garantía otorgados por otra persona, compañía o corporación con respecto al presente producto revestirá carácter vinculante para SAMSUNG.

Para obtener el servicio de garantía, comuníquese con SAMSUNG en:

Samsung Electronics America, Inc.

85 Challenger Road

Ridgefield Park, NJ 07660

1-800-SAMSUNG (726-7864)

[www.samsung.com/us/support](http://www.samsung.com/us/support)

# Notas

---



Scan the QR code\* or visit  
[www.samsung.com/spsn](http://www.samsung.com/spsn)  
 to view our helpful  
 How-to Videos and Live Shows

\*Requires reader to be installed on your smartphone

[bit.ly/samsungdishwashers](https://bit.ly/samsungdishwashers)

**¿TIENE ALGUNA PREGUNTA O ALGÚN COMENTARIO?**

PAÍS	LLAME AL	O VISÍTENOS EN LÍNEA EN
U.S.A	1-800-SAMSUNG (726-7864)	<a href="http://www.samsung.com/us/support">www.samsung.com/us/support</a>
MEXICO	800-SAMSUNG	<a href="http://www.samsung.com/mx/support">www.samsung.com/mx/support</a>



DD68-00209A-04