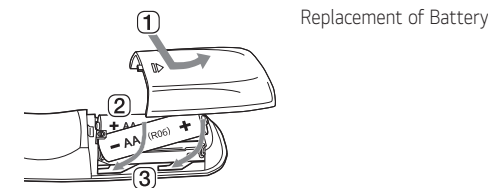
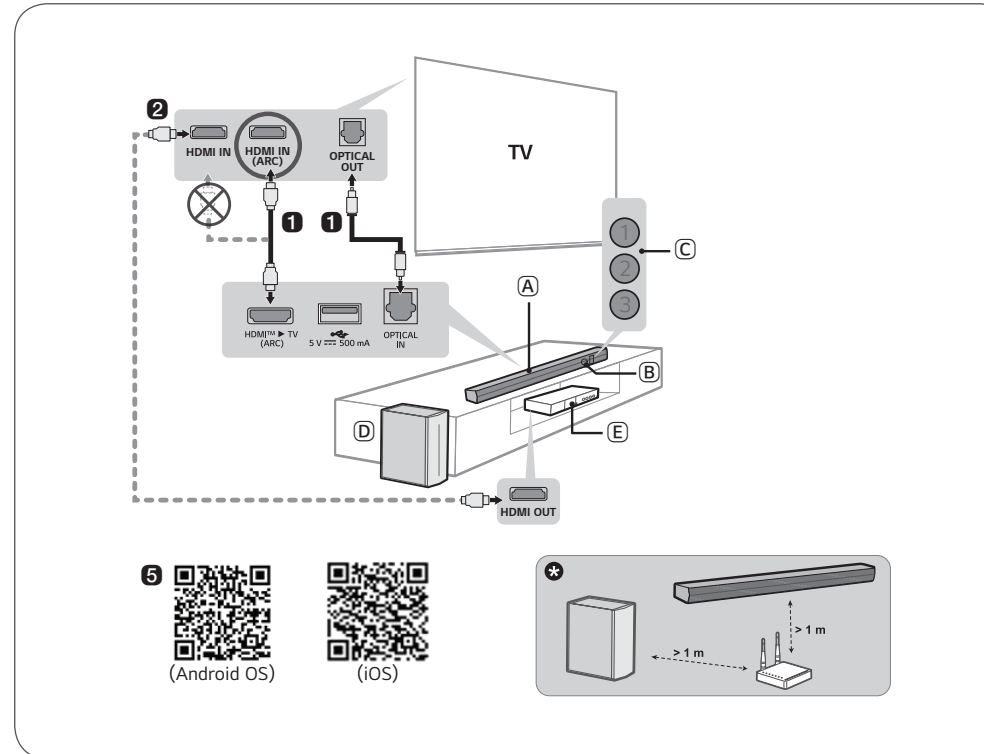


SIMPLE MANUAL

Wireless Soundbar



HDMI™
HIGH-DEFINITION MULTIMEDIA INTERFACE

ENGLISH Installing and Using the Product

Please read this manual carefully before operating your set and retain it for future reference. To view the instructions of advanced features, visit <http://www.lg.com> or scan QR code and then download Owner's Manual. Some of the content in this manual may differ from your product.



- (A) Soundbar
- (B) Remote Control Receiver
- (C) Status LED (①②③)
- (D) Wireless Subwoofer - Install it close to the soundbar.
- (E) External Device - (Blu-ray player, game console, etc.)

○ : On / ● : Off / ◉ : Blink				
Red blinking	White blinking	White	White	Purple
Power on Power off	Bluetooth ready	Bluetooth	OPTICAL / HDMI ARC	USB

- 1 Connect the soundbar to your TV via an optical cable or an HDMI cable.
- 2 If you are using an external device (ex. Set-top box, Blu-ray player, game console, etc.), connect it to the TV via an HDMI cable.
 - ① If necessary, purchase HDMI cables, an optical cable, or a USB extension cable to connect the soundbar.
- 3 Connect to power in the following order: wireless subwoofer → soundbar. Then, turn on the soundbar. When the connection is automatically established with the soundbar, the LED on the wireless subwoofer will light up green.
- 4 Connecting the product to your smartphone via Bluetooth
 - ① Tap the **Settings** button on your smartphone and select **Bluetooth**. Turn on the **Bluetooth** function. (Off > On)
 - ② Press the **Bluetooth pair** button. After a moment, LED1 and LED2 blink white.
 - ③ Find and tap the product on your smartphone. The product appears as "LG S60T(XX)".
 - ④ When the product is connected to your smartphone via **Bluetooth**, LED1 and LED2 light up white.
- 5 Connecting to the LG Soundbar app
 - ① Find and install the **LG Soundbar app** on Google Play or App Store from your smartphone.
 - ② You can get more information regarding its use by selecting [Help] in [Setting].

! If you see a red LED on the wireless subwoofer, it means that the soundbar is not connected to the subwoofer. If this is the case, connect them in the following order.

- ① Press the **Power** button on the soundbar to turn it off.
- ② Press the **PAIRING** button on the back of the wireless subwoofer. Check if LED blinks green.
 - If you still see a red LED on the wireless subwoofer, press and hold the button on the back of the subwoofer again.
- ③ Press the **Power** button on the soundbar to turn it on.
- ④ When the connection is established, you will see a green LED light on the wireless subwoofer light up.

* Keep the soundbar, the subwoofer away from the device (ex. wireless router, microwave oven, etc.) over 1 m to prevent wireless interference.

- Some speakers may not make sound depend on the input source. Select BASS BLAST (BASS BLAST+) sound mode to listen through all speakers.

- Design and specifications are subject to change without notice.
- Google Play is a trademark of Google LLC.

S60T



COV37841709
2312_Rev01



www.lg.com
Copyright © 2024 LG Electronics Inc. All Rights Reserved.



CAUTION: TO REDUCE THE RISK OF ELECTRIC SHOCK DO NOT REMOVE COVER (OR BACK). NO USER-SERVICEABLE PARTS INSIDE. REFER SERVICING TO QUALIFIED SERVICE PERSONNEL.



This lightning flash with arrowhead symbol within an equilateral triangle is intended to alert the user to the presence of uninsulated dangerous voltage within the product's enclosure that may be of sufficient magnitude to constitute a risk of electric shock to persons.



The exclamation point within an equilateral triangle is intended to alert the user to the presence of important operating and maintenance (servicing) instructions in the literature accompanying the product.

WARNING:

- TO PREVENT FIRE OR ELECTRIC SHOCK HAZARD, DO NOT EXPOSE THIS PRODUCT TO RAIN OR MOISTURE.
- Do not install this equipment in a confined space such as a book case or similar unit.

CAUTION:

- Do not use high voltage products around this product. (ex. Electrical swatter) This product may malfunction due to electrical shock.
- No naked flame sources, such as lighted candles, should be placed on the apparatus.
- Do not block any ventilation openings. Install in accordance with the manufacturer's instructions. Slots and openings in the cabinet are provided for ventilation and to ensure reliable operation of the product and to protect it from over heating. The openings should never be blocked by placing the product on a bed, sofa, rug or other similar surface. This product shall not be placed in a built-in installation such as a bookcase or rack unless proper ventilation is provided or the manufacturer's instruction has been adhered to.
- The Power Plug is the disconnecting device. In case of an emergency, the Power Plug must remain readily accessible.
- The apparatus should not be exposed to water (dripping or splashing) and no objects filled with liquids, such as vases, should be placed on the apparatus.
- For safety marking information including product identification and supply ratings, please refer to the main label on the bottom or the other surface of the product.

For models using an adapter

Only use the AC adapter supplied with this device. Do not use a power supply from another device or another manufacturer. Using any other power cable or power supply may cause damage to the device and void your warranty.

For models using a battery

This device is equipped with a portable battery or accumulator.

CAUTION: Risk of fire or explosion if the battery is replaced by an incorrect type.

For models using a built-in battery

Do not store or transport at pressures lower than 11.6 kPa and at above 15,000 m altitude.

- replacement of a battery with an incorrect type that can defeat a safeguard (for example, in the case of some lithium battery types);
- disposal of a battery into fire or a hot oven, or mechanically crushing or cutting of a battery, that can result in an explosion;
- leaving a battery in an extremely high temperature surrounding environment that can result in an explosion or the leakage of flammable liquid or gas; and
- a battery subjected to extremely low air pressure that may result in an explosion or the leakage of flammable liquid or gas.

- The appliance is not intended for use by young children or infirm persons without supervision.
- Young Children should be supervised to ensure that they do not play with appliance.
- If the appliance is supplied from a cord extension set or an electrical portable outlet device, the cord extension set on electrical portable outlet device must be positioned so that it is not subject to splashing (of water or any form of liquid) or ingress of moisture.



RF Radiation Exposure Statement

This equipment shall be installed and used at a minimum distance of 20 cm from the human body.

The use of the 5,150 - 5,350 MHz and 5,945 - 6,425 MHz band (if applicable) is restricted to indoor use only. This restriction exists in the countries Australia (AU) and New Zealand (NZ). (For Wi-Fi/Bluetooth built-in model or Wi-Fi built-in model)

ENGLISH

Specification

Power requirements

- Refer to the main label.

Power consumption

- Refer to the main label.

Dimensions (W x H x D): Approx. 850.0 mm x 63.0 mm x 87.0 mm

Bus Power Supply (USB): 5 V 500 mA

Amplifier (Total RMS Output power): 340 W RMS

Open Source Software Notice Information

To obtain the source code that is contained in this product, under GPL, LGPL, MPL, and other open source licenses that have the obligation to disclose source code, and to access all referred license terms, copyright notices and other relevant documents, please visit <https://opensource.lge.com>.

LG Electronics will also provide open source code to you on CD-ROM for a charge covering the cost of performing such distribution (such as the cost of media, shipping, and handling) upon email request to opensource@lge.com.

This offer is valid to anyone in receipt of this information for a period of three years after our last shipment of this product.

Symbols

	Refers to alternating current(AC).
	Refers to direct current(DC).
	Refers to class II equipment.
	Refers to stand-by.
	Refers to "ON" (power).
	Refers to dangerous voltage.