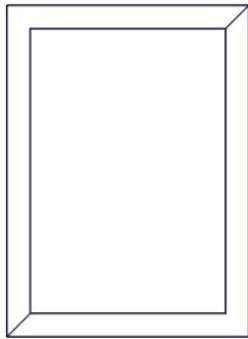
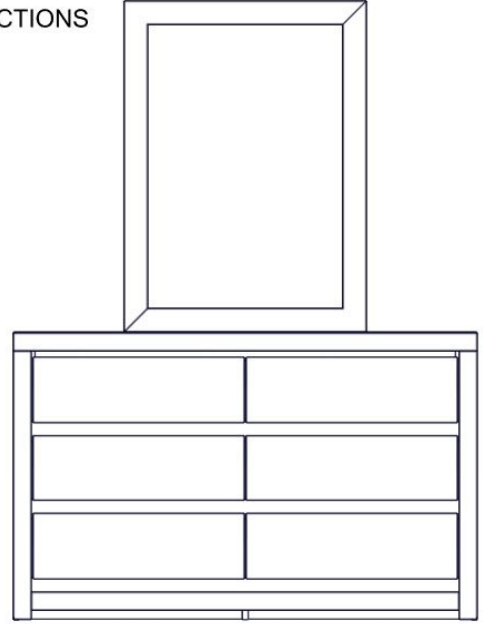
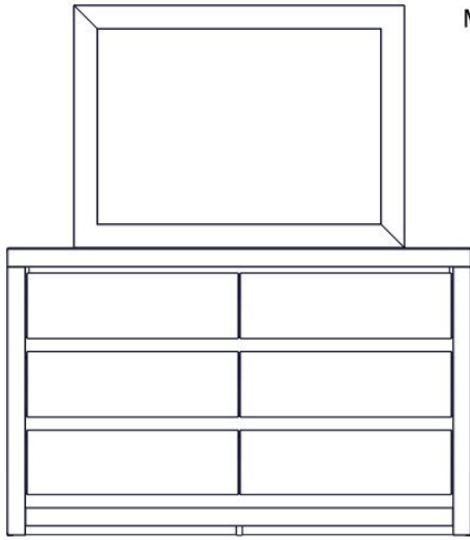






MIRROR ASSEMBLY INSTRUCTIONS
10020307



Hardware Components

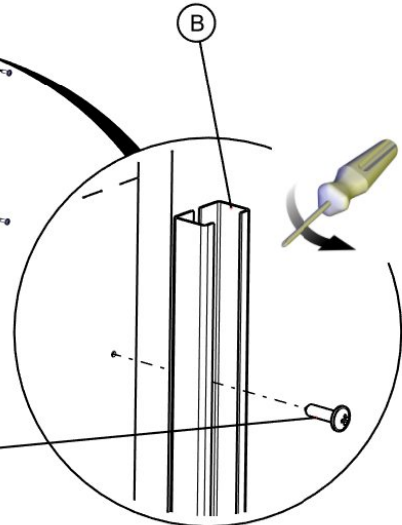
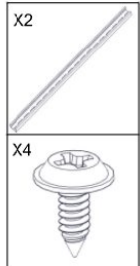
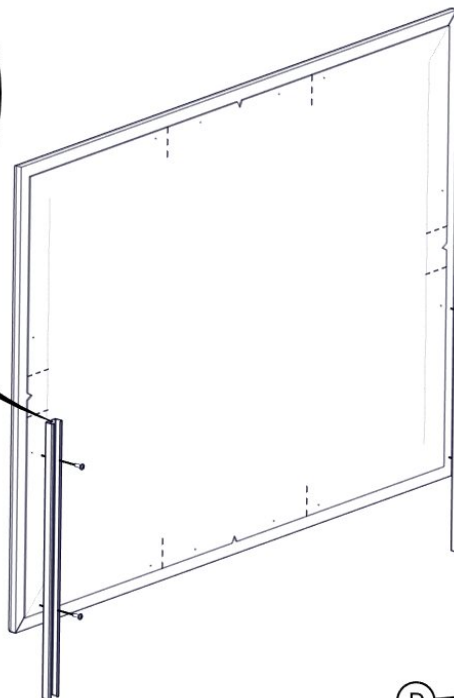
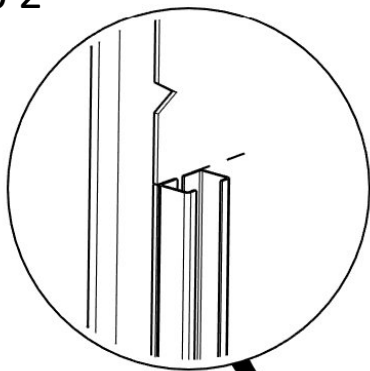
Item	Description	Qty	Image
A	DRAYWALL ANCHOR	4	
B	MIRROR BRACKET	2	

Item	Description	Qty	Image
C	8 x 1 1/4" SCREW	4	
D	8 x 5/8" SCREW	4	

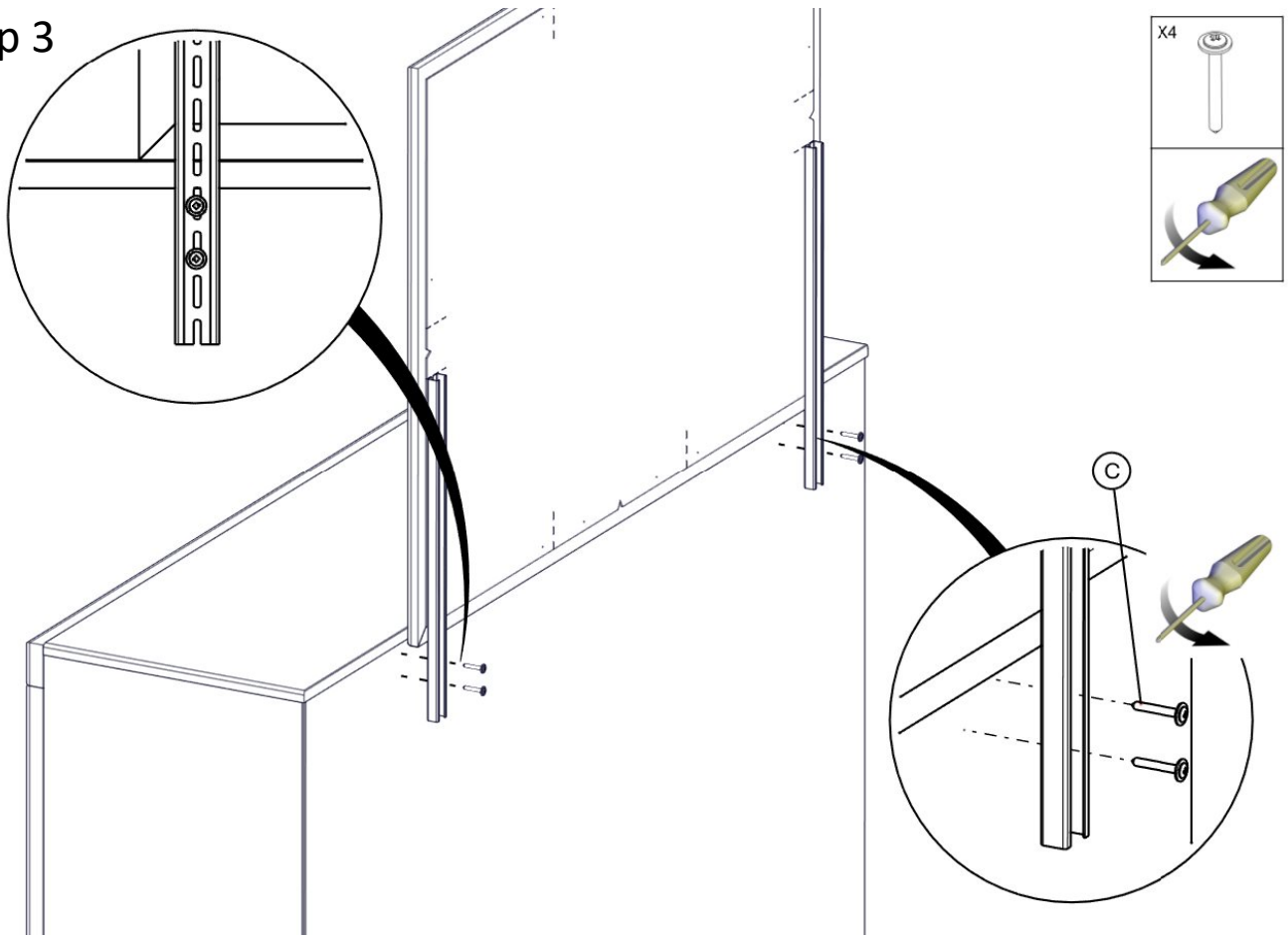
Step 1



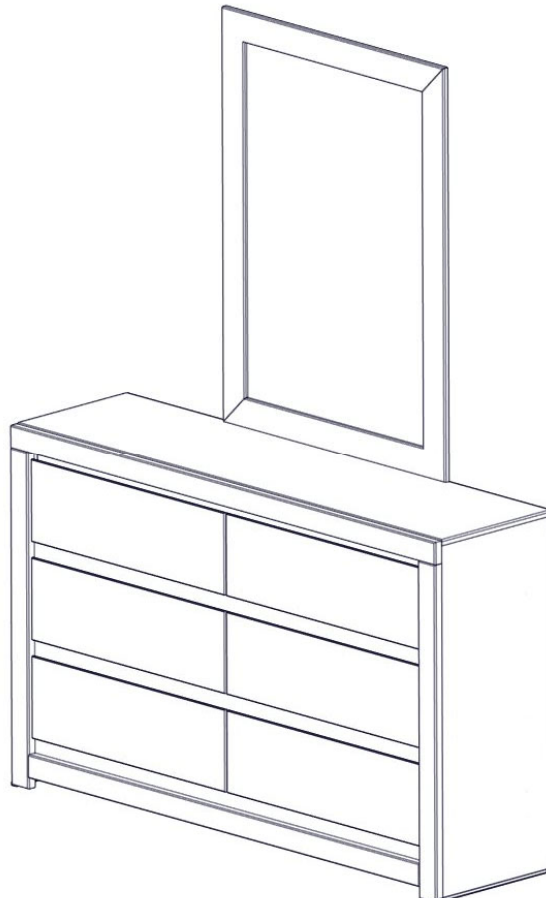
Step 2



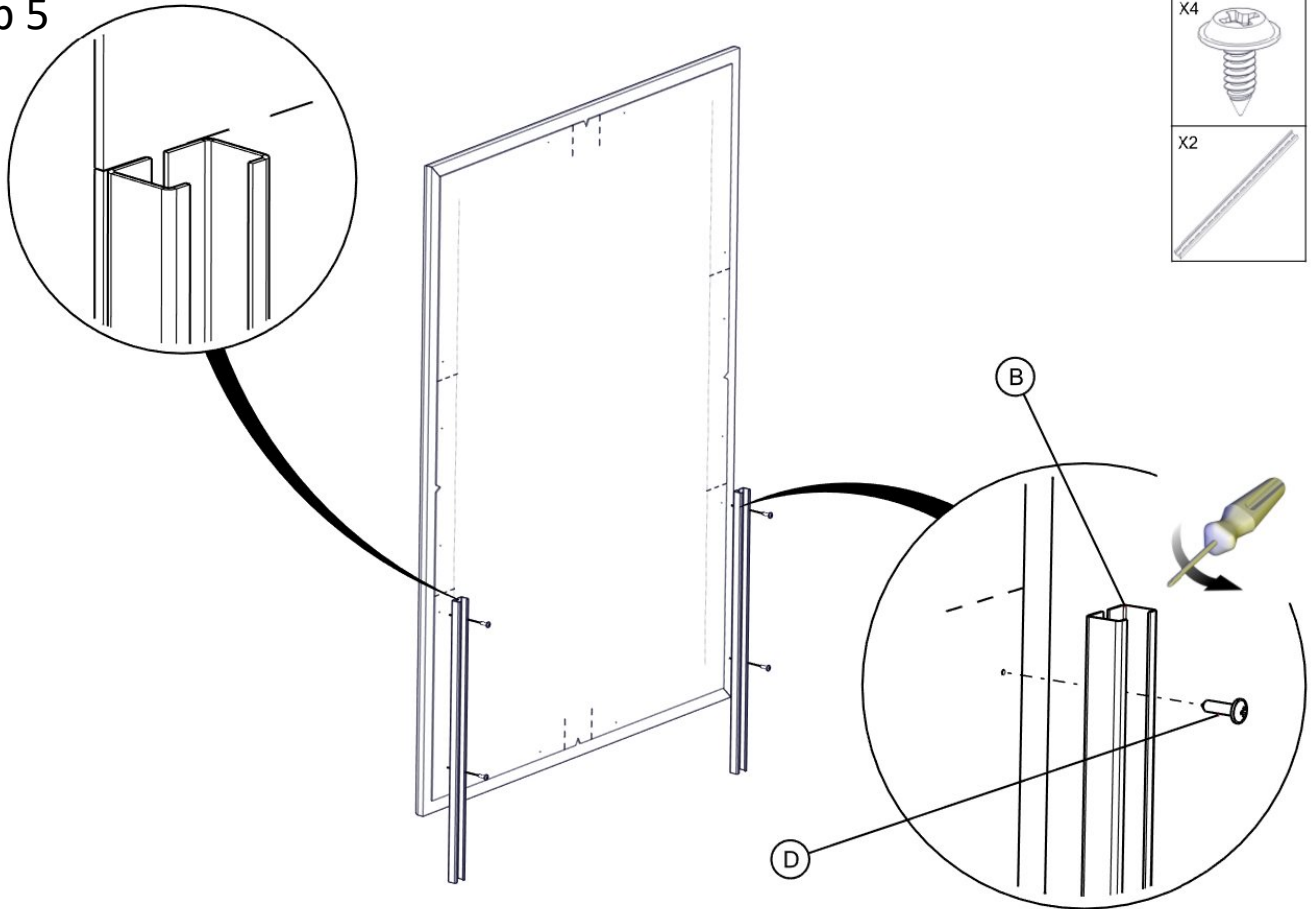
Step 3



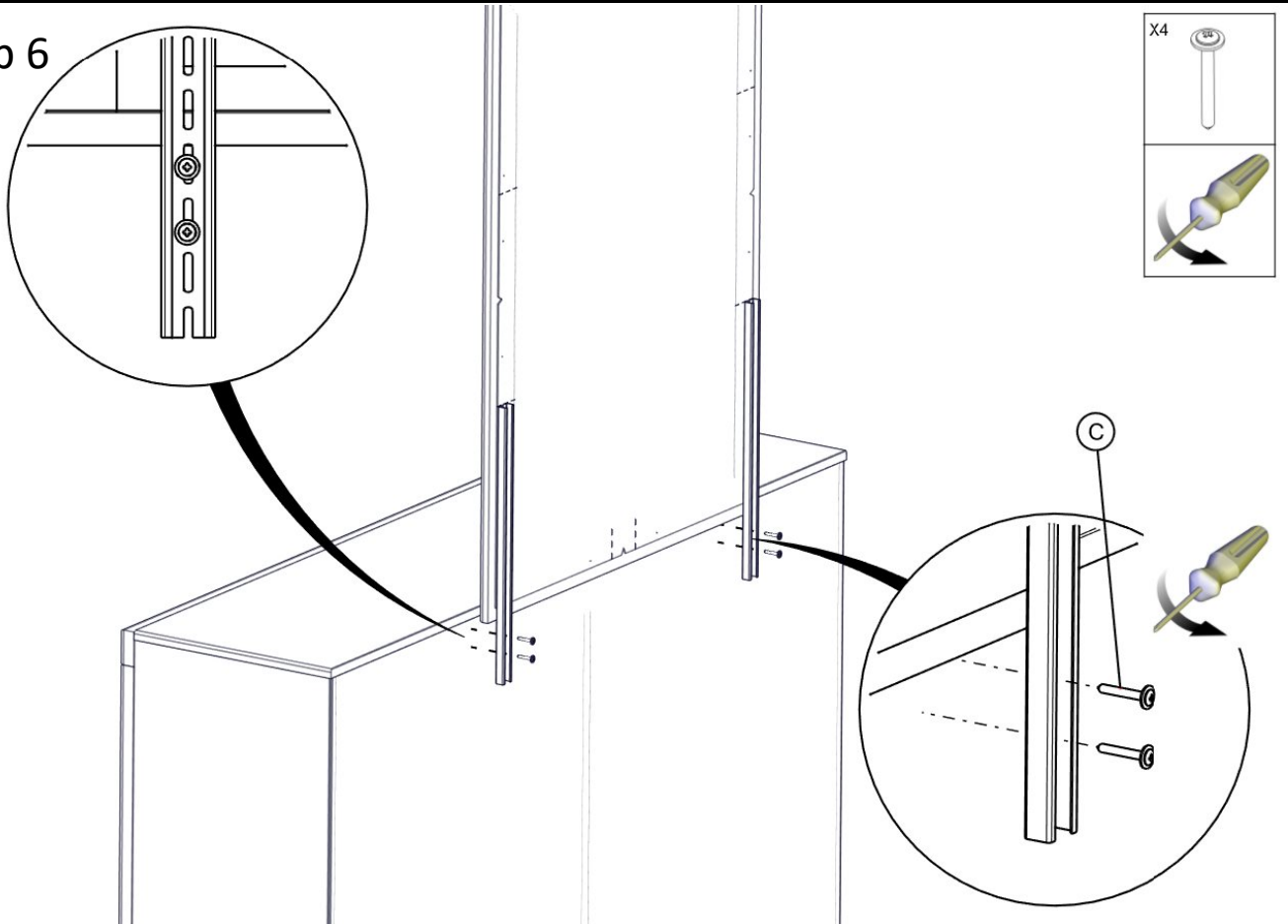
Step 4



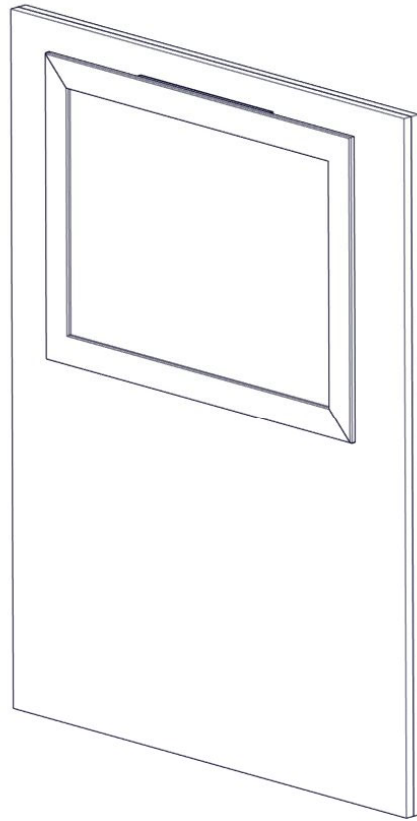
Step 5



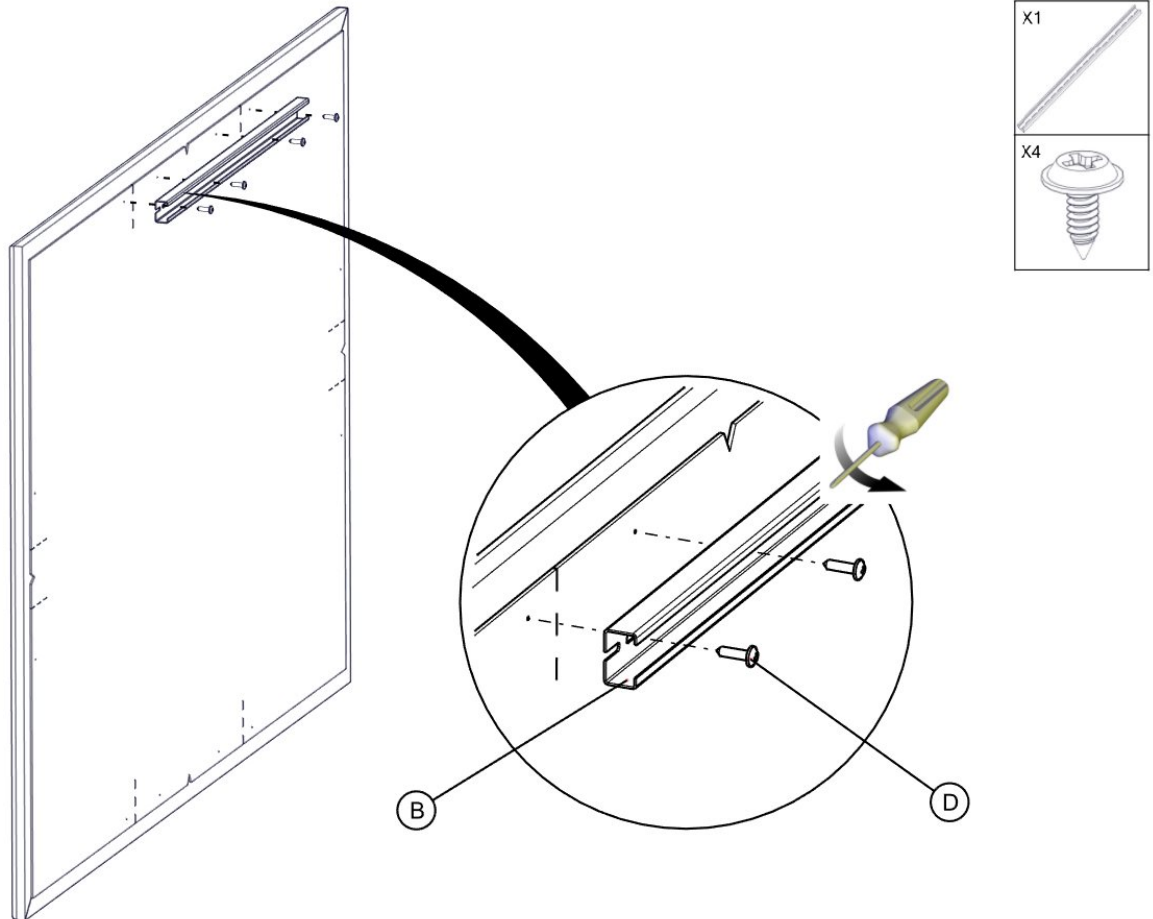
Step 6



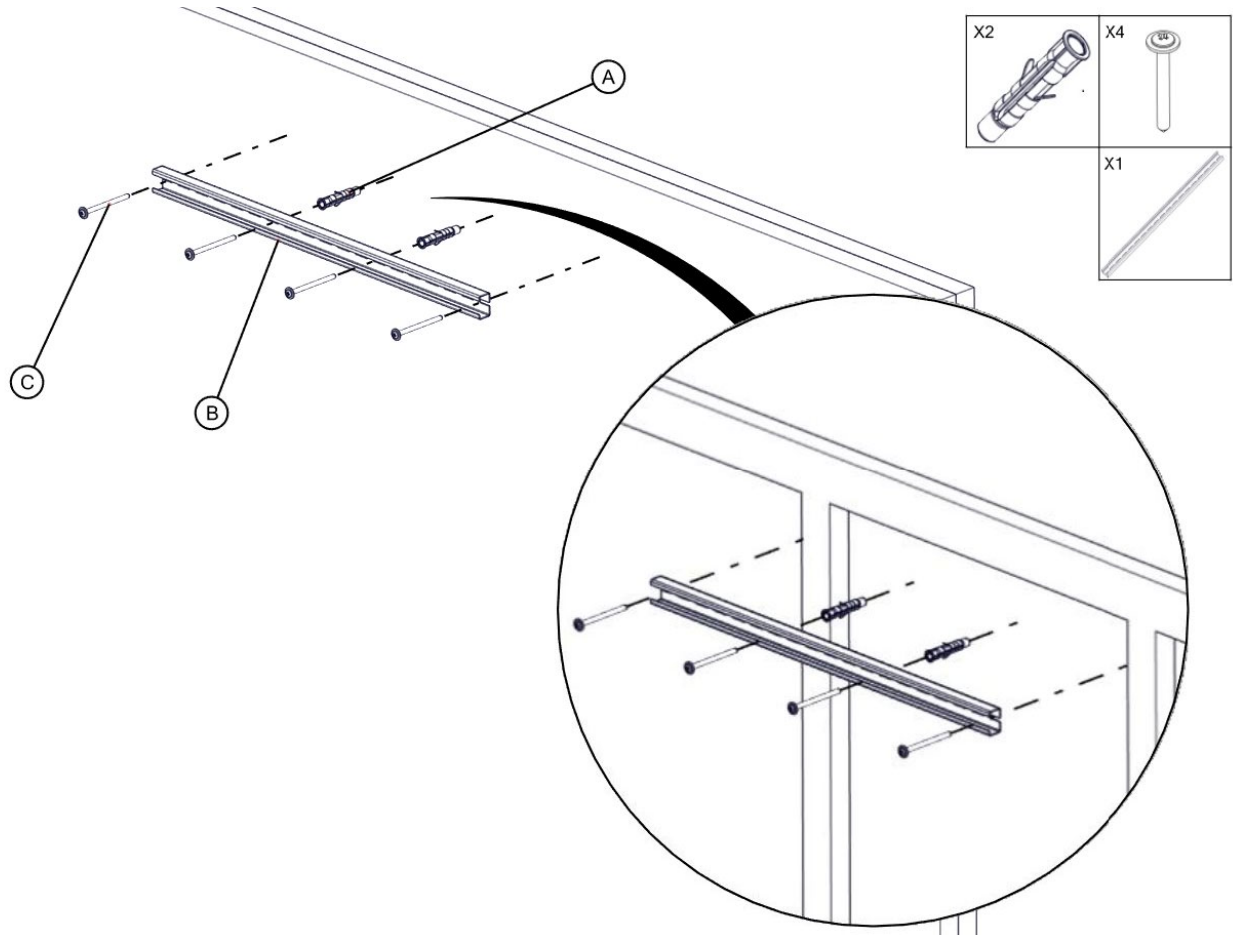
Step 7



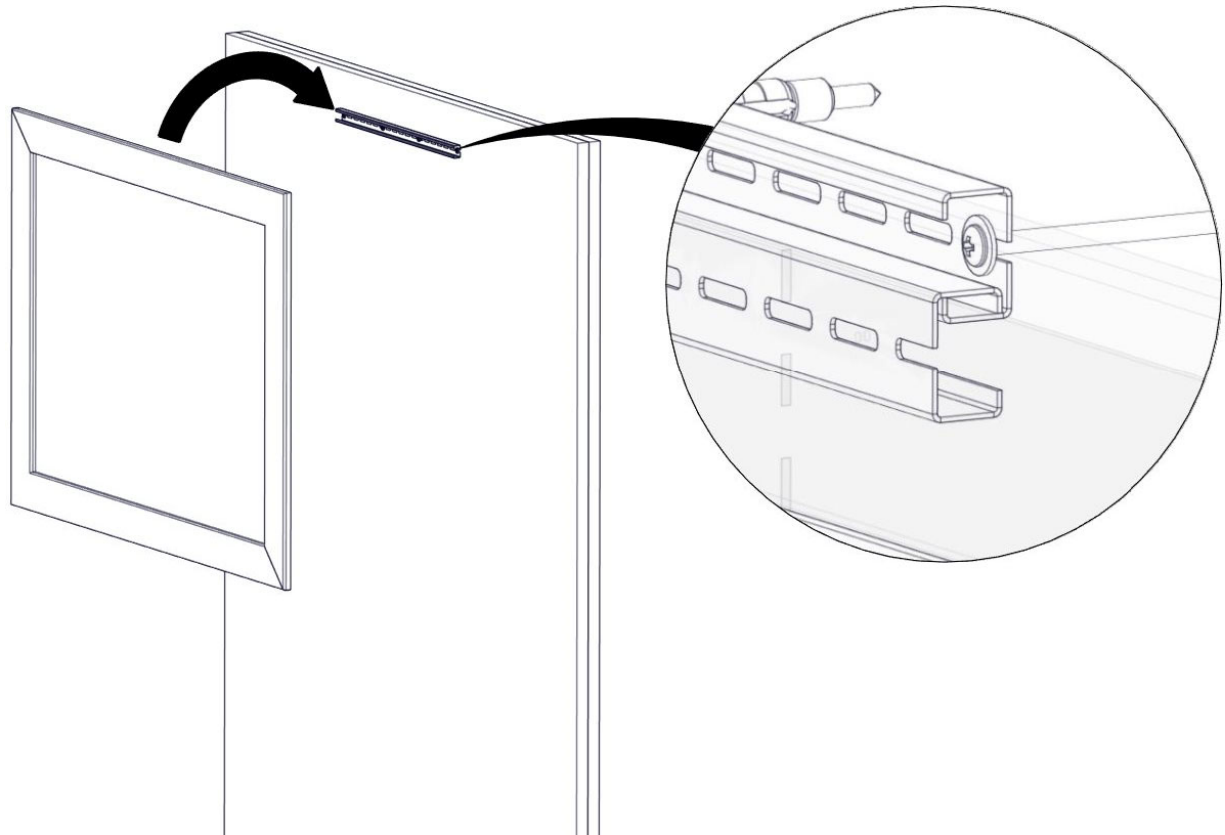
Step 8



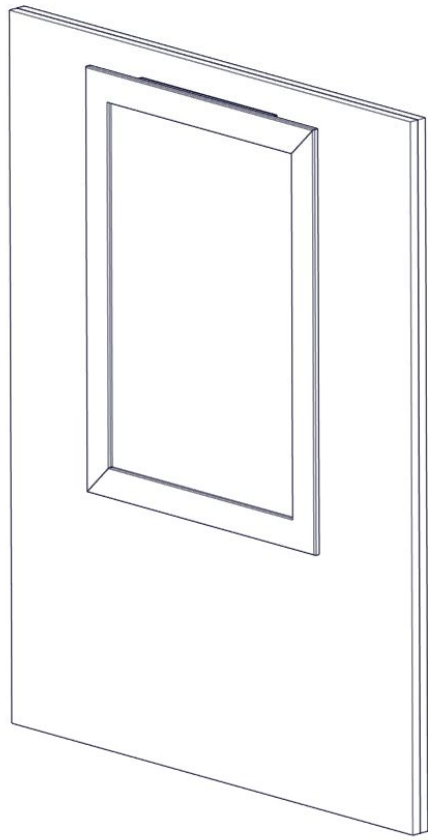
Step 9



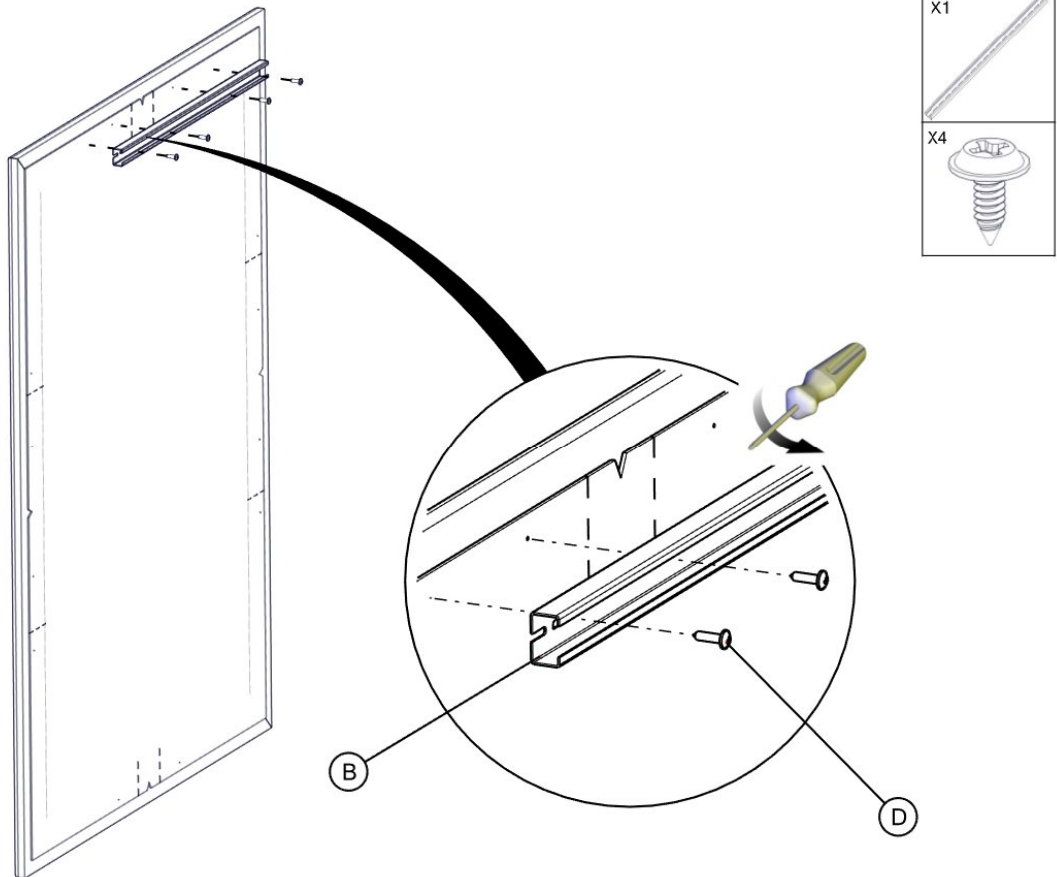
Step 10



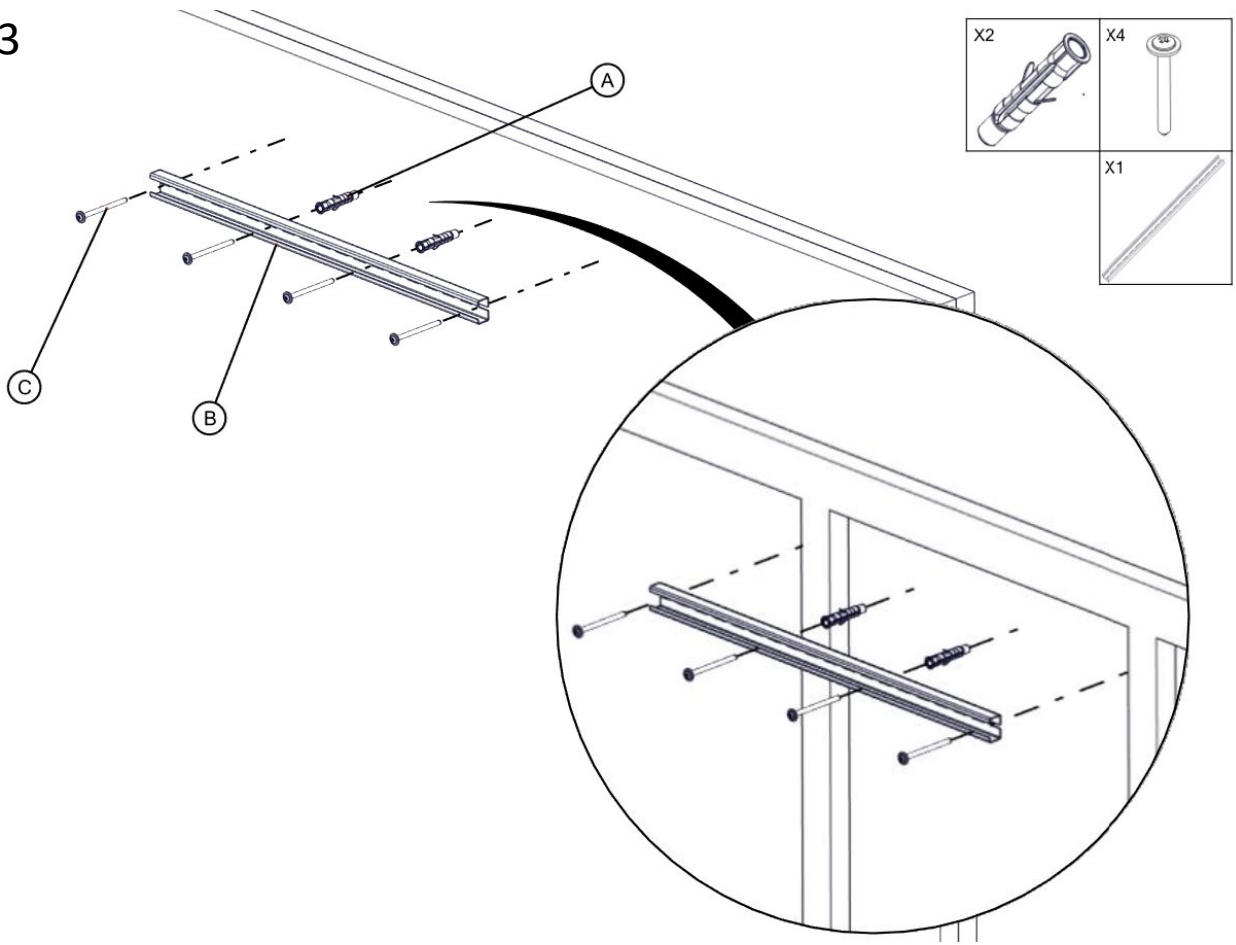
Step 11



Step 12



Step 13



Step 14

