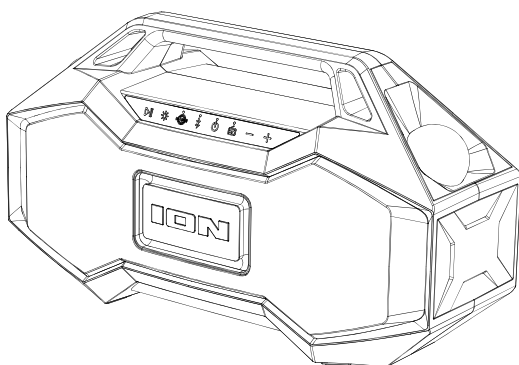


# ION<sup>®</sup>

## Party Rocker™ Go



**User Guide**

English ( 2 – 8 )

**Guía del usuario**

Español ( 9 – 15 )

**Guide d'utilisation**

Français ( 16 – 22 )

**Appendix**

English ( 23 )

### SUPPORT / SOPORTE / ASSISTANCE



[ionaudio.com/support](http://ionaudio.com/support)

Tap or click for technical support.

Toque o haga clic para obtener soporte técnico.

Appuyez ou cliquez pour obtenir une assistance technique.

## User Guide (English)

### Introduction

Thank you for purchasing the Party Rocker™ Go Speaker. At ION, your entertainment is as important to us as it is to you. That's why we design our products with one thing in mind—to make your life more fun and more convenient.

**Note:** Before you first use the product, please fully charge the batteries. Your unit was purposely shipped with a reduced battery charge to ensure safe transit. For optimal charging, power off the speaker while charging.

Use the included micro-USB cable to connect the unit to a power adapter connected to a power outlet and let it charge for up to 4 hours. This helps ensure the longest life for your battery.

### Box Contents

Party Rocker™ Go  
Micro-USB Cable (3.2 ft / 100cm)  
Quickstart Guide

### Support

For the latest information about this product (documentation, technical specifications, system requirements, compatibility information, etc.) and product registration, visit [ionaudio.com](http://ionaudio.com).

For additional product support, visit [ionaudio.com/support](http://ionaudio.com/support).

### Setup

#### Outdoor Use and Care

Though Party Rocker™ Go is water-resistant and able to tolerate splashing water, please review the tips below to get the best performance from your Party Rocker™ Go:

- Bring Party Rocker™ Go indoors during extreme weather.
- Please do not place Party Rocker™ Go in standing water.
- Please do not connect the power adapter to a Party Rocker™ Go in a wet environment. Make sure the power input, power adapter, and power outlet are all completely dry before making any connections.
- **WARNING:** Keep any non-water-resistant devices (phones, music players, etc.) in a dry place where they will not be affected by water and cause a risk of electric shock.

## Charging & Battery Information

For the quickest charging time, power off Party Rocker™ Go and use the included micro-USB cable to connect the speaker to a USB power adapter (DC 5V 2A, not included) connected to a power outlet, or your computer (powered on).

The LED (located above the Power Button) will appear solid red when charging, even if the speaker is powered off. The LED will turn off when charging is complete. When the Party Rocker™ Go battery is low, the LED will flash red three times every 60 seconds; If voice prompts are turned on, you will also hear “Battery Low”.

If no audio is played through the Party Rocker™ Go speaker for 15 minutes, the unit will power off automatically to conserve battery life.

## Features

### Front Panel



**Power Button:** Press and hold this button to turn Party Rocker™ Go on and off. The LED above the button will light up solid white when the speaker is powered on. Double-press this button to disable or enable voice prompts.



**Bluetooth® Button:** Press and hold this button to disconnect a Bluetooth device. See [Operation > Bluetooth Connecting with Party Rocker™ Go](#) to learn how to connect a Bluetooth device.



**Radio Button:** Press this button to turn on the FM Radio. See [Operation > Using the Radio](#) for more information.



**Bass Boost Button:** Press this button to enhance the speaker's bass frequency response.



**Lights Button:** Press this button to cycle through lighting the bass radiator, subwoofers, dome LEDs, and ground LEDs as listed below. Press and hold to switch between Beat Sync and Color Cycle modes.

- Off
- Bass Radiator LED
- Bass Radiator LED + subwoofer LEDs
- Bass Radiator LED + subwoofer LEDs + dome LEDs + ground LEDs



**Play/Pause Button:** Press this button to play and pause Bluetooth audio.



**Volume Up/Down Buttons:** Press these buttons to adjust the speaker's volume. Press and hold + or – to navigate Bluetooth tracks.

## Rear Panel

**Note:** Use your fingernail to release the protective rubber panel on the back of Party Rocker™ Go to access the Rear Panel:



**Aux Input:** Connect an MP3 or other audio player to Party Rocker™ Go here using a 1/8 inch (3.5 mm) auxiliary cable (not included). See [Operation > Connecting an Audio Device using the Aux Input](#) for more information.



**USB Charging Port:** Party Rocker™ Go includes a power bank function, which allows you to charge a smartphone, tablet, or other device using the unit's internal battery (Capacity: 4000mAh/10.8v 43.2Wh) by connecting a cable here. See [Operation > Using the USB Charge Port](#) for more information.



**Micro-USB Charging Port:** Connect the included micro-USB cable to Party Rocker Go here, then connect the other end to a USB power adapter and plug it into a power outlet, or your computer (powered on).

## Operation

### App Control

**IMPORTANT:** To ensure the best possible experience with the app, use the most current Android OS or iOS on your device.

**Follow these steps to download the free app on your device:**

1. Open the Apple App Store or Google Play on your device. Then, search for the **ION Sound XP™** app.
2. Follow the on-screen instructions to download and install the app. Once downloaded, the **ION Sound XP™** app will appear on your device's home screen.
3. Connect your device to Party Rocker™ Go via Bluetooth. See the [Bluetooth Connecting with Party Rocker™ Go](#) to learn how to do this.
4. Open the ION Sound XP™ app. If prompted, allow the app to access your device's Bluetooth and Location Services.
5. Tap to select **Add A Product** on the screen. The app will scan and find Party Rocker™ Go. If you are having issues connecting, tap **Help with setting up?** for additional tips.
6. Select the **Party Rocker™ Go** icon to go to the next screen, where you can use the app to control various functions of the speaker such as:
  - **Volume:** Adjust the speaker's volume.
  - **EQ:** Adjust the speaker's equalization.
  - **FM Radio:** Save station presets and fine-tune the station frequency.
  - **Voice Prompts:** Enable or disable the voice prompts.
  - **Lights:** Change the light modes.
  - **Volume:** Adjust the speaker's volume.
  - **Battery Life:** Check the speaker's battery life status.
  - **Support:** Visit [ionaudio.com](http://ionaudio.com), contact Technical Support, and view Warranty information and Frequently Asked Questions.

## Bluetooth Connecting with Party Rocker™ Go

1. Turn on Party Rocker™ Go by holding down the **Power** button for 2 seconds. Party Rocker™ Go will automatically enter Bluetooth pairing mode.
2. Navigate to your device's Bluetooth setup screen, find **Party Rocker Go**, and connect. When connected, the Bluetooth LED will be lit solid blue and you will hear "Connected" (if voice prompts are enabled).

**Note:** Do not connect to **iSP147\_BLE**; this is reserved exclusively for connecting to the ION Sound XP™ app. If you experience trouble in connecting, select "Forget this Device" on your Bluetooth device and try to connect again.

3. Now you can use the buttons on the front panel to control audio playback:
  - Press and quickly release the **Play/Pause** button to play or pause the current track.
  - Press and quickly release the **Volume Up** button to increase the volume by one increment.
  - Press and quickly release the **Volume Down** button to decrease the volume by one increment.
  - Press and hold the **Volume Up** button to skip to the next track.
  - Press and hold the **Volume Down** button to revert to the beginning of the current track. Repeat this action within 1 second to skip to the previous track.
4. To disconnect, turn off Bluetooth from your device's Bluetooth settings, or press and hold the Bluetooth button until the Bluetooth LED turns off.

## Stereo-Link™: Syncing multiple speakers

1. Be sure to disconnect Bluetooth devices before attempting to pair speakers using Stereo-Link™. Press and hold the **Bluetooth** button to do this.
2. Double-press the Bluetooth button on each Party Rocker™ Go speaker. The Bluetooth LEDs will begin to rapidly flash blue to indicate they are attempting to link. Please allow 10 to 30 seconds for the speakers to link.

**Note:** Speakers should be within 50' (15 m) of each other to properly link. The closer the speakers are, the faster they will link.

**Note:** To exit Stereo-Link™ mode, double-press the **Bluetooth** button again.

3. Once the speakers are linked, the secondary speaker's Bluetooth LED will be lit solid blue, and the primary speaker's Bluetooth LED will slowly blink blue to indicate it is searching for a Bluetooth device to pair with.
4. Navigate to your device's Bluetooth settings menu and select **Party Rocker Go** to connect. When the connection is successful, you will hear "Bluetooth Connected" from the primary speaker (if voice prompts are enabled). When audio playback begins, you will hear it through both speakers.
5. To exit Stereo-Link™ mode, double-press the **Bluetooth** button on both Party Rocker™ Go speakers. You will hear "Bluetooth disconnected" from the primary speaker to indicate the link has been broken (if voice prompts are enabled.)

**Tip:** Party Rocker™ Go can sync audio with other Stereo-Link™-compatible ION Audio speakers. To find out more, visit [ionaudio.com](http://ionaudio.com).

**Note:** Pressing and holding the **Power** button on the primary speaker while in Stereo-Link™ mode will power off all connected speakers. Party Rocker™ Go speakers powered off in Stereo-Link™ mode will automatically enter Stereo-Link™ mode the next time they are powered on and begin searching for secondary speakers to connect to.

## Bluetooth Dual Connect

This feature allows you to connect two devices to one Party Rocker™ Go via Bluetooth simultaneously.

**Note:** This feature does not work in Stereo-Link mode.

1. Connect your Bluetooth device “A” to Party Rocker™ Go as seen in [Bluetooth Connecting with Party Rocker™ Go](#).
2. Connect your Bluetooth device “B” to Party Rocker™ Go by navigating to the Bluetooth settings menu on device “B” and selecting **Party Rocker Go**. Connecting device “B” will not disrupt the music that is playing from device “A”.

**Note:** If play is pressed on device “B’s” media player app, the music on device “A” will pause, and the music on device “B” will play through Party Rocker Go. If play is pressed on device “A’s” media player app, the music on device “B” will pause, and the music on device “A” will play through Party Rocker Go.

## Bluetooth Call Answering

Party Rocker™ Go can receive incoming calls and act as a speakerphone for connected Bluetooth devices. Incoming calls will pause Bluetooth audio and play the device’s ringtone until the call is either answered or rejected:

**To reject an incoming call,** Press and hold the **Play/Pause** button for two seconds.

**To answer an incoming call,** press the **Play/Pause** button and then quickly release it.

**During a call,** press the **Volume Up/Down** buttons to adjust the volume of the caller.

**When you wish to end a call,** press the **Play/Pause** button. Bluetooth audio will resume playing at this time.

## Connecting an Audio Device Using the Aux Input

1. Connect a 1/8” (3.5 mm) auxiliary cable to the input on the rear panel of Party Rocker™ Go and connect the other end to an audio device such as an MP3 or CD player. The speaker will automatically switch the audio source to Aux mode but will maintain all Bluetooth connections.
2. Press play on your device’s music player. Use the **Volume Up/Down** buttons to adjust the Aux volume.

**Note:** Party Rocker™ Go speaker volume controls act independently from your connected device. Lower the volume on your device if signal distortion occurs.

3. Disconnect the Aux cable to exit Aux mode. Party Rocker™ Go will revert to the audio mode it was in before the Aux connection, Bluetooth or Radio.

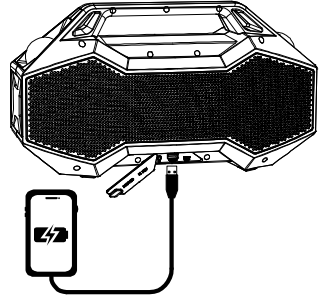
## Using the Radio

1. Press the **Radio** button to turn on the FM radio. The LED above the button will light up solid white. Party Rocker™ Go will pause Bluetooth audio but maintain the connection.
2. Press and hold the **Volume Up** button to tune to the next strongest station signal. Press and hold the **Volume Down** button to tune to the previous strongest station. If voice prompts are enabled, you will hear the station's frequency number read aloud. For example, upon tuning to 101.5 FM, you will hear the voice prompt: "One oh one point five."
3. Use the **ION Sound XP™** app to save a station to one of six preset slots. See [Operation > App Control](#) to learn how to download and use the app as a remote control for your Party Rocker™ Go speaker.
4. Press and then quickly release the **Play/Pause** button to cycle through the six station presets. All presets are set to the factory default 87.5 FM.

## Using the USB Charge Port

### To use the USB charge port:

1. Connect a USB type-A cable to the **USB Charge Port** on the rear panel of your Party Rocker™ Go speaker (see image).
2. Connect the other end of the cable to the charging input on your smartphone, tablet, or other compatible device.



## Troubleshooting

**If the unit is not charging:** Make sure the micro-USB cable is properly connected to the power input, the power adapter and the power outlet.

**If the sound is distorted:** Try lowering the volume control of your sound source.

**If there is too much bass:** Try adjusting the tone or EQ control on your sound source to lower the bass level. This will allow you to play the music louder before clipping (distortion) occurs.

### **If you cannot connect your audio device to Party Rocker™ Go via Bluetooth:**

- Have your audio device (e.g., smartphone or tablet) and Party Rocker™ Go as close together as possible while trying to connect. Make sure both the audio device and Party Rocker™ Go are unobstructed by walls, furniture, etc.
- Reset the Bluetooth connection on Party Rocker™ Go to disconnect Party Rocker™ Go from any other audio device and restart the search process. If this does not work right away, power off Party Rocker Go and then power it back on. See [Bluetooth Connecting with Party Rocker™ Go](#) for more information.
- Reset the Bluetooth connection on your audio device by turning Bluetooth off and back on. You can find this under the Bluetooth menu in the Settings for your phone or other audio device.

If this does not work, and you have connected to Party Rocker™ Go before, find Party Rocker™ Go in the list of available or previously connected devices in your audio device's Bluetooth menu, tap the "gear" or "i" icon located next to it and then select **Unpair** or **Forget**. Turn Party Rocker™ Go off and back on and try pairing again once it reappears in your available devices list.

**Note:** If Party Rocker™ Go has been paired to another audio device recently that is still within range, you may need to repeat this process with that audio device to fully disconnect.

**If you experience audio dropouts while playing music from a Bluetooth device,** this may be happening because your unit is trying to link to another speaker. This can occur if you power off a speaker that was linked to your unit or if you have just turned on your unit and it is in Stereo-Link™ mode. To stop the audio dropouts, exit Stereo-Link™ mode by double-pressing the **Bluetooth** button. Alternatively, you can wait for your unit to link to another speaker if there is one within range.

**If you would like to stop your speaker from automatically linking when you power it on,** make sure you double-press the **Bluetooth** button to exit Stereo-Link™ mode before you power it off.



## Guía del usuario (Español)

### Introducción

Gracias por comprar el altavoz Party Rocker™ Go. En ION, su entretenimiento es tan importante para nosotros como para usted. Por eso es que diseñamos nuestros productos con una sola cosa en mente—hacer que su vida sea más divertida y cómoda.

**Nota:** Antes de utilizar por primera vez el producto, cargue completamente la batería. Su unidad se despachó intencionalmente con una carga reducida de la batería por razones de seguridad en el tránsito.

Utilice el cable Micro-USB incluido para conectar la unidad a un adaptador de corriente conectado a una toma de corriente y permita que la unidad se cargue durante hasta 4 horas. Esto contribuye a asegurar la vida útil más larga de su batería.

### Contenido de la caja

Party Rocker™ Go  
Cable micro-USB (3.2 pulg./100cm)  
Guía de inicio rápido

### Soporte

Para obtener la información más reciente acerca de este producto (documentación, especificaciones técnicas, requisitos de sistema, información de compatibilidad, etc.) y registrarlo, visite [ionaudio.com](http://ionaudio.com).

Para obtener soporte adicional del producto, visite [ionaudio.com/support](http://ionaudio.com/support).

### Uso y cuidado a la intemperie

Aunque el altavoz Party Rocker™ Go es resistente al agua y capaz de tolerar salpicaduras, lea las sugerencias que se incluyen a continuación para obtener el mejor rendimiento del altavoz Party Rocker™ Go:

- Traiga al altavoz Party Rocker™ Go bajo techo durante condiciones meteorológicas extremas.
- No coloque el altavoz Party Rocker™ Go sobre agua estancada.
- No conecte el cable de alimentación al altavoz Party Rocker™ Go en un ambiente húmedo. Asegúrese de que la entrada para la entrada de alimentación, el cable de alimentación y la toma de corriente estén completamente secos antes de realizar cualquier conexión.
- **ADVERTENCIA:** Coloque los dispositivos no resistentes al agua (teléfonos, reproductores de música, etc.) en un lugar seco donde no sean afectados por el agua y causen un riesgo de electrocución.

## Carga

Para lograr una carga más rápida, apague el altavoz Party Rocker™ Go y utilice el cable micro USB incluido para conectar el altavoz a un adaptador de corriente USB (5 V de CC, 2A, no incluido) conectado a un tomacorriente, o a su computadora (encendida).

El LED (ubicado encima del botón de encendido) se encenderá permanentemente de color rojo durante la carga, incluso si el altavoz está apagado. El LED se apagará una vez finalizada la carga. Cuando le quede poca carga a la batería del Party Rocker™ Go, los LED parpadearán de color rojo tres veces cada 60 segundos; si los avisos de voz están encendidos, también escuchará “Battery Low”.

Si no se reproduce audio a través del altavoz Party Rocker™ Go durante 15 minutos, la unidad se apagará automáticamente para ahorrar energía.

## Características

### Panel frontal



**Botón de encendido:** Mantenga pulsado este botón para activar o desactivar el Party Rocker™ Max. El LED encima del botón se encenderá permanentemente de color blanco cuando el altavoz este encendido. Pluse este botón dos veces para activar o desactivar los avisos de voz.



**Botón Bluetooth®:** Mantenga pulsado este botón para desconectar a un dispositivo Bluetooth. Consulte [Funcionamiento > Conexión Bluetooth con el altavoz Party Rocker™ Go](#) para aprender a conectar un dispositivo Bluetooth.



**Botón Radio:** Pulse este botón para encender la radio FM. Consulte [Funcionamiento > Usando la radio](#) para aprender más.



**Botón Bass Boost:** Pulse este botón para mejorar la equalización y el volumen de los graves.



**Botón de iluminación:** Pulse este botón para alternar entre la iluminación del radiador de graves, subwoofers, LED del domo y LED de la base como se enumera a continuación.

- Desactivado
- LED del radiador de graves
- LED del radiador de graves + LED del subwoofer
- LED del radiador de graves + LED del subwoofer + LED del domo + LED de la base



**Reproducir/Pausa:** Pulse este botón para reproducir o hacer pausa en una pista de un dispositivo Bluetooth conectado.



**Subir/bajar volumen:** Pluse estos botones para ajustar el volume del altavoz. Mantenga pulsado **Subir** y **bajar volumen** para navegar las pistas de Bluetooth.

## Panel trasero

**Nota:** Utilice su uña para abrir el panel protector de goma de la parte trasera del Party Rocker™ Go a fin de acceder al panel trasero:



**Entrada auxiliar:** conecte aquí un reproductor de audio con un cable auxiliar de 3,5 mm (1/8 pulg.; que se vende por separado). Consulte [Funcionamiento > Cómo conectar un reproductor de audio con la entrada auxiliar](#) para aprender más.



**Puerto de carga USB:** Party Rocker™ Go incluye una función de banco de energía, que le permite cargar un teléfono inteligente, tableta u otro dispositivo usando la batería interna (Capacidad: 4000mAh/10.8v 43.2Wh) de la unidad conectando un cable aquí. Consulte [Funcionamiento > Uso del puerto de carga USB](#) para obtener más información.



**Puerto de carga micro-USB:** Para lograr una carga más rápida, apague el altavoz Party Rocker™ Go y utilice el cable micro USB incluido para conectar el altavoz a un adaptador de corriente USB (5 V de CC, 2A, no incluido) conectado a un tomacorriente, o a su computadora (encendida).

## Funcionamiento

### Control de aplicación

**IMPORTANTE:** Para asegurarse la mejor experiencia posible con la aplicación, utilice el Android OS o IOS más actualizado en su dispositivo.

**Siga los pasos indicados a continuación para descargar la aplicación a su dispositivo:**

1. En su dispositivo, vaya a la tienda de aplicaciones respectiva de Apple o Google Play. Luego busque la aplicación gratuita **ION Sound XP™**.
2. Siga las instrucciones que aparecen en la pantalla para descargar e instalar la aplicación. Una vez descargada, la aplicación **ION Sound XP™** aparecerá en la pantalla de inicio de su dispositivo.
3. Conecte su dispositivo al altavoz Party Rocker™ Go mediante Bluetooth. Consulte [Conexión Bluetooth con el altavoz Party Rocker™ Go](#) para saber cómo hacer esto.
4. Abra la aplicación ION Sound XP™. Si se le pide elegir, permita a la aplicación acceder a los servicios de Bluetooth y ubicación de su dispositivo.
5. Toque para seleccionar **Add A Product** en la pantalla. La aplicación escaneará y encontrará Party Rocker™ Go.

Si tiene problemas para conectarse, toque **¿Necesita ayuda para la configuración?** Para obtener consejos adicionales.

6. Seleccione el icono del altavoz Party Rocker™ Go para ir a la siguiente pantalla, donde puede controlar la configuración del altavoz desde su dispositivo:
  - **Ecuilización:** Ajustar la ecualización del altavoz.
  - **Radio FM:** Reproducir la radio, cambiar estaciones y editar presets
  - **Avisos de voz:** Activar o desactivar los avisos de voz.
  - **Luces:** Cambiar el modo de iluminación.
  - **Volumen:** Ajuste el volumen del altavoz.
  - **Vida útil de la batería:** Verifique la vida útil de la batería del altavoz.
  - **Soporte:** Visite [ionaudio.com](http://ionaudio.com), contáctese con soporte técnico y obtenga información sobre la garantía y preguntas frecuentes.

## Conexión Bluetooth con el altavoz Party Rocker™ Go

1. Encienda el Party Rocker™ Go manteniendo pulsado el botón **Power** durante 2 segundos. El Party Rocker™ Go entrará automáticamente al modo de apareamiento de Bluetooth.

2. Navegue a la pantalla de configuración Bluetooth de su dispositivo, busque **Party Rocker Go**, y conéctelo.

**Nota:** No se conecte con **iSP147\_BLE**; está reservado exclusivamente para conectar la aplicación ION Sound XP™. Si tiene problemas para conectarse, seleccione "Forget this Device" (Olvidar este dispositivo) en su dispositivo Bluetooth e intente conectarse nuevamente.

3. Ahora puede utilizar los botones del panel delantero para controlar la reproducción de audio:

- Pulse y suelte rápidamente el botón de **subir volumen** para aumentar el volumen en un incremento.
- Pulse y suelte rápidamente el botón de **bajar volumen** para disminuir el volumen en un incremento.
- Mantenga pulsado el botón de **subir volumen** para saltar a la pista siguiente.
- Mantenga pulsado el botón de **bajar volumen** para volver al comienzo de la pista actual. Repita esta acción antes de que transcurra 1 segundo para saltar a la pista anterior.

4. Para desconectarlo, apague el Bluetooth desde los ajustes Bluetooth de su dispositivo o mantenga pulsado el botón Bluetooth.

## Stereo-Link™: Sincronización de varios altavoces

1. Asegúrese de desconectar los dispositivos Bluetooth antes de intentar aparear los altavoces utilizando Stereo-Link™. Mantenga pulsado el botón **Bluetooth** para comenzar el proceso.

2. Pulse el botón Bluetooth dos veces en cada uno de los dos altavoces Party Rocker™ Go. Los LED Bluetooth comenzarán a parpadear rápidamente de color azul para indicar que están intentando enlazarse. Espere de 10 a 30 segundos hasta que se enlacen los altavoces.

3. Una vez enlazados los altavoces, el LED Bluetooth del altavoz secundario queda encendido de color azul y el LED Bluetooth del altavoz principal parpadea lentamente de color azul para indicar que está buscando un dispositivo Bluetooth con el cual enlazarse.

4. Acceda al menú de ajustes Bluetooth de su dispositivo y seleccione el **Party Rocker Go** para conectarse. Una vez que la conexión sea exitosa, escuchará la frase "Bluetooth Connected" desde el altavoz principal (si están activados los avisos de voz). Cuando comience la reproducción de audio, la escuchará a través de ambos altavoces.

5. Para salir del modo Stereo-Link™ pulse dos veces el botón **Bluetooth** en ambos altavoces Party Rocker™ Go. Escuchará el mensaje "Bluetooth disconnected" desde el altavoz principal el cual indica que finalizó el enlace (si están activados los avisos de voz)

**Consejo:** El altavoz Party Rocker™ Go puede sincronizar audio con otros altavoces de ION Audio compatibles con Stereo-Link™. Para conocer más, visite [ionaudio.com](http://ionaudio.com).

**Nota:** Mantener pulsado el botón de **encendido** en el altavoz principal estando en modo Stereo-Link™ causará que se apaguen todos los altavoces conectados. Los altavoces Party Rocker™ Go que se apaguen estando en modo Stereo-Link™ entrarán a dicho modo automáticamente la próxima vez que se enciendan y comenzarán a buscar altavoces secundarios con los cuales conectarse.

## Conexión Bluetooth doble

Esta característica le permite conectar dos dispositivos a un Party Rocker™ Go simultáneamente mediante Bluetooth.

**Nota:** Esta característica no funciona en modo Stereo-Link™.

1. Conecte su dispositivo Bluetooth "A" al Party Rocker™ Go como se muestra en [Conexión Bluetooth con el altavoz Party Rocker™ Go](#).
2. Conecte su dispositivo Bluetooth "B" al Party Rocker™ Go accediendo al menú de ajustes Bluetooth del dispositivo "B" y seleccionando **Party Rocker Go**. La conexión del dispositivo "B" no perturbará la música que se está reproduciendo desde el dispositivo "A".

**Nota:** Si se pulsa el botón de reproducción en la aplicación de reproducción de música del dispositivo B, la música del dispositivo A se pone en pausa y se reproduce la música del dispositivo B a través del Party Rocker™ Go.

Si se pulsa el botón de reproducción en la aplicación de reproducción de medios de "A", la música del dispositivo "B" se pone en pausa y la música del dispositivo "A" se reproduce a través del Party Rocker™ Go.

## Cómo atender llamadas mediante Bluetooth

El Party Rocker™ Go puede recibir llamadas entrantes y actuar como un teléfono de manos libres para los dispositivos Bluetooth conectados. Las llamadas entrantes ponen en pausa el audio Bluetooth y hacen reproducir el tono de llamada del dispositivo hasta que la llamada se atiende o se rechaza:

**Para rechazar una llamada entrante**, mantenga pulsado el botón de **reproducción/pausa** durante dos segundos.

**Para atender una llamada entrante**, pulse el botón de **reproducción/pausa** y luego suéltelo rápidamente.

**Durante una llamada**, pulse los botones de **subir/bajar volumen** para ajustar el volumen de su interlocutor.

**Cuando desee finalizar una llamada**, pulse el botón de **reproducción/pausa**. En este instante, se reanuda la reproducción del audio Bluetooth.

## Cómo conectar un reproductor de audio con la entrada auxiliar

1. Conecte un cable auxiliar de 3,5 mm (1/8 pulg.) a la entrada ubicada en el panel trasero del Party Rocker™ Go y conecte el otro extremo a un dispositivo de audio, como por ejemplo, un reproductor de MP3 o CD. El altavoz cambiará automáticamente la fuente de audio al modo Aux pero mantendrá todas las conexiones Bluetooth.
2. Inicie la reproducción en el reproductor de música de su dispositivo. Utilice los botones **Subir** y **bajar volumen** para ajustar el volumen auxiliar.

**Nota:** Los controles de volumen del altavoz Party Rocker™ Go actúan independientemente de su dispositivo conectado. Baje el volumen de su dispositivo si se produce distorsión en la señal.

3. Para salir del modo auxiliar, simplemente desconecte el cable auxiliar y el altavoz regresará al modo Bluetooth.

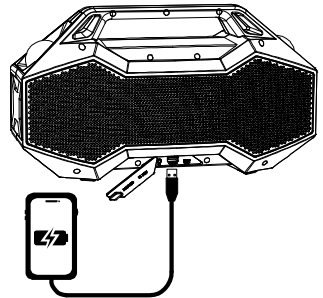
## Usando la Radio

1. Pulse el botón **Radio** para encender la radio FM. El LED sobre el botón se iluminará en blanco fijo. Party Rocker™ Go pausará el audio Bluetooth pero mantendrá la conexión.
2. Mantenga pulsado **Subir volumen** para sintonizar la estación siguiente con buena señal. Mantenga pulsado **Bajar volumen** para sintonizar la estación anterior con buena señal. Si las indicaciones de voz están habilitadas, escuchará leer en voz alta el número de frecuencia de la estación. Por ejemplo, al sintonizar 101.5 FM, escuchará el mensaje de voz: "Uno oh uno punto cinco".
3. Utilizar la aplicación **ION Sound XP™** para guardar una estación en una de las seis ranuras para presets. Consulte [Funcionamiento > Control de aplicación](#) para aprender cómo descargar y utilizar la aplicación como un control remoto para su altavoz Party Rocker™ Go.
4. Pulse y luego suelte rápidamente el botón **Reproducir/Pausa** para recorrer los seis presets de estaciones. Todos los presets sintonizan el valor predeterminado de fábrica de 87.5 FM.

## Uso del puerto de carga

### Para usar el puerto de carga USB:

1. Conecte un cable USB tipo A al puerto de carga USB en el panel posterior de su altavoz Party Rocker™ Go (ver imagen).
2. Conecte el otro extremo del cable a la entrada de carga de su teléfono inteligente, tableta u otro dispositivo compatible.



## Solución de problemas

**Si la unidad no se carga:** Asegúrese de que el cable micro-USB esté conectado correctamente a la entrada de corriente, al adaptador y al tomacorriente. Si utiliza el panel solar para prolongar la vida útil de la batería entre cargas, asegúrese de colocar la unidad en un área que reciba al menos 3 horas de luz solar directa.

**Si el sonido está distorsionado:** Pruebe bajando el control de volumen de su fuente de sonido o instrumento musical. Pruebe también reduciendo el volumen general del Party Rocker™ Go.

**Si los graves son demasiado fuertes:** Intente ajustando el control de tono o ecualización de su Party Rocker™ Go o fuente de sonido para reducir el nivel de graves. De esta forma podrá reproducir la música con más volumen antes de que se produzca el recorte (distorsión).

### Si no puede conectar su dispositivo de audio al Party Rocker Go mediante Bluetooth:

- Mantenga su dispositivo de audio (por ej., teléfono inteligente [smartphone] o tableta) y el Party Rocker™ Go lo más cerca posible entre sí al realizar la conexión. Asegúrese que tanto el dispositivo de audio como el Party Rocker™ Go no estén obstruidos por paredes, muebles, etc.
- Reinicie la conexión Bluetooth del Party Rocker™ Go para desconectarlo Party Rocker™ Go Speaker de cualquier otro dispositivo de audio y reinicie el proceso de búsqueda. Si esto no funciona en seguida, apague el Party Rocker™ Go y luego vuelva a encenderlo. Para más información, consulte [Conexión Bluetooth con el altavoz Party Rocker™ Go](#).
- Reinicie la conexión Bluetooth de su dispositivo de audio apagando el Bluetooth y luego volviendo a encenderlo. Puede encontrar esta opción dentro del menú Bluetooth en los ajustes de su teléfono o dispositivo de audio.

Si esto no funciona y ya se había conectado al Party Rocker™ Go anteriormente, busque Party Rocker™ Go en la lista de dispositivos disponibles o previamente conectados en el menú Bluetooth de su dispositivo de audio, toque el icono de engranaje o "i" ubicado junto a él y luego seleccione **Desaparear** u **Olvidar**. Apague el Party Rocker™ Go, luego vuelva a encenderlo e intente aparearlo nuevamente una vez que vuelva a aparecer en su lista de dispositivos disponibles.

**Nota:** Si Party Rocker™ Go ya ha sido recientemente apareado con otro dispositivo de audio que aún se encuentre dentro del alcance, es posible que tenga que repetir este proceso con ese dispositivo de audio para desconectarlo completamente.

**Si experimenta cortes en el audio al reproducir música desde un dispositivo Bluetooth,** es posible que esto suceda debido a que su unidad está intentando enlazarse con otro altavoz. Esto puede ocurrir si apaga un altavoz que estaba enlazado con su unidad o si acaba de encender su unidad y la misma se encuentra en modo Stereo-Link™. Para detener los cortes de audio, salga del modo Stereo-Link™ pulsando dos veces el **botón Bluetooth**. Como alternativa, puede esperar a que su unidad se enlace con otro altavoz Party Rocker™ Go si es que hay uno dentro del alcance.

**Si desea impedir que su unidad se enlace automáticamente cuando la enciende,** asegúrese de pulsar dos veces el **botón Link** para salir del modo Stereo-Link™ antes de apagarlo.

## Guide d'utilisation (Français)

### Présentation

Merci d'avoir fait l'acquisition de l'enceinte Party Rocker<sup>MC</sup> Go. Chez ION, votre divertissement est aussi important pour nous qu'il l'est pour vous. C'est pourquoi nous concevons nos produits avec une seule chose en tête — rendre la vie plus amusante et plus pratique.

**Remarque :** Veuillez vous assurer d'avoir complètement chargé la batterie du produit avant sa première utilisation. L'appareil a été expressément expédié avec une charge de batterie réduite afin d'assurer un transport sécuritaire.

Veuillez utiliser le câble micro-USB et l'adaptateur d'alimentation fournis pour brancher l'appareil à une prise secteur et le laisser se recharger jusqu'à 4 heures. Ceci permettra de maximiser la durée de vie de la batterie.

### Contenu de la boîte

Party Rocker<sup>MC</sup> Go

Câble micro-USB de 30 cm chacune

Guide d'utilisation rapide

### Assistance

Pour les toutes dernières informations concernant la documentation, les spécifications techniques, la configuration requise, la compatibilité et l'enregistrement du produit, veuillez visiter [ionaudio.com](http://ionaudio.com).

Pour de l'assistance supplémentaire, veuillez visiter [ionaudio.com/support](http://ionaudio.com/support).

### Utilisation extérieure et entretien

Bien que l'enceinte Party Rocker<sup>MC</sup> Go soit résistant à l'eau et tolère les éclaboussures, les conseils ci-dessous qui vous permettront de tirer le maximum de votre Party Rocker<sup>MC</sup> Go:

- L'enceinte Party Rocker<sup>MC</sup> Go doit être rentrée à l'intérieur lors de conditions météorologiques extrêmes.
- Veuillez ne pas placer l'enceinte Party Rocker<sup>MC</sup> Go dans l'eau stagnante.
- Veuillez ne pas utiliser l'adaptateur de rechargement avec l'enceinte Party Rocker<sup>MC</sup> Go lorsqu'elle se trouve dans un environnement humide. Veuillez vous assurer que l'entrée pour adaptateur de rechargement, l'adaptateur de rechargement et la prise secteur soient tous complètement secs avant d'effectuer tout raccordement.
- **MISE EN GARDE :** Gardez tout appareil non étanche (téléphones, lecteurs, etc.) dans un endroit sec à l'abri des éclaboussures et des risques de décharges électriques.



## Rechargement

Pour un rechargement plus rapide, mettez la Party Rocker<sup>MC</sup> Go hors tension et utilisez le câble de rechargement micro-USB fourni afin de brancher l'enceinte à un adaptateur d'alimentation USB (CC 5V 2A, fourni) puis à une prise secteur, ou un ordinateur sous tension.

La DEL (situé au-dessus de la touche d'alimentation) devient rouge lors du rechargement de la batterie, même si l'enceinte est hors tension. Cette DEL s'éteint lorsque le rechargement est terminé. Lorsque la batterie de la Party Rocker<sup>MC</sup> Go est faible, la DEL rouge clignote trois fois toutes les 60 secondes. Si les messages vocaux sont activés, vous entendrez également « Battery Low ».

Si aucun son n'est diffusé par la Party Rocker<sup>MC</sup> Go pendant plus de 15 minutes, l'appareil s'éteindra automatiquement pour économiser de l'énergie.

## Caractéristiques

### Panneau avant



**Touche d'alimentation :** Maintenir cette touche enfoncée permet de mettre l'enceinte Party Rocker<sup>MC</sup> Go sous et hors tension. El LED encima del botón se encenderá permanentemente de color blanco cuando el altavoz esté encendido. Appuyez deux fois sur ce bouton pour désactiver ou activer les invites vocales.



**Bluetooth® :** Maintenez ce bouton enfoncée pour déconnecter un appareil Bluetooth. Voir [Jumelage d'un appareil Bluetooth](#) pour savoir comment procéder.



**Radio :** Appuyez sur ce bouton pour allumer la radio FM. Voir [Fonctionnement > Utiliser la radio](#) pour savoir plus.



**Bass Boost:** Appuyer sur cette touche permet d'augmenter simultanément l'égalisation et le volume des basses.



**Sélecteur du mode d'éclairage :** Appuyer sur cette touche pour allumer les DEL du radiateur passif, du haut-parleur d'extrêmes graves, du dôme et les DEL inférieures comme indiqué ci-dessous. Maintenir la touche du mode d'éclairage enfoncée pour basculer entre les modes Beat Sync et Color Cycle.

- Éteintes
- DEL du radiateur passif allumées
- DEL du radiateur passif + DEL du haut-parleur des graves allumées
- DEL du radiateur passif + DEL du haut-parleur d'extrêmes graves + DEL du dôme + DEL inférieures allumées



**Lancer/interrompre la lecture:** Appuyer sur cette touche permet de lancer ou d'interrompre la lecture d'une piste sur un appareil Bluetooth connecté.



**Volume haut/pas:** Appuyez sur ces boutons pour régler le volume du haut-parleur. Maintenez enfoncée **Volume haut** ou **Volume pas** pour parcourir les pistes Bluetooth.

## Panneau arrière

**Remarque :** Utilisez votre ongle pour retirer le protecteur en caoutchouc du panneau arrière de la Party Rocker<sup>MC</sup> Go :



**Entrée auxiliaire** (3,5 mm, symétrique) : Cette entrée stéréo permet de brancher un lecteur de disques compacts, lecteur MP3 ou autres sources audio. Voir [Fonctionnement > Connexion d'un appareil audio à l'aide de l'entrée Aux](#) pour savoir plus.



**Port de rechargement USB** : Party Rocker<sup>TM</sup> Go comprend une fonction de banque d'alimentation, qui vous permet de charger un smartphone, une tablette ou un autre appareil à l'aide de la batterie interne (capacité : 4000mAh/10.8v 43.2Wh) de l'appareil en connectant un câble ici. Voir [Fonctionnement > Utilisation du port de charge USB](#) pour savoir plus.



**Port de rechargement micro-USB** : utilisez le câble de rechargement micro-USB fourni afin de brancher l'enceinte un adaptateur d'alimentation USB (CC 5V 2A, fourni) puis à une prise secteur, ou un ordinateur sous tension.

## Fonctionnement

### Contrôle d'application

**IMPORTANT :** Afin de profiter de la meilleure expérience possible avec l'application, assurez-vous d'avoir la toute dernière version de Android OS ou de iOS sur votre appareil.

Veuillez suivre les étapes ci-dessous afin de télécharger l'application sur votre appareil :

1. Accédez au Apple App Store ou à Google Play à partir de votre appareil. Recherchez l'application **ION Sound XP<sup>MC</sup>**.
2. Suivez ensuite les consignes à l'écran afin de la télécharger et de l'installer. Une fois téléchargée, l'application **ION Sound XP<sup>MC</sup>** s'affiche sur la fenêtre d'accueil de votre appareil.
3. Connectez votre appareil à l'enceinte Party Rocker<sup>MC</sup> Go via Bluetooth. Voir [Jumelage d'un appareil Bluetooth](#) pour savoir comment procéder.
4. Ouvrez l'application ION Sound XP<sup>MC</sup>. Si vous y êtes invité, autorisez l'application à accéder aux services Bluetooth et de localisation de votre appareil.
5. Appuyez sur pour sélectionner **Add A Product** sur l'écran. L'application va scanner et trouver l'enceinte Party Rocker<sup>MC</sup> Go.

Si vous éprouvez des problèmes de connexion, appuyez sur « **Help with setting up?** » afin d'obtenir des conseils supplémentaires.

6. Sélectionnez l'icône Party Rocker<sup>MC</sup> Go pour passer à la fenêtre suivante, où vous pouvez utiliser l'application pour contrôler diverses fonctions de l'enceinte comme :
  - **Égalisation** : Ce réglage permet d'ajuster l'égalisation de l'enceinte.
  - **Messages vocaux** : Ce réglage permet d'activer et de désactiver les messages vocaux.
  - **Éclairage** : Ce réglage permet de modifier le mode d'éclairage.
  - **FM Radio** : Ce réglage permet d'écouter la radio, de changer la station et de modifier les pré-réglages.
  - **Volume** : Réglez le volume du haut-parleur.
  - **Autonomie de la batterie** : Cette option permet de vérifier l'autonomie de la batterie de l'enceinte.
  - **Assistance technique** : Ce réglage permet d'accéder à [ionaudio.com](http://ionaudio.com), de contacter l'assistance technique et de consulter les informations de garantie et les questions fréquemment posées.

## Jumelage d'un appareil Bluetooth

1. Mettez l'enceinte Party Rocker<sup>MC</sup> Go sous tension en maintenant la **touche d'alimentation** enfoncée pendant 2 secondes. L'enceinte entrera automatiquement en mode de jumelage Bluetooth.
2. Accédez à l'écran de configuration de votre appareil Bluetooth, recherchez « **Party Rocker Go** » et lancez le jumelage. Une fois connectés, l'icône Bluetooth sur l'écran et la DEL sous la touche Bluetooth cessent de clignoter et vous entendrez « Connected » (si les messages vocaux sont activés).

**Remarque :** Ne vous connectez pas à **iSP147\_BLE** ; ceci est exclusivement réservé à la connexion à l'application ION Sound XP™. Si vous rencontrez des problèmes lors de la connexion, sélectionnez "Oublier cet appareil" sur votre appareil Bluetooth et essayez de vous connecter à nouveau.

3. Vous pouvez maintenant utiliser les touches du panneau avant pour commander la lecture audio :
  - Appuyez et relâchez rapidement la touche **Volume +** pour augmenter le volume par incrément.
  - Appuyez et relâchez rapidement la touche **Volume -** pour diminuer le volume par incrément.
  - Maintenez la touche **Volume +** enfoncée afin de passer à la piste suivante.
  - Maintenez la touche **Volume -** enfoncée afin de revenir au début de la piste en cours. Répétez cette action en moins d'une seconde pour passer à la piste précédente.
4. Pour vous déconnecter, désactivez Bluetooth à partir des paramètres Bluetooth de votre appareil, ou maintenez enfoncé le bouton Bluetooth jusqu'à ce que le DEL Bluetooth s'éteigne.

## Stereo-Link™: Synchroniser plusieurs enceintes

1. Veillez à déconnecter tout appareil Bluetooth avant d'essayer de raccorder deux enceintes avec Stereo-Link<sup>MC</sup> en maintenant la touche **Bluetooth**.
2. Appuyez deux fois sur la touche Bluetooth sur chacune des enceintes Party Rocker<sup>MC</sup> Go. Les DEL Bluetooth deviendront bleues et commenceront à clignoter rapidement afin d'indiquer qu'elles tentent de se raccorder. Le raccordement des enceintes peut prendre de 10 à 30 secondes.

**Remarque** : Les haut-parleurs doivent être à moins de 50' (15 m) l'un de l'autre pour se synchroniser correctement. Plus les enceintes sont proches, plus elles se synchroniseront rapidement.

3. Une fois les enceintes raccordées, la DEL Bluetooth bleue de l'enceinte secondaire cesse de clignoter, et la DEL Bluetooth bleue de l'enceinte principale clignote lentement afin d'indiquer qu'elle recherche un autre appareil Bluetooth à jumeler.
4. Accédez au menu des paramètres Bluetooth de votre appareil et sélectionnez **Party Rocker Go** pour le jumeler. Lorsque la connexion est établie, l'enceinte principale émet « Bluetooth Connected » si les messages vocaux sont activés. Lorsque la lecture audio commence, vous entendez le signal par le biais des deux enceintes.
5. Pour quitter le mode Stereo-Link<sup>MC</sup>, appuyez deux fois sur la touche **Bluetooth** des deux enceintes Party Rocker<sup>MC</sup> Go. Lorsque la connexion est supprimée, l'enceinte principale émet « Bluetooth Disconnected » si les messages vocaux sont activés.

**Conseil** : La Party Rocker<sup>MC</sup> Go peut synchroniser l'audio d'autres enceintes ION qui disposent du mode Stereo-Link<sup>MC</sup>. Pour en savoir plus, visitez [ionaudio.com](http://ionaudio.com).

**Remarque** : Maintenir la **touche d'alimentation** de l'enceinte principale en mode Stereo-Link<sup>MC</sup> permet d'éteindre toutes les enceintes raccordées. L'enceinte Party Rocker<sup>MC</sup> Go éteinte en mode Stereo-Link<sup>MC</sup> passera automatiquement en mode Stereo-Link<sup>MC</sup> lorsqu'elle sera rallumée et commencera à rechercher des enceintes secondaires auxquelles se connecter.

## Dual Connect Bluetooth

Cette fonctionnalité vous permet de connecter simultanément deux appareils à une Party Rocker<sup>MC</sup> Go via la connexion Bluetooth.

**Remarque** : Cette fonction ne fonctionne pas en mode Stereo-Link<sup>MC</sup>.

1. Jumelez votre appareil Bluetooth « A » à la Party Rocker<sup>MC</sup> Go comme indiqué dans la section **Jumelage d'un appareil Bluetooth** à la Party Rocker<sup>MC</sup> Go.
2. Jumelez votre appareil Bluetooth « B » à la Party Rocker<sup>MC</sup> Go en accédant au menu des paramètres Bluetooth de l'appareil « B » et en sélectionnant **Party Rocker Go**. La connexion à l'appareil « B » ne perturbera pas la musique diffusée à partir de l'appareil « A ».

**Remarque** : Lorsque la lecture est activée sur l'appareil « B », la musique de l'appareil « A » est interrompue et la musique de l'appareil « B » sera jouée via la Party Rocker<sup>MC</sup> Go. Lorsque la lecture est activée sur l'appareil « A », la musique de l'appareil « B » est interrompue et la musique de l'appareil « A » sera jouée via la Party Rocker<sup>MC</sup> Go.

## Appels Bluetooth

La Party Rocker<sup>MC</sup> Go peut recevoir des appels et faire office de haut-parleur pour les appareils Bluetooth connectés. Lors d'appels entrants, l'enceinte interrompt l'audio Bluetooth et diffuse la sonnerie de l'appareil jusqu'à ce que l'appel soit pris ou rejeté :

**Pour rejet un appel entrant**, maintenez la **touche pour lancer et interrompre la lecture** enfoncée pendant deux secondes.

**Pour prendre un appel entrant**, appuyez puis relâchez rapidement la **touche pour lancer et interrompre la lecture**.

**Pendant un appel**, appuyez sur les **touches du Volume** pour régler le volume de l'interlocuteur.

**Pour mettre fin à l'appel**, appuyez sur la **touche pour lancer et interrompre la lecture**. La lecture Bluetooth reprendra aussitôt.

## Connexion d'un appareil audio à l'aide de l'entrée Aux

1. Brancher un câble auxiliaire de 3,5 mm à l'entrée du panneau arrière de la Party Rocker<sup>MC</sup> Go et brancher l'autre extrémité à un appareil audio tel qu'un lecteur MP3 ou CD. Le haut-parleur basculera automatiquement la source audio en mode Aux mais maintiendra toutes les connexions Bluetooth.

2. Appuyez sur la touche de lecture sur votre appareil. Utilisez les **Boutons de volume haut/pas** pour régler le volume de l'entrée auxiliaire.

**Remarque :** Les commandes de volume des enceintes Party Rocker<sup>MC</sup> Go agissent indépendamment de celle de l'appareil auxiliaire. Réduisez le volume sur l'appareil auxiliaire en cas de distorsion.

3. Pour quitter le mode auxiliaire, débranchez simplement le câble auxiliaire et l'enceinte reviendra en mode Bluetooth.

## Utiliser la radio

1. Appuyez sur la touche **Radio** pour allumer la radio FM. La LED au-dessus du bouton s'allumera en blanc fixe. Party Rocker<sup>TM</sup> Go mettra en pause l'audio Bluetooth mais maintiendra la connexion.

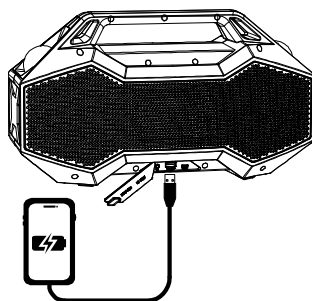
2. Appuyez sur la touche **Volume haut** pour passer à la station radio suivante ayant un signal clair. Appuyez sur la touche **Volume pas** pour passer à la station radio précédente ayant un signal clair. Si les invites vocales sont activées, vous entendrez le numéro de fréquence de la station lu à haute voix. Par exemple, lors du réglage sur 101,5 FM, vous entendrez l'invite vocale : "Un oh un virgule cinq".

3. Utiliser l'application **ION Sound XP<sup>MC</sup>** pour programmer une station dans l'un des dix emplacements prédéfinis. Veuillez consulter la section **Fonctionnement > Utilisation de l'application** pour savoir comment télécharger et utiliser l'application comme télécommande pour l'enceinte Party Rocker<sup>MC</sup> Go.

4. Appuyer puis relâcher rapidement la touche pour **Lancer/interrompre la lecture** pour faire défiler les dix pré-réglages de station. Tous les pré-réglages sont réglés sur 87,5 FM par défaut.

**Utilisation du port de charge USB****Pour utiliser le port de charge USB :**

1. Connectez un câble USB de type A au port de charge USB sur le panneau arrière de votre enceinte Party Rocker™ Go (voir image).
2. Connectez l'autre extrémité du câble à l'entrée de charge de votre smartphone, tablette ou autre appareil compatible.



## Dépannage

**Si l'appareil ne se recharge pas :** Veuillez vous assurer que le câble micro-USB est correctement branché à l'entrée d'alimentation, à l'adaptateur d'alimentation et à une prise secteur. Si vous désirez utiliser le panneau solaire afin de prolonger l'autonomie de la batterie entre les charges, veuillez placer l'appareil dans un endroit exposé à la lumière directe du soleil pendant au moins 3 heures par jour.

**Lorsqu'il y a de la distorsion :** Essayez de diminuer le volume sur l'appareil d'entrée audio ou l'instrument de musique. Essayez également de diminuer le volume de l'enceinte Party Rocker<sup>MC</sup> Go.

**Lorsqu'il y a trop de basses fréquences :** Essayez de régler le niveau de tonalité et d'égalisation de l'enceinte Party Rocker<sup>MC</sup> Go ou de la source d'entrée audio afin de diminuer le niveau des basses fréquences. Cela vous permettra d'augmenter le volume de la musique avant que l'écrêtage se produise.

**Si vous ne pouvez connecter votre appareil audio à l'enceinte Party Rocker<sup>MC</sup> Go par connexion Bluetooth :**

- Veillez à ce que votre appareil audio (p. ex., téléphone intelligent ou tablette) et l'enceinte Party Rocker<sup>MC</sup> Go soient le plus près possible l'un de l'autre lors du jumelage. Veillez également à ce qu'aucun obstacle ne se trouve entre l'appareil audio et l'enceinte Party Rocker<sup>MC</sup> Go, comme des murs, des meubles, etc.
- Réinitialisez la connexion Bluetooth sur l'enceinte Party Rocker<sup>MC</sup> Go afin de supprimer toute connexion à l'enceinte Party Rocker<sup>MC</sup> Go et recommencer le processus de recherche d'appareil. Si cela ne fonctionne pas immédiatement, mettez l'enceinte Party Rocker<sup>MC</sup> Go hors tension et de nouveau sous tension. Veuillez consulter la section **Jumelage d'un appareil Bluetooth** afin d'en savoir plus.
- Réinitialisez la connexion Bluetooth sur l'appareil audio en désactivant et réactivant la connexion Bluetooth. Vous pouvez effectuer ceci à partir du menu Bluetooth dans les réglages de votre téléphone intelligent ou autre appareil audio.

Si cela ne fonctionne pas et que vous avez déjà connecté votre appareil à la l'enceinte Party Rocker<sup>MC</sup> Go auparavant, veuillez rechercher l'enceinte Party Rocker<sup>MC</sup> Go dans la liste des appareils disponibles ou précédemment connectés dans le menu Bluetooth de votre appareil audio, puis appuyer sur l'icône engrenage ou « i » située à côté de « Oublier cet appareil ». Mettez l'enceinte Party Rocker<sup>MC</sup> Go hors tension et de nouveau sous tension et réessayez de la jumeler une fois qu'elle apparaît dans la liste des appareils disponibles.

**Remarque :** Si l'enceinte Party Rocker<sup>MC</sup> Go a été récemment jumelée à un autre appareil audio qui est toujours dans son champ de portée, il se peut que vous deviez répéter ce processus avec cet appareil audio afin de supprimer la connexion.

**Si vous éprouvez des pertes audio lorsque vous écoutez de la musique à partir d'un appareil Bluetooth,** il se peut que l'enceinte Party Rocker<sup>MC</sup> Go tente de se connecter à une autre enceinte. Ceci peut se produire lorsque vous éteignez une enceinte reliée à l'enceinte Party Rocker<sup>MC</sup> Go ou lorsque vous venez tout juste d'allumer celle-ci et qu'elle est en mode Stereo-Link<sup>MC</sup>. Pour supprimer les pertes audio, quittez le mode Link en appuyant deux fois sur la **touche Bluetooth**. Vous pouvez également attendre qu'elle se connecte à une autre l'enceinte Party Rocker<sup>MC</sup> Go s'il y en a une à sa portée.

**Si vous souhaitez éviter que l'enceinte tente de se connecter automatiquement lorsque vous la mettez sous tension,** assurez-vous d'appuyer deux fois sur la **touche Bluetooth** pour quitter le mode Stereo-Link<sup>MC</sup> avant de la mettre hors tension.

## Appendix (English)

### Technical Specifications

<b>Output Power</b>	60 W (peak)
<b>Frequency Response</b>	115 Hz – 15 kHz
<b>Drivers</b>	2 x 3.5" (89 mm)
<b>Bluetooth Specifications</b>	<b>Profile:</b> A2DP, AVRCP <b>Bluetooth Version:</b> 5.3 <b>Range:</b> Up to 100 feet (30.5 m) * <b>Stereo-Link™ Range:</b> Up to 100 ft. (30.5 m) between speakers
<b>Water Resistance Class</b>	IPX5
<b>Battery</b>	<b>Capacity:</b> 4000mAh/10.8v 43.2Wh <b>Battery life:</b> Up to 20 hours (at 20% volume, lights on) ** <b>Charge Time:</b> Up to 4 Hours (using 5V, 2A USB power adapter)
<b>Dimensions</b> (width x depth x height)	14.69" x 5.91" x 8.32" (37.31mm x 15mm x 21.13mm)
<b>Weight</b>	5.73 lbs. (2.6 kg)

Specifications are subject to change without notice.

\* Bluetooth and wireless reception and range are affected by walls, obstructions, and movement. For optimal performance, place the product so it is unobstructed by walls or furniture and is raised off the ground.

\*\* Battery life may vary based on temperature, age, and volume usage of product.

### Trademarks & Licenses

ION Audio is a trademark of inMusic Brands, Inc., registered in the U.S. and other countries.

The *Bluetooth* word mark and logos are owned by the Bluetooth SIG, Inc. and any use of such marks by ION Audio is under license.

App Store is a trademark of Apple Inc., registered in the U.S. and other countries.

Android and Google Play are registered trademarks of Google Inc. All other product names, company names, trademarks, or trade names are those of their respective owners.



[ionaudio.com](http://ionaudio.com)