

LG REFRIGERATION

LRMDS3006_

4-Door French Door Refrigerator

Door-in-Door® with adjustable bin
 Full-Convert™ Drawer
 Dual Ice Maker with Craft Ice™
 Smart Cooling Plus™ System
 PrintProof™
 Micro Surface LED
 Door Cooling +
 CoolGuard™ Metal Back Wall
 Measured Fill
 LG ThinQ® App Compatible
 SmartDiagnosis™
 ENERGY STAR® Qualified

Enjoy new ways to control your home with LG smart appliances

LG ThinQ®

- Get an alert when kids forget to close the door
- Make more ice while you're at work
- Works with the LG ThinQ® app



CAPACITY

Refrigerator (cu.ft.)	17.00
Full-Convert™ Drawer	3.60
Freezer (cu.ft.)	8.90
Total Capacity (cu.ft.)	29.50

ENERGY

Energy Consumption (kWh/Year)	799
ENERGY STAR® Qualified	Yes

WATER & ICE SYSTEM

Ice & Water Dispenser	Yes
Dispenser Type	Integrated Ice & Water Dispenser
Measured Fill	Yes
Daily Ice Production (lbs)	3.5 lbs
IcePlus™ Production (lbs)	3.8 lbs
Craft Ice™ Daily Ice Production	0.4 lbs
Ice Storage Capacity (lbs)	3.0 + 3.3 lbs
Ice System	Slim SpacePlus®
Dual Ice with Craft Ice™	Yes
Dispenser Light	Yes
Water Filter	LT1000P

COOLING

Linear Compressor	Yes
Smart Cooling Plus™ System	Yes
Door Cooling+	Yes
Multi-Air Flow™ System	Yes
Temperature Sensors	9
Fresh Air Filter	Yes
Evaporator	2

CONVENIENCE

Display Type	Smooth Touch Control / White LED
Temperature Controls	Electronic/Digital
Door Alarm	Yes
Child Lock	Yes
Auto Closing Door Hinge	Yes
Sabbath Mode	Yes
LoDecibel™ Quiet Operation	Yes

REFRIGERATOR

No. of Shelves	4 Split (3 Fixed+1 Folding)
Folding Shelf	1
Cantilevered Shelves	Yes
Shelf Construction	Spill Protector™ Tempered Glass
Crisper Bins	2 Humidity Crisper
CoolGuard™	Yes
Refrigerator Light	Micro Surface LED

Full-Convert™ Drawer

Dividers	Yes
Temperature Range (°F)	-7, 29, 33, 37, 41
Handle Type	SmartPull™

REFRIGERATOR DOOR

Door-in-Door® with ColdSaver™ Panel	Yes
Adjustable Door-in-Door® Bin	Yes
No. of Bins	8
Door Bin Construction	1 Piece (Clear)

FREEZER

Door Type	Pull Drawer
Drawers	3- Tier Organization
DuraBase™ Solid Drawer Base	Yes
Drawer Divider	Yes
Ice Bin / In-Door Ice	Icemaker & Ice bin in the freezer
Freezer Light	Premium LED
Freezer Handle	SmartPull™ Handle

Smart Features

wi-fi Enabled	Yes
ThinQ®	Yes
Works with	Google Assistant, Amazon Alexa
SmartDiagnosis™	Yes

MATERIALS AND FINISHES

Contour Door	Yes
Hidden Hinges	Yes
Surface	Smooth
Fingerprint & Smudge Resistant Exterior	Yes
Handles	Matching Commercial Handles
All Available Colors	PrintProof™ Stainless Steel PrintProof™ Black Stainless Steel

DIMENSIONS/CLEARANCES/WEIGHTS

Depth with Handles	38 1/9"
Depth without Handles	35 2/3"
Depth without Door	31"
Depth (Total with Door Open)	50"
Height to Top of Case	69"
Height to Top of Door Hinge	70 1/4"
Width	35 3/4"
Width (Door Open 90° with Handle)	45"
Width (Door Open 90° without Handle)	40"
Door Edge Clearance with Handle	4 5/8"
Door Edge Clearance without Handle	2 1/4"
Installation Clearance	Sides 1/8", Top 1", Back 2"
Weight (Unit/Carton)	404 lbs. / 437 lbs.
Carton Dimensions (WxHxD)	38" x 73" x 40"

LIMITED WARRANTY

Parts & Labor	1 Year
Sealed System (Parts & Labor)	5 Years
Compressor (Parts & Labor)	5 Years
Linear Compressor (Parts Only)	6-10 Years

UPC CODES

LRMDS3006S (PrintProof™ Stainless Steel)	048231803205
LRMDS3006D (PrintProof™ Black Stainless Steel)	048231803212

LG REFRIGERATION

LRMDS3006_

4-Door French Door Refrigerator

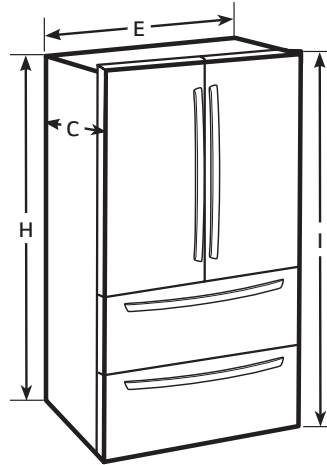
QUICK INSTALL & CLEARANCES

For full installation directions/clearances please refer to the corresponding User Manual and Installation Guide.

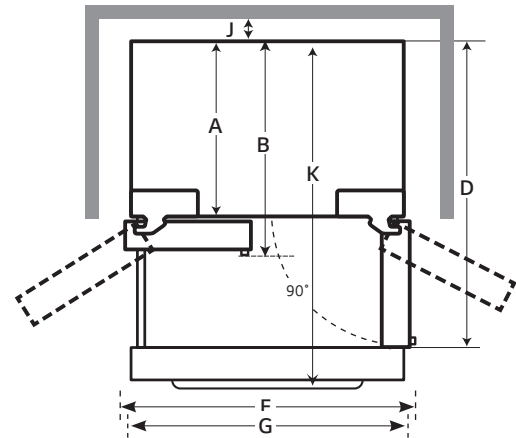
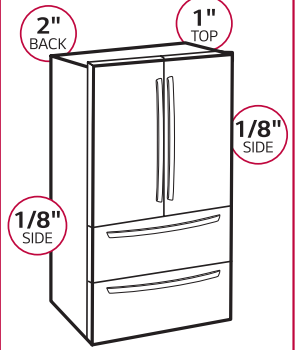
DIMENSIONS/CLEARANCES/WEIGHTS

A Depth without Door	31"
B Depth with Handles	38 1/9"
C Depth without Handles	35 2/3"
D Depth (Total with Door Open)	50"
E Width	35 3/4"
F Width (Door Open 90° with Handle)	45"
G Width (Door Open 90° without Handle)	40"
• Door Edge Clearance with Handle (Not Shown)	4 5/8"
• Door Edge with Clearance without Handle (Not Shown)	2 1/4"
H Height to Top of Case	69"
I Height to Top of Door Hinge	70 1/4"
J Back Clearance	2"
N Depth (Total with Freezer Drawer Open)	59 3/8"
Installation Clearances	Sides 1/8", Top 1", Back 2"
Carton Dimensions (WxHxD)	38" x 73" x 40"
ENERGY	
Energy Consumption (kWh/Year)	799
ENERGY STAR® Qualified	Yes

PRODUCT DIMENSIONS



CLEARANCES



CHOOSING THE PROPER LOCATION

WATER

Select a place where a water supply can be easily connected for the automatic

NOTE

- The water pressure must be 20 – 120 psi or 138 – 827 kPa or 1.4 – 8.4 kgf/cm². If the refrigerator is installed in an area with low water pressure (below 20 psi), you can install a booster pump to compensate for the low pressure.

ELECTRICITY

The refrigerator should always be plugged into its own individual properly grounded electrical outlet rated for 115 Volts, 60 Hz, AC only, and fused at 15 or 20 amperes. This provides the best performance and also prevents overloading house wiring circuits which could cause a fire hazard from overheated wires. It is recommended that a separate circuit serving only this appliance be provided.

WARNING

- To reduce the risk of electric shock, do not install the refrigerator in a wet or damp area.

FLOORING

To avoid noise and vibration, the unit must be leveled and installed on a solidly constructed floor. If required, adjust the leveling legs to compensate for the unevenness of the floor. The front should be slightly higher than the rear to aid in door closing. Leveling legs can be turned easily by tipping the cabinet slightly. Turn the leveling legs to the left to raise the unit or to the right to lower it.

NOTE

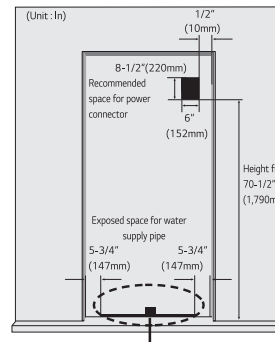
- Installing on carpeting, soft tile surfaces, a platform or weakly supported structure is not recommended.

AMBIENT TEMPERATURE

Install this appliance in an area where the temperature is between 55°F (13°C) and 110°F (43°C). If the temperature around the appliance is too low or high, cooling ability may be adversely affected.

CONNECTING POWER AND SECURING SPACE FOR WATER SUPPLY PIPE

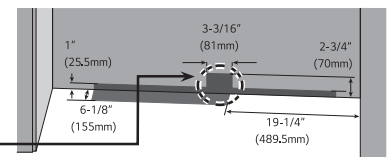
- Make sure the location of the water supply pipe is within the marked range.
- Before connecting the power, always make sure to ground the product. (If the product is not grounded, the user may be able to feel the electricity due to the minute leakage current when touching the refrigerator door handle or side corner even when there is no issue with the product.)
- Do not ground the product to gas pipe, plastic water pipe or telephone wire etc. It can cause electric shock and explosion.



Power connection

The location of the 115V 60Hz power connector must be located on the rear side of the product as shown in the picture.

When installing the product, make sure to check whether the cord is hung on the hook on the rear side so that it is not pressed on the refrigerator. Damaged power cord can cause a fire.



Installation space for water supply pipe

Place the water hose for ice maker and water dispenser as shown in the picture, and prepare hose to come up from the floor. (Copper pipe with diameter of 5/16" (8mm) is recommended for the water hose.) If the water pipe and water hose is located far from the product, bury the water hose on the floor and provide appropriate treatment.

