

SAMSUNG

Product Guide

6300 Series Laundry

Available in White, Champagne and Platinum



Table of Contents

WF45B6300 - Front Load Washer

Product Overview

Product Overview 4

Carousel Image Order 5

Product Messaging

Features and Benefits 9

Lifestyle Images 15

Product Specs

Related Products and Accessories 19

Spec Sheet 20

Energy Guide 21

User Manual and Warranty 22

Feature Icons 24

DVE45B6300 - Electric Dryer

DVG45B6300 - Gas Dryer

Product Overview

Product Overview 26

Carousel Image Order 27

Product Messaging

Features and Benefits 31

Product Specs

Related Products and Accessories 36

Spec Sheets 37

User Manual and Warranty 39

Feature Icons 41

Product Overview

WF45B6300AW

WF45B6300AC

WF45B6300AP

**4.5 cu. ft. Large Capacity Smart Front Load Washer
with Super Speed Wash**

Product Overview

Product Title

4.5 cu. ft. Large Capacity Smart Front Load Washer with Super Speed Wash

Product Short Description (213 Characters)

Samsung's new 4.5 cu. ft. large capacity Front Load Washer washes full loads with full performance in 28 minutes* and with Wi-Fi, allows you to receive end of cycle alerts and schedule laundry from your smartphone.**

Product Long Description (291 Characters)

Samsung's new 4.5 cu. ft. large capacity Front Load Washer features Super Speed Wash, so you can wash full loads with full performance in just 28 minutes,* and has built-in Wi-Fi so you can receive end of cycle alerts and remotely start, stop, and schedule laundry right from your smartphone.**

*Based on using Super Speed on a Normal cycle with an 8lb load.

**Requires wireless network, Samsung account and SmartThings App. Available on Android and iOS devices.

Available Colors



White

Model Number: WF45B6300AW

UPC: 887276627434



Champagne

Model Number: WF45B6300AC

UPC: 887276627403



Platinum

Model Number: WF45B6300AP

UPC: 887276627410



Carousel Image Order

WF45B6300AW

Easy Ads links

Retail.com: <https://dam.gettyimages.com/p/z0c3461/external?o=AND&q=WF45B6300AW%20Carousel%20Images%20RCOM>
Samsung.com: <https://dam.gettyimages.com/p/z0c3461/external?o=AND&q=WF45B6300AW%20Carousel%20Images%20SCOM>
360 Spin: <https://dam.gettyimages.com/p/z0c3461/external?o=AND&q=WF45B6300AW%20360%20Spins>



Carousel Image Order

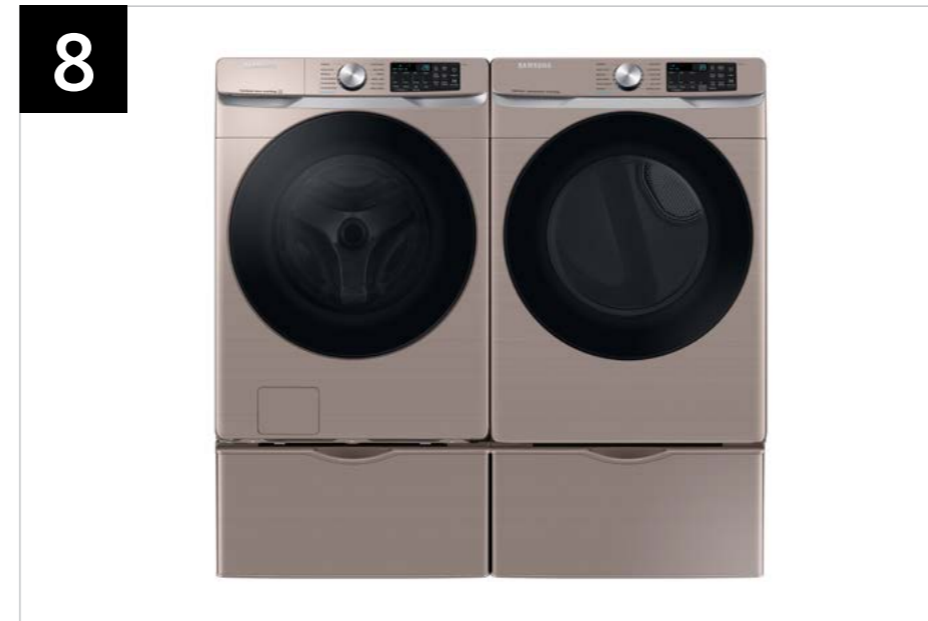
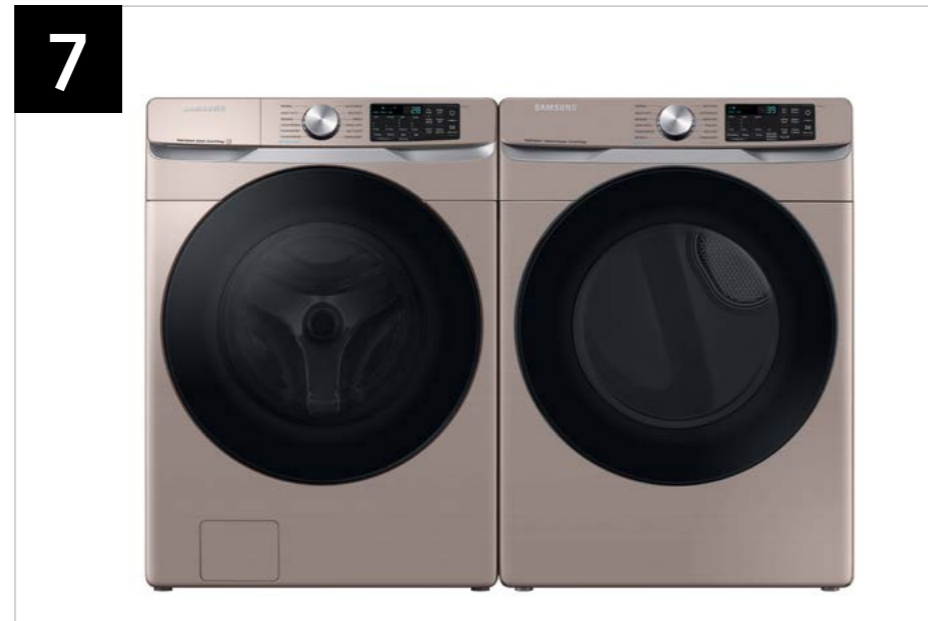
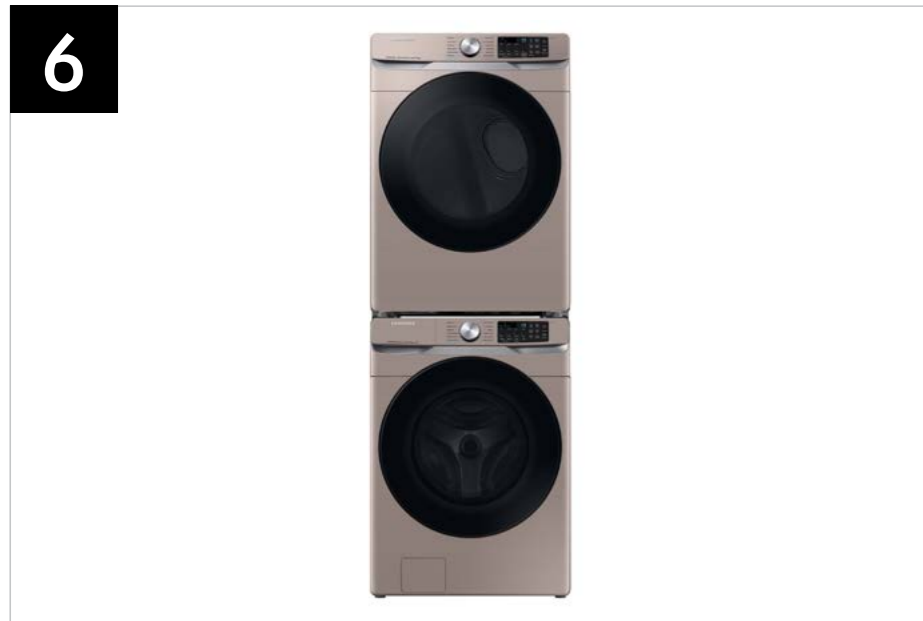
WF45B6300AC

Easy Ads links

Retail.com: <https://dam.gettyimages.com/p/z0c3461/external?o=AND&q=WF45B6300AC%20Carousel%20Images%20RCOM>

Samsung.com: <https://dam.gettyimages.com/p/z0c3461/external?o=AND&q=WF45B6300AC%20Carousel%20Images%20SCOM>

360 Spin: <https://dam.gettyimages.com/p/z0c3461/external?o=AND&q=WF45B6300AC%20360%20Spins>



Carousel Image Order

WF45B6300AP

Easy Ads links

Retail.com: <https://dam.gettyimages.com/p/z0c3461/external?o=AND&q=WF45B6300AP%20Carousel%20Images%20RCOM>
 Samsung.com: <https://dam.gettyimages.com/p/z0c3461/external?o=AND&q=WF45B6300AP%20Carousel%20Images%20SCOM>
 360 Spin: <https://dam.gettyimages.com/p/z0c3461/external?o=AND&q=WF45B6300AP%20360%20Spins>



Product Messaging

WF45B6300AW


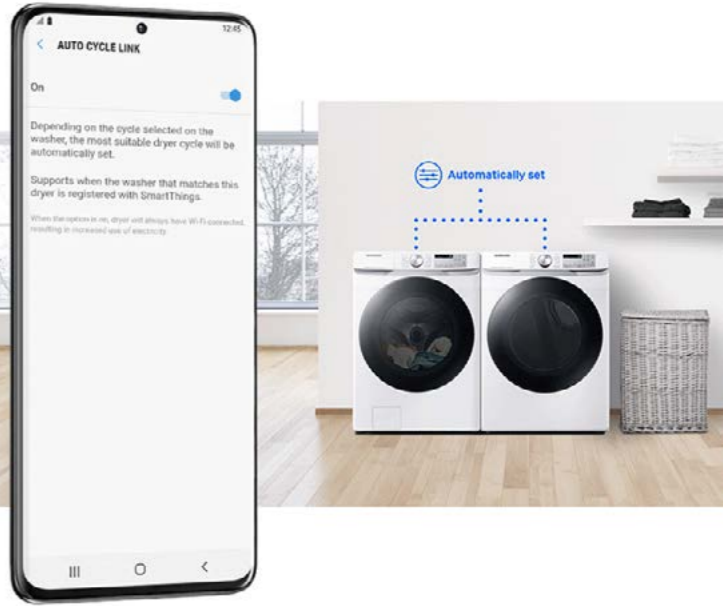

WF45B6300AC

WF45B6300AP

**4.5 cu. ft. Large Capacity Smart Front Load Washer
with Super Speed Wash**




**Features and Benefits:
WF45B6300***

White Washer Easy Ads link: <https://dam.gettyimages.com/p/z0c3461/external?o=AND&q=WF45B6300AW%20Below%20the%20Fold>
 Champagne Washer Easy Ads link: <https://dam.gettyimages.com/p/z0c3461/external?o=AND&q=WF45B6300AC%20Below%20the%20Fold>
 Platinum Washer Easy Ads link: <https://dam.gettyimages.com/p/z0c3461/external?o=AND&q=WF45B6300AP%20Below%20the%20Fold>

Headline	Feature Name	Long Body Copy	Short Body Copy	Associated Image
<p>Wash a full load in just 28 minutes*</p>	<p>Super Speed Wash</p>	<p>Wash a full load of laundry in just 28 minutes,* without sacrificing cleaning performance. *Based on using Super Speed on a Normal cycle with an 8lb load.</p>	<p>Fast, thorough washing in just 28 minutes.* *Based on using Super Speed on a Normal cycle with an 8lb load.</p>	
<p>Control in the palm of your hand</p>	<p>Wi-Fi Connectivity</p>	<p>Wi-Fi connected so you can receive end of cycle alerts, remotely start or stop your wash, schedule cycles on your time, and more, right from your smartphone with the SmartThings App.* *Requires wireless network, Samsung account and SmartThings App. Available on Android and iOS devices.</p>	<p>Receive end of cycle alerts, remotely start, schedule, and more, from your smartphone with the SmartThings App.* *Requires wireless network, Samsung account and SmartThings App. Available on Android and iOS devices.</p>	
<p>Purchase with confidence</p>	<p>20-Year Motor Warranty</p>	<p>Purchase with confidence any Samsung Washer model with a Digital Inverter Motor and receive a 20 year warranty on the motor.* *20-year warranty limited to the Digital Inverter Motor of washers purchased on 7/1/2022 or later. Purchase receipt indicating purchase date required for a claim. Additional restrictions and limitations apply, see warranty for details.</p>	<p>Purchase with confidence any Samsung Washer model with a Digital Inverter Motor and receive a 20 year warranty on the motor.* *20-year warranty limited to the Digital Inverter Motor of washers purchased on 7/1/2022 or later. Purchase receipt indicating purchase date required for a claim. Additional restrictions and limitations apply, see warranty for details.</p>	




**Features and Benefits:
WF45B6300* (Continued)**

White Washer Easy Ads link: <https://dam.gettyimages.com/p/z0c3461/external?o=AND&q=WF45B6300AW%20Below%20the%20Fold>
 Champagne Washer Easy Ads link: <https://dam.gettyimages.com/p/z0c3461/external?o=AND&q=WF45B6300AC%20Below%20the%20Fold>
 Platinum Washer Easy Ads link: <https://dam.gettyimages.com/p/z0c3461/external?o=AND&q=WF45B6300AP%20Below%20the%20Fold>

Headline	Feature Name	Long Body Copy	Short Body Copy	Associated Image
Gently remove stains	Steam	The power of steam lets you gently remove stains without any time-consuming pretreatments. Steam is released from the drum so every item in the load is thoroughly saturated, ensuring a deep clean.	The power of steam lets you gently remove stains without any time-consuming pretreatments.	
N/A	Energy Star Most Efficient	Our washers are recognized by the EPA in delivering cutting-edge energy efficiency along with the latest in technological innovation.* <small>*Visit www.energystar.gov for more information on ENERGY STAR® guidelines.</small>	Recognized for delivering cutting-edge energy efficiency and innovation.* <small>*Visit www.energystar.gov for more information on ENERGY STAR® guidelines.</small>	
Fit more for fewer loads	Large 4.5 cu. ft. Capacity	Fewer loads, less time in the laundry room, and more time doing the things you love.	Fewer loads, less time in the laundry room.	

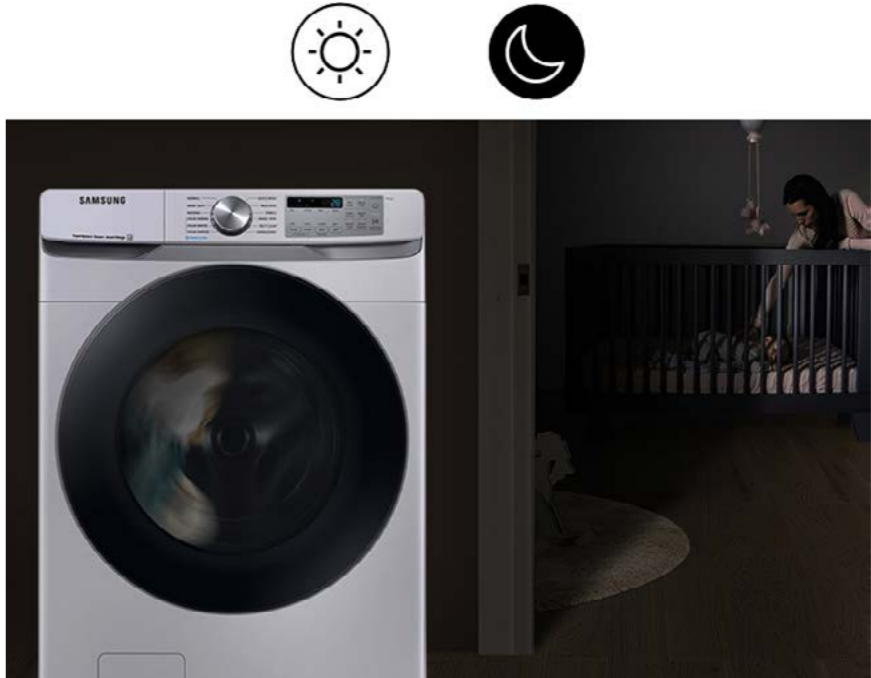


Features and Benefits: WF45B6300* (Continued)

White Washer Easy Ads link: <https://dam.gettyimages.com/p/z0c3461/external?o=AND&q=WF45B6300AW%20Below%20the%20Fold>
 Champagne Washer Easy Ads link: <https://dam.gettyimages.com/p/z0c3461/external?o=AND&q=WF45B6300AC%20Below%20the%20Fold>
 Platinum Washer Easy Ads link: <https://dam.gettyimages.com/p/z0c3461/external?o=AND&q=WF45B6300AP%20Below%20the%20Fold>

Headline	Feature Name	Long Body Copy	Short Body Copy	Associated Image
<p>Open the door to a fresher washer</p>	<p>Antimicrobial Technology</p>	<p>The inside of the washer is treated with antimicrobial technology to help keep it smelling fresh.*</p> <p><small>*Antimicrobial treatment does not protect users or other items against bacteria, viruses, germs, or other disease organisms.</small></p>	<p>Keep your drum smelling fresh with antimicrobial technology.*</p> <p><small>*Antimicrobial treatment does not protect users or other items against bacteria, viruses, germs, or other disease organisms.</small></p>	
<p>Premium design for an elevated look</p>	<p>Scratch-Resistant Tempered Glass Door</p>	<p>Our sleek, new flat-panel door will elevate any laundry space and with scratch-resistant tempered glass, it combines an ultra-premium design with a durable finish.</p>	<p>Sleek and scratch-resistant, our new flat-panel door will elevate any laundry space.</p>	
<p>Space-saving design</p>	<p>Closet-Depth Fit*</p>	<p>Perfect for any laundry space, this washer has a shallower depth for an easy installation into closets without sacrificing any washing capacity.*</p> <p><small>*Designed to fit a 39" installation depth.</small></p>	<p>A shallower depth allows for an easy installation into closets without sacrificing washing capacity.*</p> <p><small>*Designed to fit a 39" installation depth.</small></p>	



**Features and Benefits:
WF45B6300* (Continued)**

White Washer Easy Ads link: <https://dam.gettyimages.com/p/z0c3461/external?o=AND&q=WF45B6300AW%20Below%20the%20Fold>
 Champagne Washer Easy Ads link: <https://dam.gettyimages.com/p/z0c3461/external?o=AND&q=WF45B6300AC%20Below%20the%20Fold>
 Platinum Washer Easy Ads link: <https://dam.gettyimages.com/p/z0c3461/external?o=AND&q=WF45B6300AP%20Below%20the%20Fold>

Headline	Feature Name	Long Body Copy	Short Body Copy	Associated Image
<p>Quiet washing anytime, any place</p>	<p>Vibration Reduction Technology+</p>	<p>Do your laundry without disturbing anyone. Innovative Vibration Reduction Technology+ reduces noise and vibration for quiet washing at any time and in any place.</p>	<p>Reduces noise and vibration for quiet washing.</p>	
<p>N/A</p>	<p>Swirl+ Drum Interior</p>	<p>Improved drum pattern extracts more water more quickly during the rinsing cycle and prevents fabrics from snagging during washing.</p>	<p>Improved drum pattern extracts more water more quickly.</p>	
<p>Keep your washer fresh and clean</p>	<p>Self Clean+</p>	<p>Self Clean+ cleans the inside of your washer to keep it smelling fresh and will also remind you every 40 wash cycles when it is time for a cleaning.</p>	<p>Self Clean+ cleans the inside of your washer and will remind you every 40 cycles when it is time for a cleaning.</p>	

**Features and Benefits:
WF45B6300* (Continued)**

White Washer Easy Ads link: <https://dam.gettyimages.com/p/z0c3461/external?o=AND&q=WF45B6300AW%20Below%20the%20Fold>
 Champagne Washer Easy Ads link: <https://dam.gettyimages.com/p/z0c3461/external?o=AND&q=WF45B6300AC%20Below%20the%20Fold>
 Platinum Washer Easy Ads link: <https://dam.gettyimages.com/p/z0c3461/external?o=AND&q=WF45B6300AP%20Below%20the%20Fold>

Headline	Feature Name	Long Body Copy	Short Body Copy	Associated Image
<p>Easier use, for everyone</p>	<p>ADA Compliant</p>	<p>With use of a Samsung Riser,* your washer or dryer is compliant with the Americans with Disabilities Act (ADA), making loading and unloading much easier.</p> <p><small>*ADA Compliant when using 27" wide riser. (Riser model codes: WE272NW, WE272NC, WE272NV)</small></p>	<p>Designed for easy use for everyone.*</p> <p><small>*ADA Compliant when using 27" wide riser. (Riser model codes: WE272NW, WE272NC, WE272NV)</small></p>	
<p>Perfect pair</p>	<p>Matching Accessories</p>	<p>Round out your laundry setup with a matching dryer, pedestal, riser, and more.</p>	<p>N/A</p>	

Lifestyle Images

WF45B6300AW

WF45B6300AC

WF45B6300AP

**4.5 cu. ft. Large Capacity Smart Front Load Washer
with Super Speed Wash**

Lifestyle Images

Easy Ads link

<https://dam.gettyimages.com/p/z0c3461/external?o=AND&q=WF45B6300%20Lifestyle%20Images>



White 6300 Pair



Champagne 6300 Pair



Platinum 6300 Pair



White 6300 Pair



Champagne 6300 Pair



Platinum 6300 Pair

Lifestyle Images

Easy Ads link

<https://dam.gettyimages.com/p/z0c3461/external?o=AND&q=WF45B6300%20Lifestyle%20Images>



White 6300 Pair



Champagne 6300 Pair



Platinum 6300 Pair



White 6300 Pair



Champagne 6300 Pair



Platinum 6300 Pair

Lifestyle Images

Easy Ads link

<https://dam.gettyimages.com/p/z0c3461/external?o=AND&q=WF45B6300%20Lifestyle%20Images>



White 6300 Pair



Champagne 6300 Pair



Platinum 6300 Pair

Product Specs

WF45B6300AW

WF45B6300AC

WF45B6300AP

**4.5 cu. ft. Large Capacity Smart Front Load Washer
with Super Speed Wash**

Related Products and Accessories


Dryer Series	Pedestal	Riser	Stacking Kit
DVE45B6300W DVG45B6300W DVE45B6300C DVG45B6300C DVE45B6300P DVG45B6300P	WE402NW WE402NC WE402NP	WE272NW WE272NC	SKK-8K

Spec Sheet

Easy Ads link

<https://dam.gettyimages.com/p/z0c3461/external?o=AND&q=WF45B6300%20Spec%20Sheet>

WF45B6300AW | WF45B6300AC | WF45B6300AP
Samsung 4.5 cu. ft. Large Capacity Smart Front Load Washer with Super Speed Wash



Available Colors

- White
WF45B6300AW
- Champagne
WF45B6300AC
- Platinum
WF45B6300AP

Features

- Super Speed Wash
- Wi-Fi Connectivity¹
- Steam
- ENERGY STAR[®] Most Efficient
- Large 4.5 cu. ft. Capacity
- Antimicrobial Technology
- Scratch-Resistant Tempered Glass Door
- Closet-Depth Fit²
- Vibration Reduction Technology³
- Swirl[®] Drum Interior
- Self Clean⁺
- ADA Compliant³
- Accessibility (AUI, Braille)
- Stackable
- Internal Water Heater
- 1200 RPM Maximum Spin Speed
- Direct Drive Motor
- 23 Total Washing Cycles
- 9 Additional Washing Options

Specifications

23 Total Washing Cycles:
Normal, Heavy Duty, Bedding, Quick Wash, Delicates, Towels, Rinse + Spin, Self Clean+, Steam Sanitize, Steam Normal, Steam Whites, Downloads, Permanent Press, Activewear, Wool, Eco Cold, Colors, Outdoor, Denim, Steam Allergen, Power Steam, Steam Bulky, Power Rinse

9 Additional Washing Options:
Pre Soak, Steam, Delay End, Smart Control, Super Speed, Smart Care, Sound, Child Lock, Spin Only

5 Soil Settings:
Heavy, Heavy Medium, Normal, Medium Low, Light

Warranty
One (1) Year Parts and Labor
Three (3) Years Stainless Steel Tub (Part Only)
Twenty (20) Years; Washing DIT (Digital Inverter Motor) Motor Part (Part Only)

Product Dimensions & Weight (WxHxD)
Dimensions: 27" x 38 3/4" x 31 1/8"
Weight: 200.6 lbs

Shipping Dimensions & Weight (WxHxD)
Dimensions: 29 1/8" x 42 1/8" x 34 1/8"
Weight: 205 lbs

Optional Accessories

Model #	UPC Code
White Pedestal	WE402NW 887276310152
Champagne Pedestal	WE402NC 887276310121
Platinum Pedestal	WE402NP 887276310158
White Riser	WE272NW 887276197647
Champagne Riser	WE272NC 887276393940
Stacking Kit	SKK-8K 887276344034

Matching Electric Dryer

Model #	UPC Code
White	DVE45B6300W 887276628035
Champagne	DVE45B6300C 887276628004
Platinum	DVE45B6300P 887276628011

Matching Gas Dryer

Model #	UPC Code
White	DVG45B6300W 887276628073
Champagne	DVG45B6300C 887276628042
Platinum	DVG45B6300P 887276628059

Convenience

- Child Lock
- Dispenser Trays: Main Wash, Softener, Bleach

Ratings

Most Efficient 2022

CEE Tier 3
IMEF = 3.1
IWF = 2.9
92 kWh/yr

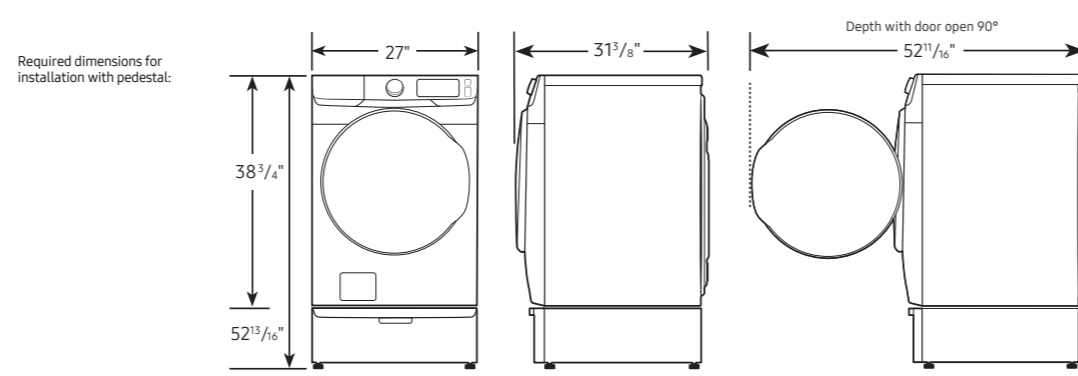
Electrical Requirements
120 V / 60 Hz
15 Amps

¹Requires wireless network, Samsung account and Samsung SmartThings App. The Samsung Smart Things App supports Android OS 4.0 (ICS) or later, which is optimized for Samsung smartphones (Galaxy S and Galaxy Note series). This app also supports iOS 7 or later for iPhone models. Samsung SmartThings App available in App Store and Play Store.
²Designed to fit a 39" installation depth.
³ADA Compliant when using 27" wide riser. (Riser model codes: WE272NW, WE272NC)

SAMSUNG

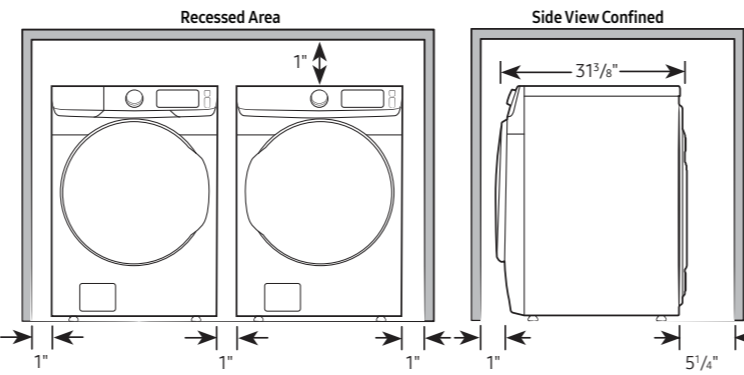
Washer Spec Sheet - page 1

WF45B6300AW | WF45B6300AC | WF45B6300AP
Samsung 4.5 cu. ft. Large Capacity Smart Front Load Washer with Super Speed Wash

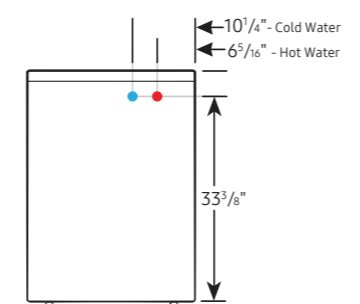


Installation Specifications – Side-by-Side
If the washer and dryer are installed together or the dryer alone, the closet front must have two unobstructed air openings for a combined minimum total area of 72-inch². Your washer alone does not require a specific air opening.

Alcove or closet installation
Minimum clearance for alcove and alcove installations:



Connection Dimensions
Back view of washer



LEGEND:
● Cold Water Connection
● Hot Water Connection

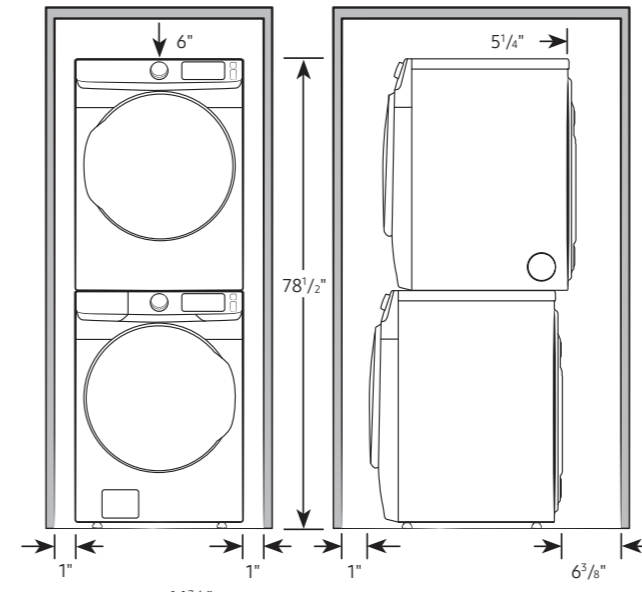
Actual color may vary. Design, specifications, and color availability are subject to change without notice. Non-metric weights and measurements are approximate.
©2023 Samsung Electronics America, Inc., 25 Challenger Road, Ridgefield Park, NJ 07660. Tel: 800-SAMSUNG, samsung.com. Samsung is a registered trademark of Samsung Electronics Co., Ltd.

SAMSUNG

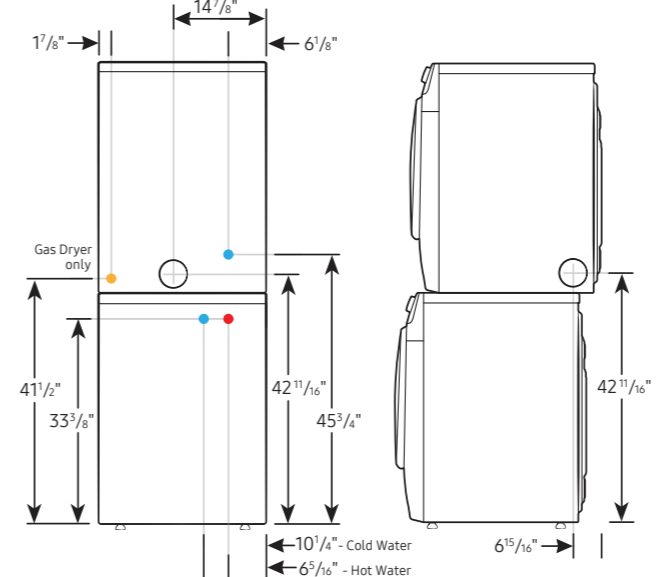
Washer Spec Sheet - page 2

WF45B6300AW | WF45B6300AC | WF45B6300AP
Samsung 4.5 cu. ft. Large Capacity Smart Front Load Washer with Super Speed Wash

Installation Specifications – Stacked Pair
Clearances indicated are for stacked pairs. The closet front must have two unobstructed air openings for a combined minimum total area of 72-inch².



Connection Dimensions
Back and side views of stacked pair



LEGEND:
● Cold Water Connection
● Hot Water Connection
● Gas Connection

Actual color may vary. Design, specifications, and color availability are subject to change without notice. Non-metric weights and measurements are approximate.
©2023 Samsung Electronics America, Inc., 25 Challenger Road, Ridgefield Park, NJ 07660. Tel: 800-SAMSUNG, samsung.com. Samsung is a registered trademark of Samsung Electronics Co., Ltd.

SAMSUNG

Washer Spec Sheet - page 3

Energy Guide

Easy Ads link

<https://dam.gettyimages.com/p/z0c3461/external?o=AND&q=WF45B6300A%20Energy%20Guide>

U.S. Government Federal law prohibits removal of this label before consumer purchase.

ENERGYGUIDE

Clothes Washer Capacity Class: Standard Samsung Models WF45B63**A* Capacity (tub volume): 4.5 cubic feet

Compare ONLY to other labels with yellow numbers.
Labels with yellow numbers are based on the same test procedures.

Estimated Yearly Energy Cost
(when used with an electric water heater)

\$11



\$8 Cost Range of Similar Models \$51

93 kWh
Estimated Yearly Electricity Use

\$9
Estimated Yearly Energy Cost
(when used with a natural gas water heater)

- Your cost will depend on your utility rates and use.
- Cost range based only on standard capacity models.
- Estimated energy cost based on six wash loads a week and a national average electricity cost of 12 cents per kWh and natural gas cost of \$1.09 per therm.

ftc.gov/energy

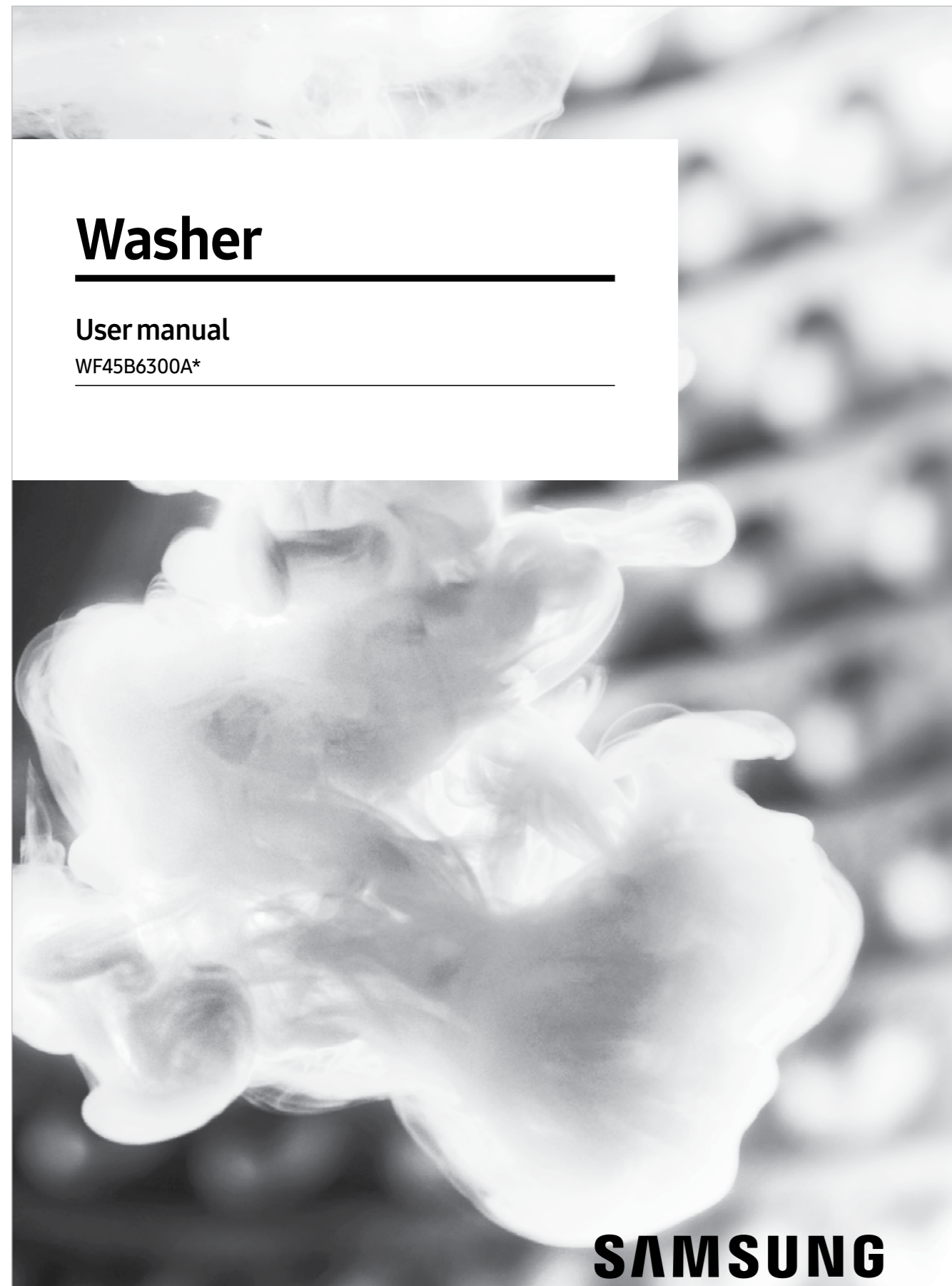
DC68-04096F-00

Energy Guide

User Manual and Warranty

Easy Ads link

<https://dam.gettyimages.com/p/z0c3461/external?o=AND&q=WF45B6300%20User%20Manual>



User Manual

Easy Ads link

<https://dam.gettyimages.com/p/z0c3461/external?o=AND&q=WF45B6300%20Warranty>

LIMITED WARRANTY (U.S.A.) – SAMSUNG WASHER

Models:
WF45B6300AW
WF45B6300AC
WF45B6300AP

LIMITED WARRANTY TO ORIGINAL PURCHASER WITH PROOF OF PURCHASE

This SAMSUNG brand product, as supplied and distributed by SAMSUNG ELECTRONICS AMERICA, INC. (SAMSUNG) and delivered new, in the original carton to the original consumer purchaser, is warranted by SAMSUNG against manufacturing defects in materials or workmanship for the limited warranty period, starting from the date of original purchase, of:

One (1) year Parts and labor
Three (3) years Stainless tub part (Part Only)
Twenty (20) years; Washing DIT (Digital Inverter Motor) motor part (Part Only)

This limited warranty is valid only on products purchased and used in the United States that have been installed, operated, and maintained according to the instructions attached to or furnished with the product. To receive warranty service, the purchaser must contact SAMSUNG at the address or phone number provided below for problem determination and service procedures. Warranty service can only be performed by a SAMSUNG authorized service center. The original dated bill of sale must be presented upon request as proof of purchase to SAMSUNG or SAMSUNG's authorized service center to receive warranty service.

SAMSUNG will provide in-home service within the contiguous United States during the warranty period at no charge, subject to availability of SAMSUNG authorized servicers within the customer's geographic area. If in-home service is not available, SAMSUNG may elect, at its option, to provide transportation of the product to and from an authorized service center. If the product is located in an area where service by a SAMSUNG authorized servicer is not available, you may be responsible for a trip charge or require to bring the product to a SAMSUNG authorized service center for service.

To receive in-home service, product must be unobstructed and accessible to the service agent.

During the applicable warranty period, a product will be repaired, replaced, or the purchase price refunded, at the sole option of SAMSUNG. SAMSUNG may use new or reconditioned parts in repairing a product, or replace the product with a new or reconditioned product. Replacement parts and products are warranted for the remaining portion of the original product's warranty or ninety (90) days, whichever is longer. All replaced parts and products are the property of SAMSUNG and you must return them to SAMSUNG.

This limited warranty covers manufacturing defects in materials or workmanship encountered in normal household, noncommercial use of this product and shall not cover the following: damage that occurs in shipment, delivery, installation, and uses for which this product was not intended; damage caused by unauthorized modification or alteration of the product; product where the original factory serial numbers have been removed, defaced, changed in any way, or cannot be readily determined; cosmetic

Warranty

Feature Icons

WF45B6300AW

WF45B6300AC

WF45B6300AP

**4.5 cu. ft. Large Capacity Smart Front Load Washer
with Super Speed Wash**

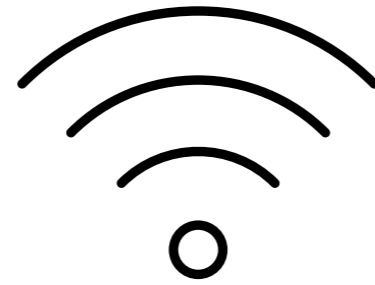
Feature Icons

Easy Ads link

<https://dam.gettyimages.com/p/z0c3461/external?o=AND&q=WF45B6300%20Icons>



Super Speed Wash



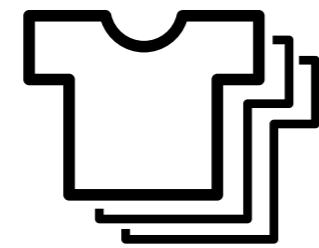
Wi-Fi Connectivity



Steam



Energy Star Most Efficient



Large 4.5 cu. ft. Capacity



Antimicrobial Technology



Scratch-Resistant
Tempered Glass Door



20-Year Motor Warranty*

*20-year warranty limited to the Digital Inverter Motor of washers purchased on 7/1/2022 or later. Purchase receipt indicating purchase date required for a claim. Additional restrictions and limitations apply, see warranty for details.

Product Overview

DVE45B6300W / DVG45B6300W

DVE45B6300C / DVG45B6300C

DVE45B6300P / DVG45B6300P

7.5 cu. ft. Smart Electric Dryer with Steam Sanitize+

7.5 cu. ft. Smart Gas Dryer with Steam Sanitize+

Product Overview

Product Titles

DVE45B6300W, DVE45B6300C, DVE45B6300P - 7.5 cu. ft. Smart Electric Dryer with Steam Sanitize+
DVG45B6300W, DVG45B6300C, DVG45B6300P - 7.5 cu. ft. Smart Gas Dryer with Steam Sanitize+

Product Short Description (208 Characters)

Samsung's new 7.5 cu. ft. dryer allows you to remotely start or stop your cycle and schedule laundry on your time, and more, right from your smartphone.* Steam Sanitize+ eliminates 99.9% of germs and bacteria.**

Product Long Description (317 Characters)

Samsung's new 7.5 cu. ft. dryer allows you to remotely start or stop your cycle, schedule laundry on your time, receive end of cycle alerts, and more, right from your smartphone.* Steam Sanitize+ eliminates 99.9% of germs and bacteria,** while Multi-Steam technology relaxes and smooths away wrinkles from everyday wear.

*Requires wireless network, Samsung account and SmartThings App. The Samsung SmartThings App supports Android OS 4.0 (ICS) or later which is optimized for Samsung smartphones (Galaxy S and Galaxy Note series). This app also supports iOS 7 or later for iPhone models. SmartThings App available in App Store and Play Store. Only monitoring enabled on Gas Dryers for safety reasons.

**Based on internal testing and independently verified by Intertek.

Available Colors



White

Electric Dryer Model Number: DVE45B6300W
Electric Dryer UPC: 887276628035
Gas Dryer Model Number: DVG45B6300W
Gas Dryer UPC: 887276628073



Champagne

Electric Dryer Model Number: DVE45B6300C
Electric Dryer UPC: 887276628004
Gas Dryer Model Number: DVG45B6300C
Gas Dryer UPC: 887276628042



Platinum

Electric Dryer Model Number: DVE45B6300P
Electric Dryer UPC: 887276628011
Gas Dryer Model Number: DVG45B6300P
Gas Dryer UPC: 887276628059



Carousel Image Order

DVE45B6300W / DVG45B6300W

Easy Ads links

Retail.com: <https://dam.gettyimages.com/p/z0c3461/external?o=AND&q=DVE45B6300W%20Carousel%20Images%20RCOM>
Samsung.com: <https://dam.gettyimages.com/p/z0c3461/external?o=AND&q=DVE45B6300W%20Carousel%20Images%20SCOM>
360 Spin: DVE45B6300W <https://dam.gettyimages.com/p/z0c3461/external?o=AND&q=DVE45B6300W%20360%20Spins>
DVG45B6300W <https://dam.gettyimages.com/p/z0c3461/external?o=AND&q=DVG45B6300W%20360%20Spins>

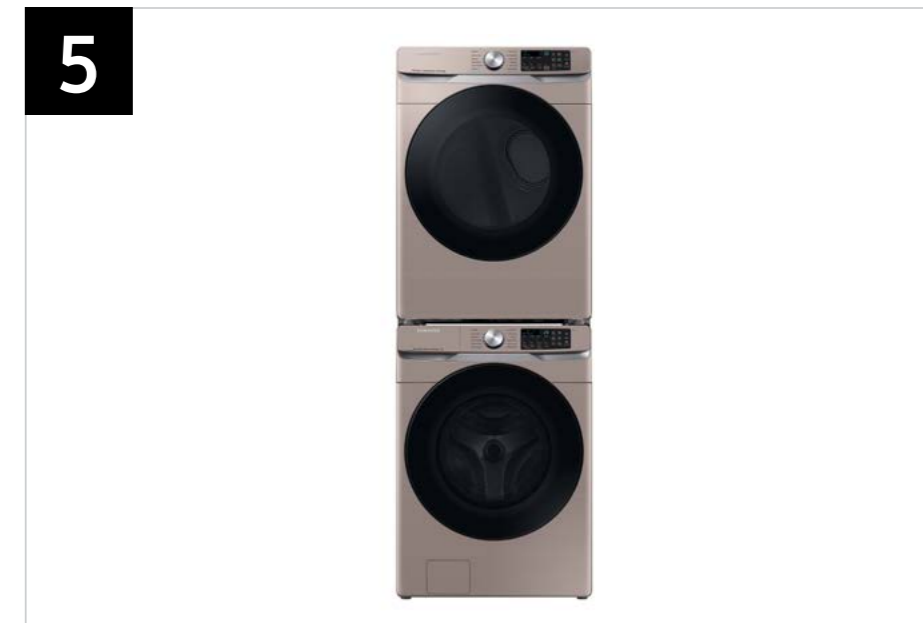
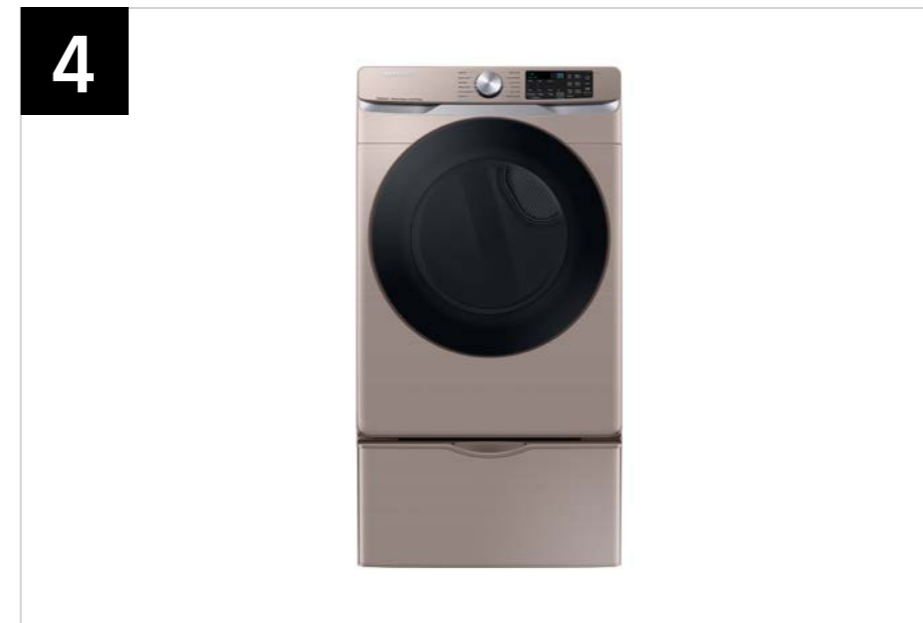


Carousel Image Order

DVE45B6300C / DVG45B6300C

Easy Ads links

Retail.com: <https://dam.gettyimages.com/p/z0c3461/external?o=AND&q=DVE45B6300C%20Carousel%20Images%20RCOM>
Samsung.com: <https://dam.gettyimages.com/p/z0c3461/external?o=AND&q=DVE45B6300C%20Carousel%20Images%20SCOM>
360 Spin: DVE45B6300C <https://dam.gettyimages.com/p/z0c3461/external?o=AND&q=DVE45B6300C%20360%20Spins>
DVG45B6300C <https://dam.gettyimages.com/p/z0c3461/external?o=AND&q=DVG45B6300C%20360%20Spins>



Carousel Image Order

DVE45B6300P / DVG45B6300P

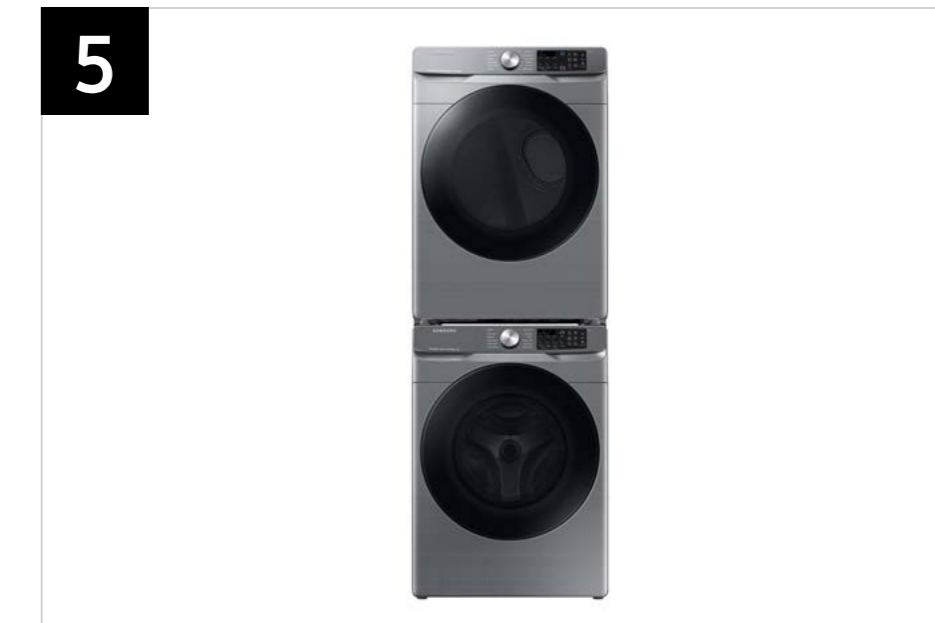
Easy Ads links

Retail.com: <https://dam.gettyimages.com/p/z0c3461/external?o=AND&q=DVE45B6300P%20Carousel%20Images%20RCOM>

Samsung.com: <https://dam.gettyimages.com/p/z0c3461/external?o=AND&q=DVE45B6300P%20Carousel%20Images%20SCOM>

360 Spin: DVE45B6300P <https://dam.gettyimages.com/p/z0c3461/external?o=AND&q=DVE45B6300P%20360%20Spins>

DVG45B6300P <https://dam.gettyimages.com/p/z0c3461/external?o=AND&q=DVG45B6300P%20360%20Spins>



Product Messaging

DVE45B6300W / DVG45B6300W

DVE45B6300C / DVG45B6300C

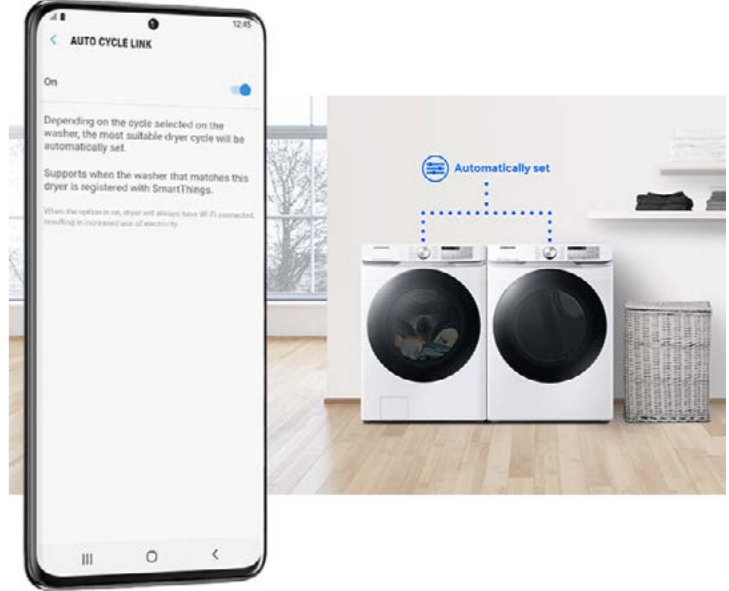


DVE45B6300P / DVG45B6300P

7.5 cu. ft. Smart Electric Dryer with Steam Sanitize+

7.5 cu. ft. Smart Gas Dryer with Steam Sanitize+




**Features and Benefits:
DVE(G)45B6300***

White Dryer Easy Ads link: <https://dam.gettyimages.com/p/z0c3461/external?o=AND&q=DVE45B6300W%20Below%20the%20Fold>
 Champagne Dryer Easy Ads link: <https://dam.gettyimages.com/p/z0c3461/external?o=AND&q=DVE45B6300C%20Below%20the%20Fold>
 Platinum Dryer Easy Ads link: <https://dam.gettyimages.com/p/z0c3461/external?o=AND&q=DVE45B6300P%20Below%20the%20Fold>

Headline	Feature Name	Long Body Copy	Short Body Copy	Associated Image
<p>Control in the palm of your hand</p>	<p>Wi-Fi Connectivity</p>	<p>Wi-Fi connected so you can receive end of cycle alerts, remotely start or stop your drying, schedule cycles on your time, and more, right from your smartphone with the SmartThings App.*</p> <p><small>*Requires wireless network, Samsung account and SmartThings App. The Samsung SmartThings App supports Android OS 4.0 (ICS) or later which is optimized for Samsung smartphones (Galaxy S and Galaxy Note series). This app also supports iOS 7 or later for iPhone models. SmartThings App available in App Store and Play Store. Only monitoring enabled on Gas Dryers for safety reasons.</small></p>	<p>Receive end of cycle alerts, remotely start, schedule, and more, from your smartphone with the SmartThings App.*</p> <p><small>*Requires wireless network, Samsung account and SmartThings App. The Samsung SmartThings App supports Android OS 4.0 (ICS) or later which is optimized for Samsung smartphones (Galaxy S and Galaxy Note series). This app also supports iOS 7 or later for iPhone models. SmartThings App available in App Store and Play Store. Only monitoring enabled on Gas Dryers for safety reasons.</small></p>	
<p>Freshen up clothes</p>	<p>Steam Sanitize+</p>	<p>The Steam Sanitize+ cycle removes 99.9% of germs and bacteria, over 95% of pollen, and kills 100% of dust mites.* Multi-Steam Technology steams away wrinkles, odors, and static.</p> <p><small>*Based on internal testing and independently verified by Intertek.</small></p>	<p>Steams away 99.9% of germs and bacteria,* while also reducing wrinkles and odors.</p> <p><small>*Based on internal testing and independently verified by Intertek.</small></p>	
<p>Worry-free drying</p>	<p>Sensor Dry</p>	<p>Automatically optimizes the time and temperature of your drying cycle to protect your clothes from heat damage, while avoiding excess energy use.</p>	<p>Helps prevent overdrying for optimal fabric care.</p>	




**Features and Benefits:
DVE(G)45B6300* (Continued)**

White Dryer Easy Ads link: <https://dam.gettyimages.com/p/z0c3461/external?o=AND&q=DVE45B6300W%20Below%20the%20Fold>
 Champagne Dryer Easy Ads link: <https://dam.gettyimages.com/p/z0c3461/external?o=AND&q=DVE45B6300C%20Below%20the%20Fold>
 Platinum Dryer Easy Ads link: <https://dam.gettyimages.com/p/z0c3461/external?o=AND&q=DVE45B6300P%20Below%20the%20Fold>

Headline	Feature Name	Long Body Copy	Short Body Copy	Associated Image
<p>Premium design for an elevated look</p>	<p>Scratch-Resistant Tempered Glass Door</p>	<p>Our sleek, new flat-panel door will elevate any laundry space and with scratch-resistant tempered glass, it combines an ultra-premium design with a durable finish.</p>	<p>Sleek and scratch-resistant, our new flat-panel door will elevate any laundry space.</p>	
<p>N/A</p>	<p>Interior Drum Light</p>	<p>Put an end to stray socks or smaller laundry items that are hard to spot. An interior drum light brightly illuminates your laundry and the rest of the interior, so you can quickly and safely check your dryer's contents.</p>	<p>Put an end to stray socks or small items that are hard to spot.</p>	
<p>Flexible opening</p>	<p>Reversible Door</p>	<p>Choose the direction your dryer door opens to better suit your laundry room layout.</p>	<p>Choose the direction your dryer door opens.</p>	


**Features and Benefits:
DVE(G)45B6300* (Continued)**

White Dryer Easy Ads link: <https://dam.gettyimages.com/p/z0c3461/external?o=AND&q=DVE45B6300W%20Below%20the%20Fold>
 Champagne Dryer Easy Ads link: <https://dam.gettyimages.com/p/z0c3461/external?o=AND&q=DVE45B6300C%20Below%20the%20Fold>
 Platinum Dryer Easy Ads link: <https://dam.gettyimages.com/p/z0c3461/external?o=AND&q=DVE45B6300P%20Below%20the%20Fold>

Headline	Feature Name	Long Body Copy	Short Body Copy	Associated Image
<p>Fit more for fewer loads</p>	<p>Large 7.5 cu. ft. Capacity</p>	<p>Fewer loads, less time in the laundry room, and more time doing the things you love.</p>	<p>Fewer loads, less time in the laundry room.</p>	
<p>Stop the fluff</p>	<p>Lint Filter Indicator</p>	<p>Stop worrying about lint or fluff building up and blocking your dryer’s air intake. The Filter Check Indicator light on the control panel will provide you with a helpful reminder when it is time to clean the filter, so your dryer maintains optimal performance.</p>	<p>The Filter Check Indicator light lets you know when it is time to clean the filter.</p>	
<p>Easier use, for everyone</p>	<p>ADA Compliant</p>	<p>With use of a Samsung Riser,* your washer or dryer is compliant with the Americans with Disabilities Act (ADA), making loading and unloading much easier.</p> <p><small>*ADA Compliant when using 27" wide riser. (Riser model codes: WE272NV, WE272NW, WE272NC)</small></p>	<p>Designed for easy use for everyone.*</p> <p><small>*ADA Compliant when using 27" wide riser. (Riser model codes: WE272NV, WE272NW, WE272NC)</small></p>	

**Features and Benefits:
DVE(G)45B6300* (Continued)**

White Dryer Easy Ads link: <https://dam.gettyimages.com/p/z0c3461/external?o=AND&q=DVE45B6300W%20Below%20the%20Fold>
 Champagne Dryer Easy Ads link: <https://dam.gettyimages.com/p/z0c3461/external?o=AND&q=DVE45B6300C%20Below%20the%20Fold>
 Platinum Dryer Easy Ads link: <https://dam.gettyimages.com/p/z0c3461/external?o=AND&q=DVE45B6300P%20Below%20the%20Fold>

Headline	Feature Name	Long Body Copy	Short Body Copy	Associated Image
Perfect pair	Matching Accessories	Round out your laundry setup with a matching washer, pedestal, riser and more.	N/A	

Product Specs

DVE45B6300W / DVG45B6300W

DVE45B6300C / DVG45B6300C

DVE45B6300P / DVG45B6300P

7.5 cu. ft. Smart Electric Dryer with Steam Sanitize+

7.5 cu. ft. Smart Gas Dryer with Steam Sanitize+

Related Products and Accessories

Washer Series	Pedestal	Riser	Stacking Kit	Gas to Propane Converter Kit	Side Vent Kit
WF45B6300AW WF45B6300AC WF45B6300AP	WE402NW WE402NC WE402NP	WE272NW WE272NC	SKK-8K	LPKIT-4	DV-2A

Spec Sheet

Easy Ads link

<https://dam.gettyimages.com/p/z0c3461/external?o=AND&q=DVE45B6300%20Spec%20Sheet>

DVE45B6300W | DVE45B6300C | DVE45B6300P
Samsung 7.5 cu. ft. Smart Electric Dryer with Steam Sanitize+



Available Colors

- White
DVE45B6300W
- Champagne
DVE45B6300C
- Platinum
DVE45B6300P

Features

- Wi-Fi Connectivity¹
- Steam Sanitize+
- Sensor Dry
- Scratch-Resistant Tempered Glass Door
- Interior Drum Light
- Reversible Door
- Large 7.5 cu. ft. Capacity
- Lint Filter Indicator
- ADA Compliant²
- Accessibility (AUI, Braille)
- 21 Total Drying Cycles
- 10 Options
- 5 Temperature Settings
- 4-Way Venting (Back, Bottom, Left, Right)

Specifications

21 Total Drying Cycles: Refresh, Steam Sanitize+, Normal, Heavy Duty, Permanent Press, Activewear, Bedding, Delicates, Time Dry, Air Fluff, Quick Dry, Downloaded, Wrinkle Away, Eco Normal, Towels, Wool, Sanitize, Shirts, Denim, Low Temp, Rack Dry

10 Options: Damp Alert, Wrinkle Prevent, Smart Control, Adjust Time (Up), Adjust Time (Down), Eco Dry, Sound, Drum Light, Smart Care, Child Lock

5 Temperature Settings: High, Medium High, Medium, Medium Low, Low

5 Dry Levels: More Dry, Normal-More Dry, Normal Dry, Normal-Less Dry, Less Dry

Warranty
One (1) Year Parts and Labor

Product Dimensions & Weight (WxHxD)
Dimensions: 27" x 38 1/4" x 31 1/8"
Weight: 116.8 lbs

Shipping Dimensions & Weight (WxHxD)
Dimensions: 29 1/8" x 42 1/16" x 33 1/2"
Weight: 123.5 lbs

Electric Dryer	Model #	UPC Code	Optional Accessories	Model #	UPC Code
White	DVE45B6300W	887276628035	White Pedestal	WE402NW	887276310152
Champagne	DVE45B6300C	887276628004	Champagne Pedestal	WE402NC	887276310121
Platinum	DVE45B6300P	887276628011	Platinum Pedestal	WE402NP	887276310138
White Riser	WE272NW	887276197647	White Riser	WE272NW	887276197647
Champagne Riser	WE272NC	887276393940	Champagne Riser	WE272NC	887276393940
Stacking Kit	SKK-8K	887276344034	Stacking Kit	SKK-8K	887276344034
Vent Kit	DV-2A	887276146416	Vent Kit	DV-2A	887276146416

Matching Washer

White	WF45B6300AW	887276627434
Champagne	WF45B6300AC	887276627403
Platinum	WF45B6300AP	887276627410

Convenience

- Child Lock
- Filter Check Indicator

Ratings
644 kWh/yr

Electrical Requirements
240 V / 60 Hz
30 Amps

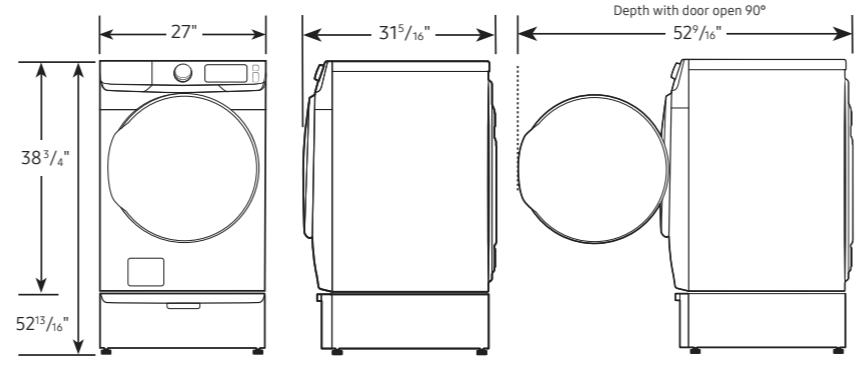
¹Requires wireless network, Samsung account and SmartThings App. The Samsung SmartThings App supports Android OS 4.0 (ICS) or later which is optimized for Samsung smartphones (Galaxy S and Galaxy Note series). This app also supports iOS 7 or later for iPhone models. SmartThings App available in App Store and Play Store. Only monitoring enabled on Gas Dryers for safety reasons.
²ADA Compliant when using 27" wide riser. (Riser model codes: WE272NW, WE272NC)

SAMSUNG

Electric Dryer Spec Sheet - page 1

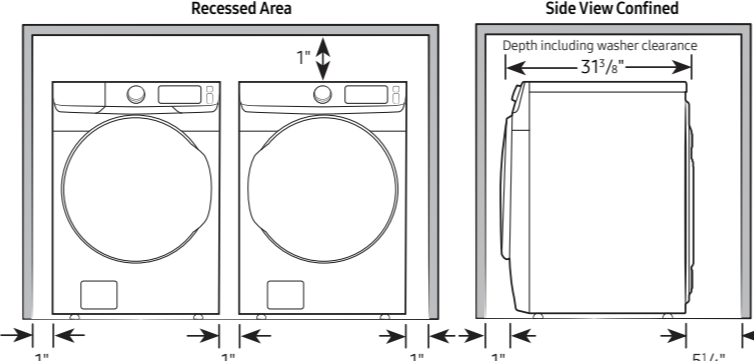
DVE45B6300W | DVE45B6300C | DVE45B6300P
Samsung 7.5 cu. ft. Smart Electric Dryer with Steam Sanitize+

Dimensions
Required dimensions for installation with pedestal:

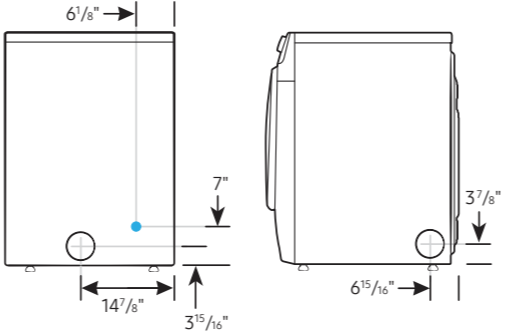


Installation Specifications – Side-by-Side
If the washer and dryer are installed together or the dryer alone, the closet front must have two unobstructed air openings for a combined minimum total area of 72-inch². Your washer alone does not require a specific air opening.

Alcove or closet installation
Minimum clearance for closet and alcove installations:



Connection Dimensions
Back and side view of dryer



LEGEND:
● Cold Water Connection
● Hot Water Connection

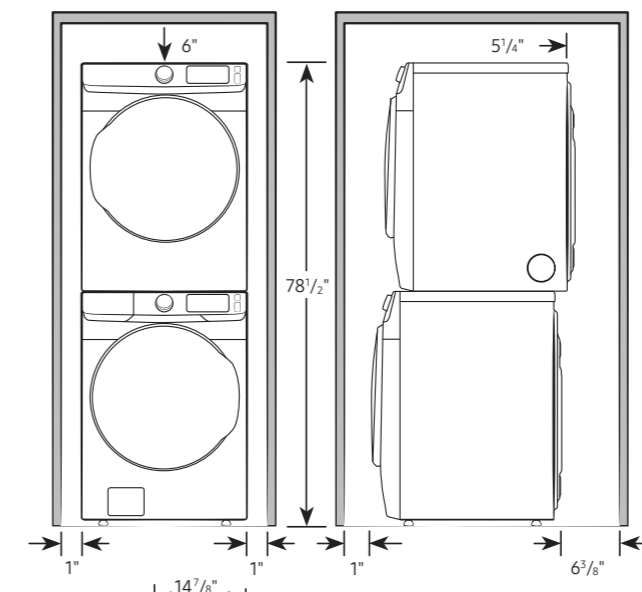
Actual color may vary. Design, specifications, and color availability are subject to change without notice. Non-metric weights and measurements are approximate.
©2023 Samsung Electronics America, Inc., 85 Challenger Road, Ridgefield Park, NJ 07663. Tel: 800-SAMSUNG, samsung.com. Samsung is a registered trademark of Samsung Electronics Co., Ltd.

SAMSUNG

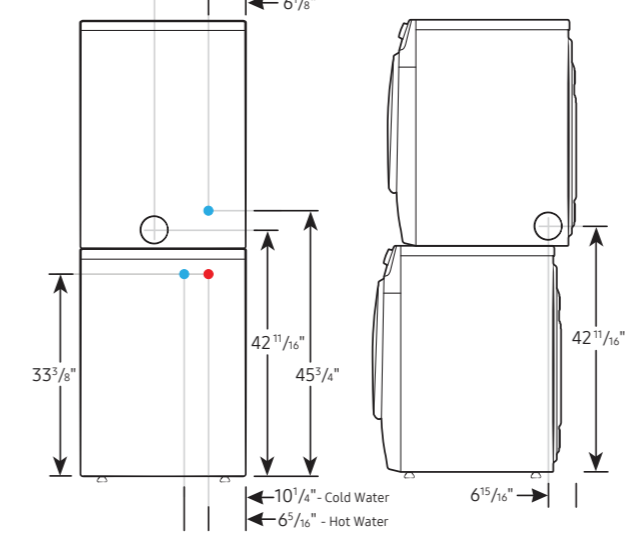
Electric Dryer Spec Sheet - page 2

DVE45B6300W | DVE45B6300C | DVE45B6300P
Samsung 7.5 cu. ft. Smart Electric Dryer with Steam Sanitize+

Installation Specifications – Stacked Pair
Clearances indicated are for stacked pairs. The closet front must have two unobstructed air openings for a combined minimum total area of 72-inch².



Connection Dimensions
Back and side views of stacked pair



LEGEND:
● Cold Water Connection
● Hot Water Connection

Actual color may vary. Design, specifications, and color availability are subject to change without notice. Non-metric weights and measurements are approximate.
©2023 Samsung Electronics America, Inc., 85 Challenger Road, Ridgefield Park, NJ 07663. Tel: 800-SAMSUNG, samsung.com. Samsung is a registered trademark of Samsung Electronics Co., Ltd.

SAMSUNG

Electric Dryer Spec Sheet - page 3

Spec Sheet

Easy Ads link

<https://dam.gettyimages.com/p/z0c3461/external?o=AND&q=DVG45B6300%20Spec%20Sheet>

DVG45B6300W | DVG45B6300C | DVG45B6300P
Samsung 7.5 cu. ft. Smart Gas Dryer with Steam Sanitize+



Available Colors

- White DVG45B6300W
- Champagne DVG45B6300C
- Platinum DVG45B6300P

Features

- Wi-Fi Connectivity¹
- Steam Sanitize+
- Sensor Dry
- Scratch-Resistant Tempered Glass Door
- Interior Drum Light
- Reversible Door
- Large 7.5 cu. ft. Capacity
- Lint Filter Indicator
- ADA Compliant²
- Accessibility (AUI, Braille)
- 21 Total Drying Cycles
- 10 Options
- 5 Temperature Settings
- 3-Way Venting (Back, Bottom, Left)

Specifications

21 Total Drying Cycles: Refresh, Steam Sanitize+, Normal, Heavy Duty, Permanent Press, Activewear, Bedding, Delicates, Time Dry, Air Fluff, Quick Dry, Downloaded, Wrinkle Away, Eco Normal, Towels, Wool, Sanitize, Shirts, Denim, Low Temp, Rack Dry

10 Options: Damp Alert, Wrinkle Prevent, Smart Control, Adjust Time (Up), Adjust Time (Down), Eco Dry, Sound, Drum Light, Smart Care, Child Lock

5 Temperature Settings: High, Medium High, Medium, Medium Low, Low

5 Dry Levels: More Dry, Normal-More Dry, Normal Dry, Normal-Less Dry, Less Dry

Warranty
 One (1) Year Parts and Labor

Product Dimensions & Weight (WxHxD)
 Dimensions: 27" x 38 3/4" x 31 1/8"
 Weight: 116.8 lbs

Shipping Dimensions & Weight (WxHxD)
 Dimensions: 29 1/8" x 42 1/16" x 33 1/2"
 Weight: 123.5 lbs

Gas Dryer	Model #	UPC Code	Optional Accessories	Model #	UPC Code
White	DVG45B6300W	887276628073	White Pedestal	WE402NW	887276310152
Champagne	DVG45B6300C	887276628042	Champagne Pedestal	WE402NC	887276310121
Platinum	DVG45B6300P	887276628059	Platinum Pedestal	WE402NP	887276310138
			White Riser	WE272NW	887276197647
			Champagne Riser	WE272NC	887276393940
			Stacking Kit	SKV-8K	887276344034
			Vent Kit	DV-2A	887276146416
			Gas to Propane Converter Kit	LPKIT-4	887276352787

Matching Washer

White	WF45B6300AW	887276627434
Champagne	WF45B6300AC	887276627403
Platinum	WF45B6300AP	887276627410

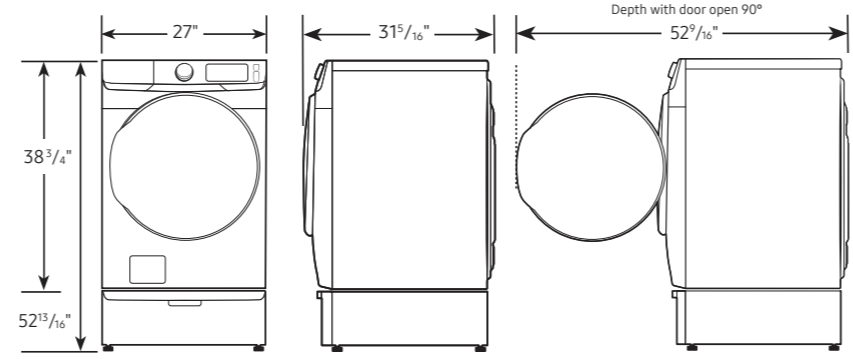
¹Requires wireless network, Samsung account and SmartThings App. The Samsung SmartThings App supports Android OS 4.0 (ICS) or later which is optimized for Samsung smartphones (Galaxy S and Galaxy Note series). This app also supports iOS 7 or later for iPhone models. SmartThings App available in App Store and Play Store. Only monitoring enabled on Gas Dryers for safety reasons. ²ADA Compliant when using 27" wide riser. (Riser model codes: WE272NW, WE272NC)

SAMSUNG

Gas Dryer Spec Sheet - page 1

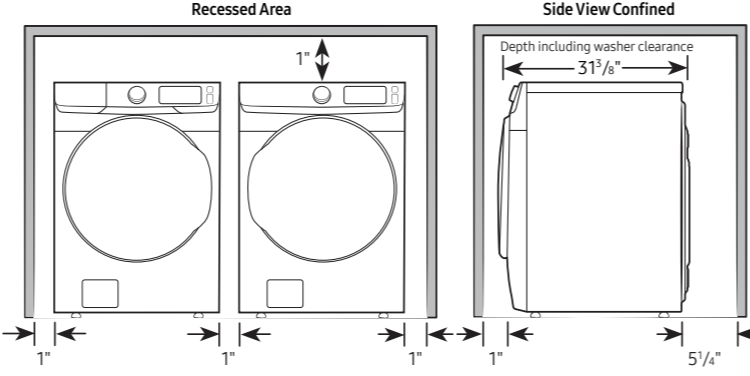
DVG45B6300W | DVG45B6300C | DVG45B6300P
Samsung 7.5 cu. ft. Smart Gas Dryer with Steam Sanitize+

Dimensions
 Required dimensions for installation with pedestal:

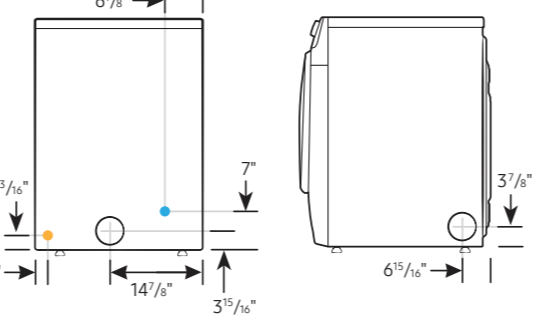


Installation Specifications – Side-by-Side
 If the washer and dryer are installed together or the dryer alone, the closet front must have two unobstructed air openings for a combined minimum total area of 72-inch². Your washer alone does not require a specific air opening.

Alcove or closet installation
 Minimum clearance for closet and alcove installations:



Connection Dimensions
 Back and side view of dryer



LEGEND:
● Cold Water Connection
● Hot Water Connection
● Gas Connection

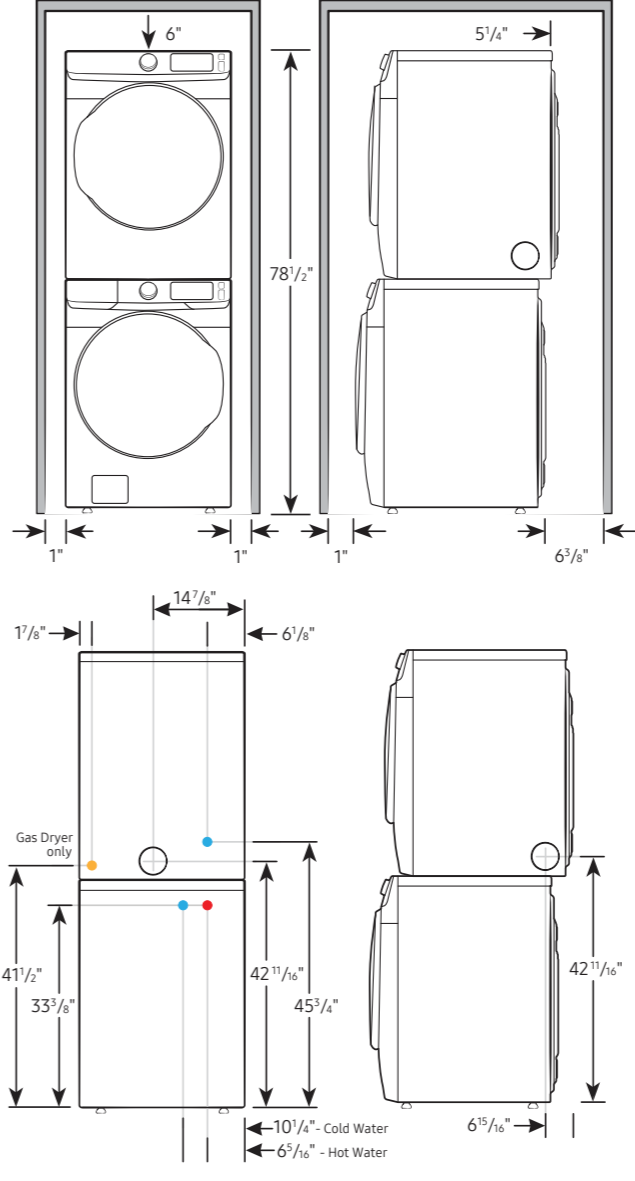
Actual color may vary. Design, specifications, and color availability are subject to change without notice. Non-metric weights and measurements are approximate.
 ©2023 Samsung Electronics America, Inc.
 85 Challenger Road, Bldg#047 Park, NJ 07660.
 Tel: 800-SAMSUNG, samsung.com. Samsung is a registered trademark of Samsung Electronics Co., Ltd.

SAMSUNG

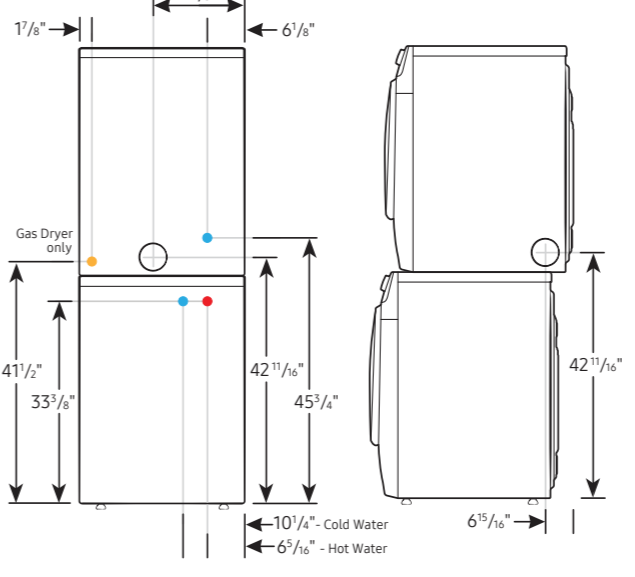
Gas Dryer Spec Sheet - page 2

DVG45B6300W | DVG45B6300C | DVG45B6300P
Samsung 7.5 cu. ft. Smart Gas Dryer with Steam Sanitize+

Installation Specifications – Stacked Pair
 Clearances indicated are for stacked pairs. The closet front must have two unobstructed air openings for a combined minimum total area of 72-inch².



Connection Dimensions
 Back and side views of stacked pair



LEGEND:
● Cold Water Connection
● Hot Water Connection
● Gas Connection

Actual color may vary. Design, specifications, and color availability are subject to change without notice. Non-metric weights and measurements are approximate.
 ©2023 Samsung Electronics America, Inc.
 85 Challenger Road, Bldg#047 Park, NJ 07660.
 Tel: 800-SAMSUNG, samsung.com. Samsung is a registered trademark of Samsung Electronics Co., Ltd.

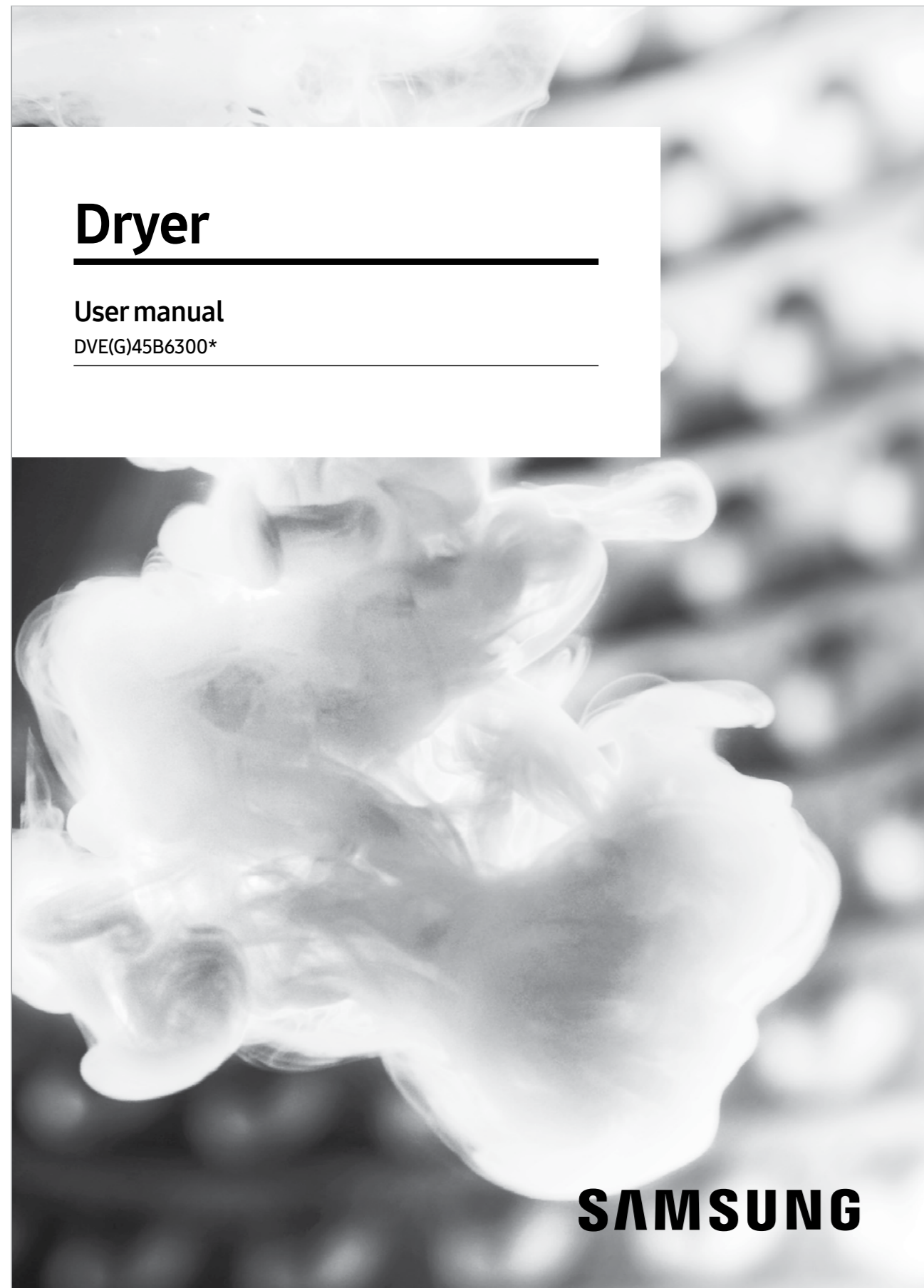
SAMSUNG

Gas Dryer Spec Sheet - page 3

User Manual and Warranty

Easy Ads link

<https://dam.gettyimages.com/p/z0c3461/external?o=AND&q=DVE45B6300%20User%20Manual>



User Manual - Electric and Gas Dryers

Easy Ads link

<https://dam.gettyimages.com/p/z0c3461/external?o=AND&q=DVE45B6300%20Warranty>

Warranty (U.S.A) – Samsung Dryer

Models:

DVE(G)45B6300W
DVE(G)45B6300C
DVE(G)45B6300P

LIMITED WARRANTY TO ORIGINAL PURCHASER WITH PROOF OF PURCHASE

This SAMSUNG brand product, as supplied and distributed by SAMSUNG ELECTRONICS AMERICA, INC. (SAMSUNG) and delivered new, in the original carton to the original consumer purchaser, is warranted by SAMSUNG against manufacturing defects in materials or workmanship for the limited warranty period, starting from the date of original purchase, of:

One (1) Year All Parts and Labor

This limited warranty is valid only on products purchased and used in the United States that have been installed, operated, and maintained according to the instructions attached to or furnished with the product. To receive warranty service, the purchaser must contact SAMSUNG at the address or phone number provided below for problem determination and service procedures. Warranty service can only be performed by a SAMSUNG authorized service center. The original dated bill of sale must be presented upon request as proof of purchase to SAMSUNG or SAMSUNG's authorized service center to receive warranty service.

SAMSUNG will provide in-home service within the contiguous United States during the warranty period at no charge, subject to availability of SAMSUNG authorized servicers within the customer's geographic area. If in-home service is not available, SAMSUNG may elect, at its option, to provide transportation of the product to and from an authorized service center. If the product is located in an area where service by a SAMSUNG authorized servicer is not available, you may be responsible for a trip charge or required to bring the product to a SAMSUNG authorized service center for service.

To receive in-home service, product must be unobstructed and accessible to the service agent.

During the applicable warranty period, a product will be repaired, replaced, or the purchase price refunded, at the sole option of SAMSUNG. SAMSUNG may use new or reconditioned parts in repairing a product, or replace the product with a new or reconditioned product. Replacement parts and products are warranted for the remaining portion of the original product's warranty or ninety (90) days, whichever is longer. All replaced parts and products are the property of SAMSUNG and you must return them to SAMSUNG.

Warranty - Electric and Gas Dryers

Feature Icons

DVE45B6300W / DVG45B6300W

DVE45B6300C / DVG45B6300C

DVE45B6300P / DVG45B6300P

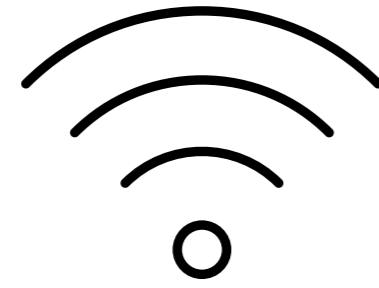
7.5 cu. ft. Smart Electric Dryer with Steam Sanitize+

7.5 cu. ft. Smart Gas Dryer with Steam Sanitize+

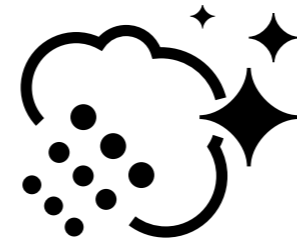
Feature Icons

Easy Ads link

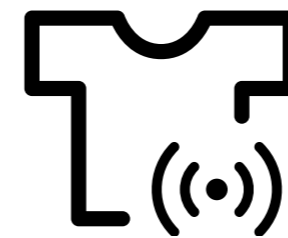
<https://dam.gettyimages.com/p/z0c3461/external?o=AND&q=DVE45B6300%20Icons>



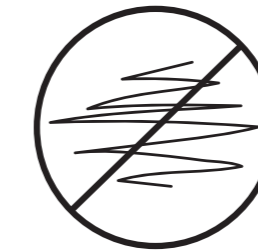
Wi-Fi Connectivity



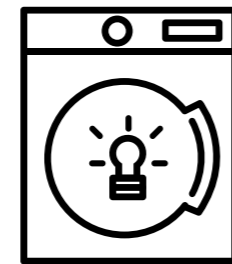
Steam Sanitize+



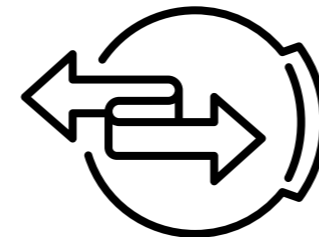
Sensor Dry



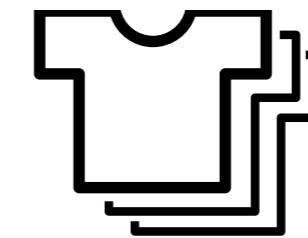
Scratch-Resistant
Tempered Glass Door



Interior Drum Light



Reversible Doors



Large 7.5 cu. ft.
Capacity

SAMSUNG