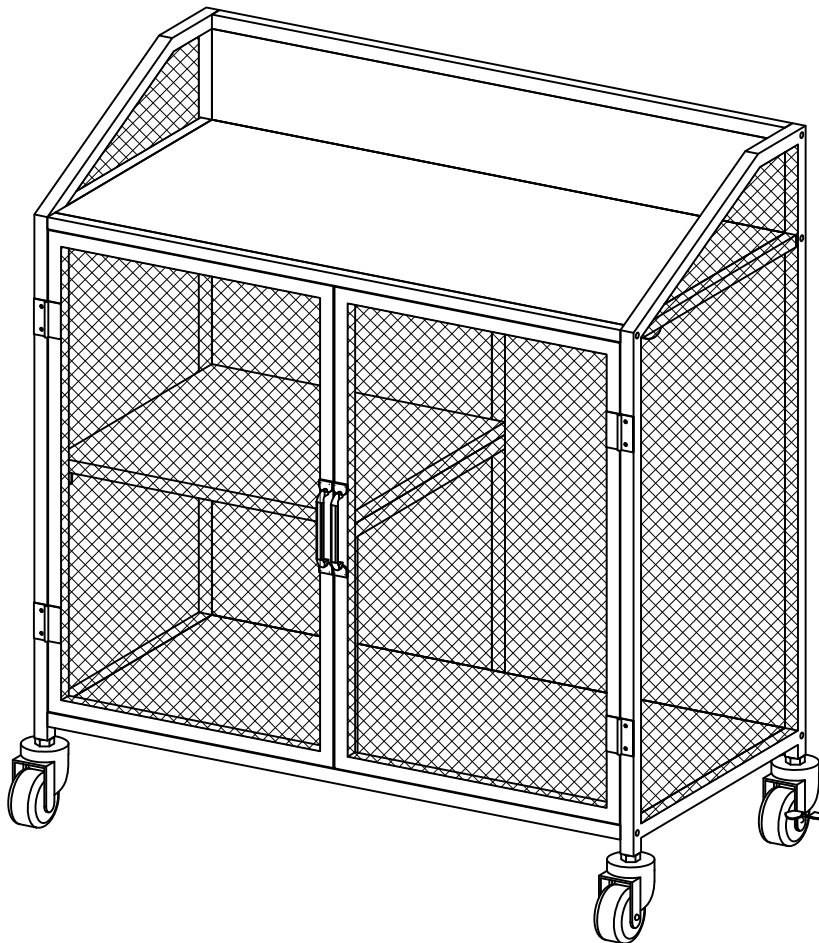




Walker<sup>®</sup>  
Edison

Item # : BU33SOIBC  
Assembly Instructions

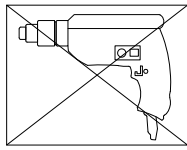


*Please visit our website for the most current instructions, assembly tips, report damage, or request parts. [www.walkeredison.com](http://www.walkeredison.com)*

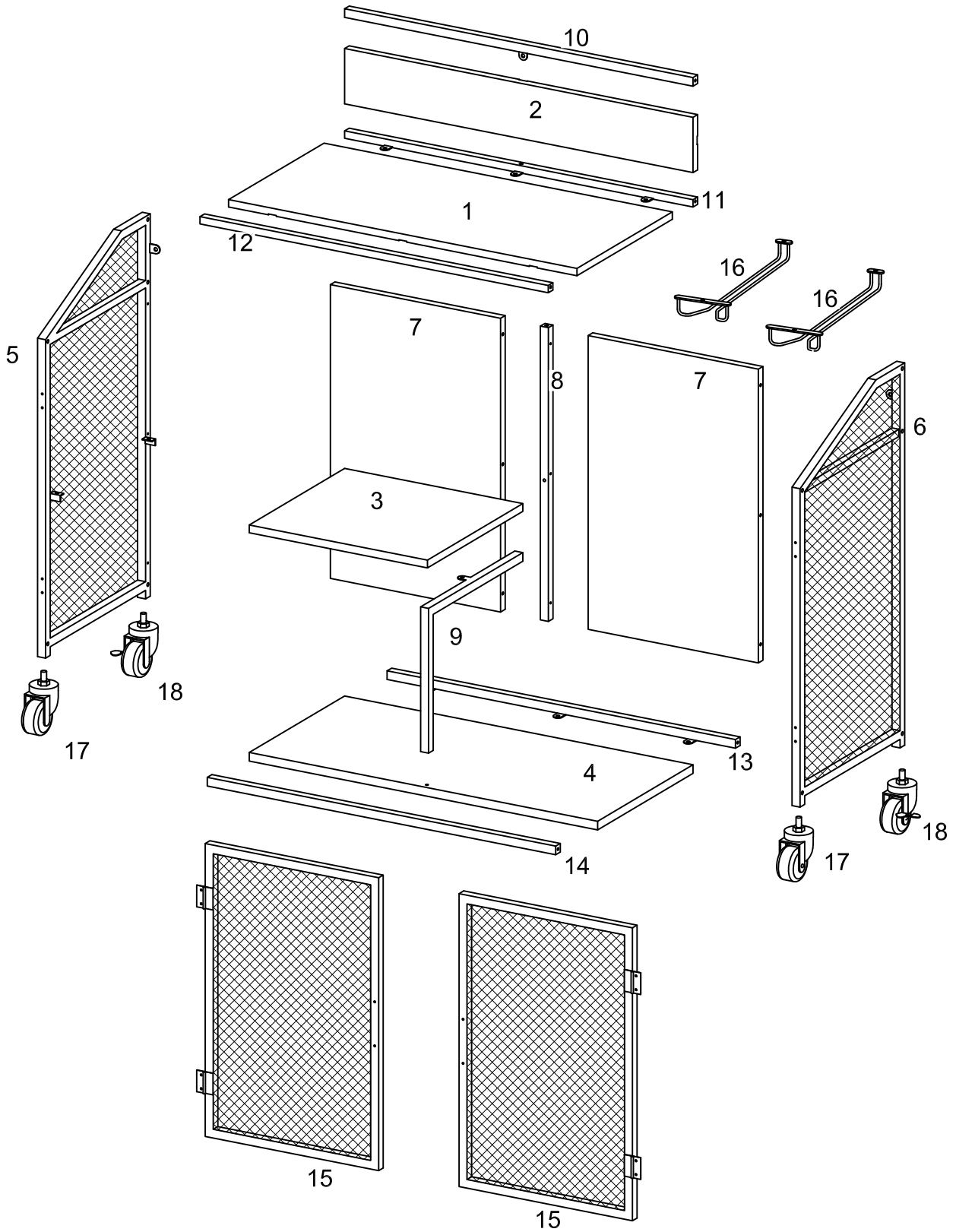
Revised 04/20/2018

# General Assembly Guidelines

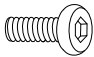
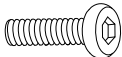

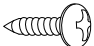
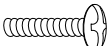


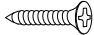
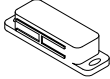

- I. Ensure that all parts and hardware are available before beginning assembly.
- II. Follow each step carefully to ensure the proper assembly of this product.
- III. Two people are recommended for ease in the assembly of this product.
- IV. The main type of hardware used to assemble this product is: bolts.
- V. Power tools should not be used to assemble this product .

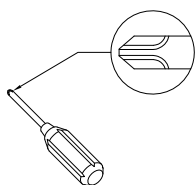


# Parts List



# Hardware List

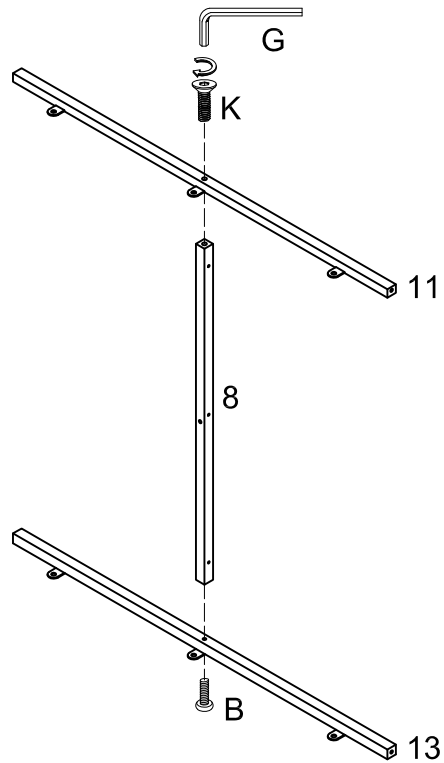
A		Ø1/4x12mm	Bolt	17 pcs
B		Ø1/4x25mm	Bolt	13 pcs
C		Ø4x12mm	Screw	12 pcs
D		Ø4x8mm	Screw	12 pcs
E		Ø5/32"x20mm	Bolt	4 pcs
F			Handle	2 pcs
G		M4	Hex key	1 pc
H		Ø3x16mm	Screw	4 pcs
J			Door stopper	2 pcs
K		Ø1/4"x25mm	Bolt	1 pc



Philips head screwdriver required for assembly  
(not included)

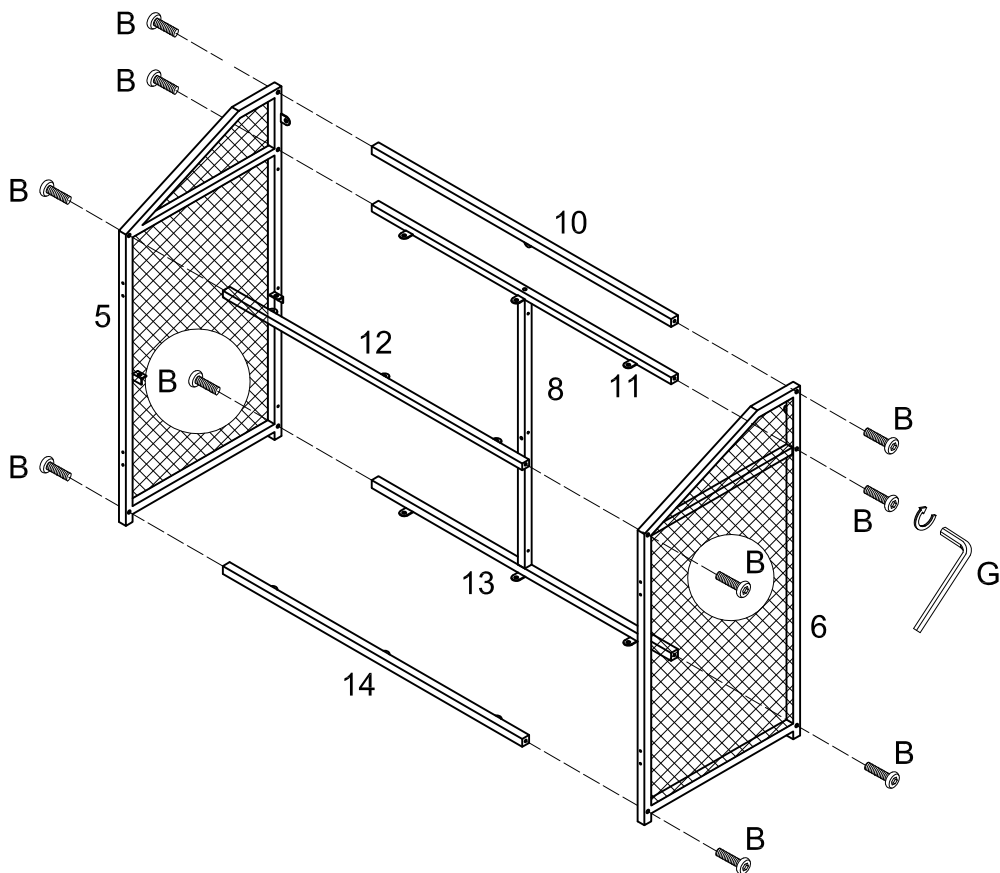
*The hardware quantities listed above are required for proper assembly.  
Some extra hardware may also have been included.*

# Step 1



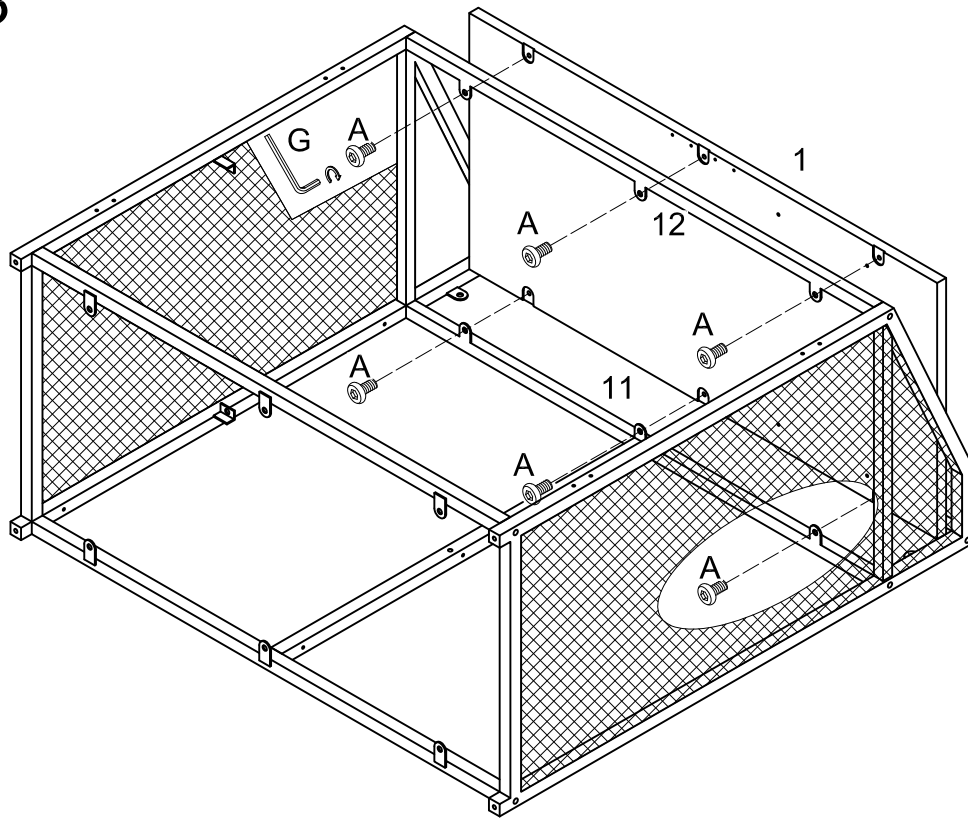
Attach part (11,13) to part (8) using bolt (B,K) with hex key (G).

# Step 2



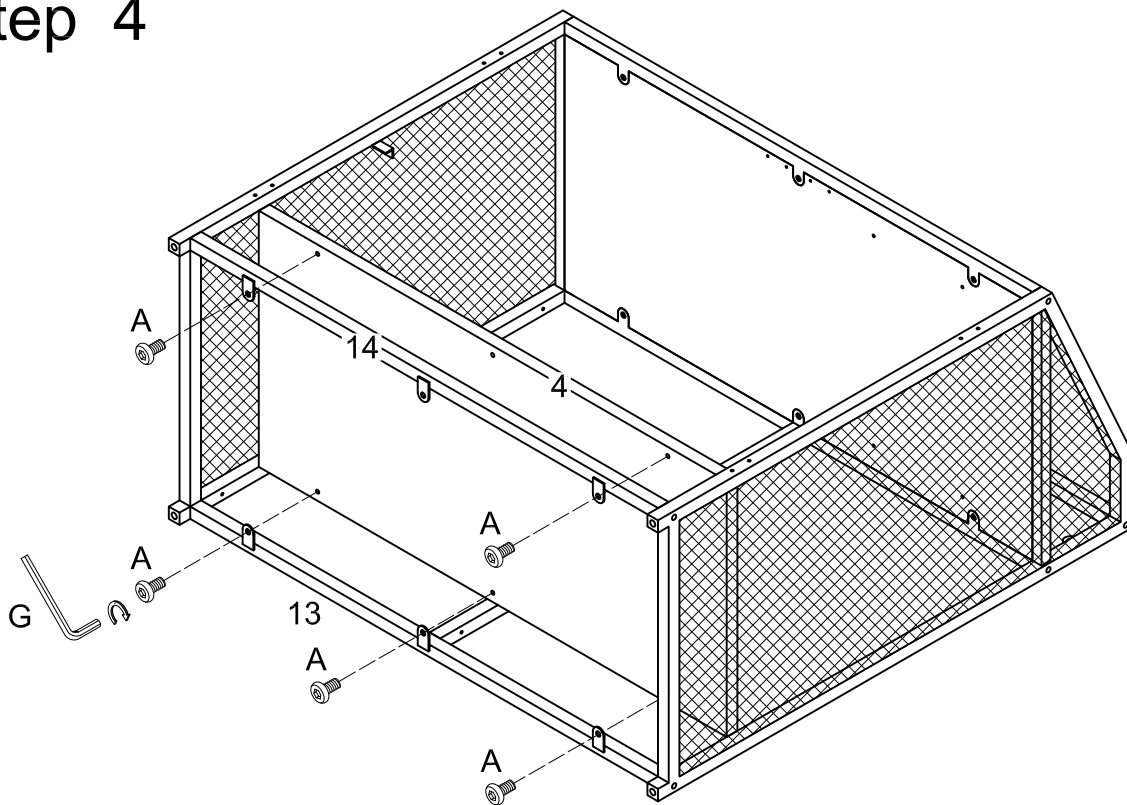
Attach part (5,6) to part (10,11,12,13,14) using bolt (B) with hex key (G).

## Step 3



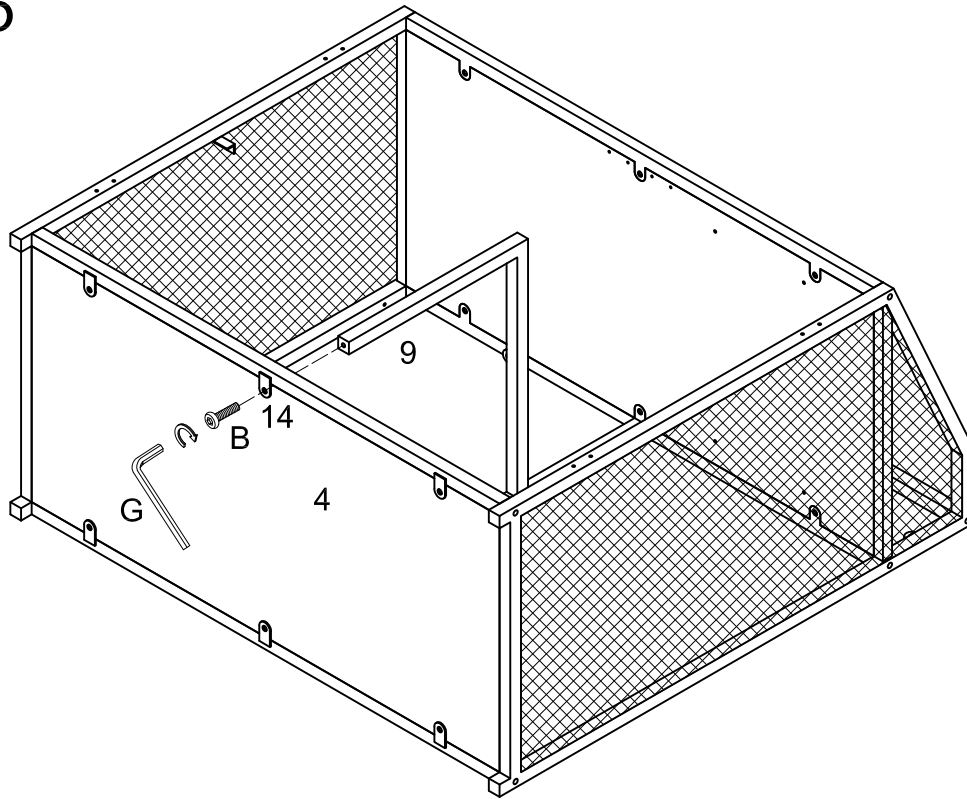
Attach part (11,12) to part (1) using bolt (A) with hex key (G).

## Step 4



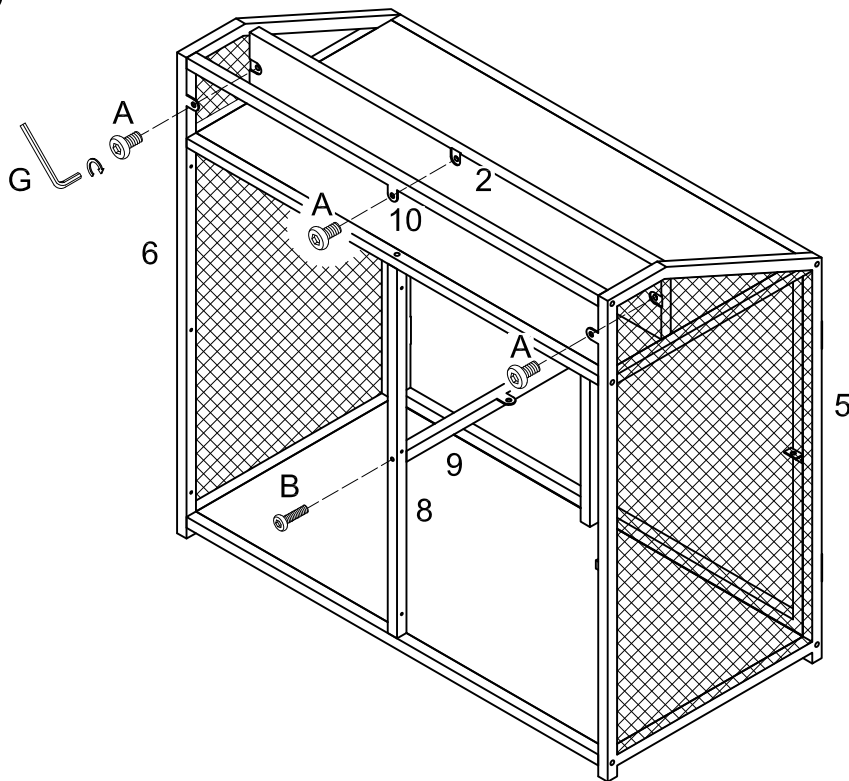
Attach part (13,14) to part (4) using bolt (A) with hex key (G).

## Step 5



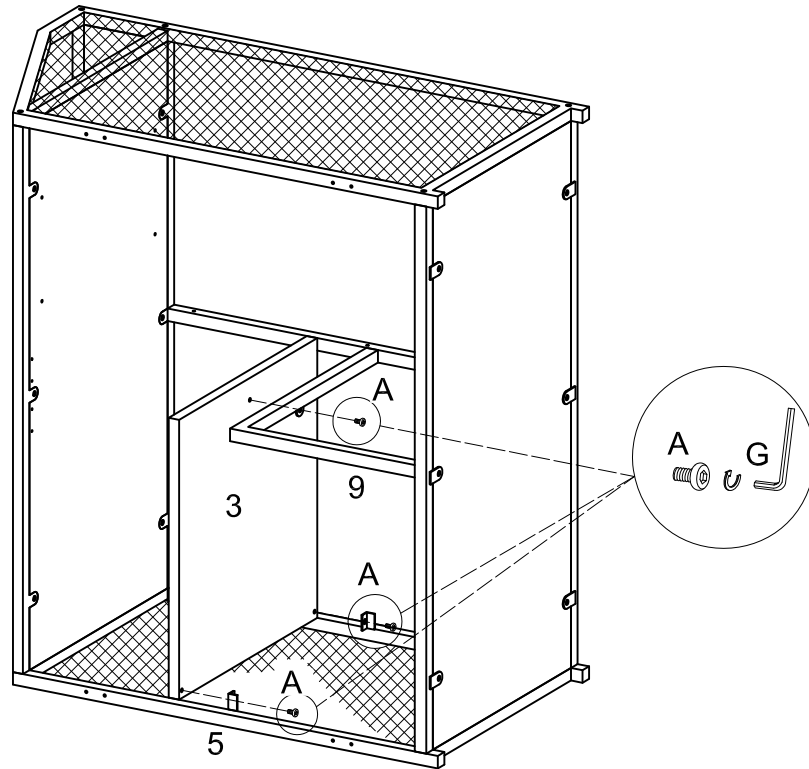
Attach part (14) to part (9) using bolt (B) with hex key (G).

## Step 6



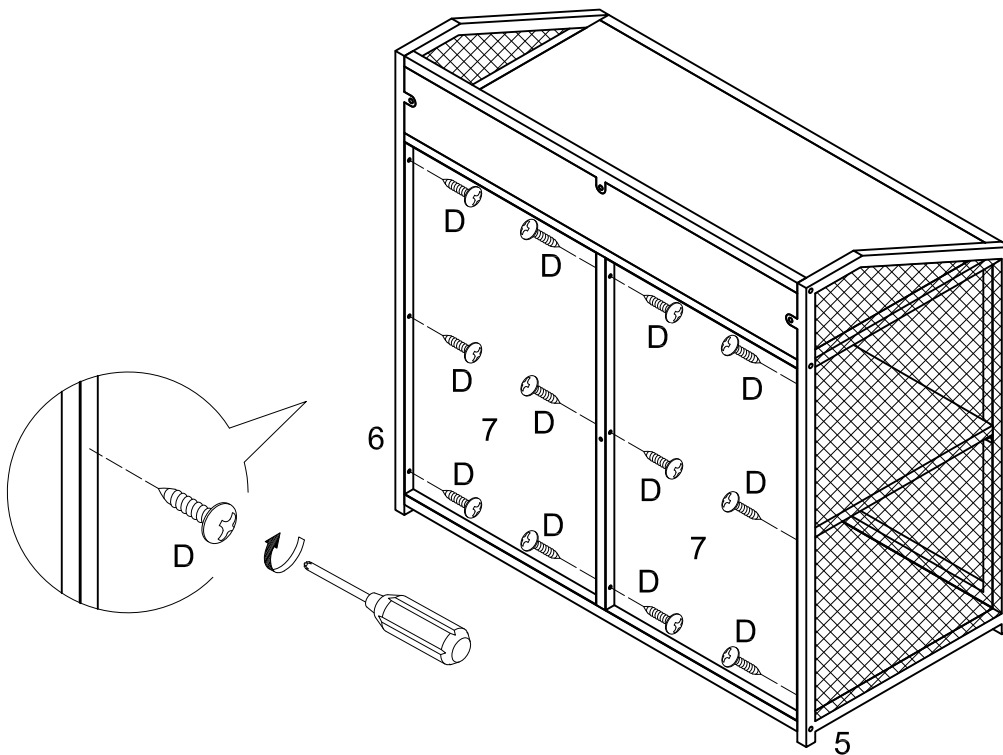
Attach part (5,6,10) to part (2) using bolt (A), and part (8) to part (9) using bolt (B) with hex key (G).

# Step 7



Attach part (5,9) to part (3) using bolt (A) with hex key (G).

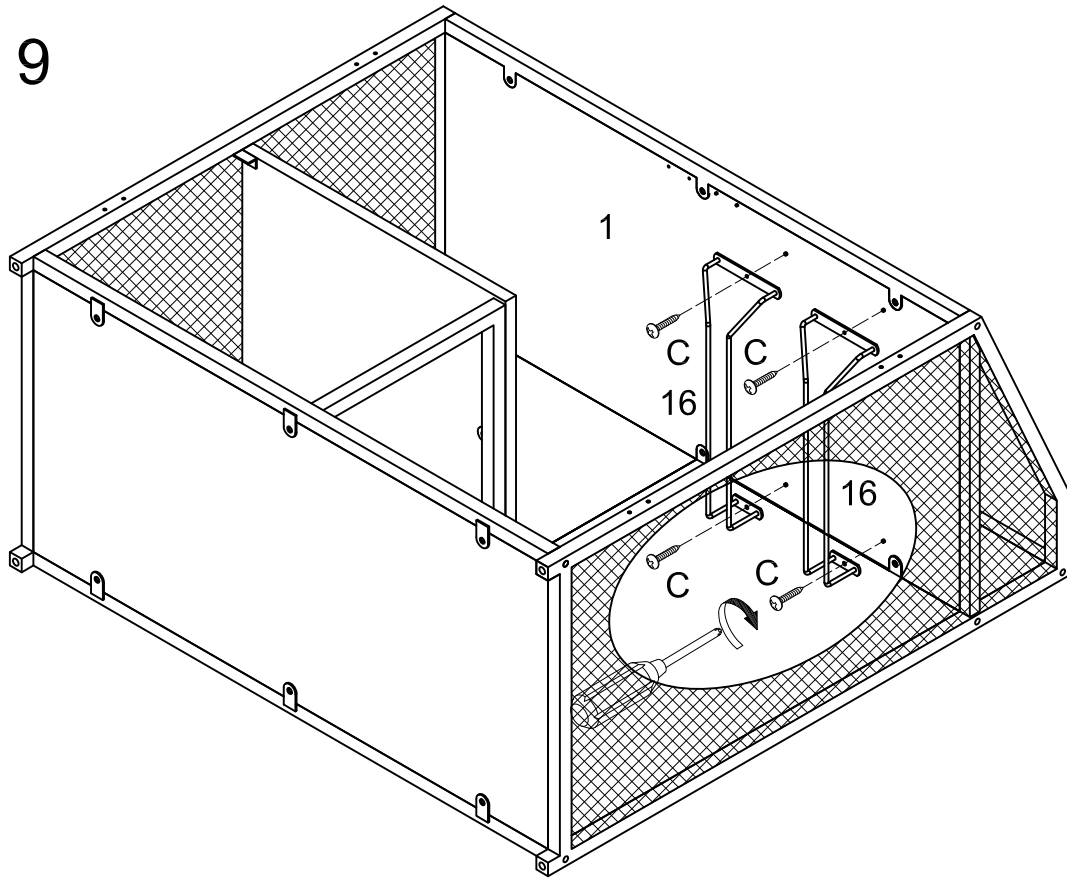
# Step 8



Secure part (7) to part (5, 6) using screw (D).

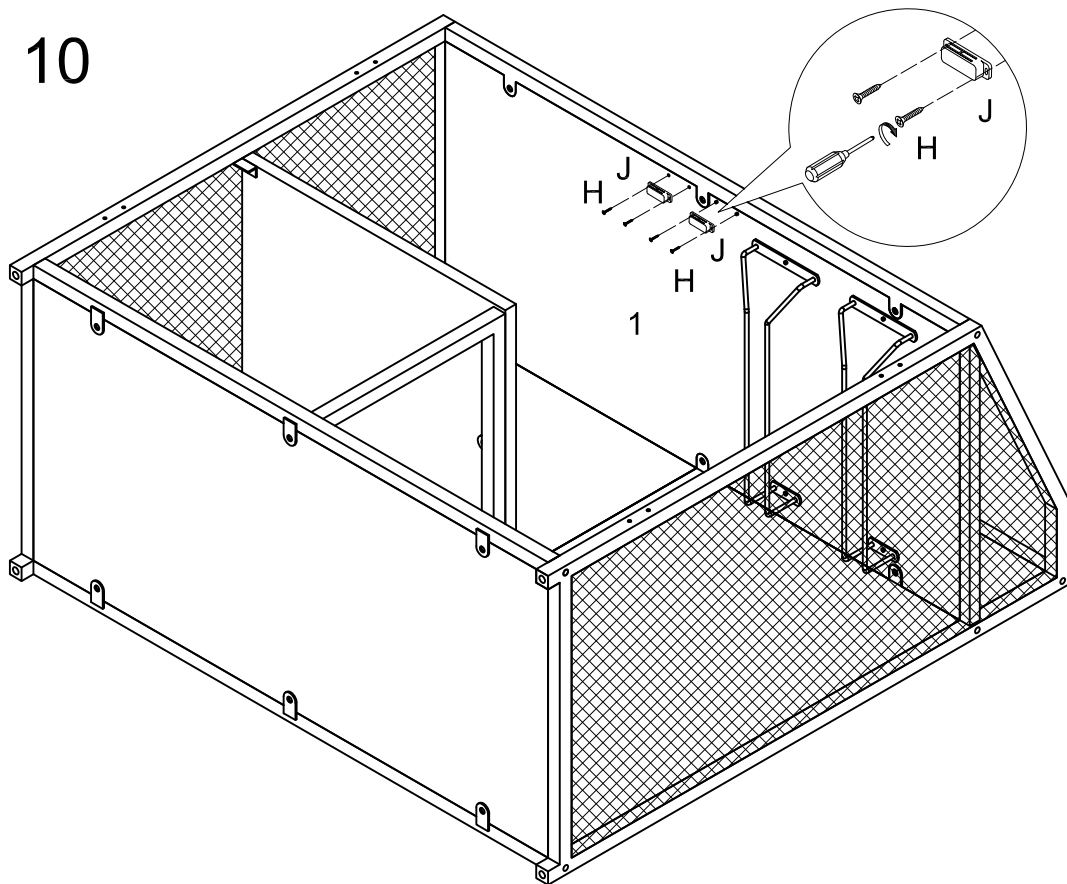


## Step 9



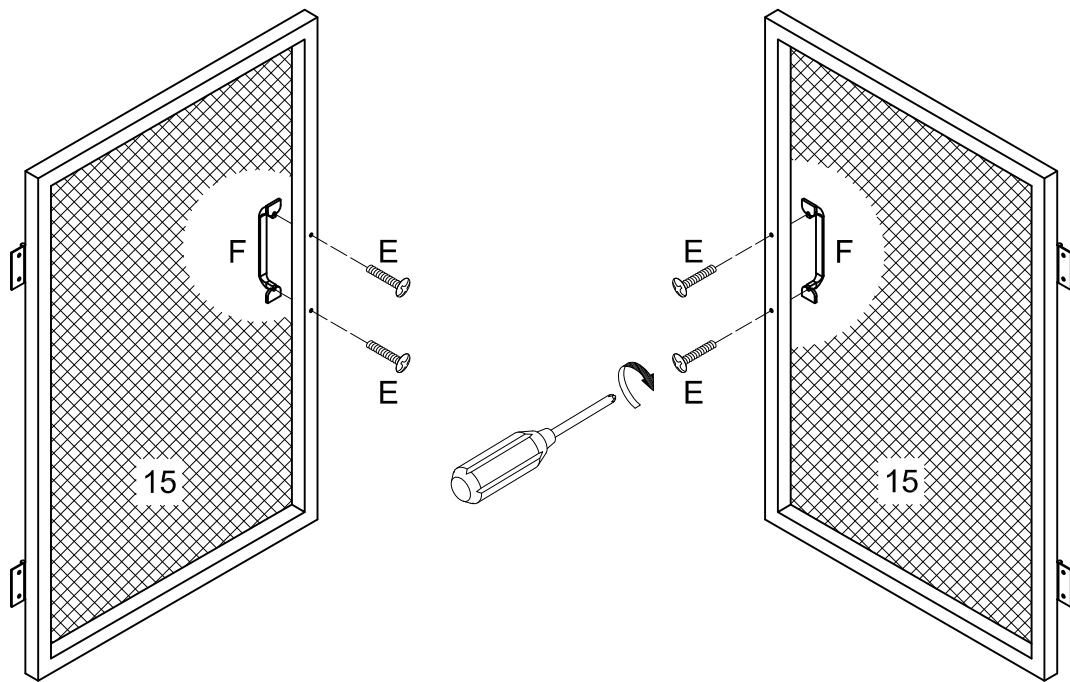
Attach part (16) to part (1) using screw (C) with screwdriver.

## Step 10



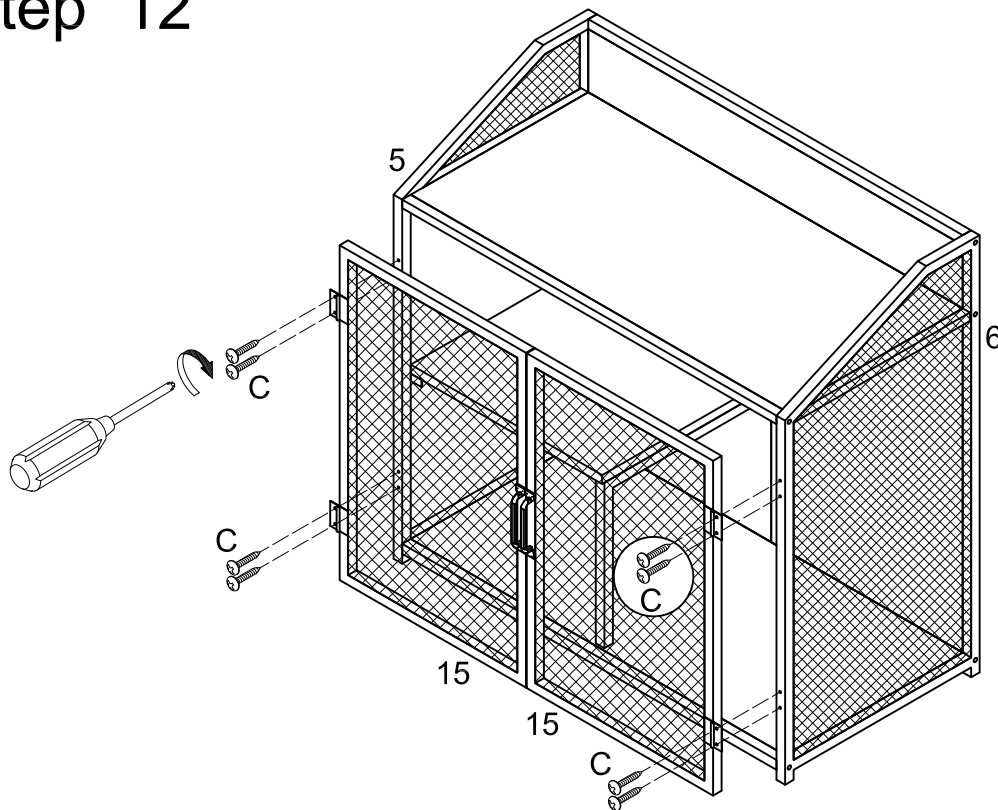
Attach door stopper (J) to part (1) using screw (H) with screwdriver.

## Step 11



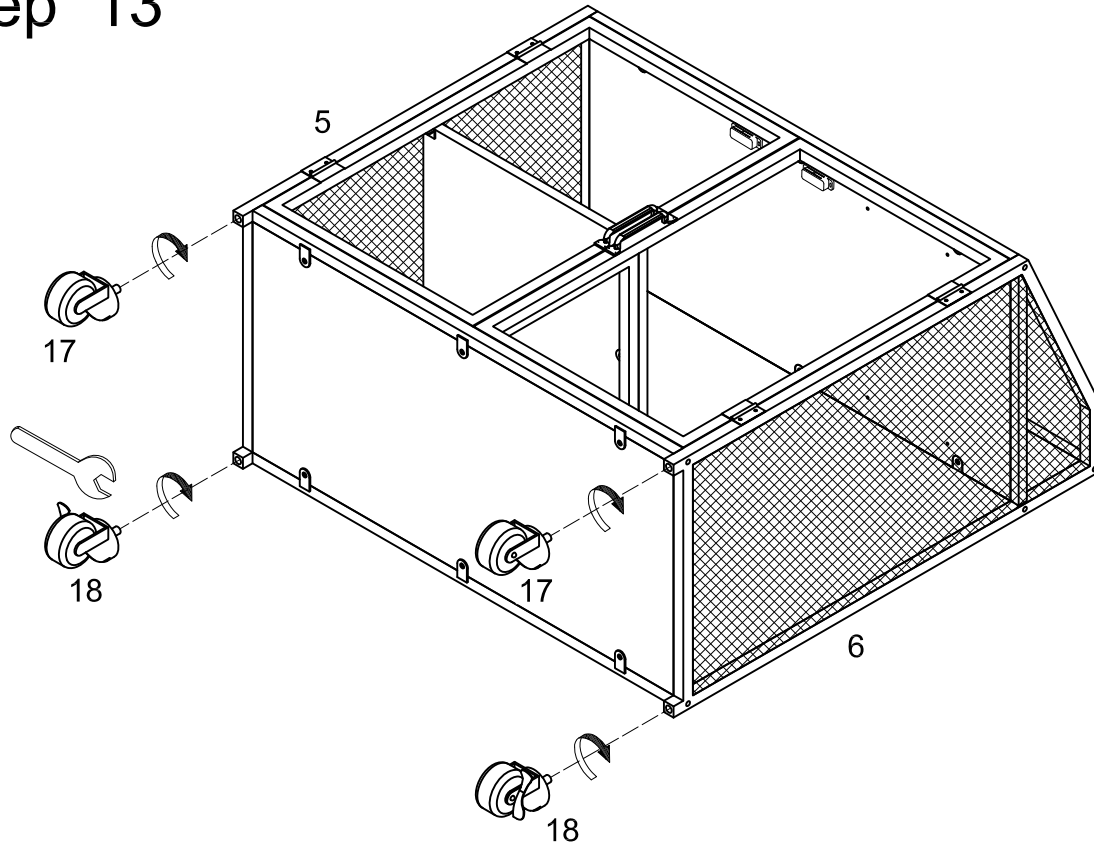
Attach handle (F) to part (15) using bolt (E) with screwdriver.

## Step 12



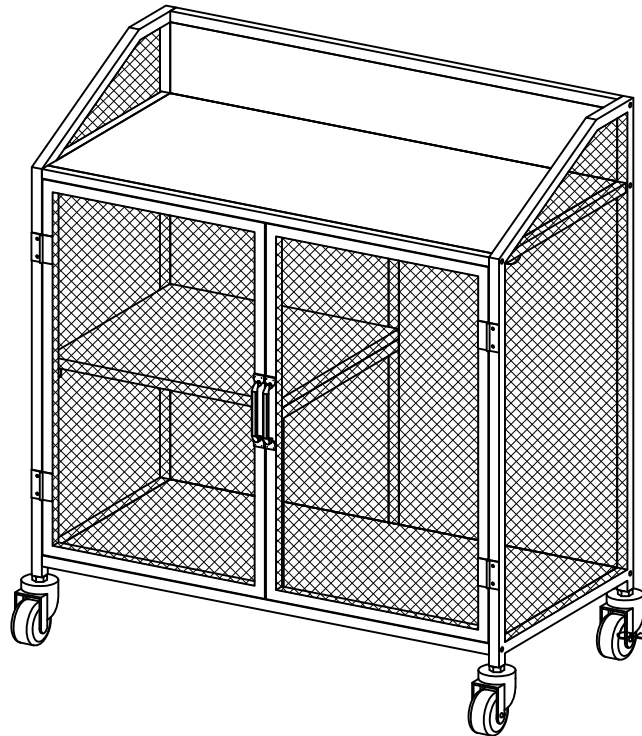
Attach part (15) to part (5,6) using screw (C) with screwdriver.

## Step 13



Attach part (17,18) to part (5,6) with wrench.

## Step 14



Final Assembly