



**READ AND SAVE THESE INSTRUCTIONS  
LISEZ CES INSTRUCTIONS ET CONSERVEZ-LES  
LEA Y GUARDE ESTAS INSTRUCCIONES**

**THIS MANUAL IS FOR USE ONLY IN USA AND CANADA  
CE MANUEL EST UNIQUEMENT VALABLE AUX USA ET AU CANADA  
ESTE MANUAL ES PARA USO EXCLUSIVO EN EE.UU. Y CANADÁ**

**ENS436BL**

<b>EN</b>	<b>Contents</b>	<b>page</b>	<b>3</b>
<b>FR</b>	<b>Sommaire</b>	<b>page</b>	<b>27</b>
<b>ES</b>	<b>Contenido</b>	<b>página</b>	<b>52</b>

# Contents

<b>Important safety Notice</b> .....	<b>4</b>
<b>Electrical &amp; Installation requirements</b> .....	<b>10</b>
Electrical requirements .....	10
Before installing .....	10
<b>List of Materials</b> .....	<b>11</b>
Parts supplied .....	11
Parts not supplied .....	11
<b>Dimensions and Clearances</b> .....	<b>11</b>
<b>Use</b> .....	<b>14</b>
Cooking containers .....	14
Energy saving .....	14
<b>Installation</b> .....	<b>15</b>
Preparation of the hood for installation: .....	15
<b>Description of the hood &amp; Controls</b> .....	<b>17</b>
Controls .....	18
Power tables .....	23
Cooking tables .....	24
<b>User Servicing and Maintenance Instructions</b> .....	<b>25</b>
Cleaning .....	25
Grease Filter .....	25
Charcoal Filter .....	25
Troubleshooting .....	26
Customer service .....	26
<b>Warranty</b> .....	<b>27</b>

# READ AND SAVE THESE INSTRUCTIONS

## Important safety Notice

### COOKTOP SAFETY

We have provided many important safety messages in this manual and on your appliance. Always read and obey all safety messages.



This is the safety alert symbol.

This symbol alerts you to potential hazards that can kill or hurt you and others.

All safety messages will follow the safety alert symbol and either the word "DANGER" or "WARNING."

These words mean:

**⚠ DANGER**

You can be killed or seriously injured if you don't immediately follow instructions

**⚠ WARNING**

You can be killed or seriously injured if you don't follow instructions.

All safety messages will tell you what the potential hazard is, tell you how to reduce the chance of injury, and tell you what can happen if the instructions are not followed.



# IMPORTANT SAFETY INSTRUCTIONS

**WARNING:** To reduce the risk of fire, electrical shock, injury to persons, or damage when using the cooktop, follow basic precautions, including the following:

- **CAUTION:** Do not store items of interest to children in cabinets above a cooktop – Children climbing on the cooktop to reach items could be seriously injured.
- **Proper Installation** – Be sure your cooktop is properly installed and grounded by a qualified technician.
- **Never Use Your Cooktop for Warming or Heating the Room.**
- **Do Not Leave Children Alone** – Children should not be left alone or unattended in area where cooktop is in use. They should never be allowed to sit or stand on any part of the cooktop.
- **Wear Proper Apparel** – Loose-fitting or hanging garments should never be worn while using the cooktop.
- **User Servicing** – Do not repair or replace any part of the cooktop unless specifically recommended in the manual. All other servicing should be referred to a qualified technician.
- **Storage on Cooktop** – Flammable materials should not be stored near surface units.
- **Do Not Use Water on Grease Fires** – Smother fire or flame or use dry chemical or foam-type extinguisher.
- **Use Only Dry Potholders** – Moist or damp potholders on hot surfaces may result in burns from steam. Do not let potholder touch hot heating elements. Do not use a towel or other bulky cloth.
- **DO NOT TOUCH SURFACE UNITS OR AREAS NEAR UNITS** – Surface units may be hot even though they are dark in color. Areas near surface units may become hot enough to cause burns. During and after use, do not touch, or let clothing or other flammable materials contact surface units or areas near units until they have had sufficient time to cool. Among those areas are the cooktop and surfaces facing the cooktop.
- **Use Proper Pan Size** – This cooktop is equipped with one or more surface units of different size. Select utensils having flat bottoms large enough to cover the surface unit heating element. Proper relationship of utensil to burner will also improve efficiency.

- **Never Leave Surface Units Unattended at High Heat Settings** – Boilover causes smoking and greasy spillovers that may ignite.
- **Glazed Cooking Utensils** – Only certain types of glass, glass/ceramic, ceramic, earthenware, or other glazed utensils are suitable for cooktop service without breaking due to the sudden change in temperature.
- **Utensil Handles Should Be Turned Inward and Not Extend Over Adjacent Surface Units** – To reduce the risk of burns, ignition of flammable materials, and spillage due to unintentional contact with the utensil, the handle of a utensil should be positioned so that it is turned inward, and does not extend over adjacent surface units.
- **Do Not Cook on Broken Cooktop** – If cooktop should break, cleaning solutions and spillovers may penetrate the broken cooktop and create a risk of electric shock. Contact a qualified technician immediately.
- **Clean Cooktop With Caution** – If a wet sponge or cloth is used to wipe spills on a hot cooking area, be careful to avoid steam burn. Some cleaners can produce noxious fumes if applied to a hot surface.
- **Do not place metal objects such as knives, forks, spoons and lids on the hob surface as they may overheat.**

## **For units with ventilating hood –**

- **Clean Ventilating Hoods Frequently** – Grease should not be allowed to accumulate on hood or filter.
- **When flaming foods under the hood, turn the fan on.**

## **For units with coil elements –**

- **Make Sure Reflector Pans or Drip Bowls Are in Place** – Absence of these pans or bowls during cooking may subject wiring or components underneath to damage.
  - **Protective Liners** – Do not use aluminum foil to line surface unit drip bowls, except as suggested in the manual. Improper installation of these liners may result in a risk of electric shock, or fire.
- Do Not Soak Removable Heating Elements** - Heating elements should never be immersed in water.

# SAVE THESE INSTRUCTIONS

This induction cooktop generates and uses ISM frequency energy that heats cookware by using an electromagnetic field. It has been tested and complies with Part 18 of the FCC Rules for ISM equipment. This induction cooktop meets the FCC requirements to minimize interference with other devices in residential installation.

This induction cooktop may cause interference with television or radio reception. If interference occurs, the user should try to correct the interference by:

- Relocating the receiving antenna of the radio or television.
- Increasing the distance between the cooktop and the receiver.
- Connecting the receiver into a different outlet.

It is the user's responsibility to correct any interference.

**NOTE:** People with a pacemaker or similar medical device should use care when standing near this induction cooktop while it is on. The electromagnetic field may affect the pacemaker or similar device. Consult your doctor or the manufacturer of the pacemaker or similar medical device for additional information about its effects with electromagnetic fields of the induction cooktop.

Caution! Strictly observe the following instructions:

- The device must be disconnected from the electrical network before performing any installation work.
- Installation or maintenance must be performed by a qualified technician, in compliance with the manufacturer's instructions and with local safety regulations. Do not repair or replace any part of the device unless specifically stated in the operating manual.
- Earthing the device is compulsory.
- Do not use multiple sockets or extension cords.
- Once installation is complete, the electrical components must no longer be accessible by the user.
- The device and its accessible parts heat up during use. Be careful not to touch the heating elements.
- Ensure that children do not play with the device; keep children away and supervise them, as the accessible parts may become very hot during use.
- For people with pacemakers and active implants it is important to check, prior to using the induction hob, that their pacemaker is compatible with the device.
- During and after use, do not touch the heating elements of the device.
- Avoid contact with cloths or other flammable materials until all the device components have sufficiently cooled.
- Do not place flammable materials on or

near the device.

- Overheated fats and oils easily catch fire. Supervise the cooking of foods rich in fat and oil.
- If the surface is cracked, switch off the device to avoid the possibility of an electric shock.
- The device is not intended to be run with an external timer or a separate remote control system.
- Unattended cooking on a hob with oil or fat may be dangerous and may cause a fire.
- The cooking process must be supervised. A short-term cooking process must be constantly monitored.
- NEVER attempt to put fires out using water. Instead, turn off the device and smother the flames, for example with a lid or a fire blanket. Fire hazard: do not rest objects on the cooking surfaces.
- Do not use steam cleaners.
- Before connecting the device to the electrical network: check the data plate (on the bottom of the device) to ensure that the voltage and power correspond to the network values and that the connection socket is suitable. If in doubt, consult a qualified electrician.

**Important:**

- After use, switch off the hob from its control device and do not rely on the pot detector.
- Avoid spills; when boiling or heating liquids, lower the heat supply.

- Do not leave the heating elements on with pots and pans empty or without containers.

- Once cooking is complete, turn off the relative zone.

- Never use aluminium foil to cook with, and never directly place products packaged with aluminium on top of the cooking surface. The aluminium would melt and irreparably damage your device.

- Never heat a tin or a tin can containing foods without first opening it: it might explode!

This warning also applies to all other types of hobs.

- A high power level such as the Booster function should not be used to heat certain liquids such as oil for frying. Excessive heat may be dangerous. In these cases we recommend the use of a lower power level.

-The containers must be placed directly on the hob and should be centred. Under no circumstances may anything be inserted between the pot and the hob.

- In high temperature situations, the device automatically decreases the power level of the cooking zones. Before performing any cleaning or maintenance, disconnect the product from the electrical network by detaching the plug or disconnecting the home's master switch.

For all installation and maintenance

operations, always use work gloves

The device can be used by children 8 years or older and by persons with physical, sensory or mental impairments, or by people without any experience or the necessary knowledge, provided they are supervised or have received instructions regarding the safe use of the device and provided they have a thorough understanding of the associated risks.

Children must be supervised to ensure they do not play with the device.

Cleaning and maintenance must never be performed by children unless they are properly supervised.

The room must be properly ventilated when the cooker hood is used at the same time as other combustion devices, gas or otherwise.

The hood must be regularly cleaned both internally and externally (AT LEAST ONCE PER MONTH), in strict accordance with the maintenance instructions.

Failure to follow the rules for hood cleaning and filter replacement and cleaning shall result in a fire hazard.

It is strictly prohibited to flame food.

The use of an open flame may damage the filters and cause a fire hazard; it must therefore be avoided under all circumstances.

Extra care must be taken when frying to prevent the oil from overheating and catching fire.

CAUTION: When the hob is on, the accessible parts of the hood may become hot.

**Caution!** Do not connect the device to

the electrical network until installation is entirely complete.

In regards to the technical and safety measures that must be adopted for fume extraction, regulations issued by local authorities must be strictly followed.

The extracted air must not be conveyed through the same ducts used to extract the fumes generated by gas combustion or other types of combustion devices.

Never use the hood unless the grill has been correctly assembled!

Use only the fastening screws supplied with the product for its installation, or if not supplied, purchase the correct type of screws. Use screws with the right length, as indicated in the installation guide.

When the cooker hood is used together with other devices powered with non-electrical energy, the negative pressure of the room must not exceed 4 Pa ( $4 \times 10^{-5}$  bar).

This manual must be stored for future consultation at any time. If sold, transferred or moved, it must remain with the product.

# Electrical & Installation requirements

## Electrical requirements

Fig. 2

- Disconnect the device from the electrical network
- The installation must be performed by professionally qualified personnel familiar with the applicable installation and safety standards.
- The manufacturer declines any liability to people, animals or things in the case of failure to follow the guidelines provided in this chapter.
- Make sure that the voltage on the rating plate on the bottom of the device corresponds to that of the house where it will be installed.
- Do not use extension cords.
- Earthing is required by law

### IMPORTANT

Observe all governing codes and ordinances.

It is the customer's responsibility:  
To contact a qualified electrical installer.  
To assure that the electrical installation is adequate and in conformance with National Electrical Code, ANSI/NFPA 70 — latest edition\*, or CSA Standards C22.1-94, Canadian Electrical Code, Part 1 and C22.2 No.0-M91 - latest edition\*\* and all local codes and ordinances.

If codes permit and a separate ground wire is used, it is recommended that a qualified electrician determine that the ground path is adequate.

Do not ground to a gas pipe.  
Check with a qualified electrician if you are not sure range hood is properly grounded.  
Do not have a fuse in the neutral or ground circuit.

### IMPORTANT

Save Installation Instructions for electrical inspector's use.  
The appliance should be connected directly to the fused disconnect (Or circuit breaker) box through metal electrical conduit.

Wire sizes must conform to the requirements of the National Electrical Code ANSI/NFPA 70 — latest edition\*, or CSA Standards C22.1-94, Canadian Electrical Code Part 1 and C22.2 No. 0-M91 - latest edition\*\* and all local codes and ordinances.

A U.L.- or C.S.A.-listed conduit connector must be provided at each end of the power supply conduit (at the appliance and at the junction box).

Copies of the standards listed may be obtained from:

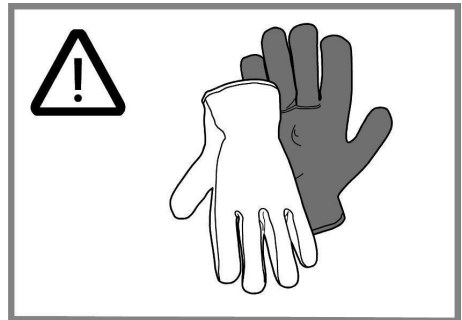
\* National Fire Protection Association  
Batterymarch Park Quincy, Massachusetts 02269

\*\* CSA International 8501 East Pleasant Valley Road Cleveland, Ohio 44131-5575

## Before installing

At least two people are necessary for installation.

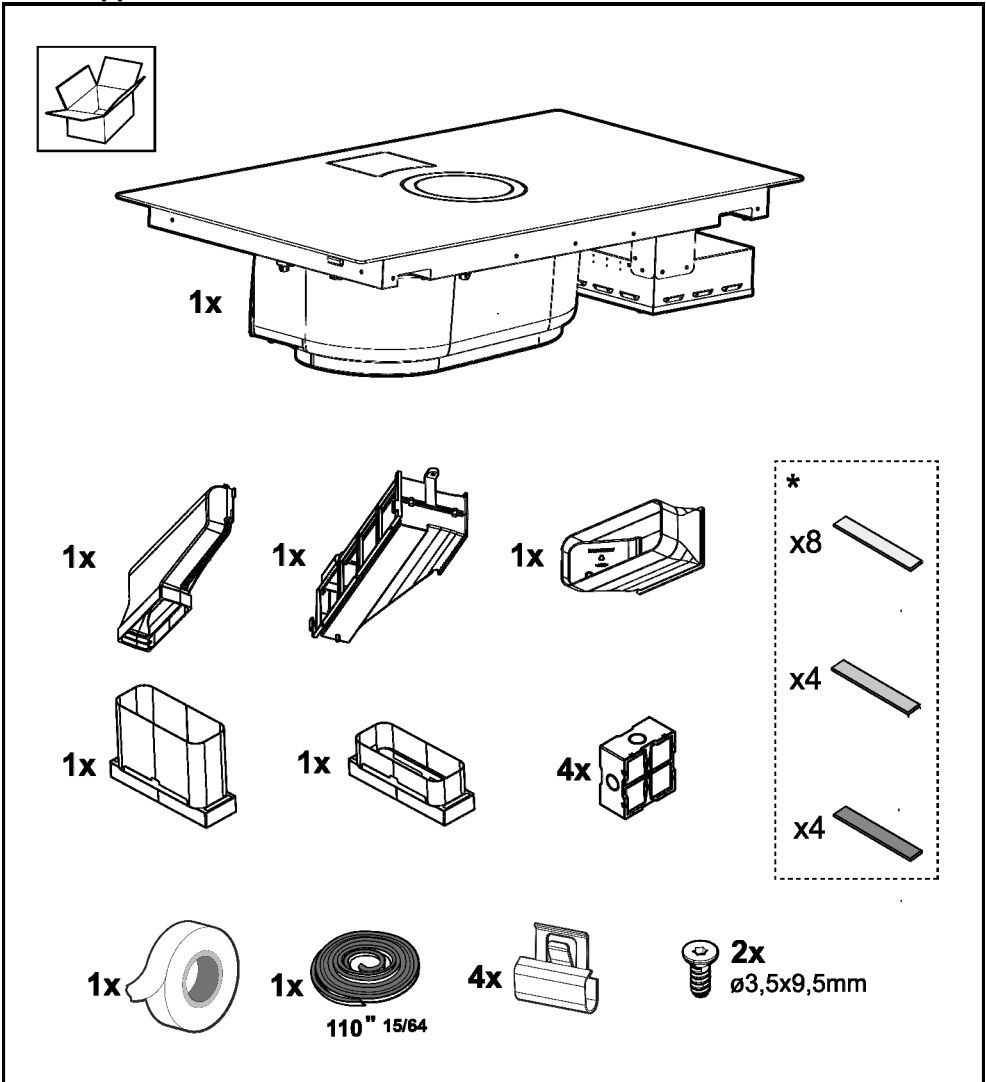
Wear gloves to protect against sharp edges.



The exhaust air should not be vented into a wall, a ceiling, or a concealed space of a building. To eliminate the risk of burns or fire by reaching over heated surface units, cabinet storage space located above the surface units should be avoided. If cabinet storage is to be provided, the risk can be reduced by installing a range hood that projects horizontally a minimum of 5 inches beyond the bottom of the cabinets.

# List of Materials

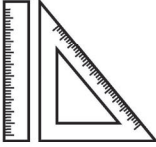
## Parts supplied



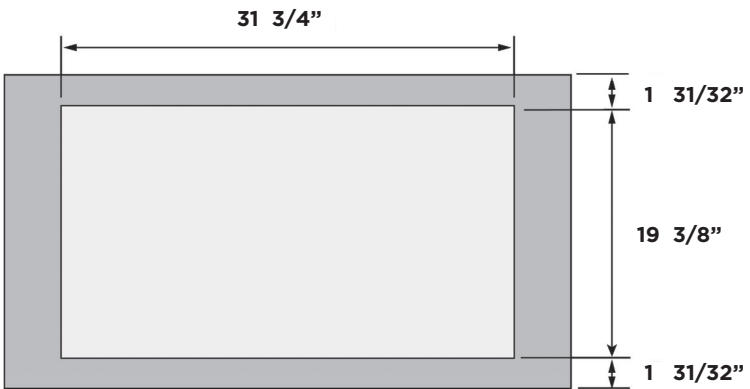
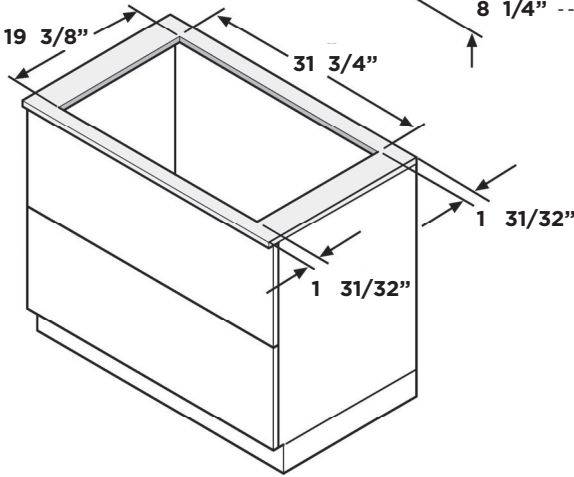
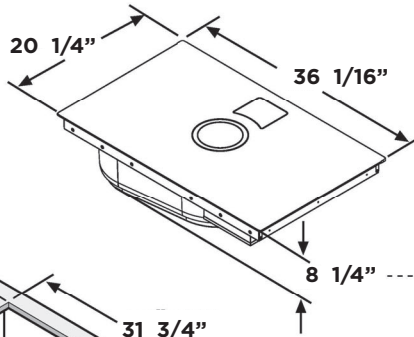
## Parts not supplied

- Duct, conduit and all tools required for installation.

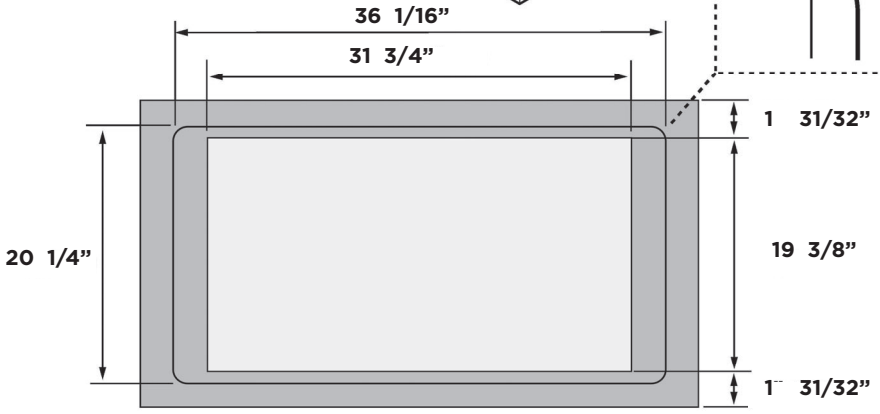
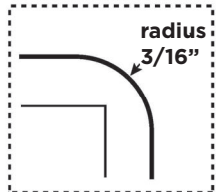
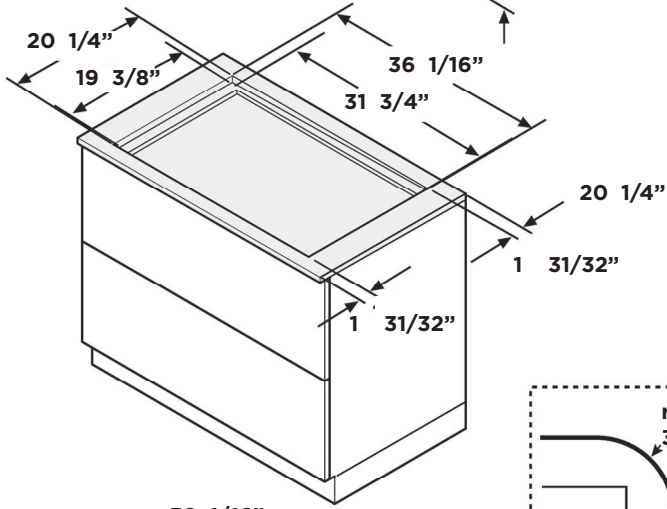
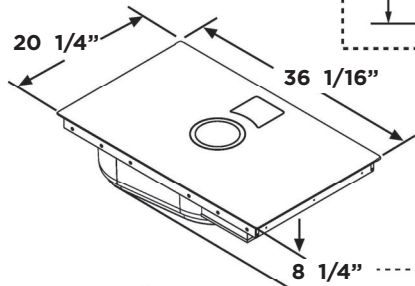
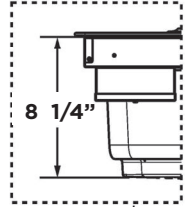
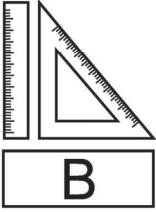
# Dimensions and Clearances



**A**







# Use

The induction cooking system is based on the physical phenomenon of magnetic induction. The main characteristic of this system is the direct transfer of energy from the generator to the pot.

## Advantages:

When compared to electric hobs, your induction hob is:

- **Safer:** lower temperature on the glass surface.
- **Faster:** shorter food heating times.
- **More accurate:** the hob immediately reacts to your commands
- **More efficient:** 90% of the absorbed energy is transformed into heat. Moreover, once the pot is removed from the hob, heat transmission is immediately interrupted, avoiding unnecessary heat losses.

## Cooking containers



Use only pots bearing the symbol

### Important:

to avoid permanent damage to the hob surface, do not use:

- containers with less than perfectly flat bottoms.
- metal containers with enamelled bottoms.
- containers with a rough base, to avoid scratching the hob surface.
- never place hot pots and pans on the surface of the hob's control panel

## Pre-existing containers

Induction cooking uses magnetism to generate heat. Containers must therefore contain iron. Check if the pot material is magnetic using a magnet. Pots are not suitable if they are not magnetically detectable.

## Recommended pan bottom diameters

**IMPORTANT: if the pots are not correctly sized, the cooking zones will not turn on**

For details of the minimum pot diameter that needs to be used on each zone, see the illustrated part of this manual.

## Energy saving

Recommendations for best results:

- Use pots and pans with a bottom diameter equal to that of the cooking zone.
- Use only pots and pans with flat bottoms.
- Where possible, keep the lid on pots during cooking
- Cook vegetables, potatoes, etc. with a small amount of water to reduce cooking time.
- Use a pressure cooker, it further reduces the energy consumption and cooking time
- Place the pot in the centre of the cooking zone drawn on the hob.

# Installation

**The electrical and mechanical installation must be performed by qualified personnel.**

The electrical appliance is designed to be built-in to a 2-6 cm thick worktop in the case of TOP installations; 2.5-6 cm in the case of FLUSH installations.

The minimum clearance between the cooktop and wall must be at least 5 cm at the front, at least 4 cm on the side and at least 50 cm with respect to the wall units above.

**NB = The suggested clearances are indicative: when designing the spaces, follow the instructions of the kitchen manufacturer.**

## Preparation of the hood for installation:

**Before starting the installation:**

- **After unpacking the product, check that it has not been damaged during transport and in the case of problems, contact your dealer or Customer Service, before proceeding with the installation.**
- Check that the product is the right size for the installation location.
- Check for accessories inside the packaging (placed there for ease of transport) such as bags containing screws, the warranty card, etc.. Remove them and keep them safe.
- Also check that there is a power socket near the installation area

**Preparing the cabinet for installation:**

- The product cannot be installed above cooling appliances, dishwashers, heaters, ovens, washing machines and dryers.
- Cut the cabinet before inserting the hob and carefully remove shavings or sawdust.

**CAUTION!** Failure to install screws and fasteners in accordance with these instructions may result in electrical hazards.

**Note:** to ensure the correct installation of the product, it is recommended to tape the pipes using an adhesive with the following characteristics:

- soft elastic PVC film, with an acrylic-based adhesive
- which complies with DIN EN 60454 regulations
- flame retardant
- excellent resistance against wear
- resistant against temperature fluctuations
- can be used in low temperatures

**IMPORTANT:** use a single component adhesive sealant (S), resistant against high temperatures up to 250°;

prior to installation, the surfaces that need to be glued must be carefully cleaned, removing all substances that may compromise adhesion

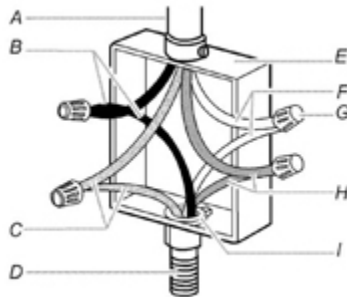
(e.g. release agents, preservatives, grease, oils, powders, old adhesive residue, etc.); the sealant must be evenly distributed along the entire perimeter of the frame;

after gluing, leave to dry for approximately 24 hours.

**Fig. 1b**

## 4-Wire Cable from Home Power Supply to 4-Wire Cable from Cooktop

**IMPORTANT:** Use the 4-wire cable from home power supply in the U.S. where local codes do not allow grounding through homes and recreational vehicles, new construction, and in Canada



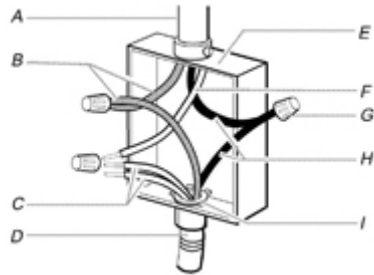
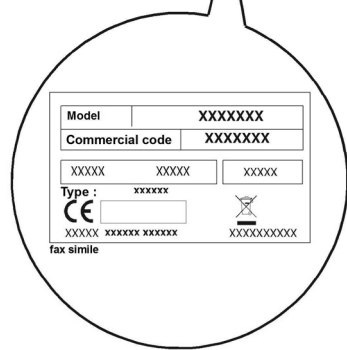
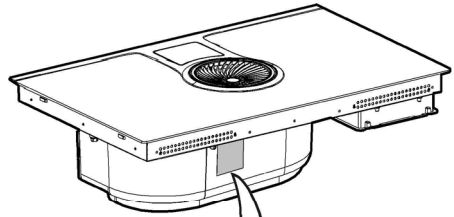
- A.** Cable from home power supply
- B.** Black wires
- C.** Green or yellow-green ground wires
- D.** 4-wire cable from cooktop
- E.** Junction box
- F.** White wires
- G.** UL listed wire connector
- H.** red wires
- I.** UL listed or CSA approved conduit connector

1. Connect the 2 black wires together using the UL listed wire connectors
2. Connect the 2 red wires together using the UL listed wire connectors
3. Connect the 2 white wires together using the UL listed wire connectors

4. Connect the green ( or yellow-green) ground from the cooktop cable ti the green (or yellow-green) ground wire (in the junction box) using the UL listed wire connectors

5. Install junction box cover.**3-Wire Cable from Home Power Supply to 4-Wire Cable from Cooktop - U.S. Only**

IMPORTANT: Use the 3-wir cable from home power supply where local codes permit connecting the frame-ground conductor to the neutral (white) junction box wire.

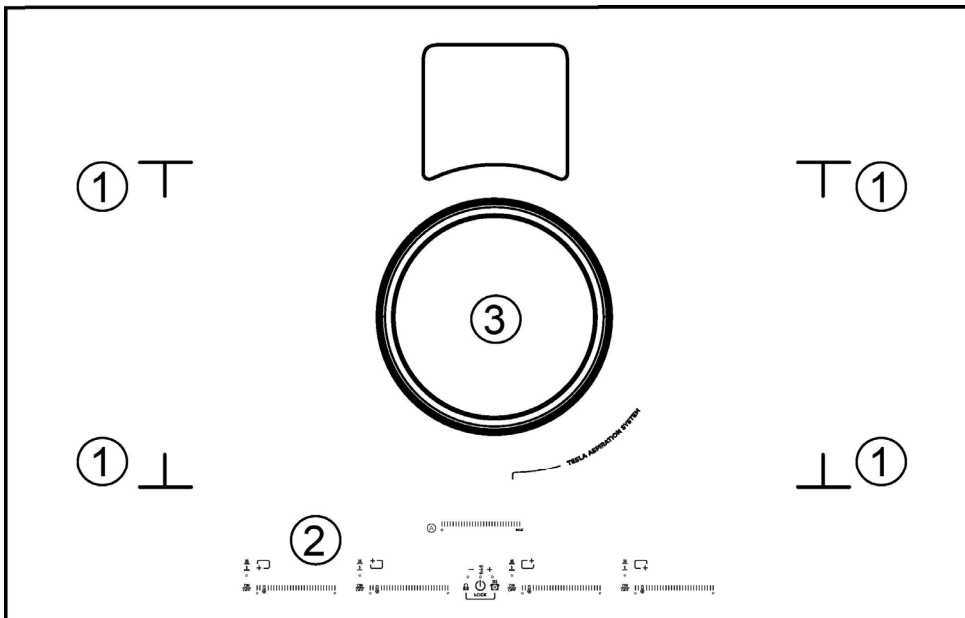


- A. Cable from home power supply
- B. Red wires
- C. White wire and green (or yellow-green) wire (from cooktop)
- D. 4-wire cable from cooktop
- E. Junction box
- F. White wires
- G. UL listed wire connector
- H. Black wires
- I. UL listed or CSA approved conduit connector

1. Connect the 2 black wires together using the UL listed wire connectors
2. Connect the 2 red wires together using the UL listed wire connectors
3. Connect the green ( or yellow-green) and white cooktop cable to the white (neutral) wire in the junction box using the UL listed wire connectors
4. Install junction box cover.

## Sequences installation - pag.79

## Description of the hood & Controls

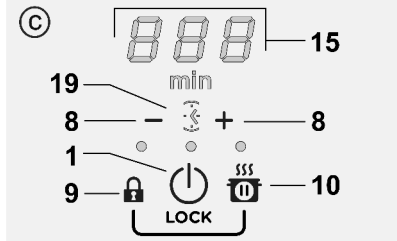
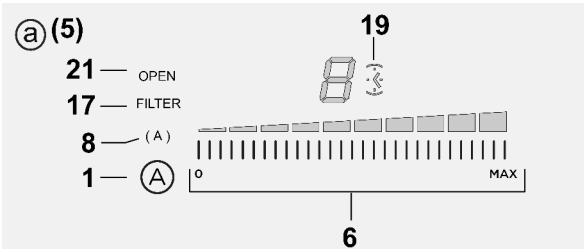
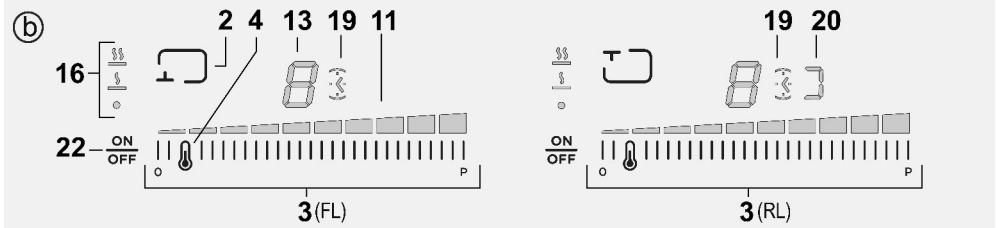
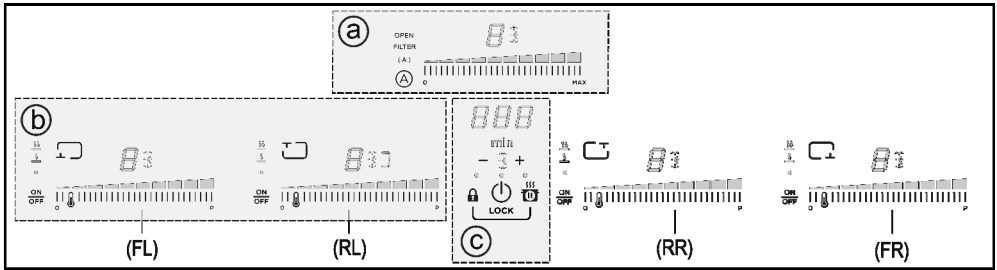


- 1 - Cooking zones
- 2 - Control Panel
- 3 - Extractor fan

# Controls

## Control panel

**Note:** To select the commands, simply touch (press) the symbols representing them



### Keys

1. **ON/OFF** of the hob / extractor fan for hob
2. Cooking zone position indicator
3. Cooking zone selection
4. Increase/Decrease Power Level
5. Keys fan
6. Extractor fan selection
7. Increase/Decrease extraction speed (power)
8. Activation of automatic functions
9. Reset filter saturation
10. Activate Timer
11. Increase/Decrease Timer value
12. Key Lock
13. Child Lock
14. Pause / Recall
15. ON/OFF Cooking zone

### Display / LED

11. View Power Level
12. View extraction speed (power)
13. Cooking zone display
14. Extractor fan display
15. Timer display
16. Temperature Manager display
17. Filter assistance indicator
18. Automatic extraction function indicator
19. Timer indicator active
20. Bridge indicator active
21. FLAP indicator

## USING THE HOB


### Before you begin, it is important to know:

All functions of this hob are designed in order to comply with the most stringent safety regulations.

For this reason:


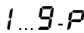




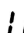

- **Some functions will not be activated, or will be automatically deactivated, in the absence of pots on the burners or when they are poorly positioned.**

- In other cases the activated functions will be automatically deactivated after a few seconds when the specific function requires a further setting that has not been selected (e.g.: "Turn the hob on" without "Selecting the cooking zone" and the "Operating temperature", or the "Lock Function" or the "Timer" function).

 **Warning!** In the case (for example) of prolonged use, the cooking zone may not immediately shut down because it is in the cooling phase; the "" symbol will appear on the cooking zone display "H" to indicate the execution of this phase. Wait for the display to turn off before approaching the cooking zone.

### Cooking zone display

the cooking area display indicates:

Cooking zone on	
Power Level	
Residual Heat Indicator	
Pot Detector	
Temperature Manager Function active	
Child Lock Function active	
Pause function	
Automatic Heat UP function	

## Hob characteristics

### ● Safe Activation

The product is activated only in the presence of pots on the cooking zone: the heating process does not start or is interrupted if there are no pots, or if these are removed.

### ● Pot Detector

The product automatically detects the presence of pots on the cooking zones.

### ● Safety Shut Down

For safety reasons, each cooking zone has a maximum operating time, which depends on the maximum power level set.

### ● Residual Heat Indicator

When one or more cooking zones shut down, the presence of residual heat is indicated by a visual signal on the corresponding zone display, by way of the "" symbol. "H".

### Operation

**Note:** Before activating any functions, the desired zone must be activated

### ● Power-on

Press (touch)  ON/OFF hob/ extractor

The indicator light will turn on to indicate that the hob/extractor is ready for use

Press again to turn off

**Note:** This function has priority over the others.

### ● Selecting the cooking zone

Touch ON/OFF(22), press the **Selection bar (3)** corresponding to the desired cooking zone.

### ● 9 Power Levels

The hob features 9 power levels

Touch and scroll along the **Selection bar (3):**

to the right to increase the level of power;

to the left to decrease the level of power.

### ● Power Booster

The product features a supplementary power level (after level 9), which remains active for 10 minutes, after which the temperature returns to the previously set value.

Touch and scroll along the **Selection bar (3)** (after level 9) and activate the Power Booster

The Power Booster level is shown on the display of the selected zone with the symbol "P"

### ● Bridge Zones


Thanks to the Bridge function, the cooking zones are able to work in a combined manner, creating a single zone with the same power level. This function allows evenly distributed cooking with large-sized pots and pans.

The front "Master" cooking zone can be used in combination with the corresponding "Secondary" cooking zone at the back

(to check which zones are equipped with this function, see the illustrated part of this manual).

### To activate the Bridge Function:

- **simultaneously select the two cooking zones you want to use**

- the Bridge indicator (20) of the "Secondary" cooking zone lights up 

- by means of the Selection bar (3) of the "Master" cooking zone it will be possible to set the operating level (Power)

- to deactivate the Bridge Function simply repeat the same activation procedure




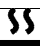
### ● Temperature Manager

Temperature Manager is a function that allows to set the most suitable pre-set temperature to achieve the desired result (see the Temperature Manager table at the end of this chapter).


Select the desired cooking zone.



• Press once or multiple times  (4) to choose the most suitable level among the ones available:

	Melting*	
	Warming*	
* See the Temperature Manager at the end of this chapter.		

• Press again to turn it off.


The following symbol appears on the display of the zone working in Temperature Manager mode 

### ● Key Lock

The Key Lock allows to block the settings of the hob to prevent accidental tampering, leaving the functions that have already been set active.

**Activation:**



- press  (9)
- The LED over the button will turn on, to indicate that it has been activated

**Repeat the operation to deactivate.**



### ● Child Lock

The Child Lock makes it possible to prevent children from accidentally accessing the cooking zone and extraction zone, preventing the activation of any functions.

The Child Lock can only be activated when the product is on, but with the cooking zones (and extraction zone) off.

**Activation:**

- remove any pots from the hob


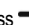
• simultaneously press and hold  (9) and  (10), an acoustic signal indicates that the function is active, and a "L" appears on display (13) and (14). **Repeat the operation to deactivate.**


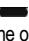
### ● Timer

The Timer function is a countdown, which can be set for each cooking zone (and extraction zone), even simultaneously.

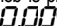
**Note:** the timer is a simple warning buzzer, which at the end of the set minutes **DOES NOT turn off the cooking zone**

**Activation/Regulation of hob Timer function**

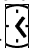
- Select the cooking zone (power 1 0).
- Press   (8) to access the Timer function
- Regulate the duration of the Timer:

press the selector  , to increase the automatic shut-down time  
press the selector  , to decrease the automatic shut-down time  
If desired, repeat the operation for the other cooking zones.


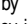
**Note:** Each cooking zone can have a different Timer set; on the display, (15), the countdown of the last selected hob will be shown for 10 seconds, after which the countdown with the least remaining time will be shown.

When the timer has finished the countdown, there is an acoustic signal (for 2 minutes, or it will stop when one of the buttons on the hob is pressed), while the display (15) will flash, with the symbol .

**Note:** on the side of the display of the cooking zone, the following



symbol will appear  (19)

**To switch off the Timer:**


- select the cooking zone
- set the value of the timer to  , by means of 

**Not:** the function remains active if no other key is pressed in the meantime.

### ● Egg Timer

The Egg Timer function is a countdown independent of the cooking zones (and the extraction zone). The Egg Timer is activated by pressing   (8) .

**Note :** to regulate the **Egg Timer** function, follow the same procedure as for the **Timer**-function.

When the timer has finished the countdown, there is an acoustic signal (for 2 minutes, or it will stop when one of the buttons on the hob is pressed), while the display (15) will flash, with the symbol .

### ● Pause

The Pause function allows to suspend any function active on the hob, bringing the cooking power to zero.

**Activation:**




- press  (10)
- a  is displayed (13).

**To deactivate the function:**

**Note :** this operation restores the hob settings to those prior to the pause.





- press  (10)
- within 10 seconds scroll to the right along the **Selection bar (3)**, relating to the **cooking zone 2 (FIG.19)**;

**Note** : if the operation is not performed within this time the pause function will remain active.

**Note**: if after 10 minutes, the **Pause Function** is not deactivated, the hob will turn off automatically.

### ● Recall

The Recall function allows to recover all the hob settings, in case of accidental shut-down.

#### Activation:

- turn the hob back on  within 6 seconds after shut-down



- press  within the next 6 seconds

### ● Automatic Heat UP

The Automatic Heat UP function allows to reach the set power faster; with this function it is possible to cook food faster, but without the risk of burning it, because the temperature does not exceed the set level.

This function is available for the levels of power 1 -8 .

#### Activation:

- press and hold, on the **Selection bar (3)**, the desired power
- a "F" is displayed (13).

## USING THE EXTRACTOR FAN

### ● Power-on

Press (touch)  **ON/OFF(1) hob/ extractor**

The indicator light will turn on to indicate that the hob/extractor is ready for use

Press again to turn off

**Note: This function has priority over the others.**

### ● Switching on the extractor fan:

Touch (press) the **Selection bar (6)** to activate the extractor fan

### ● Extraction speed (power):

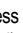

Touch and scroll along the **Selection bar (6)**:



to the right to increase the speed (power) of the extractor fan (0-4);

to the left to decrease the speed (power) of the extractor fan (4-0);

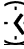
### ● Timer

**Activation/Regulation of Timer function for the extractor fan**

- Select the extractor fan (speed 1 0).
- Press   (8) to access the Timer function (from any speed)
- Regulate the duration of the Timer:


press the selector , to increase the automatic shut-down time  
press the selector , to decrease the automatic shut-down time  
the display (15) will show the countdown,

**Note**: on the side of the display of the extractor fan, with the Timer

in use, the following symbol will appear  (19)

When the timer has finished the countdown, there is an acoustic signal (for 2 minutes, or it will stop when one of the buttons on the hob is pressed), while the display (15) will flash, with the symbol "0.00".

#### To switch off the Timer:

- select the cooking zone
  - set the value of the timer to "0", by means of 
- Not**: the function remains active if no other key is pressed in the meantime.

### ● Filter saturation indicator


The hood indicates when filter maintenance is needed:

**Grease filter** the "FILTER" (17) LED lights up

**Activated carbon odour filter** the "FILTER" (17) LED flashes

### ● Reset filter saturation

After carrying out maintenance on the filters (grease and/or


activated carbon) hold down the  key;

the "FILTER" LED turns off and the count restarts.

### ● Activation of activated carbon odour filter saturation indicator

This indicator is normally deactivated.

To activate it, proceed as follows:

- turn on the aspiration hob by pressing ;
- with the aspiration motor and cooking zones off, press and hold



- "FILTER" turns on, then off to indicate successful activation.

### ● Deactivation of activated carbon odour filter saturation indicator

repeat the activation steps described above


"FILTER" flashes, then turns off to indicate successful deactivation.

### ● Automatic mode

The hood will turn on at the most suitable speed, adapting the extraction capacity to the maximum cooking level used in the cooking zone.

Once the hob is turned off, the hood adapts its aspiration speed, gradually decreasing it, so as to eliminate residual vapours and odours

To activate this function:

Briefly press  (7), the LED "(A)" (18) will light up to indicate that the hood is working in this mode.



### ● Open FLAP indicator

The suction area is equipped with a mechanical rotating FLAP. To activate the product you have to switch on the hood and open the flap. The hood is equipped with a sensor that, when the suction function is activated and with the FLAP completely closed, stops the motor automatically. The suction function restarts only when the FLAP is reopened.

- when switching on the fan, the motor does not start if the FLAP is closed: the LED "**OPEN**" (23) lights up, a long beep will be emitted every 5 seconds. the display (12) flashes

- if you close the FLAP when the motor is running, the latter stops: the LED "**OPEN**" (23) lights up, a long beep will be emitted every 5 seconds. the display (12) flashes

# Power tables

Temperature Manager		Description
	Melting	It identifies a suitable cooking level to slowly melt delicate products without compromising their sensory characteristics (chocolate, butter, etc.).
	Warming	It identifies a suitable cooking level to allow to delicately keep the food at the same temperature, without letting it boil.

Power level		Cooking type	Use of level (display combines the experience and cooking habits)
Max power	Boost	Heat quickly	Ideal to quickly increase the temperature of the food up to fast boiling in the case of water or quickly heat cooking liquids
	8-9	Fry - boil	Ideal for browning, starting to cook, frying frozen products, boiling rapidly
High power	7-8	Brown - fry - boil - grill	Ideal for frying, keeping the boil, cooking and grilling (for short times, 5-10 minutes)
	6-7	Brown - cook - stew - fry - grill	Ideal for frying, maintaining a simmer, cooking and grilling (for average times, 10-20 minutes), preheating accessories
Medium power	4-5	Cook - stew - fry - grill	Ideal for stewing, maintaining a light boil, cooking (for longer times). Stir pasta
	3-4	Cook - simmer - thicken - stir	Ideal for slow cooking (rice, sauces, roasts, fish) in the presence of liquid (e.g. water, wine, broth, milk), stirring pasta
	2-3	Cook - simmer - thicken - stir	Ideal for slow cooking (volume less than one litre: rice, sauces, roasts, fish) in the presence of liquid (e.g. water, wine, broth, milk)
Low power	1-2	Melt - thaw - keep warm - stir	Ideal for softening butter, gently melting chocolate, thawing small products
	1	Melt - thaw - keep warm - stir	Ideal for keeping small portions of freshly cooked food warm or keeping the temperature of serving dishes and stirring risotto
OFF	Zero power	Support surface	Hob in stand-by or off (possible presence of residual heat from the end of cooking, signalled by H-L-O)

# Cooking tables

Category of foods	Dishes or type of cooking	Power level and cooking pattern			
		First stage	Powers	Second stage	Powers
Pasta, rice	Fresh pasta	Heating water	Booster-9	Cooking pasta and maintaining the boil	7-8
	Fresh pasta	Heating water	Booster-9	Cooking pasta and maintaining the boil	7-8
	Boiled rice	Heating water	Booster-9	Cooking pasta and maintaining the boil	5-6
	Risotto	Frying and roasting	7-8	Cooking	4-5
Vegetables, legumes	Boiled	Heating water	Booster-9	Boiling	6-7
	Fried	Heating oil	9	Frying	8-9
	Sauté	Heating accessory	7-8	Cooking	6-7
	Stewed	Heating accessory	7-8	Cooking	3-4
	Fried	Heating accessory	7-8	Browning fried	7-8
Meats	Roast	Meat browning with oil (if with butter, power 6)	7-8	Cooking	3-4
	Grilled	Pre-heating pan	7-8	Grilling on both sides	7-8
	Browning	Browning with oil (if with butter, power 6)	7-8	Cooking	4-5
	Stew	Browning with oil (if with butter, power 6)	7-8	Cooking	3-4
Fish	Grilled	Pre-heating pan	7-8	Cooking	7-8
	Stew	Browning with oil (if with butter, power 6)	7-8	Cooking	3-4
	Fried	Heating oil or fat	8-9	Frying	7-8
Eggs	Omelettes	Heating pan with butter or fat	6	Cooking	6-7
	Omelettes	Heating pan with butter or fat	6	Cooking	5-6
	Soft boiled/boiled	Heating water	Booster-9	Cooking	5-6
	Pancakes	Heating pan with butter	6	Cooking	6-7
Sauces	Tomato	Browning with oil (if with butter, power 6)	6-7	Cooking	3-4
	Meat sauce	Browning with oil (if with butter, power 6)	6-7	Cooking	3-4
	Béchamel	Preparing the base (melt butter and flour)	5-6	Bring to simmering point	3-4
Desserts, creams	Custard	Boil the milk	4-5	Keep simmering	4-5
	Puddings	Boil the milk	4-5	Keep simmering	2-3
	Rice pudding	Heat the milk	5-6	Keep simmering	2-3

# User Servicing and Maintenance Instructions

## Hob maintenance

**Caution!** Before any cleaning or maintenance, make sure the cooking zones are switched off and the heat indicator has turned off.

## Cleaning

The hob must be cleaned after each use.

### **Important:**

Do not use abrasive sponges, scouring pads. Their use, over time, may ruin the glass.

Do not use chemical irritants, such as oven sprays or stain removers.

After each use, leave the hob to cool and clean it to remove deposits and stains caused by food residue.

Sugar or food with a high sugar content damages the hob and must be immediately removed.

Salt, sugar and sand may scratch the glass surface.

Use a soft cloth, paper towel or specific products to clean the hob (follow the Manufacturer's instructions).

**DO NOT USE STEAM JET CLEANERS!!!**

### **Important:**

If liquids accidentally or excessively leak out of the pots, the drain valve located on the lower part of the product can be opened so as to remove any residue and be able to clean in conditions of maximum hygiene.

### **Fig. 14**

For a more complete and in-depth clean, the lower tray can be completely removed.

**Fig. 14.1 → 14.5**

## Extractor fan maintenance

### Cleaning

For cleaning, use **ONLY** a cloth moistened with neutral liquid detergents. **DO NOT USE CLEANING UTENSILS OR TOOLS!**

Avoid the use of products containing abrasives.

**DO NOT USE ALCOHOL!**

## Grease Filter

### Grease filter

**Traps grease particles generated by cooking.**

Must be cleaned once per month (or when the filter saturation indication system indicates this need), with non-aggressive detergents, either manually or in the dishwasher at a low temperature and in a short cycle.

When cleaned in the dishwasher, the metal grease filter may discolour, but its filtering characteristics remain unchanged.

**Fig. 13 → 13.1**

## Charcoal Filter

### Activated Carbon Filter - Ceramic

**(Only for Filtration Version)**

**Traps unpleasant odours generated by cooking.**

The product is equipped with four filter packs that trap odours thanks to the activated carbons.

The activated carbons are incorporated into a ceramic structure, making them easily and completely accessible by impurities, thus creating a large absorption surface.


The **ceramic activated carbon filters** will become saturated after a more or less prolonged period of use, depending on the type of cooking and frequency with which the grease filters are cleaned.

These odour filters can be thermally regenerated every 2/3 months in an oven preheated to 200°C for 45 minutes.

Regeneration allows a maximum filter lifespan of 5 years.

**Fig. 15 → 15.12**

# Troubleshooting

INFORMATION CODE	DESCRIPTION	POSSIBLE CAUSES	SOLUTION
E2	The command zone switches off due to an excessively high temperature	The temperature inside the electronic parts is too high	Wait for the hob to cool before reusing it
ERR03 + acoustic signal  	Continuous (permanent) key activation is detected. The interface switches off after 10 seconds.	Water, pots or kitchen tools are on top of the user interface.	Clean the surface, remove any objects from the surface.
For all other error signals ( E ... U ... )	Call customer service and report the error code		

## Customer service

Before contacting Customer Service

1. Check that you cannot solve the problem yourself based on the points described in "Troubleshooting".
2. Switch the device off and on again to see if the problem resolves itself.

**If the fault persists after the above checks, contact the nearest Customer Service.**



**Induction hob:** ENS436BL

**Rated Voltage:** 120/208 V~

**Frequency:** 60 Hz

**Power consumption:** 7100 W

**Current consumption:** 35,7 A

**Number:** 1 piece.

**Made in Italy**

**Manufactured by:** Elica SPA

**Imported by :** ELICAMEX S.A. de C.V.

**Address:** Av. La Noria No. 102 int. S/N, Col. Parque Industrial Querétaro

Del. Santiago de Querétaro, C.P. 76220 Querétaro, R.F.C. EII060102RK8

# Warranty

## ***ELICA North America* TWO-YEARS LIMITED WARRANTY**

### **TO OBTAIN SERVICE UNDER WARRANTY**

Owner must present proof of original purchase date. Please keep a copy of your dated proof of purchase (sales slip) in order to obtain service under warranty.

### **PARTS AND SERVICE WARRANTY**

For the period of two (2) years from the date of the original purchase, Elica will provide free of charge, non consumable parts or components that failed due to manufacturing defects. During these two (2) years limited warranty, Elica will also provide free of charge, all labor and in-home service to replace any defective parts.

### **WHAT IS NOT COVERED**

- Damage or failure to the product caused by accident or act of God, such as, flood, fire or earthquake.
- Damage or failure caused by modification of the product or use of non-genuine parts.
- Damage or failure to the product caused during delivery, handling or installation.
- Damage or failure to the product caused by operator abuse.
- Damage or failure to the product caused by dwelling fuse replacement or resetting of circuit breakers.
- Damage or failure caused by use of product in a commercial application.
- Service trips to dwelling to provide use or installation guidance.
- Light bulbs, metal or carbon filters and any other consumable part.
- Normal wear of finish.
- Wear to finish due to operator abuse, improper maintenance, use of corrosive or abrasive cleaning products/pads and oven cleaner products.

### **WHO IS COVERED**

This warranty is extended to the original purchaser for products purchased for ordinary residential use in North America (Including the United States, Guam, Puerto Rico, US Virgin Islands & Canada).

This warranty is non-transferable and applies only to the original purchaser and does not extend to subsequent owners of the product. This warranty is made expressly in lieu of all other warranties, expressed or implied, including, but not limited to any implied warranty of merchantability or fitness for a particular purpose and all other obligations on the part of Elica North America, provided, however, that if the disclaimer of implied warranties is ineffective under applicable law, the duration of any implied warranty arising by operation of law shall be limited to two (2) years from the date of original purchase at retail or such longer period as may be required by applicable law.

This warranty does not cover any special, incidental and/or consequential damages, nor loss of profits, suffered by the original purchaser, its customers and/or the users of the Products.

### **WHO TO CONTACT**

To obtain service under Warranty or for any Service Related Question:

- Elica North America Authorized Service - (714) 428-0046
- [elica@servicepower.com](mailto:elica@servicepower.com)

# Sommaire

<b>Avis de sécurité important</b> .....	<b>29</b>
<b>Exigences électriques et exigences d'installation</b> .....	<b>35</b>
Exigences électriques .....	35
Avant d'installer .....	35
<b>Liste des pièces</b> .....	<b>36</b>
Pièces fournies .....	36
Pièces non fournies.....	36
<b>Dimensions et Dégagement</b> .....	<b>37</b>
<b>Utilisation</b> .....	<b>39</b>
Récipients pour la cuisson .....	39
Économie d'énergie.....	39
<b>Installation</b> .....	<b>40</b>
Préparation de la hotte pour l'installation: .....	40
<b>Description de la hotte et des commandes</b> .....	<b>42</b>
Commandes .....	43
Tableaux de puissance .....	48
Tableaux de cuisson .....	49
<b>Instructions pour l'entretien, utilisateur et la maintenance</b> .....	<b>50</b>
Nettoyage.....	50
Filtre à graisse.....	50
Filtres à charbon.....	50
Recherche des pannes .....	51
Service assistance.....	51
<b>Garantie</b> .....	<b>52</b>



# LISEZ CES INSTRUCTIONS ET CONSERVEZ-LES

## Avis de sécurité important

# CONSIGNES DE SÉCURITÉ POUR LE PLAN DE CUISSON

Nous avons fourni de nombreux messages de sécurité importants dans ce manuel et sur votre appareil. Toujours lire et se conformer à toutes les consignes de sécurité.



C'est le symbole d'une alerte de sécurité.

Ce symbole vous informe des dangers potentiels qui peuvent vous tuer ou vous blesser personnellement ainsi qu'à d'autres personnes.

Tous les messages de sécurité suivront le symbole d'alerte de sécurité et le mot "DANGER" ou "AVERTISSEMENT".

Ces mots signifient:

**⚠ DANGER**

**Vous pouvez être tué ou grièvement blessé si vous ne vous conformez pas immédiatement aux instructions suivantes**

**⚠ WARNING**

**Vous pouvez être tué ou grièvement blessé si vous ne vous conformez pas immédiatement aux instructions suivantes**

Tous les messages de sécurité vous indiquent quel est le risque potentiel, ainsi que comment réduire les risques de blessures et vous informe de ce qui peut arriver si les instructions ne sont pas suivies.

# CONSIGNES DE SÉCURITÉ IMPORTANTES

**ATTENTION:** Pour réduire le risque d'incendie, de choc électrique, de blessures corporelles ou de dommages lors de l'utilisation de la table de cuisson, prenez des précautions élémentaires, y compris les suivantes :

- **MISE EN GARDE :** Ne stockez pas d'articles intéressants pour les enfants dans les armoires au-dessus d'une table de cuisson - Les enfants qui grimpent sur la table de cuisson pour atteindre les objets pourraient être grièvement blessés.
  - Installation correcte : assurez-vous que votre table de cuisson est correctement installée et mise à la terre par un technicien qualifié.
  - N'utilisez jamais votre table de cuisson pour vous réchauffer ou réchauffer la pièce.
  - Ne laissez pas les enfants seuls - Les enfants ne doivent pas être laissés seuls et sans surveillance dans la zone où la table de cuisson est utilisée. Ils ne devraient jamais être autorisés à s'asseoir ou à se tenir sur une partie de la table de cuisson.
  - Portez un vêtement approprié - Des vêtements à manches ou lâches ne doivent jamais être portés lors de l'utilisation de la table de cuisson.
  - Entretien par l'utilisateur - Ne pas réparer ou remplacer une partie quelconque de la table de cuisson, sauf en cas de recommandations spécifiques dans ce manuel. Tout autre service doit être confié à un technicien qualifié.
  - Stockage sur la table de cuisson - Les matériaux inflammables ne doivent pas être stockés près des unités de surface.
  - Ne pas utiliser de l'eau sur les feux de graisse - Éteufez le feu ou la flamme ou utilisez un extincteur chimique ou un extincteur en mousse.
  - N'utilisez que des pochoirs secs - Des pochoirs humides ou humides sur des surfaces chaudes peuvent entraîner des brûlures de la vapeur. Ne laissez pas les pochoirs toucher les éléments chauffants lorsqu'ils sont chauds. N'utilisez pas de serviette ou autre chiffon volumineux.
  - **NE TOUCHEZ PAS LES UNITÉS DE SURFACE OU LES ZONES DE SURFACE PROCHE DES UNITÉS** - Les unités de surface peuvent être chaudes même si elles sont de couleur foncée. Les zones proches des unités de surface peuvent devenir suffisamment chaudes pour causer des brûlures. Pendant et après l'utilisation, ne touchez pas, ou laissez les vêtements ou d'autres matériaux inflammables entrer en contact avec des unités de surface ou des zones proches des unités jusqu'à ce qu'ils aient eu suffisamment de temps pour refroidir. Parmi ces zones se trouvent la table de cuisson et les surfaces situées face à la table de cuisson.
  - Utilisez une poêle de la taille appropriée - Cette table de cuisson est équipée d'une ou plusieurs unités de surface de taille différente. Sélectionnez les ustensiles ayant des fonds plats assez grands pour couvrir l'élément chauffant de l'unité de surface. Une bonne relation entre l'ustensile et le brûleur améliorera également l'efficacité.
  - Ne laissez jamais les unités de surface sans surveillance à des températures élevées programmées. Le débordement cause de la fume et des débordements graisseux qui peuvent prendre feu.
  - Ustensiles de cuisine vitrés - Seuls certains types de verre, vitrocéramique, de céramique, de faïence ou d'autres ustensiles vitrés conviennent au service de la table de cuisson sans se briser en raison de la brusque variation de température.
  - Les poignées d'ustensile doivent être tournées vers l'intérieur et ne pas s'étendre sur les unités de surface adjacentes. Pour réduire le risque de brûlures, l'allumage de matériaux inflammables et les déversements causés par un contact involontaire avec l'ustensile, la poignée d'un ustensile doit être positionnée de manière à être tournée vers l'intérieur et ne pas encombrer les unités de surface adjacentes.
  - Ne pas faire de cuisine sur une surface de cuisson cassée. Si la surface de cuisson se casse, les produits de nettoyage et les déversements peuvent pénétrer la surface du cuisson cassé et causer un risque de choc électrique. Contacter un technicien qualifié immédiatement.
  - Nettoyer la surface de cuisson avec précautions. Si on utilise une éponge ou un chiffon mouillé pour nettoyer les déversements sur une surface chaude, faites attention de ne pas vous brûler avec la vapeur. Il y a des produits pour nettoyer qui peuvent produire des vapeurs nocives s'ils sont appliqués sur une surface chaude.
  - Ne pas poser des objets métalliques, tels que couteaux, fourchettes, cuillères et couvercles sur la surface du plan de cuisson car ils pourraient s'échauffer.
- Pour les unités avec hotte aspirante -**
- Nettoyez les hottes de ventilation fréquemment - La graisse ne doit pas s'accumuler sur la hotte ou le filtre.
  - Lorsque les aliments enflammés se trouvent sous le capot, allumez le ventilateur.
- Pour les unités avec éléments de bobine -**
- Assurez-vous que les cuvettes ramasse-goutte sont en place - L'absence de ces ustensiles pendant la cuisson peut risquer d'endommager les câbles ou les composants en dessous.
  - Revêtements protecteurs - Ne pas utiliser de papier d'aluminium pour recouvrir l'unité les cuvettes ramasse-goutte, à l'exception de ce qui est suggéré dans le manuel. L'installation incorrecte de ces revêtements peuvent entraîner un risque de choc électrique ou d'incendie.
  - Ne pas tremper les éléments de chauffage amovibles - Les éléments de chauffage ne doivent jamais être immergés dans l'eau.

## CONSERVEZ CES INSTRUCTIONS

Cette table de cuisson à induction génère et utilise une énergie de fréquence ISM qui chauffe les ustensiles de cuisine en utilisant un champ électromagnétique. Il a été testé et est conforme à la partie 18 des règles FCC pour les équipements ISM. Cette plaque de cuisson à induction répond aux exigences de la FCC pour minimiser les interférences avec d'autres appareils dans l'installation résidentielle.

Cette plaque de cuisson à induction peut causer des interférences avec la télévision ou la radio. En cas d'interférence, l'utilisateur doit essayer de corriger l'interférence en :

- déplaçant l'antenne de réception de la radio ou du téléviseur ;
- augmentant la distance entre la table de cuisson et le récepteur ;
- reliant le récepteur dans une sortie différente.

Il incombe à l'utilisateur de corriger toute interférence.

**REMARQUE :** Les porteurs d'un stimulateur cardiaque ou d'un dispositif médical similaire devraient être prudents lorsqu'ils sont debout près de cette plaque de cuisson à induction pendant qu'elle est allumée. Le champ électromagnétique peut affecter le stimulateur cardiaque ou un dispositif similaire. Informez votre médecin ou le fabricant du stimulateur cardiaque ou un dispositif médical similaire pour plus d'informations sur les effets des champs électromagnétiques de la plaque de cuisson à induction.

Attention! Suivre attentivement les instructions ci-dessous :

- L'appareil doit être déconnecté de l'alimentation électrique avant d'effectuer tout travail d'installation.

- L'installation et l'entretien doivent être effectués par un technicien qualifié, conformément aux instructions du fabricant et dans le respect des réglementations locales en matière de sécurité. Ne pas réparer ou remplacer toute pièce de l'appareil si ce n'est pas spécifiquement demandé dans le manuel d'utilisation.

- La mise à la terre de l'appareil est obligatoire.

- Ne pas utiliser de prises multiples ou des rallonges.

- Une fois l'installation terminée, les composants électriques ne devront plus être accessibles par l'utilisateur.

- L'équipement et les parties accessibles deviennent très chauds pendant l'utilisation. Faire attention à ne pas toucher les éléments chauffants.

- Faire attention à ce que les enfants ne jouent pas avec l'appareil; garder les enfants à distance et les surveiller, parce que les parties accessibles peuvent devenir très chaudes pendant l'utilisation.

- Pour les porteurs de stimulateurs cardiaques et d'implants actifs, il est important de vérifier, avant d'utiliser le plan à induction, que le stimulateur est compatible avec l'appareil.

- Pendant et après l'utilisation, ne pas

toucher les éléments chauffants de l'appareil.

- Éviter le contact avec des chiffons ou autres matériaux inflammables jusqu'à ce que tous les composants de l'appareil ne soient suffisamment refroidis.

- Ne pas placer de matériaux inflammables sur l'appareil ou à proximité.

- Les graisses et les huiles chaudes peuvent facilement prendre feu. Surveiller la cuisson des aliments riches en graisse et huile.

- Si la surface est fêlée, éteindre l'appareil pour éviter la possibilité de décharge électrique.

- L'appareil n'est pas destiné à être mis en fonction au moyen d'une minuterie externe ou bien d'un système de commande à distance séparé.

- La cuisson sans surveillance sur un plan de cuisson avec de l'huile ou de la graisse peut être dangereuse et provoquer un incendie.

- Le processus de cuisson doit être surveillé. Un processus de cuisson à court terme doit être surveillé en permanence.

- Ne JAMAIS essayer d'éteindre les flammes avec de l'eau. Au lieu de cela, éteindre l'appareil et étouffer les flammes, par exemple avec un couvercle ou une couverture anti-feu. Risque d'incendie : ne pas placer d'objets sur les surfaces de cuisson.

- Ne pas utiliser de nettoyeurs à vapeur.

- Avant de raccorder le modèle au circuit électrique : contrôler la plaque signalétique

(sur le fond de l'appareil) pour s'assurer que la tension et la puissance correspondent à celles du circuit et que la prise de branchement soit adaptée. En cas de doute, appeler un électricien qualifié.

### **Important :**

- Après utilisation, éteindre le plan de cuisson à travers son dispositif de commande et ne pas faire confiance au détecteur de casseroles.
  - Éviter de renverser du liquide, donc pour bouillir ou chauffer des liquides, réduire l'apport de chaleur.
  - Ne pas laisser les éléments chauffants allumés avec des casseroles et des poêles vides ou sans récipients.
  - Lorsque la cuisson est terminée, éteindre la zone relative.
  - Lors de la cuisson, ne jamais utiliser des feuilles d'aluminium, ou ne jamais poser directement des produits emballés avec de l'aluminium. L'aluminium fondrait et endommagerait irrémédiablement votre appareil.
  - Ne jamais chauffer une boîte ou une boîte de conserve contenant des aliments sans l'ouvrir : elle risque d'exploser!
- Cette mise en garde vaut pour tous les autres types de plans de cuisson.
- L'utilisation d'une grande puissance comme la fonction Booster ne convient pas pour le chauffage de liquides tel que l'huile de friture. Une chaleur

excessive pourrait être dangereuse. Dans ces cas, nous recommandons l'utilisation d'une puissance inférieure.

- Les récipients doivent être placés directement sur le plan de cuisson et doivent être centrés. En aucun cas, il ne faut insérer quelque chose entre la casserole et la plaque de cuisson.
- Dans le cas de températures élevées, l'appareil diminue automatiquement le niveau de puissance de la zone de cuisson.

Avant toute opération de nettoyage ou d'entretien, débrancher le produit du circuit en enlevant la fiche ou par l'interrupteur général de la maison. Utiliser des gants de travail pour toutes les opérations d'installation et d'entretien. L'appareil peut être utilisé par des enfants de plus de 8 ans et par des personnes aux capacités physiques, sensorielles ou mentales réduites, ou sans l'expérience ni les connaissances nécessaires, à condition d'être surveillés ou d'avoir reçu les instructions relatives à l'utilisation sûre de l'appareil et à la compréhension des risques inhérents. Les enfants doivent être contrôlés pour s'assurer qu'ils ne jouent pas avec l'appareil. Le nettoyage et l'entretien ne doivent pas être effectués par des enfants sans surveillance. La pièce doit être suffisamment aérée quand la hotte de cuisine est utilisée simultanément aux autres appareils de combustion au gaz ou autres combustibles.

La hotte doit être régulièrement nettoyée à l'intérieur et à l'extérieur (AU MOINS UNE FOIS PAR MOIS), respecter les instructions pour l'entretien.

Le non-respect des normes de nettoyage de la hotte et du filtre (ainsi que son remplacement) comporte des risques d'incendies.

Il est strictement interdit de flamber les aliments.

L'utilisation d'une flamme nue peut endommager les filtres et provoquer des incendies et doit donc être évitée.

La friture doit être surveillée afin d'éviter que l'huile ne prenne feu.

ATTENTION : Quand la plaque de cuisson est en marche les pièces accessibles de la hotte peuvent chauffer.

**Attention!** Il ne faut jamais brancher l'appareil au circuit électrique tant que l'installation n'a pas été complétée.

En ce qui concerne les mesures techniques et de sécurité à adopter pour l'évacuation des fumées, respecter étroitement les règlements des autorités locales compétentes.

L'air aspiré ne doit pas être convoyé vers le conduit destiné à l'évacuation des fumées des appareils à combustion au gaz ou autres combustibles.

Il ne faut jamais utiliser la hotte sans la grille !

Utiliser seulement les vis de fixation fournies avec le produit ou, si elles ne sont pas comprises, acheter les bonnes vis. Utiliser des vis de la longueur indiquée dans la notice.

Quand la hotte de cuisine et les appareils non alimentés par l'énergie électrique sont en marche simultanément, la pression négative dans la pièce ne doit pas dépasser 4 Pa ( $4 \times 10^{-5}$  bar).

Il est important de conserver ce manuel pour pouvoir le consulter à tout moment. En cas de vente, de cession ou de déplacement, s'assurer qu'il reste avec le produit.

# Exigences électriques et exigences d'installation

## Exigences électriques

Fig. 2

- Débrancher l'appareil du circuit électrique
- L'installation doit être effectuée par du personnel qualifié, familiarisé avec les normes applicables en matière d'installation et de sécurité.
- Le fabricant décline toute responsabilité pour les personnes, les animaux ou les biens dans le cas de non-respect des directives fournies dans ce chapitre.
- S'assurer que la tension sur la plaque signalétique sur le fond de l'appareil correspond à celle de la maison où il sera installé.
- Ne pas utiliser de rallonges.
- La mise à la terre de l'appareil est obligatoire.

### IMPORTANT

Respectez tous les codes et les ordonnances en vigueur.

Le client a la responsabilité de :

Contactez un électricien-installateur.

Vérifier que l'installation électrique est adéquate et conforme avec le Code national de l'électricité, ANSI/NFPA 70 (la plus récente édition\*), ou les normes C22.1-94, Code canadien de l'électricité, Partie 1 et C22.2 No.0-M91 (La plus récente édition\*\*) de la CSA, ainsi que tous les codes et les ordonnances de votre région.

Si le code le permet et que vous utilisez un fil de mise à la terre distinct, il est recommandé de faire vérifier le chemin du fil par un électricien.

Ne pas mettre l'appareil à la terre sur une conduite de gaz.

Consultez un électricien qualifié si vous n'êtes pas certain que la hotte est mise à la terre correctement.

N'installez pas un fusible dans le circuit neutre ou le circuit de mise à la terre.

### IMPORTANT

Conservez ces instructions afin de pouvoir les remettre à l'inspecteur-électricien. Il faut raccorder l'appareil directement à une boîte à fusible ou à un disjoncteur par l'entremise d'une canalisation électrique en métal.

Le calibre de fil doit être conforme aux exigences du Code national de l'électricité, ANSI/NFPA 70 (La plus récente édition\*), ou les normes C22.1-94, Code canadien de

l'électricité, Partie 1 et C22.2 0-M91 (La plus récente édition\*\*) de la CSA, ainsi que tous les codes et les ordonnances de votre région.

Il faut prévoir un connecteur de canalisation approuvé par l'UL ou la CSA à chaque extrémité de la canalisation d'alimentation (À l'appareil et à la boîte de jonction).

Vous pouvez obtenir un exemplaire des normes indiquées en vous adressant à :

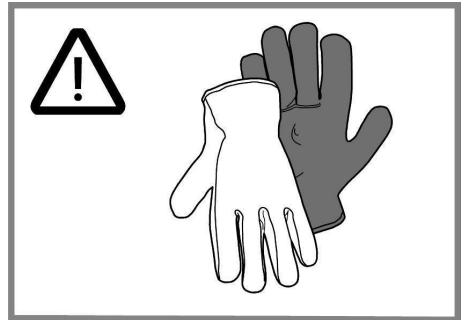
\* La National Fire Protection Association, Batterymarch Park Quincy, Massachusetts, 02269

\*\* La CSA International, 8501 East Pleasant Valley Road, Cleveland, Ohio, 44131-5575

## Avant d'installer

Deux personnes sont nécessaires pour effectuer l'installation.

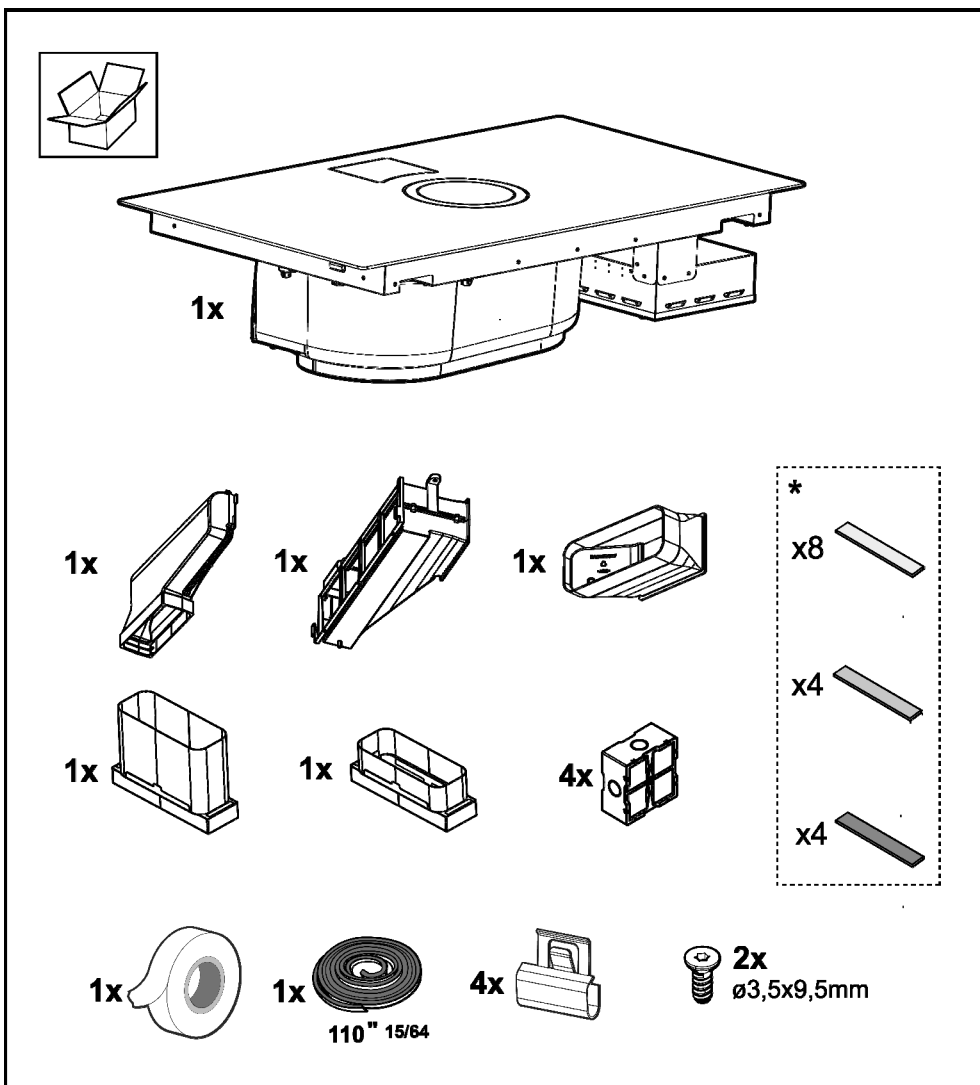
Porter des gants pour se protéger des bords coupants



L'air ne doit pas être évacué par un mur, un plafond ou un espace caché de construction. Afin d'éliminer le risque de brûlures ou d'incendie en raison de surfaces surchauffées, évitez de placer les unités de surface sous les armoires de rangement. Si les armoires de rangement sont nécessaires, vous pouvez réduire les risques en installant une hotte de ventilation pour projeter horizontalement un minimum de 5 po au-dessus du bas des armoires.

# Liste des pièces

## Pièces fournies

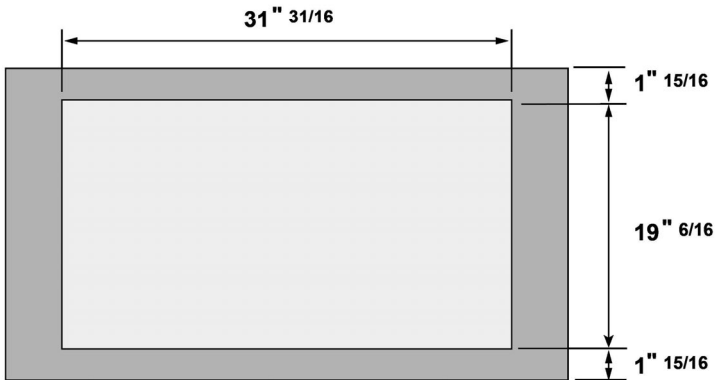
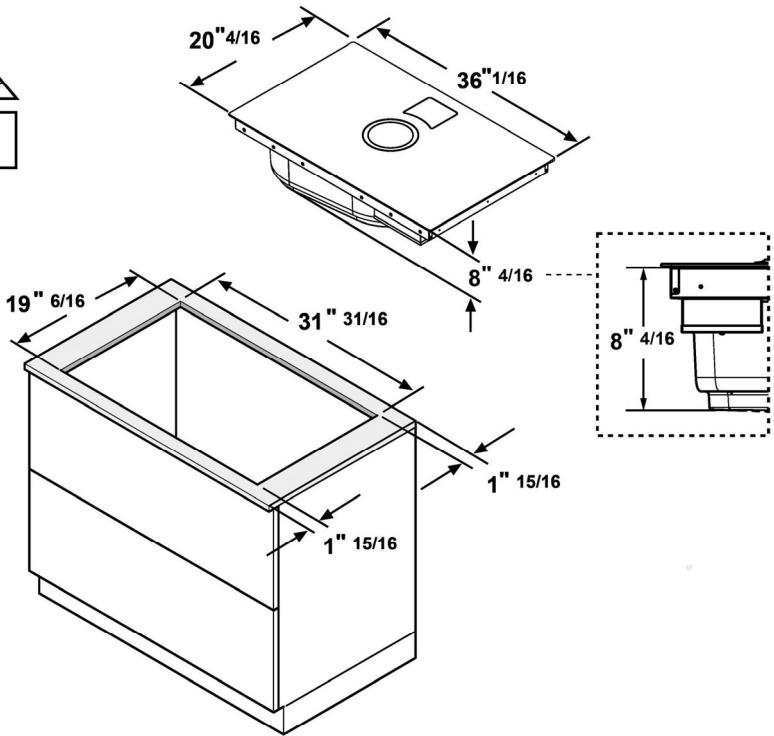
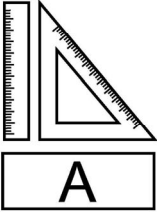


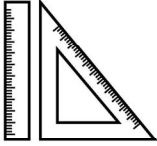
## Pièces non fournies

- Conduit, canalisation et tous les outils nécessaires à l'installation.

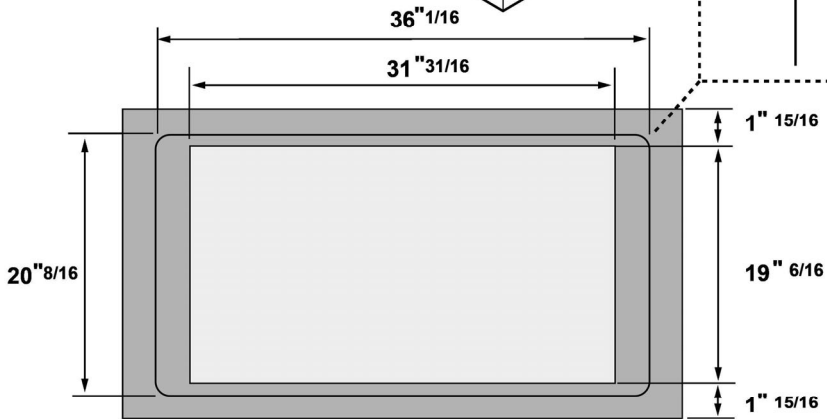
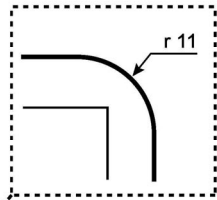
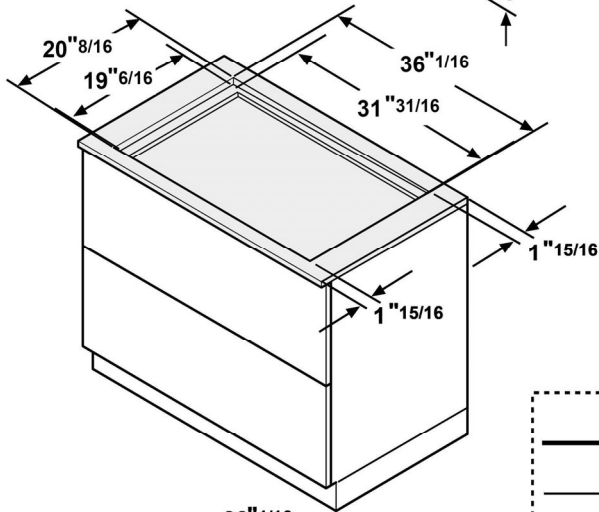
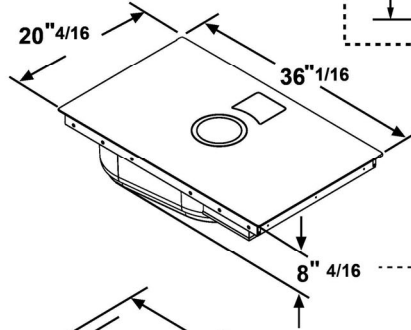
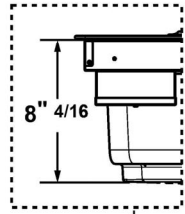


# Dimensions et Dégagement





**B**



# Utilisation

Le système de cuisson à induction est basé sur le phénomène physique de l'induction magnétique. La principale caractéristique de ce système est le transfert direct de l'énergie du générateur à la casserole.

## Avantages :

Si l'on compare avec les plans de cuisson électriques, votre plan à induction est :

- **Plus sûr** : température inférieure à la surface du verre.
- **Plus rapide** : temps de chauffe des aliments inférieurs.
- **Plus précis** : le plan réagit instantanément à vos commandes
- **Plus efficace** : 90 % de l'énergie absorbée est transformée en chaleur. En outre, une fois enlevée la casserole, la transmission de chaleur est immédiatement interrompue, en évitant une perte de chaleur inutile.

## Récipients pour la cuisson



Utiliser uniquement des casseroles portant le symbole

### Important :

pour éviter des dommages permanents à la surface du plan, ne pas utiliser :

- des récipients avec fond non parfaitement plat.
- des récipients en métal avec fond émaillé.
- des récipients avec une surface rugueuse, pour éviter de rayer la surface du plan.
- ne jamais poser des casseroles et des poêles chaudes sur la surface du panneau de contrôle du plan

## Récipients préexistants

La cuisson à induction utilise le magnétisme pour générer de la chaleur. Les récipients doivent donc contenir du fer. Vous pouvez vérifier si le matériau de la casserole est magnétique avec un simple aimant. Les casseroles ne sont pas appropriées si elles ne sont pas détectables magnétiquement.

## Diamètres fonds de casseroles conseillés

**IMPORTANT : si les casseroles ne sont pas de la bonne taille, les zones de cuisson ne s'allument pas**

Pour connaître le diamètre minimal de la casserole à utiliser pour chaque zone, consulter la partie illustrée de ce manuel.

## Économie d'énergie

Pour de meilleurs résultats, nous recommandons de :

- Utiliser des ustensiles de cuisson d'un diamètre égal à celui de la zone de cuisson.
- Utiliser uniquement des poêles et des casseroles à fond plat.
- Si possible, laisser le couvercle sur la casserole pendant la cuisson
- Cuire les légumes, pommes de terre, etc. avec une petite quantité d'eau afin de réduire le temps de cuisson.
- Utiliser un autocuiseur, il réduit encore la consommation d'énergie et le temps de cuisson
- Placer la casserole au centre de la zone de cuisson tracée sur le plan.

# Installation

**L'installation tant électrique que mécanique, doit être effectuée par du personnel qualifié.**

L'appareil électroménager est conçu pour être encastré dans un plan de travail de 2 à 6 cm d'épaisseur pour les installations TOP et 2,5 à 6 cm pour les installations FLUSH.

La distance minimum entre la plaque de cuisson et le mur doit être d'au moins 5 cm de front, 4 cm sur les côtés et 50 cm par rapports aux éléments suspendus.

**NB = Les distances suggérées sont fournies à titre d'exemple : respecter, dans la conception des espaces, les consignes du fabricant de la cuisine.**

## Préparation de la hotte pour l'installation:

**Avant de commencer l'installation :**

- Après le déballage et vérification que le produit n'a pas été endommagé pendant le transport, en cas de problème, contactez votre revendeur ou le service clientèle, avant de procéder à l'installation.
- Vérifier que le produit acheté est d'une taille appropriée pour la zone d'installation choisie.
- S'assurer qu'à l'intérieur de l'emballage il n'y a pas (à des fins d'expédition) de matériel accessoire (tels que des enveloppes avec des vis, des garanties, etc.), il doit être éventuellement enlevé et conservé.
- Vérifier en plus que près de la zone d'installation il y ait une prise électrique disponible.

**Prédisposition du meuble pour l'encastrement :**

- Le produit ne peut être installé au-dessus des dispositifs de refroidissement, lave-vaisselle, poêles, fours, lave-linge et sèche-linge.
- Effectuer tous les travaux de découpe du meuble avant d'insérer le plan de cuisson et retirer soigneusement les copeaux ou les résidus de sciure.

**ATTENTION !** La non-installation de vis et fixations conformément à ces instructions peut entraîner des risques électriques.

**Remarque :** nous conseillons, pour installer correctement le produit, recouvrir les tuyaux d'un ruban ayant les caractéristiques suivantes :

- film élastique en PVC souple, avec adhésif à base d'acrylate
- conforme à la norme DIN EN 60454
- retardateur de flamme
- résistance optimale au vieillissement
- résistance aux écarts de températures
- utilisable aux basses températures

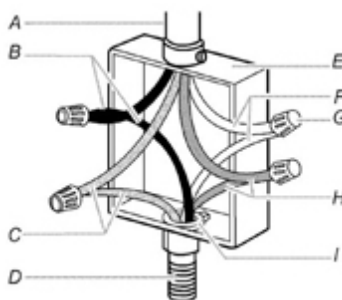
**IMPORTANT :** utiliser un joint de finition monocomposant (S), résistant aux températures jusqu'à 250° ; avant l'installation, nettoyer soigneusement les surfaces à coller en éliminant les substances pouvant compromettre l'adhésion

(ex.: agents anti-adhésifs, conservants, graisses, huiles, poussière, résidus de colle, etc.); le joint doit être distribué uniformément sur tout le cadre; après la pose, laisser sécher le joint environ 24 heures.

**Fig. 1b**

## Câble à 4 fils de l'alimentation domestique au câble à 4 fils de la surface de la cuisinière

**IMPORTANT :** Utilisez le câble à 4 fils de l'alimentation domestique aux États-Unis lorsque les codes locaux ne permettent pas la mise à la terre dans les maisons et les véhicules récréatifs, les nouvelles constructions et au Canada.



- A.** Câble de l'alimentation domiciliaire
- B.** Fils noirs
- C.** Fils de mise à la terre verts ou jaunes-verts
- D.** câble à 4 fils à partir de la cuisinière
- E.** Boîtier de jonction
- F.** Fils blancs
- G.** connecteur fil conforme UL
- H.** Fils rouges
- I.** connecteur de conducteur conforme UL ou homologué par CSA

1. Connectez les 2 fils noirs ensemble avec les connecteurs de fils conformes UL
2. Connectez les 2 fils rouges ensemble avec les connecteurs de fils conformes UL

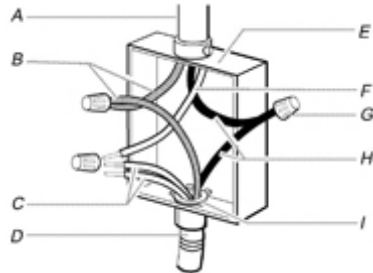
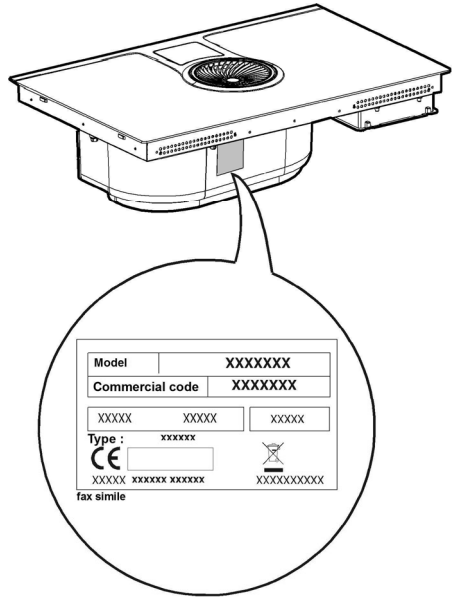
3. Connectez les 2 fils blancs ensemble avec les connecteurs de fils conformes UL

4. Connectez le fil de mise à terre verte (ou jaune-vert) du câble de la table de cuisson au fil de terre vert (ou jaune-vert) (dans la boîte de jonction) à l'aide des connecteurs de fils approuvés UL

5. Installez le couvercle de la boîte de jonction.

**Câble à 3 fils de l'alimentation domestique au câble à 4 fils de la cuisinière - États-Unis uniquement**

**IMPORTANT :** Utilisez le câble à 3 fils de l'alimentation domestique lorsque les codes locaux permettent de connecter le conducteur de mise à la terre à la boîte de jonction (blanche) neutre.



A. Câble de l'alimentation domiciliaire

B. Fils rouges

C. Fil blanc et vert (ou jaune vert) (de la cuisinière)

D. câble à 4 fils à partir de la cuisinière

E. Boîtier de jonction

F. Fils blancs

G. connecteur fil conforme UL

H. Fils noirs

I. connecteur de conducteur conforme UL ou homologué par CSA

1. Connectez les 2 fils noirs ensemble avec les connecteurs de fils conformes UL

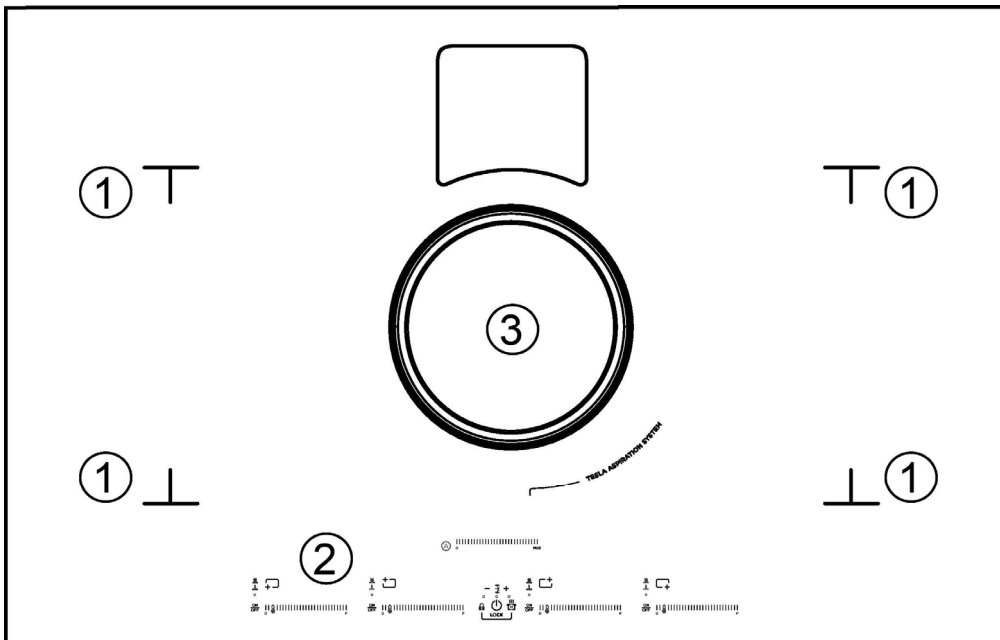
2. Connectez les 2 fils rouges ensemble avec les connecteurs de fils conformes UL

3. Connectez le câble vert (ou jaune-vert) et blanc de cuisinière au fil blanc (neutre) du boîtier de jonction à l'aide des connecteurs de fils conformes UL

4. Installez le couvercle de la boîte de jonction.

**Sequences installation - pag.79**

## Description de la hotte et des commandes

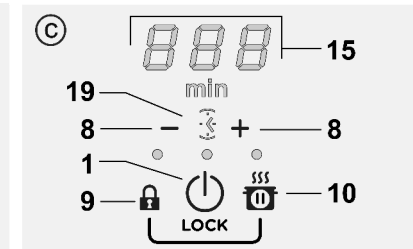
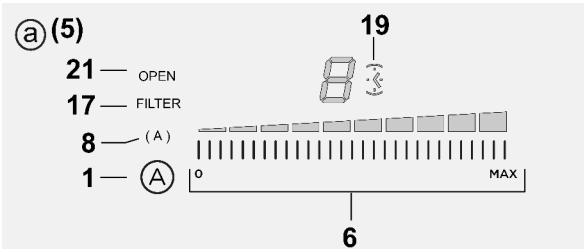
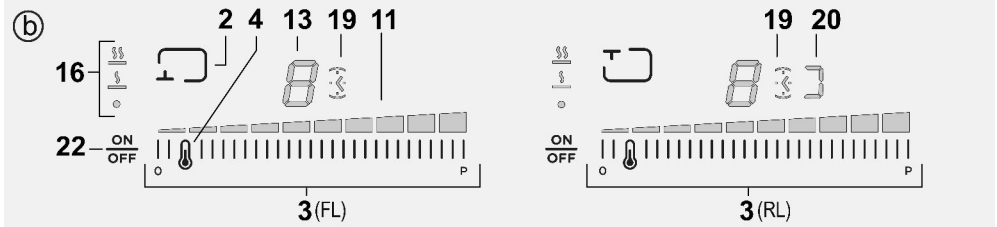
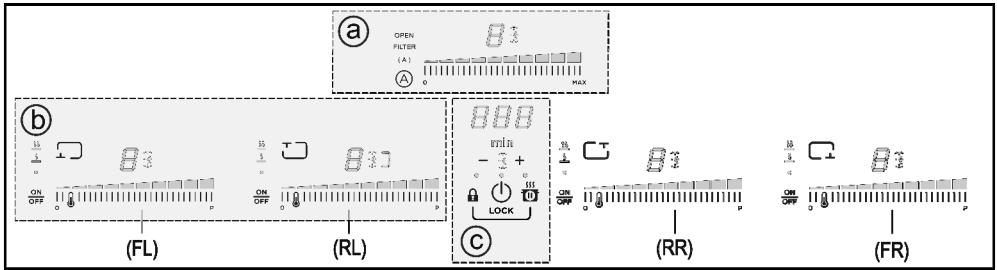


- 1 - Affichage zones
- 2 - Panneau de commande
- 3 - Aspirateur

# Commandes

## Panneau de contrôle

**Remarque :** Pour sélectionner les commandes, il suffit d'effleurer (appuyer sur) les symboles qui les représentent.



### Touches

### Afficheur / LED

1. **ON/OFF** de la plaque de cuisson/aspirateur pour plan de cuisson
2. Voyant de position de la zone de cuisson
3. Sélection des zones de cuisson  
Augmenter/Diminuer Power Level
4. Activation Temperature Manager
5. Touches aspirateur
6. Sélection aspirateur  
Augmenter/Diminuer vitesse (puissance) d'aspiration
7. Activation des fonctions automatiques  
Réinitialiser saturation filtres
8. Activer Timer  
Augmenter/Diminuer temps Timer
9. Key Lock
- 9+10. Child Lock
10. Pause / Recall
22. **ON/OFF** zones de cuisson

11. Afficher Power Level
12. Afficher vitesse (puissance) d'aspiration
13. Affichage zone de cuisson
14. Affichage aspirateur
15. Affichage Timer
16. Affichage Temperature Manager
17. Voyant assistance filtres
18. Voyant fonction d'aspiration automatique
19. Voyant Timer activé
20. Voyant Bridge active
21. Indicateur FLAP (VOLET)

## UTILISATION DE LA PLAQUE DE CUISSON


### À savoir avant de commencer :

Toutes les fonctions de ce plan de cuisson sont conçues dans le but de se conformer aux normes de sécurité les plus strictes.

Pour cette raison :

• **Certaines fonctions ne s'activent pas, ou s'éteignent automatiquement en l'absence de casseroles sur les foyers, ou quand elles sont mal placées.**

• Dans d'autres cas, les fonctions activées se désactivent automatiquement après quelques secondes lorsque la fonction sélectionnée nécessite un autre réglage qui n'est pas donné (par exemple: "**Allumer le plan de cuisson**" sans "**Sélectionner la zone de cuisson**" et la "**Température de fonctionnement**", ou bien la "**Fonction Lock**" ou celle "**Timer**").

 **Attention!** Dans le cas (par exemple) d'utilisation prolongée, la coupure de la zone de cuisson pourrait ne pas être immédiate, car en phase de refroidissement le symbole "**H**" apparaît sur l'écran pour indiquer ce stade de fonctionnement.

Attendre que l'affichage se coupe avant de s'approcher de la zone de cuisson.

### Affichage zone de cuisson

dans les affichages relatifs aux zones de cuisson, apparaît :

Zone de cuisson allumée	<b>O</b>
Power Level	<b>1...9-P</b>
Residual Heat Indicator	<b>H</b>
Pot Detector	<b>U</b> <b>-</b>
Fonction Temperature Manager activée	<b>U</b>
Fonction Child Lock activée	<b>L</b>
Fonction Pause	<b>  </b>
Fonction Automatic Heat UP	<b>A</b>

## Caractéristiques de la plaque

### ● **Safe Activation**

Le produit s'active uniquement en présence de casseroles sur les zones de cuisson : le processus de chauffe ne se déclenche pas sans casseroles et s'arrête en les enlevant.

### ● **Pot Detector**

L'appareil détecte automatiquement la présence de casseroles sur les zones de cuisson.

### ● **Safety Shut Down**

Pour des raisons de sécurité, chaque zone est dotée d'un temps de fonctionnement maximal qui dépend du niveau de puissance programmé.

### ● **Residual Heat Indicator**

À l'extinction d'une ou plusieurs zones de cuisson, la présence de chaleur résiduelle est signalée par le symbole de la zone qui s'éclaire sur l'afficheur "**H**".

## Fonctionnement

**Remarque :** Pour activer une quelconque fonction, il faut d'abord activer la zone souhaitée.

### ● **Allumage**

Appuyer sur (effleurer)  **ON/OFF(1) de la plaque de cuisson/ aspirateur**

Le voyant s'éclaire pour signaler que la plaque de cuisson/aspirateur est prêt(e) à l'emploi.

Appuyer de nouveau pour éteindre.

**Remarque : Cette fonction a la priorité sur toutes les autres.**

### ● **Sélection des zones de cuisson**

Effleurer ON/OFF(22), appuyer sur la **Barre de sélection (3)** correspondant à la zone de cuisson souhaitée.

### ● **9 Power Level**

La plaque est équipée de 9 niveaux de puissance :

Effleurer et glisser le doigt le long de la **Barre de sélection (3)**:

vers la droite pour augmenter le niveau de puissance;  
vers la gauche pour diminuer le niveau de puissance;

### ● **Power Booster**

Le produit est doté d'un niveau de puissance supplémentaire (au-delà du niveau **9**), qui reste activé 10 minutes, passé ce délai la puissance revient au niveau précédemment utilisé.

Effleurer et glisser le doigt le long de la **Barre de sélection (3)** (au-delà du niveau **9**) et activer Power Booster

Le niveau Power Booster est signalé sur l'afficheur de la zone sélectionnée avec le symbole "**P**"



## ● Bridge Zones

Les zones de cuisson grâce à la fonction Bridge sont en mesure de fonctionner en mode combiné créant ainsi une seule zone au même niveau de puissance. Cette fonction permet de cuire de manière homogène les grands plats / casseroles.


Il est possible d'utiliser (en mode combiné) la zone de cuisson frontale "Master" avec la zone correspondante derrière "Secondaire"

(pour vérifier les zones concernées par cette fonction, consulter la partie illustrée de ce manuel).

### Pour activer la Fonction Bridge:

- sélectionner simultanément les deux zones de cuisson à utiliser

- le voyant Bridge (20) de la zone de cuisson

"Secondaire" s'éclaire 


- la Barre de sélection (3) de la zone de cuisson "Master" permet de programmer le niveau (puissance) de fonctionnement





- pour désactiver la Fonction Bridge il suffit de répéter la même procédure d'activation

## ● Temperature Manager

La fonction Temperature Manager permet de régler la température prédéfinie, la plus appropriée, pour obtenir le résultat souhaité (consulter le tableau Temperature Manager à la fin de ce chapitre).

Sélectionner la zone de cuisson souhaitée.

• Appuyer une ou plusieurs fois sur  (4) pour sélectionner le niveau disponible le plus approprié :


	Melting*	
	Warming*	
* Consulter le tableau Temperature Manager à la fin de ce chapitre.		

• Appuyer encore une fois pour éteindre.  
L'afficheur de la zone de cuisson actionnée en mode Temperature Manager indique le symbole "L"

## ● Key Lock

La fonction Key Lock permet de bloquer les configurations de la plaque pour empêcher les manipulations accidentelles tout en laissant les fonctions déjà configurées actives.

**Activation :**

• appuyer sur  (9)  
• la LED située au dessus de la touche s'éclaire pour signaler l'activation

**Répéter l'opération pour désactiver.**

## ● Child Lock

La fonction Child Lock permet d'éviter que les enfants ne puissent accidentellement allumer les zones de cuisson et la zone aspirante car elle bloque toutes les fonctions.

La fonction Child Lock peut être activée seulement quand l'appareil est éclairé et les zones de cuisson (et la zone aspirante) sont éteintes.

**Activation :**

• enlever les casseroles éventuellement présentes sur la plaque de cuisson  
• appuyer sur et maintenir et maintenir enfoncées

simultanément les touches  (9) et la  (10), un signal sonore indique que la fonction est activée et "L" apparaît sur les afficheurs(13) et (14).


**Répéter l'opération pour désactiver.**


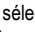
## ● Timer

La fonction Timer est un compte à rebours qui peut être programmé (même simultanément) sur chaque zone de cuisson (et sur la zone aspirante).

**Nota :** le timer est un simple signal sonore, qui une fois les minutes programmées passé N'interrompera pas le fonctionnement de la zone de cuisson

**Activation/Réglage de la fonction Timer pour la plaque de cuisson**

• Sélectionner la zone de cuisson (puissance 1 0).  
• Appuyer sur  (8) pour accéder à la fonction Timer  
• Régler la durée du Timer:


appuyer sur le sélecteur , pour augmenter le temps d'extinction automatique  
appuyer sur le sélecteur , pour diminuer le temps d'extinction automatique

Si vous le souhaitez, répéter l'opération pour les autres zones de cuisson.


**Remarque :** Chaque zone peut avoir un Timer différent; sur l'afficheur(15) apparaîtra (pendant 10 secondes), le compte à rebours de la dernière zone de cuisson sélectionnée suivi du compte à rebours le moins long.

Dès que le timer a terminé le compte à rebours, un signal sonore se déclenche (pendant 2 minutes ou s'arrête en appuyant sur une quelconque touche, alors que l'afficheur (15) clignote, avec le symbole "0.00".

**Remarque :** à côté de la zone de cuisson, lorsque le Timer

est actionné, apparaît le symbole  (19)

**Pour couper le Timer :**

• Sélectionner la zone de cuisson.  
• programmer la valeur du timer à "0", avec 

**Remarque :** la fonction reste active si l'on n'appuie pas, entre-temps, sur d'autres touches.

### ● Egg Timer

La fonction Egg Timer est un compte à rebours séparé des zones de cuisson (et de la zone aspirante). La fonction Egg Timer s'active en appuyant sur **— + (8)**.

**Remarque :** pour régler la fonction **Egg Timer** suivre la même procédure de la fonction **Timer**.

Dès que le timer a terminé le compte à rebours, un signal sonore se déclenche (pendant 2 minutes ou s'arrête en appuyant sur une quelconque touche, alors que l'afficheur (15) clignote, avec le symbole "0.00".

### ● Pause

La fonction Pause permet d'interrompre n'importe quelle fonction active sur la plaque en ramenant à zéro la puissance de cuisson.

**Activation :**

• appuyer sur  (10)

• le symbole "i" apparaît sur l'afficheur(13).

**Pour désactiver la fonction :**

**Remarque :** cette opération permet de rétablir les conditions de la plaque avant la pause

• appuyer sur  (10)

• vous avez 10 secondes pour glisser le doigt vers la droite le long de la **Barre de sélection (3)**, correspondant à la **zone de cuisson 2 (FIG. 19)**;

**Remarque :** si l'opération n'est pas effectuée dans le délai indiqué la fonction Pause reste active.


**Remarque :** si après 10 minutes, la **Fonction Pause** n'est pas désactivée, la plaque s'éteint automatiquement.

### ● Recall

La fonction Recall permet de récupérer toutes les programmations effectuées sur la plaque, en cas d'arrêt accidentel.

**Activation :**

• **rallumer la plaque**  dans les 6 secondes qui suivent l'arrêt

• appuyer sur  sous les 6 secondes successives

### ● Automatic Heat UP

La fonction Automatic Heat UP permet d'amener plus rapidement à régime la puissance programmée; cette fonction permet d'avoir une cuisson plus rapide mais sans risquer de brûler les aliments car la température ne dépasse pas celle du niveau programmé.

Cette fonction est disponible pour les niveaux de puissance 1 -8 .


**Activation :**

• appuyer longuement sur la **Barre de sélection (3)**, la puissance souhaitée

• le symbole "A" apparaît sur l'afficheur (13).

## UTILISATION DE L'ASPIRATEUR

### ● Allumage

Appuyer sur (effleurer)  **ON/OFF(1)** de la plaque de cuisson/ aspirateur

Le voyant s'éclaire pour signaler que la plaque de cuisson/aspirateur est prêt(e) à l'emploi.

Appuyer de nouveau pour éteindre.

**Remarque :** Cette fonction a la **priorité sur toutes les autres**.

### ● Mise en marche de l'aspirateur :

Effleurer (appuyer sur) la **Barre de sélection (6)** pour activer l'aspirateur

### ● Vitesse (puissance) d'aspiration :

Effleurer et glisser le doigt le long de la **Barre de sélection (6)**:

vers la droite pour augmenter la vitesse (puissance) d'aspiration (0-4);

vers la gauche pour diminuer la vitesse (puissance) d'aspiration (4-0);

### ● Timer

**Activation/Réglage de la fonction Timer pour l'aspirateur**

• Sélectionner l'aspirateur (vitesse \* 0).

• Appuyer sur **— + (8)** pour accéder à la fonction Timer (peu importe la vitesse)

• Régler la durée du Timer:

appuyer sur le sélecteur **+**, pour augmenter le temps d'extinction automatique

appuyer sur le sélecteur **—**, pour diminuer le temps d'extinction automatique

de l'afficheur (15) le compte à rebours apparaît,

**Remarque :** à côté de l'afficheur de l'aspirateur, lorsque le

Timer est actionné, apparaît le symbole  (19)

Dès que le timer a terminé le compte à rebours, un signal sonore se déclenche (pendant 2 minutes ou s'arrête en appuyant sur une quelconque touche, alors que l'afficheur (15) clignote, avec le symbole "0.00".

**Pour couper le Timer :**

• Sélectionner la zone de cuisson.

• programmer la valeur du timer à "0", avec **—**

**Remarque :** la fonction reste active si l'on n'appuie pas, entre-temps, sur d'autres touches.


### ● Voyant de saturation des filtres

La hotte indique lorsqu'il faut changer les filtres :

**Filtres à graisse** la LED "FILTER"(17) s'éclaire

**Filtre anti-odeurs au charbon actif** la LED "FILTER"(17) clignote


### ● Réinitialiser saturation filtres


Après avoir effectué l'entretien des filtres (graisses et/ou charbon actif), appuyer longuement sur la touche  ; la LED "FILTER" s'éteint, et relance le comptage de l'indicateur.

### ● Activation du voyant de la saturation des filtres anti-odeurs aux charbons actifs

Ce voyant est généralement désactivé.

Pour l'activer, procéder comme suit :

- éclairer la plaque aspirante avec  ;
- avec moteur d'aspiration et zones de cuisson éteintes,

appuyer et maintenir la pression de la touche  ;

- "FILTER" s'éclaire et s'éteint pour signaler l'activation.

### ● Désactivation du voyant de la saturation des filtres anti-odeurs aux charbons actifs

répéter la susdite opération pour l'activation


"FILTER" clignote puis s'éteint pour signaler la désactivation.

### ● Fonctionnement automatique

La hotte s'éclaire alors à la vitesse plus indiquée en adaptant la capacité d'aspiration au niveau de cuisson maximal, utilisé dans les zones de cuisson.

Lorsque l'on éteint la plaque de cuisson, la hotte adapte la vitesse d'aspiration en la diminuant progressivement de manière à éliminer les dernières vapeurs et odeurs.

Pour activer cette fonction :

Appuyer brièvement sur  (7), la LED "(A)" (18) s'éclaire pour signaler que la hotte fonctionne sous ce mode.



### ● Indicateur FLAP (volet) ouvert

La zone d'aspiration est dotée d'un FLAP (volet) pivotant mécanique. Il faut éclairer la hotte et ouvrir le volet pour activer le produit. La hotte est équipée d'un capteur qui, quand l'aspiration est activée, si le VOLET est complètement fermé, arrête automatiquement le moteur. L'aspiration redémarre uniquement à l'ouverture du VOLET.

- le moteur ne démarre pas au démarrage de l'aspirateur si le VOLET est fermé : la LED « OPEN » (23) s'éclaire, un bip de 5 secondes est déclenché l'afficheur (12) clignote

- en fermant le volet quand le moteur est éclairé, celui-ci s'arrête : la LED « OPEN » (23) s'éclaire, un bip de 5 secondes est déclenché l'afficheur (12) clignote

## Tableaux de puissance

Le niveau de puissance (par défaut)		Description
	Chauffer doucement	Localiser un niveau approprié de dissoudre lentement produits délicats sans compromettre les caractéristiques sensorielles de puissance (chocolat, le beurre, etc.).
	Réchauffer	Choisir un niveau de puissance appropriée pour permettre de maintenir la température de vos aliments en douceur, sans atteindre des températures d'ébullition.

Niveau de puissance		Typologie de cuisson	Niveau d'utilisation (l'indication doit être associée à l'expérience et aux habitudes de cuisson)
Puissance maximale	Boost	Réchauffer rapidement	Idéal pour élever très rapidement la température des aliments jusqu'à ébullition rapide en cas d'eau ou pour chauffer rapidement les liquides de cuisson
	8-9	Friggere - bollire	Idéal pour le brunissement, commencer à cuire, frire des produits congelés, faire bouillir rapidement
Puissance élevée	7-8	Rôtir - brunir - bouillir - griller	Idéal pour rôtir, maintenir l'ébullition, cuire et griller (courte durée, 5-10 minutes)
	6-7	Rôtir - cuire - cuire à l'étouffée - brunir - griller	Idéal pour brunir, maintenir l'ébullition légère, cuire et griller (pendant une durée moyenne, 10-20 minutes), préchauffer les accessoires
Puissance moyenne	4-5	Cuire - cuire à l'étouffée - brunir - griller	Idéal pour cuire à l'étouffée, maintenir une ébullition délicate, cuire (pour une longue durée). Repasser les pâtes
	3-4	Cuire - frémir - épaissir – rendre crémeux	Idéal pour les cuissons prolongées (riz, sauces, rôtis, poisson), en présence de liquides d'accompagnement (par exemple eau, vin, bouillon, lait), mélanger les pâtes
	2-3	Cuire - frémir - épaissir – rendre crémeux	Idéal pour les cuissons prolongées (volumes de moins d'un litre: riz, sauces, rôtis, poisson) en présence de liquides d'accompagnement (exemple eau, vin, bouillon, lait)
Faible Puissance	1-2	Faire fondre - dégeler - garder au chaud – rendre crémeux	Idéal pour ramollir le beurre, faire fondre doucement le chocolat, décongeler des produits de petites dimensions
	1	Faire fondre - dégeler - garder au chaud – rendre crémeux	Idéal pour garder au chaud de petites portions d'aliments fraîchement cuisinés ou garder à température les plats et faire épaissir le risotto
OFF	Puissance zéro	Surface d'appui	Plan de cuisson en position stand-by ou coupé (présence possible de chaleur résiduelle de la fin de la cuisson, signalée par H-L-O)

## Tableaux de cuisson

Catégorie d'aliments	Plats ou type de cuisson	Niveau de puissance et déroulement cuisson			
		Première étape	Puissances	Deuxième étape	Puissances
Pâtes, riz	Pâtes fraîches	Chauffage de l'eau	Booster-9	Cuisson des pâtes et maintien ébullition	7-8
	Pâtes fraîches	Chauffage de l'eau	Booster-9	Cuisson des pâtes et maintien ébullition	7-8
	Riz bouilli	Chauffage de l'eau	Booster-9	Cuisson des pâtes et maintien ébullition	5-6
	Risotto	Saisir et griller	7-8	Cuisson	4-5
Légumes, légumineuses	Blanchis	Chauffage de l'eau	Booster-9	Ébullition	6-7
	Frits	Chauffage de l'huile	9	Friture	8-9
	Sautés	Chauffage de l'accessoire	7-8	Cuisson	6-7
	Mijotés	Chauffage de l'accessoire	7-8	Cuisson	3-4
	Saisis	Chauffage de l'accessoire	7-8	Dorure	7-8
Viandes	Rôti	Brunissement viande avec de l'huile (si avec beurre, puissance 6)	7-8	Cuisson	3-4
	Grillées	Préchauffage de la poêle	7-8	Griller sur les deux côtés	7-8
	Brunissement	Brunissement avec de l'huile (si avec beurre, puissance 6)	7-8	Cuisson	4-5
	En sauce/braisées	Brunissement avec de l'huile (si avec beurre, puissance 6)	7-8	Cuisson	3-4
Poisson	Grillés	Préchauffage de la poêle	7-8	Cuisson	7-8
	En sauce/braisés	Brunissement avec de l'huile (si avec beurre, puissance 6)	7-8	Cuisson	3-4
	Frits	Chauffage de l'huile ou de la matière grasse	8-9	Friture	7-8
Œuf	Omelettes	Chauffage de la poêle avec du beurre ou de la matière grasse	6	Cuisson	6-7
	Omelette	Chauffage de la poêle avec du beurre ou de la matière grasse	6	Cuisson	5-6
	A la coque/durs	Chauffage de l'eau	Booster-9	Cuisson	5-6
	Pancake	Chauffage de la poêle avec du beurre	6	Cuisson	6-7
Sauces	Tomate	Brunissement avec de l'huile (si avec du beurre, puissance 6)	6-7	Cuisson	3-4
	Bolognaise	Brunissement avec de l'huile (si avec du beurre, puissance 6)	6-7	Cuisson	3-4
	Béchamel	Préparation de la base (faire fondre beurre et farine)	5-6	Porter à frémissement	3-4
Gâteaux, crèmes	Crème pâtissière	Porter le lait à ébullition	4-5	Maintenir le frémissement	4-5
	Puddings	Porter le lait à ébullition	4-5	Maintenir le frémissement	2-3
	Riz au lait	Réchauffer le lait	5-6	Maintenir le frémissement	2-3

# Instructions pour l'entretien, utilisateur et la maintenance

## Entretien de la plaque de cuisson

Attention! Avant toute opération de nettoyage ou d'entretien, s'assurer que les zones de cuisson sont éteintes et le voyant de chaleur a disparu.

## Nettoyage

La plaque de cuisson doit être nettoyée après chaque utilisation.

### Important :

Ne pas utiliser d'éponges abrasives, de tampons à récurer. Leur utilisation, au fil du temps, pourrait abîmer le verre.

Ne pas utiliser des produits chimiques irritants, tels que les sprays pour fours ou détachants.

Après chaque utilisation, laisser refroidir le plan et le nettoyer pour enlever les dépôts et les taches causées par des résidus alimentaires.

Le sucre ou les aliments à haute teneur en sucre endommagent le plan de cuisson et doivent être retirés immédiatement.

Le sel, le sucre et le sable peuvent rayer la surface du verre.

Utiliser un chiffon doux, des serviettes en papier ou des produits spécifiques pour le nettoyage du plan (suivre les instructions du fabricant).

**NE JAMAIS UTILISER DE NETTOYEURS A VAPEUR !!!**

### Important :

En cas de gros débordements accidentels de liquides des casseroles il est possible d'intervenir à travers la vanne de décharge, placée sur la partie inférieure du produit de manière à pouvoir éliminer tout résidu et nettoyer en toute sécurité.

Fig. 14

Pour un nettoyage plus complet et soigné, enlever complètement le bac inférieur.

Fig.14.1 → 14.5

## Entretien de l'aspirateur

### Nettoyage

Pour le nettoyage, utiliser **EXCLUSIVEMENT** un chiffon imbibé de détergent liquide neutre. **NE PAS UTILISER D'USTENSILES OU OUTILS DE NETTOYAGE !**

Éviter l'usage de produits à base d'agents abrasifs.

**NE PAS UTILISER D'ALCOOL !**

## Filtre à graisse

### Filtre anti-graisse

Il retient les particules de graisse dérivantes d'ela cuisson.

Il doit être nettoyé une fois par mois (ou quand l'indicateur de saturation des filtres l'indique), avec des détergents non agressifs, à la main ou au lave-vaisselle à basse température et cycle rapide.

Avec le lavage au lave-vaisselle, le filtre anti-graisse métallique peut décolorer mais ses caractéristiques de filtrage restent les mêmes.

Fig. 13 → 13.1

## Filtres à charbon

### Filtre À Charbon Actif - Céramique

(Seulement pour la version filtrante)


Il retient les mauvaises odeurs de la cuisson.

Le produit est doté de quatre séries de filtres qui retiennent les odeurs grâce aux charbons actifs. Les charbons actifs sont intégrés dans une structure céramique qui les rend facilement et complètement accessibles par les impuretés créant ainsi une surface d'absorption élevée.

La saturation des **filtres céramique aux charbons actifs** se produit après une utilisation plus ou moins intense en fonction du type de cuisine et de la fréquence de nettoyage du filtre à graisse. Ces filtres anti-odeur peuvent être soumis à une régénération thermique tous les 2 à 3 mois dans un four préchauffé à 200 °C pendant 45 minutes. La régénération permet de bénéficier d'une durée maximale des filtres de 5 ans.

Fig. 15 → 15.12

# Recherche des pannes

CODE D'INFORMATION	DESCRIPTION	CAUSES POSSIBLES	SOLUTION
E2	La zone commandes s'éteint à cause d'une trop haute température	La température interne de l'électronique est trop élevée	Attendre que la plaque refroidisse avant de l'utiliser à nouveau
ERR03 + Signal acoustique 	Une activation continue (permanente) de la touche est détectée. L'interface s'éteint au bout de 10 secondes.	Eau, casseroles ou ustensiles de cuisine, posés sur l'interface utilisateur.	Nettoyer la surface, retirer les objets éventuellement présents le plan.
Pour tous les autres signaux d'erreur (E ... U ...)	Appeler le service assistance technique et communiquer le code d'erreur		

## Service assistance

Avant de contacter le Service Clientèle

1. Vérifier que vous ne pouvez pas résoudre le problème vous-même sur la base des points décrits dans "Recherche des pannes".
2. Éteindre et rallumer l'appareil pour s'assurer que la panne est résolue.

**Si le problème persiste après les susdites vérifications, contacter le Service Clientèle le plus proche.**



**Plaque à induction:** ENS436BL

**Tension nominale:** 120/208 V~

**Fréquence:** 60 Hz

**Puissance:** 7100 W

**Current:** 35,7 A

**Quantité:** 1 pièce

**Fabriqué en Italie**

**Produit par:** Elica SPA

**Importé par:** ELICAMEX S.A. de C.V.

**Adresse:** Av. La Noria No. 102 int. S/N, Col. Parque Industrial Querétaro  
Del. Santiago de Querétaro, C.P. 76220 Querétaro, R.F.C. EII060102RK8

# Garantie

## GARANTIE DE DEUX ANS **ELICA** North America

### POUR OBTENIR UN DEPANNAGE SOUS GARANTIE

Le propriétaire doit présenter une preuve de la date d'achat. Garder une copie de votre preuve d'achat datée (ticket de caisse) de façon à pouvoir bénéficier du service après-vente sous garantie.

### GARANTIE PIÈCES DE RECHANGE ET MAIN D'OEUVRE

Pendant une période de deux (2) ans à partir de la date d'achat, Elica s'engage à fournir gratuitement les pièces de rechange

ou les composants autres que les recharges ayant des défauts de fabrication.

Durant cette garantie de deux (2) ans, Elica fournira également gratuitement, toute la main d'oeuvre et le service à domicile

pour remplacer d'éventuelles pièces défectueuses.

### CE QUE LA GARANTIE NE COUVRE PAS

- Dégât ou panne du produit causé par un accident ou un cas de force majeure tels que inondation, incendie ou tremblement de terre.
- Dégât ou panne du produit causé par modification du produit ou utilisation de pièces pas d'origine.
- Dégât ou panne du produit causé lors de la livraison, de la manipulation ou de l'installation.
- Dégât ou panne du produit causé par une mauvaise utilisation.
- Dégât ou panne du produit causé par un remplacement des fusibles ou une remise en fonction des disjoncteurs par le propriétaire.
- Dégât ou panne du produit causé par une utilisation du produit pour raison commerciale.
- Déplacement à domicile pour explication d'utilisation ou d'entretien.
- Ampoules, filtres métalliques ou au charbon et toute autre pièce consommable.
- Usure normale.
- Usure due à une mauvaise utilisation du propriétaire, un entretien incorrect, une utilisation de substances nettoyantes corrosives ou abrasives et produits de nettoyage pour four.

### QUI EST COUVERT

Cette garantie s'étend à l'acheteur original de produits achetés pour un usage domestique habituel en Amérique du Nord (Y compris Etats Unis, Guam, Porto Rico, les Iles virgins Américaines & le Canada).

Cette garantie n'est pas transférable et vaut uniquement pour l'acheteur original et ne s'étend pas aux propriétaires successifs du produit. Cette garantie vaut expressément en lieu et place de toute autre garantie, expresse ou sous-entendue, mais ne limite pas toute autre garantie sous-entendue de marchandage ou adaptation dans un but particulier et toute autre obligation de la part de Elica North America, étant entendu, cependant, que si la réclamation pour garanties sous-entendues n'est pas applicable aux yeux de la loi en vigueur, la durée de toute garantie sous-entendue émanant de la loi doit être limitée à deux (2) ans à partir de la date d'achat du produit ou à une période plus longue selon ce que dit la loi en vigueur.

Cette garantie ne couvre pas tout dégât particulier, accidentel et/ou consécutif, ni les pertes et profits, à charge du propriétaire, des ses clients et/ou des utilisateurs Des produits.

### QUI CONTACTER

Pour obtenir un service après-vente durant la garantie ou pour toute autre question:

- Elica North America Authorized Service - (714) 428-0046
- [elica@servicepower.com](mailto:elica@servicepower.com)



<b>Contenido</b>	
<b>Aviso de seguridad importante.....</b>	<b>54</b>
<b>Requisitos eléctricos y de instalación.....</b>	<b>60</b>
Requisitos eléctricos .....	60
Antes de instalar .....	61
<b>Lista de materiales .....</b>	<b>62</b>
Piezas suministradas .....	62
Piezas no suministradas .....	62
<b>Dimensiones y Espacios libres.....</b>	<b>63</b>
<b>Utilización .....</b>	<b>65</b>
Recipientes para la cocción .....	65
Ahorro energético.....	65
<b>Instalación .....</b>	<b>66</b>
Preparación de la campana para la instalación: .....	66
<b>Descripción de la campana y los controles .....</b>	<b>68</b>
Controles.....	69
Tablas de potencia .....	74
Tablas de cocción.....	75
<b>Instrucciones para el servicio de venta y de postventa y mantenimiento .....</b>	<b>76</b>
Limpieza.....	76
Filtro contra la grasa.....	76
Filtros de Carbón .....	76
Solución de daños .....	77
Servicio de asistencia.....	77
<b>Garantía.....</b>	<b>78</b>

# LEA Y GUARDE ESTAS INSTRUCCIONES

## Aviso de seguridad importante

### SEGURIDAD DE LA PLACA DE COCCIÓN

Hemos proporcionado muchos mensajes de seguridad importantes en este manual y en su aparato. Lea y obedezca siempre todos los mensajes de seguridad.



Este es el símbolo de alerta de seguridad.

Este símbolo le advierte sobre peligros potenciales que podrían ocasionar su muerte o la de otras personas.

Todos los mensajes de seguridad irán a continuación del símbolo de advertencia de seguridad y de la palabra "PELIGRO" o "AVISO".

Estas palabras significan:

**⚠ DANGER**

**Que se pueden producir lesiones graves o la muerte si no se siguen de inmediato las instrucciones**

**⚠ WARNING**

**Que se pueden producir lesiones graves o la muerte si no se siguen las instrucciones.**

Todos los mensajes de seguridad le dirán cuál es el peligro potencial, cómo reducir el riesgo de lesiones, y lo que puede suceder si las instrucciones no se siguen.

# INSTRUCCIONES DE SEGURIDAD IMPORTANTES

**AVISO:** Para reducir el riesgo de incendio, choque eléctrico, lesiones a personas o daños al usar la placa de cocción, siga las precauciones básicas, incluyendo las siguientes:

- **PRECAUCIÓN:** No guarde objetos de interés para los niños en los gabinetes que se encuentran encima de la placa de cocción – Si los niños se suben a la placa de cocción para alcanzar los objetos podrían sufrir lesiones graves.
  - **Instalación Correcta** – Asegúrese de que su placa de cocción sea conectada a tierra por un técnico calificado.
  - **Nunca Use la Placa de Cocción para Calentar la Habitación.**
  - **No Deje a los Niños Solos** – Los niños no deben quedarse solos o sin vigilancia en el área donde la placa de cocción está en uso. Nunca se les debe permitir sentarse o pararse en ninguna parte de la placa de cocción.
  - **Use Ropa Apropiaada** – No se debe usar ropa holgada o prendas que cuelguen cuando se usa la placa de cocción.
  - **Mantenimiento Hecho por el Usuario** - No repare ni reemplace ninguna de las partes de la placa de cocción, a menos que se recomiende específicamente en este manual. Cualquier otro tipo de mantenimiento debe ser remitido a un técnico cualificado.
  - **Almacenamiento sobre la Placa de Cocción** - No se deben conservar materiales inflamables cerca de las unidades de la superficie de cocción.
  - **No Utilice Agua para Apagar un Fuego Provocado por Grasa** – Sofoque las llamas o utilice productos químicos secos o un extinguidor de espuma.
  - **Solo Utilice Agarradores Secos** – Los agarradores húmedos o mojados sobre superficies calientes pueden provocar quemaduras por vapor. No permita que los agarradores toquen los elementos de calentamiento que estén calientes. No utilice toallas u otros paños gruesos.
  - **NO TOQUE LAS UNIDADES DE LA SUPERFICIE DE COCCIÓN U OTRAS ZONAS CERCANAS A ESTAS** – Las unidades de la superficie pueden estar calientes aunque tengan un color oscuro. Las zonas cercanas a las unidades de la superficie de cocción pueden calentarse lo suficiente como para causar quemaduras. Durante y después del uso, no toque ni deje telas u otros materiales inflamables cerca de las unidades de la superficie de cocción hasta que haya transcurrido el tiempo suficiente para que se enfríen. Entre esas zonas se encuentran la placa de cocción y las superficies que miran hacia la placa de cocción.
  - **Utilice Cacerolas de Tamaño Adecuado** – Esta placa de cocción está equipada con una o más unidades de superficie de diferente tamaño. Elija utensilios de cocina con bases planas lo suficientemente grandes para cubrir la unidad de calentamiento de la superficie. La proporción correcta del utensilio de cocina con respecto al elemento de calentamiento también mejorará la eficiencia.
  - **Nunca Descuide las Unidades de Superficie al Trabajar a Altas Temperaturas** - El hervor provoca humos y los derrames de grasa pueden prenderse fuego.
  - **Utensilios de Cocina Vidriados** – Solo ciertos tipos de vidrio, vidrio/cerámica, cerámica, loza de barro u otros utensilios vidriados son adecuados para utilizarlos en la placa de cocción sin que se rompan debido al cambio repentino de temperatura.
  - **Los Mangos de los Utensilios Deben Colocarse Hacia Adentro y No Deben Extenderse Sobre las Unidades de la Superficie Adyacentes** – Para reducir el riesgo de quemaduras, incendio de materiales inflamables y derrames debidos al contacto accidental con el utensilio, siempre coloque el mango de los utensilios hacia adentro, de manera que no se extiendan sobre las unidades de la superficie adyacentes ni sobre el borde de la placa.
  - **No Cocine en una Placa de Cocción Rota** – Si la placa de cocción se rompe, las soluciones de limpieza y los derrames pueden penetrar en la placa de cocción rota y crear un riesgo de descarga eléctrica. Póngase en contacto con un técnico cualificado de inmediato.
  - **Limpie la Placa de Cocción con Precaución** – Si utiliza una esponja húmeda o un paño para limpiar derrames en una superficie caliente, tenga cuidado para evitar quemaduras por vapor. Algunos limpiadores pueden producir emanaciones tóxicas si se aplican en una superficie caliente.
  - **No coloque objetos metálicos, tales como cuchillos, tenedores, cucharas y tapas, sobre la superficie de la placa de cocción ya que podrían sobrecalentarse.**
- Para unidades con campana de extracción –
- **Limpier las Campanas de Extracción Frecuentemente** - No debe permitir que la grasa se acumule en la campana o en el filtro.
  - **Cuando tenga que flambear alimentos debajo de la campana, encienda el ventilador.**
- Para unidades con elementos con bobinas –
- **Asegúrese de que los Platos Reflectantes o los Cuencos Recogegotas Estén en su Lugar** – La ausencia de estos platos o cuencos durante la cocción pueden dañar el cableado o los componentes que están debajo.
  - **Forros Protectores** – No use papel de aluminio para forrar los cuencos de goteo de la unidad de superficie, excepto como se sugiere en el manual. La instalación incorrecta de estos protectores pueden resultar en un riesgo de descarga eléctrica o un incendio.
  - **No Remoje Los Elementos de Calentamiento Desmontables** – Los elementos de calentamiento nunca se deben sumergir en agua.

## GUARDE ESTAS INSTRUCCIONES

Esta placa de inducción genera y utiliza energía con frecuencia ISM que calienta los utensilios de cocina mediante un campo electromagnético. Ha sido sometida a pruebas y cumple con la Parte 18 de las normas de la Comisión Federal de Comunicaciones (Federal Communications Commission, FCC) para los equipos ISM. Esta placa de inducción cumple con los requisitos de la FCC para minimizar la interferencia con otros dispositivos en instalaciones residenciales.

Esta placa de inducción puede causar interferencias con la recepción de la televisión o la radio. Si se produce interferencia, el usuario debe intentar corregir la interferencia de la siguiente manera:

- Cambiando la ubicación de la antena receptora de la radio o televisión.
- Aumentando la distancia entre la placa de cocción y el receptor.
- Conectando el receptor en una toma de corriente diferente.

Es responsabilidad del usuario corregir cualquier interferencia.

**ATENCIÓN:** Las personas con un marcapasos o con un dispositivo médico similar deben tener cuidado cuando se paren cerca de esta placa de inducción en funcionamiento. El campo electromagnético puede afectar el marcapasos o dispositivo similar. Consulte a su médico o al fabricante del marcapasos o del dispositivo médico similar para obtener más información sobre sus efectos en combinación con los campos electromagnéticos de una placa de inducción.

¡Cuidado! Siga escrupulosamente las siguientes instrucciones:

- Antes de realizar cualquier trabajo de instalación, desconecte el aparato de la red eléctrica.

- La instalación o el mantenimiento debe ser realizado por un técnico cualificado, de conformidad con las instrucciones del fabricante y en cumplimiento de la normativa local en materia de seguridad. No repare ni sustituya ninguna parte del aparato a menos que se indique específicamente en el manual de uso.

- La instalación de la puesta a tierra del aparato es obligatoria.

- No utilice tomas eléctricas múltiples ni alargadoras eléctricas.

- Una vez finalizada la instalación, los componentes eléctricos no deberán ser accesibles al usuario.

- El equipo y sus partes accesibles se calientan durante el uso. Tener cuidado de no tocar los elementos de calentamiento.

- Asegúrese de que los niños no jueguen con el aparato; procure vigilar a los niños y manténgalos a una distancia prudente, ya que las partes accesibles pueden calentarse mucho durante el uso.

- Para los portadores de marcapasos e implantes activos es importante comprobar, antes del uso de la placa de inducción, que el implante sea compatible con el aparato.

Durante y después del uso, no toque los elementos de calentamiento del dispositivo.

Evite el contacto con paños u otros materiales inflamables hasta que todos los componentes del aparato se hayan enfriado lo suficiente.

No coloque materiales inflamables sobre el dispositivo o en sus proximidades.

Las grasas y aceites ya utilizados son fácilmente inflamables. Supervisar la cocción de los alimentos ricos en grasas y aceites.

- Si la superficie se encuentra agrietada, apague el aparato para evitar la posibilidad de una descarga eléctrica.

El aparato no está destinado a ser puesto en funcionamiento por medio de un temporizador externo o un sistema separado de control remoto.

La cocción sin supervisión sobre una placa de cocción con aceite o grasa puede ser peligrosa y causar incendios.

El proceso de cocción debe ser supervisado. Un proceso de cocción a corto plazo debe ser supervisado continuamente.

NUNCA intente apagar el fuego con agua. En su lugar, apague el aparato y use por ejemplo una tapa o una manta ignífuga para sofocar las llamas. Peligro de incendio: no coloque objetos sobre las superficies de cocción.

- No utilice limpiadoras a vapor.

- Antes de conectar el producto a la red eléctrica: verifique la placa de datos

(montada en la parte inferior del aparato) para cerciorarse de que el voltaje y la potencia se correspondan con aquellos de la red eléctrica y que el enchufe sea adecuado. En caso de duda, póngase en contacto con un electricista cualificado.

### **Importante:**

- Después de su uso, apague la placa de cocción por medio de su dispositivo de control sin tener en cuenta el detector de ollas.

- Evite derrames de líquidos, por lo tanto, para hervir o calentar líquidos, disminuya el suministro de calor.

- No deje los elementos de calentamiento encendidos con ollas o sartenes vacías o sin recipientes.

- Cuando se termine de cocinar, apague la zona correspondiente.

- Al cocinar, nunca utilice papel de aluminio, tampoco apoye directamente productos envasados con aluminio. - El aluminio fundiría y dañaría irreparablemente su aparato.

- Nunca caliente latas o tarros de lata de alimentos sin haberlas abierto previamente: ¡podrían explotar!

Esta advertencia aplica para todos los otros tipos de placas de cocción.

- El empleo de una potencia elevada tal como la función Booster no es adapta para el calentamiento de algunos líquidos, como por ejemplo el aceite para freír. El calor excesivo puede ser peligroso. En estos casos se recomienda usar una potencia más

baja.

- Coloque los recipientes centrados, directamente sobre la placa de cocción. Bajo ninguna circunstancia coloque otros objetos entre la olla y la placa de cocción.

- En situaciones de altas temperaturas, el aparato disminuye automáticamente el nivel de potencia de las zonas de cocción.

Antes de realizar cualquier tarea de limpieza o mantenimiento, desconecte el producto de la red eléctrica, quitando el enchufe o desconectando el interruptor general de la habilitación.

Para todas las operaciones de instalación y mantenimiento es preciso usar guantes de trabajo.

Este producto no se destina para utilizarse por personas (incluyendo niños) cuyas capacidades físicas, sensoriales o mentales sean diferentes o estén reducidas, o carezcan de experiencia o conocimiento, a menos que dichas personas reciban una supervisión o capacitación para el funcionamiento del aparato por una persona responsable de su seguridad.

Las operaciones de limpieza y mantenimiento no deben ser llevadas a cabo por niños sin ninguna supervisión.

El ambiente debe disponer de ventilación adecuada, cuando la campana extractora se utiliza junto con otros aparatos de combustión de gas u otros combustibles.

La campana debe limpiarse con frecuencia tanto por dentro como por

fuera (AL MENOS UNA VEZ AL MES), de todas maneras siempre se deberá cumplir con lo indicado en las instrucciones de mantenimiento.

El incumplimiento de las instrucciones de limpieza de la campana y de sustitución y limpieza de los filtros implica riesgos de incendio.

Está terminantemente prohibido cocinar alimentos con llamas libres.

El empleo de llamas libres es perjudicial para los filtros y puede originar incendios, por lo tanto, se debe evitar en cualquier circunstancia.

Se recomienda mantener constantemente bajo control la cocción de alimentos por fritura, para evitar que el aceite recalentado arda.

**ATENCIÓN:** Durante el funcionamiento de la placa de cocción, las partes accesibles de la campana pueden calentarse considerablemente.

**¡Cuidado!** No conecte el aparato a la red eléctrica antes de haber terminado la instalación por completo.

En lo que respecta a las medidas técnicas y de seguridad que deben adoptarse para la evacuación de los humos, atégase estrictamente a lo previsto en los reglamentos de las autoridades locales competentes.

El aire aspirado no debe encauzarse en una tubería que se utiliza para la evacuación de los humos producidos por el aparato de combustión de gas o de otros combustibles.

Nunca utilice la campana si la rejilla no está montada correctamente!

Utilice únicamente los tornillos de fijación para la instalación incluidos en el suministro del producto, de no ser así, asegúrese de comprar el tipo de tornillo adecuado. Utilice tornillos de longitud correcta tal como especificado en la Guía de instalación.

Cuando la campana y los aparatos alimentados con una fuente de energía distinta a la electricidad, funcionan simultáneamente, la presión negativa en el local no debe sobrepasar los 4 Pa (4 × 10<sup>-5</sup> bares).

Es importante conservar este manual para poder consultarlo en cualquier momento. En caso de venta, cesión o traslado, asegúrese de que éste permanezca junto con el producto.

# Requisitos eléctricos y de instalación

## Requisitos eléctricos

### Fig. 2.

- Desconectar el aparato de la red eléctrica
- La instalación debe ser realizada por personal profesionalmente cualificado y con conocimiento de las normas vigentes en materia de instalación y seguridad.
- El fabricante declina cualquier responsabilidad sobre las personas, animales o cosas, en caso de incumplimiento de las instrucciones proporcionadas en el presente capítulo.
- Asegúrese de que la potencia indicada en la placa de datos, montada en la parte inferior del aparato, se corresponda a la del local en el que se va instalar.
- No utilice cables de extensión.
- La puesta a tierra es obligatoria por ley

### IMPORTANTE

cumpla todas las normativas y ordenanzas gubernamentales.

Es responsabilidad del cliente:

Ponerse en contacto con un instalador eléctrico cualificado.

Asegurarse de que la instalación eléctrica es adecuada y en conformidad con National Electrical Code, ANSI/NFPA 70 (última edición\*) o CSA Standards C22.1-94, Canadian Electrical Code, Parte 1 y C22.2 No.0-M91 (última edición\*) y toda la normativa y las ordenanzas locales.

Si la normativa lo permite y se utiliza un cable de toma a tierra independiente, se recomienda que un electricista cualificado determine si la difracción de onda de tierra es la adecuada.

No ubique la toma a tierra en una tubería de gas.

Si no está seguro de que la campana está correctamente conectada a tierra, consulte a un electricista cualificado.

No coloque ningún fusible en el circuito neutral o con vuelta por tierra.

### IMPORTANTE

Guarde las instrucciones de instalación para su uso por parte del inspector de electricidad.

L'aparato debe estar conectada directamente al desconectador con fusible (O disyuntor) mediante canal metálico de cables eléctricos.

Los tamaños de cable deben cumplir los requisitos de la National Electrical Code, ANSI/NFPA 70 (última edición\*) o CSA Standards C22.1-94, Canadian Electrical Code, Parte 1 y C22.2 No.0-M91 (última edición\*) y toda la normativa y las ordenanzas locales.

Es preciso colocar un conector de canal de cables enumerado en U.L. o C.S.A. en cada extremo del canal de cables de fuente de alimentación (En l'aparato y en la caja de conexiones).

Se pueden obtener copias de los estándares enumerados en:

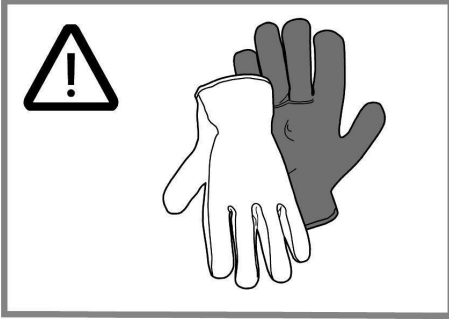
\* National Fire Protection Association  
Batterymarch Park Quincy, Massachusetts 02269

\*\* CSA International 8501 East Pleasant Valley  
Road Cleveland, Ohio 44131-5575



## Antes de instalar

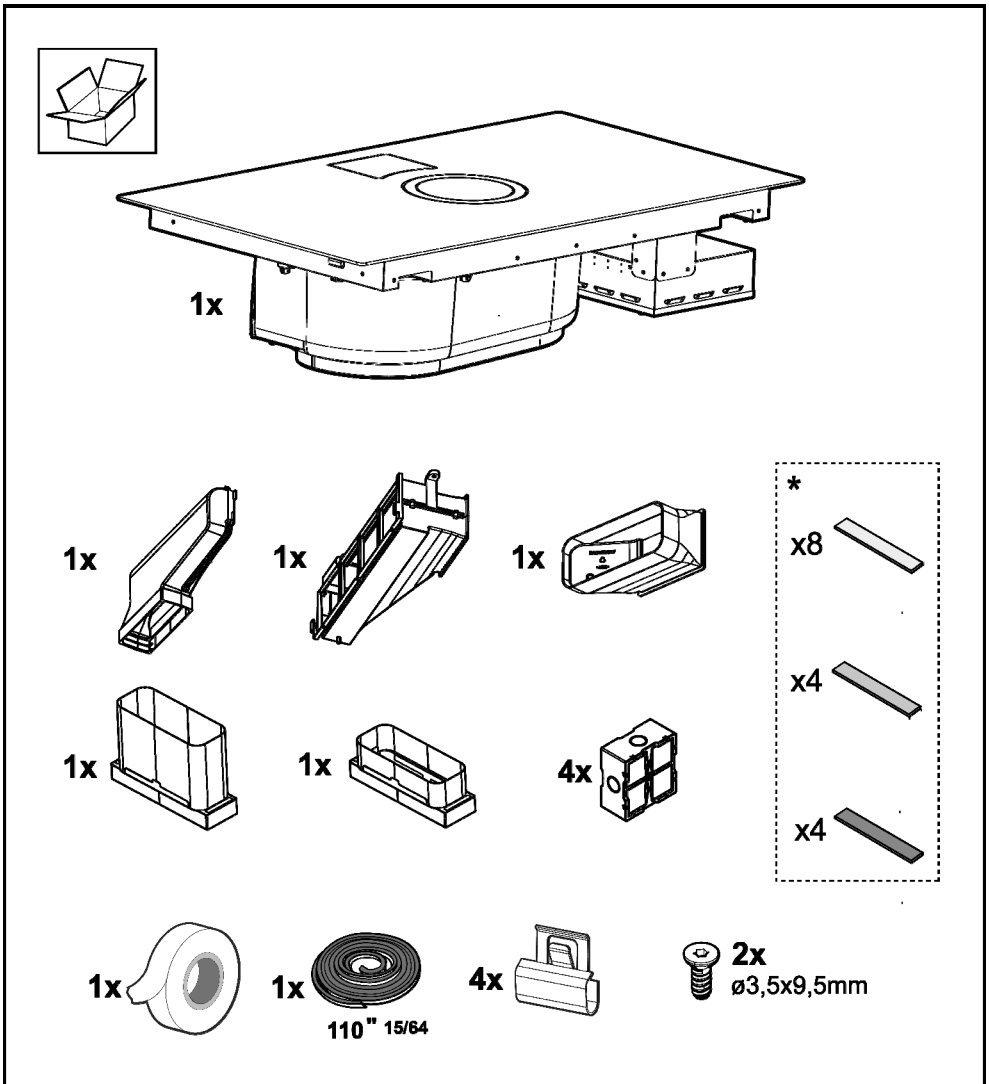
Para realizar la instalación, se necesitan al menos dos personas.  
Use guantes para protegerse contra los bordes afilados.



El aire de escape no debería descargarse por una pared, techo o un espacio encerrado de un edificio. Para eliminar el riesgo de quemaduras o incendio al estirarse sobre la placa caliente, es preciso evitar montar un armario de almacenamiento por encima de las placas. Si fuera necesario montar un armario de almacenamiento, es posible reducir dicho riesgo, montando una campana extractora que sobresale horizontalmente, como mínimo 5 pulgadas, más allá de la parte inferior de los armarios.

# Lista de materiales

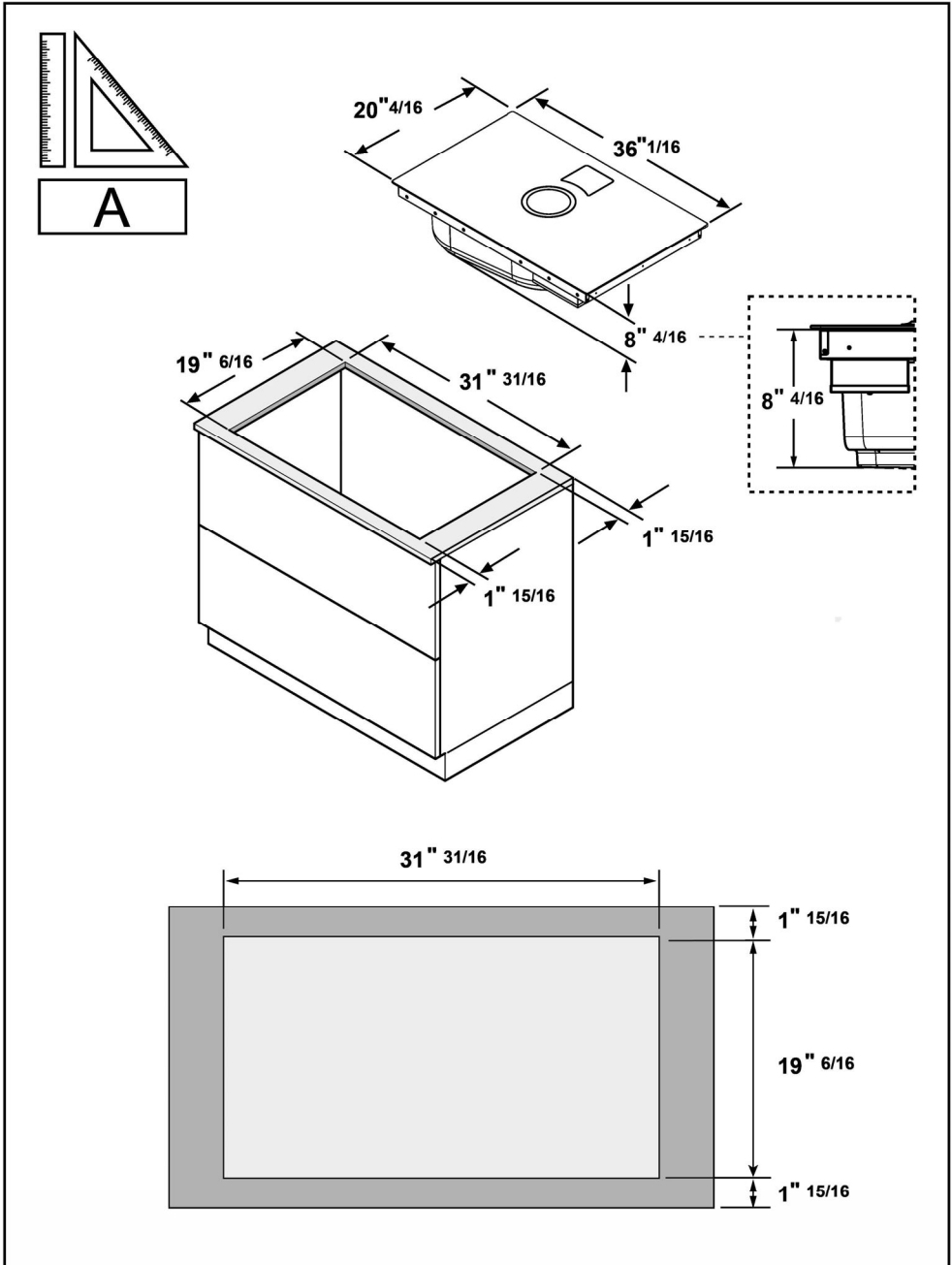
## Piezas suministradas

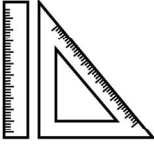


## Piezas no suministradas

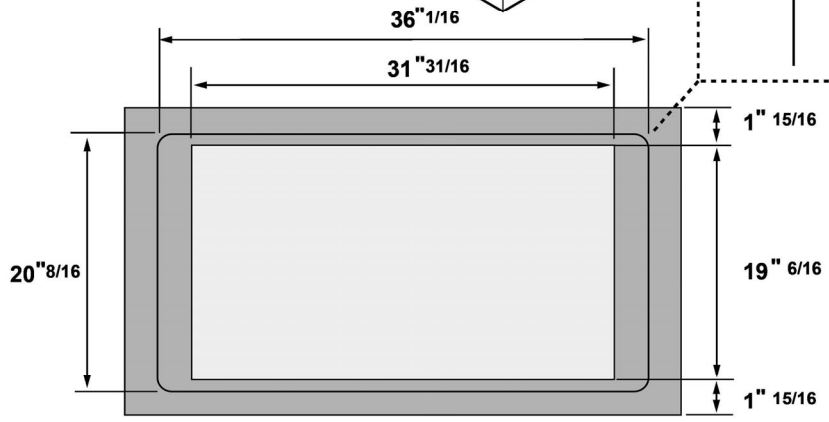
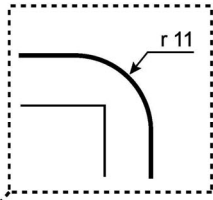
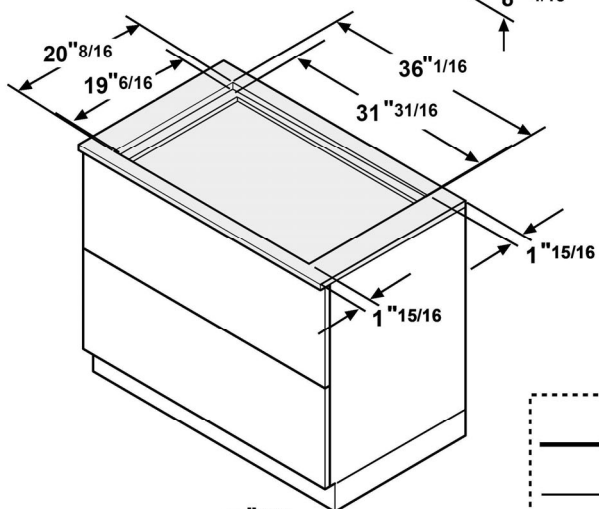
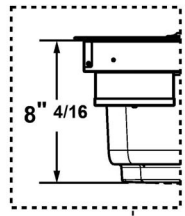
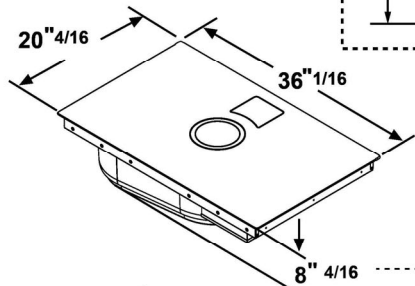
- Tubos, canal de cables y todas las herramientas necesarias para la instalación.

# Dimensiones y Espacios libres





**B**



# Utilización

El sistema de cocción por inducción se basa en el fenómeno físico de la inducción magnética. La característica fundamental de este sistema es la transferencia directa de energía del generador a la olla.

## Beneficios:

Comparada con las placas de cocción eléctricas, su placa de inducción es:

- **Más segura:** menor temperatura sobre la superficie del vidrio.
- **Más rápida:** tiempos menores de calentamiento de alimentos.
- **Más precisa:** la placa reacciona inmediatamente a los mandos
- **Más eficiente:** el 90% de la energía absorbida se transforma en calor. Además, una vez que se retira la olla de la placa, la transmisión de calor se interrumpe de inmediato, evitando así pérdidas innecesarias de calor.

## Recipientes para la cocción



Utilice solo ollas con el símbolo

### Importante:

para evitar daños permanentes en la superficie de la placa, no utilice:

- recipientes con fondo que no sea perfectamente plano.
- recipientes de metal con una base esmaltada.
- recipientes con una base rugosa, para evitar rayar la superficie de la placa.
- nunca coloque ollas o sartenes calientes sobre la superficie del panel de control de la placa

## Recipientes ya existentes

La cocción por inducción utiliza el magnetismo para generar calor. Por tanto, los recipientes deben tener hierro. Se puede comprobar si el material de la olla es magnético con un simple imán. Las ollas no son adecuadas si no se detectan magnéticamente.

## Diámetros del fondo de olla recomendados

**IMPORTANTE: si las ollas no tienen las dimensiones adecuadas, las zonas de cocción no se encienden.**

Para ver el diámetro mínimo de la olla a utilizar en cada zona individual, consulte la parte ilustrada de este manual.

## Ahorro energético

Para obtener mejores resultados se recomienda:

- Usar ollas y sartenes cuyo diámetro del fondo sea igual al de la zona de cocción.
- Usar únicamente ollas y sartenes con fondos planos.
- Siempre que sea posible, mantener la tapa sobre las ollas durante la cocción
- Cocinar verduras, patatas, etc. en una pequeña cantidad de agua para reducir el tiempo de cocción.
- El uso de ollas a presión reduce aún más el consumo de energía y el tiempo de cocción
- Colocar la olla en el centro de la zona de cocción dibujado en la placa.

# Instalación

**La instalación, ya sea eléctrica o mecánica, debe ser llevada a cabo por personal especializado.**

El electrodoméstico ha sido realizado para ser empotrado en un nivel de trabajo espesor 2-6 cm, en caso de instalación TOP; 2,5-6 cm en caso de instalación FLUSH.

La distancia mínima entre la placa de cocción y la pared debe ser de al menos 5 cm frontalmente, de al menos 4 cm lateralmente y de al menos 50 cm respecto a los colgantes superiores.

**NOTA = Las distancias sugeridas son indicativas: en el proyecto de los espacios deben ser seguidas las indicaciones del fabricante de la cocina.**

## Preparación de la campana para la instalación:

### Antes de iniciar con la instalación:

- Después de desembalar el producto verifique que no se haya dañado durante el transporte y en caso de problemas, contacte con el distribuidor o el Servicio de Atención al Cliente, antes de proceder a la instalación.
- Asegúrese de que el producto comprado sea de un tamaño adecuado para la zona de instalación escogida.
- Asegúrese de que en el interior del embalaje no hay (por motivos de transporte) materiales de embalaje (tales como bolsas con tornillos, garantías, etc.), que en su caso deberá ser quitado y guardado.
- Verifique también que cerca de la zona de instalación se encuentre disponible una toma de corriente.

### Preparación del mueble para el empotrado:

- El producto no puede ser instalado encima de dispositivos de refrigeración, lavavajillas, estufas, hornos, lavadoras o secadoras.
- Realizar todos los trabajos de corte del mueble antes de montar la placa de cocción y elimine cuidadosamente las virutas o los residuos de aserrín.

**¡ATENCIÓN!** La falta de montaje de tornillos y elementos de fijación según lo indicado en estas instrucciones puede comportar riesgos de naturaleza eléctrica.

**Nota:** para una correcta instalación del producto es recomendable aplicar en los conductos un adhesivo con las siguientes características:

- film elástico de PVC suave, con adhesivo a base de acrilato

- que cumpla la normativa DIN EN 60454
- retardante de llama
- resistencia excelente al envejecimiento
- resistencia a los cambios de temperatura
- se puede utilizar con bajos valores de temperatura

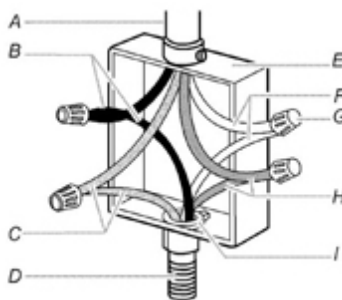
**IMPORTANTE:** utilice un adhesivo sellador monocomponente(S), con resistencia a la temperatura de hasta 250° ; antes de realizar la instalación es preciso limpiar esmeradamente las superficies a encolar eliminando toda sustancia que pueda perjudicar el encolado

(p.ej.: agente antiadherente, conservantes, grasas, aceites, polvos, residuos de viejos adhesivos etc.); el adhesivo debe ser distribuido de modo uniforme a lo largo de todo el perímetro del marco; tras finalizar el encolado, deje secar el adhesivo durante unas 24 horas.

**Fig. 1b**

### Cable de 4 hilos desde la fuente de alimentación doméstica al cable de 4 hilos desde la placa de cocción

**IMPORTANTE:** Utilice el cable de 4 hilos de la fuente de alimentación doméstica en EE. UU. y en Canadá, donde los códigos locales no permiten la conexión a tierra en hogares y vehículos recreativos, nuevas construcciones.



**A.** Cable de la fuente de alimentación doméstica

**B.** Hilos negros

**C.** Hilos de tierra verdes o amarillos-verdes

**D.** Cable de 4 hilos de la placa de cocción

**E.** Caja de conexión

**F.** Hilos blancos

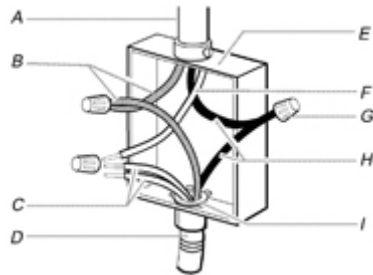
**G.** Conector de cable listado por UL

**H.** Hilos rojos

I. Conector de conducto listado por UL u homologado por CSA

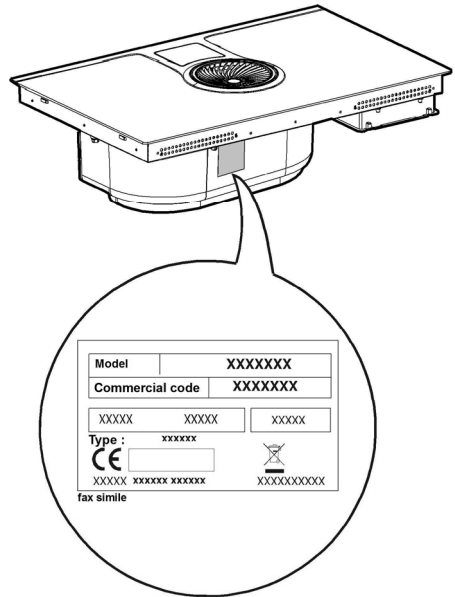
1. Conecte los 2 hilos negros juntos usando los conectores UL
  2. Conecte los 2 hilos rojos juntos usando los conectores UL
  3. Conecte los 2 hilos blancos juntos usando los conectores UL
  4. Conecte la toma de tierra verde o amarillo-verde del cable de la placa de cocción al hilo de tierra verde o amarillo-verde en la caja de conexión usando los conectores UL.
  5. Instalar la tapa de la caja de conexión.
- Cable de 3 hilos desde la fuente de alimentación doméstica al cable de 4 hilos de la placa de cocción (sólo en EE. UU.)**

**IMPORTANTE:** Utilice el cable de 3 hilos de la fuente de alimentación doméstica, donde los códigos locales permiten conectar el bastidor de tierra al hilo neutro de la caja de conexión (blanco).



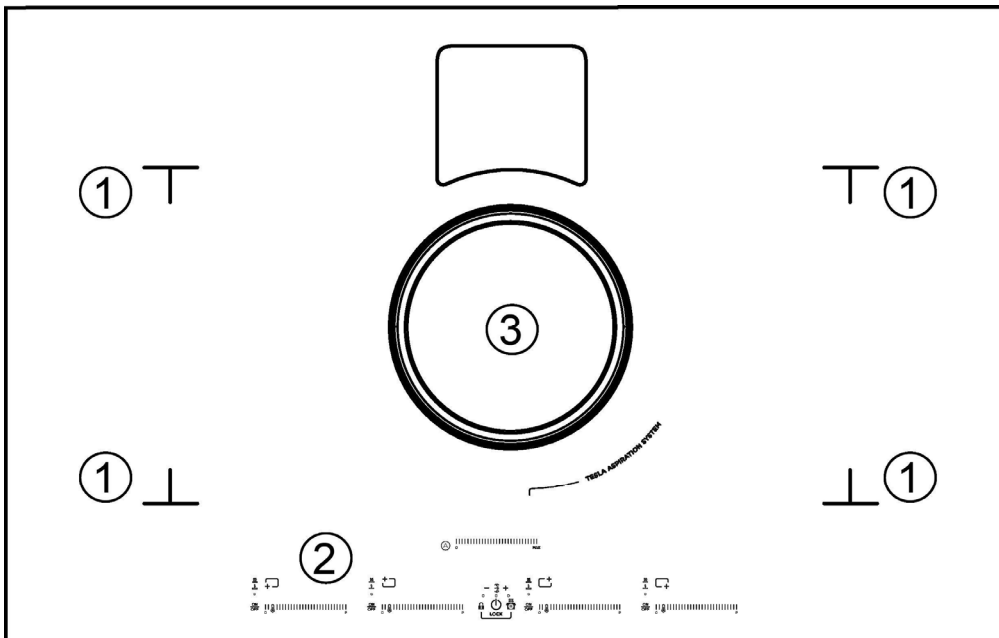
- A.** Cable de la fuente de alimentación doméstica  
**B.** Hilos rojos  
**C.** Hilo blanco e hilo verde (o amarillo-verde) de la placa de cocción  
**D.** Cable de 4 hilos de la placa de cocción  
**E.** Caja de conexión  
**F.** Hilos blancos  
**G.** Conector de cable listado por UL  
**H.** Hilos negros  
**I.** Conector de conducto listado por UL u homologado por CSA

1. Conecte los 2 hilos negros juntos usando los conectores UL
2. Conecte los 2 hilos rojos juntos usando los conectores UL
3. Conecte el cable de la placa de cocción verde o amarillo-verde y el blanco al hilo blanco (neutro) en la caja de conexión usando los conectores UL.
4. Instalar la tapa de la caja de conexión.



## Secuencia de instalación - pag.79

## Descripción de la campana y los controles



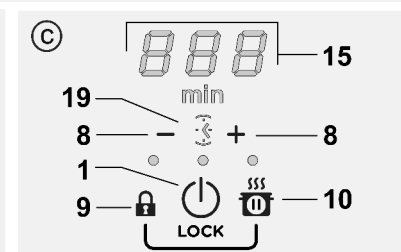
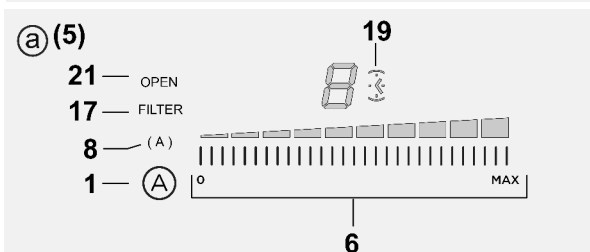
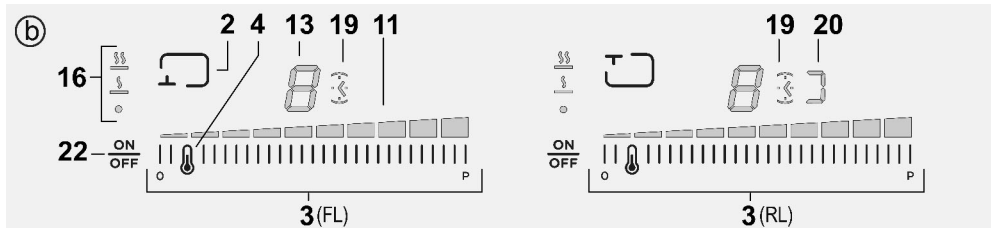
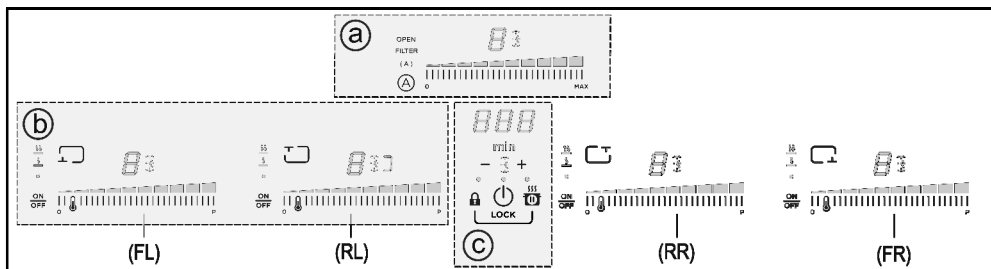
- 1 -Zone de cocción
- 2 - Panel de control
- 3 - Aspirador



# Controles

## Panel de control

**Nota:** Para seleccionar los mandos basta con tocar suavemente (presionar) los símbolos que los representan.



### Botones

1. ON/OFF de la placa de cocción/ aspirador para placa de cocción
2. Indicador posición zona de cocción
3. Selección zona de cocción
4. Aumento/Disminución Power Level
5. Activación Temperature Manager
6. Botones aspirador
7. Selección aspirador
8. Aumento/Disminución velocidad (potencia) de aspiración
9. Activación funciones automáticas
10. Reset saturación filtros
11. Activación Timer
12. Aumento/Disminución tiempo Timer
13. Key Lock
14. Child Lock
15. Pausa / Recall
16. ON/OFF zona de cocción

### Indicador / LED

11. Visualización Power Level
12. Visualización velocidad (potencia) de aspiración
13. Indicador zona de cocción
14. Indicador aspirador
15. Indicador Timer
16. Visualización Temperature Manager
17. Indicador asistencia filtros
18. Indicador función de aspiración automática
19. Indicador timer activo
20. Indicador Bridge activo
21. Indicador FLAP



## EMPLEO DE LA PLACA DE COCCIÓN

### Antes de iniciar:

Todas las funciones de esta placa de cocción están diseñadas para cumplir con las más estrictas normas de seguridad.


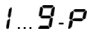






Por esta razón:

- **Algunas funciones no se activan, o bien se desactivan automáticamente en ausencia de ollas sobre la zona de cocción o cuando están colocadas de manera incorrecta.**
- En otros casos, las funciones activadas se desactivan automáticamente después de pocos segundos cuando la función seleccionada requiere un ajuste adicional que no se da (por ejemplo: “Encender la placa de cocción” sin “Seleccionar la zona de cocción” y la “Temperatura de ejercicio”, o bien la “Función Lock” o la “Timer”).

 **¡Cuidado!** En caso (por ejemplo) de uso prolongado, el apagado de la zona de cocción puede no ser inmediato, debido a que se encuentra en una fase de enfriamiento; en el indicador de las zonas de cocción aparece el símbolo  para indicar que se está ejecutando esta fase. Espere a que el indicador se apague antes de acercarse a la zona de cocción.

### Pantalla zona cocción

En las pantallas correspondientes a las zonas de cocción, se indica:

Zona de cocción encendida	
Power Level	
Residual Heat Indicator	
Pot Detector	
Función Temperature Manager activada	
Función Child Lock activada	
Función Pausa	
Función Automatic Heat UP	

### Características de la placa

#### ● Safe Activation

El producto se activa sólo con presencia de ollas en las zonas de cocción: el proceso de calentamiento no se activa o bien se interrumpe en caso de ausencia de ollas.


#### ● Pot Detector

El producto detecta de manera automática la presencia de ollas en las zonas de cocción.

#### ● Safety Shut Down

Por motivos de seguridad, cada zona de cocción cuenta con un tiempo de funcionamiento máximo que depende del nivel de potencia programado.


#### ● Residual Heat Indicator

Con el apagado de una o más zonas de cocción, la presencia de calor residual es indicada a través de una señal visual específica en la pantalla de la zona correspondiente, mediante el símbolo .

#### Funcionamiento

**Nota:** Para activar una función cualquiera, es preciso activar previamente la zona que se desea utilizar

#### ● Encendido

Pulse (toque)  **ON/OFF(1) placa de cocción/ aspirador**

El piloto se enciende para indicar que la placa de cocción/aspirador está lista para su uso

Presione de nuevo para apagar

**Nota: Esta función es prioritaria sobre todas las demás.**

#### ● Selección de las zonas de cocción

Toque ON/OFF(22), pulse la **Barra de selección (3)** correspondiente a la zona de cocción que se desee utilizar.

#### ● 9 Power Level

La placa está dotada de 9 niveles de potencia

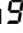
Toque y recorra con los dedos de modo prolongado la **Barra de selección (3)**:

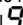
hacia la derecha para aumentar el nivel de potencia;

hacia la izquierda para disminuir el nivel de potencia;

#### ● Power Booster

El producto cuenta con un nivel de potencia adicional

(superior al nivel ) que permanece activo durante 10 minutos, sucesivamente la potencia regresa al nivel que se estaba usando anteriormente.

Toque y recorra con los dedos de modo prolongado **Barra de selección (3)** (más allá del nivel ) y active el Power Booster

El nivel Power Booster se muestra en el indicador de la zona seleccionada mediante el símbolo **P**

#### ● Bridge Zones

Las zonas de cocción gracias a la función Bridge, pueden funcionar en modalidad combinada creando una zona única con el mismo nivel de

potencia. Esta función posibilita una cocción homogénea con fuentes y ollas de gran tamaño.


Es posible utilizar en modalidad combinada, la zona de cocción frontal "Master" con la correspondiente en la parte posterior "Secundaria"

(para comprobar cuáles son las zonas en las que está prevista esta función, consulte la parte ilustrada de este manual)

### Para activar la Función Bridge:

- **seleccione contemporáneamente las dos zonas de cocción que se desean utilizar**

- el indicador Bridge (20) de la zona de cocción

"Secundaria" se ilumina 

- mediante la **Barra de selección (3)** de la zona de cocción "Master será posible programar el Nivel (Potencia) de ejercicio





- para desactivar la **Función Bridge** es suficiente repetir el mismo procedimiento activación

### ● Temperature Manager


Temperature Manager es una función que permite programar la temperatura pre-programada, más apta, para obtener el tipo de resultado que desea (consulte la tabla Temperature Manager al final de este capítulo).

**Seleccione la zona de cocción deseada.**

• Pulse una o más veces  (4) para escoger el nivel más idóneo entre los disponibles:

	Melting*	
	Warming*	
* Consulte la tabla Temperature Manager al final de este capítulo.		


• Pulse una vez más para apagar.

En el indicador de la zona de cocción que está trabajando en Temperature Manager aparece el símbolo 

### ● Key Lock

El Key Lock permite bloquear las programaciones de la placa, para impedir manipulaciones accidentales, dejando activa las funciones ya programadas.

**Activación:**

• pulse  (9)

• el LED colocado sobre el botón se enciende, para indicar la activación


**Repetir la operación para desactivar.**


### ● Child Lock

La función Child Lock permite evitar que los niños puedan encender de manera accidental las zonas de cocción y la zona de aspiración, dado que desactiva cualquier función. La función Child Lock puede activarse sólo cuando el aparato encendido y las zonas de cocción (y zona aspirante) están apagadas.

**Activación:**

• retire las ollas que puedan estar presentes sobre la placa de cocción

• pulse y mantenga pulsadas contemporáneamente  (9)

y la  (10), una señal acústica indica que la función está activa, y es visualizada una "L" en los indicadores (13) y (14).

**Repetir la operación para desactivar.**



### ● Timer

La función Timer es una cuenta atrás que se puede programar, incluso simultáneamente, para cada zona de cocción (y en la zona aspirante).


Una vez transcurrido el tiempo programado, las zonas de cocción (o la zona de aspiración) se apaga automáticamente y se emite una señal acústica de aviso para el usuario.


**Activación/Regulación de la función Timer para la placa de cocción**

• Seleccione la zona de cocción (potencia 1 0).

• Pulse   (8) para acceder a la función Timer

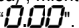
• Ajuste el tiempo de duración del Timer:

pulse el selector , para aumentar el tiempo de apagado automático


pulse el selector , para disminuir el tiempo de apagado automático

Si fuera necesario, repita la operación para las otras zonas de cocción.

**Nota:** Cada zona de cocción puede programarse con un Timer distinto; en el indicador (15) aparecerá, durante 10 segundos, la cuenta atrás de la última zona de cocción seleccionada, sucesivamente se visualizará la cuenta atrás con un tiempo inferior.


Cuando el timer finaliza la cuenta atrás se emite una señal acústica (durante 2 minutos, o se interrumpe pulsando un botón cualquiera de la placa), mientras que el indicador (15) parpadea, con el símbolo .

**Nota:** al lado del indicador de la zona de cocción, con Timer

en uso, aparece el símbolo  (19)

**Para el apagado del Timer:**

• seleccione la zona de cocción

• programar el valor del timer a "0", mediante 

**Nota:** la función permanece activa si mientras tanto no se presionan otros botones.

### ● Egg Timer

La función Egg Timer es una cuenta atrás independiente de las zonas de cocción (y de la zona aspirante). El Egg Timer se activa pulsando **— + (8)**.

**Nota** : para el ajuste de la función **Egg Timer** siga el mismo procedimiento de la función **Timer**.

Cuando el timer finaliza la cuenta atrás se emite una señal acústica (durante 2 minutos, o se interrumpe pulsando un botón cualquiera de la placa), mientras que el indicador **(15)** parpadea, con el símbolo "0.00".

### ● Pausa

La función Pausa permite suspender cualquier función activa en la placa, llevando a cero la potencia de cocción.

**Activación:**



• pulse **(10)**

• se visualiza una "i" en los indicadores **(13)**.

**Para desactivar la función:**

**Nota** : esta operación restaura las condiciones de la placa antes de la pausa



• pulse **(10)**

• en 10 segundos recorrer hacia la derecha con los dedos de modo prolongado

la **Barra de selección (3)**, relativa a la **zona de cocción 2 (FIG.19)**;

**Nota** : si la operación no es realizada en este tiempo la función pausa permanece activa.

**Nota** : si después de 10 minutos, la **Función Pausa** no es desactivada, la placa se apaga automáticamente.

### ● Recall

La función Recall permite recuperar todas las programaciones configuradas en la placa, en caso de apagado accidental.

**Activación:**

• **encienda de nuevo la placa** dentro de 6 segundos desde el apagado

• pulse dentro de los otros 6 segundos sucesivos

### ● Automatic Heat UP

La función Automatic Heat UP permite llevar más rápidamente a régimen la potencia programada; con esta función tenemos la ventaja de tener una cocción más rápida, pero sin el riesgo de quemar los alimentos, porque la temperatura no sobrepasa la del nivel programado. Esta función está disponible para los niveles de potencia 1 -8 .

**Activación:**

• pulse de modo prolongado, en la **Barra de Selección (3)**, la potencia deseada

• se visualiza una "i" en el indicador **(13)**.

## EMPLEO DEL ASPIRADOR

### ● Encendido

Pulse (toque) **ON/OFF(1) placa de cocción/ aspirador**

El piloto se enciende para indicar que la placa de cocción/aspirador está lista para su uso

Presione de nuevo para apagar

**Nota: Esta función es prioritaria sobre todas las demás.**

### ● Encendido del aspirador:

Toque (pulse) la **Barra de selección (6)** para activar el aspirador

### ● Velocidad (potencia) de aspiración:

Toque y recorra con los dedos de modo prolongado la **Barra de selección (6)**:

hacia la derecha para aumentar la velocidad (potencia) de aspiración (0-10);

hacia la izquierda para disminuir la velocidad (potencia) de aspiración (10-0);

### ● Timer

**Activación/Regulación de la función Timer para el aspirador**

• Seleccione el aspirador (velocidad <sup>1</sup> 0)

• Pulse **— + (8)** para acceder a la función Timer (desde cualquier velocidad)

• Ajuste el tiempo de duración del Timer:

pulse el selector **+**, para aumentar el tiempo de apagado automático

pulse el selector **—**, para disminuir el tiempo de apagado automático

en el indicador **(15)** aparece la cuenta atrás,

**Nota:** al lado del indicador del aspirador, con Timer en uso,

aparece el símbolo **(19)**

Cuando el timer finaliza la cuenta atrás se emite una señal acústica (durante 2 minutos, o se interrumpe pulsando un botón cualquiera de la placa), mientras que el indicador **(15)** parpadea, con el símbolo "0.00".

**Para el apagado del Timer:**

• seleccione la zona de cocción

• programar el valor del timer a "0", mediante **—**

**Nota:** la función permanece activa si mientras tanto no se presionan otros botones.

### ● Indicador de saturación filtros


La campana indica cuando es necesario llevar a cabo el mantenimiento de los filtros:

**Filtro grasas** el LED "FILTER"(17) se enciende

**Filtro para olores de carbón activado** el LED "FILTER"(17) parpadea

### ● Reset saturación filtros

Después de haber realizado el mantenimiento de los filtros (grasas y/o carbón activo) pulse de modo

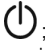
prolongado el botón  ;


el LED "FILTER" se apaga, haciendo partir de nuevo conteo del indicador.

### ● Activación del indicador de saturación filtro para olores de carbón activado

Este indicador generalmente está desactivado

Para activarlo, proceder del modo siguiente:

- encender la placa aspirante mediante  ;
- con motor de aspiración y zonas de cocción apagadas,

presionar y mantener presionado  ;

- "FILTER" se enciende, luego se apaga, para indicar la activación.

### ● Desactivación del indicador de saturación filtro para olores de carbón activo

repetir la operación arriba descrita para la activación


"FILTER" parpadea, luego se apaga para indicar la desactivación.

### ● Funcionamiento automático

La campana se enciende a la velocidad más adecuada, adaptando la capacidad de aspiración al nivel máximo de cocción usado en las zonas de cocción.

Cuando la placa de cocción es apagada, la campana adapta su velocidad de aspiración, disminuyéndola gradualmente, de modo de eliminar vapores y olores residuales.

Para activar esta función:


Pulse brevemente  (7), el LED "(A)" (18) se enciende para indicar que la campana está funcionando según esta modalidad..

### ● Funcionamiento automático de la campana con SNAP®

Para la conexión entre la campana y SNAP®, consulte el manual entregado con SNAP® o visite [www.elica.com](http://www.elica.com).

**Nota:** SNAP® es una unidad de aspiración auxiliar capaz de funcionar junto a la campana.

Para activar esta función:

Pulse brevemente  (7), el LED "(A)"(18) y el LED "SNAP" (21) se iluminan para indicar que la campana está funcionando en esta modalidad.

### ● Indicador FLAP abierto

El área de aspiración está equipada con un FLAP mecánico giratorio. Es necesario encender la campana y abrir el flap para activar el producto. La campana está equipada con un sensor que, cuando la aspiración está

activada, detiene el motor automáticamente si el FLAP está completamente cerrado. La aspiración solo comienza nuevamente cuando se vuelve a abrir el FLAP.

- al encender el aspirador, el motor no arrancará si el FLAP está cerrado: el LED "OPEN" (23) se ilumina, sonará un pitido largo, cada 5 segundos el indicador (12) parpadea

- cerrando el FLAP con el motor en marcha, el motor se detiene: el LED "OPEN" (23) se ilumina, sonará un pitido largo, cada 5 segundos el indicador (12) parpadea

# Tablas de potencia

Nivel de potencia (preestablecido)		Descripción
<b>S</b>	Melting	Identifica un nivel de potencia apto para derretir lentamente productos delicados sin comprometer las características sensoriales (chocolate, mantequilla etc.).
<b>SS</b>	Warming	Identifica un nivel de potencia apto para permitir de mantener la temperatura de sus comidas en modo delicado, sin alcanzar temperaturas de ebullición.

Nivel de potencia		Tipo de cocción	Uso del nivel (la indicación combina la experiencia y los hábitos de cocción)
<b>Max potencia</b>	<b>Boost</b>	Calentar rápidamente	Ideal para elevar en breve tiempo la temperatura de la comida hasta alcanzar una ebullición rápida, en caso de agua o rápidamente calentar líquidos de cocción
	<b>8-9</b>	Freír - hervir	Ideal para dorar, iniciar una cocción, freír congelados, hervir rápidamente
<b>Alta potencia</b>	<b>7-8</b>	Dorar – sofreír - hervir - grillar	Ideal para freír, mantener la ebullición viva, cocinar y asar a la parrilla (breve duración, 5-10 minutos)
	<b>6-7</b>	Dorar - cocinar – estofar – sofreír - grillar	Ideal para sofreír, mantener una ebullición ligera, cocinar y asar a la parrilla (duración media, 10 a 20 minutos), precalentar accesorios
<b>Media potencia</b>	<b>4-5</b>	Cocinar – estofar – sofreír - grillar	Ideal para estofar, mantener ebullición delicada, cocinar (larga duración). Condimentar la pasta
	<b>3-4</b>	Cocinar - cocinar a fuego lento – adensar - condimentar	Ideal para cocciones de larga duración (arroz, salsas, asados, pescado), en presencia de líquidos de acompañamiento (por ejemplo, agua, vino, caldo, leche), condimentar la pasta
	<b>2-3</b>	Cocinar - cocinar a fuego lento – adensar - condimentar	Ideal para una cocción de larga duración (volúmenes inferiores a un litro: arroz, salsas, asados, pescado), en presencia de líquidos de acompañamiento (por ejemplo agua, vino, caldo, leche)
<b>Baja potencia</b>	<b>1-2</b>	Fundir– descongelar – mantener caliente - condimentar	Ideal para ablandar mantequilla, derretir suavemente el chocolate, descongelar productos pequeños
	<b>1</b>	Fundir– descongelar – mantener caliente - condimentar	Ideal para mantener calientes pequeñas porciones de alimentos recién cocinados o mantener la temperatura en los platos para servir y condimentar el risotto
<b>OFF</b>	<b>Potencia cero</b>	Superficie de apoyo	Placa de cocción en posición de stand-by o apagado (posible presencia de calor residual de la final de la cocción, señalado con H-L-O)

# Tablas de cocción

Categoría de alimentos	Platos o tipo de cocción	Nivel de potencia y proceso de cocción			
		Primera fase	Potencias	Segunda fase	Potencias
Pasta, arroz	Pasta fresca	Calentamiento del agua	Booster-9	Cocción de la pasta y mantenimiento de la ebullición	7-8
	Pasta fresca	Calentamiento del agua	Booster-9	Cocción de la pasta y mantenimiento de la ebullición	7-8
	Arroz cocido	Calentamiento del agua	Booster-9	Cocción de la pasta y mantenimiento de la ebullición	5-6
	Risotto	Sofreír y tostar	7-8	Cocción	4-5
Verduras, legumbres	Cocidos	Calentamiento del agua	Booster-9	Cocción	6-7
	Fritos	Calentamiento del aceite	9	Frito	8-9
	Sofritos	Calentamiento del accesorio	7-8	Cocción	6-7
	Estofados	Calentamiento del accesorio	7-8	Cocción	3-4
	Sofritos	Calentamiento del accesorio	7-8	Dorar el sofrito	7-8
Carnes	Asar	Dorar carne con aceite (si con mantequilla, potencia 6)	7-8	Cocción	3-4
	Al ferri	Precalentamiento de la olla	7-8	Grillar ambos lados	7-8
	Dorado	Dorar con aceite (si con mantequilla, potencia 6)	7-8	Cocción	4-5
	Húmedo/estofado	Dorar con aceite (si con mantequilla, potencia 6)	7-8	Cocción	3-4
Pescados	Al ferri	Precalentamiento de la olla	7-8	Cocción	7-8
	Húmedo/estofado	Dorar con aceite (si con mantequilla, potencia 6)	7-8	Cocción	3-4
	Frito	Calentamiento del aceite o materia grasa	8-9	Frito	7-8
Huevos	Fritos	Calentamiento de la sartén con mantequilla o materia grasa	6	Cocción	6-7
	Omelet	Calentamiento de la sartén con mantequilla o materia grasa	6	Cocción	5-6
	Hervido	Calentamiento del agua	Booster-9	Cocción	5-6
	Pancake	Calentamiento de la sartén con mantequilla	6	Cocción	6-7
Salsas	Tomate	Dorar con aceite (si con mantequilla, potencia 6)	6-7	Cocción	3-4
	Ragù	Dorar con aceite (si con mantequilla, potencia 6)	6-7	Cocción	3-4
	Besciamela	Preparación de la base (derretir mantequilla y harina)	5-6	Llevar a ebullición ligera	3-4
Dulces, cremas	Crema pastelería	Llevar la leche a ebullición	4-5	Mantener ligera ebullición	4-5
	Pudines	Llevar la leche a ebullición	4-5	Mantener ligera ebullición	2-3
	Arroz con leche	Calentar leche	5-6	Mantener ligera ebullición	2-3

# Instrucciones para el servicio de venta y de postventa y mantenimiento

## Mantenimiento de la placa de cocción

¡Cuidado! Antes de realizar cualquier operación de limpieza o mantenimiento, asegúrese de que las zonas de cocción estén apagadas y que el indicador de calor esté apagado.

## Limpieza

La placa de cocción debe limpiarse después de cada uso.

### **Importante:**

No utilice esponjas abrasivas ni estropajos. Su empleo, a lo largo del tiempo, puede dañar el vidrio.

No utilice detergentes químicos irritantes, tales como spray para horno o quitamanchas.

Después de cada uso, deje enfriar la placa y límpiela para eliminar los residuos y las manchas causadas por los residuos de alimentos.

El azúcar o alimentos con un alto contenido de azúcar dañan la placa de cocción y deben eliminarse inmediatamente.

La sal, el azúcar y la arena pueden rayar la superficie del vidrio.

Utilice un paño suave, rollos de papel absorbente para cocina o productos específicos para limpiar la placa (siga las instrucciones del fabricante).

**¡NO UTILICE LIMPIADORAS A VAPOR !!!**

### **Importante:**

En caso de derrames accidentales y abundantes de líquido de las ollas, se puede intervenir mediante la válvula de descarga, situada en la parte inferior del producto, para poder eliminar todos los residuos y poder realizar una limpieza con total seguridad de higiene.

Fig.14

Para una limpieza completa y minuciosa, se puede quitar completamente la bandeja inferior

Fig.14.1 → 14.5

## Mantenimiento del aspirador

### Limpieza

Para la limpieza use **EXCLUSIVAMENTE** un paño humedecido con detergentes líquidos neutros. **¡NO UTILICE UTENSILIOS NI INSTRUMENTOS PARA LA LIMPIEZA!**

No utilice productos que contienen abrasivos.

**¡NO UTILICE ALCOHOL!**

## Filtro contra la grasa

### Filtro para grasa

**Retiene las partículas de grasa procedentes de la cocción.**

Se debe limpiar una vez al mes (o cuando el sistema de indicación de saturación de filtros indica dicha necesidad), con detergentes no agresivos, manualmente o bien en el lavavajillas con un programa breve y a baja temperatura.

Cuando el filtro metálico de grasa se lava en el lavavajillas puede decolorarse pero ello no afecta de ninguna manera sus características de filtrado.

Fig. 13 → 13.1

## Filtros de Carbón

### Filtro De Carbón Activado - Cerámico

**(Solo para Versión Filtrante)**

**Retiene los olores desagradables provenientes de la cocción.**


El producto está dotado de cuatro baterías de filtros que retienen los olores gracias a los carbones activados. Los carbones activados están integrados a una estructura cerámica que los hace fácil y completamente accesibles de las impurezas, creando así una elevada superficie de absorción.

La saturación de los **filtros de cerámica de carbones activados** se ocasiona tras un uso más o menos prolongado según el tipo de cocina y de la frecuencia de la limpieza del filtro de grasa. Estos filtros para olores pueden ser regenerados térmicamente cada 2/3 meses en horno precalentado a 200°C por 45 minutos. La regeneración permite una duración máxima de los filtros de 5 años.

Fig.15 → 15.12



# Solución de daños

CÓDIGO DE INFORMACIÓN	DESCRIPCIÓN	CAUSAS POSIBLES	SOLUCIÓN
E2	La zona de mandos se apaga debido a una temperatura demasiado elevada	La temperatura interna de las partes electrónicas es demasiado alta	Espere a que la placa se enfríe antes de utilizarla de nuevo
ERR03 + señal acústica 	Es detectada una activación continua (permanente) del botón. La interfaz se apaga después de 10 segundos.	Agua, ollas o utensilios de cocina, sobre la interfaz usuario.	Limpiar la superficie, remover eventuales objetos de la placa.
Para todas las demás indicaciones de error ( E ... U ... )	Llame al servicio de asistencia técnica e indique el código del error		

## Servicio de asistencia

Antes de ponerse en contacto con el Servicio de Asistencia

1. Asegúrese de que no sea posible solucionar el problema por su cuenta teniendo en cuenta los puntos descritos en "Localización de averías".
2. Apague y vuelva a encender el aparato para asegurarse de que el problema se ha solucionado.

**Si tras realizar las verificaciones arriba descritas, el problema persiste, contacte con el Servicio de Asistencia técnica más cercano.**



**Parrilla eléctrica :** ENS436BL

**Tensión asignada:** 120/208 V~

**Frecuencia:** 60 Hz

**Consumo de potencia:** 7100 W

**consumo de corriente:** 35,7 A

**Contenido:** 1 pieza.

**Hecho en Italia**

**Fabricado por:** Elica SPA

**Importado por:** ELICAMEX S.A. de C.V.

**Dirección:** Av. La Noria No. 102 int. S/N, Col. Parque Industrial Querétaro  
Del. Santiago de Querétaro, C.P. 76220 Querétaro, R.F.C. EI1060102RK8

# Garantía

## ***ELICA North America* GARANTIA LIMITADA DE DOS AÑOS.**

### **PARA OBTENER SERVICIO DENTRO DE GARANTIA.**

El propietario debe presentar su recibo original de la compra. Guarde por favor una copia de su recibo de compra como prueba, para recibir el servicio dentro del periodo de garantía.

### **PARTES Y GARANTIA DE SERVICIO.**

Por el periodo de (2) dos años desde la fecha original de la compra, Elica proveerá, gratuitamente, partes no-consumibles o componentes que hayan fallado debido a defectos de fabricación. Durante estos (2) años de garantía limitada, Elica también proveerá gratuitamente, todo el servicio en casa y mano de obra necesaria para reemplazar cualquier parte defectuosa.

### **QUE NO ESTA CUBIERTO**

- Daños o fallas del producto causados por accidente o actos de Dios, tales como inundaciones incendios o terremotos.
- Daños o fallas causadas por alteración del producto o por el uso de partes no-originales.
- Daños o fallas del producto causados durante la entrega, manejo o instalación.
- Daños o fallas del producto causados por abuso del usuario.
- Daños o fallas del producto causados por reemplazo de fusibles dañados o reseteo de interruptor de circuito.
- Daño o fallas causados por el uso del producto en un ambiente comercial (no doméstico).
- Viajes de servicio debidos a dudas sobre el uso o instalación del producto.
- Bombillas, filtros de carbón o metal y cualquier otra parte consumible.
- Desgaste normal.
- Desgaste terminal debido a abusos del usuario, mantenimiento inadecuado, uso de productos / toallas de limpieza corrosivos o abrasivos y por uso de limpiadores para hornos.

### **QUIEN ESTA CUBIERTO**

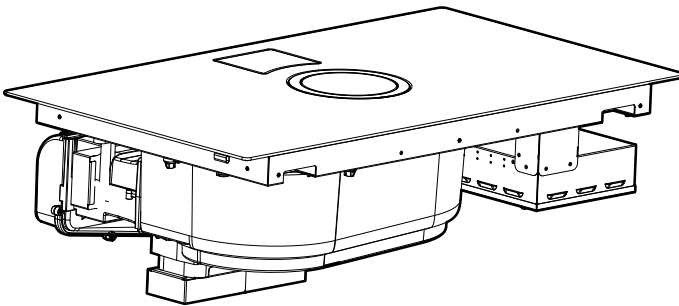
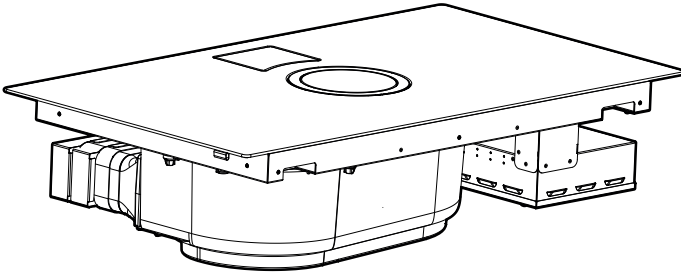
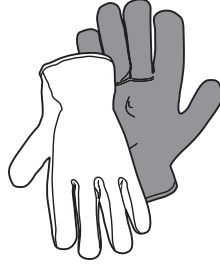
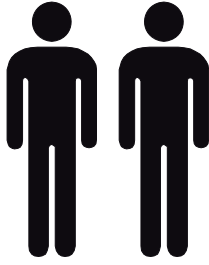
Esta garantía se extiende al comprador original de productos adquiridos para uso residencial en Norte América (incluyendo Estados Unidos, Guam, Puerto Rico, Islas Vírgenes de USA y Canadá). Esta garantía no es transferible y aplica solamente al comprador original y no se extiende a propietarios subsecuentes del producto. Esta garantía se expresa en lugar de otras garantías, expresadas o implicadas, incluyendo, pero no limitada a ninguna garantía implicada de comercialización o adaptada para propósitos particulares y cualquier otra obligación por parte de Elica North America, considerando, sin embargo, que si la negación de garantías implícitas es inefectiva bajo la ley aplicable, la duración de cualquier garantía implícita será limitada a dos (2) años desde la fecha original de compra o por el periodo necesario como sea requerido por la ley aplicable.

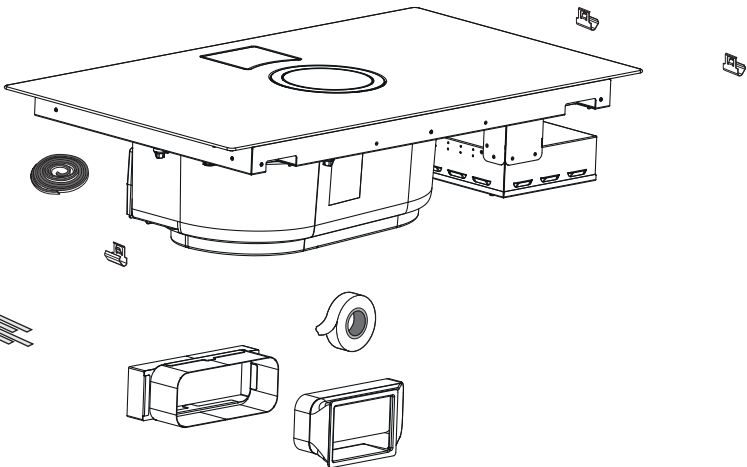
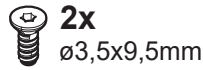
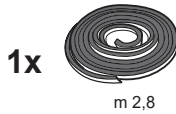
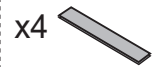
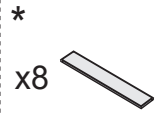
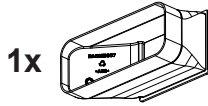
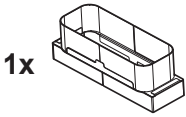
Esta garantía no cubre cualquier daño especial, incidental y/o consecuente, ni pérdidas de ganancias, sufridas por el comprador original, sus clientes y/o usuarios del producto.

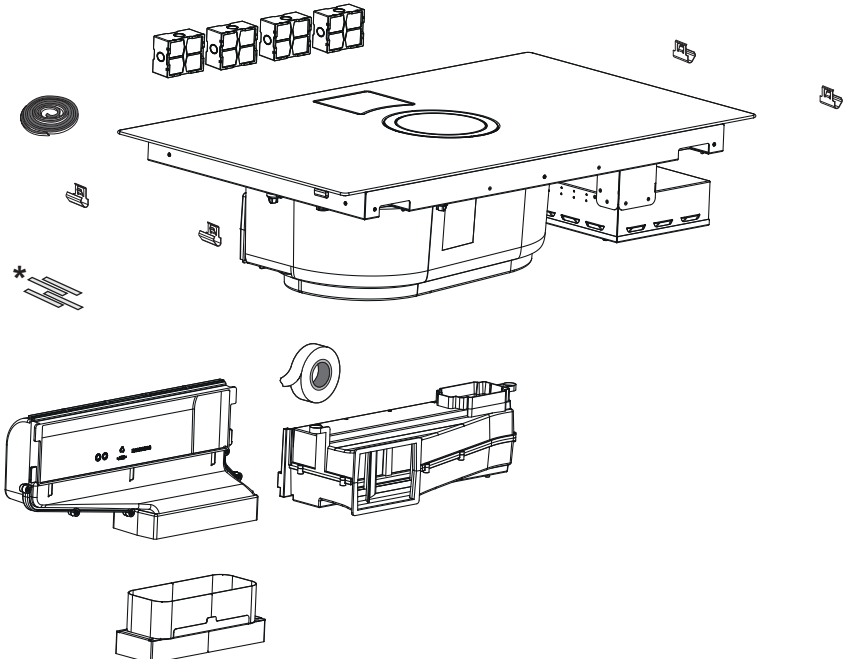
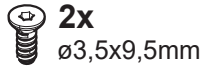
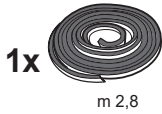
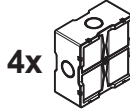
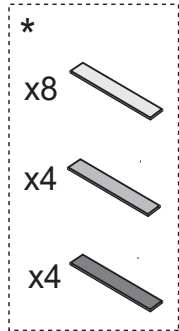
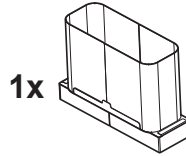
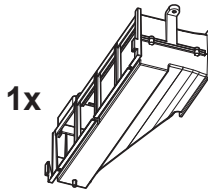
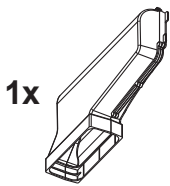
### **A QUIEN CONTACTAR**

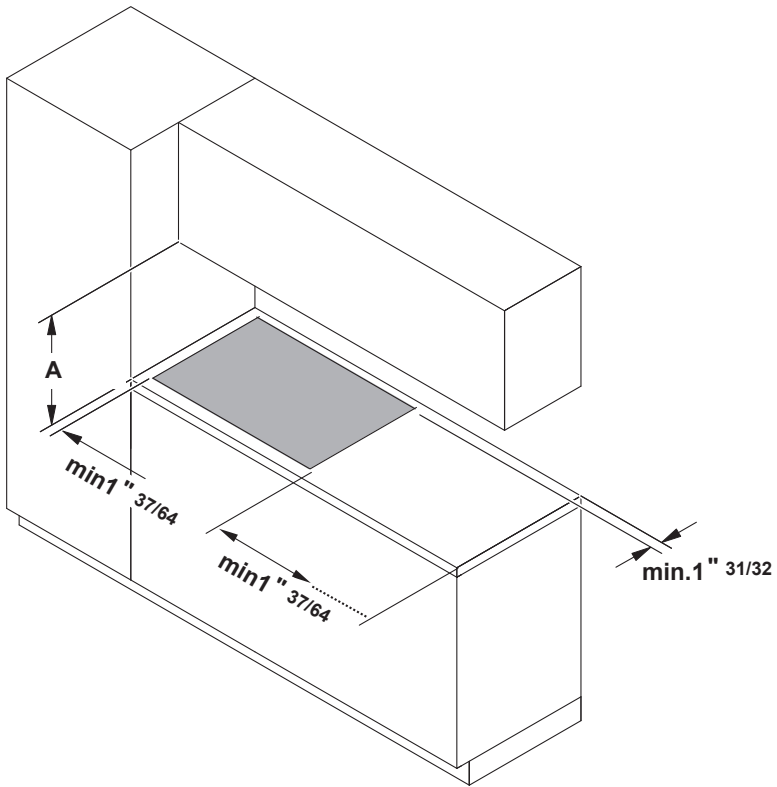
Para obtener servicio bajo garantía o para cualquier pregunta relacionada a servicio.

- Servicio Autorizado de Elica North America - (714) 428-0046
- [elica@servicepower.com](mailto:elica@servicepower.com)







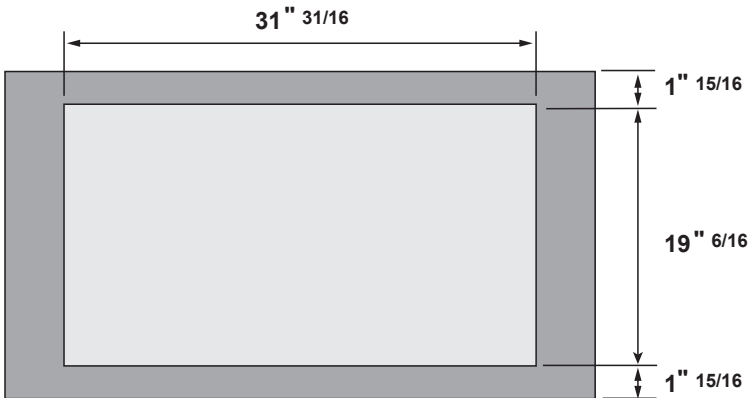
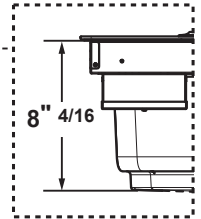
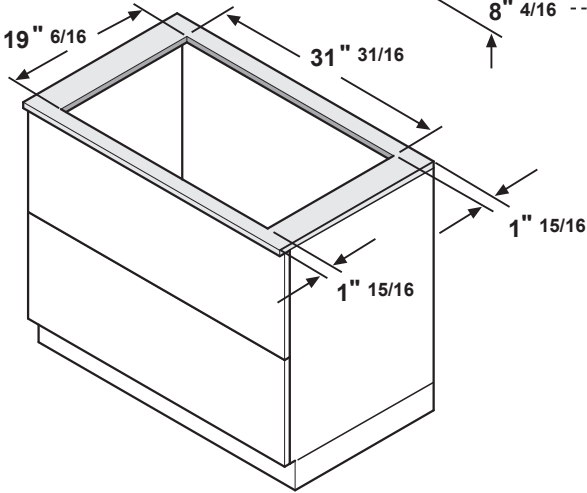
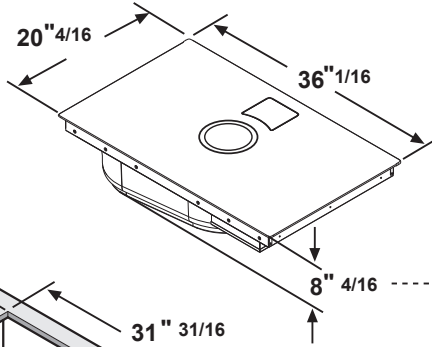
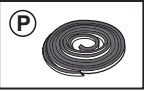
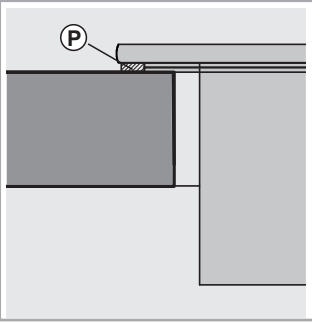


**A = 30" (76.2 cm) minimum clearance between top of cooktop platform and bottom of uncovered wood or metal cabinet (24" [61 cm] minimum clearance if bottom of wood or metal cabinet is covered by not less than 1/4" [0.6 cm] flame retardant millboard covered with not less than No. 28 MSG sheet steel, 0.015" [0.04 cm] stainless steel, or 0.024" [0.06 cm] aluminum or 0.020" [0.05 cm] copper)**

**Un espace minimum de A = 30" (76,2 cm) entre le dessus de la table de cuisson et le bouton de l'armoire en bois ou en métal non couverte (24" [61 cm] une distance minimale si le fond de l'armoire en bois ou en métal doit être couverte de carton ignifuge 1/4" [0,6 cm] avec une feuille d'acier d'au moins MSG No. 28, 0,015" [0,04 cm] d'acier inoxydable, ou 0,024" [0,06 cm] d'aluminium ou 0,020" [0,05 cm] de cuivre)**

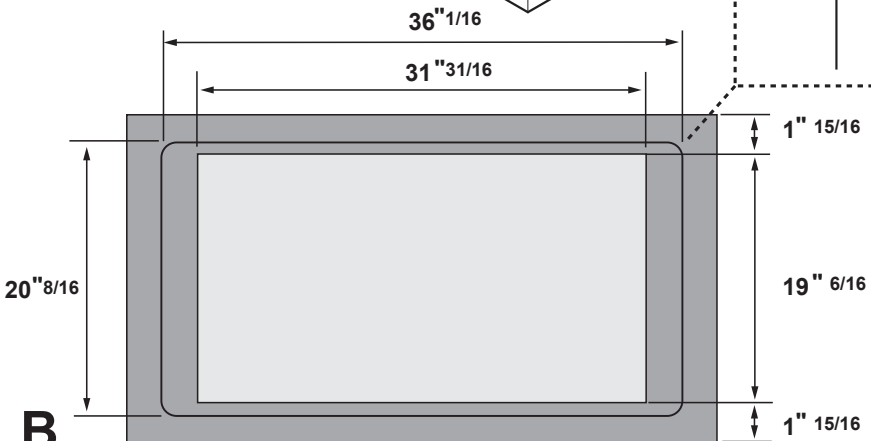
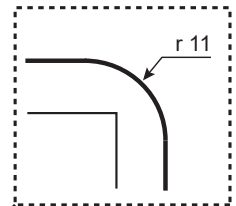
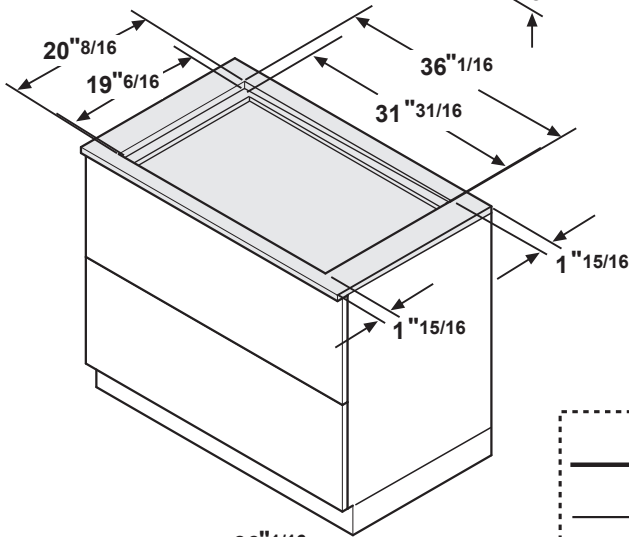
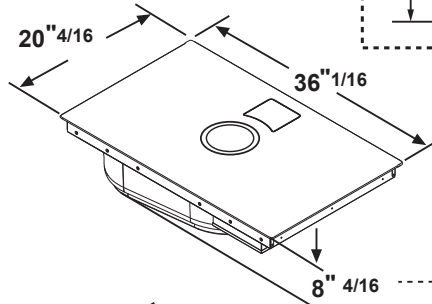
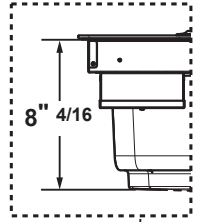
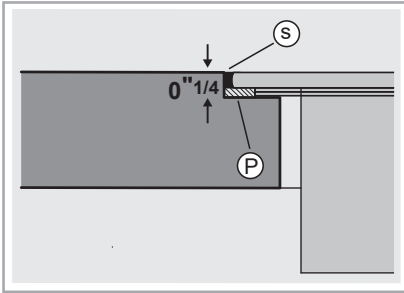
**A = 30" (76,2 cm) de espacio mínimo entre la parte superior de la encimera donde se encuentra la placa de cocción y la parte inferior del armario de madera o metal descubierto (24" [61 cm] de espacio libre mínimo si la parte inferior del armario de madera o metal está cubierta con un mínimo de 1/4" [0,6 cm] de madera ignifuga cubierta con un mínimo de chapa de acero No. 28 MSG, de acero inoxidable de 0,015" [0,04 cm], de aluminio de 0,024" [0,06 cm] o de cobre de 0,020" [0,05 cm])**

inst. A



1.A

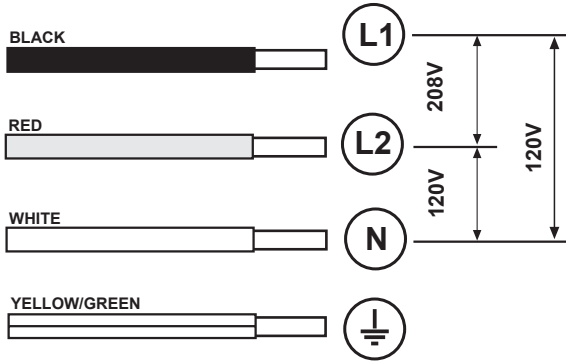
inst. B



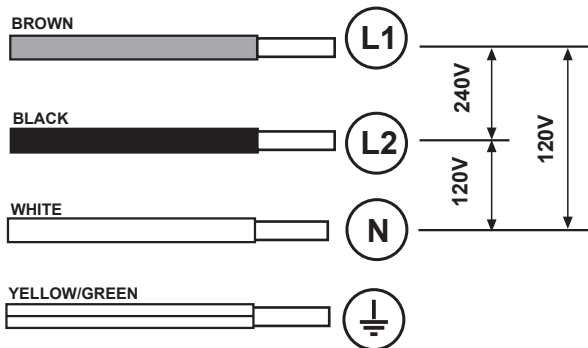
1.B

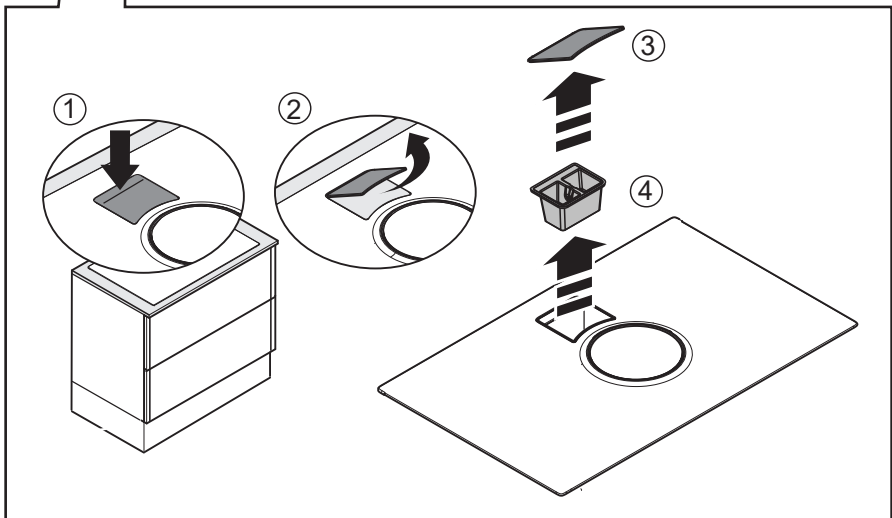
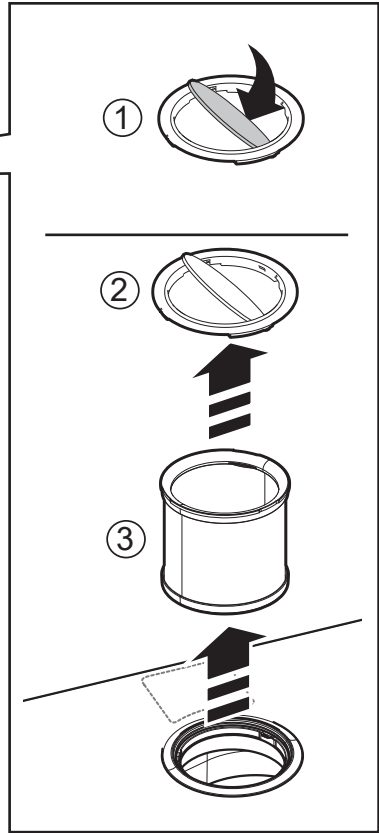
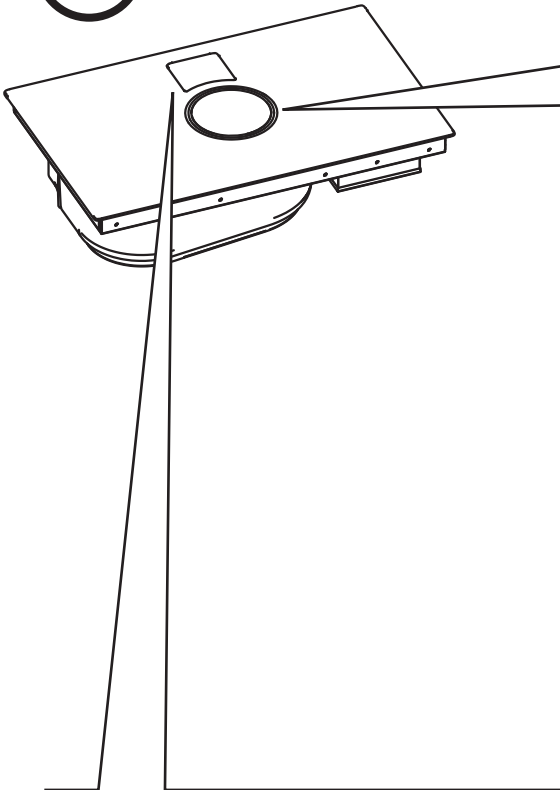


## 120/208V 3 wire 60Hz



## 120/240V 3 wire 60Hz

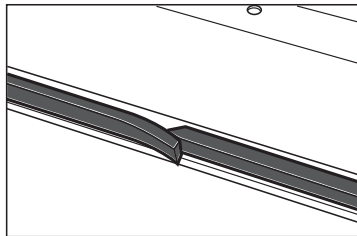
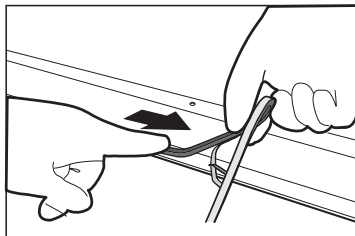
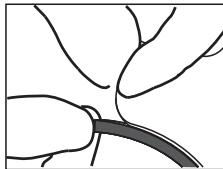
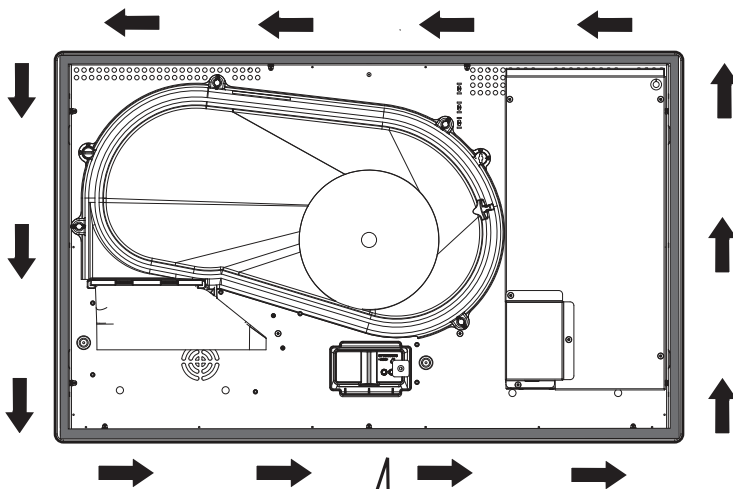
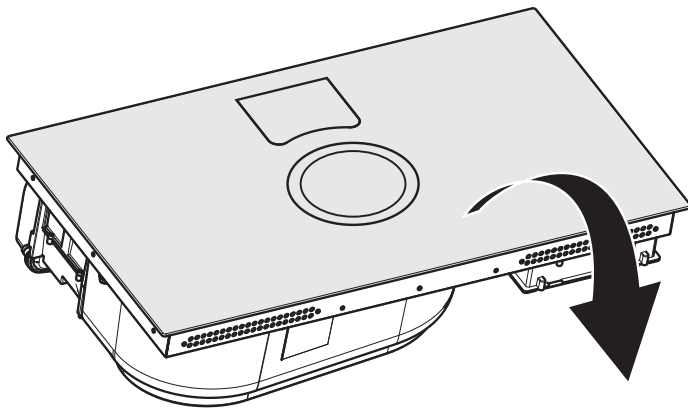




inst. A



1 x  
2,8 m

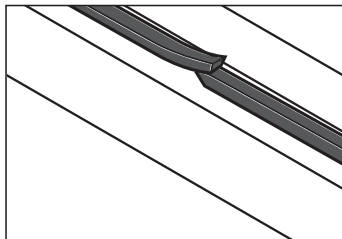
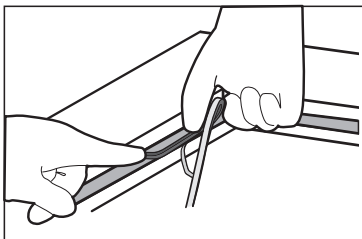
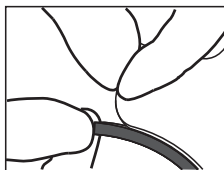
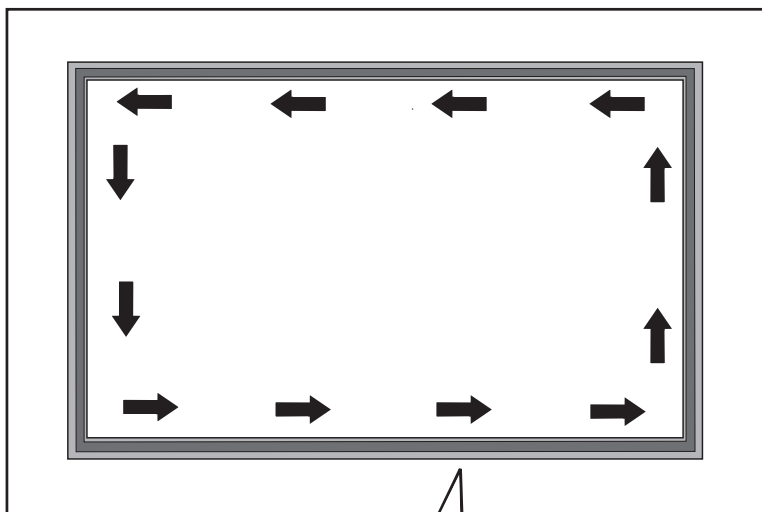
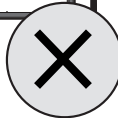
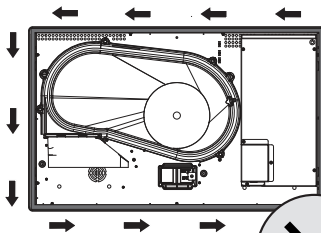
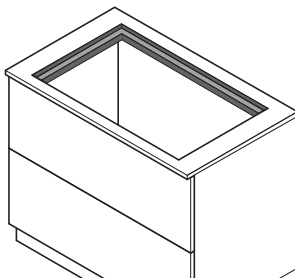


3.A

inst. **B**

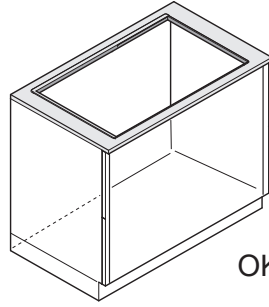
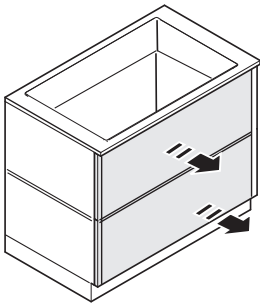


1 x  
2,8 m

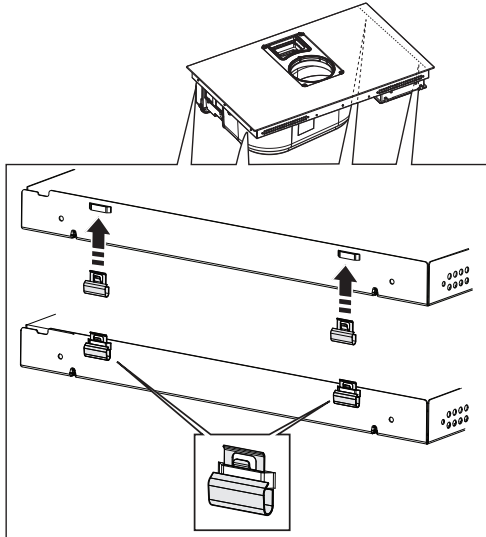
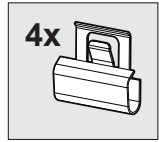


**3.B**

4

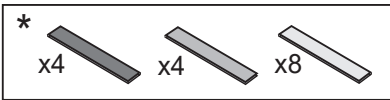


OK!

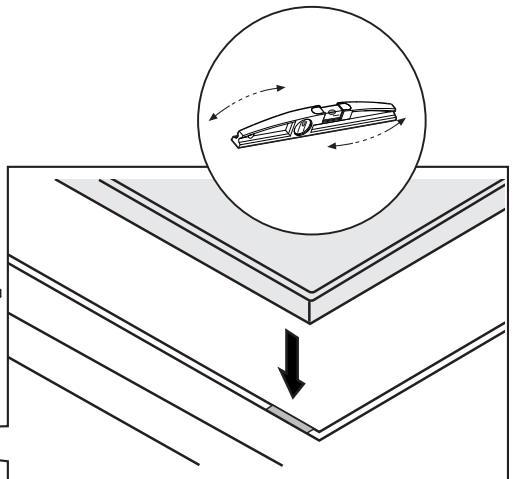
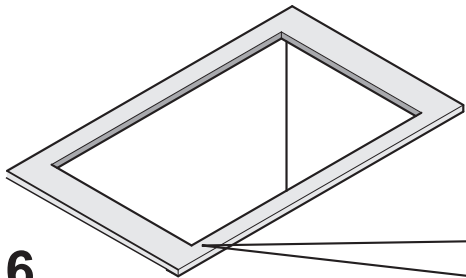


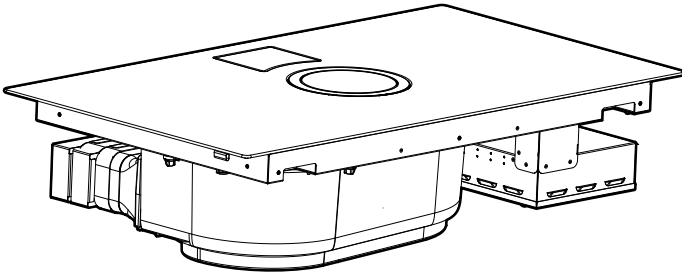
5

inst. B

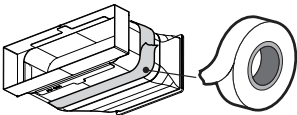
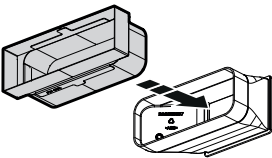


6

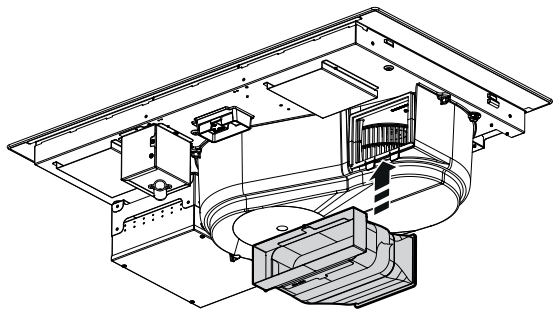




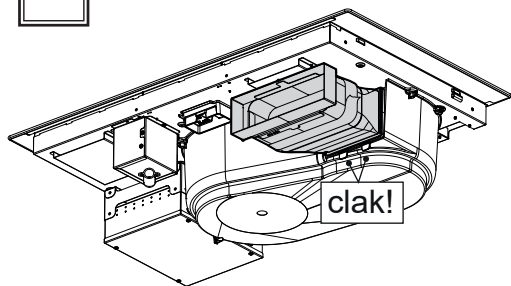
7



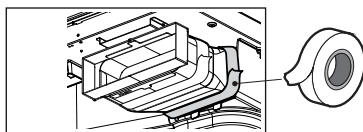
7.1



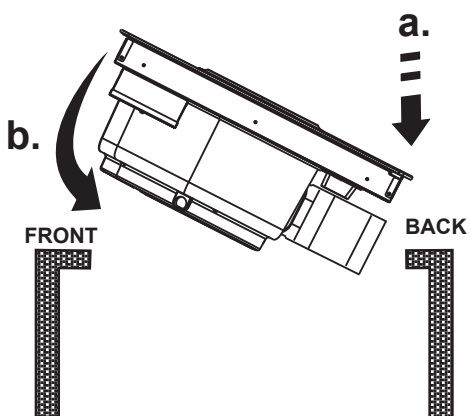
7.2



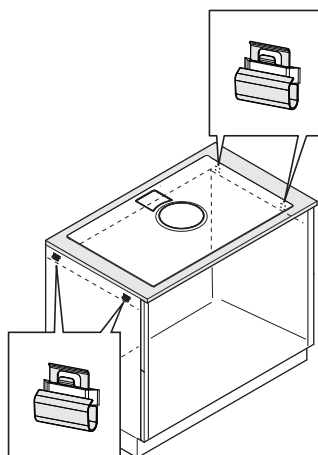
7.3



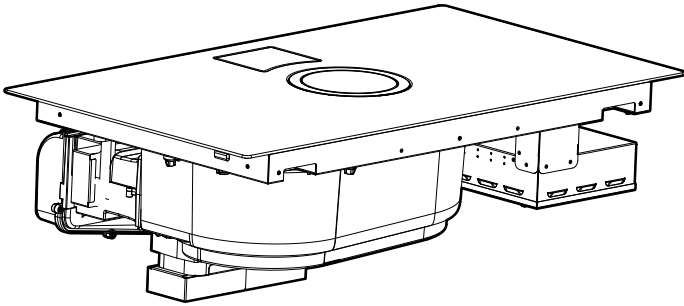
7.4



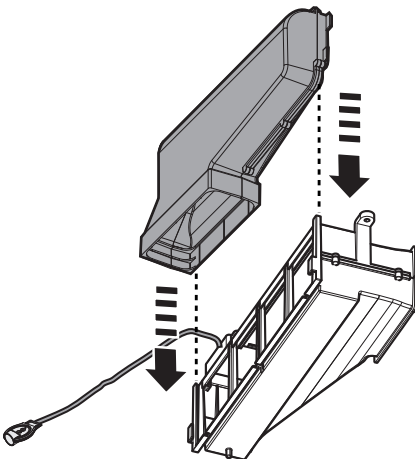
8



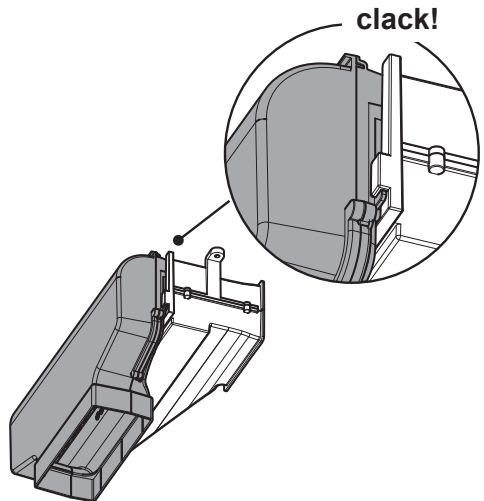
9



10

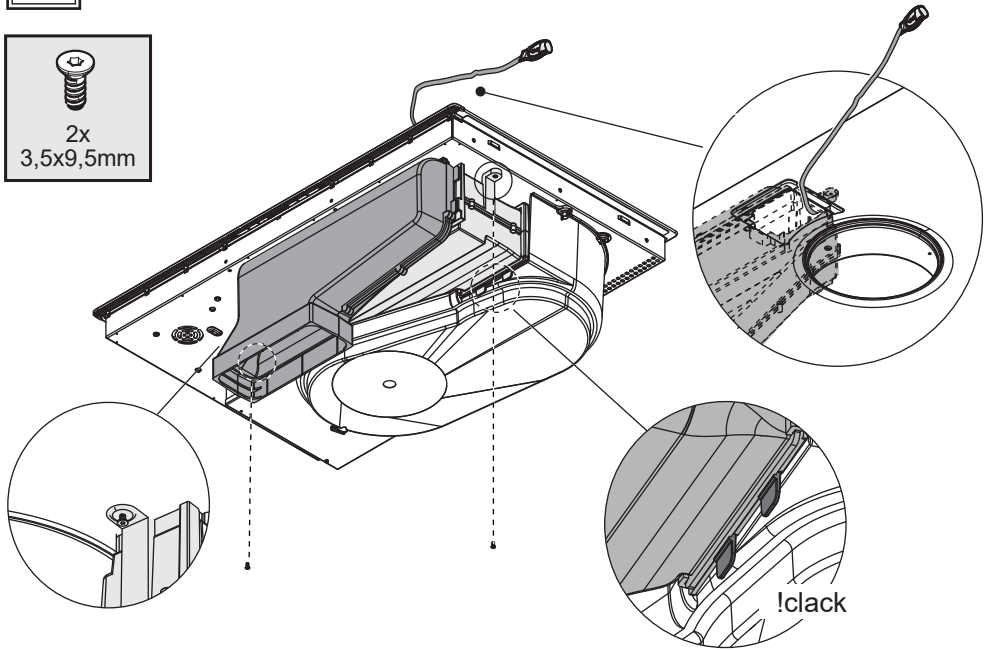
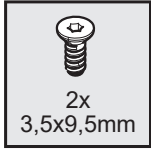


10.1

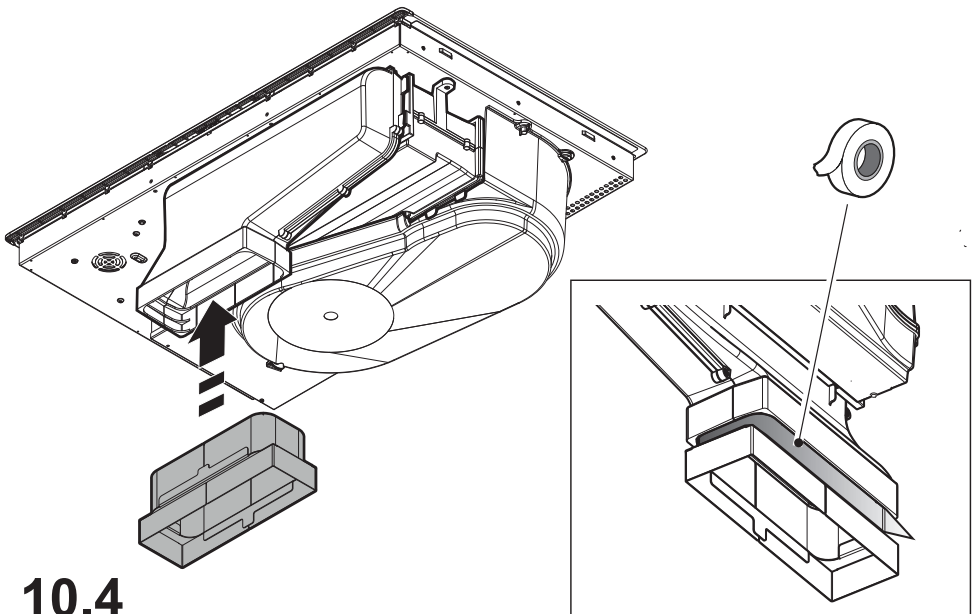


10.2

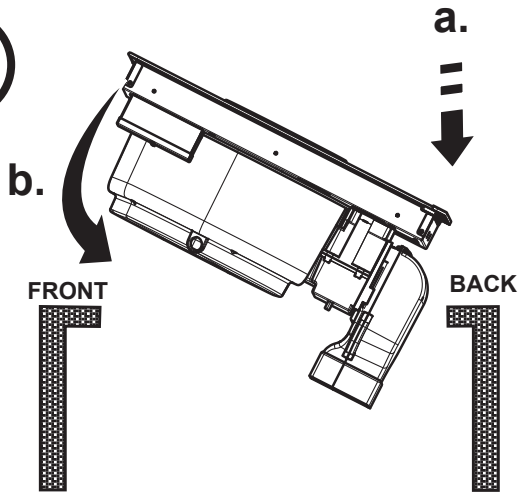




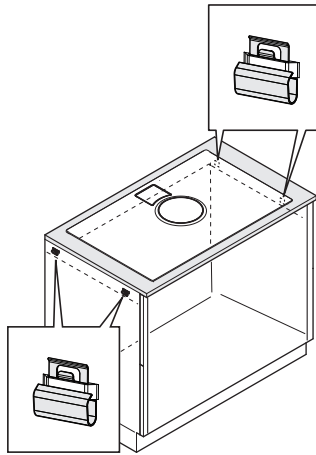
**10.3**



**10.4**



11



12

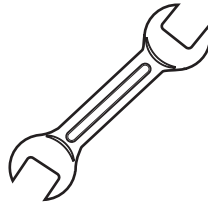


fig.15

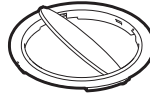
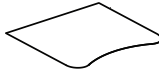


fig.13

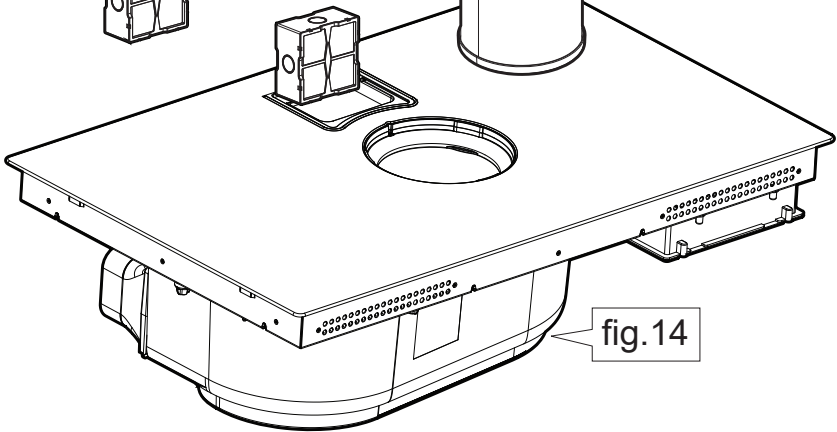
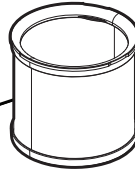
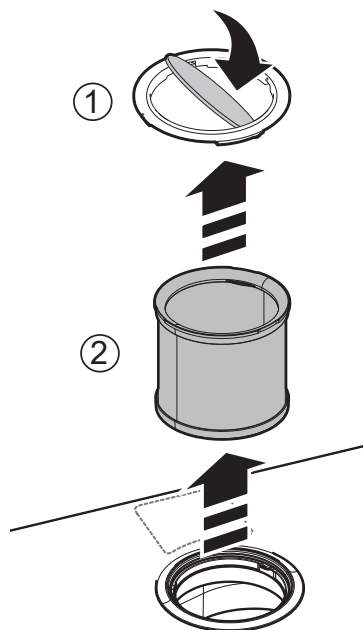
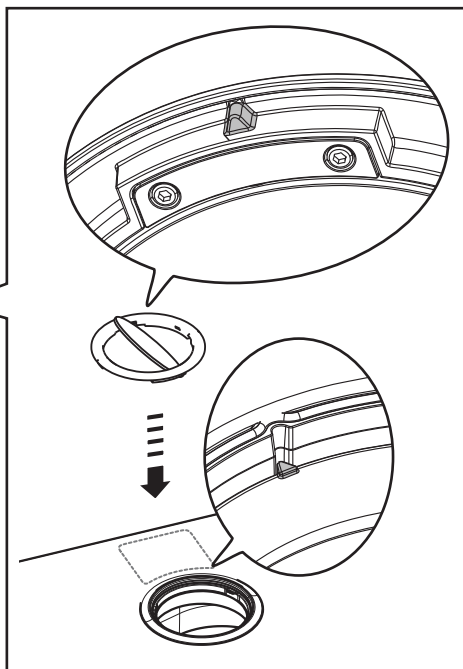
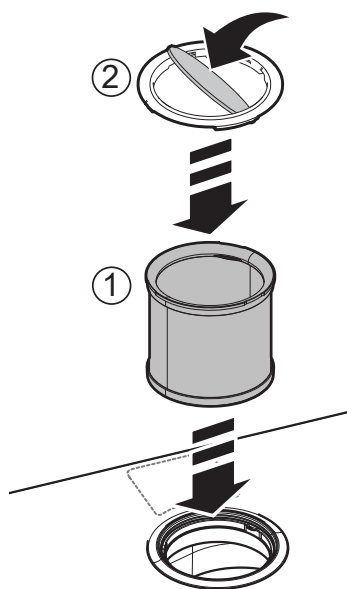


fig.14

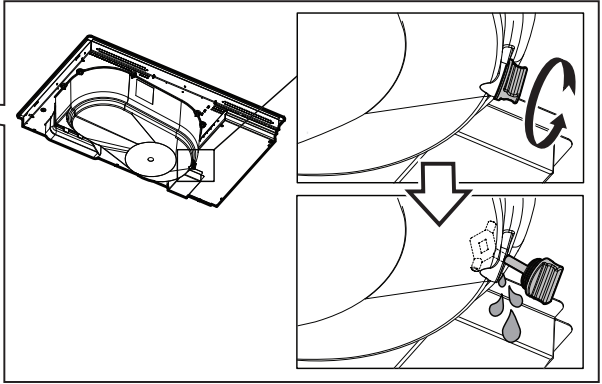
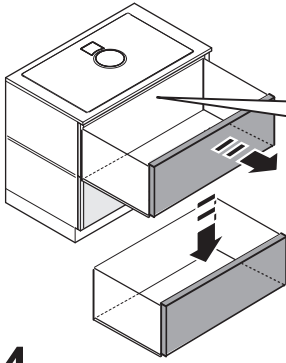


13

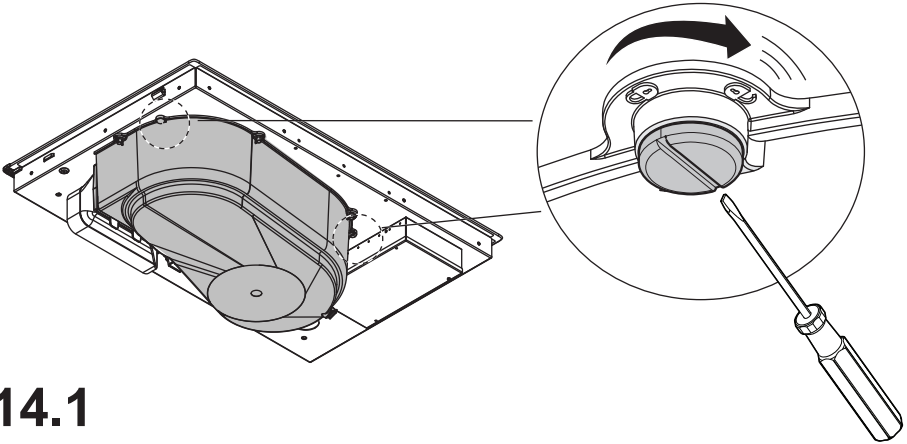


13.1

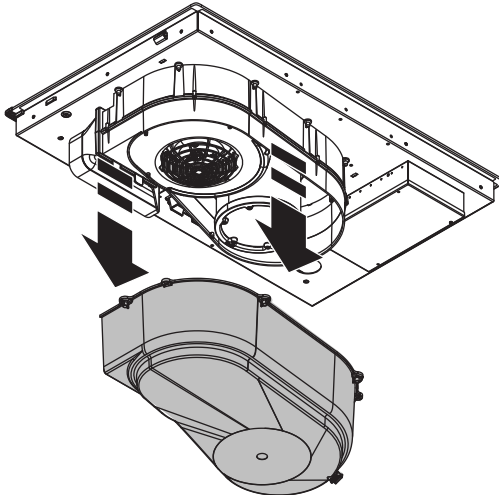
14

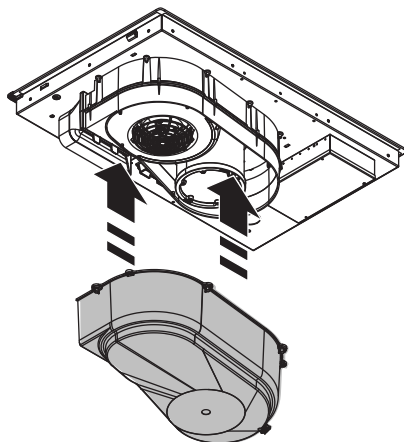


14.1

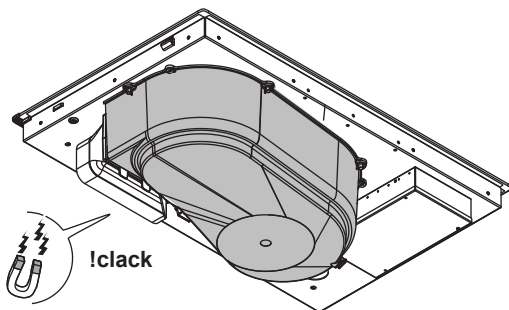


14.2

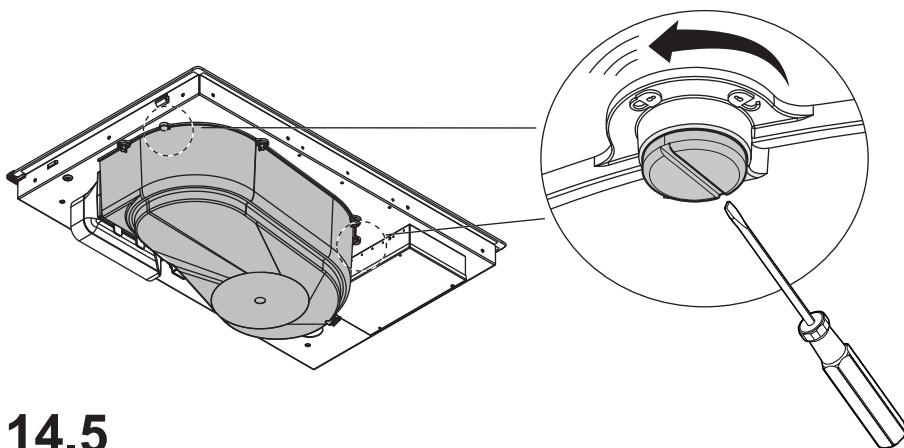




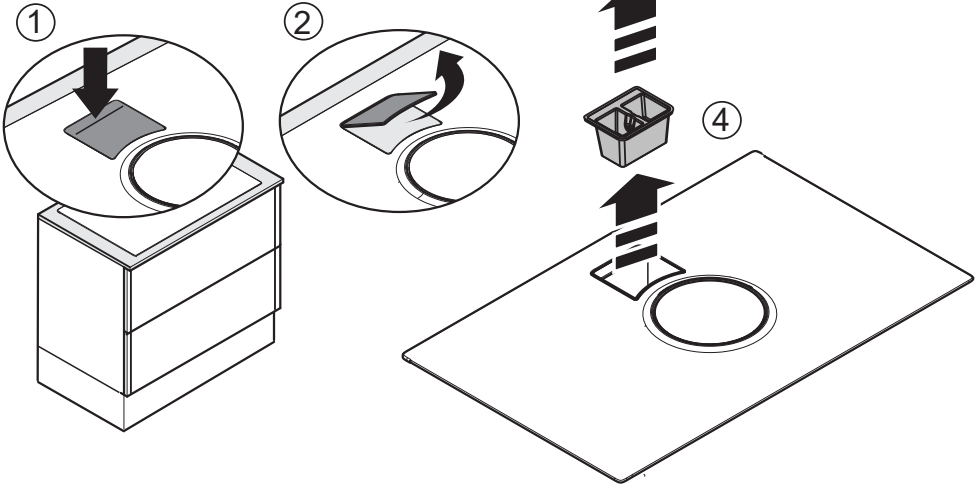
**14.3**



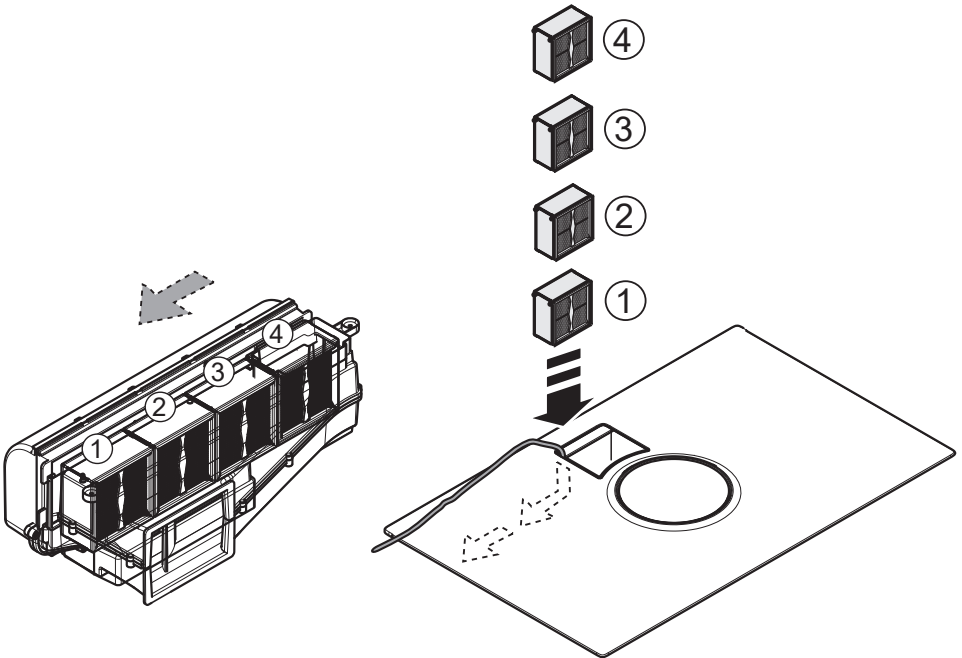
**14.4**



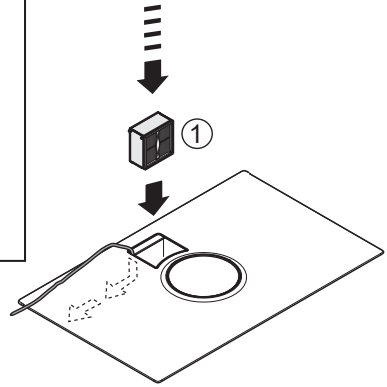
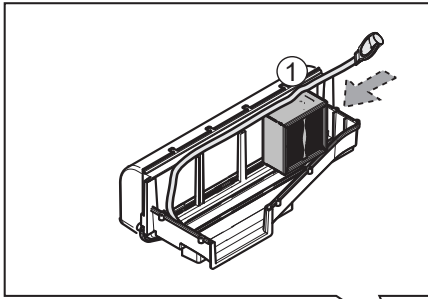
**14.5**



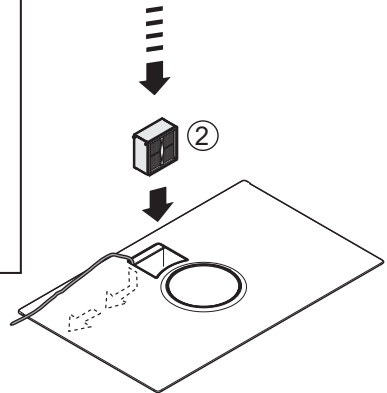
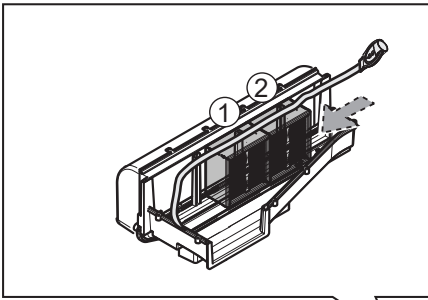
15



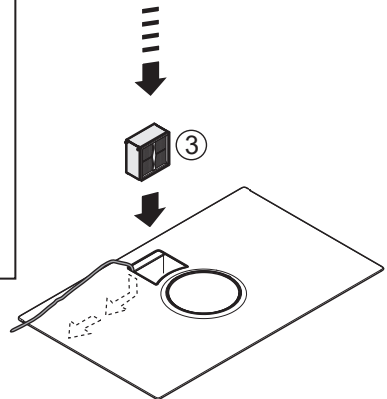
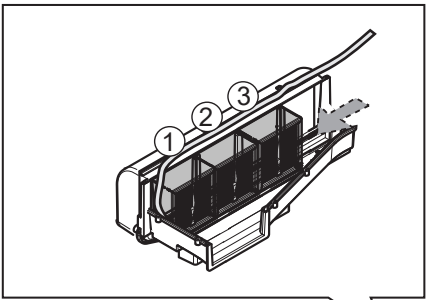
15.1



**15.2**

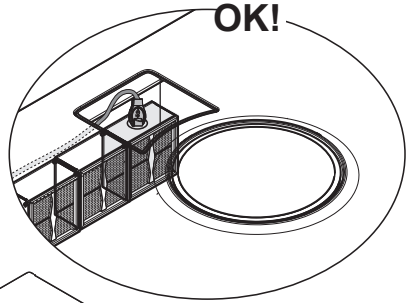
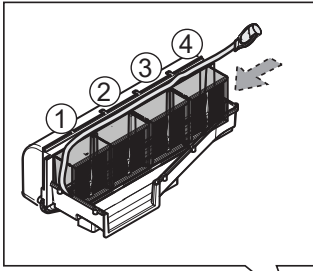


**15.3**

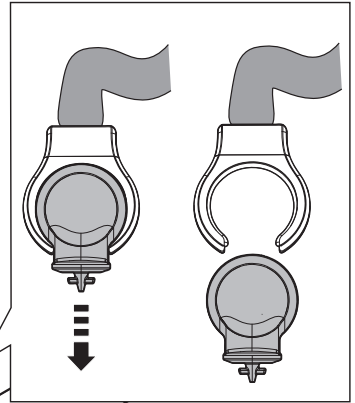
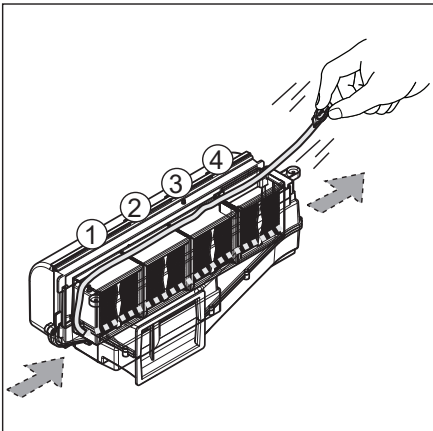


**15.4**

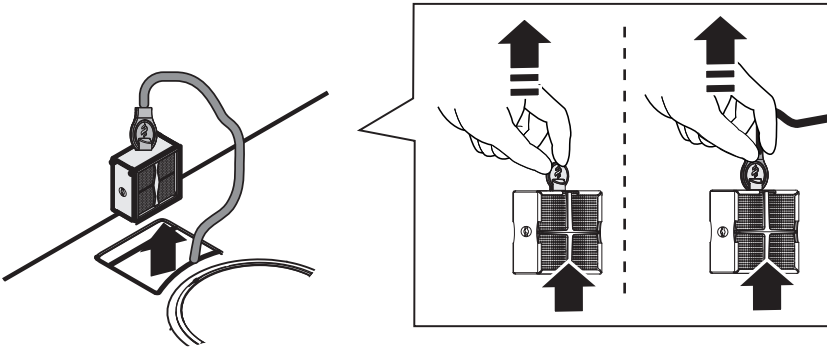
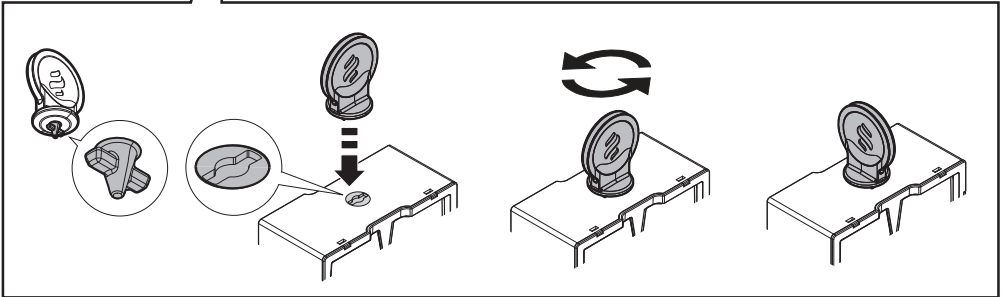
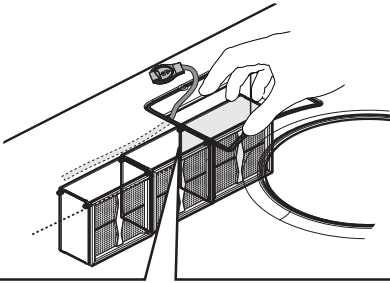




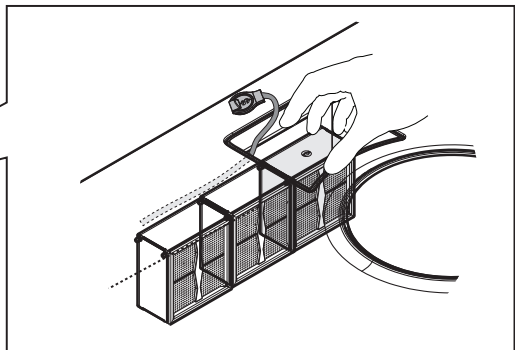
15.5

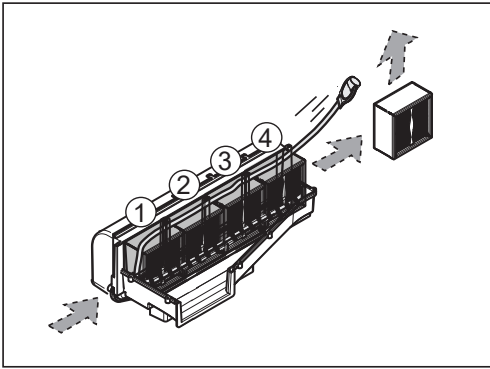


15.6

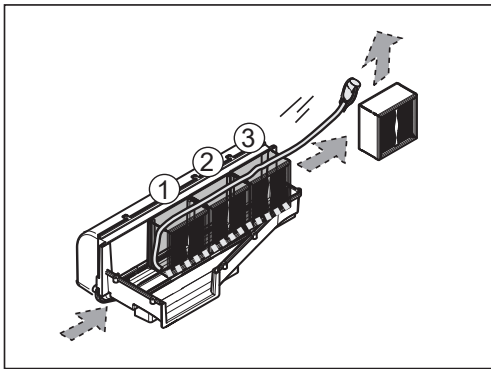
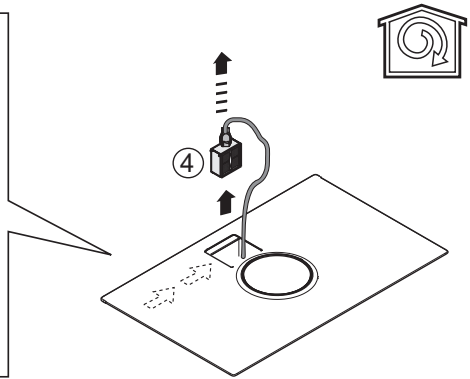


15.7

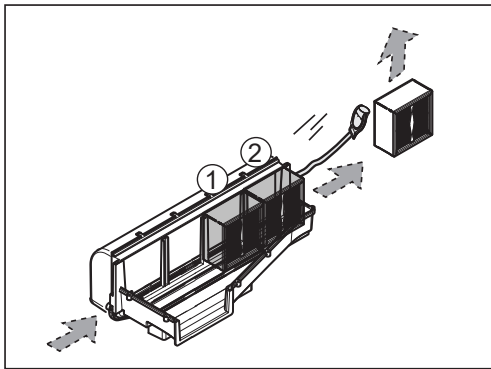
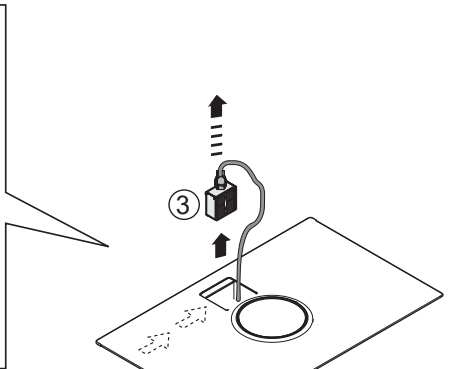




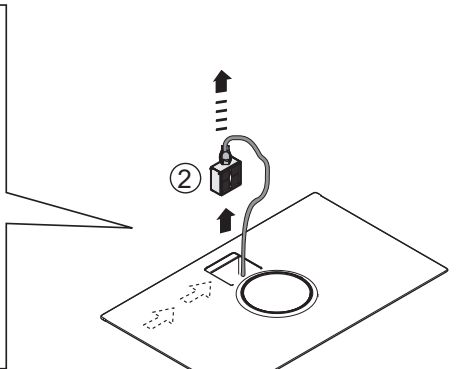
**15.8**

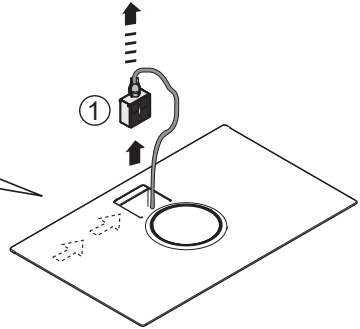
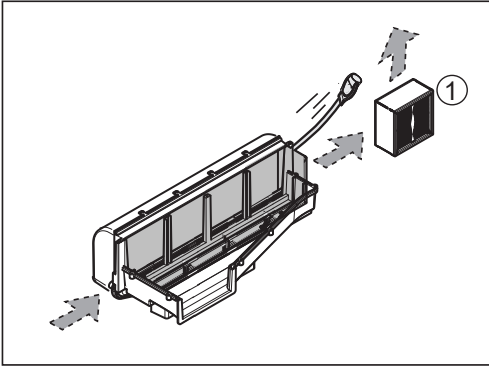


**15.9**

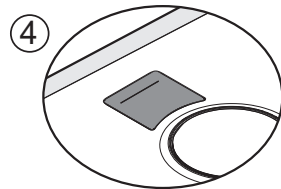
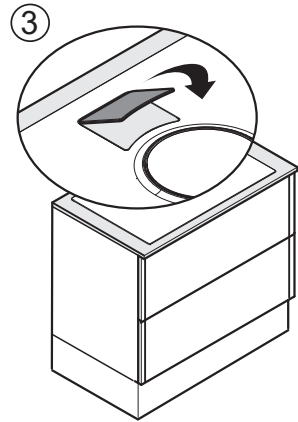
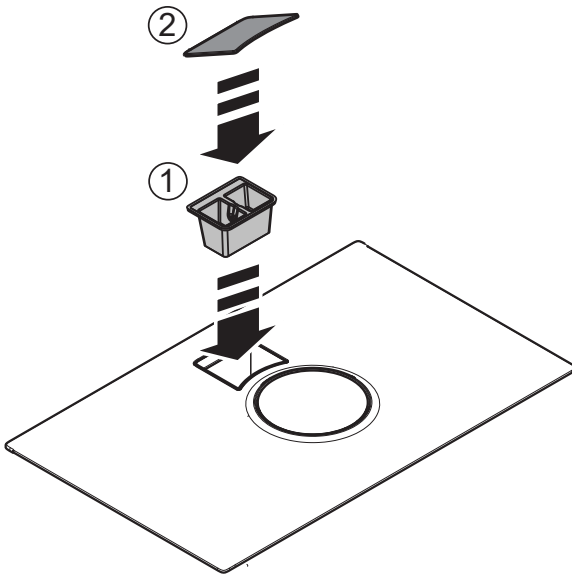


**15.10**





## 15.11



## 15.12

