

Use and care

GUIDE

Dishwasher


DWHD640EFP



Further information and explanations are available online:



Table of contents

1 IMPORTANT SAFETY INSTRUCTIONS.....	3	11.3 Setting the time delay.....	17
1.1 Safety definitions.....	3	11.4 Starting the wash cycle	17
1.2 General information.....	3	11.5 Interrupting the wash cycle.....	17
1.3 Intended use	3	11.6 Terminating the wash cycle	17
1.4 Restrictive use	3	11.7 Switching off the appliance.....	18
1.5 Grounding instructions	3	12 Basic settings.....	18
1.6 Safe use.....	3	12.1 Changing the basic settings	18
1.7 Risk to children	4	12.2 Overview of the basic settings.....	18
1.8 State of California Proposition 65 Warnings	4	13 Home Connect®	19
2 Preventing material damage	5	13.1 Setting up the Home Connect® app.....	19
3 Environmental protection and energy-saving	5	13.2 Setting up Home Connect®.....	19
3.1 Saving energy	5	13.3 Remote Start 	20
3.2 Sensors.....	5	14 Cleaning and maintenance	20
4 Familiarizing yourself with your appliance	6	14.1 Filter system.....	20
4.1 Appliance	6	14.2 Cleaning spray arms	20
4.2 Controls	7	15 Troubleshooting	21
5 Dishwasher Cycles	9	15.1 Clean drain pump.....	24
5.1 Energy Guide	10	16 Transportation, storage and disposal.....	24
5.2 Favorite FAVORITE [®]	10	16.1 Transporting the appliance	24
6 Options	10	16.2 Vacation and Storage.....	25
7 Features.....	11	16.3 Disposal of your old appliance.....	25
7.1 Upper rack	11	17 Customer Service.....	25
7.2 Cup shelf.....	12	17.1 Model number (E-Nr.), production number (FD) and consecutive numbering (Z-Nr.)	25
7.3 Lower rack	12	18 Technical specifications	26
7.4 Flip tines	12	18.1 Information regarding Free and Open Source Software	26
7.5 Silverware Basket	12		
7.6 Silverware drawer	13		
7.7 Rack heights	13		
8 Before using for the first time	13		
8.1 Initial use.....	13		
9 Rinse aid system.....	14		
9.1 Rinse aid.....	14		
9.2 Setting the amount of rinse aid.....	14		
9.3 Switching the rinse aid system off	14		
10 Dishware.....	14		
10.1 Damage to glass and dishware	15		
10.2 Loading dishware	15		
10.3 Removing dishware.....	16		
10.4 Loading patterns	16		
11 Basic Operation	17		
11.1 Protection against unintentional operation.....	17		
11.2 Switching on the appliance.....	17		



IMPORTANT SAFETY INSTRUCTIONS

READ AND SAVE THESE INSTRUCTIONS

Read all of the instructions carefully before using the appliance. In order to reduce the risk of fire, electric shocks and personal injuries when using the appliance, follow the basic safety precautions, including the following safety instructions.

1.1 Safety definitions

Here you can find explanations of the safety signal words used in this manual.

WARNING

This indicates that death or serious injuries may occur as a result of non-observance of this warning.

CAUTION

This indicates that minor or moderate injuries may occur as a result of non-observance of this warning.

NOTICE:

This indicates that damage to the appliance or property may occur as a result of non-compliance with this advisory.

Note: This alerts you to important information and/or tips.

1.2 General information

To reduce the risk of fire, electrical shock, or serious injury, observe the following.

- Read and understand all instructions before using the appliance.
- Keep the provided documents in a safe place for future reference or for the next owner.
- Do not connect the appliance if it has been damaged in transit.
- Product damage and/or injury could result from the use of unqualified service technicians or non-original parts. All repairs should be performed by an authorized service provider using only original equipment factory replacement parts.
- NSF/ANSI 184 Certified residential dishwashers are not intended for licensed food establishments.

1.3 Intended use

Only use this appliance:

- for cleaning household dishware.
- for normal household use and in enclosed spaces in a residential environment.
- Up to an altitude of 13,100 ft (4000 m) above sea level.

1.4 Restrictive use

This appliance is not intended for use by persons (including children) with reduced physical, sensory or mental capabilities, or lack of experience and knowledge, unless they have been given supervision or instruction concerning use of the appliance by a person responsible for their safety.

1.5 Grounding instructions

This appliance must be grounded to a metal, permanent wiring system or an equipment grounding conductor must be run with the circuit conductors and connected to the equipment grounding terminal or lead on the dishwasher. See the Installation Instructions included with this dishwasher for more information on electrical requirements.

WARNING

Improper connection of the equipment grounding conductor can result in risk of electric shock.

- ▶ This appliance must be grounded. In the event of a malfunction or breakdown, grounding will reduce the risk of electric shock by providing a path of least resistance for electric current. This appliance is equipped with a cord having an equipment-grounding conductor. Check with a qualified electrician or authorized service representative if you are in doubt whether the appliance is properly grounded.

1.6 Safe use

Follow these safety instructions when using the appliance.

WARNING

To reduce the risk of serious injury, observe the following.

- ▶ Read all instructions before using this dishwasher.
- ▶ Use this dishwasher only for its intended function, which is the washing of household dishware and kitchenware rated as dishwasher safe.
- ▶ Only use detergents or rinsing agents recommended for use in a dishwasher, and keep them out of the reach of children.
- ▶ Do not abuse, sit or stand on the door or dish racks of the dishwasher.



IMPORTANT SAFETY INSTRUCTIONS

READ AND SAVE THESE INSTRUCTIONS

WARNING

Under certain conditions, hydrogen gas may be produced in a hot water system that has not been used for two weeks or more. Hydrogen gas is explosive.

- ▶ Before using a dishwasher that is connected to a hot water system that has been unused for two weeks or longer, turn on all hot water faucets and let the water flow from each for several minutes. This will release any accumulated hydrogen gas. As the gas is explosive, do not smoke or use an open flame during this time.

WARNING

To avoid risk of electric shock, observe the following.

- ▶ Only use the appliance in enclosed residential space according to the installation manual.
- ▶ Never expose the appliance to intense heat or humidity.
- ▶ Do not use any steam cleaners or high-pressure cleaners to clean this appliance. If not followed, excess moisture can accumulate.

WARNING

To avoid risk of injury, when loading items to be washed, observe the following.

- ▶ Locate sharp items so they are not likely to damage the door seal.
- ▶ Load knives and other sharp utensils with their handles up to reduce the risk of cut-type injuries.
- ▶ Do not wash plastic items unless they are marked "dishwasher safe" or the equivalent. For plastic items not so marked, check the manufacturer's recommendations.
- ▶ Do not operate your dishwasher unless all enclosure panels are in place.
- ▶ Do not tamper with or override controls and interlocks.

WARNING

For safe care and operation of your appliance, observe the following.

- ▶ Follow the safety instructions and directions for use on the detergent and rinse aid product labels.
- ▶ Do not use harsh chemicals such as bleach-based products to clean your dishwasher. Some bleach-based products can damage your dishwasher and may present health hazards!

- ▶ Always use caution when opening the door during or following a wash cycle as hot water or steam may escape. Do not fully open the door until water noises have stopped and steam has subsided.
- ▶ To avoid floor damage and possible mold growth, do not allow wet areas to remain around or under the dishwasher.

NOTICE:

Water and power shut off

- ▶ It is highly recommended for the end user to become familiar with the procedure to shut off the incoming water supply and the procedure to shut off the incoming power supply. See the installation instructions or contact your installer for more information.

1.7 Risk to children

Follow these safety instructions if there are children in your home.

WARNING

To reduce risk of injury to children, observe the following.

- ▶ Do not allow children to play in or on the dishwasher.
- ▶ When children become old enough to operate the appliance, it is the responsibility of the parents/legal guardians to ensure the children are instructed in safe practices by qualified persons.
- ▶ Remove the dishwasher door to the washing compartment when removing an old dishwasher for service or discarding.

1.8 State of California Proposition 65 Warnings

This product may contain a chemical known to the State of California, which can cause cancer or reproductive harm. Therefore, the packaging of your product may bear the following label as required by California:

STATE OF CALIFORNIA PROPOSITION 65 WARNING:

 **WARNING**

Cancer and Reproductive Harm - www.P65Warnings.ca.gov

2 Preventing material damage

NOTICE:

Harsh chemicals such as bleach-based products can damage your dishwasher.

- ▶ Do not use harsh chemicals such as bleach-based products to clean your dishwasher.

Certain cleaning products may damage the appliance.

- ▶ Do not use a steam cleaner.
- ▶ So as not to scratch the finish on the appliance, do not use sponges with a rough surface or abrasive cleaning agents.

Avoid stainless steel polish

- ▶ Do not use stainless steel polish on an anti-fingerprint finish or a black stainless finish.

Escaping water vapor can damage cabinetry.

- ▶ When the program ends, let the appliance cool down a bit before opening the door.

Protect your appliance from the elements.

- ▶ Protect against freezing to avoid possible damage to the fill valve. Damage caused by freezing is not covered by the warranty.

Avoid dishwasher damage

- ▶ Do not load the dishwasher with paper products, plastic bags, packing materials or anything other than normal, dishwasher safe dishware and kitchenware.

3 Environmental protection and energy-saving

3.1 Saving energy

If you follow these instructions, your appliance will use less power and water.

Use the Normal program.

- ✓ The Normal program uses less energy and is easier on the environment.
→ *"Dishwasher Cycles", Page 9*

Change the sensor setting to the default.

- ✓ Consumption is reduced.
→ *"Sensors", Page 5*

3.2 Sensors

The sensors adjust the cycle sequence and strength in the Auto cycles depending on the level and type of soiling.

The sensor has different sensitivity levels that can be changed in the basic settings.

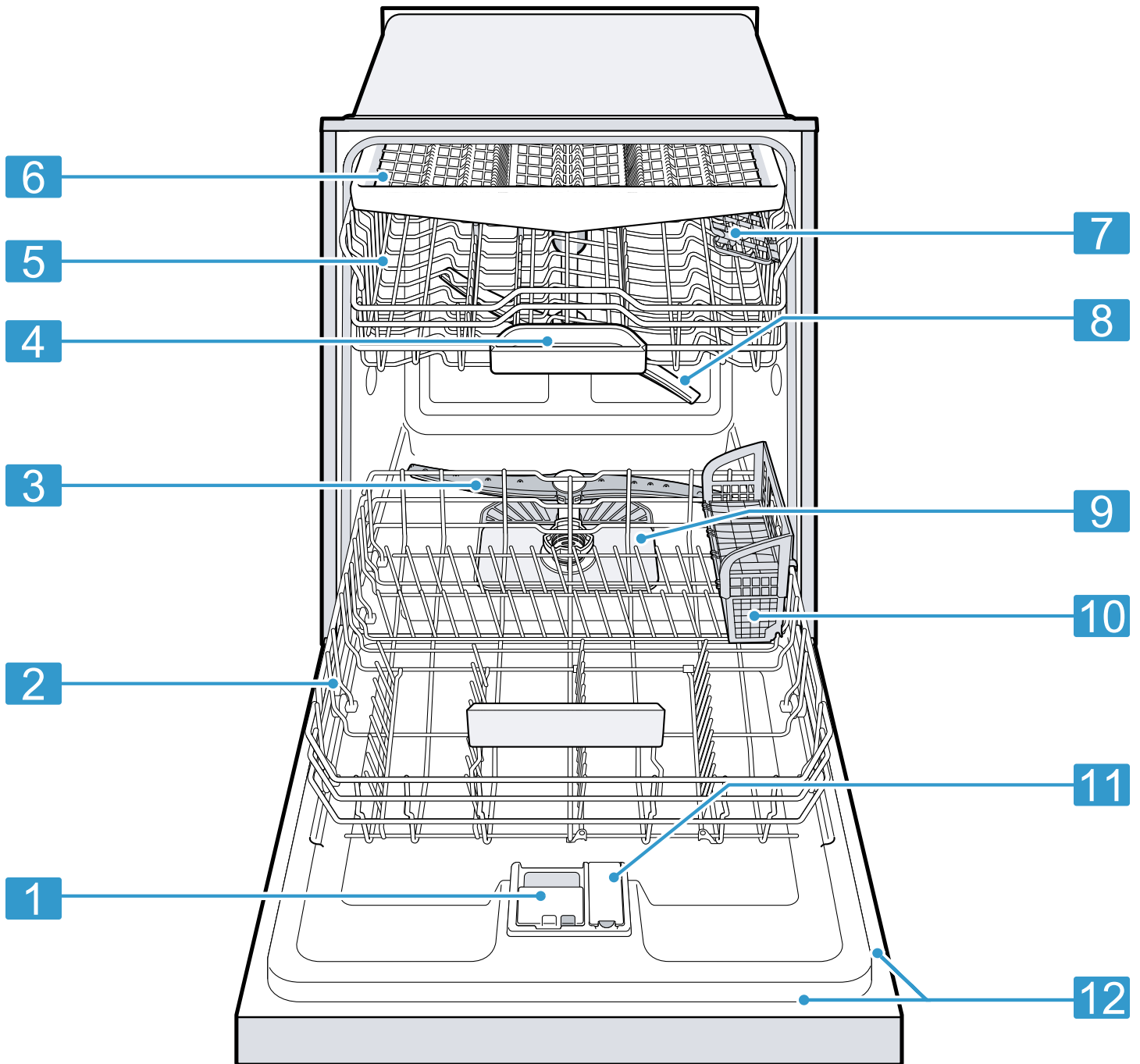
→ *"Changing the basic settings", Page 18*

Sensor setting	Description
SE:00	Optimal setting for mixed loads and heavily soiled dishware. Saves both energy and water.

Sensor setting	Description
SE:01	Adjusts the cycle strength for effective removal of food remnants even with low soiling levels. Energy and water consumption are adjusted accordingly.
SE:02	Adjusts the cycle strength for difficult conditions of use, e.g. stubborn dried-on food remnants. Recommended setting when using organic or ecological detergents containing low levels of active agents. Energy and water consumption are adjusted accordingly.

4 Familiarizing yourself with your appliance

4.1 Appliance



1	Detergent dispenser	Add detergent to the detergent dispenser.
2	Lower rack	Lower rack → <i>Page 12</i>
3	Lower spray arm	The lower spray arm washes the dishware in the lower rack. If the dishware has not been washed properly, clean the spray arms. → " <i>Cleaning spray arms</i> ", <i>Page 20</i>

¹ Depending on the appliance specifications

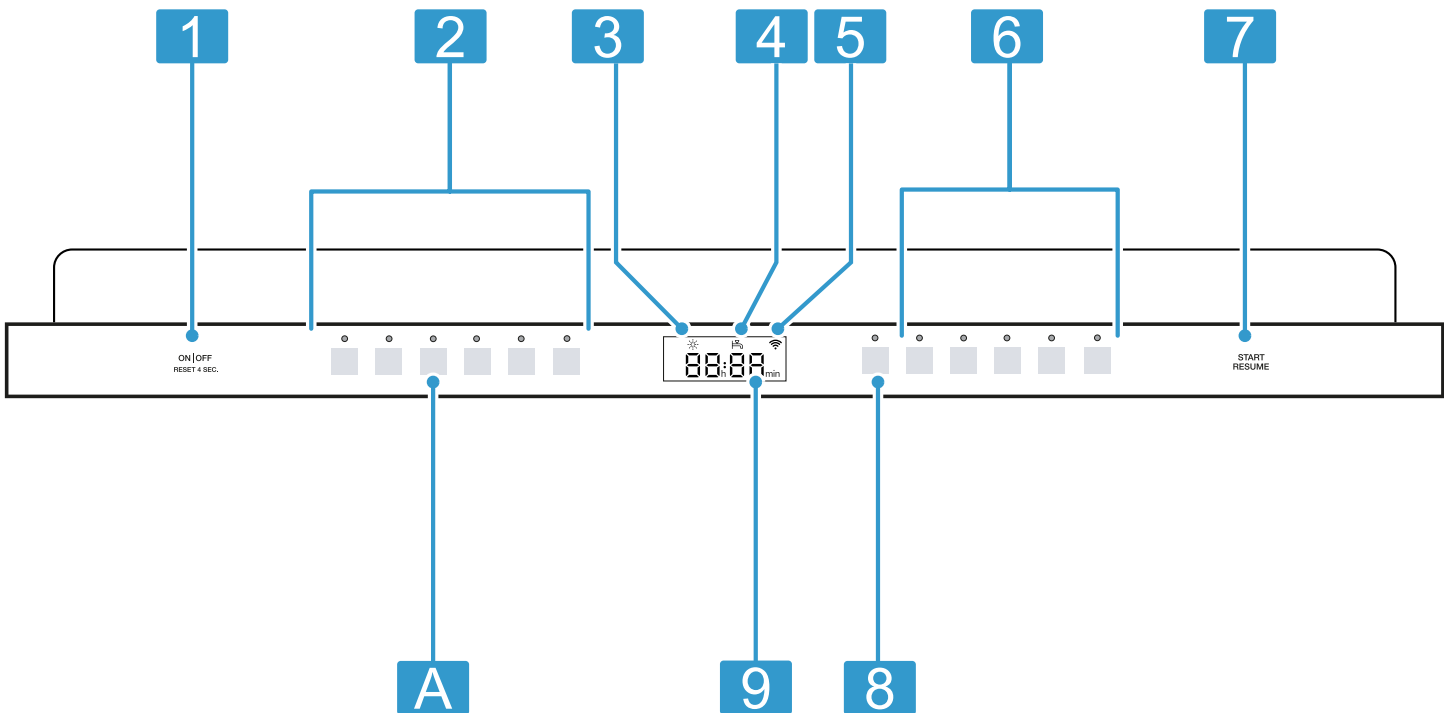
4	Detergent tab collecting tray	During the wash cycle, detergent tabs automatically drop out of the detergent dispenser into the tab collecting tray, where they can dissolve fully.
5	Upper rack	Upper rack → <i>Page 11</i>
6	Silverware drawer	Silverware drawer → <i>Page 13</i>
7	Cup shelf ¹	Cup shelf → <i>Page 12</i>
8	Upper spray arm	The upper spray arm washes the dishware in the upper rack. If the dishware has not been washed properly, clean the spray arms. → <i>"Cleaning spray arms", Page 20</i>
9	Filter system	Filter system → <i>"Filter system", Page 20</i>
10	Silverware basket	Silverware basket → <i>"Silverware Basket", Page 12</i>
11	Dispenser for rinse aid	Rinse aid is added to the dispenser for rinse aid. → <i>"Rinse aid system", Page 14</i>
12	Rating plate	Rating plate with E number and FD number → <i>Page 25</i> . You will need this data to contact Customer service → <i>Page 25</i> .

¹ Depending on the appliance specifications

4.2 Controls



You can use the control panel to configure all functions of your appliance and to obtain information about the operating status.

With some buttons you can perform different functions.



A	Button A	If you press A for approx. 3 seconds, you can open the basic settings. → <i>"Changing the basic settings", Page 18</i>
----------	----------	--

¹ Depending on the appliance specifications

1	ON/OFF button and reset button Reset 4 sec.	Switching on the appliance → <i>"Switching on the appliance", Page 17</i> Switching off the appliance → <i>"Switching off the appliance", Page 18</i> Terminating the cycle → <i>Page 17</i>
2	Cycle buttons	Cycles → <i>"Dishwasher Cycles", Page 9</i>
3	Rinse aid refill indicator	Rinse aid system → <i>"Adding rinse aid", Page 14</i>
4	Water supply display	Display for water supply
5	Display wireless network	Home Connect → <i>Page 19</i>
6	Options and cycle buttons ¹	Options → <i>Page 10</i> Cycles → <i>Page 9</i>
7	Start button <small>START RESUME</small>	Starting the wash cycle → <i>"Starting the wash cycle", Page 17</i>
8	Remote Start 	→ <i>"Remote Start "", Page 20</i>
9	Display	The display shows information about the remaining run time or basic settings. You can change the basic settings via the display and the setting buttons. → <i>"Changing the basic settings", Page 18</i>

¹ Depending on the appliance specifications

5 Dishwasher Cycles

Below is an overview of the different cycles available on your dishwasher.

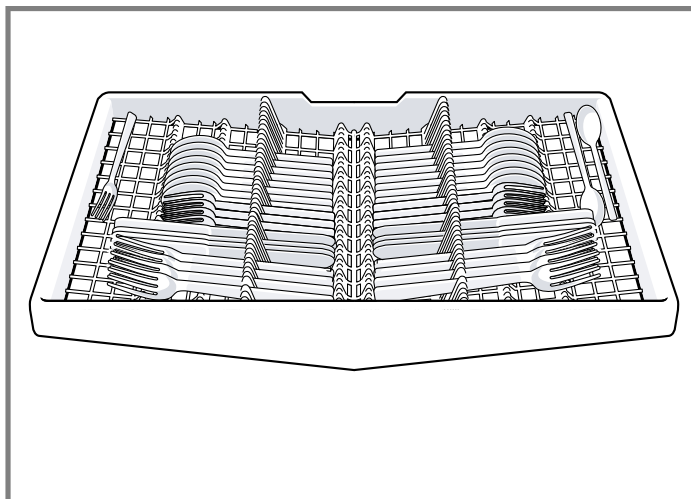
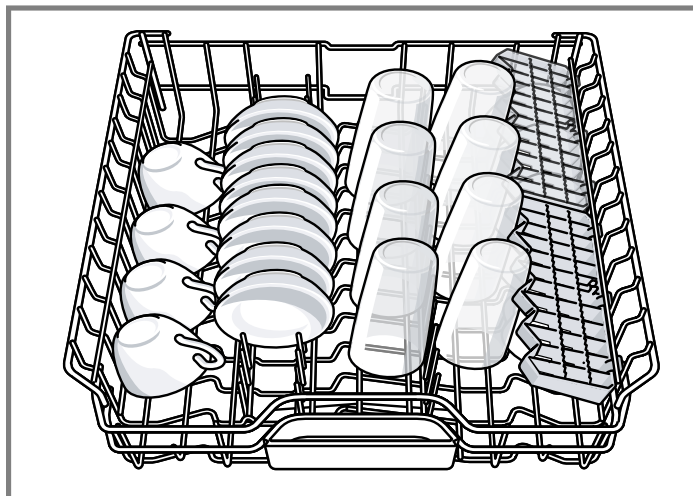
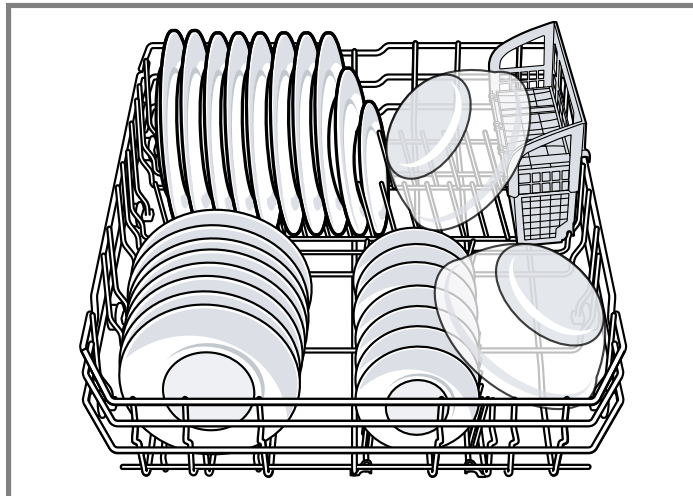
The running time may vary depending on the cycle selected. The running time depends on the water temperature, the quantity of dishware, the level of dirt and the option selected. The running time will change if the rinse aid system is switched off or rinse aid needs to be added. The consumption values relate to normal conditions and a water hardness of 16 - 20 °E. Different influencing factors such as water temperature or pipe pressure may result in deviations.

Cycle	Purpose	Cycle sequence	Usage
			1) Hour/min. 2) Electrical/kWH 3) Water/gal
Pots & Pans	Dishware: <ul style="list-style-type: none"> ■ Washing pots and pans, non-fragile dishware and silverware Level of soiling: <ul style="list-style-type: none"> ■ Removing stubborn burned or dried on food remnants containing starch and protein. 	Intensive <ul style="list-style-type: none"> ■ Pre-Rinse ■ Cleaning 151 °F – 160 °F ■ Intermediate rinse ■ Final rinse 162 °F ■ Drying 	<ul style="list-style-type: none"> ■ 1) 1:50 - 2:20 ■ 2) 1.100 - 1.150 ■ 3) 4.9 - 6.4
Auto	Dishware: <ul style="list-style-type: none"> ■ Cleaning mixed dishware and silverware. Level of soiling: <ul style="list-style-type: none"> ■ Removing common household food remnants lightly dried-on. 	Sensor controlled: <ul style="list-style-type: none"> ■ Optimized by sensors depending on the soiling of the rinse water. 	<ul style="list-style-type: none"> ■ 1) 1:45 - 2:09 ■ 2) 0.880 - 0.970 ■ 3) 3.4 - 6.4 Note: The displayed cycle time indicates an average value.
Normal	Dishware: <ul style="list-style-type: none"> ■ Cleaning mixed dishware and silverware. Level of soiling: <ul style="list-style-type: none"> ■ Removing common household food remnants lightly dried-on. 	Most economical cycle: <ul style="list-style-type: none"> ■ Pre-Rinse ■ Cleaning 113 °F – 131 °F ■ Intermediate rinse ■ Final rinse 154 °F ■ Drying 	<ul style="list-style-type: none"> ■ 1) 2:15 - 2:35 ■ 2) 0.670 - 0.850 ■ 3) 2.4 - 5.9
Hand Wash	Dishware: <ul style="list-style-type: none"> ■ Cleaning delicate dishware, silverware, temperature-sensitive plastics, glasses and stemware in the stemware holder. Level of soiling: <ul style="list-style-type: none"> ■ Removing common household food remnants lightly dried-on. 	Particularly gentle: <ul style="list-style-type: none"> ■ Pre-Rinse ■ Cleaning 113 °F - 122 °F ■ Intermediate rinse ■ Final rinse 144 °F ■ Drying 	<ul style="list-style-type: none"> ■ 1) 1:15 - 1:25 ■ 2) 0.580 - 0.600 ■ 3) 2.4 - 3.8
Quick	Dishware: <ul style="list-style-type: none"> ■ Cleaning delicate dishware, silverware, temperature-sensitive plastics and glasses. Level of soiling: <ul style="list-style-type: none"> ■ Removing lightly adhering fresh food remnants. 	Time-optimized: <ul style="list-style-type: none"> ■ Cleaning 113 °F ■ Intermediate rinse ■ Final rinse 127 °F 	<ul style="list-style-type: none"> ■ 1) 0:30 ■ 2) 0.450 ■ 3) 2.8
Favorite	-	-	<ul style="list-style-type: none"> ■ 1) 1:45 - 2:09 ■ 2) 0.880 - 0.970 ■ 3) 3.4 - 6.4

5.1 Energy Guide

The Energy Guide label was based on the Normal soil sensing cycle.

The unit was tested without any rinse aid (liquid) in the rinse aid dispenser. A single dose of detergent was inserted into the detergent dispenser, with no detergent being used in the prewash. The unit was not subjected to truncated testing per the definitions in the test procedure. We recommend that dish loads such as the one in the energy certification test have the rack position set in the highest position. Recommended for daily, regular or typical use to completely wash a full load of normally soiled dishes.



5.2 Favorite FAVORITE[®]

With this function, you can save a combination of a Cycle and an Option.

You can save the selected Cycle and Option combination via the Home Connect app or on the appliance.

Tip: You can use the Home Connect app to access additional Cycles and Options and save them.¹

Save Favorite FAVORITE[®] on the appliance

1. Open the appliance door.
 2. Press ON/OFF.
 3. Press the right cycle button.
 4. Press the button for the relevant options.
- ✓ The program combination is saved.

Tip: To reset the cycle, either use the Home Connect app or reset your appliance back to the factory settings.

→ "Home Connect[®]", Page 19

6 Options

Here is an overview of the different options available on your dishwasher.

Option	Use
EXTRA DRY Extra Dry	<ul style="list-style-type: none"> ■ For a better drying result, the final rinse temperature is increased and the drying phase extended. ■ Especially suitable for drying plastic parts. ■ There is a slight increase in energy consumption and the run time is extended.
POWER BOOST Power Boost	<ul style="list-style-type: none"> ■ Switch on with mixed loads containing dishware with different soiling levels, e.g. place very soiled pots and pans in the lower rack and normally soiled dishware in the upper rack.

¹ Depending on the appliance specifications

Option	Use
	<ul style="list-style-type: none"> ■ The spray pressure in the lower rack is increased and the maximum program temperature held longer. This will increase the run time and energy consumption.
SANITIZE Sanitize	<ul style="list-style-type: none"> ■ Increases the temperature and cycle length to achieve sanitation. ■ This option is ideal for cleaning items such as chopping boards and baby bottles. ■ Using this option may also improve drying. There is a slight increase in energy consumption. ■ When the cycle has ended, the display shows "SANI".

⚠ WARNING

Concerning dishware sanitation, be aware of the following.

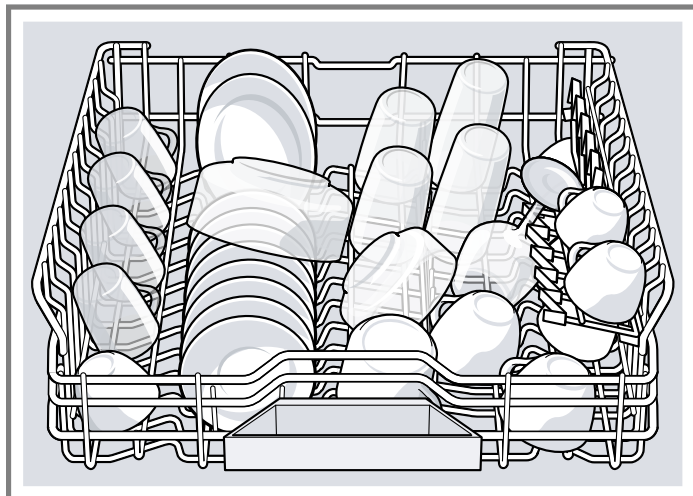
- ▶ Only sanitizing cycles have been designed to meet the requirements for soil removal and sanitation efficacy. There is no intention, either directly or indirectly, to imply that all cycles on a certified machine have passed the sanitization performance test.

7 Features

You can find an overview of the possible features of your appliance and how to use them here. These features depend on your appliance model.

7.1 Upper rack

Arrange cups, glasses, and small tableware items in the top rack.



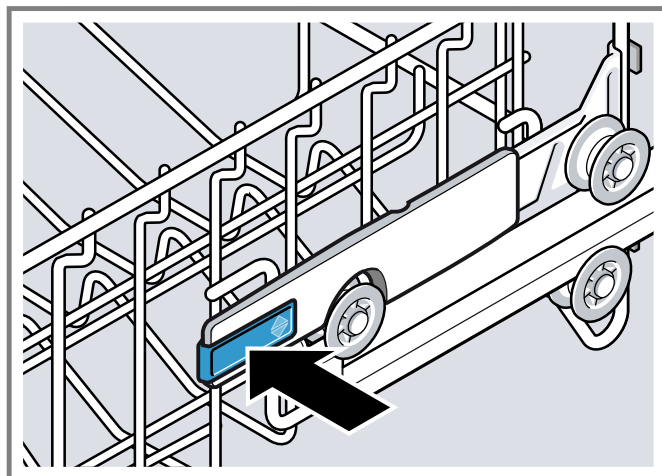
You can adjust the height of the upper rack to make room for larger items.

Adjusting upper rack with the side levers

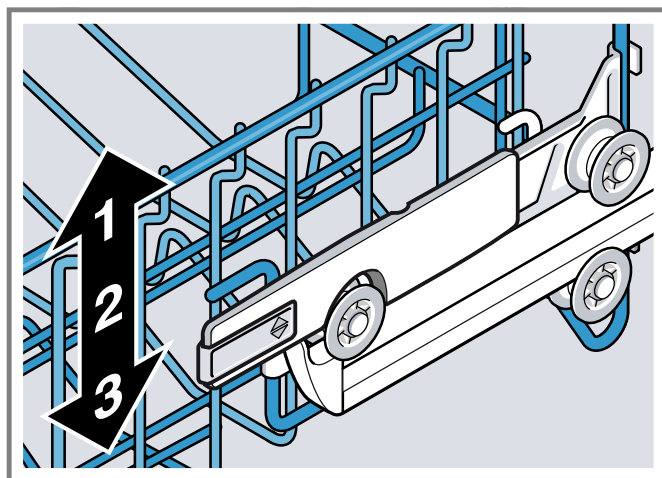
To wash large items in the racks, adjust the shelf height of the upper rack.

1. Pull out the upper rack.

2. To prevent the rack from suddenly dropping down, hold the side of the rack by the top edge.
3. Press in the right and left hand levers on the outside of the rack.



4. Raise or lower the rack evenly to the right level.

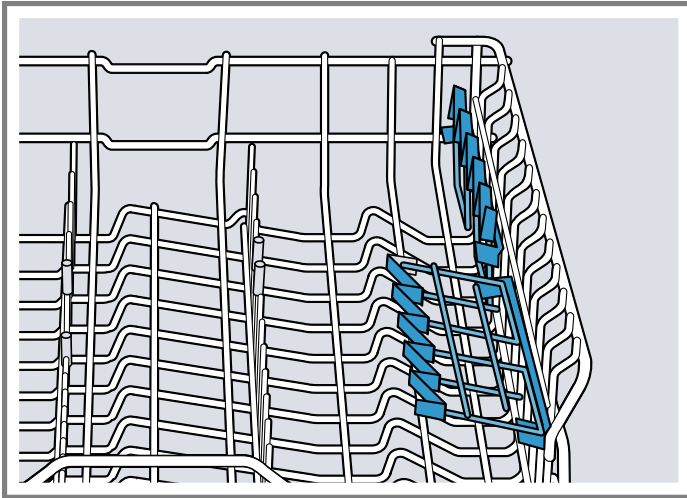


Check that the rack is level on both sides.

5. Release the levers.
 - ✓ The rack clicks into position.
6. Slide the rack in.

7.2 Cup shelf

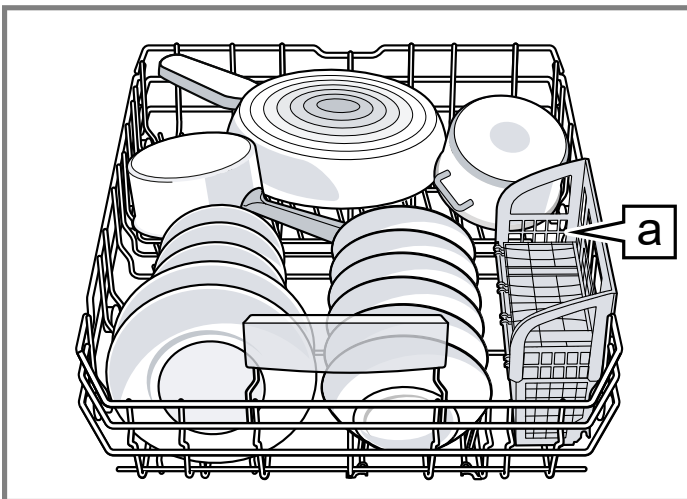
Use the cup shelf and the space underneath for small cups and glasses or for large items of silverware, e.g. cooking spoons or serving cutlery.



If you do not need the cup shelf, you can fold it up.

7.3 Lower rack

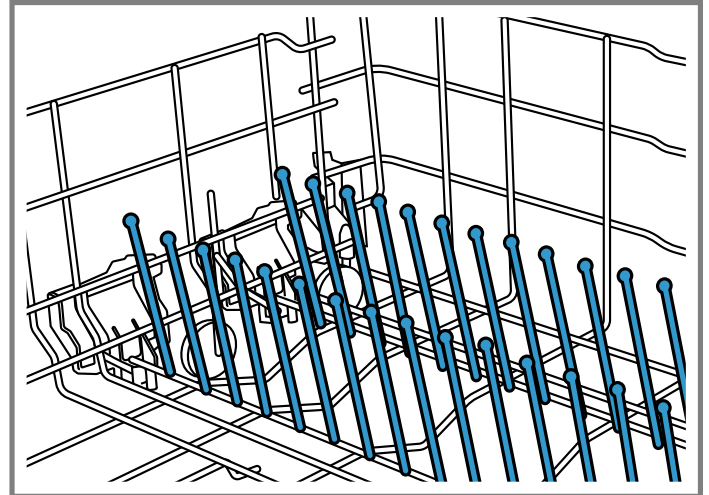
Arrange pans and plates in the lower rack.



Silverware basket [a]¹

7.4 Flip tines

Use the flip tines to position dishware securely, e.g. plates.

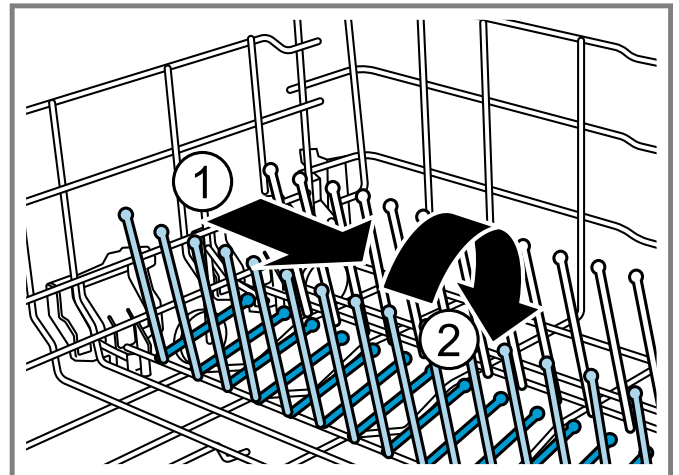


You can fold the tines down to arrange pans, bowls and glasses better.¹

Folding down the tines¹

If you do not need the tines, fold them down.

1. Push the lever forward ① and fold down the tines ②.



2. To use the tines again, fold them back up.

✓ The tines click into position.

7.5 Silverware Basket

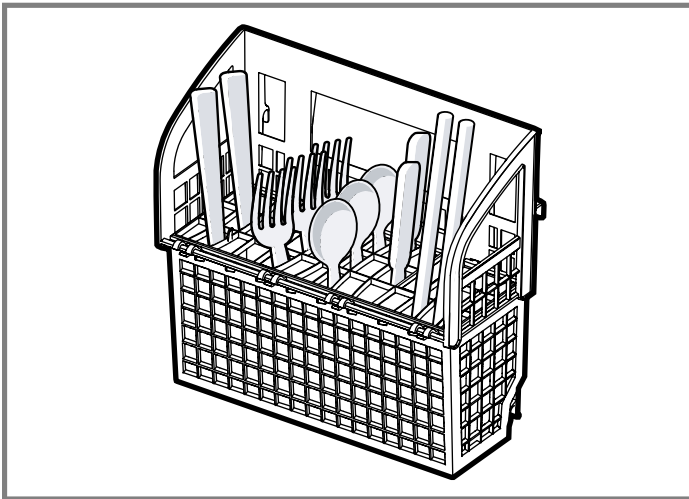
Arrange the silverware in the silverware basket, ensuring that the items are not nestled together and with the sharp points down.

⚠ WARNING

The sharp points and edges of knives and other sharp utensils can cause serious injury.

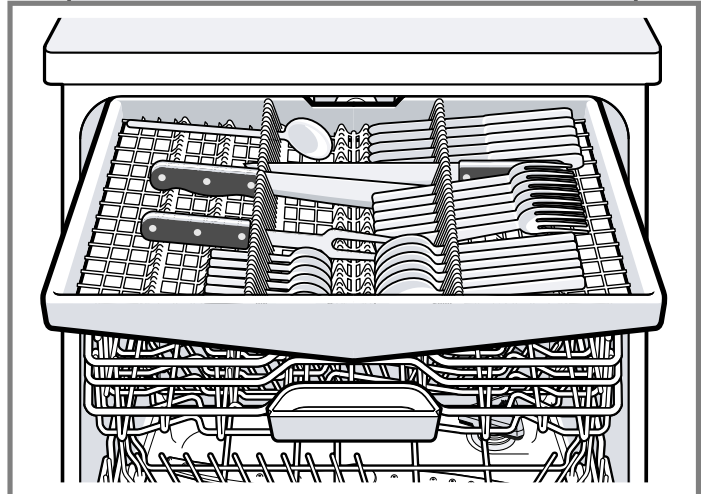
- Load knives and other sharp utensils with edges down. Do not allow children to handle or play near knives and sharp utensils

¹ Depending on the appliance specifications



7.6 Silverware drawer

Arrange silverware in the silverware drawer.



Arrange silverware with the points and sharp edges down.

7.7 Rack heights

Set the racks at the right height.

Appliance height 34" with silverware basket

Setting	Upper rack	Lower rack
1 max. ø	24 cm / 9.5"	33 cm / 13"
2 max. ø	26.5 cm / 10.5"	30.5 cm / 12"
3 max. ø	29 cm / 11.5"	28 cm / 11"

Appliance height 34" with silverware drawer

Setting	Upper rack	Lower rack
1 max. ø	18 cm / 7"	33 cm / 13"
2 max. ø	20.5 cm / 8"	30.5 cm / 12"
3 max. ø	23 cm / 9"	28 cm / 11"

Tip: If you remove the 3rd rack, you can place large items of dishware in the lower rack.

8 Before using for the first time

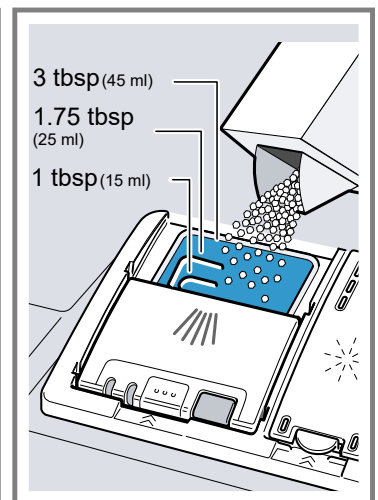
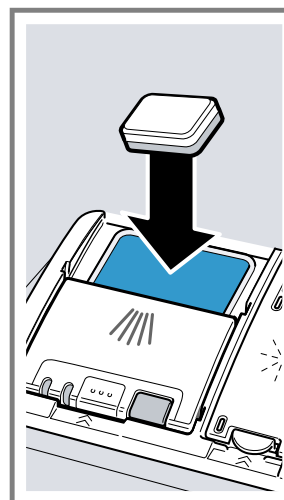
8.1 Initial use

Note: Connect your appliance to the Home Connect® app. You can conveniently adjust the settings and download additional cycles and options with the app. → "Home Connect®", Page 19

1. Add rinse aid. → Page 14

For optimum drying results, always use rinse aid.

2. Add detergent.



Only use detergents intended for dishwashers.

3. Turn on the appliance. → Page 17

4. Set the amount of rinse aid. → *Page 14*
5. Start the Cycle with the highest cleaning temperature → *Page 9* without dishware.

Operate the appliance without dishware before using it for the first time in order to remove any marks from water or other residues.

Tip: You can change the Basic settings → *Page 18* at any time.

9 Rinse aid system

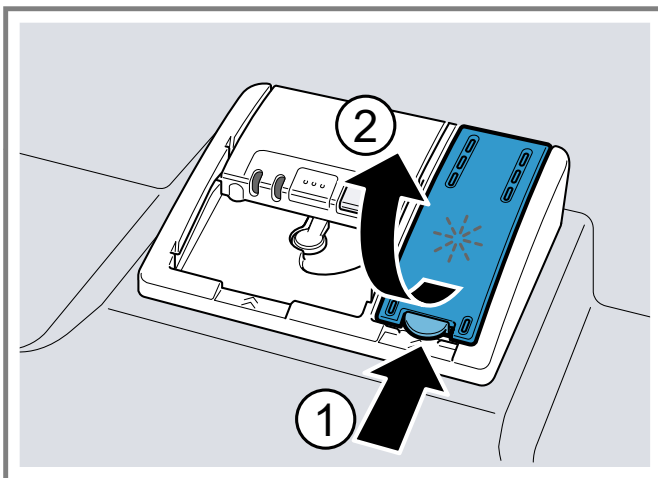
9.1 Rinse aid

For optimum drying results, use rinse aid. Only use rinse aid intended for household dishwashers.

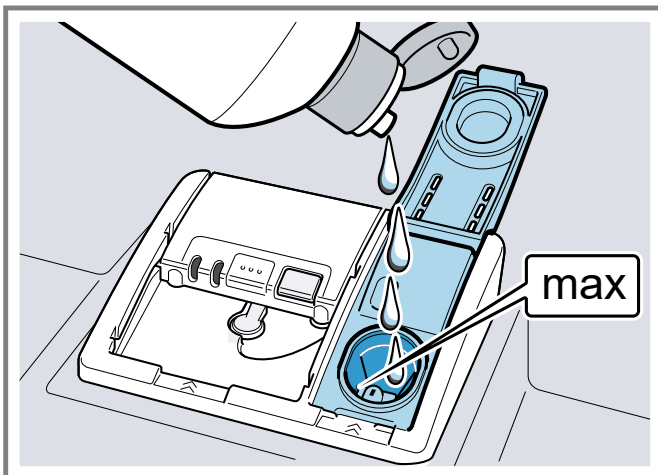
Adding rinse aid

If the rinse aid refill indicator lights up, fill the dispenser with rinse aid. Only use rinse aid intended for household dishwashers.

1. Press the catch on the lid of the dispenser for rinse aid ① and lift ②.



2. Add rinse aid up to the max mark.



3. If rinse aid spills out, remove it from the tub.

Spilled rinse aid can cause excessive frothing during the wash cycle.

4. Close the lid of the dispenser for rinse aid.
 - ✓ The lid clicks into position.

9.2 Setting the amount of rinse aid

If there are streaks or water spots on dishware, change the amount of rinse aid.

1. Press ON/OFF.
2. To open the basic settings, press **A** button and hold for 3 seconds.
 - *"Controls", Page 7*
3. Press **A** repeatedly until the display shows the value r:05 set at the factory.
4. Press **START RESUME** repeatedly until the right amount of rinse aid has been set.
 - A low setting adds less rinse aid during the wash cycle and reduces streaking on dishware.
 - A higher setting adds more rinse aid during the wash cycle, reduces water spots and improves the drying result.
5. To store the settings, press **A** button and hold for 3 seconds.

9.3 Switching the rinse aid system off

If you choose not to use rinse aid, you can turn the rinse aid system off.

Tip: Rinse aid within a combination detergent has limited effectiveness. You will generally get better results using a separate rinse aid.

1. Press ON/OFF.
2. To open the basic settings, press **A** button and hold for 3 seconds.
 - *"Controls", Page 7*
3. Press **A** repeatedly until the display shows the value r:00 set at the factory.
4. Press **START RESUME** repeatedly until the display shows r:00.
5. To store the settings, press **A** button and hold for 3 seconds.
 - ✓ The rinse aid system is switched off and the rinse aid refill indicator is deactivated.

10 Dishware

Only wash dishware that is suitable for dishwashers.

Note: Decorated glassware and parts made of aluminum or silver may fade or discolor with dishwashing. Delicate types of glass may turn cloudy after a few wash cycles.

10.1 Damage to glass and dishware

Only put glasses and china in the dishwasher if they are labeled dishwasher-safe. Avoid damage to glass and dishware.

Cause	Recommendation
<p>The following types of dishes are not dishwasher-safe:</p> <ul style="list-style-type: none"> ■ Wooden utensils and dishes ■ Decorative glassware, antique dishes and artistic hand-made pottery ■ Plastic parts that are not heat-resistant ■ Dishes made from copper or tin ■ Dishes soiled with ash, wax, grease or paint ■ Very small items of dishware 	<p>Only put dishes in the dishwasher if they are labeled dishwasher-safe.</p>
<p>The chemical composition of the detergent causes damage.</p>	<p>Use a detergent labeled as gentle to dishes.</p>
<p>The water temperature of the cycle is too high.</p>	<p>Select a cycle with lower temperatures. After the cycle has ended, take glassware and silverware out of the appliance without delay.</p>
<p>The water temperature of the cycle is too high and the water is too soft.</p>	<p>Select a cycle with lower temperatures. Use detergent with glass protection.</p>

10.2 Loading dishware

Arrange dishware correctly to optimize the dishwashing result and prevent damage to both dishware and the appliance. The noise level may also vary depending on the items placed in your dishwasher.

⚠ WARNING

The sharp points and edges of knives and other sharp utensils can cause serious injury.

- ▶ Load knives and other sharp utensils with edges down.
Do not allow children to handle or play near knives and sharp utensils

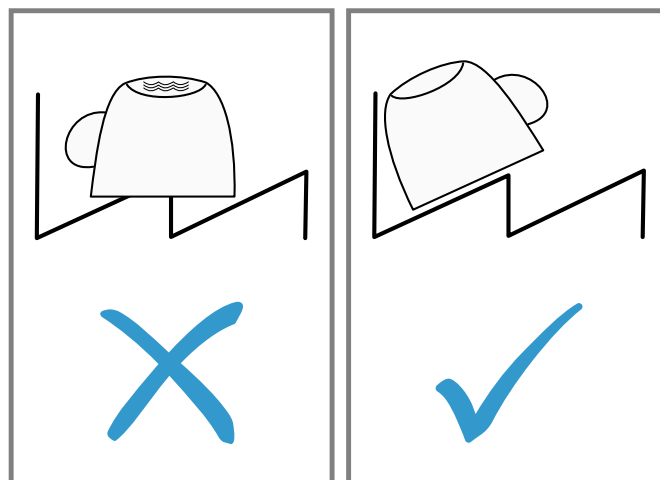
NOTICE:

Avoid dishwasher damage

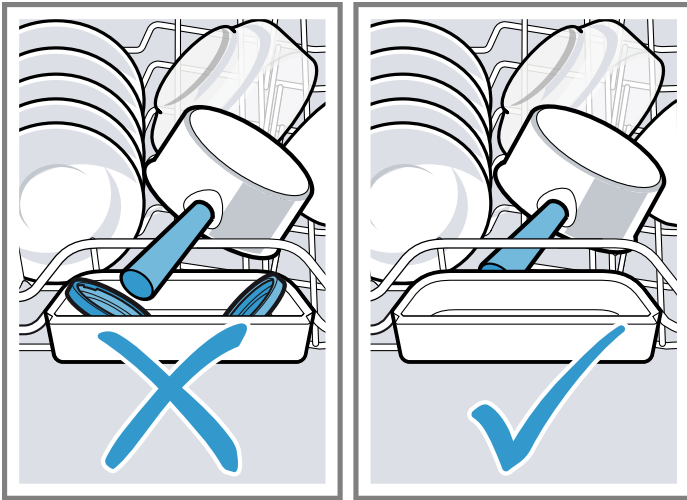
- ▶ Do not load the dishwasher with paper products, plastic bags, packing materials or anything other than normal, dishwasher safe dishware and kitchenware.

Tips

- Using the appliance allows you to save energy and water compared to doing dishes by hand.
- See our website for examples of how to load your appliance efficiently.
- To save energy and water, load the machine with the number of place settings specified (standard load with dishes and silverware).
- For better washing and drying results, position items with curves or recesses at an angle so water can run off.



1. Remove large remnants of food from dishware.
To save resources, do not pre-rinse dishware under running water.
2. Observe the following when arranging dishware:
 - Put heavily soiled dishware in the lower rack, e.g. pans. The more powerful spray jet ensures that the dishwashing result will be better.
 - To avoid damage to dishware, arrange it so it is stable and cannot tip over.
 - To avoid injury, arrange silverware with the points and sharp edges facing down.
 - Position containers with the openings facing down so no water can collect in them.
 - Do not block the spray arms - make sure that they can turn freely.
 - Do not place small parts in the collecting tray and do not block it with dishware so as not to obstruct the lid of the detergent dispenser.



10.3 Removing dishware

⚠ CAUTION

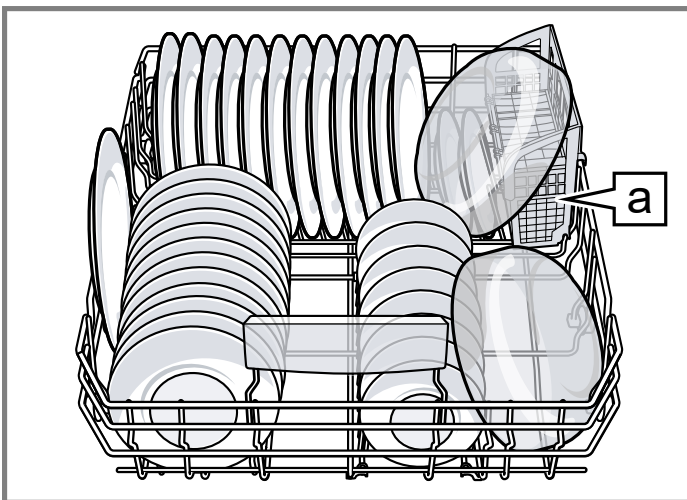
Dishes can be very hot immediately after the cycle ends.
 ▶ Open the door slightly and allow dishes to cool for a few minutes before unloading.

1. To prevent water dripping onto dishware, unload it starting at the bottom and working up.
2. Check the washing tank and accessories for soiling and clean if necessary.

10.4 Loading patterns

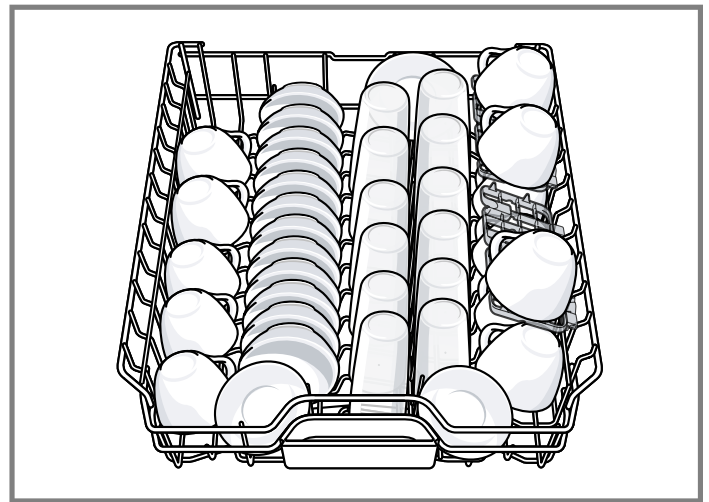
Recommended loading patterns.

12 place settings:
 Lower rack

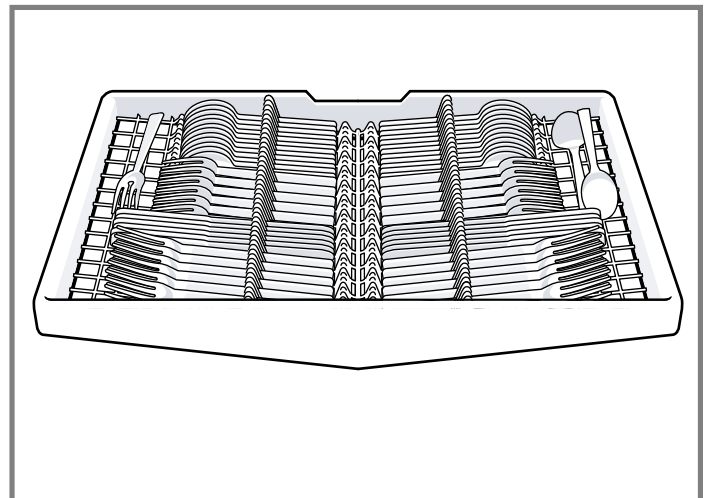


Silverware basket [a]¹

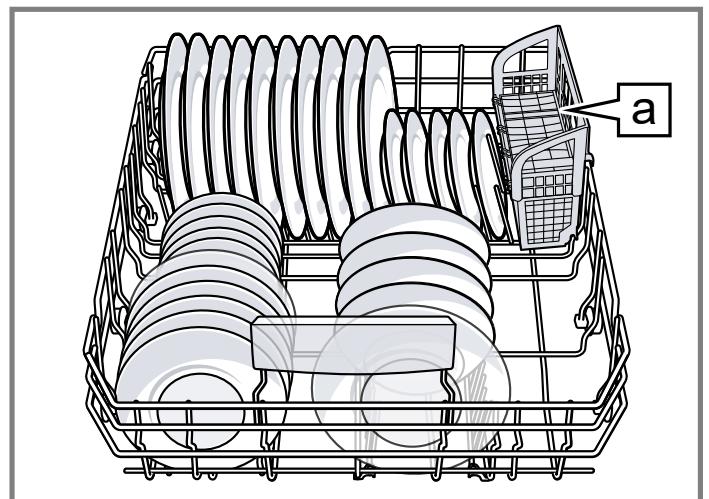
Upper rack



Third rack



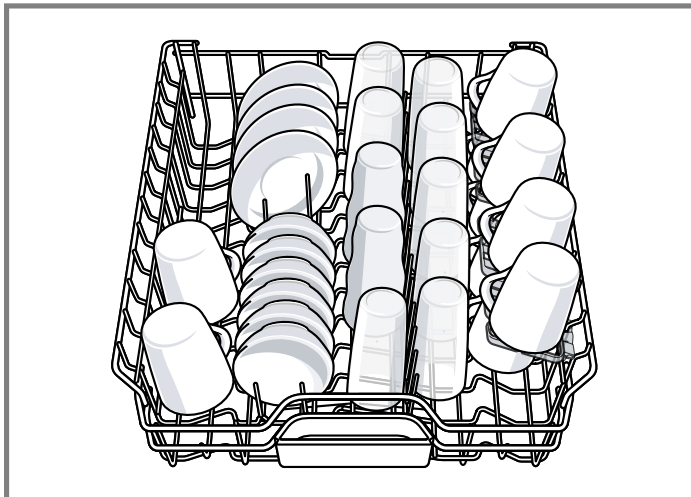
Additional loading patterns for 10 place settings:
 Lower rack



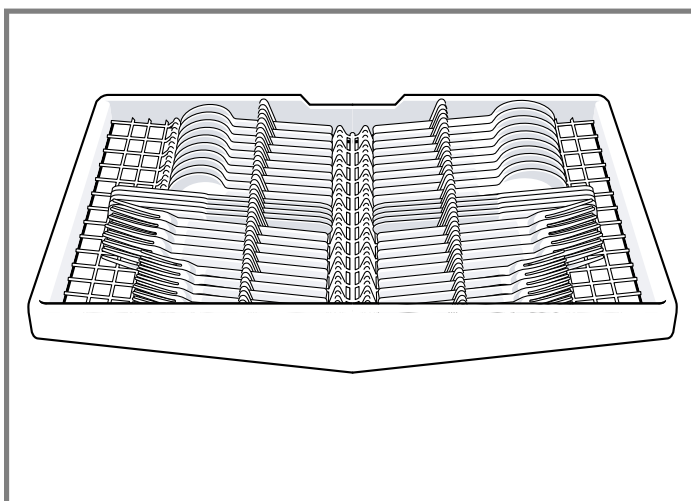
Silverware basket [a]¹

¹ Depending on the appliance specifications

Upper rack



Third rack



11 Basic Operation

11.1 Protection against unintentional operation

Your dishwasher has a built in feature to help prevent unintentional operation, e.g. by children. After starting the appliance, the door has to be closed within 4 seconds, otherwise the operation will be paused. If this occurs, follow the steps below to restart your dishwasher.

- ▶ Press START RESUME and close the door.
- ✓ The wash cycle will resume.

Note

Unintentional operation is activated when:

- Pressing Start to begin a wash cycle
- Setting Delay time and pressing Start
- Opening the door while Delay time is active
- Opening the door during a wash cycle.
- This feature cannot be deactivated.

11.2 Switching on the appliance

- ▶ Touch ON/OFF with a short 1 second touch.
The cycle last selected and the option last selected will be set by default.
The buttons on the appliance are touch sensitive and only require a quick, gentle touch.

Note: If you do not perform any actions on the appliance for 10 minutes, it will automatically switch off. This feature cannot be deactivated.

11.3 Setting the time delay

You can delay the start of the wash cycle via the Home Connect® app.

- ▶ Open the Home Connect® app and select the appliance.

In the settings, you can use the time delay function to delay the start of the wash cycle.

→ "Home Connect®", Page 19

11.4 Starting the wash cycle

- ▶ Press START RESUME.
- ✓ The wash cycle has ended when the display shows "00h:00m".

Notes

- If you want to add more dishware while the appliance is running, do not use the collecting tray as a handle for the upper rack. You might touch the partially dissolved tablet.
- You can only change a cycle in progress if you can cancel it first.
→ "Terminating the wash cycle", Page 17
- To save energy, the appliance switches off automatically 10 minutes after the end of the wash cycle. If you open the appliance door immediately after the wash cycle has ended, the appliance will switch off after 4 seconds.

11.5 Interrupting the wash cycle

1. Press On/Off.
The program is saved and the appliance switches off.
2. Press On/Off.
3. Press START RESUME to resume the wash cycle.

11.6 Terminating the wash cycle

To end a cycle early or to switch from one that has already started, you will need to cancel it first.

1. Open the appliance door.
 2. Press Reset 4 sec. for approx. 4 seconds.
 3. Close the appliance door.
- ✓ All displays light up.
 - ✓ As soon as the displays are off, the display shows "00h:01m" and the residual water is pumped out.
 - ✓ The cycle is cancelled and ends after approx. 1 minute.

11.7 Switching off the appliance

CAUTION

To avoid risk of injury, always use caution when opening the door during or following a wash cycle as hot water or steam may escape.

- ▶ Do not fully open the door until water noises have stopped and steam has subsided.

1. Please note the information on Preventing Material Damage → *Page 5*.
2. Press On/Off.

12 Basic settings

You can configure the basic settings for your appliance to meet your needs.

12.1 Changing the basic settings

Tip: Connect your appliance to a mobile device. You can conveniently change all settings using the Home Connect® app.

→ *"Home Connect®", Page 19*

12.2 Overview of the basic settings

The basic settings depend on the features of your appliance.





Basic setting	Display text	Selection	Description
Rinse aid disp.	r:05 ¹	r:00 - r:06	Set the amount of rinse aid. → <i>"Setting the amount of rinse aid", Page 14</i> Switch the rinse aid system off with level r:00.
Sensor setting	SE:00 ¹	SE:00 - SE:02	Set the water sensor for identifying soiling. → <i>"Sensors", Page 5</i>
Extra Dry	d:00 ¹	d:00 - d:01	The temperature is increased during the final rinse, which improves the drying result. This may increase the run time slightly. Note: Not suitable for delicate items of dishware. Switch Extra Dry on "d:01" or off "d:00".
infoLight®	l:01 ¹	l:00 - l:01	Switch InfoLight on or off. While the program is running, a spot of light is projected onto the floor below the appliance door. This light will not be visible if the appliance is installed at eye level with the cabinet front fitted flush. If the appliance door is not completely closed, the spot of light will flash. The program has ended when the spot of light is no longer visible on the floor. Level "l:00" switches InfoLight off.

¹ Factory setting (may vary according to model)

1. Open the appliance door.
2. Press ON/OFF.
3. To open the basic settings, press **A** button and hold for 3 seconds.
→ *"Controls", Page 7*
4. Press the **A** button repeatedly until the display shows the required setting.
5. Press **START RESUME** repeatedly until the display shows the right value.
You can change one or more settings.
6. To store the settings, press **A** button and hold for 3 seconds.
7. Close the appliance door.

Tip: You can reset the changed settings back to the factory settings at any time.

→ *"Overview of the basic settings", Page 18*

Basic setting	Display text	Selection	Description
Start cycle	SP:00 ¹	SP:00 - SP:01	Set a default cycle for when the appliance is switched on. <ul style="list-style-type: none"> With the setting "SP:00", the last cycle selected and the last additional function selected are set by default when the appliance is switched on. With the setting "SP:01", the standard cycle is set by default when the appliance is switched on.
Signal volume	SL:02 ¹	SL:00 -SL:03	Adjusting the signal volume. Level "SL:00" switches the signal tone off.
Button volume	bL:02 ¹	bL:00 - bL:03	Set the button volume during operation. Level "bL:00" switches the button tones off.
Wi-Fi	Cn:00	Cn:00 - Cn:01	Switch the wireless network connection on or off. Level "Cn:00" switches the wireless network connection off. The basic setting is not available until you have connected the appliance with the Home Connect® app. → "Home Connect® ", Page 19
Remote Start	rc:01	rc:00 - rc:02	Activate or deactivate remote start. → "Remote Start  ", Page 20 The following settings are possible: <ul style="list-style-type: none"> With the setting "rc:00", the option is permanently deactivated. With the setting "rc:01", the option can be selected via the  button. With the setting "rc:02", the option is permanently activated. The basic setting is not available until you have connected the appliance with the Home Connect® app. → "Home Connect® ", Page 19
Factory setting	rE:	Starting with  Y:ES Confirming with 	Restore changed settings to the factory settings. The settings for initial use must be configured. → "Initial use", Page 13

¹ Factory setting (may vary according to model)

13 Home Connect®

This appliance is network-capable. Connecting your appliance to a mobile device lets you control its functions via the Home Connect® app.

Note: Also note the safety information in this instruction manual and ensure that it is also observed when operating the appliance using the Home Connect® app.

13.1 Setting up the Home Connect® app

1. Install the Home Connect® app on your mobile device.

2. Start the Home Connect® app and set up access for Home Connect®.

The Home Connect® app guides you through the entire registration process.

13.2 Setting up Home Connect®

Requirements

- The Home Connect® app is installed on your mobile device.
- The appliance receives signals from the WLAN home network (Wi-Fi) at its installation location.
- The appliance door is closed.

1. Open the Home Connect® app and scan the following QR code.



2. Follow the instructions in the Home Connect® app.

13.3 Remote Start

You can use the Home Connect® app to start the appliance with your mobile device.

Tip: If you select "rc:02" in the Basic settings → *Page 19* of this function, the function is permanently activated, and you can start your appliance with a mobile device at any time.

14 Cleaning and maintenance

To keep your appliance working efficiently for a long time, it is important to clean and maintain it carefully.

Note: The Statement of Limited Product Warranty covers defects in materials and workmanship. Cleaning and maintenance is not covered by the warranty and a charge will apply. See the Statement of Limited Product Warranty for more details.

14.1 Filter system

1. Check the filters for residues after each dishwashing cycle.
2. To see how to clean the filters, scan the following QR code.



14.2 Cleaning spray arms

- ▶ To see how to clean the spray arms, scan the following QR code.



15 Troubleshooting



You can eliminate minor issues on your appliance yourself. Please read the information on eliminating issues before contacting Customer Service. This may avoid unnecessary repair costs.

Tip: You can find further information and explanations on troubleshooting online by scanning the QR code in the table of contents and on our website www.thermador.com.

Issue	Cause and troubleshooting
E:20-60 lights up alternately.	Appliance has detected that the heating element is calcified. <ol style="list-style-type: none"> 1. Descale the appliance. 2. Operate the appliance with the Water softening system.¹
E:30-00 lights up alternately.	Water protection system is activated. <ol style="list-style-type: none"> 1. Close the water supply valve. 2. Contact customer service → <i>Page 25</i>.
E:31-00 lights up alternately.	Water protection system is activated. <ol style="list-style-type: none"> 1. Close the water supply valve. 2. Contact customer service → <i>Page 25</i>.
E:32-00 lights up alternately or indicator for water supply lights up.	Water supply valve is closed. <ol style="list-style-type: none"> 1. Open the water supply valve. 2. Terminate the wash cycle. → <i>"Terminating the wash cycle", Page 17</i> 3. Start a wash cycle. → <i>"Starting the wash cycle", Page 17</i> 4. If the problem occurs again: <ul style="list-style-type: none"> – Contact the customer service. → <i>"Customer Service", Page 25</i> <hr/> Inlet hose is kinked or blocked. <ul style="list-style-type: none"> ▶ Contact customer service. → <i>"Customer Service", Page 25</i> <hr/> Water supply valve is jammed or clogged up. <ol style="list-style-type: none"> 1. Open the water supply valve. The flow rate must be at least 10 l/min when the water supply is open. 2. If the problem occurs again: <ul style="list-style-type: none"> – Contact customer service. → <i>"Customer Service", Page 25</i>
E:34-00 lights up alternately.	Water is continuously running into the appliance. <ol style="list-style-type: none"> 1. Close the water supply valve. 2. Contact customer service → <i>Page 25</i>.
E:61-02 lights up alternately.	Not an appliance error. The drain pump cover is loose or a foreign object is blocking the pump. <ul style="list-style-type: none"> ▶ Secure the cover of the drain pump so it clicks into place or clean the drain pump.



¹ Depending on the appliance specifications

Issue	Cause and troubleshooting
E:61-03 lights up alternately. Water is not draining.	<p>Not an appliance error. Garbage disposal is still plugged or the drain hose is kinked.</p> <ul style="list-style-type: none"> ▶ Check that the garbage disposal plug is removed and that the drain hose is not kinked. 
	<p>Not an appliance error. The drain pump cover is loose or a foreign object is blocking the pump.</p> <ul style="list-style-type: none"> ▶ Secure the cover of the drain pump so it clicks into place or clean the drain pump. 
	<p>Not an appliance error. High loop is missing and/or debris flushed back into drain hose and blocked it.</p> <ul style="list-style-type: none"> ▶ Be sure there is a high loop in the drain hose and that no debris has flushed back into the hose.
E:90-01 lights up alternately.	<p>Power voltage is too low. There is no problem with the appliance.</p> <ol style="list-style-type: none"> 1. Call an electrician. 2. Have the power voltage and electrical installation checked by an electrician.
E:92-40 lights up alternately.	<p>Filters are soiled or blocked.</p> <ul style="list-style-type: none"> ▶ Clean the filters. → <i>"Filter system", Page 20</i>
All LEDs light up or flash.	<p>A software update is possibly installing.</p> <ol style="list-style-type: none"> 1. Wait until the software update has been installed. <ul style="list-style-type: none"> This process can take approx. 30 minutes. 2. If the appliance is not ready to use after 30 minutes, perform a reset. <ul style="list-style-type: none"> – Press the main switch button for approx. 4 seconds. <p>✓ Your appliance is resetting.</p>
	<p>Electronics have detected a fault.</p> <ol style="list-style-type: none"> 1. Press the main switch button for approx. 4 seconds. <ul style="list-style-type: none"> The appliance is reset and restarted. 2. If the problem occurs again: <ul style="list-style-type: none"> – Switch off the appliance. – Unplug the power plug or switch off the circuit breaker in the fuse box. – Wait at least 2 minutes. – Switch on the circuit breaker in the fuse box or plug in the power plug. – Switch on the appliance. 3. If the problem occurs again: <ul style="list-style-type: none"> – Contact customer service. → <i>"Customer Service", Page 25</i>
Food remnants on dishware.	<p>Dishware was placed too close together or rack is overfilled.</p> <ol style="list-style-type: none"> 1. Arrange dishware with sufficient space in between. <ul style="list-style-type: none"> The spray jets must reach the surfaces of the dishware. 2. Avoid points of contact.

Issue	Cause and troubleshooting
Food remnants on dishware.	Spray arm rotation is blocked. <ul style="list-style-type: none"> ▶ Arrange dishware so it does not obstruct spray arm rotation.
	Spray arm nozzles are blocked. <ul style="list-style-type: none"> ▶ Clean the spray arms. <ul style="list-style-type: none"> → <i>"Cleaning spray arms", Page 20</i>
	Filters are dirty. <ul style="list-style-type: none"> ▶ Clean the filters. <ul style="list-style-type: none"> → <i>"Filter system", Page 20</i>
	Filters are inserted incorrectly and/or not engaged. <ol style="list-style-type: none"> 1. Insert the filters properly. <ul style="list-style-type: none"> → <i>"Filter system", Page 20</i> 2. Twist filters into place.
	Selected wash cycle is too light. <ul style="list-style-type: none"> ▶ Select a more intensive wash program. ▶ Adjust the sensitivity of the sensors. <ul style="list-style-type: none"> → <i>"Sensors", Page 5</i>
	Dishware has been precleaned too intensively. Then the sensors choose a lighter cycle. Stubborn remnants cannot be entirely removed. <ul style="list-style-type: none"> ▶ Only remove large remnants of food and do not pre-rinse dishware. ▶ Adjust the sensitivity of the sensors. <ul style="list-style-type: none"> → <i>"Sensors", Page 5</i>
There are removable streaks on glasses, glassware with a metallic appearance and silverware.	Tall narrow containers in corner areas are not rinsed out adequately. <ul style="list-style-type: none"> ▶ Do not position tall narrow containers at too great an angle or in corner areas.
	Upper rack on right and left not set to same height. <ul style="list-style-type: none"> ▶ Set the upper rack on the left and right to the same height. <ul style="list-style-type: none"> → <i>"Upper rack", Page 11</i>
	Amount of rinse aid to be dispensed is set too high. <ul style="list-style-type: none"> ▶ Set the rinse aid system to a lower setting. <ul style="list-style-type: none"> → <i>"Setting the amount of rinse aid", Page 14</i>
	No rinse aid has been added. <ul style="list-style-type: none"> ▶ Add rinse aid. <ul style="list-style-type: none"> → <i>"Adding rinse aid", Page 14</i>
	There is detergent residue in the final rinse. Lid of detergent dispenser is blocked by dishware and will not open fully. <ol style="list-style-type: none"> 1. Arrange dishware in the upper rack so the tab collecting tray is not obstructed by dishware. <ul style="list-style-type: none"> Items of dishware are blocking the dispenser lid. 2. Do not place dishware or fragrance dispensers in the tab collecting tray.
	Dishware has been precleaned too intensively. Then the sensors choose a lighter cycle. Stubborn remnants cannot be entirely removed. <ul style="list-style-type: none"> ▶ Only remove large remnants of food and do not pre-rinse dishware. ▶ Adjust the sensitivity of the sensors. <ul style="list-style-type: none"> → <i>"Sensors", Page 5</i>
Rust spots on silverware.	Silverware is not sufficiently rust-resistant. Knife blades are often more severely affected. <ul style="list-style-type: none"> ▶ Use rust-resistant dishware.
	Silverware may also rust if washed together with rusting items. <ul style="list-style-type: none"> ▶ Do not wash rusting items.

Issue	Cause and troubleshooting
Detergent residue is present in the detergent dispenser or the tab collecting tray.	<p>Spray arms were blocked by dishware so detergent was not rinsed out.</p> <ul style="list-style-type: none"> ▶ Check that the spray arms are not blocked and can rotate freely. <p>Detergent dispenser was damp when detergent was added.</p> <ul style="list-style-type: none"> ▶ Only add detergent to the detergent dispenser when dry.
Display shows SAnl.	<p>Not an appliance error. Dishware is sanitized.</p> <ul style="list-style-type: none"> ▶ See description for option sanitize.

15.1 Clean drain pump

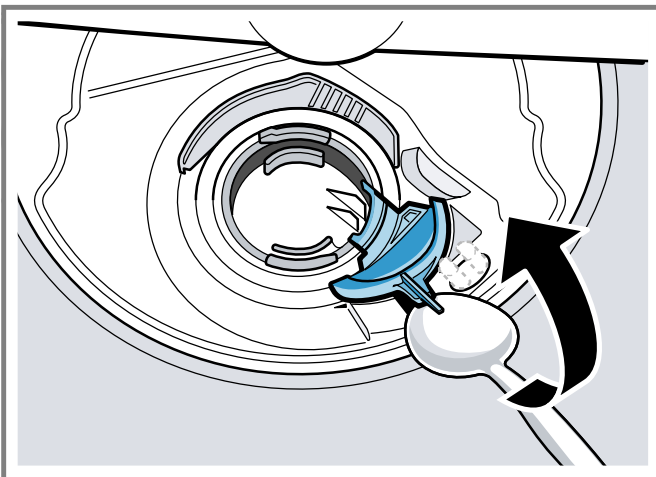
Large food remnants or foreign objects can block the drain pump. As soon as the dishwashing water no longer drains properly, the drain pump must be cleaned.

⚠ CAUTION

There may be some sharp debris, such as glass fragments, blocking the drain pump.

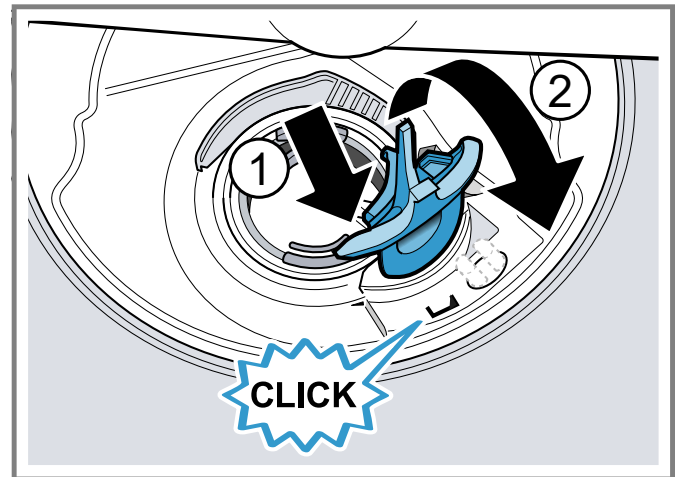
- ▶ Use caution when removing parts for cleaning.

1. Disconnect the appliance from the power supply.
2. Remove the upper and lower rack.
3. Remove the filter system.
4. Scoop out any water.
Use a sponge if necessary.
5. Pry the pump cover off using a spoon and grip it by the crosspiece.



6. Lift the pump cover diagonally inward and take it out.
✓ Now you can reach the impeller with your hand.
7. Remove any food remnants or foreign objects in the area of the impeller.

8. Insert the pump cover ① and press down ②.



- ✓ The pump cover clicks into position.
9. Install the filter system.
 10. Insert the upper and lower rack.

16 Transportation, storage and disposal

16.1 Transporting the appliance

To avoid damage to the appliance, empty it before transporting.

Note: Always transport the appliance upright to prevent residual water getting into the machine's controls and damaging the appliance.

1. Remove dishware from the appliance.
2. Secure loose parts.
3. Open the water supply valve.
4. Switch on the appliance.
5. Select the cycle with the highest temperature.
6. Start the cycle.
7. To drain the appliance, terminate the cycle after approx. 4 minutes.
→ "Terminating the wash cycle", Page 17
8. Switch off the appliance.
9. Close the water supply valve.
10. To empty the residual water out of the appliance, detach the supply hose and let the water drain out.

16.2 Vacation and Storage

NOTICE:

Preparing your appliance for vacation

- ▶ Before leaving for vacation during warmer weather, besides turning off the main valve, also turn off water supply at the nearest point to the dishwasher. During colder weather, please follow the instructions for winterizing your appliance below.

Winterizing your appliance

- ▶ If your dishwasher will be unused for an extended period of time in a location that experiences freezing temperatures (vacation home or through a vacation period), have your dishwasher winterized by a professional service.

16.3 Disposal of your old appliance

Environmentally sound disposal allows valuable raw materials to be recycled.

WARNING

Avoid a risk of entrapment upon disposal.

- ▶ Unplug the appliance from the power outlet.
- ▶ Cut the power cord and remove the door upon discarding the appliance.
- ▶ Check your local area for large appliance recycling programs.

17 Customer Service

With any warranty repair, we will make sure your appliance is repaired by an authorized service provider using genuine replacement parts. We use only genuine replacement parts for all repairs.

Detailed information on the warranty period and terms of warranty can be found in the Statement of Limited Product Warranty, from your retailer, or on our website.

If you contact Customer Service, you will need the model number (E-Nr.), the production number (FD) and the consecutive numbering (Z-Nr.) of your appliance.

USA:

1-800-735-4328

www.thermador.com/support

www.thermador.com/us/accessories

CA:

1-800-735-4328

www.thermador.ca

www.thermador.ca/en/support/filters-cleaners-accessories

For assistance with connecting to Home Connect®, you can also view instructions here:

www.home-connect.com/us/en/help-support/set-up

17.1 Model number (E-Nr.), production number (FD) and consecutive numbering (Z-Nr.)

You can find the model number (E-Nr.), the production number (FD) and the consecutive numbering (Z-Nr.) on the appliance's rating plate.

The rating plate is located inside the appliance door.

→ *"Familiarizing yourself with your appliance", Page 6*

Making a note of your appliance's details and the Customer Service telephone number will enable you to find them again quickly.

18 Technical specifications

Weight	Max.: 60 kg/132 lbs
Voltage	120 V, 60 Hz
Power rating	1440 W
Fuse	12 A
Water pressure	<ul style="list-style-type: none"> ■ Min. 7.25 psi (50 kPa) ■ Max. 145 psi (1000 kPa)
Inlet rate	Min. 2.6 gal/min
Water temperature	Cold water. Hot water max.: 140 °F/ (60 °C)
Load capacity	16 place settings

18.1 Information regarding Free and Open Source Software

This product includes software components that are licensed by the copyright holders as free or open source software.

The applicable license information is stored on your home appliance. You can also access the applicable license information via your Home Connect® app: "Profile -> Legal information -> License Information".¹ You can download the license information on the brand product website. (Please search on the product website for your appliance model and additional documents). Alternatively, you can request the relevant information from ossrequest@bshg.com or BSH Hausgeräte GmbH, Carl-Wery-Str. 34, 81739 Munich, Germany.

The source code will be made available to you on request. Please send your request to ossrequest@bshg.com or BSH Hausgeräte GmbH, Carl-Wery-Str.34, 81739 Munich, Germany.

Subject: „OSSREQUEST“

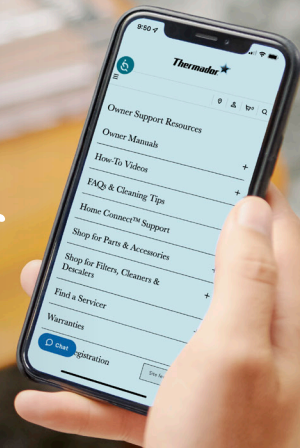
The cost of performing your request will be charged to you. This offer is valid for three years from the date of purchase or at least as long as we offer support and spare parts for the relevant appliance.

¹ Depending on the appliance specifications



A series of horizontal lines spanning the width of the page, providing a template for writing. The lines are evenly spaced and extend from the left margin to the right edge of the page.

Thermador[®] ★ Exclusive Insider Information



[Thermador.com/us/support/quicklinks](https://thermador.com/us/support/quicklinks)



Owner Manuals

Download owner manuals, specifications and CADs.



How-To Videos

View instructional videos for changing water filters, cleaning, adjusting settings, and beyond.



FAQs & Cleaning Tips

Browse through cleaning, usage, and troubleshooting tips.



Home Connect[®] Support

Find the answers to all your Home Connect[®] related questions.



Thermador Accessories Store

Purchase filters, cleaners, accessories, and parts.



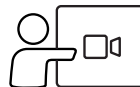
Warranties

View information on Thermador product warranties.



Product Registration

Register your products today to easily manage your appliance information.



Virtual Demo

Schedule a product overview to receive step-by-step guidance on using your appliance.



Virtual Showroom

Take a Virtual Showroom tour to view and interact with our entire collection of appliances.



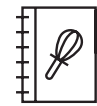
Newsletter

Get the latest information on product news and events.



Blog

Read about the latest in home design and culinary inspiration.



Recipes

Need inspiration for your next gathering? Browse our vast collection of recipes.

1901 MAIN STREET, SUITE 600 IRVINE, CA 92614 USA // 1-800-735-4328 // WWW.THERMADOR.COM

© 2024 BSH HOME APPLIANCES CORPORATION

9001861678 // en-us // 040617

