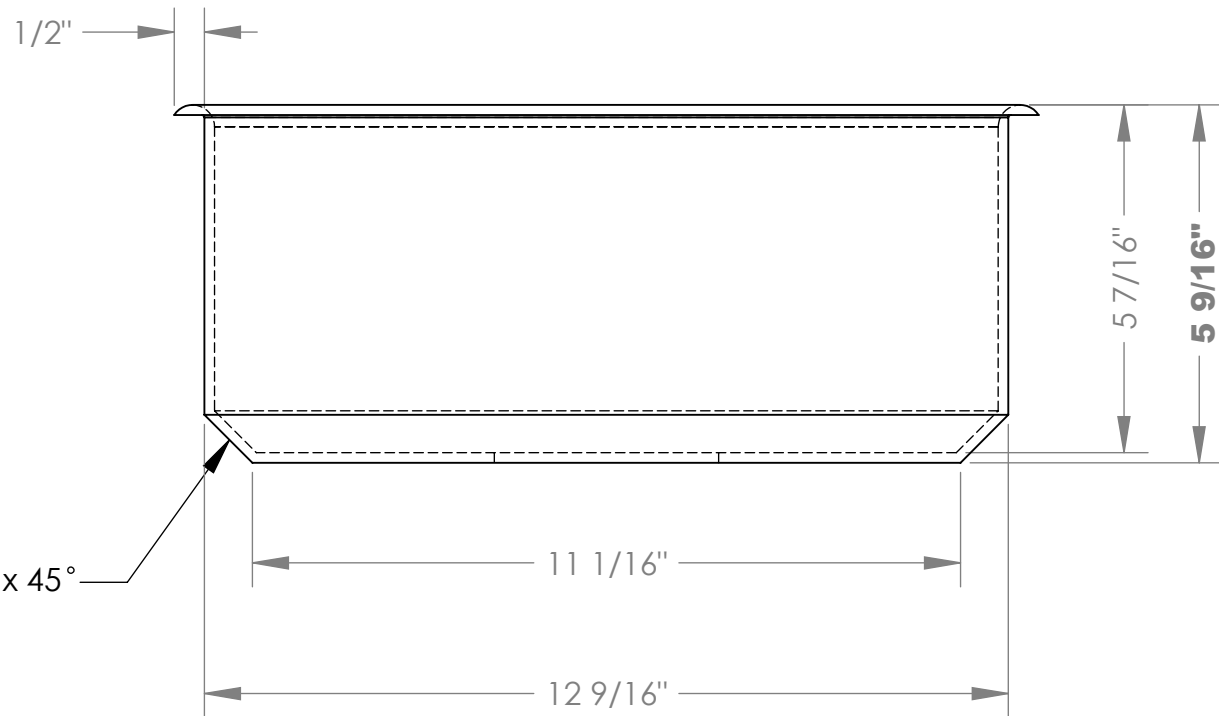
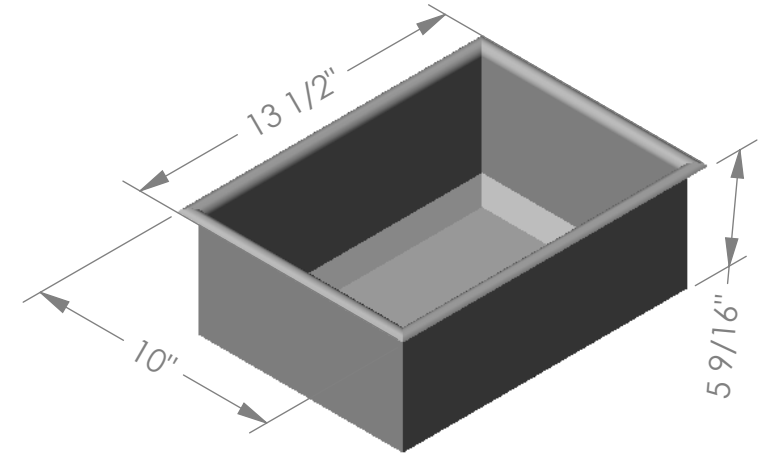


DWG#:		<b>75369 Tub</b>		Work Order: XXXXXXXX
NAME: BJ Clemmer		TOLERANCES ARE: METRIC----- +.5 / -.5MM DECIMAL----- +0 / -.005" FRACTIONAL----- +0/ -1/32" (UNLESS OTHERWISE SPECIFIED)		
DATE: 3/31/2009				
DESC: 75369 Tub				
REV	DESCRIPTION	DATE	CAD	ENG

- NOTES:  
 1. MATERIAL THICKNESS 4mm  
 2. MATERIAL - HIPS  
 3. RADIUS ALL EDGES



27mm x 45°

