

Metal Side Panel (with Optional Base Cover)

<u>CONTAINS:</u>	<u>QTY</u>	<u>DESCRIPTION</u>	<u>QTY</u>	<u>DESCRIPTION</u>
	1	Panel Assembly, Side	6	Screw, #10X3/4 Drill PH Hex Wash
	2	Bracket, Side Panel (rear)	1	Cover, Base
			1	Instruction Sheet

IMPORTANT NOTE: When a side panel is to be mounted on the hinge side of an over / under model, it will be necessary to reposition the lower front bracket down to the bottom mounting position in order to avoid interference between the lower bracket and the lower hinge plate. (See Figure 1)

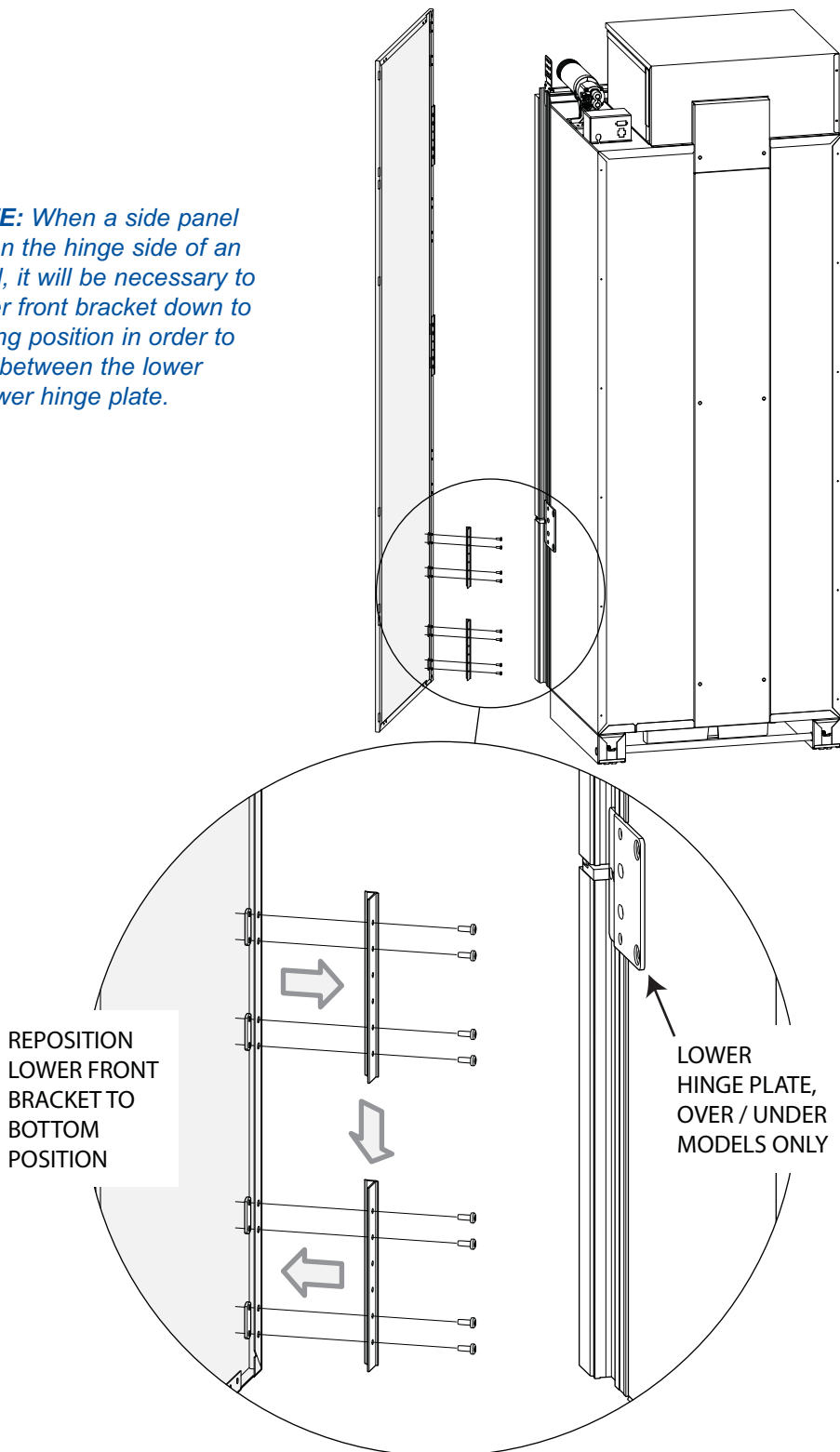


Figure 1. Reposition Lower Front Bracket (Over / Under Models Only)

Metal Side Panel (with Optional Base Cover)

NOTE: Side panels and base cover must be installed before the unit is placed in its final position.

ATTACH REAR SIDE PANEL BRACKETS TO BACK OF UNIT:

1. Align mounting holes of brackets with pre-punched locator holes along back side edge of unit, making sure bracket hooks are facing up and outward.
2. Insert the #10X3/4 Drill PH Hex Washer Screws through the bracket mounting holes (two each bracket), then use a power driver with a Phillips or 5/16" Hex bit to drive the screws into the pre-punched locator holes.

NOTE: It is not necessary to drill holes into the back of the unit in order to mount the brackets. It should be possible to push the screw tips through the unit shell while spinning the screws clockwise with a power driver. If a drill bit is used, be sure it is a 1/8" (3 mm) drill bit, but do NOT penetrate deeper than 3/4" (19 mm).

3. Attach optional base cover to side of unit base at this time. It has a magnetic back and can be adjusted after the unit is installed.

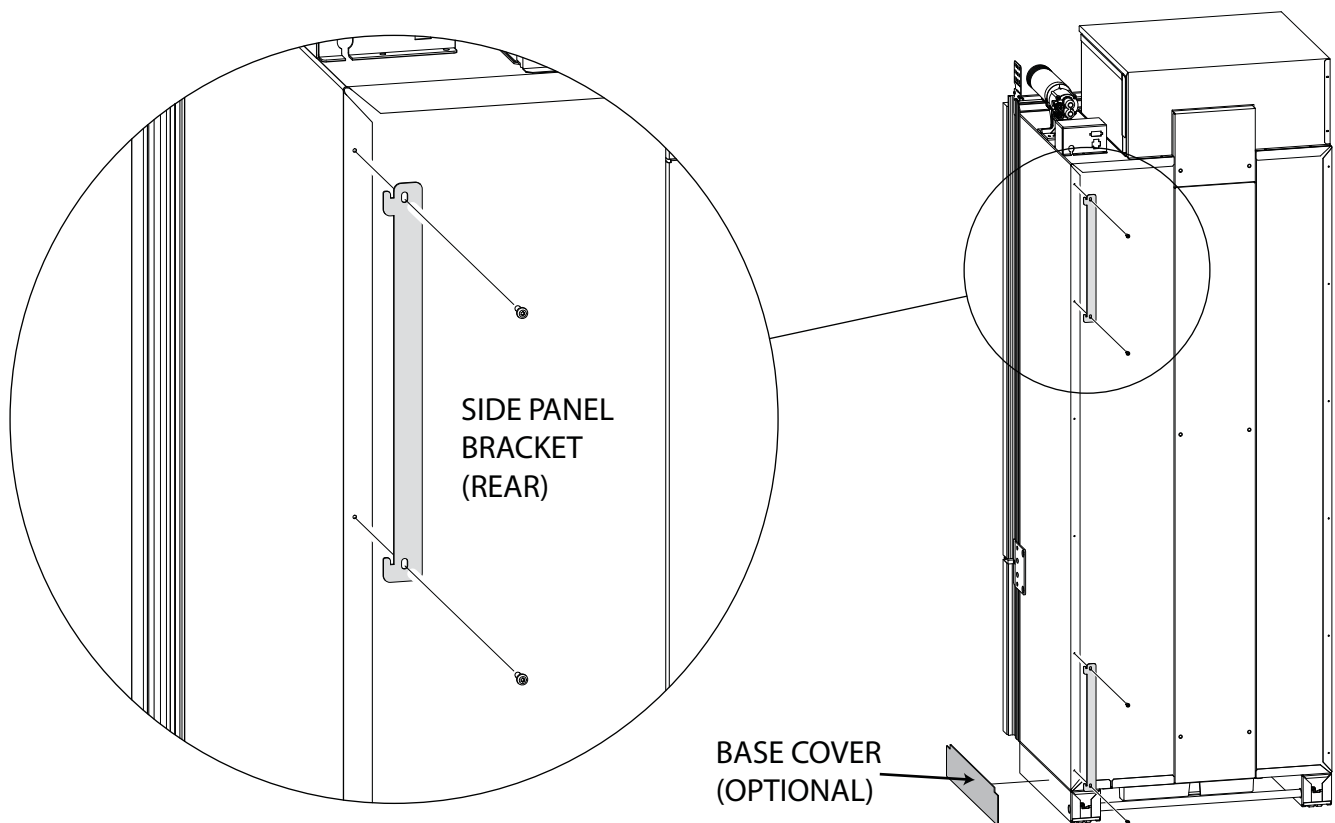


Figure 2. Attach Rear Side Panel Brackets

Metal Side Panel (with Optional Base Cover)

HANG SIDE PANEL:

1. With the side panel held at an angle to the side of the unit, engage the front brackets behind the mainframe (See Figure 3 and Figure 5), then rotate the back of the panel toward the unit so the front brackets hook in behind the mainframe (See Figure 4 and Figure 5) and the slots at the back of the side panel align with the rear bracket hooks (See Figure 5).
2. With the side panel tight against the side of the unit, pull the side panel down so the bracket hooks engage the tops of the slots at the back of the side panel.

NOTE: After unit is slid into position, adjust optional base cover at this time (See Figure 5). If base cover needs to be removed, unit must be pulled from installation so base cover can be slid toward back and out through rear slot of the side panel.

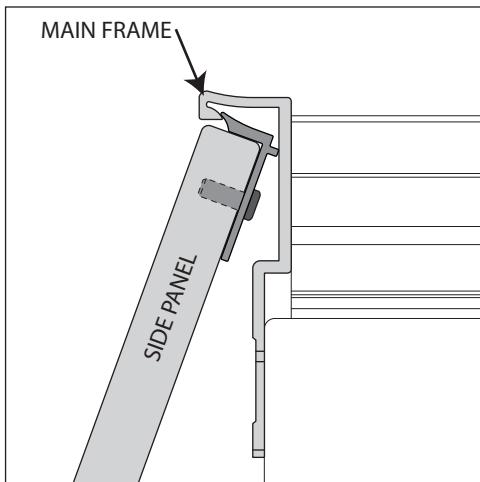


Figure 3. Hanging Side Panel, Top View

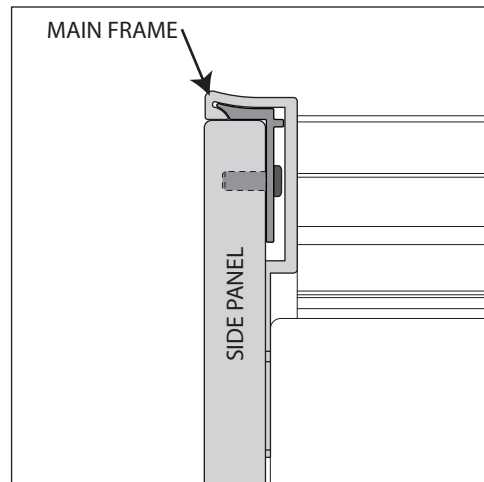


Figure 4. Hanging Side Panel, Top View

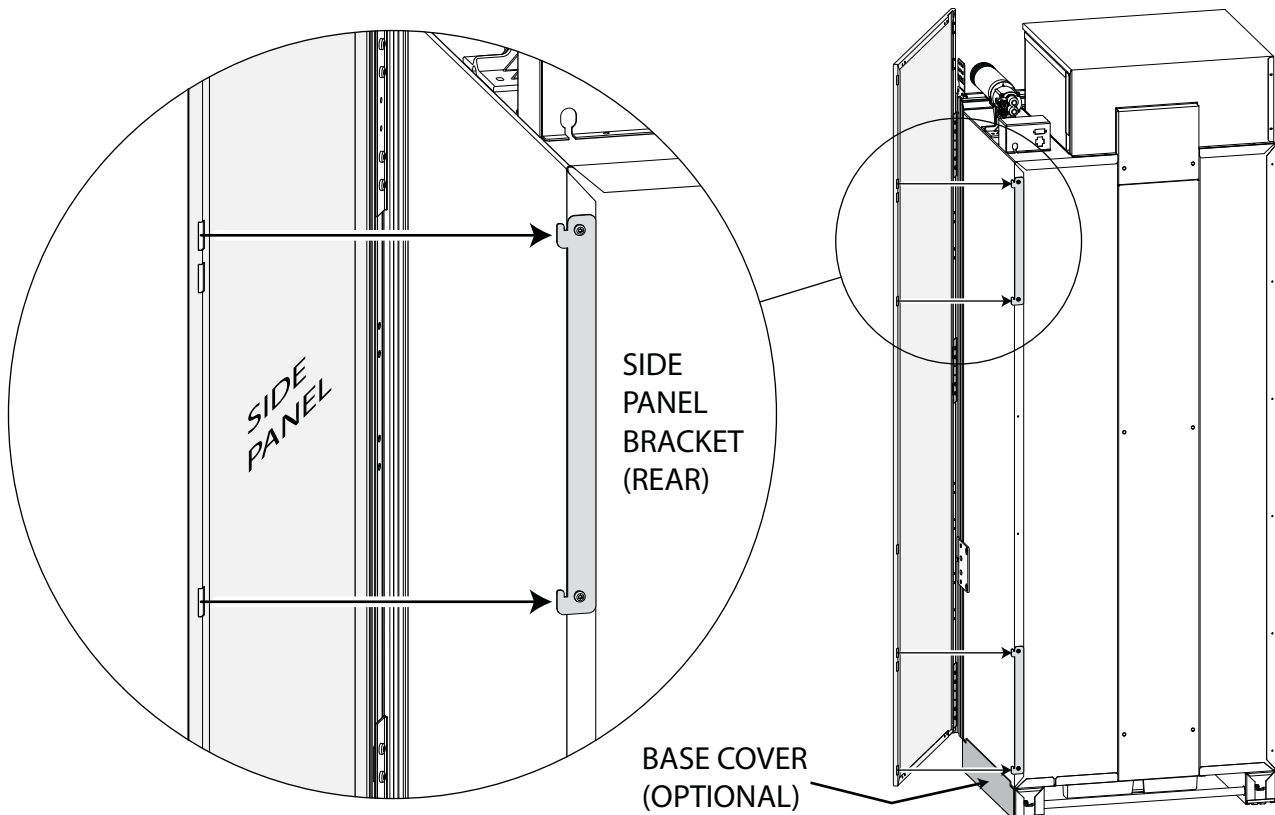


Figure 5. Hanging Side Panel, Rear View