

# SOFIA 36" PRO RANGE

SOFIA 36" PRO DUAL FUEL RANGE WITH GRIDDLE



CODE ID



F6PDF364GS1



- Heavy Duty Grates
- Trilaminare Stainless Steel Griddle
- Continuous Grate Surface
- Dual Crescendo Burner
- Dual True Convection
- Soft Closing Door
- Self Clean Oven
- Multi-level cooking
- 1 Telescopic Rack
- Cool Touch Door
- Digital Controls
- Meat Probe
- Fast Pre-Heat

## SUMMARY DESCRIPTION

The all-new 36" dual fuel range with griddle carries the same powerful yet elegant design as all Sofia ranges but now has a thoughtfully designed surface cooking with 4 burners and a central griddle. Each burner features our 5 in 1 Crescendo burner beneath our continuous heavy duty cast-iron grates with the same Trilaminare Stainless Steel griddle as our 48" ranges, providing unparalleled flexibility in a 36" range. The Crescendo burner has the power to sear, sauté, boil but also the control to temper and simmer the most delicate dishes.

Below the cooking surface, you will find a large self-cleaning electric dual true convection oven with intuitive multiple baking and broiling functions and the convenience of telescoping rack encourage you to cook the way you want.

Like all Sofia Pro ranges you can create your personalized nameplate for the oven door.

## COLOR KIT

	STAINLESS STEEL	GLOSSY WHITE	RAL 9016	
	MATTE BLACK RAL 9004	MATTE WHITE	RAL 9016	
	GLOSSY BLACK RAL 9004	MATTE GREY	RAL 9007	
	GLOSSY RED RAL 3003			

## OPTIONAL ACCESSORIES

PDRKIT36 ...	Color kit
FMWOK	Wok ring
FMSIM	Simmer plate
F6BG36BCI	Island trim
F6BG36STD	Standard trim
F6BG36HBT	High back trim
FMGRID36	36" Cast-Iron Griddle
FMTRP36	Telescopic rack

## SPECIFICATIONS

### COOKING SURFACE

- One piece, matte finish porcelain burner bowl
- 1 Trilaminare SS Griddle + Lid
- Tubular Gas Burner
- 2 Heavy Duty, continuous cast iron grates
- 4 Dual-Flame Crescendo Burners
- Two 20k and two 18k BTU Burners

### OVEN

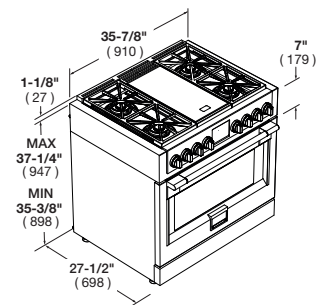
- Dual True Convection
- Self-cleaning oven with Multifunction baking
- Black Porcelain enamel interior
- Cool to the touch soft closing door
- Extra-large baking cavity and viewing area
- Gross capacity 5.7 cu.ft
- 1 Telescopic rack
- 2 Chrome racks
- 3 Halogen lights for flawless visibility
- Enameled Grill set ( basin + anti splash )

### OVEN FUNCTIONS

- Bake
- Broil
- Roast
- Convection
- True Convection
- Warm / Proof / Dehydrate
- Meat Probe
- Self-Clean
- Child Door Lock Sabbath Mode

# SOFIA 36" PRO RANGE

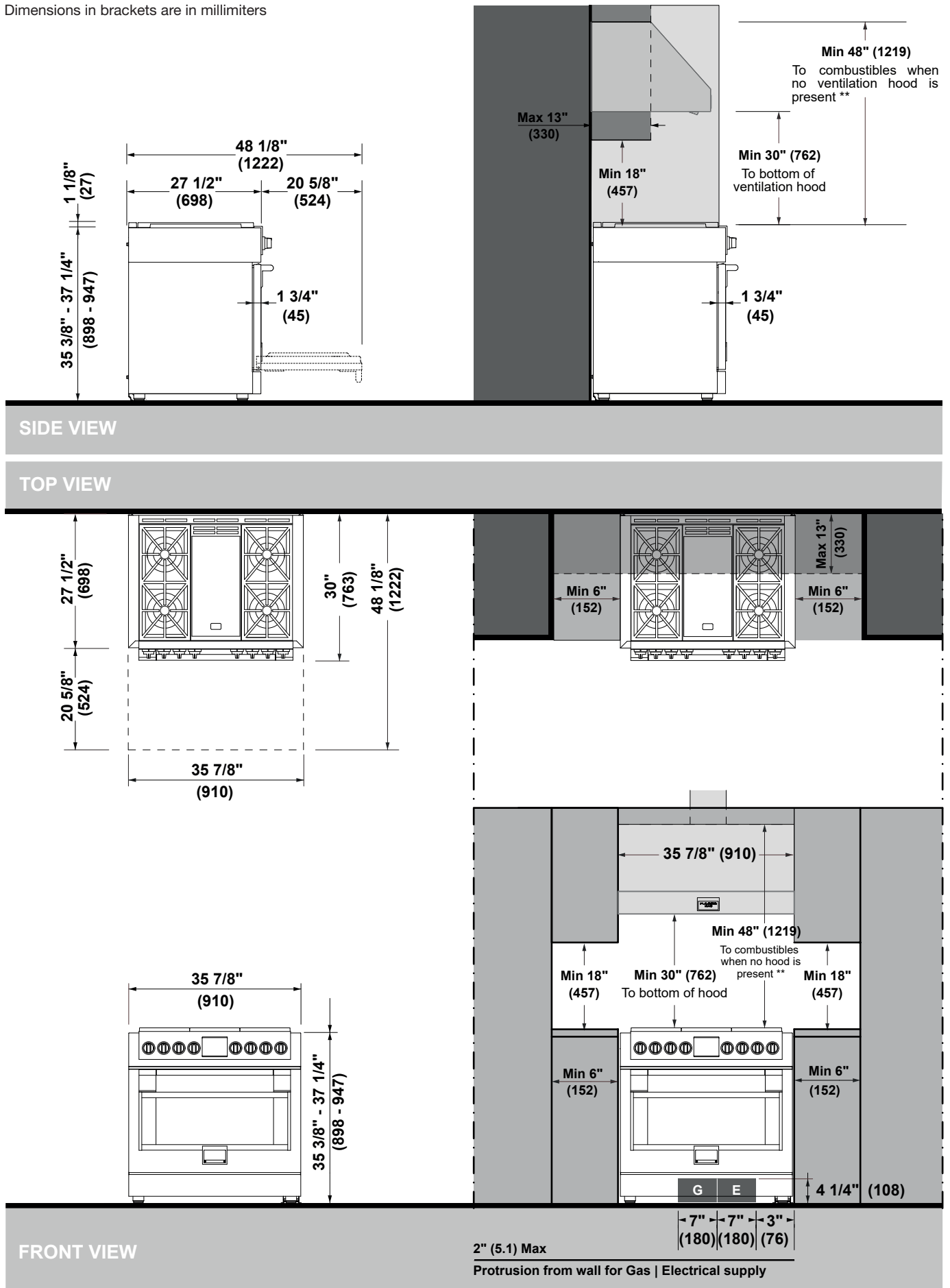
SOFIA 36" PRO DUAL FUEL RANGE WITH GRIDDLE



CODE ID		F6PDF364GS1			
Series	600				
Finish	Professional Design - Stainless Steel				
<b>COOKTOP</b>					
Type	GAS (NG or LP)				
Cooking Surface	Black Enameled				
<b>GAS COOKTOP FEATURES</b>					
Electric Flame Ignition and Re-ignition	•				
Flame-out sensing	•				
Top Mount Injectors	•				
L.P. Conversion Kit	•				
Dual Crown Burners (Brass or Alluminum)	•				
Griddle	•				
Minute Minder	•				
Heavy Duty Cast Iron Grates	2 + 1 trilaminate griddle				
Pressure Regulator	•				
<b>COOKING ZONES</b>					
4 Burner + Griddle					
Gas @ Pressure	Natural Gas @ 5"WC		Propane @ 10"WC		
	Power Max	Power Min	Power Max	Power Min	Power Min
Front Left	20000 (BTU/h) - 5850W	750 (BTU/h) - 220W	15000 (BTU/h) - 4400W	750 (BTU/h) - 220W	
Rear Left	18000 (BTU/h) - 5300W	750 (BTU/h) - 220W	15000 (BTU/h) - 4400W	750 (BTU/h) - 220W	
Middle (Griddle)	11500 (BTU/h) - 3370W	2000 (BTU/h) - 590W	11500 (BTU/h) - 3370W	2000 (BTU/h) - 590W	
Front Right	20000 (BTU/h) - 5850W	750 (BTU/h) - 220W	15000 (BTU/h) - 4400W	750 (BTU/h) - 220W	
Rear Right	18000 (BTU/h) - 5300W	750 (BTU/h) - 220W	15000 (BTU/h) - 4400W	750 (BTU/h) - 220W	
<b>OVEN</b>					
36"					
Type	ELECTRIC PIRO				
Oven Type	Electric Self-clean - Dual Convection				
Temperature Regulation	Electronic				
<b>OVEN FUNCTIONS</b>					
	Pyrolytic Self-Clean	Convection Broil	Dehydrate		
	True Convection	Convection Roast	Thaw (Defrost)		
	Pizza (Lower Convection)	Bake	Proof (Warm)		
	Broil	Oven Lights	Keep warm (Warm Plus)		
<b>CONTROL PANEL</b>					
Control type	MODULAR LED - Electronic				
Clock - Temperature - Function Display	LED				
Commands - Language	2 Knobs / 6 Touch Keys - English				
<b>ELECTRIC OVEN FEATURES</b>					
	Preset/Last Used Temperature Memory	Automatic Fast Preheat	Preheat Indicator (25%, 50%, 75%, 100%)		
	Commands Lock	12/24 hours clock format	Child Door Lock		
	Sabbath mode	°C/°F degree unit			
<b>OVEN DOOR(S)</b>					
Oven Glass Window	Deep Embossed Window				
Door Cooling System	4 Pane Heat Resistant Glass				
Door Hinges - Soft-closing System	Heavy Duty Steady Tilt				
Handle Style	Stainless Steel Tube d 30mm, metal end-caps				
<b>OVEN CAVITY</b>					
Net Capacity (cbft)	5.7				
Cavity Enameling Colour	Black				
Rack Positions / Oven Lights	6 / 3x20W Halogen				
<b>HEATING ELEMENTS (@240V)</b>					
Broil Upper Heating Element	3500 W (240V)				
Upper Auxiliary Element Wattage	1032W (240V)				
Concealed Bake Lower Heating Element	3000 W (240V)				
Convection Element Wattage	2x1300 W (240V)				
<b>OVEN ACCESSORIES</b>					
Chrome Racks / Telescopic Chrome Rack	2 / 1				
Enameled Broiler Pan (basin + anti splash)	1				
Meat probe	1				
<b>DIMENSIONS   WEIGHTS</b>					
Overall dim - Width	35 - 7/8"		910 mm		
Overall dim - Height	35 - 3/8" to 37-1/4"		898 mm - 947 mm		
Overall dim - Depth (including handle)	30"		763 mm		
Gross weight   Net weight	175,5 kg - 386,9 lb		156 kg - 343,9 lb		
<b>POWER / RATINGS (208/240 V, 60 HZ)</b>					
kW / Amps rating at 120-240V, 60Hz	4.24 kW - 17.7 A				
kW / Amps rating at 120-208V, 60Hz	3.94 kW - 19.0 A				
Cable + Plug   Cable length	Nema 14 - 50P   51" (1300 mm)				
<b>INSTRUCTIONS FOR USE</b>					
Use & Care Manual / Installation Manual	English / French / Spanish				

## DIMENSIONS - CUTOUT REQUIREMENTS

Dimensions in brackets are in millimeters



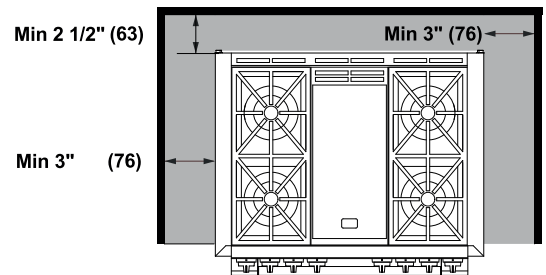
## INSTALLATION REQUIREMENTS

Ensure your installation also complies with local and national building and fire codes. If the surface of the entire back wall above the range and below the hood is not composed of a non-combustible material then the 9" accessory back guard must be used.

This range is manufactured for use with Natural gas or Propane. To convert to LP (propane) or NG (natural gas), see instructions in the gas conversion kit provided in the literature package. Proper gas supply connection must be available. See gas supply requirements.

## FLUSH ISLAND TRIM INSTALLATION

For island installation, maintain 2-1/2 inch minimum from cutout back edge of countertop and 3 inch minimum from cutout to side edges of countertop (see view).



## ELECTRICAL REQUIREMENTS

### ELECTRICAL SUPPLY

120/240 V - 60 Hz 4.24 kW 17.7 A  
 120/208 V - 60 Hz 3.94 kW 19.0 A

### SERVICE

50 Ampere dedicated circuit

### POWER CONNECTION

NEMA 14-50P

Specification sheets are for planning purposes only. Always refer to installation instructions, always consult the countertop fabricator/supplier prior to determining counter opening. Consult your HVAC engineer for your specific ventilation requirements. Always refer to installation instructions accompanying product or on available on [www.fulgor-milano.com/us/en](http://www.fulgor-milano.com/us/en) for your specific model number. Fulgor Milano retains the right to change product specifications or design without notice.