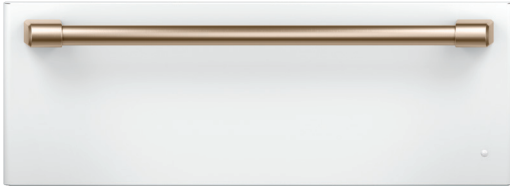


Café™ 30" Warming Drawer

CTW900P2PS1 / CTW900P3PD1 / CTW900P4PW2

CAFÉ

DISTINCT BY DESIGN™



ALSO AVAILABLE IN



CTW900P2PS1
Stainless Steel with
Brushed Stainless
handle



CTW900P3PD1
Matte Black with
Brushed Stainless
handle



FEATURES & BENEFITS

A range of temperatures for every need - Keep fresh courses at the ideal temperature or heat up dishes perfectly using variable degree control with 80- to 210-degree settings

A distinctly clean, smooth look - Your drawer is as easy on the eyes as it is to use thanks to a frameless front that exudes simplicity and style at the same time

Relish every bit of space - Keep items warm with an elevated half rack that maximizes drawer space

Humidity made flexible - From crispy to tender, always achieve the right texture with variable humidity control that never compromises results for the sake of warmth

It only takes a glance - Always know when your drawer is on with an indicator light that illuminates when it's in operation

Create a look that matches your personal style - Select any combination of premium finishes and hardware options to create a stunning look customized to any owner's taste

APPEARANCE

Color Appearance	Matte White
Installation	Flush Appearance with Hidden Controls; Under Cooktop; Under Wall Oven
Handle Design	Café Pro

FEATURES

Full Extension Ball Bearing Glides	Yes
Half Rack	Yes
One-piece stainless steel drawer	Yes
Power Cord Length	56"
Receptacle Type	3-Prong Grounded
Variable Humidity Control	Crisp - Moist
Variable Temperature Control	Proof(80)/Low(140)/Med(170)/High(210)
Control Type	On/Off Rocker Switch
Indicator Lights	"ON"

CAPACITY

Total Capacity (cubic feet)	1.9
-----------------------------	-----

POWER / RATINGS

Heating Element Wattage	450W
Volts/Hertz/Amps	120V/60Hz/15Amps

WEIGHTS & DIMENSIONS

Approximate Shipping Weight	65 lbs.
Cabinet Width	30 in.
Cutout Dimensions (w x h x d) (in.)	28-1/2 x 9-1/4 x 23-1/2
Interior Dimensions (w x h x d) (in.)	23-7/8 x 6-1/4 x 22-1/16
Net Weight	59 lbs.
Overall Depth	23 3/4 in.
Overall Depth with Handle	26-1/4 in.
Overall Height	10 1/2 in.
Overall Width	29 3/4 in.

Café™ 30" Warming Drawer

CTW900P2PS1 / CTW900P3PD1 / CTW900P4PW2

CAFÉ

DISTINCT BY DESIGN™

WARRANTY

Parts warranty	Limited 1-year entire appliance
Labor warranty	Limited 1-year entire appliance
Warranty notes	See written warranty for full details

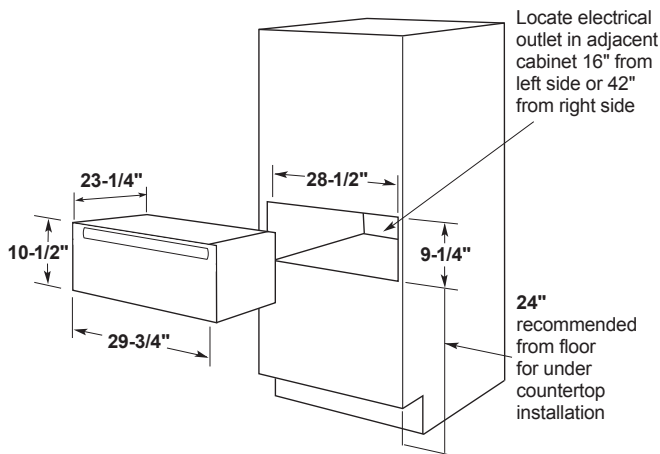
DIMENSIONS AND INSTALLATION INFORMATION (IN INCHES)

Undercounter Installation: A solid barrier must be installed at least 1" from the lowest point of the bottom of cooktop burner box to the top of the cutout. Use any solid material such as 1/4"-thick plywood. Allow at least 1/4" air gap between the barrier and the top of the warming drawer. See label on top of the warming drawer for approved cooktop models.

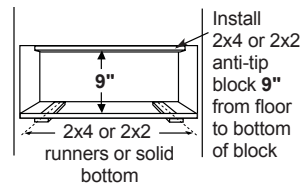
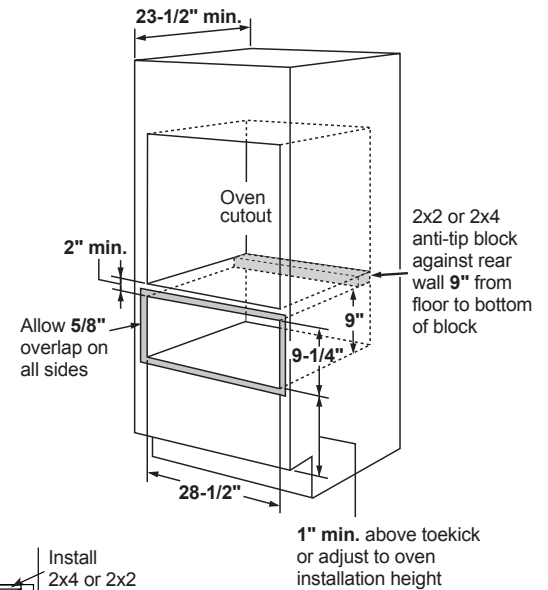
Under Oven Installation: Additional clearance between cutouts may be required. Check to be sure that oven supports above the warming drawer location do not obstruct the required interior 23-1/2" depth and 9-1/4" height.

Door handle protrudes 2-1/2" from door face. Cabinets and drawers on adjacent 45° and 90° walls should be placed to avoid interference with the handle.

Installation Information: Before installing, consult installation instructions packed with product for current dimensional data.

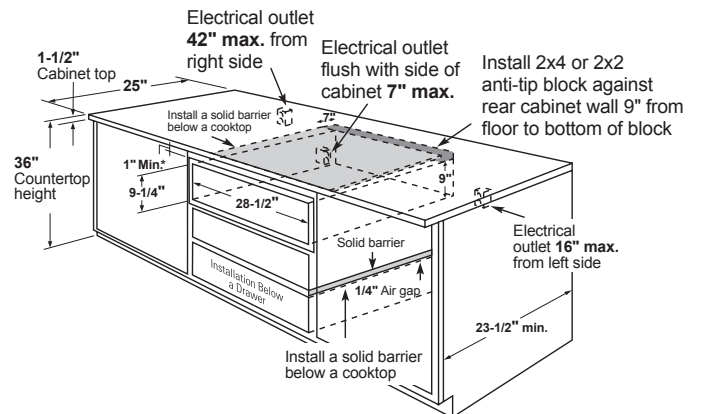


KW Rating	
120V	.45
Breaker Size	
120V	15 Amps



(Must Support 150 lbs.)

CTW900P2NS1
CTW900P3ND1
CTW900P4NW2



ADDITIONAL ACCESSORIES



CXWS0H0PMBZ
Brushed Bronze
1 handle

(Standard on Matte White)



CXWS0H0PMSS
Brushed Stainless
1 handle

(Standard on Matte Black)



CXWS0H0PMBT
Brushed Black
1 handle



CXWS0H0PMCUC
Brushed Copper
1 handle