



Count on it.

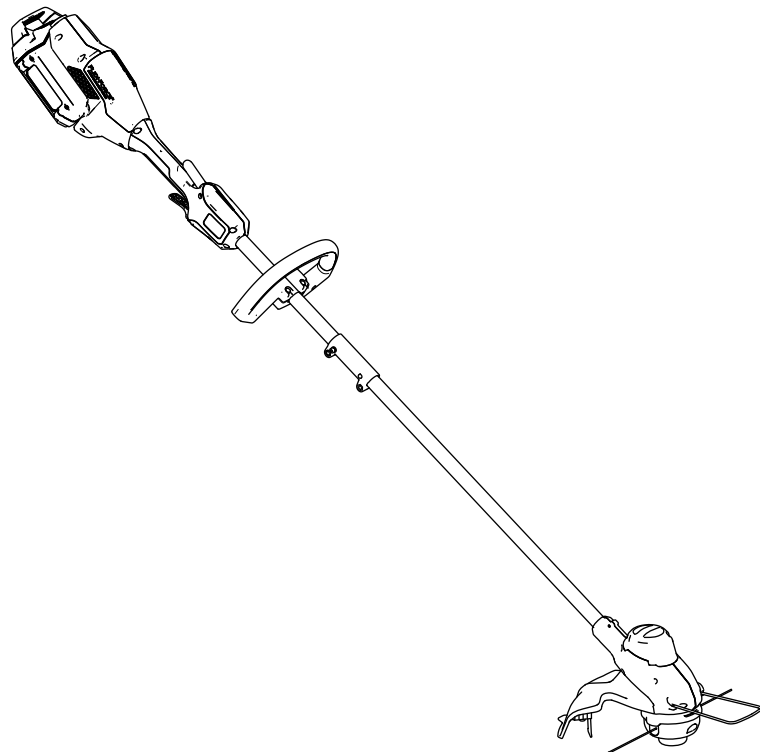
Operator's Manual

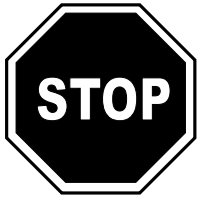
Flex-Force Power System™ 11in or 13in 60V MAX String Trimmer

Model No. 51834—Serial No. 323000001 and Up

Model No. 51834T—Serial No. 323000001 and Up

Model No. 51881—Serial No. 323000001 and Up





For assistance, please see www.Toro.com/support for instructional videos or contact 1-888-384-9939 before returning this product.

⚠ WARNING

**CALIFORNIA
Proposition 65 Warning**

The power cord on this product contains lead, a chemical known to the State of California to cause birth defects or other reproductive harm. Wash hands after handling.

Use of this product may cause exposure to chemicals known to the State of California to cause cancer, birth defects, or other reproductive harm.

Introduction

This trimmer is intended to be used by residential homeowners to trim grass as needed outdoors. It is designed to use Toro 60V lithium-ion battery packs. These battery packs are designed to be charged only by Toro 60V lithium-ion battery chargers. Using these products for purposes other than their intended use could prove dangerous to you and bystanders.

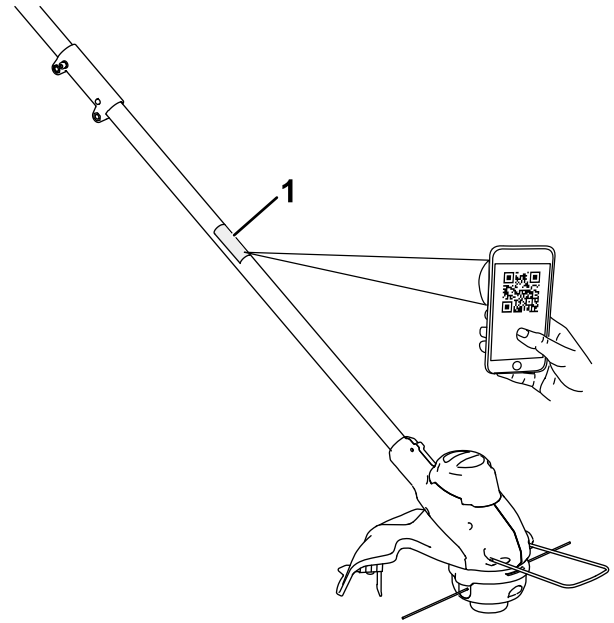
Model 51834T does not include a battery or a charger.

Read this information carefully to learn how to operate and maintain your product properly and to avoid injury and product damage. You are responsible for operating the product properly and safely.

Visit www.Toro.com for product safety and operation training materials, accessory information, help finding a dealer, or to register your product.

Whenever you need service, genuine the manufacturer parts, or additional information, contact an Authorized Service Dealer or the manufacturer Customer Service and have the model and serial numbers of your product ready. **Figure 1** identifies the location of the model and serial numbers on the product. Write the numbers in the space provided.

Important: With your mobile device, you can scan the QR code on the serial number decal (if equipped) to access warranty, parts, and other product information.



g425035

Figure 1

1. Model and serial number location

Model No. _____
Serial No. _____

Safety-Alert Symbol

The safety-alert symbol (Figure 2) shown in this manual and on the machine identifies important safety messages that you must follow to prevent accidents.



Figure 2
Safety-alert symbol

g000502

The safety-alert symbol appears above information that alerts you to unsafe actions or situations and is followed by the word **DANGER**, **WARNING**, or **CAUTION**.

DANGER indicates an imminently hazardous situation which, if not avoided, **will** result in death or serious injury.

WARNING indicates a potentially hazardous situation which, if not avoided, **could** result in death or serious injury.

CAUTION indicates a potentially hazardous situation which, if not avoided, **may** result in minor or moderate injury.

This manual uses two other words to highlight information. **Important** calls attention to special mechanical information and **Note** emphasizes general information worthy of special attention.

Safety

IMPORTANT SAFETY INSTRUCTIONS

⚠ WARNING

When using electric gardening tools, always read and follow basic safety warnings and instructions to reduce the risk of fire, electric shock, and personal injury, including the following:

Read All Instructions

I. Training

1. The operator of the tool is responsible for any accidents or hazards occurring to others or their property.
2. Do not allow children to use or play with the tool, battery pack, or the battery charger; local regulations may restrict the age of the operator.
3. Do not allow children or untrained people to operate or service this device. Allow only people who are responsible, trained, familiar with the instructions, and physically capable to operate or service the device.
4. Before using the tool, battery pack, and battery charger, read all the instructions and cautionary markings on these products.
5. Become familiar with the controls and proper use of the tool, battery pack, and battery charger.

II. Preparation

1. Keep bystanders and children away from the operating area.
2. Use only the battery pack specified by Toro. Using other accessories and attachments may increase the risk of injury and fire.
3. Plugging the battery charger into an outlet that is not 120 V can cause a fire or electric shock. Do not plug the battery charger into an outlet other than 120 V. For a different style of connection, use an attachment plug adapter of the proper configuration for the power outlet if needed.
4. Do not use a damaged or modified battery pack or battery charger, which may exhibit unpredictable behavior that results in fire, explosion, or risk of injury.
5. If the supply cord to the battery charger is damaged, contact an Authorized Service Dealer to replace it.
6. Charge the battery pack with only the battery charger specified by Toro. A charger suitable for

- 1 type of battery pack may create a risk of fire when used with another battery pack.
7. Charge the battery pack in a well-ventilated area only.
 8. Follow all charging instructions and do not charge the battery pack outside of the temperature range specified in the instructions. Otherwise, you may damage the battery pack and increase the risk of fire.
 9. Do not operate the tool without all guards and other safety protective devices in place and functioning properly on the tool.
 10. Dress properly—Wear appropriate clothing, including eye protection; long pants; substantial, slip-resistant footwear; rubber gloves; and hearing protection. Tie back long hair and do not wear loose clothing or loose jewelry that can get caught in moving parts. Wear a dust mask in dusty operating conditions.

III. Operation

1. Avoid dangerous environments—Do not use the tool in rain or in damp or wet locations.
2. Use the proper tool for your application—Using the tool for purposes other than its intended use could prove dangerous to you and bystanders.
3. Prevent unintentional starting—Ensure that the switch is in the OFF position before connecting to the battery pack and handling the tool. Do not carry the tool with your finger on the switch or energize the tool with the switch in the ON position.
4. Operate the tool only in daylight or good artificial light.
5. If the tool strikes an object or starts to vibrate, immediately shut off the tool, wait for all moving parts to stop, and disconnect the battery before examining the tool for damage. Make all necessary repairs before resuming operation.
6. Remove the battery pack from the tool before adjusting it or changing accessories.
7. Keep your hands and feet away from the cutting area and all moving parts.
8. Shut off the tool, remove the battery pack from the tool, and wait for all movement to stop before adjusting, servicing, cleaning, or storing the tool.
9. Remove the battery pack from the tool whenever you leave it unattended.
10. Do not force the tool—Allow the tool to do the job better and safer at the rate for which it was designed.
11. Do not overreach—Keep proper footing and balance at all times, especially on slopes. Walk, never run with the tool.

12. Stay alert—Watch what you are doing and use common sense when operating the tool. Do not use the tool while ill, tired, or under the influence of alcohol or drugs.
13. Ensure that the ventilation openings are kept clear of debris.
14. Under abusive conditions, the battery pack may eject liquid; avoid contact. If you accidentally come into contact with the liquid, flush with water. If the liquid contacts your eyes, seek medical help. Liquid ejected from the battery pack may cause irritation or burns.
15. Do not expose a battery pack or tool to fire or excessive temperature. Exposure to fire or temperature above 130°C (265°F) may cause explosion.
16. CAUTION—A mistreated battery pack may present a risk of fire, explosion, or chemical burn.
 - Do not disassemble the battery pack.
 - Replace the battery pack with a genuine Toro battery pack only; using another type of battery pack may cause a fire or risk of injury.
 - Keep battery packs out of the reach of children and in the original packaging until you are ready to use them.

IV. Maintenance and Storage

1. Maintain the tool with care—Keep it clean and in good repair for best performance and to reduce the risk of injury. Follow the instructions for lubricating and changing accessories. Keep handles dry, clean, and free from oil and grease.
2. When the battery pack is not in use, keep it away from metal objects such as paper clips, coins, keys, nails, and screws that can make a connection from 1 terminal to another. Shorting the battery terminals may cause burns or a fire.
3. Keep your hands and feet away from moving parts.
4. Shut off the tool, remove the battery pack from the tool, and wait for all movement to stop before adjusting, servicing, cleaning, or storing the tool.
5. Check the tool for damaged parts—If there are damaged guards or other parts, determine whether it will operate properly. Check for misaligned and binding moving parts, broken parts, mounting, and any other condition that may affect its operation. Unless indicated in the instructions, have an Authorized Service Dealer repair or replace a damaged guard or part.
6. Do not replace the existing non-metallic cutting means on the tool with a metallic cutting means.

7. Do not attempt to service or repair the tool, battery pack, or battery charger except as indicated in the instructions. Have an Authorized Service Dealer perform service using identical replacement parts to ensure that the product is safely maintained.
8. Store an idle tool indoors in a place that is dry, secure, and out of the reach of children.
9. Do not dispose of the battery in a fire. The cell may explode. Check with local codes for possible special disposal instructions.

SAVE THESE INSTRUCTIONS

Safety and Instructional Decals



Safety decals and instructions are easily visible to the operator and are located near any area of potential danger. Replace any decal that is damaged or missing.

60V MAX* DC STRING TRIMMER / DÉBROUSSAILLEUSE À FIL / DESBROZADORA

0.08" (2.0mm) DIAMETER NYLON LINE
 FIL EN NYLON DE 2,0 mm (0.8") DE DIAMÈTRE
 HILO DE NYLON DE 0.08" (2.0 mm) DE DIÁMETRO

*60VDC MAXIMUM / 54VDC NOMINAL
 *60 VDC MAXIMUM / 54 VDC NOMINALE
 *60 VDC MÁXIMA / 54 VDC NOMINAL

THE TORO COMPANY
 8111 Lyndale Avenue South
 Bloomington, MN 55420-1196 USA

PATENT: www.ttcopats.com
 Country of Origin: Vietnam

Conforms to / Conforme à la norme / Cumples la norma
 UL STD 82

Certified to / Certifié / Homologada según
 CSA-C22.2 No. 147

Model: 51834

Date Code: MM YY

Serial Number: 318000000

Intertek 5018666

145-8267

decal145-8267

LITHIUM-ION BATTERY CHARGER
 CHARGEUR DE BATTERIE LITHIUM-ION
 CARGADOR DE BATERIA DE ION-LITIO

Input: 120V AC ~ 60Hz 2A / Output: 60V DC 1A MAX

Backfeed Protection / Protection contre le retour d'énergie
 Protección frente a retroalimentación

THE TORO COMPANY
 8111 Lyndale Avenue South
 Bloomington, MN 55420-1196 USA

Country of Origin: China
 Model: 88610
 Patent: www.ttcopats.com

Serial Number: 318000000

Date Code: MM YY

144-3098

decal144-3098

60V MAX* DC STRING TRIMMER / DÉBROUSSAILLEUSE À FIL / DESBROZADORA

0.08" (2.0mm) DIAMETER NYLON LINE
 FIL EN NYLON DE 2,0 mm (0.8") DE DIAMÈTRE
 HILO DE NYLON DE 0.08" (2.0 mm) DE DIÁMETRO

*60VDC MAXIMUM / 54VDC NOMINAL
 *60 VDC MAXIMUM / 54 VDC NOMINALE
 *60 VDC MÁXIMA / 54 VDC NOMINAL

THE TORO COMPANY
 8111 Lyndale Avenue South
 Bloomington, MN 55420-1196 USA

PATENT: www.ttcopats.com
 Country of Origin: Vietnam

Conforms to / Conforme à la norme / Cumples la norma
 UL STD 82

Certified to / Certifié / Homologada según
 CSA-C22.2 No. 147

Model: 51834T

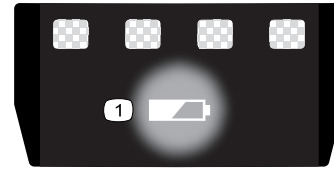
Date Code: MM YY

Serial Number: 318000000

Intertek 5018666

145-8268

decal145-8268



137-9461

decal137-9461

1. Battery charge status

THE TORO COMPANY
 8111 Lyndale Avenue South
 Bloomington, MN 55420-1196 USA

TORO

RECHARGEABLE LITHIUM ION BATTERY PACK /
 BATTERIE RECHARGEABLE AU LITHIUM-ION /
 BATERIA DE ION-LITIO RECARGABLE
 60 V MAX* DC 2.0 Ah, 108 Wh

See instruction manual for compatible TORO 60v devices and attachments. *60VDC MAXIMUM / 54VDC NOMINAL
 Voir le manuel d'instructions pour les appareils et accessoires TORO 60v compatibles. *60 VDC MAXIMUM / 54 VDC NOMINALE
 Consulte el manual de instrucciones para ver los dispositivos y accesorios TORO 60v compatibles. *60 VDC MÁXIMA / 54 VDC NOMINAL

PATENT: www.ttcopats.com
 Country of Origin: China

Conforms to / Conforme à la norme / Cumples la norma
 UL STD 62133
 Certified to / Certifié / Homologada según
 CSA STD C22.2 #62133

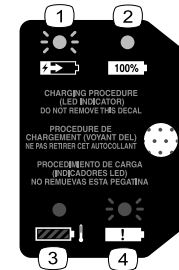
Model: 88620* 15INR19/66

Date Code: MM YY

Serial Number: 3180000000

140-8475

decal140-8475



144-3094

decal144-3094

- The battery pack is charging.
- The battery pack is fully charged.
- The battery pack is over or under the appropriate temperature range.
- Battery pack charging fault.

- Read the *Operator's Manual*.
- Call2Recycle® battery recycling program
- Keep away from open fire or flames.
- Do not expose to rain.



decal139-5210

139-5210

1. Warning—read the *Operator's Manual*; stay away from moving parts; keep all guards in place; wear eye protection; do not operate in wet conditions.

⚠ WARNING To reduce risk of injury to persons, remove battery pack when not in use. See instruction manual for compatible TORO 60v devices and attachments.

⚠ AVERTISSEMENT Pour réduire les risques de blessures corporelles, retirez la batterie quand vous ne l'utilisez pas. Voir le manuel d'instructions pour les appareils et accessoires TORO 60v compatibles.

⚠ ADVERTENCIA Para reducir el riesgo de lesiones a personas, retire la batería cuando no esté en uso. Consulte el manual de instrucciones para ver los dispositivos y accesorios TORO 60v compatibles.

⚠ WARNING: Cancer and Reproductive Harm - www.P65Warnings.ca.gov. For more information, please visit www.ttcocAProp65.com

⚠ AVERTISSEMENT: Cancer et Troubles de l'appareil reproducteur - www.P65Warnings.ca.gov. Pour plus d'informations, veuillez visiter www.toro.com/CAProp65

⚠ ADVERTENCIA: Cáncer y Daño Reproductivo - www.P65Warnings.ca.gov. Para obtener más información, visite www.toro.com/CAProp65

139-5346

decal139-5346

⚠ CAUTION TO REDUCE THE RISK OF INJURY, USER MUST READ AND UNDERSTAND INSTRUCTION MANUAL. Charge only TORO 60v Li-Ion rechargeable battery. Other types of batteries may burst causing personal injury and damage. DANGER: risk of electric shock. Do not expose to liquid, vapor, or rain. Do not interconnect output terminal. For indoor use only.

⚠ ATTENTION POUR RÉDUIRE LES RISQUES DE BLESSURE, L'UTILISATEUR DOIT LIRE ET COMPRENDRE LE MODE D'EMPLOI. Utilisez uniquement pour les batteries rechargeables type TORO 60v Li-Ion. D'autres types de batteries pourraient exploser et causer des blessures ou des dommages. DANGER : risque de décharge électrique. Ne pas exposer à des liquides, à la vapeur ou à la pluie. Ne pas interconnecter la borne de sortie. Pour usage intérieur uniquement.

⚠ PRECAUCIÓN PARA REDUCIR EL RIESGO DE LESIONES, EL USUARIO DEBE LEER Y COMPRENDER EL MANUAL DE INSTRUCCIONES. Cargue únicamente baterías recargables de ion-litio TORO de 60 V. Otros tipos de baterías pueden explotar y causar lesiones personales y daños materiales. PELIGRO: Riesgo de descarga eléctrica. No exponer a líquidos, vapor o lluvia. No interconectar un terminal de salida. Para uso en espacios interiores únicamente.

⚠ CAUTION TO REDUCE THE RISK OF INJURY, USER MUST READ AND UNDERSTAND INSTRUCTION MANUAL. Charge only TORO 60v Li-Ion rechargeable battery. Other types of batteries may burst causing personal injury and damage. DANGER: risk of electric shock. Do not expose to liquid, vapor, or rain. Do not interconnect output terminal. For indoor use only.

⚠ ATTENTION POUR RÉDUIRE LES RISQUES DE BLESSURE, L'UTILISATEUR DOIT LIRE ET COMPRENDRE LE MODE D'EMPLOI. Utilisez uniquement pour les batteries rechargeables type TORO 60v Li-Ion. D'autres types de batteries pourraient exploser et causer des blessures ou des dommages. DANGER : risque de décharge électrique. Ne pas exposer à des liquides, à la vapeur ou à la pluie. Ne pas interconnecter la borne de sortie. Pour usage intérieur uniquement.

⚠ PRECAUCIÓN PARA REDUCIR EL RIESGO DE LESIONES, EL USUARIO DEBE LEER Y COMPRENDER EL MANUAL DE INSTRUCCIONES. Cargue únicamente baterías recargables de ion-litio TORO de 60 V. Otros tipos de baterías pueden explotar y causar lesiones personales y daños materiales. PELIGRO: Riesgo de descarga eléctrica. No exponer a líquidos, vapor o lluvia. No interconectar un terminal de salida. Para uso en espacios interiores únicamente.

Conforme to / Conforme à la norme / Cumple la norma / UL STD 1012 / Certified by Certifié / Intermédiate según / CSA STD C222 No.107.2

Other than Class 2 Battery Charger / Autre que Chargeur de batterie Classe 2 / Cargador de baterías distinto al de Clase 2

CAN ICES-3(B)/NMB-3(B)

FC BC

SGS ENERGY EFFICIENCY 800797

144-3096

decal144-3096

Setup

Loose Parts

Use the chart below to verify that all parts have been shipped.

Procedure	Description	Qty.	Use
1	Allen wrench	1	Unfold the handle.
2	Auxiliary handle assembly Screwdriver (not included)	1 –	Install the auxiliary handle.
3	Guard Screwdriver (not included)	1 –	Install the guard.
4	Wire edge guard	1	Install the edge guard.

Important: The battery pack is not fully charged when you purchase it. Before using the tool for the first time, refer to [Charging the Battery Pack \(page 14\)](#).

1

Unfolding the Handle

Parts needed for this procedure:

1	Allen wrench
---	--------------

Procedure

1. Unfold the handle (A of [Figure 3](#)).
2. Align the locking button on the lower shaft with the slotted hole on the upper shaft and slide the 2 shafts together (B and C of [Figure 3](#)).
Note: The locking button clicks into the slotted hole when the shafts are secured (D of [Figure 3](#)).
3. Using the provided Allen wrench, tighten the screw on the shaft connector until it is secure (E of [Figure 3](#)).

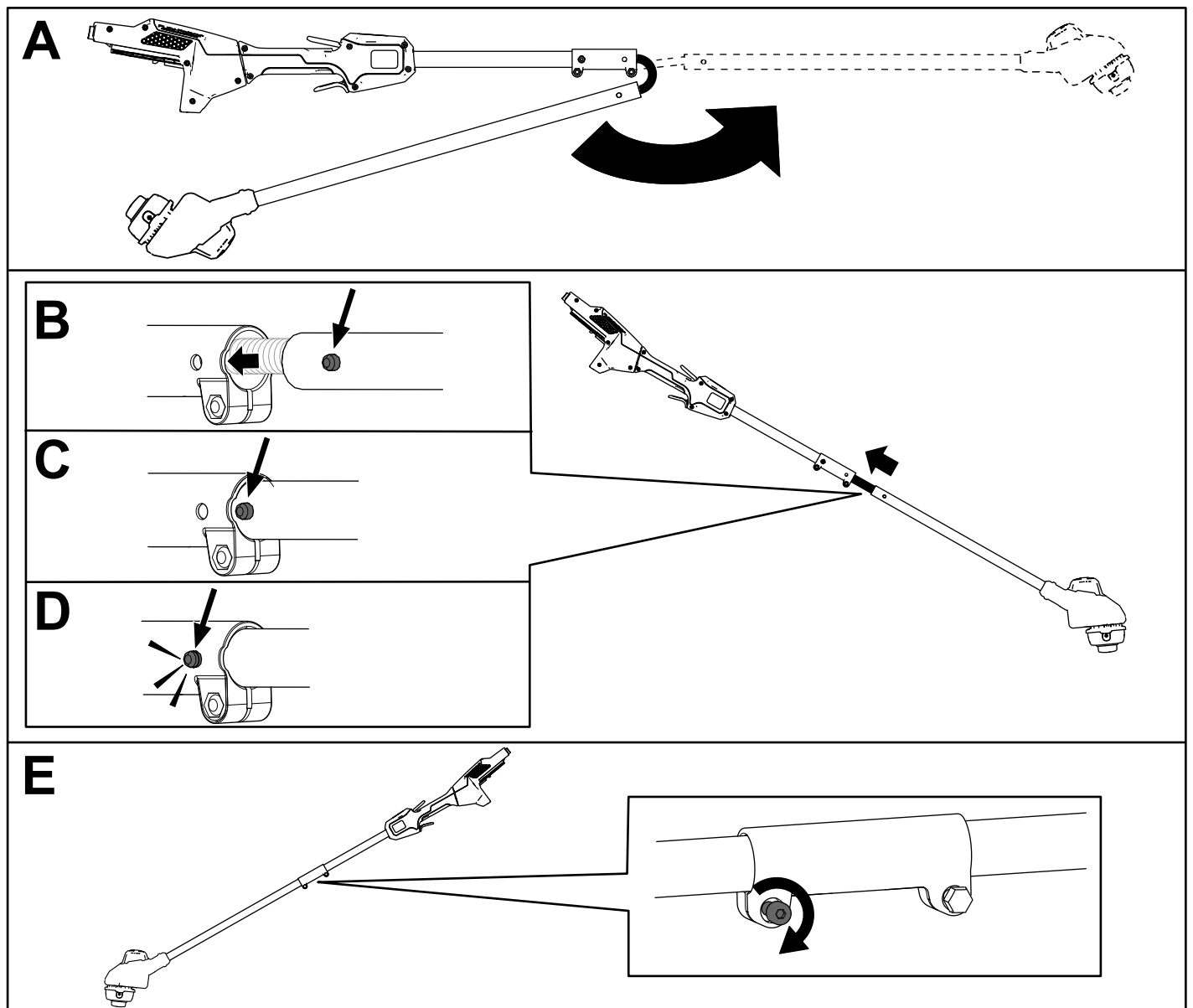


Figure 3

g333608

2

Installing the Auxiliary Handle

Parts needed for this procedure:

1	Auxiliary handle assembly
-	Screwdriver (not included)

Procedure

1. Using a Phillips head screwdriver, separate the auxiliary handle from the handle plate by removing the 2 screws (A of [Figure 4](#)).
2. Line up the auxiliary handle with auxiliary handle plate on the trimmer handle (B of [Figure 4](#)).
3. Secure the auxiliary handle to the handle plate with the 2 previously removed screws (C of [Figure 4](#)).

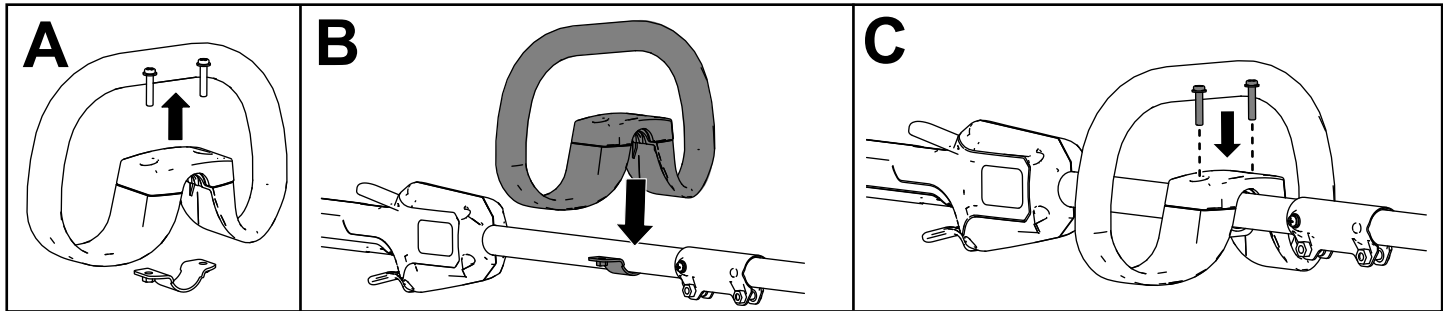


Figure 4

g331072

3

Installing the Guard

Parts needed for this procedure:

1	Guard
-	Screwdriver (not included)

Procedure

1. Remove the 2 socket head screws, 2 washers, and 2 spacers from the trimmer base (A of [Figure 5](#)).
2. Align the guard onto the trimmer base (B of [Figure 5](#)).
3. Secure the guard onto the base of the trimmer with the 2 socket head screws, 2 washers, and 2 spacers previously removed (C of [Figure 4](#)).

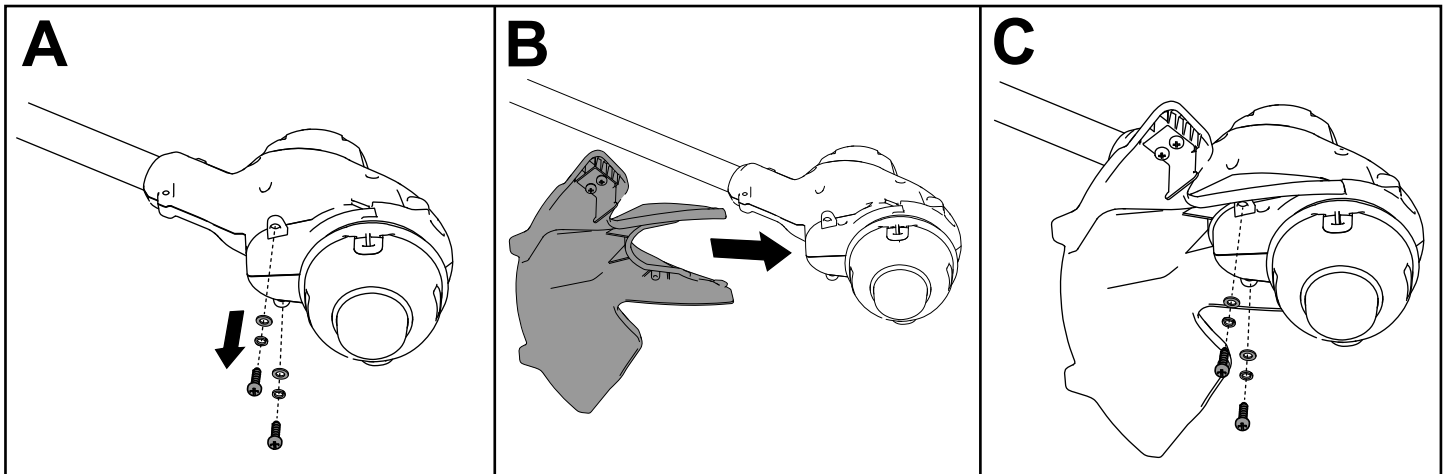


Figure 5

g333607

4

Installing the Edge Guard

Parts needed for this procedure:

1	Wire edge guard
---	-----------------

Procedure

Slightly spread the ends of the wire edge guard apart and then insert the ends into the holes in the trimmer housing as shown in [Figure 6](#).

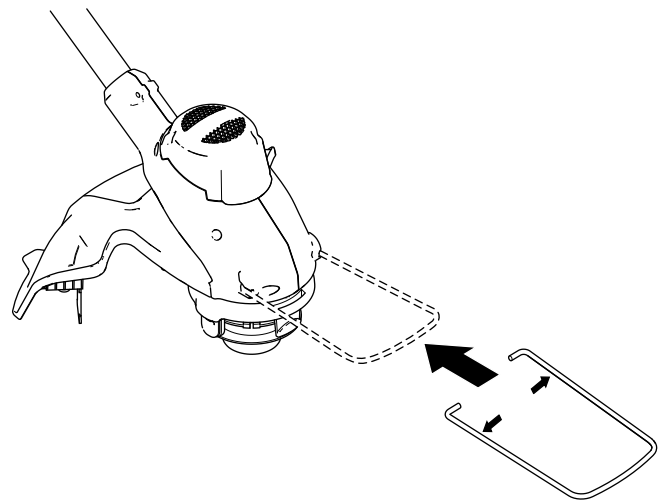


Figure 6

g333376

Product Overview

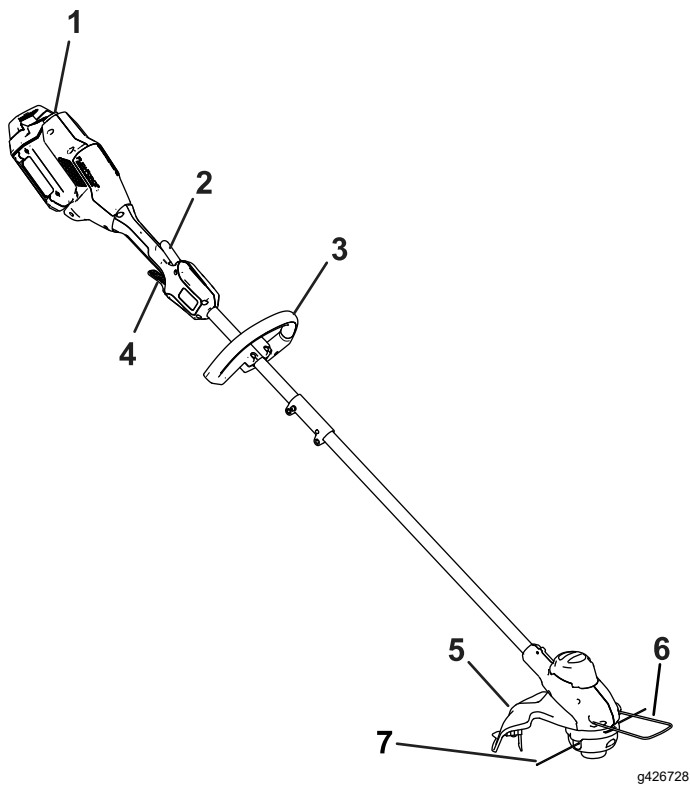


Figure 7

- | | |
|---------------------|---------------|
| 1. Battery latch | 5. Guard |
| 2. Lockout trigger | 6. Wire guard |
| 3. Auxiliary handle | 7. String |
| 4. Run trigger | |

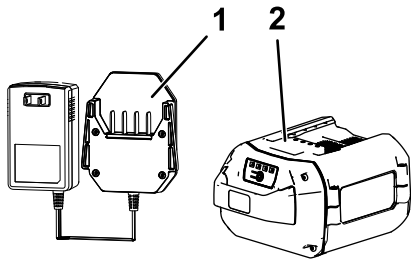


Figure 8

- | | |
|--|---|
| 1. Battery charger Model 88610 (included with Model 51834) | 2. Battery pack Model 88620 (included with Model 51834) |
|--|---|

Specifications

Model	51834/T
Rated Voltage	60V DC maximum, 54 VDC nominal usage
Charger Type	Toro 60V lithium-ion chargers
Battery Type	Toro 60V lithium-ion batteries

Appropriate Temperature Ranges

Charge/store the battery pack at	5°C (41°F) to 40°C (104°F)*
Use the battery pack at	-30°C (-22°F) to 49°C (120°F)
Use the trimmer at	0°C (32°F) to 49°C (120°F)
Store the trimmer at	0°C (32°F) to 49°C (120°F)*

*Charging time will increase if you do not charge the battery within this range.

Store the tool, battery pack, and battery charger in an enclosed clean, dry area.

Attachments/Accessories

A selection of Toro approved attachments and accessories is available for use with the machine to enhance and expand its capabilities. Contact your Authorized Service Dealer or authorized Toro distributor or go to www.Toro.com for a list of all approved attachments and accessories.

To ensure optimum performance and continued safety certification of the machine, use only genuine Toro replacement parts and accessories. Replacement parts and accessories made by other manufacturers could be dangerous.

Operation

Starting the Trimmer

1. Make sure that the vents on the trimmer are clear of any dust and debris.

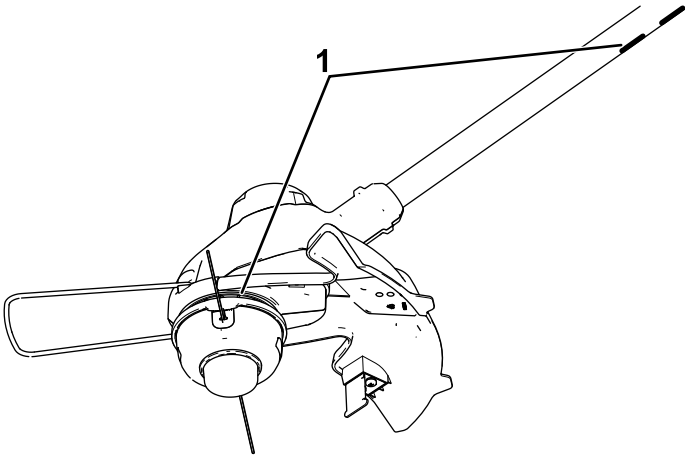


Figure 9

g333378

1. Trimmer venting areas

2. Align the cavity in the battery pack with the tongue on the handle housing (Figure 10).
3. Push the battery pack into the handle until the battery locks into the latch (Figure 10).

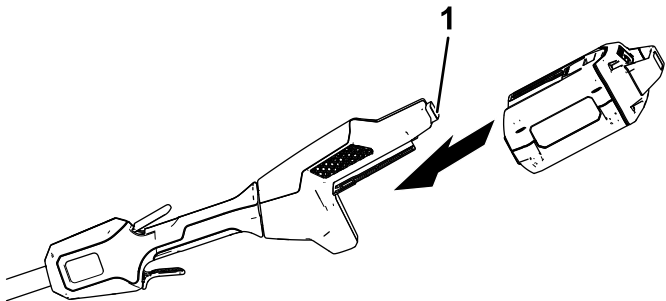


Figure 10

g339792

1. Battery latch

4. To start the trimmer, squeeze the lockout trigger, then squeeze the run trigger (Figure 11).

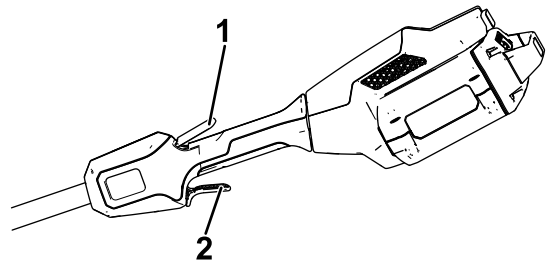


Figure 11

g339793

1. Lockout trigger
2. Run trigger

Shutting Off the Trimmer

To shut off the trimmer, release both triggers.

Whenever you are not using the trimmer or are transporting the trimmer to or from the work area, remove the battery pack.

Removing the Battery Pack from the Trimmer

Press the battery latch on the machine to release the battery pack and slide the battery pack out of the machine (Figure 12).

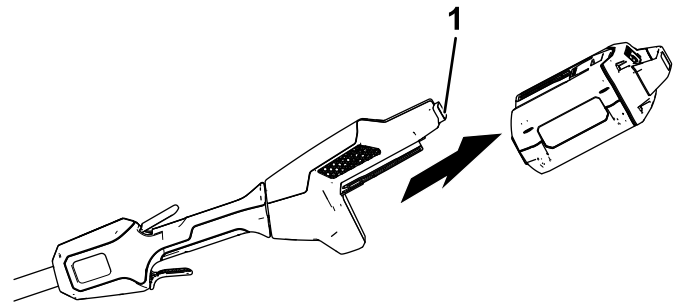


Figure 12

g339794

1. Battery latch

Charging the Battery Pack

Important: The battery pack is not fully charged when you purchase it. Before using the tool for the first time, place the battery pack in the charger and charge it until the LED display indicates the battery pack is fully charged. Read all safety precautions.

Important: Charge the battery pack only in temperatures that are within the appropriate range; refer to [Specifications \(page 12\)](#).

Note: At any time, press the battery-charge-indicator button on the battery pack to display the current charge (LED indicators).

1. Ensure that the vents on the battery and battery charger are clear of any dust and debris.

5. Refer to the following table to interpret the LED indicator light on the battery charger.

Indicator light	Indicates
Off	No battery pack inserted
Green blinking	Battery pack is charging
Green	Battery pack is charged
Red	Battery pack and/or battery charger is over or under the appropriate temperature range
Red blinking	Battery pack charging fault*

*Refer to [Troubleshooting \(page 19\)](#) for more information.

Important: The battery can be left on the charger for short periods between uses.

If the battery will not be used for longer periods, remove the battery from the charger; refer to [Storage \(page 18\)](#).

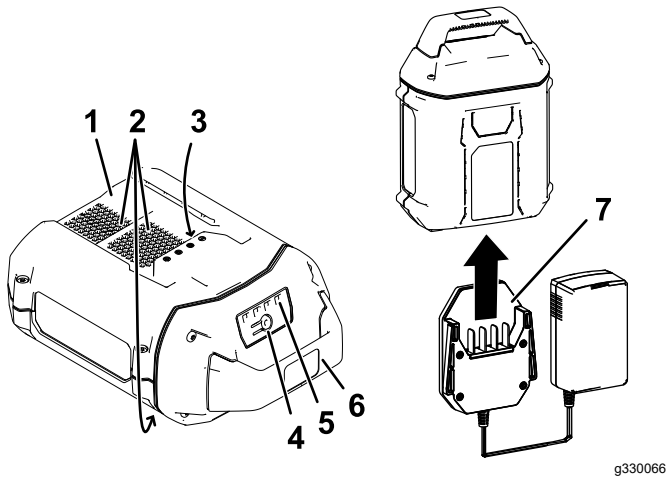


Figure 13

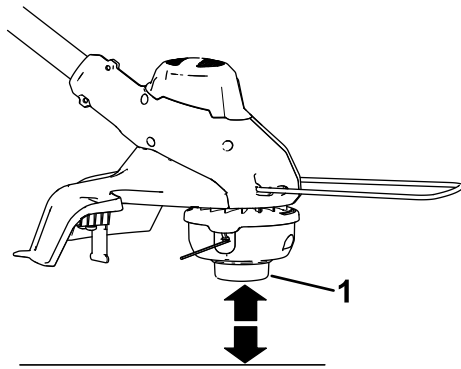
- | | |
|------------------------------------|------------------------------------|
| 1. Battery pack cavity | 5. LED indicators (current charge) |
| 2. Battery pack venting areas | 6. Handle |
| 3. Battery pack terminals | 7. Charger LED indicator light |
| 4. Battery-charge-indicator button | 8. Charger venting areas |
2. Line up the cavity in the battery pack ([Figure 13](#)) with the tongue on the charger.
 3. Slide the battery pack into the charger until it is fully seated ([Figure 13](#)).
 4. To remove the battery pack, slide the battery backward out of the charger.

Advancing the Line Using the Bump Feed

1. Run the tool at full throttle.
2. Tap the bump button on the ground to advance the line. The line advances each time the bump button is tapped. Do not hold the bump button on the ground.

Note: The line trimming cut-off blade on the grass deflector cuts the line to the correct length.

Note: If the line is worn too short, you may not be able to advance the line by tapping it on the ground. If so, release both triggers and refer to [Advancing the Line Manually \(page 15\)](#).



g333389

Figure 14

1. Bump button
-

Advancing the Line Manually

Remove the battery pack from the trimmer, then push the bump button at the base of the spool retainer while pulling on the trimmer line to manually advance the line.

Adjusting the Cutting Swath

The trimmer comes from the factory with a cutting swath of 28 cm (11 inches) as shown in A of Figure 15. Refer to the following instructions to adjust the swath to 33 cm (13 inches) as shown in D of Figure 15.

1. Remove the swath blade from the guard by removing the 2 screws and 2 lock washers holding it in place (B of Figure 15) and rotate the swath blade 180°.
2. Once the swath blade is rotated, install it onto the guard using the 2 screws and 2 lock washers previously removed (C of Figure 15).

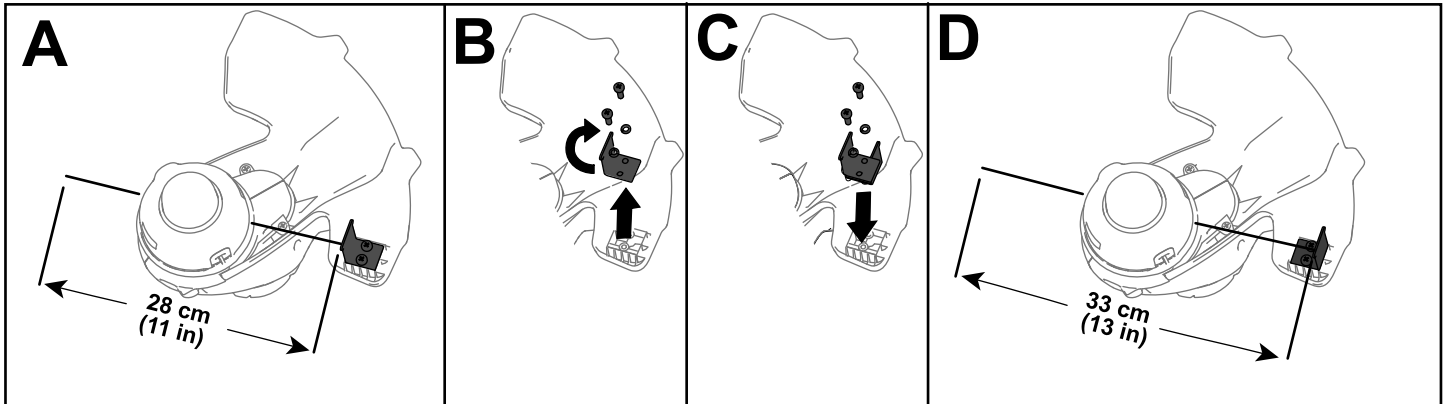


Figure 15

g333605

Operating Tips

- Keep the trimmer tilted toward the area being cut; this is the best cutting area.
- The string trimmer cuts when you move it from left to right. This prevents the trimmer from throwing debris at you.
- Use the tip of the string to do the cutting; do not force the string head into uncut grass.
- Wire and picket fences can cause the string to wear rapidly and even break. Stone and brick walls, curbs, and wood can also cause the string to wear rapidly.
- Avoid trees and shrubs. The string can easily damage tree bark, wood moldings, siding, and fence posts.

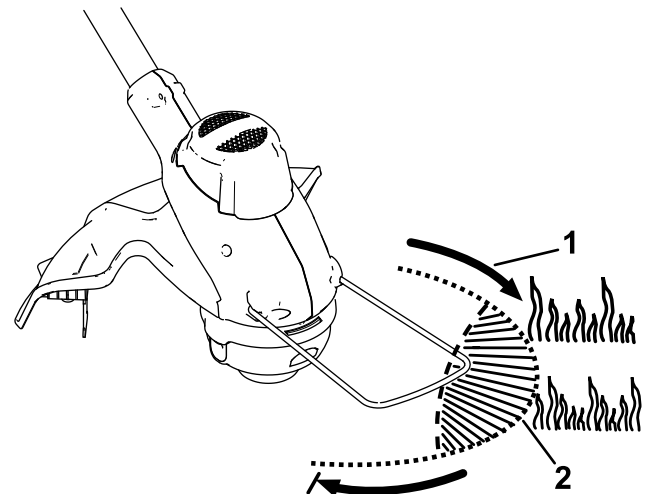


Figure 16

g333402

1. Direction of rotation
2. String path

Maintenance

After each use of the trimmer, complete the following:

1. Remove the battery from the trimmer.
2. Wipe the trimmer clean with a damp cloth. Do not hose the trimmer down or submerge it in water.

⚠ CAUTION

The line cutoff blade on the deflector is sharp and can cut you.

Do not use your hands to clean the deflector shield and blade.

3. Wipe or scrape clean the cutting head area any time there is an accumulation of debris.
4. Check and tighten all fasteners. If any part is damaged or lost, repair or replace it.
5. Brush debris away from air intake vents and exhaust on motor housing to prevent the motor from overheating.

Replacing the String

Important: Use only 2 mm (0.080 inch) monofilament string (Toro Part No. 88201).

1. Remove the battery pack and clean any debris from the trimmer head.
2. Press the tabs simultaneously on the side of the trimmer head and remove cover and spool (Figure 17).

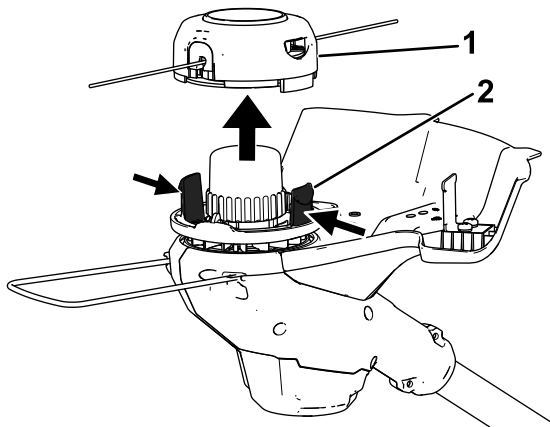


Figure 17

g333516

1. Cover and spool
2. Cover tabs

3. Remove the spool from the cover and remove any remaining string from the spool.
4. Cut 1 piece of 2 mm (0.080 inch) string to approximately 3 m (10 ft).

Important: Do not use any other gauge or type of string, as this could damage the trimmer.

5. Bend the new string at the midpoint and insert the bend into the starter slot in the center rim of the spool (Figure 18).

Note: Ensure that the line snaps into position in the slot.

6. Wrap the 2 halves of the string evenly and firmly around the spool as shown in Figure 18.

Note: Ensure that the string is wrapped counterclockwise around the spool when looking at the bottom of the spool.

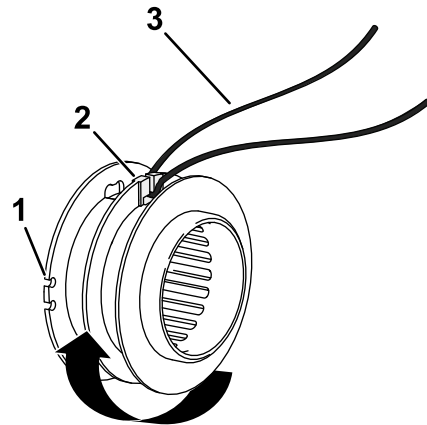


Figure 18

g330440

1. New string
2. Guide slot for string end (once fully wound)
3. Center rim spool starter slot

7. Wind the string, leaving just enough extending from the spool to contact the swath blade, and snap the ends into the guide slots on the spool (Figure 18).
8. Install the spool into the cover and route the ends of the string through the holes in the cover as shown in Figure 19.

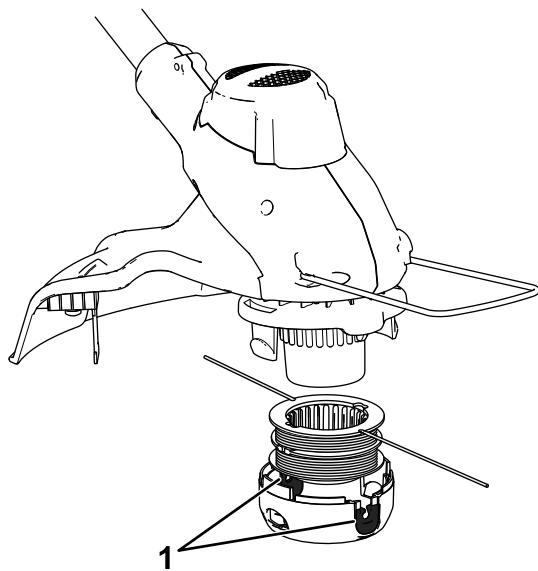


Figure 19

g333517

1. String exit holes

9. Install the spool and cover assembly to the trimmer head, push until the cover tabs snap into place.

Storage

Important: Store the tool, battery pack, and charger only in temperatures that are within the appropriate range; refer to [Specifications \(page 12\)](#).

Important: If you are storing the battery pack for the off-season, remove the battery pack from the tool and charge the battery pack until 2 or 3 LED indicators turn green on the battery. Do not store a fully charged or fully depleted battery. When you are ready to use the tool again, charge the battery pack until the left indicator light turns green on the charger or all 4 LED indicators turn green on the battery.

- Disconnect the product from the power supply (i.e., remove the plug from the power supply or the battery pack) and check for damage after use.
- Do not store the tool with the battery pack installed.
- Clean all foreign material from the product.
- When not in use, store the tool, battery pack, and battery charger out of the reach of children.
- Keep the tool, battery pack, and battery charger away from corrosive agents, such as garden chemicals and de-icing salts.
- To reduce the risk of serious personal injury, do not store the battery pack outside or in vehicles.
- Store the tool, battery pack, and battery charger in an enclosed clean, dry area.

Preparing the Battery Pack for Recycling

Important: Upon removal, cover the terminals of the battery pack with heavy-duty adhesive tape. Do not attempt to destroy or disassemble the battery pack or remove any of its components.



Lithium-ion battery packs labeled with the Call2Recycle seal can be recycled at any participating retailer or battery recycling facility in the Call2Recycle program (US and Canada only). To locate a participating retailer or facility closest to you, please call 1-800-822-8837 or visit www.call2recycle.org. If you cannot locate a participating retailer or facility nearby, or if your rechargeable battery is not labeled with the Call2Recycle seal, please contact your local municipality for more information on how to responsibly recycle the battery. If you are located outside of the US and Canada, please contact your authorized Toro distributor.

Troubleshooting

Perform only the steps described in these instructions. All further inspection, maintenance, and repair work must be performed by an authorized service center or a similarly qualified specialist if you cannot solve the problem yourself.

Always remove the battery from the tool when troubleshooting, inspecting, maintaining, or cleaning the tool.

Problem	Possible Cause	Corrective Action
The tool does not run or does not run continuously.	<ol style="list-style-type: none"> 1. The battery is not fully installed in the tool. 2. The battery pack is not charged. 3. The battery pack is over or under the appropriate temperature range. 4. There is moisture on the leads of the battery pack. 5. The battery pack is damaged. 6. There is another electrical problem with the tool. 	<ol style="list-style-type: none"> 1. Remove and then replace the battery into the tool, making sure that it is fully installed and latched. 2. Remove the battery pack from the tool and charge it. 3. Move the battery pack to a place where it is dry and the temperature is between 5°C (41°F) and 40°C (104°F). 4. Allow the battery pack to dry or wipe it dry. 5. Replace the battery pack. 6. Contact an Authorized Service Dealer.
The tool does not reach full power or the motor housing is getting hot.	<ol style="list-style-type: none"> 1. The battery pack charge capacity is too low. 2. The air vents are blocked. 	<ol style="list-style-type: none"> 1. Remove the battery pack from the tool and fully charge the battery pack. 2. Clean the air vents.
The tool is producing excessive vibration or noise.	<ol style="list-style-type: none"> 1. There is debris under the grass shield or in the bump head housing on the trimmer. 2. The spool is not properly wound. 	<ol style="list-style-type: none"> 1. Clean any debris from under the grass shield or in the bump head housing. 2. Advance the line using the bump head and/or remove the line on the spool and wind the spool again.
The bump head does not advance the line.	<ol style="list-style-type: none"> 1. The trimmer is out of line. 2. The line is tangled in the bump head housing. 3. There is debris under the grass shield or in the bump head housing on the trimmer. 	<ol style="list-style-type: none"> 1. Add more line to the bump head. 2. Remove the bump head cover and untangle the line. 3. Clean any debris from under the grass shield or in the bump head housing.
The battery pack loses charge quickly.	<ol style="list-style-type: none"> 1. The battery pack is over or under the appropriate temperature range. 2. The trimmer is overloaded. 	<ol style="list-style-type: none"> 1. Move the battery pack to a place where it is dry and the temperature is between 5°C (41°F) and 40°C (104°F). 2. Trim at a slower pace.
The battery charger is not working.	<ol style="list-style-type: none"> 1. The battery charger is over or under the appropriate temperature range. 2. The outlet that the battery charger is plugged into does not have power. 	<ol style="list-style-type: none"> 1. Unplug the battery charger and move it to a place where it is dry and the temperature is between 5°C (41°F) and 40°C (104°F). 2. Contact your licensed electrician to repair the outlet.
The LED indicator light on the battery charger is red.	<ol style="list-style-type: none"> 1. The battery charger and/or battery pack is over or under the appropriate temperature range. 	<ol style="list-style-type: none"> 1. Unplug the battery charger and move the battery charger and battery pack to a place where it is dry and the temperature is between 5°C (41°F) and 40°C (104°F).

Problem	Possible Cause	Corrective Action
<p>The LED indicator light on the battery charger is blinking red.</p>	<ol style="list-style-type: none"> 1. There is an error in the communication between the battery pack and the charger. 2. The battery pack is weak. 	<ol style="list-style-type: none"> 1. Remove the battery pack from the battery charger, unplug the battery charger from the outlet, and wait 10 seconds. Plug the battery charger into the outlet again and place the battery pack on the battery charger. If the LED indicator light on the battery charger is still blinking red, repeat this procedure again. If the LED indicator light on the battery charger is still blinking red after 2 attempts, properly dispose of the battery pack at a battery recycling facility. 2. Properly dispose of the battery pack at a battery recycling facility.

Notes:

Notes:

California Proposition 65 Warning Information

What is this warning?

You may see a product for sale that has a warning label like the following:



WARNING: Cancer and Reproductive Harm—www.p65Warnings.ca.gov.

What is Prop 65?

Prop 65 applies to any company operating in California, selling products in California, or manufacturing products that may be sold in or brought into California. It mandates that the Governor of California maintain and publish a list of chemicals known to cause cancer, birth defects, and/or other reproductive harm. The list, which is updated annually, includes hundreds of chemicals found in many everyday items. The purpose of Prop 65 is to inform the public about exposure to these chemicals.

Prop 65 does not ban the sale of products containing these chemicals but instead requires warnings on any product, product packaging, or literature with the product. Moreover, a Prop 65 warning does not mean that a product is in violation of any product safety standards or requirements. In fact, the California government has clarified that a Prop 65 warning "is not the same as a regulatory decision that a product is 'safe' or 'unsafe.'" Many of these chemicals have been used in everyday products for years without documented harm. For more information, go to <https://oag.ca.gov/prop65/faqs-view-all>.

A Prop 65 warning means that a company has either (1) evaluated the exposure and has concluded that it exceeds the "no significant risk level"; or (2) has chosen to provide a warning based on its understanding about the presence of a listed chemical without attempting to evaluate the exposure.

Does this law apply everywhere?

Prop 65 warnings are required under California law only. These warnings are seen throughout California in a wide range of settings, including but not limited to restaurants, grocery stores, hotels, schools, and hospitals, and on a wide variety of products. Additionally, some online and mail order retailers provide Prop 65 warnings on their websites or in catalogs.

How do the California warnings compare to federal limits?

Prop 65 standards are often more stringent than federal and international standards. There are various substances that require a Prop 65 warning at levels that are far lower than federal action limits. For example, the Prop 65 standard for warnings for lead is 0.5 µg/day, which is well below the federal and international standards.

Why don't all similar products carry the warning?

- Products sold in California require Prop 65 labelling while similar products sold elsewhere do not.
- A company involved in a Prop 65 lawsuit reaching a settlement may be required to use Prop 65 warnings for its products, but other companies making similar products may have no such requirement.
- The enforcement of Prop 65 is inconsistent.
- Companies may elect not to provide warnings because they conclude that they are not required to do so under Prop 65; a lack of warnings for a product does not mean that the product is free of listed chemicals at similar levels.

Why does Toro include this warning?

Toro has chosen to provide consumers with as much information as possible so that they can make informed decisions about the products they buy and use. Toro provides warnings in certain cases based on its knowledge of the presence of one or more listed chemicals without evaluating the level of exposure, as not all the listed chemicals provide exposure limit requirements. While the exposure from Toro products may be negligible or well within the "no significant risk" range, out of an abundance of caution, Toro has elected to provide the Prop 65 warnings. Moreover, if Toro does not provide these warnings, it could be sued by the State of California or by private parties seeking to enforce Prop 65 and subject to substantial penalties.



Count on it.