

# MONOGRAM 30" INTEGRATED REFRIGERATOR

ZIR301NBRII



## FULLY INTEGRATED COLUMN DESIGN

With concealed hinge offers a look of seamless perfection that installs flush with surrounding cabinetry

## STATEMENT AND MINIMALIST COLLECTION REFRIGERATOR HANDLES (SOLD SEPARATELY)

Designed to enhance choice and customization, Statement and Minimalist Collection refrigerators do not come with handles. Handles must be chosen separately and ordered through a Monogram representative

## PANEL-READY EXTERIOR WITH SIX-WAY ADJUSTABILITY

Accepts Statement or Minimalist Collection stainless steel panels ordered separately from Monogram or custom panel & handle from your cabinet maker

## RETROFIT CAPABILITY

Allows you to replace a 48" built-in side-by-side refrigerator with two column refrigerators with no cabinet or electrical modifications

## RAMP-UP LED INTERIOR LIGHTING

Throughout the fresh food compartment accentuates the sophisticated interior and allows easy viewing of contents

## REMOTE CONNECTIVITY VIA WIFI

Allows you to wirelessly control refrigerator settings from your smartphone, using an available app

## ADJUSTABLE, EDGE-TO-EDGE GLASS SHELVES

Provide convenient storage and a clean appearance

## FINELY CRAFTED, ADJUSTABLE DOOR BINS WITH CLEAR FRONTS

Offer easy access to beverages and quick-grab items

## UPFRONT, ELECTRONIC-TOUCH CONTROLS

Make it easy to adjust climate settings to create ideal food storage conditions

## TEMPERATURE-CONTROLLED DRAWER

Offers added storage flexibility with pre-programmed settings for meat, beverage, and deli

## SOFT-CLOSE DRAWERS

Use an innovative sliding mechanism to help the drawers close gently and completely

## HUMIDITY-CONTROLLED VEGETABLE DRAWER

Helps preserve the freshness of foods

## DEDICATED EVAPORATOR SEALED SYSTEM

Helps maintain a precise temperature throughout the fresh food compartment

## SABBATH MODE

Designed to disable functions in accordance with Sabbath-observing practices



### SPECIFICATIONS

Overall Width	29 9/16" (75.1 cm)
Overall Height	83 1/2" (212.1 cm)
Overall Depth	24 3/4" (62.9 cm)
Door Clearance at 90°	33 3/8" (84.8 cm)
Cutout Width	29 13/16" (75.7 cm)
Cutout Height	84" (213.4 cm)
Cutout Depth	25" (63.5 cm)
Plumbing Requirements	GE SmartConnect kit
Net Weight (approx)	495 lb (224.5 kg)

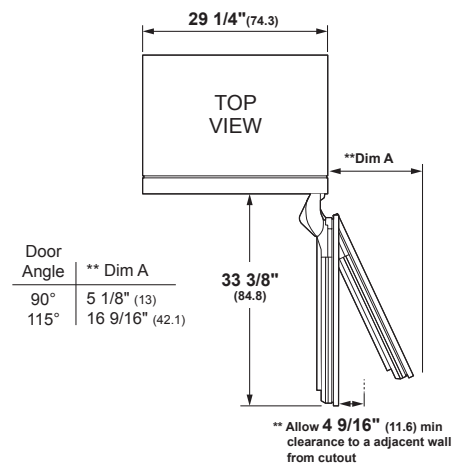
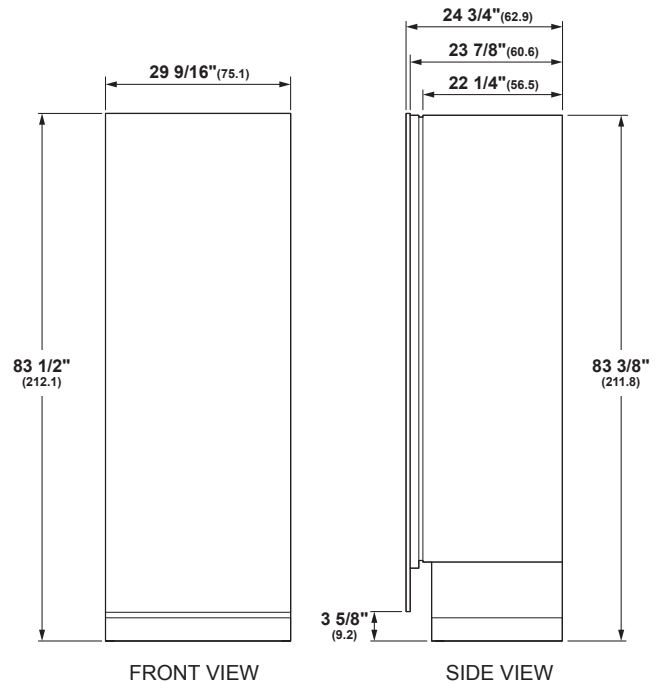
### ATTENTION ELECTRICIAN:

A 115 volt 60Hz, 15 or 20 amp power supply is required. An individual properly grounded branch circuit or circuit breaker is recommended. For multiple unit installation, each unit requires separate individually properly grounded circuit or breaker and separate properly grounded 3-prong electrical receptacle recessed.

### ⚠️ WARNING:

When installing appliance, you must use and follow the product installation instructions. These can be found with unit or on web at monogram.com.

### OVERALL DIMENSIONS

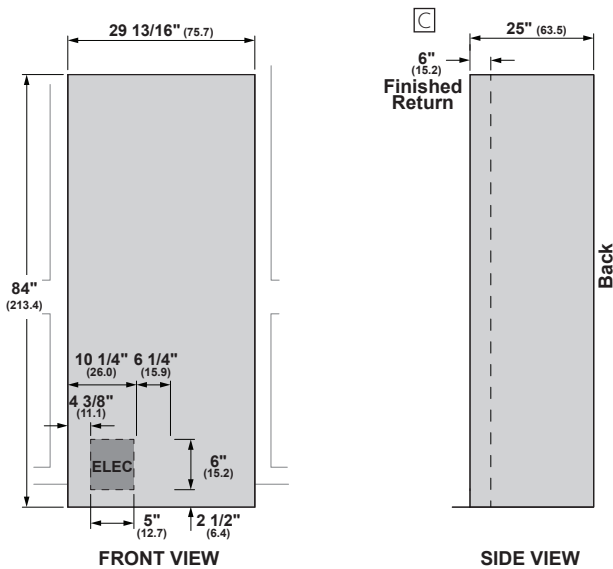


Door Angle	** Dim A
90°	5 1/8" (13)
115°	16 9/16" (42.1)

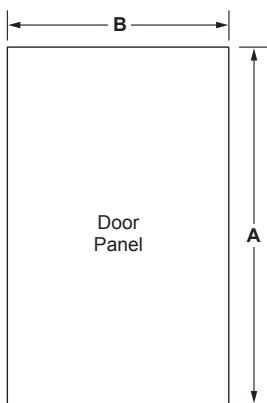
\*\* Dimensions based on handle height of 2 9/16" (6.5)

Dimensions in parentheses are in centimeters unless otherwise noted. Actual product dimensions may vary due to manufacturing tolerances.

### SINGLE INSTALLATION



### FLUSH 3/4" PANEL DIMENSIONS SINGLE INSTALLATION



### PANEL DIMENSIONS

A	B
79 7/8"	29 9/16"

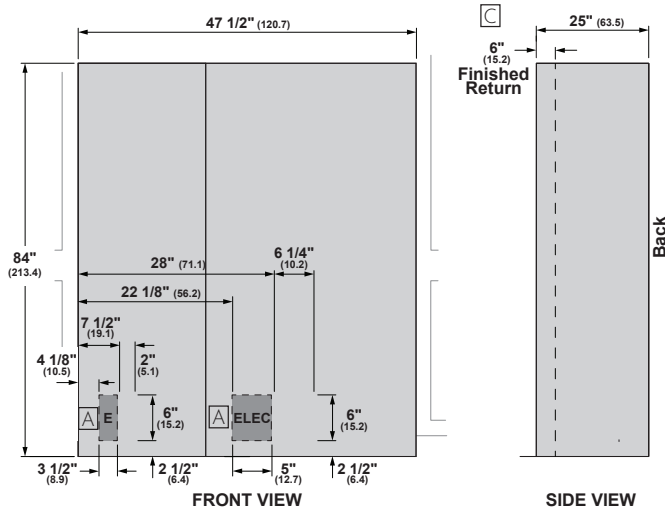
### INTEGRATED INSTALLATION

#### HELPFUL TIPS

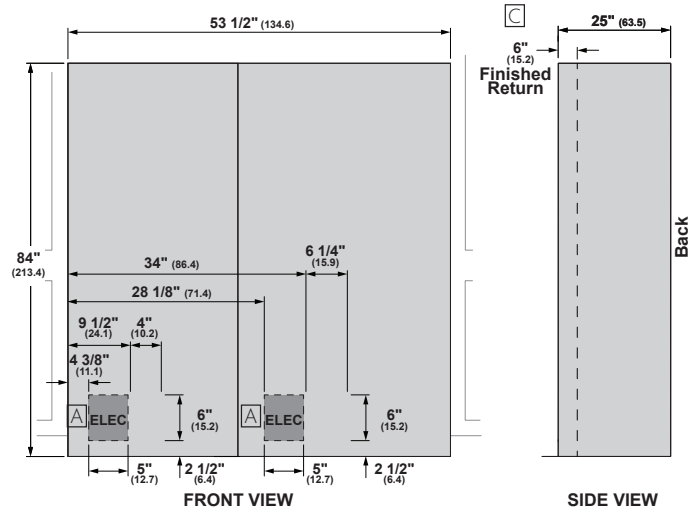
- C A minimum 6" (15.2) finished return matching cabinet exterior recommended on interior on all sides and top at front of opening
- Trimmed refrigerators are designed to be customized with decorative panels. Field-installed 3/4" custom door panels are required.
- Maximum total panel weight:  
30" door panel – 48 lbs.  
Note: For panels constructed with rails and stiles (5-panel), the rails and stiles must be a minimum of 2" wide.
- For Custom Panels: Use templates provided with units to pre-drill holes for mounting panel brackets (provided with unit). Adjustment screws and instructions also provided with units.
- Custom Panels require a custom handle from cabinet maker or the ZKPN kit is required to mount a Statement handle or Minimalist handle.
- Stainless steel handle and panel options:  
ZK1SN309NLH: Left-hand 30" stainless steel door panel  
ZK1SN304NRH: Right-hand 30" stainless steel door panel  
ZKSP1H1CNSS: Minimalist handle  
ZKSP1H1PNSS: Statement handle

**⚠ WARNING:**  
When installing appliance, you must use and follow the product installation instructions. These can be found with unit or on web at [monogram.com](http://monogram.com).  
This document is intended for cabinet and panel construction only.

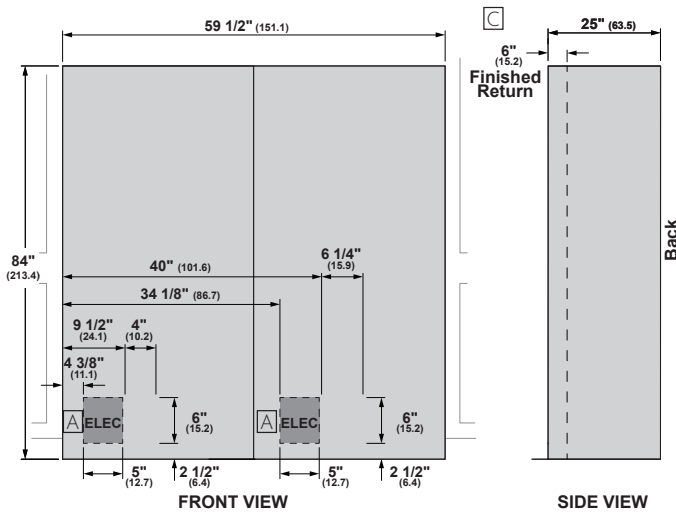
**DUAL INSTALLATION**  
**18" INTEGRATED FREEZER, ZIF181NBRII AND**  
**30" INTEGRATED REFRIGERATOR, ZIR301NBRII**



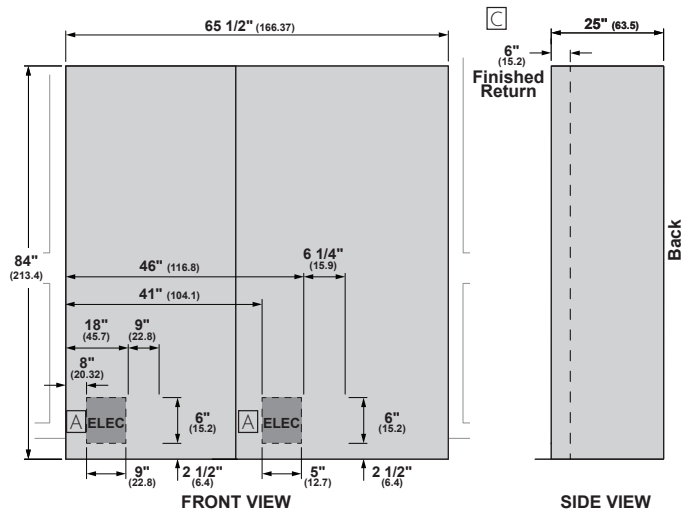
**DUAL INSTALLATION**  
**24" INTEGRATED FREEZER, ZIF241NBRII AND**  
**30" INTEGRATED REFRIGERATOR, ZIR301NBRII**



**DUAL INSTALLATION**  
**30" INTEGRATED FREEZER, ZIF301NBRII AND**  
**30" INTEGRATED REFRIGERATOR, ZIR301NBRII**



**DUAL INSTALLATION**  
**36" INTEGRATED FREEZER, ZIF361NBRII AND**  
**30" INTEGRATED REFRIGERATOR, ZIR301NBRII**



**INTEGRATED INSTALLATION**

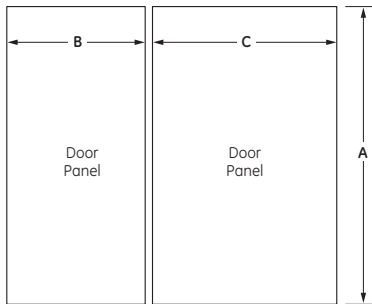
**HELPFUL TIPS**

**A** A separate 115V, 60Hz, 15- or 20-amp power supply is recommended for each product.

**B** Cutout based on installation of two products with a left-and-right-hand door swing.

**C** A minimum 6" (15.2) finished return matching cabinet exterior recommended on interior on all sides and top at front of opening.

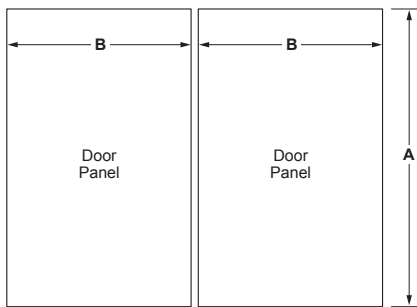
**FLUSH 3/4" PANEL DIMENSIONS DUAL  
INSTALLATION WITH 18" FREEZER, ZIF181NBRII  
AND 30" REFRIGERATOR, ZIR301NBRII**



**PANEL  
DIMENSIONS**

A	B	C
79 7/8"	17 9/16"	29 9/16"

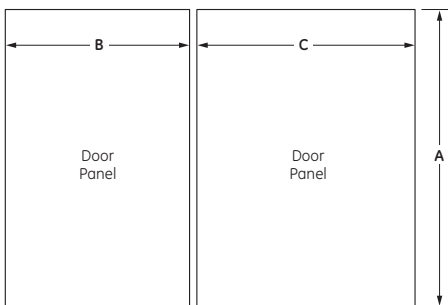
**FLUSH 3/4" PANEL DIMENSIONS DUAL  
INSTALLATION WITH 30" FREEZER, ZIF301NBRII  
AND 30" REFRIGERATOR, ZIR301NBRII**



**PANEL  
DIMENSIONS**

A	B
79 7/8"	29 9/16"

**FLUSH 3/4" PANEL DIMENSIONS DUAL  
INSTALLATION WITH 24" FREEZER, ZIF241NBRII  
AND 30" REFRIGERATOR, ZIR301NBRII**



**PANEL  
DIMENSIONS**

A	B	C
79 7/8"	23 9/16"	29 9/16"

**INTEGRATED INSTALLATION**

**HELPFUL TIPS**

Trimmed refrigerators are designed to be customized with decorative panels. Field-installed 3/4" custom door panels are required.

Maximum total panel weight:

18" & 24" door panel – 45 lbs

30" door panel – 48 lbs

36" door panel – 58 lbs

Note: For panels constructed with rails and stiles (5-panel), the rails and stiles must be a minimum of 2" wide.

For Custom Panels: Use templates provided with units to pre-drill holes for mounting panel brackets (provided with unit). Adjustment screws and instructions also provided with units.

Requires custom handle from cabinet maker.

Stainless steel handle and panel options:

ZK1SN189NLH: Left-hand 18" stainless steel door panel

ZK1SN184NRH: Right-hand 18" stainless steel door panel

ZK1SN249NLH: Left-hand 24" stainless steel door panel

ZK1SN244NRH: Right-hand 24" stainless steel door panel

ZK1SN309NLH: Left-hand 30" stainless steel door panel

ZK1SN304NRH: Right-hand 30" stainless steel door panel

ZKK1SN369RLH: Left-hand 36" stainless steel door panel

ZKK1SN364RRH: Right-hand 36" stainless steel door panel

ZKSP1H1CNSS: Minimalist handle for stainless steel panels only

ZKSP1H1PNSS: Statement handle for stainless steel panels only

Dual installation full width toekick options:

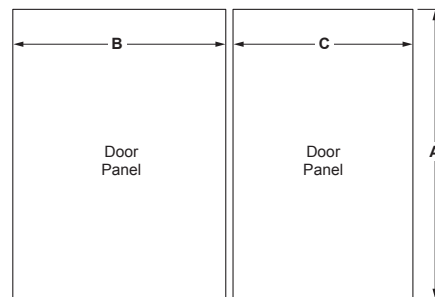
ZKK48P: 48" stainless toekick

ZKK54P: 54" stainless toekick

ZKK60P: 60" stainless toekick

ZKK66P: 66" Stainless Steel toekick

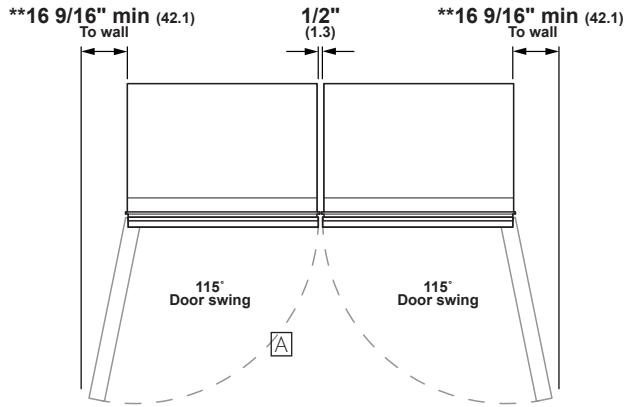
**FLUSH 3/4" PANEL DIMENSIONS DUAL  
INSTALLATION WITH 36" FREEZER, ZIF361NBRII  
AND 30" REFRIGERATOR, ZIR301NBRII**



**PANEL  
DIMENSIONS**

A	B	C
79 7/8"	35 9/16"	29 9/16"

## DUAL PRODUCT CLEARANCES



\*\* Dimensions based on handle height of 2 9/16" (6.5)

## INTEGRATED INSTALLATION

### HELPFUL TIPS

- A In a side-by-side installation of a left-and-right-hand door swing product, 1/2" clearance between the units is required. Also required is Side-by-Side Heater/Dual Installation Kit, ZKUN