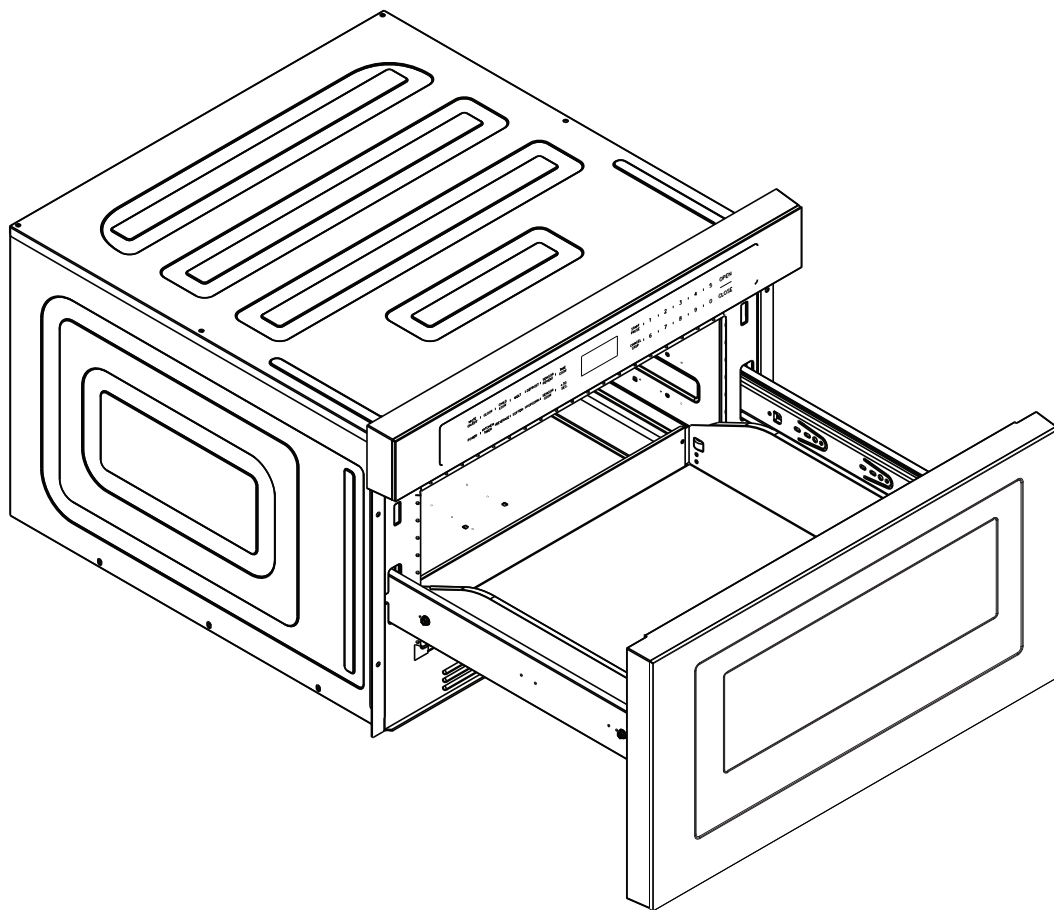


MWD2401AS

Microwave Drawer

EN Use, Care, and Installation Guide

FR Guide d'utilisation, d'entretien et d'installation



	Page
Safety Information	4-10
Introduction	11
List of Materials	12
Product Specifications	13-14
Product Summary	13
Parts Identification	13
Dimensions	14
Installation Instructions	15-19
Installation Clearance Requirements	15
Standard Installation	16
Flush Mount Installation.....	17-18
Grounding Instructions.....	18
Anti-Tip Block.....	19
Electrical Outlet.....	19
Operating Your Appliance	20-26
Using the Control Panel.....	20-21
Cooking, Defrosting, and Auto Features	22-24
Sensor Feature	25-26
Other Features	26
Care and Maintenance	27-29
Safe to Microwave Items	27
Unsafe to Microwave Items	28
Cleaning the Unit	29
Troubleshooting	30
Limited Warranty	31
Product Registration	32

Safety Information

Your safety and the safety of others are very important.



We have provided many important safety messages in this manual for your appliance. Always read and obey all safety messages.



This is the Safety Alert Symbol. This symbol alerts you to potential hazards that can cause severe bodily injury or death. All safety messages will follow the Safety Alert Symbol and either the words “DANGER” “WARNING” or “CAUTION”

 **DANGER** 

Danger means that failure to heed this safety statement may result in severe injury or death.

 **WARNING** 

Warning means that failure to heed this safety statement may result in extensive product damage, serious personal injury, or death.

 **CAUTION** 

Caution means that failure to heed this safety statement may result in minor or moderate personal injury, property or equipment damage.

For your safety, read all instructions carefully before operating the appliance.

PRECAUTIONS TO AVOID POSSIBLE EXPOSURE TO EXCESSIVE MICROWAVE ENERGY

- (a) **Do not attempt** to operate this oven with the door open since open door operation can result in harmful exposure to microwave energy. It is important to not defeat or tamper with safety interlocks.
- (b) **Do not place** any object between the oven front face and the door or allow soil or cleaner residue to accumulate on sealing surfaces.
- (c) **Do not operate** the oven if it is damaged. It is particularly important that the oven door close properly and that there is no damage to the:
 - (1) door (bent)
 - (2) hinges and latches (broken or loosened)
 - (3) door seals and sealing surfaces
- (d) **The oven should not** be adjusted or repaired by anyone except properly qualified service personnel.

GROUNDING INSTRUCTIONS

The appliance must be grounded. In the event of an electrical short circuit, grounding reduces the risk of electric shock by providing an escape wire for the electric current. This appliance is equipped with a cord having a grounding wire with a grounding plug. The plug must be plugged into an outlet that is properly installed and grounded.

Consult a qualified electrician or serviceman if the grounding instructions are not completely understood, or if doubt exists as to whether the appliance is properly grounded. If it is necessary to use an extension cord, use only a 3-wire extension cord that has a 3-blade grounded plug, and 3-slot receptacle that will accept the plug on the appliance. The marked rating of the extension cord shall be equal to or greater than the electrical rating of the appliance.

Safety Information

For your safety, read all instructions carefully before operating the appliance.



WARNING



Improper use of the grounding can result in a risk of electric shock. Do not plug into an outlet until the appliance is properly installed and grounded.



DANGER



Touching some of the internal components can cause serious personal injury or death. Do not disassemble this appliance.

1. A short power-supply cord is provided to reduce the risks resulting from becoming entangled in or tripping over a longer cord.
2. Longer cord sets or extension cords are available and may be used if care is exercised in their use.
3. If a long cord or extension cord is used:
 1. The marked electrical rating of the cord set or extension cord should be at least as great as the electrical rating of the appliance.
 2. The extension cord must be a grounding-type 3-wire cord.
 3. The longer cord should be arranged so that it will not drape over the counter top or tabletop where it can be pulled on by children or tripped over unintentionally.



WARNING



Prop. 65 Warning for California Residents: This product may contain chemicals known to the State of California to cause cancer, birth defects, or other reproductive harm.

For your safety, read all instructions carefully before operating the appliance.

GENERAL SAFETY



When using electrical appliances, basic safety precautions should be followed, including the following:

- ▶ Read all instructions before using the appliance.
- ▶ Read and follow the specific instructions, “PRECAUTIONS TO AVOID POSSIBLE EXPOSURE TO EXCESSIVE MICROWAVE ENERGY”.
- ▶ Use this appliance only for its intended use as described in this manual. Do not use corrosive chemicals or vapors in this appliance. This microwave oven is specifically designed to heat, dry, or cook food, and is not intended for laboratory or industrial use.
- ▶ This appliance should be serviced only by qualified service personnel. Contact nearest authorized service facility for examination, repair, or adjustment.

INSTALLATION

- ▶ Install or locate this appliance only in accordance with the provided installation instructions.
- ▶ This appliance must be grounded. Connect only to properly grounded outlets. See “GROUNDING INSTRUCTIONS”.
- ▶ Do not operate this appliance if it has a damaged power cord or plug, if it is not working properly, or if it has been damaged or dropped.
- ▶ Keep power cord away from heated surfaces.
- ▶ Do not immerse power cord or plug in water.
- ▶ Do not cover or block any openings on the appliance.
- ▶ Do not store this appliance outdoors. Do not use this product near water - for example, near a kitchen sink, in a wet basement, near a swimming pool, or similar location.
- ▶ Do not let power cord hang over edge of the table or counter.

Safety Information

For your safety, read all instructions carefully before operating the appliance.

GENERAL SAFETY

- ▶ Do not mount unit over or near any portion of heating or cooking appliance.
- ▶ Do not mount over a sink.

TO REDUCE THE RISK OF FIRE IN THE CAVITY

- ▶ Do not overcook food. Carefully attend appliance when paper, plastic, or other combustible materials are placed inside the oven to facilitate cooking.
- ▶ Remove the wire twist-ties from paper or plastic containers before placing them in the oven.
- ▶ If materials inside the oven ignite, keep the oven door closed, turn the oven off, and disconnect the power cord, or shut off power at the fuse or circuit breaker panel.
- ▶ Do not store any materials in the oven when not in use. Do not leave paper products, cooking utensils, or food in the cavity when not in use. All racks should be removed from the oven when not in use.
- ▶ Do not operate the microwave feature without food in the oven.

TO REDUCE THE RISK OF BURNS

- ▶ Be careful when opening containers of hot food. Use pot holders and direct steam away from face and hands.
- ▶ Vent, pierce, or slit containers, pouches or plastic bags to prevent build-up of pressure.
- ▶ **HOT CONTENTS CAN CAUSE SEVERE BURNS. DO NOT ALLOW CHILDREN TO USE THE MICROWAVE.**
- ▶ Use caution when removing hot items.

For your safety, read all instructions carefully before operating the appliance.

GENERAL SAFETY

OPERATING

- ▶ As with any appliance, close supervision is necessary when used by children.
- ▶ Make sure all cookware is used in your microwave oven is suitable for microwaving. Most glass casseroles, cooking dishes, measuring cups, custard cups, pottery or china dinnerware which does not have metallic trim or glaze with a metallic sheen can be used in compliance with cookware manufacturers' recommendations.
- ▶ Do not store anything directly on top of the microwave surface when the microwave is in operation.
- ▶ Some products such as whole eggs and sealed containers - for example, closed jars - are able to explode and should not be heated in the microwave oven.
- ▶ Do not overcook potatoes. They could dehydrate and catch fire.
- ▶ Do not cover any other part of the oven with metal foil. This will cause overheating of the oven.
- ▶ Cook meat and poultry thoroughly - meat to at least an internal temperature of 160°F and poultry to at least an internal temperature of 180°F. Cooking to these temperatures usually protects against foodborne illness.
- ▶ This oven is not approved or tested for marine use.
- ▶ Do not operate any heating or cooking appliance beneath the appliance.

CLEANING

- ▶ Keep the oven free from grease buildup
- ▶ Do not clean with metal scouring pads. Pieces can burn off the pad and touch electrical parts involving risk of electric shock.
- ▶ While cleaning surfaces of door and oven that comes together on closing the door, use only mild nonabrasive soaps, or detergent applied with a sponge or soft cloth.

Safety Information

For your safety, read all instructions carefully before operating the appliance.

GENERAL SAFETY

SUPER HEATED WATER

- ▶ Liquids, such as water, coffee, or tea, are able to be overheated beyond the boiling point without appearing to be boiling. Visible bubbling or boiling when the container is removed from the microwave oven is not always present. THIS COULD RESULT IN VERY HOT LIQUID SUDDENLY BOILING OVER WHEN THE CONTAINER IS DISTURBED OR A UTENSIL IS INSERTED INTO THE LIQUID.
- ▶ To reduce the risk of injury to persons:
 1. Do not overheat the liquid.
 2. Stir the liquid both before and halfway through heating it.
 3. Do not use straight-sided containers with narrow necks.
 4. After heating, allow the container to stand in the microwave oven for short time before removing the container.
 5. Use extreme care when inserting a spoon or other utensil into the container.

RADIO INTERFERENCE

- ▶ Operation of the microwave oven may cause interference to your radio, TV or similar equipment.
- ▶ When there is interference, it may be reduced or eliminated by taking the following measures:
 1. Clean door and sealing surface of the oven.
 2. Reorient the receiving antenna of radio or television.
 3. Relocate the microwave oven with respect to the receiver.
 4. Move the microwave oven away from the receiver.
 5. Plug the microwave oven into a different outlet so that the microwave oven and receiver are on different branch circuits.

This device complies with part 18 of the FCC Rules. (Only for USA)

SAVE THESE INSTRUCTIONS

If you are experiencing problems, check the Troubleshooting Guide at the back of this manual. It lists causes of minor operating problems that you can correct yourself.

Thank you for purchasing your Zephyr microwave drawer. Zephyr is dedicated to developing products that will enhance your lifestyle with superior quality and distinctive features. Please visit www.zephyronline.com for more information on your product and other Zephyr products.

This manual contains important information regarding the proper installation, use, and maintenance of your microwave drawer. Following this manual will ensure that your product will work at its peak performance and efficiency.

For Your Records

Please write down the model number and serial number below for future reference. Both numbers are located on the rating label on the back of your unit and inside the unit towards the bottom of the cabinet and are needed to obtain warranty service. You may also want to staple your receipt to this manual as it is the proof of your purchase and may also be needed for service under warranty.

Model Number:

Serial Number:

Date of Purchase:

To better serve you, please do the following before contacting customer service:

If you received a damaged product, immediately contact the retailer or dealer that sold you the product.

- ▶ Read and follow this instruction manual carefully to help you install, use and maintain your microwave drawer.
- ▶ Read the troubleshooting section of this manual as it will help you diagnose and solve common issues.
- ▶ Visit us on the web at <http://www.zephyronline.com> to download product guides, additional troubleshooting resources and up-to-date information.
- ▶ If you need warranty service, our friendly customer service representatives are available on our website at <http://zephyronline.com/contact>.

List of Materials

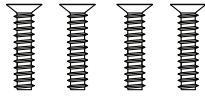
BUILT-IN

MICROWAVE

DRAWER

Quantity

Part



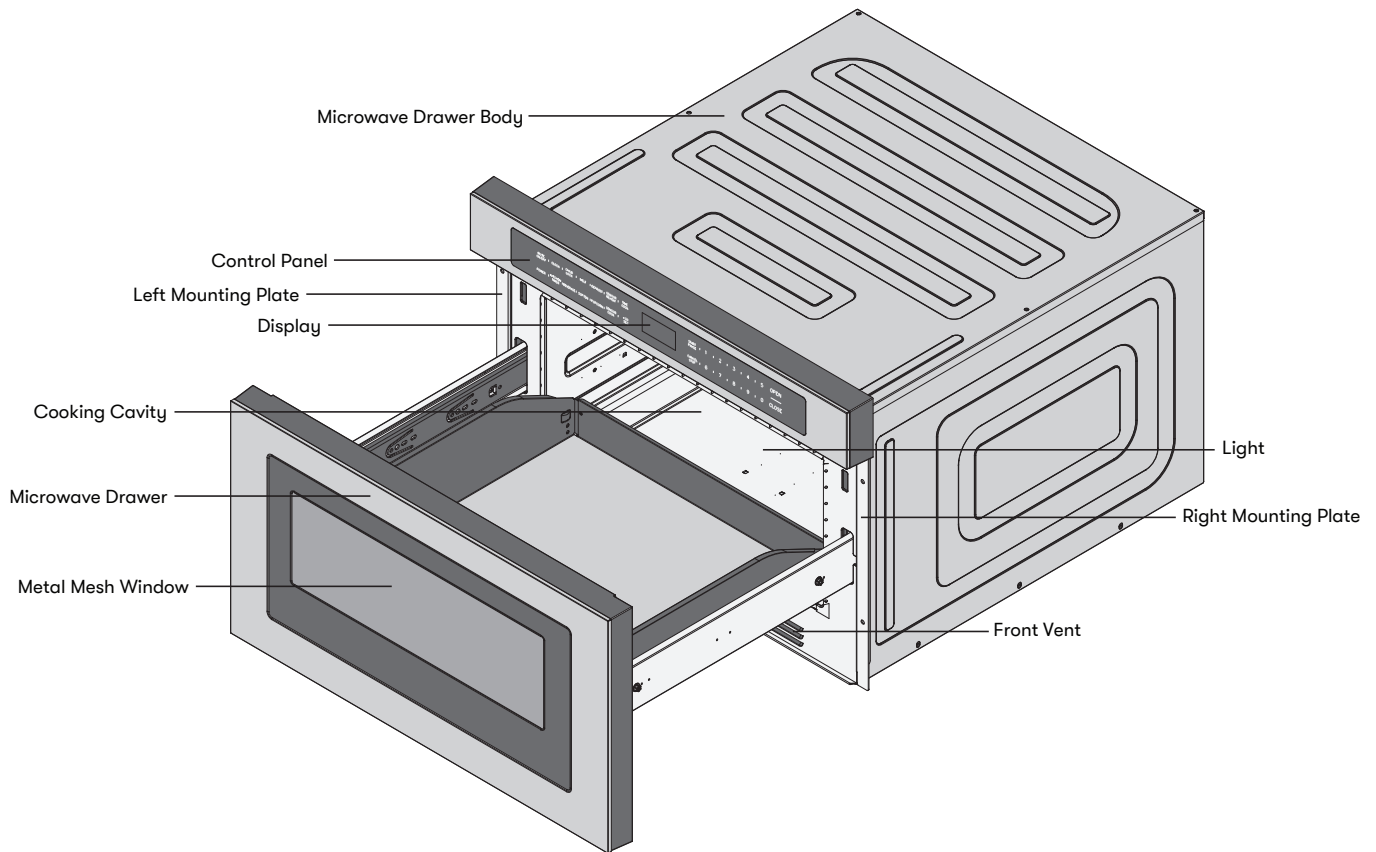
M4*16-F Philip countersunk
head screws

Product Summary

This appliance requires a standard 120 VAC, 60Hz electrical ground outlet.

DESCRIPTION OF PRODUCT	Microwave Drawer
NET WEIGHT (lbs)	69lbs
VOLTAGE/FREQUENCY	120VAC, 60Hz
AMPERAGE	15A
RATED INPUT	1500W
RATED OUTPUT	1000W
COLOR	Stainless Steel
STORAGE CAPACITY	1.2 cubic ft.
DIMENSIONS (HxWxD)	16-1/8" X 23-5/8" X 23-7/8"

Parts Identification



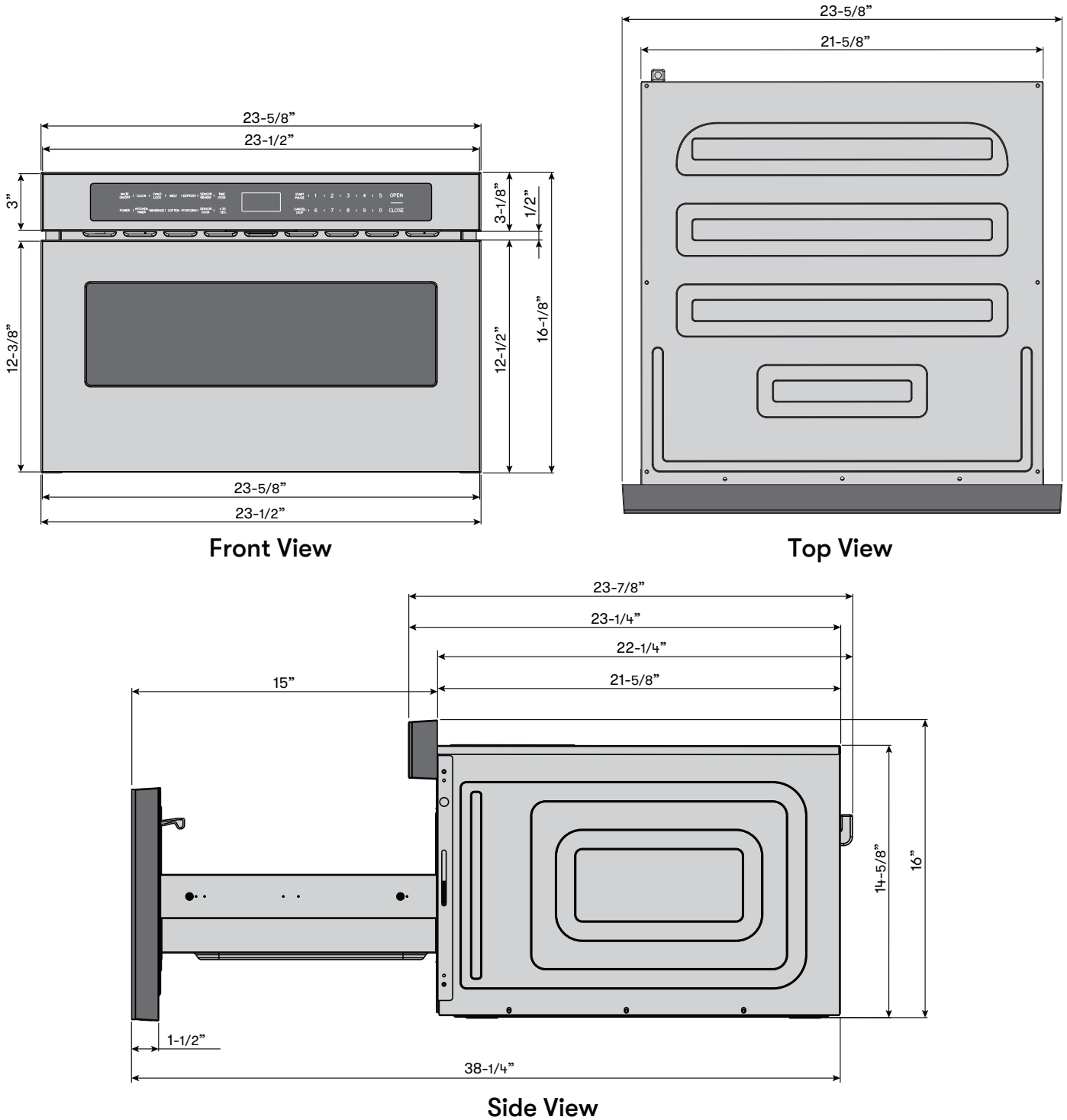
Product Specifications

BUILT-IN

MICROWAVE

DRAWER

Dimensions

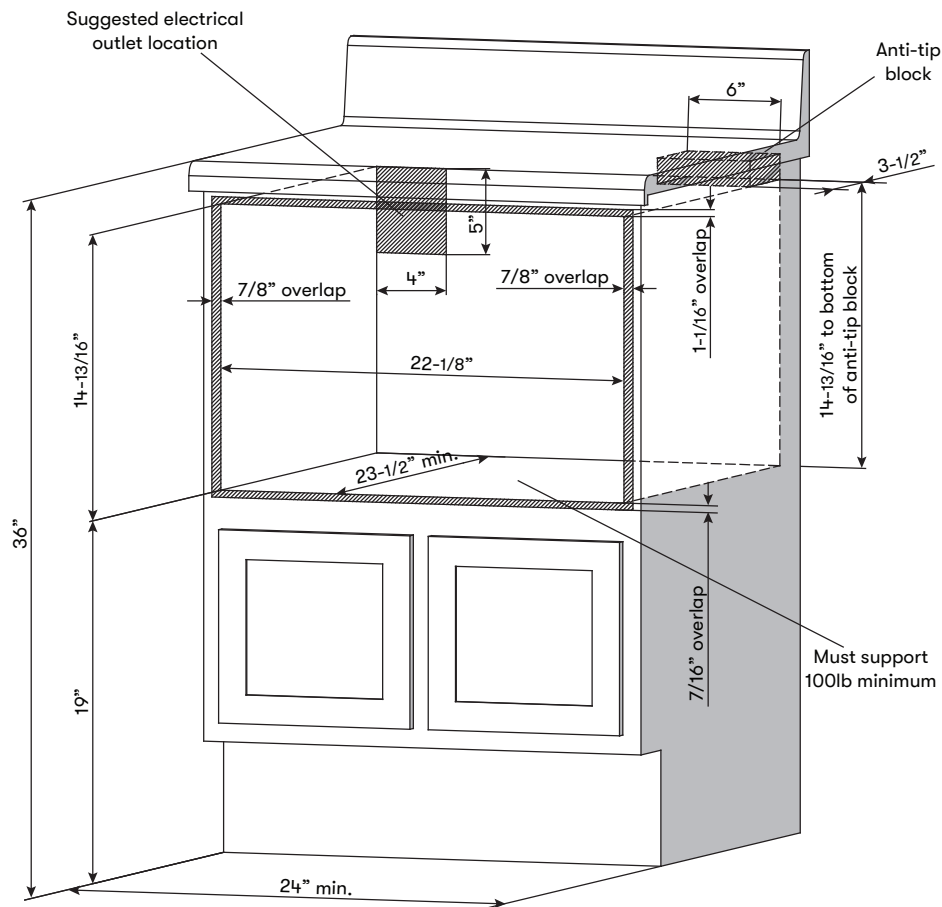


NOTE: Usable internal height is 7-1/8", and usable internal width and depth are 16-1/4". Usable internal measurements determine what contents can fit inside the microwave drawer for cooking.

Installation Clearance Requirements

When installing the microwave drawer into a counter, follow the recommended spacing dimensions shown. The given dimensions provide minimum clearance.

- ▶ The microwave drawer can be built into a cabinet, standalone wall, or under a gas or an electric wall oven where both standard installation and flush mount installation are available. Standard installation is a standing proud installation.
- ▶ Make sure the clearance of the floor between the wall oven and microwave drawer is a minimum of 2".
- ▶ The power supply cord is located on the back of the unit and has a length of 51-1/8" to accommodate multiple outlet locations, including installation to an adjacent cabinet. The power supply cord access hole should be a minimum 1-1/2" diameter hole and debarred of sharp edges.
- ▶ The contact surface must be solid and level. The floor of the opening should be constructed of plywood strong enough to support the weight of the oven (about 100lbs).
- ▶ This microwave drawer can be fully built-in to cabinetry and does not require any additional clearances besides what is referenced below.

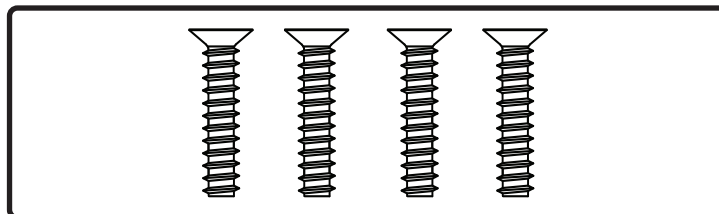
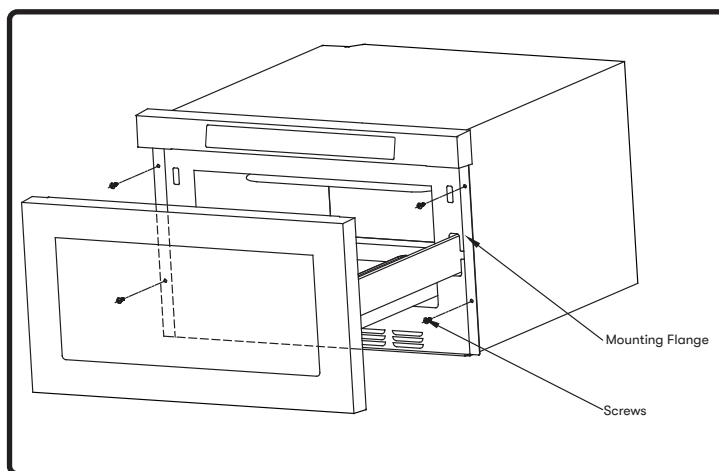


Installation Instructions

Standard Installation

Please carefully follow the instructions below to properly install the microwave drawer via standard installation. Standard installation will result in the door slightly protruding from the cabinet.

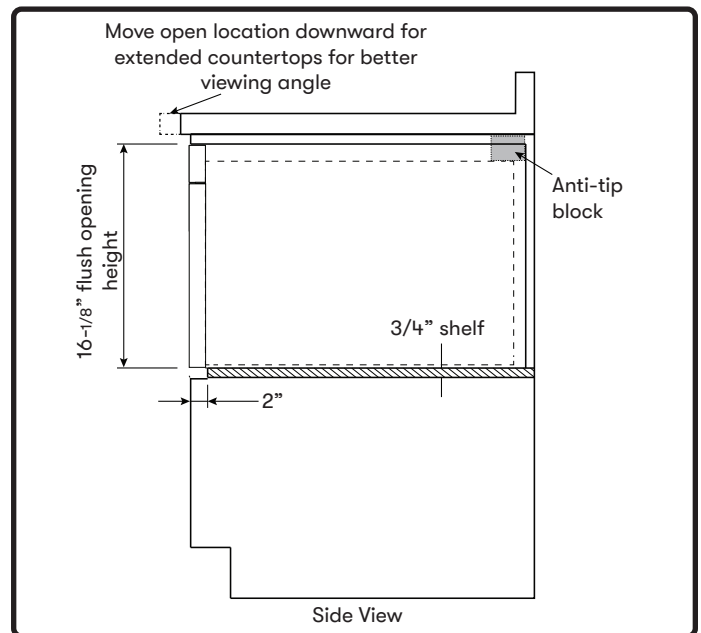
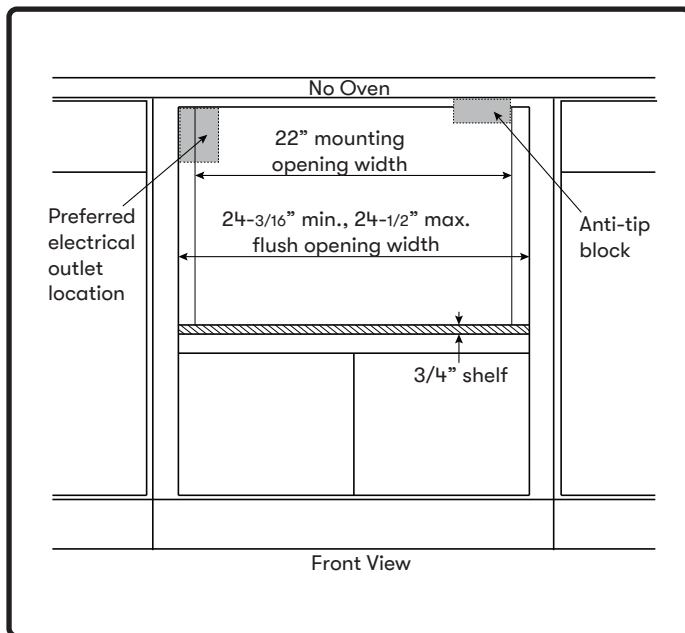
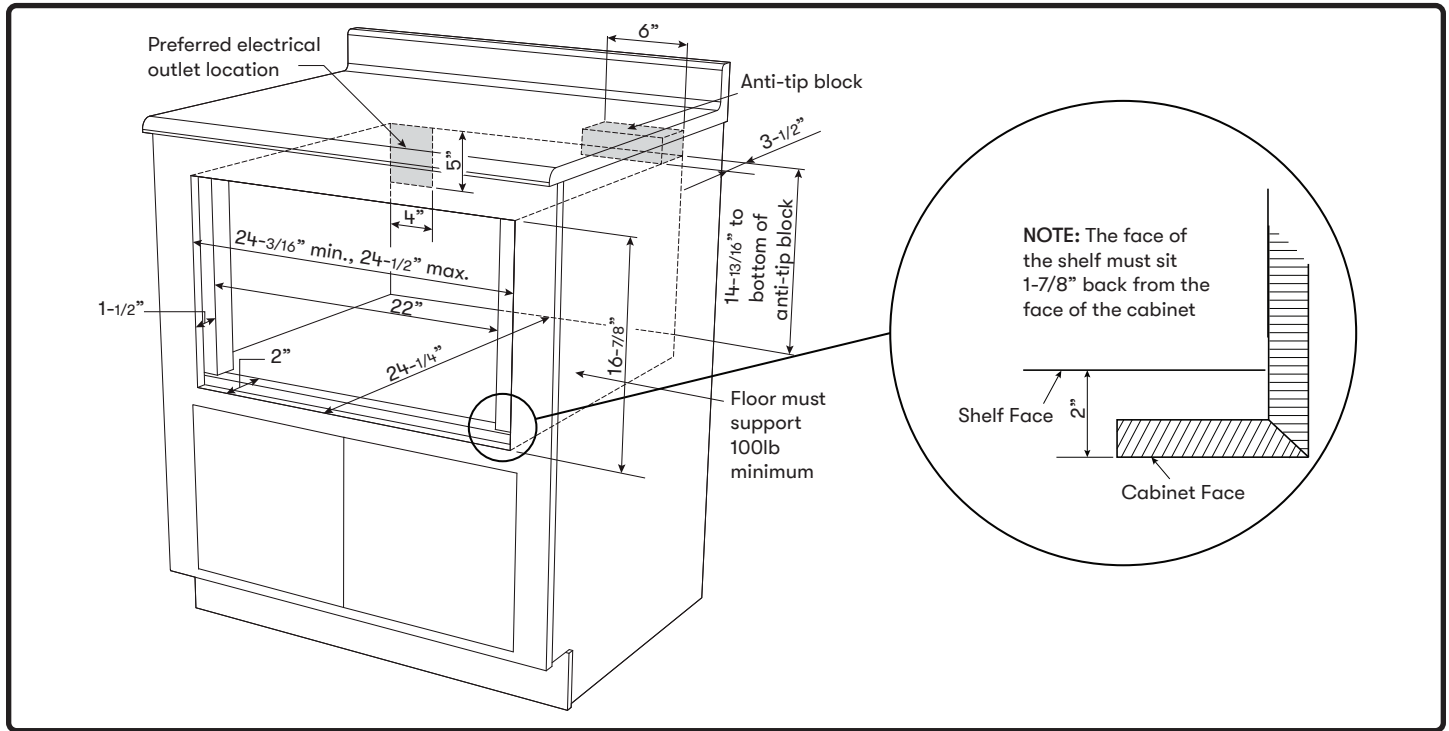
1. Place the microwave drawer adjacent to the wall or cabinet opening. Plug the power cable into the electrical outlet.
2. Carefully guide the microwave drawer into the prepared opening. Avoid pinching the power cable between the microwave drawer and the wall.
3. Slide the microwave drawer all the way until the mounting flange is flush with the face of the cabinet.
4. Open the microwave drawer. Using the 4 holes on the microwave drawer to guide in pre-drilling the cabinet using a 1/16" drill bit.
5. Secure the drawer with (4) M4*16-F Philip countersunk screws.



Flush Mount Installation

Please carefully follow the instructions below to properly install the microwave drawer flush to the cabinet.

1. Prepare the cabinet opening as shown below.



Installation Instructions

Flush Mount Installation

2. Place the microwave drawer adjacent to the wall or cabinet. Plug the power supply cord into the electrical outlet. The power supply cord can also be installed using an electrical outlet in an adjacent cabinet.
3. Loop (do not tie) a 36" string around the power supply cord before the drawer is slid into place. This string will keep the cord from falling behind the drawer.
4. Lift the microwave drawer into the cabinet cutout using the opening as grip. Carefully guide the microwave drawer into the prepared opening.
5. As the microwave drawer is slid back, pull the string so the cord will lie on top of the drawer in a natural loop and avoid pinching the cord between the drawer and the wall.
6. Once the cord is out the of way, slide the drawer 3/4 way back into the opening. Remove the string by pulling on one end of the loop.
7. Slide the microwave drawer all the way back until the mounting flanges is flush with the face of the cabinet
8. Open the microwave drawer. Use the 4 holes on the microwave drawer to guide in pre-drilling the cabinet using a 1/16" drill bit. Refer to image on page 16.
9. Secure the drawer with (4) M4*16-F Philip countersunk screws.

Grounding Instructions

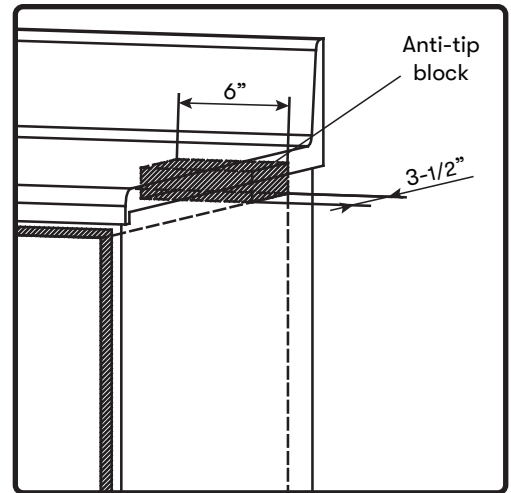
This appliance must be grounded. The microwave drawer is equipped with a cord having a grounding wire with a grounding plug. It must be plugged into a wall receptacle that is properly installed and grounded in accordance with the National Electrical Code and local codes and ordinances. In the event of an electrical short circuit, grounding reduces the risk of electric shock by providing an escape wire for the electric current.



Anti-Tip Block

To reduce the risk of tipping over the microwave drawer and causing serious injury, the anti-tip block must be properly installed. The anti-tip block must be installed 14-13/16" above the area where the microwave drawer will sit. When installed to the wall, make sure the screws completely penetrate the dry wall and are fully secured in either wood or metal so that the anti-tip block is completely stable.

NOTE: If the microwave drawer is ever moved to a different location, the anti-tip block must also be moved and reinstalled with it.



CAUTION

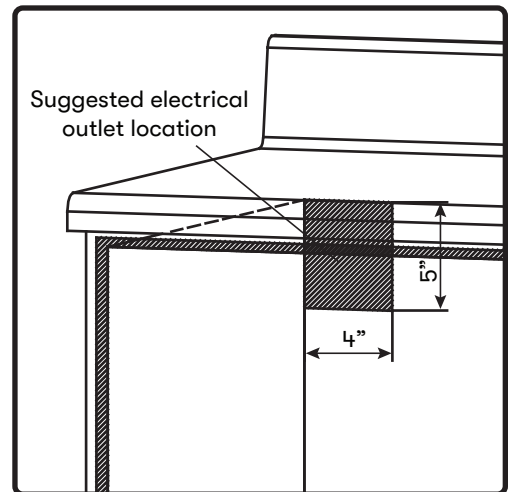
When fastening the anti-tip block, make sure the screws do not penetrate electrical wiring or plumbing.

Electrical Outlet

The electrical requirements are a 120VAC, 60Hz, 15 ampere or more protected electrical supply. It is recommended that a separate circuit serving only this appliance be provided. The drawer is equipped with a 3-prong grounding plug, and it must be plugged into a wall receptacle that is properly installed and grounded. Should you only have a 2-prong outlet, it is your responsibility to install a correct wall receptacle.

The microwave drawer can also be installed using an electrical outlet in an adjacent cabinet within the area where the provided electrical cord can reach. Always check electrical codes for requirements.

NOTE: Do not use extension cords or adapter plugs with this appliance.



WARNING

Electrical wiring must be done by qualified person(s) in accordance with all applicable codes and standards. Turn off electrical power at service entrance before wiring.

Operating Your Appliance

Using the Control Panel



STANDBY MODE

When the microwave drawer is first plugged into an outlet, an alarm will sound. The screen will display “WELCOME”. Then, the microwave drawer defaults to standby mode. Standby mode is defined as being idle and not being operated for cooking.

The screen will display “00:00”. In standby mode, the screen will display the current time if the clock has been set. Otherwise, “00:00” will display.

OPEN & CLOSE

Allows you to open and close the microwave drawer with ease.

1. Press the OPEN button to open the microwave drawer. The screen will display “OPEN”.
2. Press the CLOSE button to close the microwave drawer. The screen will display “CLOSE”. The screen will display the current time or “00:00” when the microwave drawer has fully closed. Manually pushing to close the microwave drawer is also acceptable.

NOTE: The microwave drawer automatically opens by pressing the OPEN button and automatically closes by pressing the CLOSE button. However, pressing the OPEN or CLOSE button during this process will stop the door from opening or closing. Pressing the OPEN or CLOSE button again will resume the process.

CLOCK

The clock shows the time under a 12-hour display and can only be set in standby mode. To reset the clock, repeat the steps below:

1. Press the CLOCK button, and the screen will display “12:00”.
2. Press the number keys to enter the correct time. The input time should be between 1:00 - 12:59.
3. Press CLOCK or START/PAUSE to finish the setting, indicated by a flashing “:.”.
 - ▶ Pressing the CANCEL/STOP button or waiting a minute while setting up the clock will cause the microwave drawer to revert back to its former time.

KITCHEN TIMER

Allows you to keep track of cooking over an extended period of time.

1. Press the KITCHEN TIMER button once for the screen to display “00:00”.
2. Press the number keys to enter the time. The maximum time value is 99:99.
3. Press the START/PAUSE or KITCHEN TIMER buttons to confirm the setting. The timer will begin counting down. When the timer is up, an alarm will sound, and the screen will display “TIMER DONE”.
4. Press the KITCHEN TIMER button to disable the alarm.
 - ▶ The kitchen timer is purely a timer, not a clock.
 - ▶ Pressing the CANCEL/STOP button while setting up the timer will cancel it.

MUTE ON/OFF

1. Press the MUTE ON/OFF button again. A beep will sound and the screen will display “MUTE ON” indicating alarms will now be muted.
2. Press the MUTE ON/OFF button once. A beep will sound and the screen will display “MUTE OFF” indicating the alarms will now sound.

POWER

Allows you to adjust to different power levels when cooking your contents and will help prevent overcooking or undercooking. Variable power levels provides versatility in microwave cooking. Selecting a lower power level may allow contents to have enhanced flavors, textures, or appearances. Higher power levels will cook contents faster, but may require more frequent stirring, rotating, or turning over.

Occasional rest periods from cooking the contents will allow the heat to distribute and equalize.

1. Press the POWER button once to set the cooking power of the microwave drawer.
2. Press the number keys or repeatedly press the POWER button to select your desired power level. The default power level is PL-10.
3. Press the TIME COOK button to set the cooking time before.
4. Press the START/PAUSE button to initiate the cooking process. The microwave drawer will be cooking at the set power level.
 - ▶ The power level can be changed during the cooking process. Press the POWER button and the current power will display on the screen for 5 seconds. Press the number keys or repeatedly press the POWER button to select your desired power level.

Level	10	9	8	7	6	5	4	3	2	1
Power	100%	90%	80%	70%	60%	50%	40%	30%	20%	10%
Display	PL-10	PL-9	PL-8	PL-7	PL-6	PL-5	PL-4	PL-3	PL-2	PL-1

Operating Your Appliance

Cooking, Defrosting, and Auto Features

TIME COOK

1. Press the TIME COOK button once for the screen to display “:0”.
2. Enter the desired cooking time with the number keys. The maximum cooking time value is 99:99.
3. Press the START/PAUSE button to start cooking. The cooking time will begin counting down. An alarm will sound and the screen will display “FOOD IS READY” once cooking is finished.
 - ▶ Opening the microwave drawer or pressing the START/PAUSE button while cooking will pause the cooking process.

+30 SEC.

1. Press the +30. SEC button to immediately begin cooking at 100% power for 30 seconds. Each press will increase the cooking timer by 30 seconds. The maximum cooking time value is 99:99.
 - ▶ If using the kitchen timer, pressing the +30 SEC. button will increase the kitchen timer by 30 seconds.
 - ▶ If using the auto menu selections or if defrosting by time, pressing the +30 SEC. button will increase their cooking times by 30 seconds.

EXPRESS COOK (NUMBER KEYS)

Express cook is a quick way to set the cooking time between 1 to 5 minutes using the number keys and is only operable in standby mode.

1. Press the number keys to immediately begin cooking at 100% power in durations within 1 to 5 minutes by selecting 1, 2, 3, 4, or 5 for your respective cooking time. The cooking time will begin counting down.

DEFROST

Allows for efficient and rapid thawing of frozen content over a selected length of time. Once defrosting is complete, the contents should be cool throughout but softened uniformly in all parts. If certain areas are still slightly icy, either return the contents to the microwave drawer or allow it to stand for a few minutes to naturally thaw.

Defrost by Weight

1. Press the DEFROST button once for the screen to display “WEIGHT”.
2. Press the number keys to input the content weight to be defrosted.
3. Press the START/PAUSE button to start defrosting. The defrosting time will begin counting down. Once complete, the alarm will sound and the screen will display “FOOD IS READY”.
 - ▶ The input weight of the contents should be between 0.1lbs - 6.0lbs.
 - ▶ An alarm will sound to remind you to turn the contents over during defrosting.

Defrost by Time

1. Press the DEFROST button twice for the screen to display “TIME”.
2. Press the number keys to input the time to be defrosted. The maximum time value is 99:99.
3. Press the START/PAUSE button to start defrosting. The defrosting time will begin counting down. Once complete, the alarm will sound and the screen will display “FOOD IS READY”.
 - ▶ The default defrosting power is at 30% (PL-3).
 - ▶ An alarm will sound to remind you to turn the contents over during defrosting.

AUTO MENU (BEVERAGE, POPCORN, SOFTEN, MELT)

The auto menu features are pre-programmed settings to simplify cooking or reheating without manually adjusting power levels and cooking times.

Beverage

1. Press the BEVERAGE button once for the screen to display “1 CUP”.
2. Select either the number keys 1 or 2 or press the BEVERAGE button repeatedly to display “1 CUP” or “2 CUPS”.
3. Press the START/PAUSE button to start cooking. The cooking time will begin counting down. Once complete, the alarm will sound and the screen will display “FOOD IS READY”.

Popcorn

1. Press the POPCORN button once for the screen to display “1.75OZ”.
2. Continue pressing the POPCORN button to rotate between the screen displaying “1.75OZ”, “3.00Z”, or “3.50Z”.
3. Press the START/PAUSE button to start cooking. The cooking time will begin counting down. Once complete, the alarm will sound and the screen will display “FOOD IS READY”.

Operating Your Appliance

Soften

1. Press the SOFTEN button once. The screen will display “SELECT FOOD TYPE 1-3”.
2. Select either 1, 2, or 3 from the number keys or repeatedly press the SOFTEN button to rotate between the screen displaying “BUTTER”, “ICE-CRE”, or “CHEESE”.
3. Press the START/PAUSE button to confirm the selection.
4. Repeatedly press the SOFTEN button or press 1, 2, or 3 from the number keys to select the weight.
5. Press the START/PAUSE button to start cooking. The cooking time will begin counting down. Once complete, the alarm will sound and the screen will display “FOOD IS READY”.

Menu	Display	Repeated Presses	Weight
Butter	BUTTER	1	1 (STICK)
		2	2 (STICK)
		3	3 (STICK)
Ice Cream/Frozen Juice	ICE-CRE	1	8 oz
		2	16 oz
		3	32 oz
Cream Cheese	CHEESE	1	3 oz
		2	8 oz

Melt

1. Press the MELT button once. The screen will display “SELECT FOOD TYPE 1-4”.
2. Select either 1, 2, 3, or 4 from the number keys or repeatedly press the MELT button to rotate between the screen displaying “BUTTER”, “CHOCOLA”, “CHEESE”, or “MARSHMA”.
3. Press the START/PAUSE button to confirm the selection.
4. Repeatedly press the MELT button or press 1, 2, or 3, to select the weight.
5. Press the START/PAUSE button to start cooking. The cooking time will begin counting down. Once complete, the alarm will sound and the screen will display “FOOD IS READY”.

Menu	Display	Repeated Presses	Weight
Butter/Margarine	BUTTER	1	1(STICK)
		2	2(STICK)
		3	3(STICK)
Chocolate	CHOCOLA	1	4 oz
		2	8 oz
Cheese	CHEESE	1	8 oz
		2	16 oz
Marshmallows	MARSHMA	1	5 oz
		2	10 oz

Sensor Feature

The microwave drawer sensors automatically detect and adjust cooking settings for the contents being cooked. This allows simplification of cooking or reheating without manually adjusting power levels and cooking times.

NOTE: Do not use the sensor features consecutively on the same contents as it could become overcooked or burnt. Allow the microwave drawer to cool for 5-10 minutes before using the sensor feature again. If the contents remain undercooked after the countdown, use the TIME COOK button for additional cooking.

SENSOR REHEAT

1. Press the SENSOR REHEAT button once. The screen will display “SELECT SENSOR FOOD TYPE 1-4”.
2. Select either 1, 2, 3, or 4 from the number keys or repeatedly press the SENSOR REHEAT button to rotate between the screen displaying “PASTA”, “PIZZA”, “PLATE,” or “SOUP”.
3. Press the START/PAUSE button for the microwave drawer to start sensing.
4. Once sensing is complete, the calculated cooking time will begin counting down. The alarm will sound and the screen will display “FOOD IS READY” when cooking is finished.
 - ▶ Do not open the door during the sensing process or else it will be cancelled.
 - ▶ Once the calculated cooking time is displayed, the door can be opened to stir, turn, or rearrange the contents. Close the door and press the START/PAUSE button to resume cooking.

Menu	Display	Repeated Presses	Weight Range
Pasta	PASTA	1	1-4 serving (4 oz/serv)
Pizza	PIZZA	2	1-4 slice (2 oz/slice)
Plate	PLATE	3	1 serving
Soup	SOUP	4	1-4 serving (4 oz/serv)

Operating Your Appliance

SENSOR COOK

1. Press the SENSOR COOK button once. The screen will display “SELECT SENSOR FOOD TYPE 1-7”.
2. Select either 1 - 7 or repeatedly press the SENSOR COOK button to choose between a variety of options: POTATO, CHICKEN, FISH, MEAT, FRES-VE, FROZ-VE, and CANN-VE
3. Press the START/PAUSE button for the microwave drawer to start sensing.
4. Once sensing is complete, the calculated cooking time will begin counting down. The alarm will sound and the screen will display “FOOD IS READY” when cooking is finished.
 - ▶ Do not open the door during the sensing process or else it will be cancelled.
 - ▶ Once the calculated cooking time is displayed, the door can be opened to stir, turn, or rearrange the contents. Close the door and press the START/PAUSE button to resume cooking.

Menu	Display	Repeated Presses	Weight Range
Potato (Sensor)	POTATO	1	1-4 potatoes
Chicken	CHICKEN	2	1-4 serving (4 oz/serv)
Fish	FISH	3	1-4 slice (4 oz/slice)
Ground Meat	MEAT	4	1-4 serving (4 oz/serv)
Fresh Veggies	FRES-VE	5	1-4 serving (4 oz/serv)
Frozen Veggies	FROZ-VE	6	1-4 slice (4 oz/slice)
Canned Veggies	CANN-VE	7	1-4 serving (4 oz/serv)

Other Features

CHILD LOCK

- ▶ To activate the lock, press and hold the CHILD LOCK button for 3 seconds. A beep will sound and the locked icon will display.
- ▶ To deactivate the lock, press and hold the CHILD LOCK button for 3 seconds. A beep will sound and the locked icon will disappear.

ECO MODE

- ▶ ECO mode is defined as an energy saving mode. If there is no operation within 1 minute, the display will dim. Pressing any buttons or opening the door will revert the display to its original brightness.

CHECK FUNCTION

- ▶ While cooking, press the CLOCK button to check the clock. The current time will display until the button is released.
- ▶ While cooking, press the POWER button to check the microwave drawer power level. The current power will display for 5 seconds.

Safe to Microwave Items

Below are a list of items that are considered microwave-safe with proper precautions. If you are unsure of the safety of the item, a test may be performed:

1. Fill a microwave-safe container with 1 cup of cold water along with the item you are testing.
2. Heat both items on maximum power for 1 minute. Do not exceed the 1 minute cooking time.
3. Afterward, carefully feel the item being tested. If the item is warm, do not use it for microwave cooking.

Item	Remarks
Browning dish	Follow manufacturer's instructions. The bottom of the browning dish must be at least 3/16" above the turntable. Incorrect usage may cause the turntable to break.
Dishware	Follow manufacturer's instructions. Use microwave-safe dishware only. Do not use cracked or chipped dishware.
Glass jars	Always remove the lid. Use only to heat food until just warm. Most glass jars are not heat resistant and may break.
Glassware	Use heat-resistant oven glassware only. Make sure there is no metallic trim. Do not use cracked or chipped glassware.
Oven cooking bags	Follow manufacturer's instructions. Do not close with a metal tie. Make slits to allow steam to escape.
Paper plates and cups	Use for short-term cooking and warming only. Do not leave the microwave drawer unattended while cooking.
Paper towel	Use to cover food for reheating and absorbing fat. Use for short-term cooking and warming only.
Parchment paper	Use as a cover to prevent splattering or use as a wrap for steaming.
Wax paper	Use as a cover to prevent splattering.
Plastic items	Follow manufacturer's instructions. Use microwave-safe plastic only. It should be labeled "Microwave Safe". Some plastic items soften as the contents inside gets hot. "Boiling bags" and tightly closed plastic bags should be slit, pierced, or vented as directed by their package instructions.
Thermometers	Use microwave-safe thermometers only (meat and candy thermometers).

Care and Maintenance

Unsafe to Microwave Items

Below are a list of items that are considered unsafe to microwave and should best be avoided to prevent personal injury and damage to the microwave drawer.

Item	Remarks
Aluminum	May cause arcing. Transfer food into a microwave-safe container.
Food carton with metal handle	May cause arcing. Transfer food into a microwave-safe container.
Metal or metal-trimmed containers	Metal shields the food from the microwave energy. Metal trims may cause arcing.
Metal twist ties	May cause arcing and could cause a fire in the microwave drawer.
Paper bags	May cause a fire in the microwave drawer.
Plastic foam	May melt or contaminate contents when exposed to high temperatures.
Wood	May dry out and potentially split or crack.

Cleaning the Unit

Periodic cleaning and proper maintenance will ensure efficiency, top performance, and long life.

Interior Cleaning: Steam

1. Fill a microwave-safe bowl with a mixture of water and a few tablespoons of vinegar or lemon juice.
2. Place the bowl in the microwave drawer and heat for 5-10 minutes to create steam.
3. Let the microwave drawer sit for a few minutes after heating. The steam will help loosen dried-on food contents.
4. With a clean cloth, wipe the interior of the microwave drawer until clean.

Interior Cleaning: Dish Soap

1. Mix a few drops of mild dish soap with warm water.
2. Use a soft sponge to remove greasy splatters.
3. With a clean cloth, wipe the interior of the microwave drawer until clean.

NOTE: Never use a commercial oven cleaner on any part of the microwave drawer.

Exterior Cleaning

The exterior of the microwave drawer can be cleaned with mild detergent and lukewarm water solution such as two (2) tablespoons of baking soda to one (1) quart of water. Do not use solvent based or abrasive cleaners. Use a soft sponge and rinse with clean water. Wipe with a soft clean towel to prevent water spotting. Clean stainless steel with a cloth dampened with a mild detergent and warm water solution. Never use an abrasive or caustic cleaning agent.

Troubleshooting

Possible Problem	Possible Cause	Solutions
The microwave drawer will not operate.	Not plugged in.	Ensure the microwave drawer is plugged in and the power outlet has power.
	The circuit breaker tripped or has a blown fuse.	Replace the broken fuse or reset the breaker.
The microwave drawer is arcing or sparking.	Unsafe materials were used in the microwave drawer.	Use microwave-safe items only.
	The microwave drawer was operated when there were no contents inside.	Do not operate the microwave drawer when it is empty.
	Spilled contents remain in the microwave drawer cavity.	Clean the cavity by following instructions in the Cleaning the Unit section.
Contents are unevenly cooked.	Unsafe materials were used in the microwave drawer.	Use microwave-safe items only.
	Food contents were not completely defrosted.	Completely defrost food contents.
	The cooking time and power level was not suitable.	Use the correct cooking time and power level.
	Food contents were not turned, stirred, or rotated.	Turn, stir, or rotate the food contents and recook.
Contents are overcooked.	The cooking time and power level was not suitable.	Use the correct cooking time and power level.
Contents are undercooked.	Unsafe materials were used in the microwave drawer.	Use microwave-safe items only.
	Food contents were not completely defrosted.	Completely defrost food contents.
	The cooking time and power level was not suitable.	Use the correct cooking time and power level.
	Microwave drawer ventilation ports are restricted.	Check to see that the microwave drawer ventilation ports are not restricted.
Contents are improperly defrosted.	Unsafe materials were used in the microwave drawer.	Use microwave-safe items only.
	The cooking time and power level was not suitable.	Use the correct cooking time and power level.
	Food contents were not turned, stirred, or rotated.	Turn, stir, or rotate the food contents and recook.

Zephyr Ventilation, LLC (referred to herein as “we” or “us”) warrants to the original consumer purchaser (referred to herein as “you” or “your”) of Zephyr products (the “Products”) that such Products will be free from defects in materials or workmanship as follows:

One Year Limited Warranty for Parts: For one year from the date of your original purchase of the Products, we will provide, free of charge, Products or parts (including light bulbs, if applicable) to replace those that failed due to manufacturing defects subject to the exclusions and limitations below. We may choose, in our sole discretion, to repair or replace parts before we elect to replace the Products.

One Year Limited Warranty for Labor: For one year from the date of your original purchase of the Products, we will provide, free of charge, the labor cost associated with repairing the Products or parts to replace those that failed due to manufacturing defects subject to the exclusions and limitations below.

To Obtain Service Under Limited Warranty: To qualify for warranty service, you must: (a) notify us at www.zephyronline.com/contact within 60 days of discovering the defect; (b) give the model number and serial number; and (c) describe the nature of any defect in the Product or part. At the time of the request for warranty service, you must present evidence of your proof of purchase and proof of the original purchase date. If we determine that the warranty exclusions listed above apply or if you fail to provide the necessary documentation to obtain service, you will be responsible for all shipping, travel, labor and other costs related to the services. This warranty is not extended or restarted upon warranty repair or replacements.

Warranty Exclusions: This warranty covers only repair or replacement, at our option, of defective Products or parts and does not cover any other costs related to the Products including but not limited to: (a) normal maintenance and service required for the Products and consumable parts such as filters, light bulbs, fuses; (b) any Products or parts which have been subject to freight damage, misuse, negligence, accident, faulty installation or installation contrary to recommended installation instructions, improper maintenance or repair (other than by us); (c) commercial or government use of the Products or use otherwise inconsistent with its intended purpose; (d) natural wear of the finish of the Products or wear caused by improper maintenance, use of corrosive and abrasive cleaning products, pads, and oven cleaner products; (e) chips, dents or cracks caused by abuse or misuse of the Products; (f) service trips to your home to teach you how to use the Products; (g) damage to the Products caused by accident, fire, floods, acts of God; or (h) Custom installations or alterations that impact serviceability of the Products. (i) Damage to personal property or food spoilage from use of this product. If you are outside our service area, additional charges may apply for shipping costs for warranty repair at our designated service locations and for the travel cost to have a service technician come to your home to repair, remove or reinstall the Products. After the first year from the date of your original purchase, you are also responsible for all labor costs associated with this warranty. All Products must be installed by a qualified professional installer to be eligible for warranty repairs or service.

Limitations of Warranty: OUR OBLIGATION TO REPAIR OR REPLACE, AT OUR OPTION, SHALL BE YOUR SOLE AND EXCLUSIVE REMEDY UNDER THIS WARRANTY. WE SHALL NOT BE LIABLE FOR INCIDENTAL, CONSEQUENTIAL OR SPECIAL DAMAGES ARISING OUT OF OR IN CONNECTION WITH THE USE OR PERFORMANCE OF THE PRODUCTS. THE EXPRESS WARRANTIES IN THE PRECEDING SECTION ARE EXCLUSIVE AND IN LIEU OF ALL OTHER EXPRESS WARRANTIES. WE HEREBY DISCLAIM AND EXCLUDE ALL OTHER EXPRESS WARRANTIES FOR THE PRODUCTS, AND DISCLAIM AND EXCLUDE ALL WARRANTIES IMPLIED BY LAW, INCLUDING THOSE OF MERCHANTABILITY AND FITNESS FOR A PARTICULAR PURPOSE. Some states or provinces do not allow limitations on the duration of an implied warranty or the exclusion or limitation of incidental or consequential damages, so the above limitations or exclusions may not apply to you. To the extent that applicable law prohibits the exclusion of implied warranties, the duration of any applicable implied warranty is limited to the same two-year and one-year periods described above if permitted by applicable law. Any oral or written description of the Products is for the sole purpose of identifying the Products and shall not be construed as an express warranty. Prior to using, implementing or permitting use of the Products, you shall determine the suitability of the Products for the intended use, and you shall assume all risk and liability whatsoever in connection with such determination. We reserve the right to use functionally equivalent refurbished or reconditioned parts or Products as warranty replacements or as part of warranty service. This warranty is not transferable from the original purchaser and only applies to the consumer residence where the Product was originally installed located in the United States and Canada. This warranty is not extended to resellers.

Please check our website for any additional product information, www.zephyronline.com
For warranty support, contact us at www.zephyronline.com/contact

NOV23.0101

Don't Forget to Register your Zephyr Product!

Congratulations on your Zephyr purchase! Please take a moment to register your new product.



Register

zephyronline.com/registration

Why is it important?

Prompt registration helps in more ways than one:

- Ensures warranty coverage should you need service
- Ownership verification for insurance purposes
- Notification of product changes or recalls



Review

qrs.ly/c7ea9sj

How about a review?

While you're at it, leave a review to let us know how much you love your product.

Search your Zephyr model number in the top navigation bar

ZEPHYR

zephyronline.com | 2277 Harbor Bay Pkwy. | Alameda, CA 94520

ZEPHYR

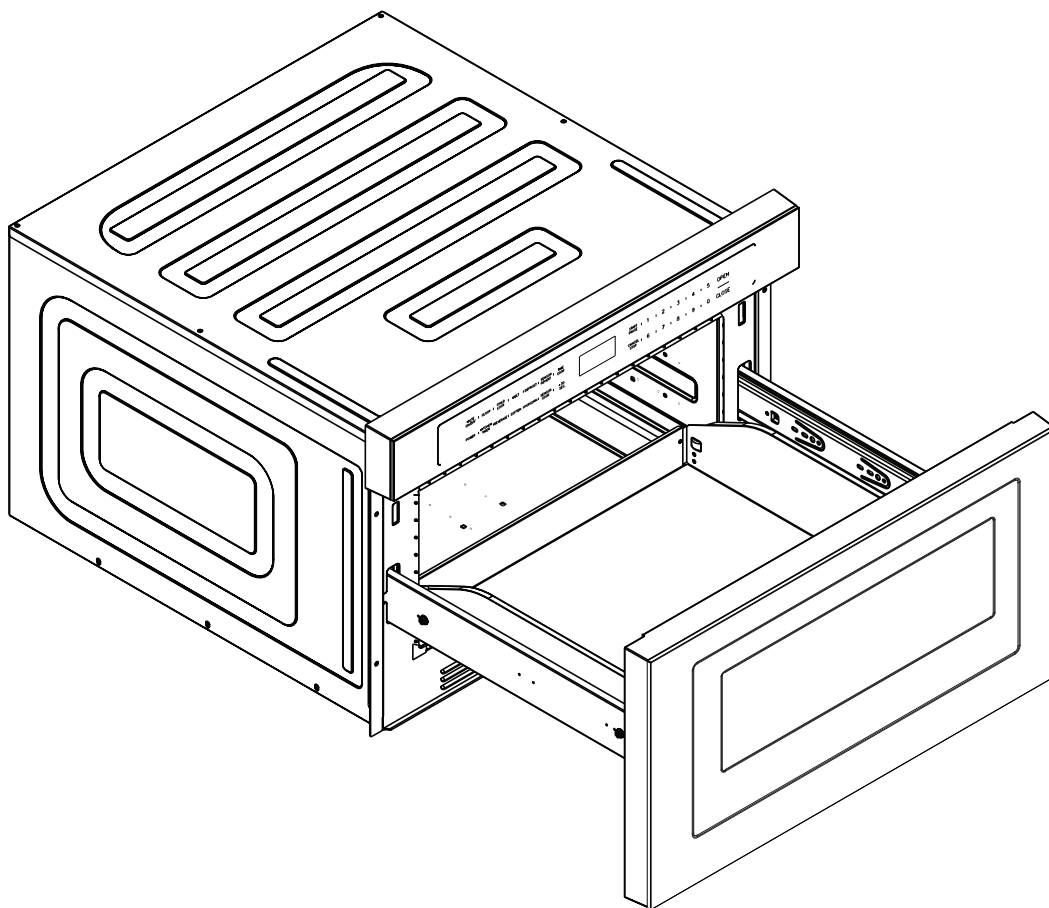
WWW.ZEPHYRONLINE.COM

MWD2401AS

Tiroir à micro-ondes

EN Use, Care, and Installation Guide

FR Guide d'utilisation, d'entretien et d'installation



	Page
Informations sur la sécurité	4-10
Introduction	11
Liste des matériaux.....	12
Spécifications du produit.....	13-14
Résumé du produit.....	13
Identification des pièces.....	13
Dimensions.....	14
Instructions d'installation	15-19
Exigences en matière de dégagement pour l'installation	15
Installation standard	16
Installation encastrée	17-18
Instructions de mise à la terre	18
Bloc anti-basculement	19
Prise électrique	19
Fonctionnement de l'appareil.....	20-26
Utilisation du panneau de commande	20-21
Cuisson, décongélation et fonctions automatiques	22-24
Caractéristiques du capteur	25-26
Autres fonctions	26
Entretien et Maintenance.....	27-29
Sans danger pour les micro-ondes.....	27
Articles dangereux à passer aux micro-ondes	28
Nettoyage de l'unité.....	29
Dépannage	30
Garantie limitée	31
Enregistrement du produit	32

Informations sur la sécurité

Votre sécurité et celle des autres sont très importantes.

Ce manuel contient de nombreux messages de sécurité importants pour votre appareil. Lisez et respectez toujours tous les messages de sécurité.



Il s'agit du symbole d'alerte à la sécurité. Ce symbole vous avertit des risques potentiels pouvant entraîner des blessures graves, voire mortelles. Tous les messages de sécurité sont suivis du symbole d'alerte de sécurité et des mots « **DANGER** », « **AVERTISSEMENT** » ou « **ATTENTION** »

 **DANGER** 

Danger signifie que le non-respect de cette consigne de sécurité peut entraîner des blessures graves, voire mortelles.

 **AVERTISSEMENT** 

Avertissement signifie que le non-respect de cette consigne de sécurité peut entraîner des dommages importants au produit, des blessures graves, voire la mort.

 **ATTENTION** 

Attention signifie que le non-respect de cette consigne de sécurité peut entraîner des blessures légères ou modérées, des dégâts matériels ou des dommages à l'équipement.

Pour votre sécurité, lisez attentivement toutes les instructions avant d'utiliser l'appareil.

PRÉCAUTIONS POUR ÉVITER UNE POSSIBLE EXPOSITION À UNE ÉNERGIE MICRO-ONDES EXCESSIVE

- (a) **Ne pas essayer** de faire fonctionner ce four avec la porte ouverte, car le fonctionnement en porte ouverte peut entraîner une exposition nocive à l'énergie des micro-ondes. Il est important de ne pas neutraliser ou altérer les verrouillages de sécurité.
- (b) **Ne pas placer** tout objet entre la face avant du four et la porte et ne laissez pas de saleté ou de résidus de nettoyage s'accumuler sur les surfaces d'étanchéité.
- (c) **Ne pas utiliser** le four s'il est endommagé. Il est particulièrement important que la porte du four se ferme correctement et que le four ne soit pas endommagé :
 - (1) porte (pliée)
 - (2) charnières et loquets (cassés ou desserrés)
 - (3) joints de porte et surfaces d'étanchéité
- (d) **Le four ne doit être** ni réglé ni réparé par quiconque, à l'exception du personnel de service dûment qualifié.

INSTRUCTIONS DE MISE À LA TERRE

L'appareil doit être mis à la terre. En cas de court-circuit électrique, la mise à la terre réduit le risque de choc électrique en fournissant un fil de fuite pour le courant électrique. Cet appareil est équipé d'un câble de mise à la terre et d'une fiche de mise à la terre. La fiche doit être correctement sur une prise électrique également correctement installée et mise à la terre.

Consultez un électricien ou un réparateur qualifié si vous ne comprenez pas parfaitement les instructions de mise à la terre ou si vous n'êtes pas sûr que l'appareil soit correctement mis à la terre. S'il est nécessaire d'utiliser une rallonge, n'utilisez qu'une rallonge à trois fils, dotée d'une fiche à trois lames avec mise à la terre et d'une prise à trois fentes acceptant la fiche de l'appareil. La valeur nominale indiquée de la rallonge doit être égale ou supérieure à la puissance électrique de l'appareil.

Pour votre sécurité, lisez attentivement toutes les instructions avant d'utiliser l'appareil.



AVERTISSEMENT



Une utilisation incorrecte de la mise à la terre peut entraîner un risque de choc électrique. Ne pas brancher l'appareil sur le secteur si le micro-ondes n'est pas encore correctement installé et mis à la terre.



DANGER



Toucher certains des composants internes peut causer des blessures corporelles graves ou la mort. Ne pas démonter cet appareil.

1. Un câble d'alimentation court est fourni pour réduire le risque de s'emmêler ou de trébucher sur un câble plus long.
2. Des câbles plus longs ou des rallonges sont disponibles et peuvent être utilisés à condition d'être utilisés avec précaution.
3. Si un long câble ou une rallonge est utilisé :
 1. La valeur nominale électrique marquée du câble ou de la rallonge doit être au moins aussi importante que la puissance électrique de l'appareil.
 2. La rallonge doit être un câble à 3 fils de type mise à la terre.
 3. La rallonge doit être disposée de manière à ne pas reposer sur le comptoir ou sur la table où les enfants risquent de la tirer ou de trébucher sans intention.



AVERTISSEMENT



Prop. 65 Avertissement pour les résidents de Californie : Ce produit peut contenir des substances chimiques reconnues par l'État de Californie comme étant à l'origine de cancers, de malformations congénitales ou d'autres troubles de la reproduction.

Pour votre sécurité, lisez attentivement toutes les instructions avant d'utiliser l'appareil.

SÉCURITÉ GÉNÉRALE



Lors de l'utilisation d'un appareil électrique, des précautions de base doivent être prises, notamment les suivantes :

- ▶ Lire toutes les instructions avant d'utiliser cet appareil.
- ▶ Lire et suivre les instructions spécifiques : « PRÉCAUTIONS POUR ÉVITER UNE EXPOSITION ÉVENTUELLE À UNE ÉNERGIE EXCESSIVE À MICRO-ONDES ».
- ▶ Utiliser cet appareil uniquement pour l'usage auquel il est destiné, tel que décrit dans ce manuel. Ne pas utiliser de produits chimiques ou de vapeurs corrosives dans cet appareil. Ce four à micro-ondes est spécifiquement conçu pour chauffer, sécher ou cuire des aliments et n'est pas destiné à une utilisation en laboratoire ou industrielle.
- ▶ Cet appareil ne doit être réparé que par du personnel qualifié. Contacter le centre de service agréé le plus proche pour un examen, une réparation ou un réglage.

INSTALLATION

- ▶ Installer ou localiser cet appareil uniquement selon les instructions d'installation fournies.
- ▶ Cet appareil doit être mis à la terre. Connecter uniquement à une prise correctement mise à la terre. Voir « INSTRUCTIONS DE MISE À LA TERRE ».
- ▶ Ne pas utiliser cet appareil si son câble ou sa fiche est endommagé, s'il ne fonctionne pas correctement ou s'il a été endommagé ou est tombé.
- ▶ Tenir le câble d'alimentation à l'écart des surfaces chauffées.
- ▶ Ne pas plonger le câble d'alimentation ou la fiche dans l'eau.
- ▶ Ne pas couvrir ou bloquer les ouvertures de l'appareil.
- ▶ Ne pas ranger cet appareil à l'extérieur. Ne pas utiliser ce produit près de l'eau - par exemple, près d'un évier de cuisine, dans un sous-sol humide ou près d'une piscine, ou dans des endroits similaires.
- ▶ Ne pas laisser le câble d'alimentation pendre sur le bord de la table ou du comptoir.

Informations sur la sécurité

Pour votre sécurité, lisez attentivement toutes les instructions avant d'utiliser l'appareil.

SÉCURITÉ GÉNÉRALE

- ▶ Ne pas installer l'appareil au-dessus ou à proximité d'un appareil de chauffage ou de cuisson.
- ▶ Ne pas monter au-dessus d'un évier.

RÉDUIRE LE RISQUE D'INCENDIE DANS LA CAVITÉ

- ▶ Ne pas trop cuire les aliments. Surveiller attentivement l'appareil lorsque du papier, du plastique ou d'autres matériaux combustibles sont placés à l'intérieur du four pour faciliter la cuisson.
- ▶ Retirer les attaches métalliques des récipients en papier ou en plastique avant de les mettre au four.
- ▶ Si des matériaux dans le four s'enflamment, garder la porte du four fermée, éteindre le four et débrancher le câble d'alimentation ou couper le courant au niveau du fusible ou du panneau de disjoncteurs.
- ▶ Ne pas ranger de matériaux dans le four lorsqu'il n'est pas utilisé. Ne pas laisser de produits en papier, d'ustensiles de cuisine ou d'aliments dans la cavité lorsqu'ils ne sont pas utilisés. Toutes les grilles doivent être retirées du four lorsqu'elles ne sont pas utilisées.
- ▶ Ne pas utiliser la fonction micro-ondes sans aliments dans le four.

POUR RÉDUIRE LE RISQUE DE BRÛLURES

- ▶ Faire attention lors de l'ouverture des récipients contenant des aliments chauds. Utiliser des maniques et éloigner la vapeur du visage et des mains.
- ▶ Aérer, percer ou fendre les conteneurs, les sachets ou les sacs en plastique pour éviter l'accumulation de pression.
- ▶ LE CONTENU CHAUD PEUT PROVOQUER DE GRAVES BRÛLURES. NE PAS LAISSER LES ENFANTS UTILISER LE MICRO-ONDES.
- ▶ Faire attention lorsque l'on retire des objets chauds.

Pour votre sécurité, lisez attentivement toutes les instructions avant d'utiliser l'appareil.

SÉCURITÉ GÉNÉRALE

FONCTIONNEMENT

- ▶ LE CONTENU CHAUD PEUT PROVOQUER DE GRAVES BRÛLURES. NE LAISSEZ PAS LES ENFANTS UTILISER LE MICRO-ONDES. Soyez prudent lorsque vous retirez des objets chauds.
- ▶ Assurer que tous les ustensiles de cuisine utilisés dans votre four à micro-ondes sont adaptés à la cuisson aux micro-ondes. La plupart des casseroles en verre, des plats de cuisson, des tasses à mesurer, des tasses à crème pâtissière, de la vaisselle en poterie ou en porcelaine qui n'a pas de garniture métallique ou de glaçure à reflets métalliques peuvent être utilisés conformément aux recommandations des fabricants d'ustensiles de cuisine.
- ▶ Ne pas ranger toute chose directement sur la surface du four à micro-ondes lorsque celui-ci est en fonctionnement.
- ▶ Certains produits tels que les œufs entiers et les récipients scellés - par exemple, les bocaux fermés peuvent exploser et ne doivent pas être chauffés dans ce four à micro-ondes.
- ▶ Ne pas trop cuire les pommes de terre. Elles pourraient se déshydrater et s'enflammer.
- ▶ Ne pas recouvrir toute autre partie du four d'une feuille métallique. Cela entraînera une surchauffe du four.
- ▶ Faire bien cuire la viande et la volaille - la viande à une température interne d'au moins 160°F et la volaille à une température interne d'au moins 180°F. La cuisson à ces températures protège généralement contre les maladies d'origine alimentaire.
- ▶ Ce four n'est pas approuvé ni testé pour un usage marin.
- ▶ Ne pas faire fonctionner d'appareil de chauffage ou de cuisson sous l'appareil.

NETTOYAGE

- ▶ Veillez à ce que le four ne soit pas encrassé par les graisses.
- ▶ Ne pas nettoyer avec des tampons à récurer en métal. Les morceaux peuvent brûler le tampon et toucher des pièces électriques, ce qui entraîne un risque d'électrocution.
- ▶ Pour nettoyer les surfaces de la porte et du four qui se rejoignent lors de la fermeture de la porte, utiliser uniquement des savons doux non abrasifs ou un détergent appliqué avec une éponge ou un chiffon doux.

Informations sur la sécurité

Pour votre sécurité, lisez attentivement toutes les instructions avant d'utiliser l'appareil.

SÉCURITÉ GÉNÉRALE

EAU SURCHAUFFÉE

- ▶ Les liquides, tels que l'eau, le café ou le thé, peuvent être surchauffés au-delà du point d'ébullition sans avoir l'air de bouillir. Le bouillonnement ou l'ébullition visible lorsque le récipient est retiré du four à micro-ondes n'est pas toujours présent. **CECI POURRAIT FAIRE BOUILLIR SOUDAINEMENT DES LIQUIDES TRÈS CHAUDS LORSQUE LE RÉCIPIENT EST PERTURBÉ OU QU'UN USTENSILE EST INSÉRÉ DANS LE LIQUIDE.**
- ▶ Pour réduire le risque de blessure aux personnes :
 1. Ne pas surchauffer le liquide.
 2. Remuer le liquide avant et pendant son chauffage.
 3. Ne pas utiliser de récipients à parois droites à col étroit.
 4. Après le chauffage, laisser le récipient reposer dans le four à micro-ondes pendant une courte période avant de retirer le récipient.
 5. Faire attention lorsque l'on insère une cuillère ou un autre ustensile dans le récipient.

EAU SURCHAUFFÉE

- ▶ Le fonctionnement du four à micro-ondes peut provoquer des interférences avec votre radio, votre téléviseur ou un équipement similaire.
- ▶ En cas d'interférence, celle-ci peut être réduite ou éliminée en prenant les mesures suivantes :
 1. Nettoyer la porte et la surface d'étanchéité du four.
 2. Réorientez l'antenne de réception de la radio ou de la télévision.
 3. Déplacez le four à micro-ondes par rapport à la réception.
 4. Éloignez le four à micro-ondes du récepteur.
 5. Branchez le four à micro-ondes dans une prise différente afin que le four à micro-ondes et le récepteur soient sur des circuits de dérivation différents.

Cet appareil est conforme à la partie 18 des règles FCC. (Uniquement pour les États-Unis)

CONSERVER CES INSTRUCTIONS

Si vous rencontrez des problèmes, consultez le guide de dépannage à l'arrière de ce manuel. Il énumère les causes des problèmes mineurs de fonctionnement que vous pouvez corriger vous-même.

Nous vous remercions d'avoir acheté le tiroir à micro-ondes Zephyr. Zephyr se consacre au développement de produits qui améliorent votre style de vie grâce à une qualité supérieure et à des caractéristiques distinctives. Veuillez consulter le site www.zephyronline.com pour plus d'informations sur votre produit et d'autres produits Zephyr.

Ce manuel contient des informations importantes concernant l'installation, l'utilisation et l'entretien de votre tiroir à micro-ondes. Le respect de ce manuel vous permettra d'obtenir des performances et une efficacité optimales de votre produit.

Pour vos enregistrements

Veuillez noter le numéro de modèle et le numéro de série ci-dessous pour référence ultérieure. Ces deux numéros se trouvent sur l'étiquette signalétique au dos de l'appareil et à l'intérieur de l'appareil, vers le bas de l'armoire, et sont nécessaires pour obtenir un service de garantie. Vous pouvez également agraffer votre reçu à ce manuel, car il constitue la preuve de votre achat et peut également être nécessaire pour bénéficier d'un service sous garantie.

Numéro de modèle :

Numéro de série :

Date d'achat :

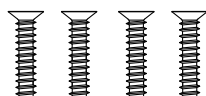
Pour mieux vous servir, veuillez procéder comme suit avant de contacter le service clientèle :

Si vous avez reçu un produit endommagé, contactez immédiatement le détaillant ou le revendeur qui vous a vendu le produit.

- ▶ Lisez et suivez attentivement ce manuel d'instructions pour vous aider à installer, utiliser et entretenir votre tiroir à micro-ondes.
- ▶ Lisez la section de dépannage de ce manuel, elle vous aidera à diagnostiquer et à résoudre les problèmes les plus courants.
- ▶ Visitez notre site web à l'adresse <http://www.zephyronline.com> pour télécharger des guides de produits, des ressources de dépannage supplémentaires et des informations actualisées.
- ▶ Si vous avez besoin d'un service de garantie, nos aimables représentants du service clientèle sont disponibles sur notre site Internet à l'adresse <http://zephyronline.com/contact>.

Quantité

Pièce



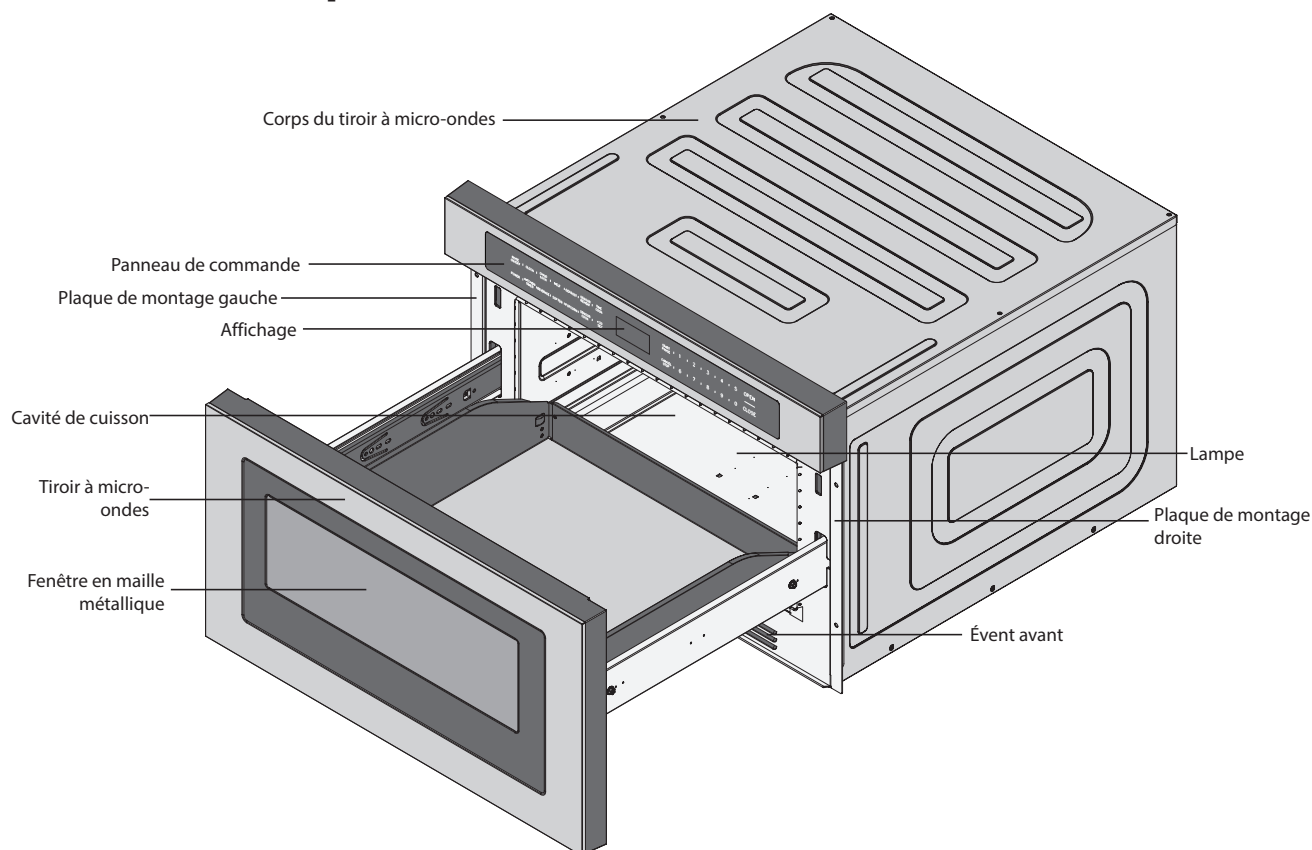
Vis à tête fraisée Philip M4*16-F

Résumé du produit

Cet appareil nécessite une prise électrique standard de 120 VAC,60Hz avec mise à la terre.

DESCRIPTION DU PRODUIT	Tiroir à micro-ondes
POIDS NET (livres)	69 livres
TENSION/FRÉQUENCE	120VAC,60Hz
AMPÉRAGE	15A
ENTRÉE NOMINALE	1500W
SORTIE NOMINALE	1000W
COULEUR	Acier inoxydable
CAPACITÉ DE STOCKAGE	1,2 mètre cube
DIMENSIONS (HxLxP)	16-1/8" X 23-5/8" X 23-7/8"

Identification des pièces

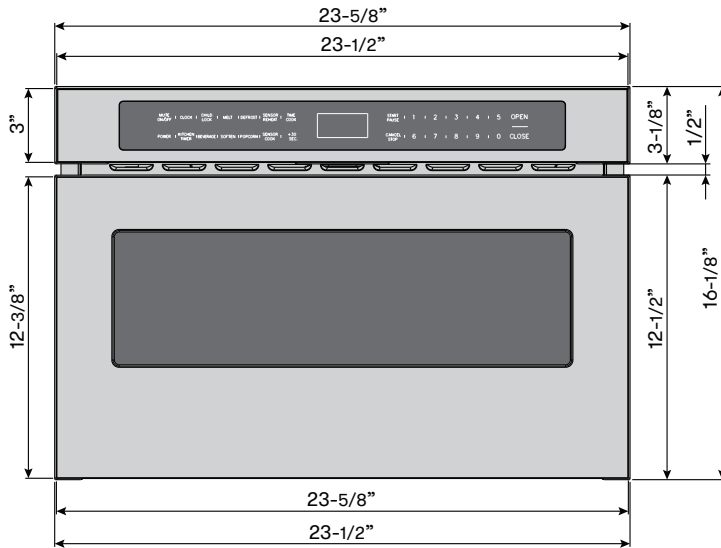


Spécifications du produit

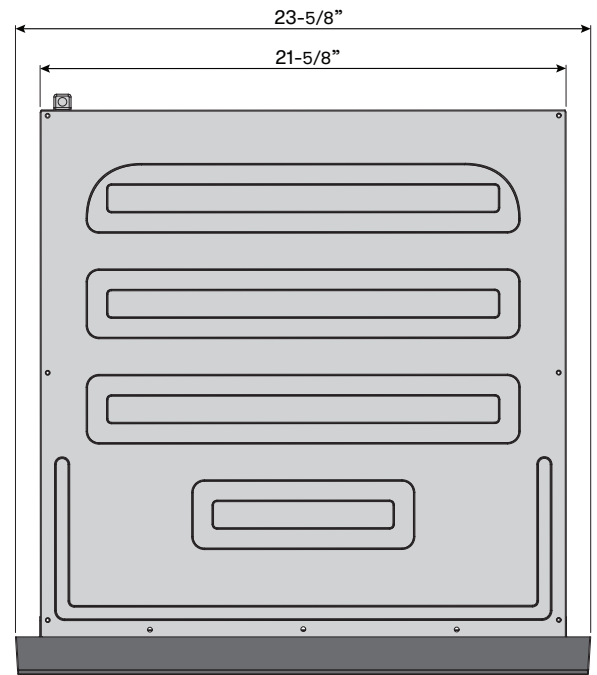
À MICRO-ONDES

INTÉGRÉ

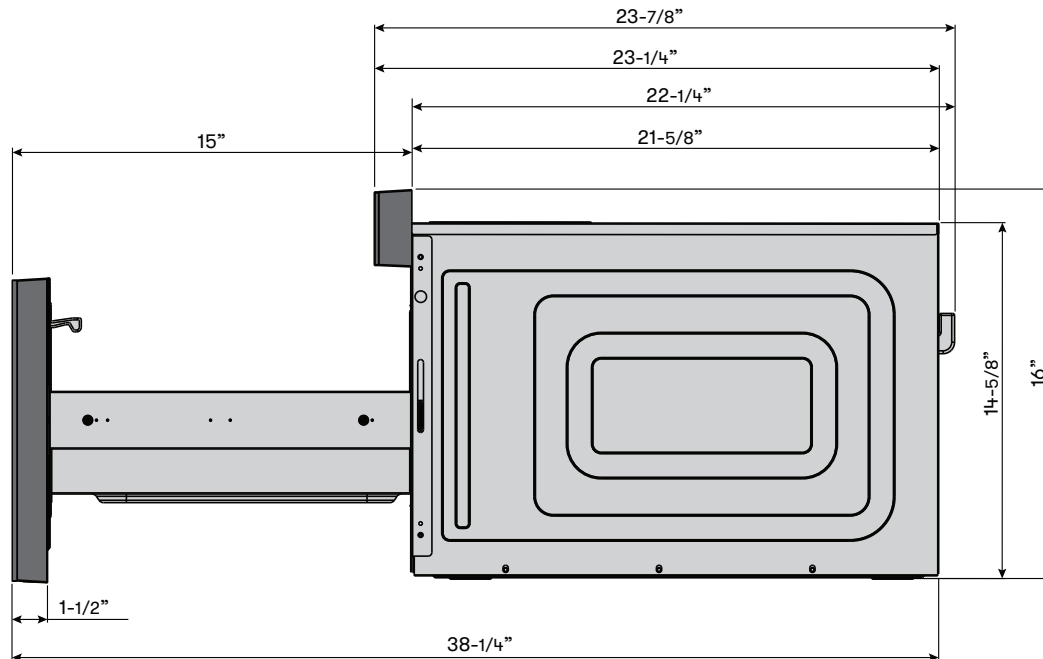
Dimensions



Vue de face



Vue de dessus



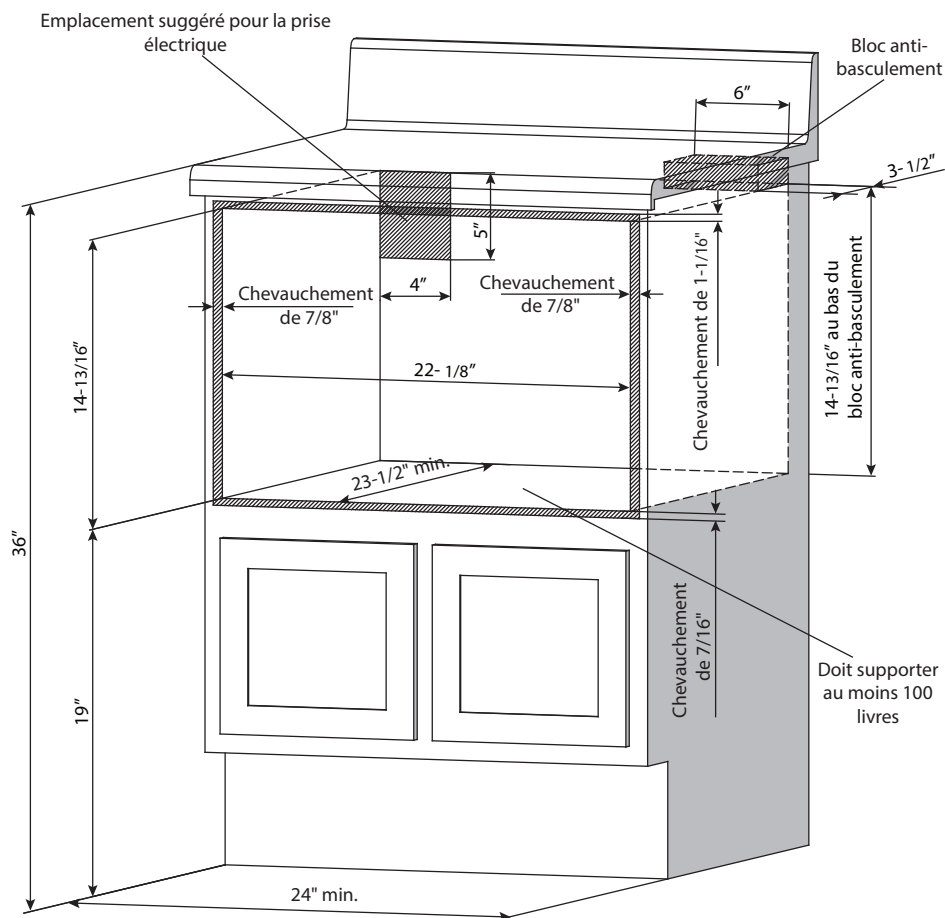
Vue de côté

OBSERVATION : La hauteur interne utilisable est de 7-1/8", et la largeur et la profondeur internes utilisables sont de 16-1/4". Les mesures internes utilisables déterminent le contenu qui peut tenir dans le tiroir du micro-ondes pour la cuisson.

Exigences en matière de dégagement pour l'installation

Lorsque vous installez le tiroir à micro-ondes dans un comptoir, respectez les dimensions d'espacement recommandées indiquées. Les dimensions indiquées correspondent au dégagement minimal.

- ▶ Le tiroir pour micro-ondes peut être intégré dans une armoire, un mur autonome ou sous un four mural à gaz ou électrique où une installation standard et une installation encastrée sont disponibles. L'installation standard est une installation fière et debout.
- ▶ Veillez à ce que le dégagement entre le four mural et le tiroir à micro-ondes soit d'au moins 2".
- ▶ Le câble d'alimentation est situé à l'arrière de l'unité et a une longueur de 51-1/8" pour s'adapter à plusieurs emplacements de prise, y compris l'installation sur une armoire adjacente. Le trou d'accès au câble d'alimentation doit être d'un diamètre minimal de 1-1/2" et ne doit pas présenter d'arêtes vives.
- ▶ La surface de contact doit être solide et plane. Le sol de l'ouverture doit être construit en contreplaqué suffisamment solide pour supporter le poids du four (environ 100 livres).
- ▶ Ce tiroir à micro-ondes peut être entièrement encastré dans un meuble et ne nécessite pas d'autres dégagements que ceux mentionnés ci-dessous.

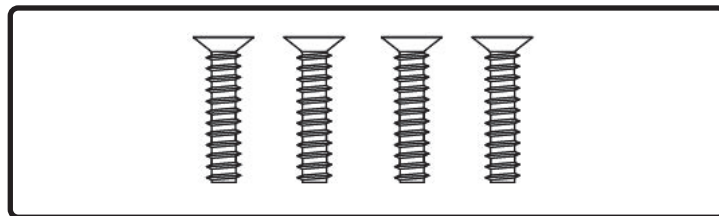
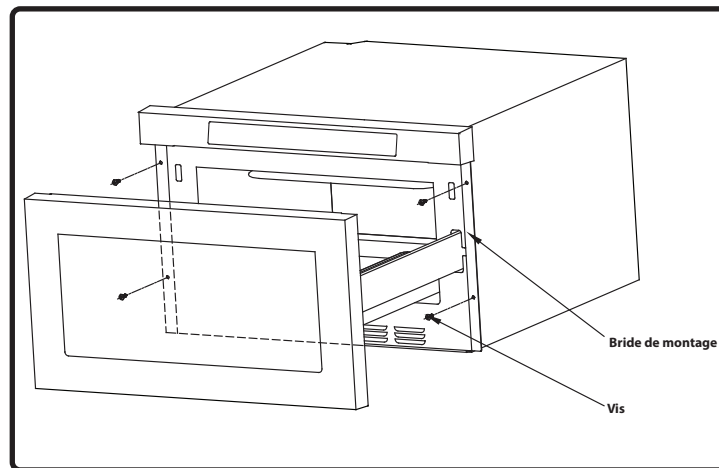


Instructions d'installation

Installation standard

Veillez suivre attentivement les instructions ci-dessous pour installer correctement le tiroir à micro-ondes selon l'installation standard. Lors d'une installation standard, la porte dépasse légèrement de l'armoire.

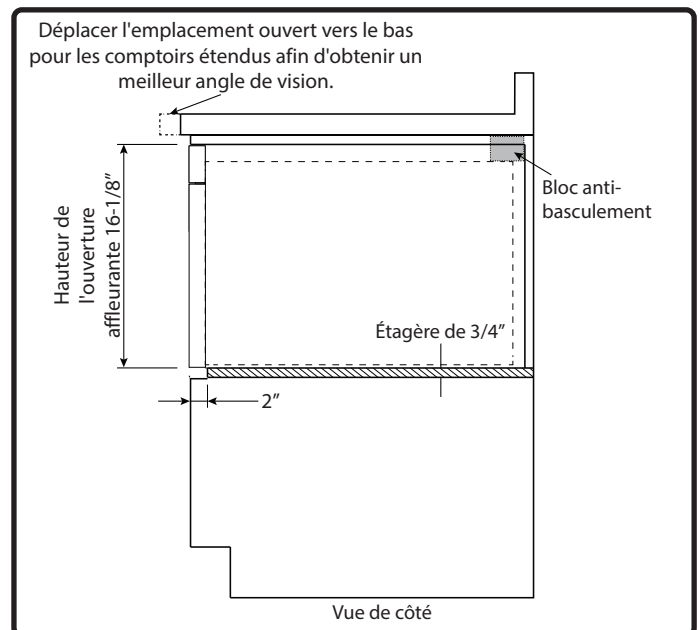
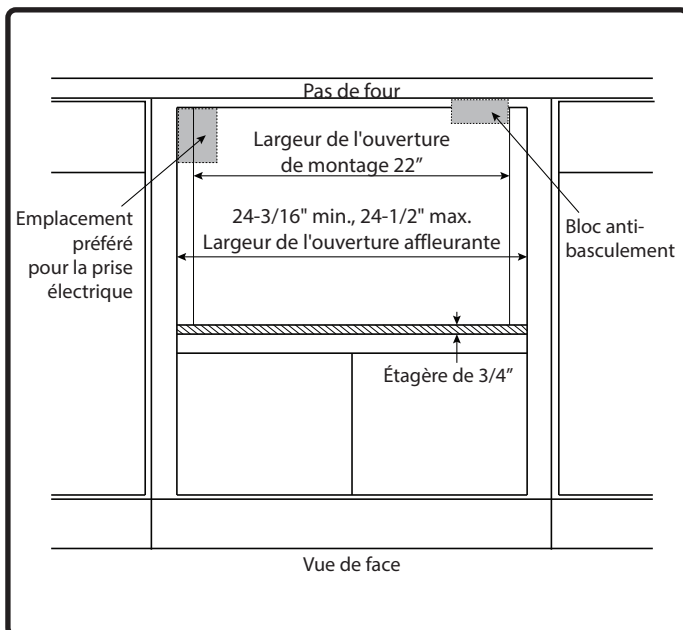
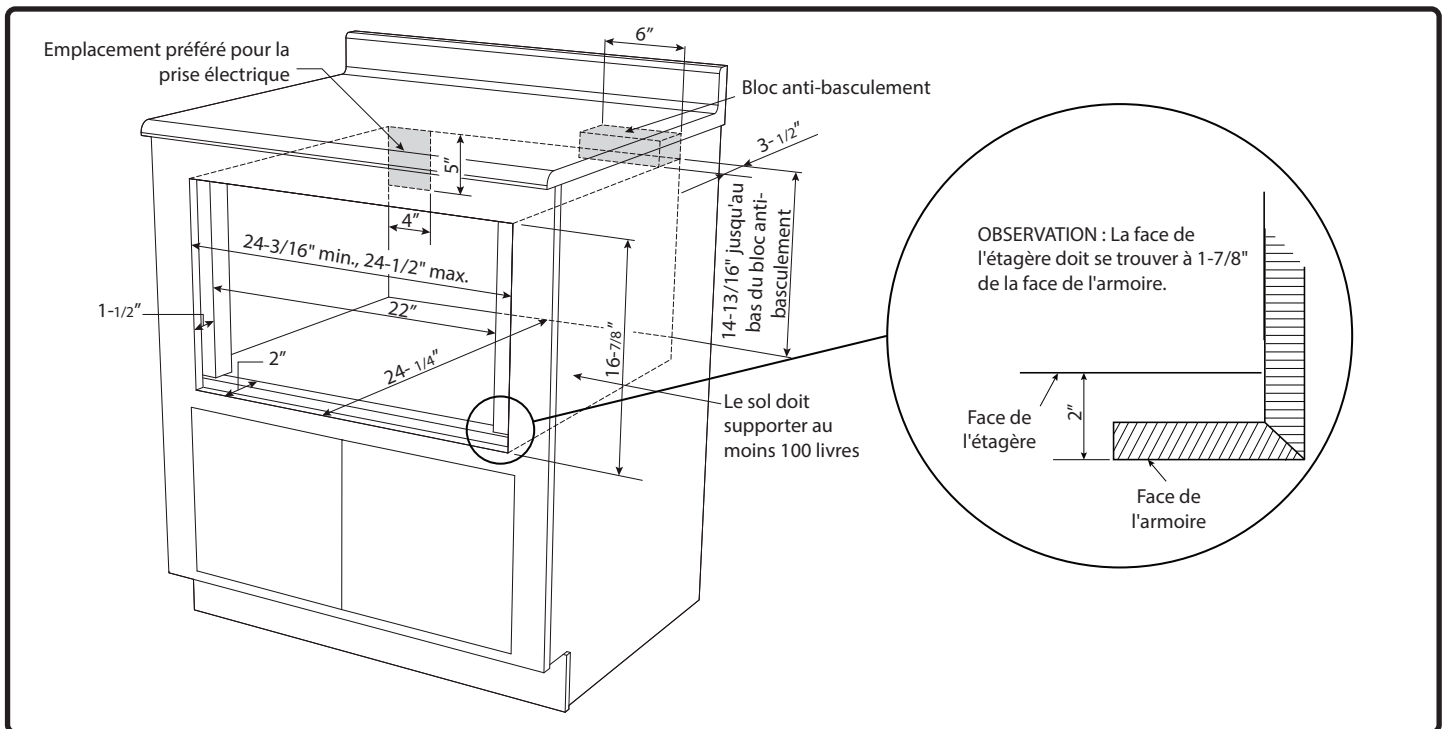
1. Placer le tiroir à micro-ondes à côté du mur ou de l'ouverture de l'armoire. Brancher le câble d'alimentation dans la prise électrique.
2. Introduire avec précaution le tiroir à micro-ondes dans l'ouverture préparée. Éviter de pincer le câble d'alimentation entre le tiroir à micro-ondes et le mur.
3. Faire glisser le tiroir à micro-ondes jusqu'à ce que la bride de montage soit au même niveau que la face du meuble.
4. Ouvrir le tiroir à micro-ondes. Utiliser les 4 trous du tiroir à micro-ondes pour guider le pré-perçage du meuble par une mèche de 1/16".
5. Fixer le tiroir avec (4) vis à tête fraisée Philip M4*16-F.



Installation encastrée

Veillez suivre attentivement les instructions ci-dessous pour installer correctement le tiroir à micro-ondes dans l'armoire.

1. Préparer l'ouverture de l'armoire comme indiqué ci-dessous.



Instructions d'installation

Installation encastrée

2. Placer le tiroir à micro-ondes à côté du mur ou de l'armoire. Brancher le câble d'alimentation dans la prise électrique. Le câble d'alimentation peut également être installé sur une prise électrique dans une armoire adjacente.
3. Entourer le câble d'alimentation électrique d'une ficelle de 36 pouces (ne pas l'attacher) avant de glisser le tiroir en place. Cette ficelle empêchera le câble de tomber derrière le tiroir.
4. Soulever le tiroir à micro-ondes dans la découpe du meuble en se servant de l'ouverture comme prise. Introduire avec précaution le tiroir à micro-ondes dans l'ouverture préparée.
5. Lorsque l'on fait glisser le tiroir à micro-ondes vers l'arrière, il faut tirer sur la ficelle de manière à ce que le câble repose sur le dessus du tiroir en formant une boucle naturelle et éviter de pincer le câble entre le tiroir et le mur.
6. Une fois que le câble est hors de portée, faire glisser le tiroir aux 3/4 dans l'ouverture. Retirer la ficelle en tirant sur l'une des extrémités de la boucle.
7. Faire glisser le tiroir à micro-ondes vers l'arrière jusqu'à ce que les brides de fixation soient alignées avec la face du meuble.
8. Ouvrir le tiroir à micro-ondes. Utiliser les 4 trous du tiroir à micro-ondes pour guider le pré-perçage du meuble par une mèche de 1/16". Voir l'image à la page 16.
9. Fixer le tiroir avec (4) vis à tête fraisée Philip M4*16-F.

Instructions de mise à la terre

Cet appareil doit être mis à la terre. Le tiroir à micro-ondes est équipé d'un câble ayant un fil de terre avec une fiche de mise à la terre. Il doit être branché dans une prise murale correctement installée et mise à la terre conformément au Code national de l'électricité et aux codes et ordonnances locaux. En cas de court-circuit électrique, la mise à la terre réduit le risque de choc électrique en fournissant un fil de fuite pour le courant électrique.



AVERTISSEMENT

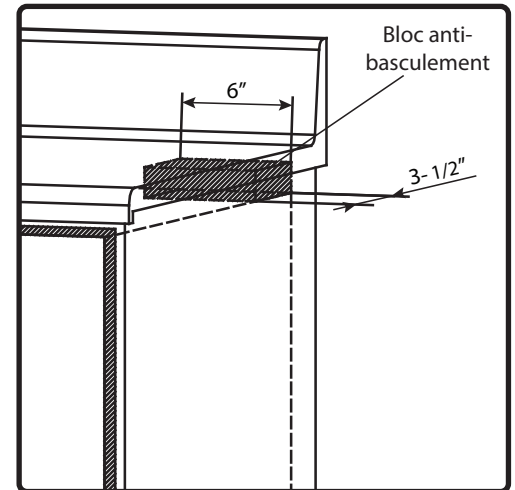


Une utilisation incorrecte de la prise de terre peut entraîner des risques de choc électrique.

Bloc anti-basculement

Pour réduire le risque de basculement du tiroir à micro-ondes et de blessures graves, le bloc anti-basculement doit être correctement installé. Le bloc anti-basculement doit être installé à 14-13/16" au-dessus de la zone où le tiroir à micro-ondes sera placé. Lors de l'installation au mur, assurer que les vis pénètrent complètement dans le mur sec et sont entièrement fixées dans du bois ou du métal afin que le bloc anti-basculement soit complètement stable.

OBSERVATION : Si le tiroir à micro-ondes est déplacé, le bloc anti-basculement doit également être déplacé et réinstallé avec lui.



ATTENTION



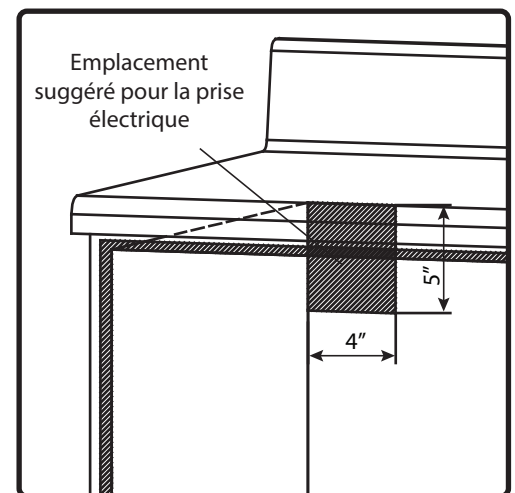
Lors de la fixation du bloc anti-basculement, veillez à ce que les vis ne pénètrent pas dans le câblage électrique ou la plomberie.

Prise électrique

L'alimentation électrique doit être de 120VAC, 60Hz, en courant alternatif uniquement, avec une protection d'au moins 15 ampères. Il est recommandé de prévoir un circuit séparé desservant uniquement cet appareil. Le tiroir est équipé d'une fiche de mise à la terre à trois broches et doit être branché sur une prise murale correctement installée et mise à la terre. Si vous ne disposez que d'une prise à 2 fiches, il vous incombe d'installer une prise murale adéquate.

Le tiroir à micro-ondes peut également être installé en utilisant une prise électrique dans une armoire adjacente dans la zone où le câble électrique fourni peut atteindre. Vérifier toujours les exigences du code de l'électricité.

OBSERVATION : Ne pas utiliser de rallonge ou de prise d'adaptateur avec cet appareil.

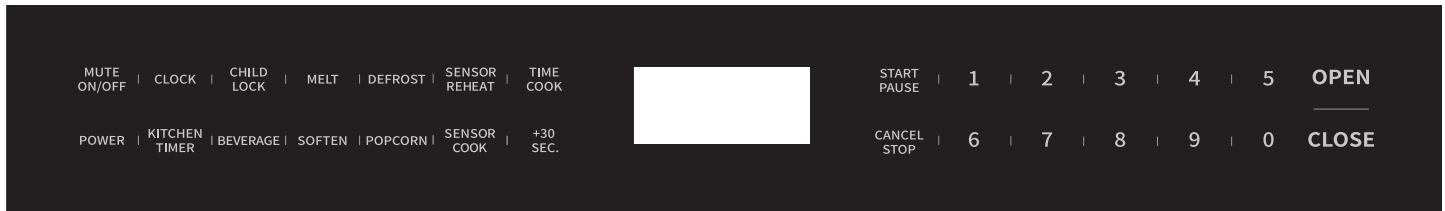


AVERTISSEMENT



Le câblage électrique doit être effectué par une ou des personnes qualifiées, conformément à tous les codes et normes applicables. Couper l'alimentation électrique au niveau de l'entrée de service avant de procéder au câblage.

Utilisation du panneau de commande



MODE VEILLE

Lorsque le tiroir à micro-ondes est branché pour la première fois sur une prise de courant, une alarme se déclenche. L'écran affiche « WELCOME ». Ensuite, le tiroir à micro-ondes se met par défaut en mode veille. Le mode veille est défini comme le fait d'être inactif et de ne pas être utilisé pour la cuisson.

L'écran affiche « 00:00 ». En mode veille, l'écran affiche l'heure actuelle si l'horloge a été réglée. Dans le cas contraire, « 00:00 » s'affiche.

OUVRIR & FERMER

Permet d'ouvrir et de fermer facilement le tiroir à micro-ondes.

1. Appuyer sur le bouton OPEN (OUVRIR) pour ouvrir le tiroir à micro-ondes. L'écran affiche « OPEN ».
2. Appuyer sur le bouton CLOSE (FERMER) pour fermer le tiroir à micro-ondes. L'écran affiche « CLOSE ». L'écran affiche l'heure actuelle ou « 00:00 » lorsque le tiroir à micro-ondes est complètement fermé. Il est également possible de fermer le tiroir du four à micro-ondes en le poussant manuellement.

OBSERVATION : Le tiroir à micro-ondes s'ouvre automatiquement en appuyant sur le bouton OPEN (OUVRIR) et se ferme automatiquement en appuyant sur le bouton CLOSE (FERMER). Cependant, si vous appuyez sur le bouton OPEN (OUVRIR) ou CLOSE (FERMER) pendant ce processus, la porte ne s'ouvrira ou ne se fermera plus. Une nouvelle pression sur le bouton OPEN (OUVRIR) ou CLOSE (FERMER) permet de reprendre le processus.

HORLOGE

L'horloge affiche l'heure sur 12 heures et ne peut être réglée qu'en mode veille. Pour réinitialiser l'horloge, répéter les étapes ci-dessous :

1. Appuyer sur le bouton CLOCK (HORLOGE), et l'écran affiche « 12:00 ».
2. Appuyer sur les touches numériques pour entrer l'heure correcte. L'heure d'entrée doit être comprise entre 1:00 et 12:59.
3. Appuyer sur CLOCK (HORLOGE) ou START/PAUSE (DÉMARRAGE/MISE EN PAUSE) pour terminer le réglage, indiqué par un « : » clignotant.
 - Si vous appuyez sur le bouton CANCEL/STOP (ANNULER/ARRÊTER) ou si vous attendez une minute pendant le réglage de l'horloge, le tiroir à micro-ondes reviendra à l'heure précédente.

MINUTEUR DE CUISINE

Permet de suivre l'évolution de la cuisson sur une longue période.

1. Appuyer une fois sur le bouton KITCHEN TIMER (MINUTEUR DE CUISINE) pour que l'écran affiche « 00:00 ».
2. Appuyer sur les touches numériques pour entrer l'heure. La valeur maximale du temps est de 99:99.
3. Appuyer sur les boutons START/PAUSE (DÉMARRAGE/MISE EN PAUSE) ou KITCHEN TIMER (MINUTEUR DE CUISINE) pour confirmer le réglage. Le compte à rebours de la minuterie commence. Lorsque la minuterie est terminée, une alarme retentit et l'écran affiche « TIMER DONE ».
4. Appuyer sur le bouton KITCHEN TIMER (MINUTEUR DE CUISINE) pour désactiver l'alarme.
 - ▶ Le minuteur de cuisine est un simple minuteur, pas une horloge.
 - ▶ Une pression sur le bouton CANCEL/STOP (ANNULER/ARRÊTER) pendant le réglage de la minuterie l'annule.

MUET ON/OFF

1. Appuyer une fois sur le bouton MUTE ON/OFF (MUET ON/OFF). Un bip retentit et l'écran affiche « MUTE ON », indiquant que les alarmes sont désormais mises en sourdine.
2. Appuyer à nouveau sur le bouton MUTE ON/OFF (MUET ON/OFF). Un signal sonore retentit et l'écran affiche « MUTE OFF », indiquant que les alarmes retentissent à présent.

PUISSANCE

Il vous permet d'ajuster les niveaux de puissance lors de la cuisson de votre contenu et vous aide à éviter la surcuisson ou la sous-cuisson. Les niveaux de puissance variables offrent une grande polyvalence dans la cuisson aux micro-ondes. Le choix d'un niveau de puissance inférieur peut permettre d'améliorer les saveurs, les textures ou l'apparence des produits. Des niveaux de puissance plus élevés permettent de cuire les aliments plus rapidement, mais peuvent nécessiter un brassage, une rotation ou un retournement plus fréquents.

Des périodes de repos occasionnelles pendant la cuisson du contenu permettront à la chaleur de se répartir et de s'égaliser.

1. Appuyer une fois sur le bouton POWER (PUISSANCE) pour régler la puissance de cuisson du tiroir à micro-ondes.
2. Appuyer sur les touches numériques ou appuyer plusieurs fois sur le bouton POWER (PUISSANCE) pour sélectionner le niveau de puissance souhaité. Le niveau de puissance par défaut est PL-10.
3. Appuyez sur le bouton TIME COOK pour régler le temps de cuisson avant.
4. Appuyez sur le bouton START/PAUSE pour lancer le processus de cuisson. Le tiroir du micro-ondes cuisinera au niveau de puissance réglé.
 - ▶ Le niveau de puissance peut être modifié pendant la cuisson. Appuyer sur le bouton POWER (PUISSANCE) et la puissance actuelle s'affichera à l'écran pendant 5 secondes. Appuyer sur les touches numériques ou appuyer plusieurs fois sur le bouton POWER (PUISSANCE) pour sélectionner le niveau de puissance souhaité.

Niveau	10	9	8	7	6	5	4	3	2	1
Puissance	100%	90%	80%	70%	60%	50%	40%	30%	20%	10%
Affichage	PL-10	PL-9	PL-8	PL-7	PL-6	PL-5	PL-4	PL-3	PL-2	PL-1

Fonctionnement de l'appareil

Cuisson, décongélation et fonctions automatiques

TEMPS DE CUISSON

1. Appuyer une fois sur le bouton TIME COOK (TEMPS DE CUISSON) pour que l'écran affiche « :0 ».
2. Entrer le temps de cuisson souhaité par des touches numériques. La valeur maximale du temps de cuisson est de 99:99.
3. Appuyer sur le bouton START/PAUSE (DÉMARRAGE/MISE EN PAUSE) pour démarrer la cuisson. Le compte à rebours du temps de cuisson commence. Une alarme retentit et l'écran affiche « FOOD IS READY » une fois la cuisson terminée.
 - ▶ L'ouverture du tiroir à micro-ondes ou l'appui sur le bouton START/PAUSE (DÉMARRAGE/MISE EN PAUSE) pendant la cuisson interrompt le processus de cuisson.

+30 SECONDES

1. Appuyer sur le bouton +30.SEC (+ 30 SECONDES) pour commencer immédiatement la cuisson à 100% pendant 30 secondes. Chaque pression augmente le temps de cuisson de 30 secondes. La valeur maximale du temps de cuisson est de 99:99.
 - ▶ Si vous utilisez la minuterie de cuisine, appuyez sur le bouton +30 SEC. (+ 30 SECONDES) pour augmenter la minuterie de cuisine de 30 secondes.
 - ▶ Si vous utilisez les sélections du menu automatique ou si vous décongelez en fonction du temps, une pression sur le bouton +30 SEC. (+ 30 SECONDES) augmentera leur temps de cuisson de 30 secondes.

CUISSON EXPRESS (TOUCHES NUMÉRIQUES)

La cuisson express est un moyen rapide de régler le temps de cuisson entre 1 et 5 minutes à l'aide des touches numériques et n'est utilisable qu'en mode veille.

1. Appuyer sur les touches numériques pour commencer immédiatement la cuisson à 100% de la puissance pour des durées de 1 à 5 minutes en sélectionnant 1, 2, 3, 4 ou 5 pour votre temps de cuisson respectif. Le compte à rebours du temps de cuisson commence.

DÉCONGÉLATION

Permet une décongélation efficace et rapide du contenu congelé pendant une durée déterminée. Une fois la décongélation terminée, le contenu doit être froid mais ramolli uniformément dans toutes ses parties. Si certaines zones sont encore légèrement glacées, replacer le contenu dans le tiroir à micro-ondes ou laisser reposer quelques minutes pour qu'il dégèle naturellement.

Décongélation en fonction du poids

1. Appuyer une fois sur le bouton DEFROST (DÉCONGÉLATION) pour que l'écran affiche « WEIGHT ».
2. Appuyer sur les touches numériques pour entrer le poids du contenu à décongeler.

3. Appuyer sur le bouton START/PAUSE (DÉMARRAGE/MISE EN PAUSE) pour lancer la décongélation. Le compte à rebours du temps de décongélation commence.
Une fois l'opération terminée, l'alarme retentit et l'écran affiche « FOOD IS READY ».
 - ▶ Le poids du contenu doit être compris entre 0,1 et 6,0 livres.
 - ▶ Une alarme retentit pour vous rappeler de retourner le contenu pendant la décongélation.

Décongélation en fonction du temps

1. Appuyer deux fois sur le bouton DEFROST (DÉCONGÉLATION) pour que l'écran affiche « TIME ».
2. Appuyer sur les touches numériques pour entrer le temps de décongélation. La valeur maximale du temps est de 99:99.
3. Appuyer sur le bouton START/PAUSE (DÉMARRAGE/MISE EN PAUSE) pour lancer la décongélation. Le compte à rebours du temps de décongélation commence.
Une fois l'opération terminée, l'alarme retentit et l'écran affiche « FOOD IS READY ».
 - ▶ La puissance de dégivrage par défaut est de 30% (PL-3).
 - ▶ Une alarme retentit pour vous rappeler de retourner le contenu pendant la décongélation.

MENU AUTOMATIQUE (BOISSON, POP-CORN, RAMOLLIR, FONDRE)

Les fonctions du menu automatique sont des réglages préprogrammés qui simplifient la cuisson ou le réchauffage sans avoir à régler manuellement les niveaux de puissance et les temps de cuisson.

Boisson

1. Appuyer une fois sur le bouton BEVERAGE (BOISSON) pour que l'écran affiche « 1 CUP ».
2. Sélectionner les touches numériques 1 ou 2 ou appuyer plusieurs fois sur le bouton BEVERAGE (BOISSON) pour afficher « 1 CUP » ou « 2 CUPS ».
3. Appuyer sur le bouton START/PAUSE (DÉMARRAGE/MISE EN PAUSE) pour démarrer la cuisson. Le compte à rebours du temps de cuisson commence. Une fois l'opération terminée, l'alarme retentit et l'écran affiche « FOOD IS READY ».

Pop-corn

1. Appuyer une fois sur le bouton POPCORN (POP-CORN) pour que l'écran affiche « 1.75OZ ».
2. Continuer à appuyer sur le bouton POPCORN (POP-CORN) pour alterner entre l'affichage de « 1.75OZ », « 3.0OZ » ou « 3.5OZ ».
3. Appuyer sur le bouton START/PAUSE (DÉMARRAGE/MISE EN PAUSE) pour démarrer la cuisson. Le compte à rebours du temps de cuisson commence. Une fois l'opération terminée, l'alarme retentit et l'écran affiche « FOOD IS READY ».

Fonctionnement de l'appareil

Amollir

1. Appuyer une fois sur le bouton SOFTEN (AMOLLIR). L'écran affiche « SELECT FOOD TYPE 1-3 ».
2. Sélectionner 1, 2 ou 3 par des touches numériques ou appuyer de manière répétée sur le bouton SOFTEN (AMOLLIR) pour alterner entre l'écran affichant « BUTTER », « ICE-CRE » ou « CHEESE ».
3. Appuyer sur le bouton START/PAUSE (DÉMARRAGE/MISE EN PAUSE) pour confirmer la sélection.
4. Appuyer plusieurs fois sur le bouton SOFTEN (AMOLLIR) ou appuyer sur 1, 2 ou 3 à partir des touches numériques pour sélectionner le poids.
5. Appuyer sur le bouton START/PAUSE (DÉMARRAGE/MISE EN PAUSE) pour démarrer la cuisson. Le compte à rebours du temps de cuisson commence. Une fois l'opération terminée, l'alarme retentit et l'écran affiche « FOOD IS READY ».

Menu	Affichage	Presses répétées	Poids
Beurre	BUTTER	1	1 (COLLAGE)
		2	2 (COLLAGE)
		3	3 (COLLAGE)
Crème glacée/jus congelé	ICE-CRE	1	8 oz
		2	16 oz
		3	32 oz
Fromage à la crème	CHEESE	1	3 oz
		2	8 oz

Fondre

1. Appuyer une fois sur le bouton MELT (FONDRE). L'écran affiche « SELECT FOOD TYPE 1-4 ».
2. Sélectionner 1, 2, 3 ou 4 par des touches numériques ou appuyer de manière répétée sur le bouton MELT (FONDRE) pour alterner entre l'écran affichant « BUTTER », « CHOCOLA », « CHEESE » ou « MARSHMA ».
3. Appuyer sur le bouton START/PAUSE (DÉMARRAGE/MISE EN PAUSE) pour confirmer la sélection.
4. Appuyer plusieurs fois sur le bouton MELT (FONDRE) ou appuyer sur 1, 2 ou 3 pour sélectionner le poids.
5. Appuyer sur le bouton START/PAUSE (DÉMARRAGE/MISE EN PAUSE) pour démarrer la cuisson. Le compte à rebours du temps de cuisson commence. Une fois l'opération terminée, l'alarme retentit et l'écran affiche « FOOD IS READY ».

Menu	Affichage	Presses répétées	Poids
Beurre/Margarine	BUTTER	1	1 (COLLAGE)
		2	2 (COLLAGE)
		3	3 (COLLAGE)
Chocolat	CHOCOLA	1	4 oz
		2	8 oz
Fromage	CHEESE	1	8 oz
		2	16 oz
Guimauves	MARSHMA	1	5 oz
		2	10 oz

Caractéristiques du capteur

Les capteurs du tiroir à micro-ondes détectent et ajustent automatiquement les réglages de cuisson en fonction du contenu à cuire. Cela permet de simplifier la cuisson ou le réchauffage sans avoir à régler manuellement les niveaux de puissance et les temps de cuisson.

OBSERVATION : Ne pas utiliser les fonctions du capteur consécutivement sur le même contenu, car il pourrait être trop cuit ou brûlé. Laisser le tiroir à micro-ondes refroidir pendant 5 à 10 minutes avant d'utiliser à nouveau la fonction de détection. Si le contenu n'est toujours pas assez cuit après le compte à rebours, utiliser le bouton TIME COOK (TEMPS DE CUISSON) pour une cuisson supplémentaire.

RÉCHAUFFAGE PAR CAPTEUR

1. Appuyer une fois sur le bouton SENSOR REHEAT (RÉCHAUFFAGE PAR CAPTEUR). L'écran affiche « SELECT SENSOR FOOD TYPE 1-4 ».
2. Sélectionner 1, 2, 3 ou 4 par des touches numériques ou appuyer de manière répétée sur le bouton SENSOR REHEAT (RÉCHAUFFAGE PAR CAPTEUR) pour passer de l'écran affichant « PASTA », « PIZZA », « PLATE » ou « SOUP ».
3. Appuyer sur le bouton START/PAUSE (DÉMARRAGE/MISE EN PAUSE) pour que le tiroir à micro-ondes commence à sentir.
4. Une fois la détection terminée, le compte à rebours du temps de cuisson calculé commence. L'alarme retentit et l'écran affiche « FOOD IS READY » lorsque la cuisson est terminée.
 - ▶ Ne pas ouvrir la porte pendant le processus de détection, sinon il sera annulé.
 - ▶ Une fois que le temps de cuisson calculé est affiché, la porte peut être ouverte pour remuer, tourner ou réarranger le contenu. Fermer la porte et appuyer sur le bouton START/PAUSE (DÉMARRAGE/MISE EN PAUSE) pour reprendre la cuisson.

Menu	Affichage	Presses répétées	Gamme de poids
Pâtes	PASTA	1	1-4 portions (4 oz/serv)
Pizza	PIZZA	2	1-4 tranches (2 oz/tranche)
Assiette	PLATE	3	1 portion
Soupe	SOUP	4	1-4 portions (4 oz/serv)

Fonctionnement de l'appareil

CUISSON PAR CAPTEUR

1. Appuyer une fois sur le bouton SENSOR COOK (CUISSON PAR CAPTEUR). L'écran affiche « SELECT SENSOR FOOD TYPE 1-7 ».
2. Sélectionner 1 à 7 ou appuyer de manière répétée sur le bouton SENSOR COOK (CUISSON PAR CAPTEUR) pour choisir parmi une variété d'options : POMME DE TERRE, POULET, POISSON, VIANDE, LÉGUMES FRAIS, LÉGUMES SURGELÉS ET LÉGUMES EN CONSERVE.
3. Appuyer sur le bouton START/PAUSE (DÉMARRAGE/MISE EN PAUSE) pour que le tiroir à micro-ondes commence à sentir.
4. Une fois la détection terminée, le compte à rebours du temps de cuisson calculé commence. L'alarme retentit et l'écran affiche « FOOD IS READY » lorsque la cuisson est terminée.
 - ▶ Ne pas ouvrir la porte pendant le processus de détection, sinon il sera annulé.
 - ▶ Une fois que le temps de cuisson calculé est affiché, la porte peut être ouverte pour remuer, tourner ou réarranger le contenu. Fermer la porte et appuyer sur le bouton START/PAUSE (DÉMARRAGE/MISE EN PAUSE) pour reprendre la cuisson.

Menu	Affichage	Presses répétées	Gamme de poids
Pommes de terre (capteur)	POTATO	1	1-4 pommes de terre
Poulet	CHICKEN	2	1-4 portions (4 oz/serv)
Poisson	FISH	3	1-4 tranches (4 oz/tranche)
Viande hachée	MEAT	4	1-4 portions (4 oz/serv)
Légumes frais	FRES-VE	5	1-4 portions (4 oz/serv)
Légumes surgelés	FROZ-VE	6	1-4 tranches (4 oz/tranche)
Légumes en conserve	CANN-VE	7	1-4 portions (4 oz/serv)

Autres fonctions

SÉCURITÉ ENFANTS

- ▶ Pour activer le verrouillage, appuyer sur le bouton CHILD LOCK (SÉCURITÉ ENFANTS) pendant 3 secondes. Un bip retentit et l'icône de verrouillage s'affiche.
- ▶ Pour désactiver le verrouillage, appuyer sur le bouton CHILD LOCK (SÉCURITÉ ENFANTS) pendant 3 secondes. Un bip sonore est émis et l'icône de verrouillage disparaît.

MODE ÉCONOMIE

- ▶ Le mode ÉCONOMIE est défini comme un mode d'économie d'énergie. Si aucune opération n'est effectuée dans un délai d'une minute, l'écran s'éteint. Le fait d'appuyer sur un bouton ou d'ouvrir la porte ramène l'affichage à sa luminosité d'origine.

FONCTION DE CONTRÔLE

- ▶ Pendant la cuisson, appuyer sur le bouton CLOCK (HORLOGE) pour vérifier l'heure. L'heure actuelle s'affiche jusqu'à ce que le bouton soit relâché.
- ▶ Pendant la cuisson, appuyer sur le bouton POWER (PUISSANCE) pour vérifier le niveau de puissance du tiroir à micro-ondes. La puissance actuelle s'affiche pendant 5 secondes.

Sans danger pour les micro-ondes

Vous trouverez ci-dessous une liste d'articles considérés comme pouvant être passés aux micro-ondes moyennant des précautions adéquates. Si vous n'êtes pas sûr de la sécurité de l'article, un test peut être effectué :

1. Remplir un récipient adapté aux micro-ondes avec une tasse d'eau froide et l'article à tester.
2. Chauffer les deux éléments à puissance maximale pendant 1 minute. Ne pas dépasser la durée de cuisson d'une minute.
3. Ensuite, palper soigneusement l'objet testé. Si l'article est chaud, ne pas l'utiliser pour la cuisson aux micro-ondes.

Article	Observations
Ustensiles de brunissage	Suivre les instructions du fabricant. Le fond du plat à brunir doit se trouver à au moins 3/16" au-dessus du plateau tournant. Une utilisation incorrecte peut entraîner l'endommagement du plateau tournant.
Vaisselle	Suivre les instructions du fabricant. Utiliser uniquement de la vaisselle adaptée aux micro-ondes. Ne pas utiliser de vaisselle cassée ou endommagée.
Récipients en verre	Retirer toujours le couvercle. Uniquement pour réchauffer légèrement la nourriture. De nombreux récipients en verre ne sont pas résistants à la chaleur et peuvent se briser.
Ustensiles en verre	Utiliser uniquement des verres à four résistants à la chaleur. Assurer qu'il n'y a pas de garniture métallique. Ne pas utiliser de verres fissurés ou ébréchés.
Sacs et pochettes de cuisson pour micro-ondes	Suivre les instructions du fabricant. Ne pas fermer un fermoir métallique. Percer de petits trous pour que la vapeur puisse s'échapper.
Assiettes et gobelets en carton	À utiliser uniquement pour la cuisson et le réchauffement à court terme. Ne pas laisser le tiroir à micro-ondes sans surveillance pendant la cuisson.
Serviette en papier	À utiliser pour couvrir les aliments à réchauffer et absorber les graisses. À utiliser uniquement pour la cuisson et le réchauffement à court terme.
Papier parchemin	À utiliser comme couvercle pour éviter les éclaboussures ou comme enveloppe pour la cuisson à la vapeur.
Papier paraffiné	À utiliser comme couvercle pour éviter les éclaboussures.
Articles en plastique	Suivre les instructions du fabricant. Utiliser uniquement du plastique compatible avec les micro-ondes. Il devrait être étiqueté « Microwave Safe ». Certains articles en plastique se ramollissent lorsque leur contenu se réchauffe. Les « sacs à bouillir » et les sacs en plastique fermés hermétiquement doivent être fendus, percés ou ventilés conformément aux instructions figurant sur l'emballage.
Thermomètres	Utiliser uniquement des thermomètres adaptés aux micro-ondes (thermomètres à viande et à bonbons).

Entretien et Maintenance

Articles dangereux à passer aux micro-ondes

Vous trouverez ci-dessous une liste d'articles considérés comme dangereux pour le four à micro-ondes et qu'il est préférable d'éviter afin d'éviter les blessures et d'endommager le tiroir à micro-ondes.

Article	Observations
Aluminium	Un arc électrique peut être causé. Transférer les aliments dans un récipient adapté aux micro-ondes.
Carton alimentaire avec support métallique	Un arc électrique peut être causé. Transférer les aliments dans un récipient adapté aux micro-ondes.
Récipients en métal ou garnis de métal	Le métal protège les aliments de l'énergie des micro-ondes. Les garnitures métalliques peuvent provoquer des arcs électriques.
Attaches torsadées en métal	Peut provoquer des arcs électriques et un incendie dans le tiroir à micro-ondes.
Sacs en papier	Peut provoquer un incendie dans le tiroir à micro-ondes.
Mousse plastique	Peut fondre ou contaminer le contenu lorsqu'il est exposé à des températures élevées.
Bois	Peut se dessécher et éventuellement se fendre ou se craqueler.

Nettoyage de l'unité

Un nettoyage périodique et un entretien adéquat garantissent l'efficacité, des performances optimales et une longue durée de vie.

Nettoyage intérieur : Vapeur

1. Remplir un bol allant aux micro-ondes d'un mélange d'eau et de quelques cuillères à soupe de vinaigre ou de jus de citron.
2. Placer le bol dans le tiroir à micro-ondes et chauffer pendant 5 à 10 minutes pour créer de la vapeur.
3. Laisser le tiroir à micro-ondes reposer quelques minutes après l'avoir chauffé. La vapeur permet de décoller les aliments séchés.
4. Essuyer l'intérieur du tiroir à micro-ondes avec un chiffon propre jusqu'à ce qu'il soit propre.

Nettoyage intérieur : Savon de vaisselle

1. Mélanger quelques gouttes de produit vaisselle doux à de l'eau tiède.
2. Utiliser une éponge douce pour enlever les éclaboussures grasses.
3. Essuyer l'intérieur du tiroir à micro-ondes avec un chiffon propre jusqu'à ce qu'il soit propre.

OBSERVATION : Ne jamais utiliser de nettoyeur commercial pour four sur une quelconque partie du tiroir à micro-ondes.

Nettoyage extérieur

L'extérieur du tiroir à micro-ondes peut être nettoyé avec un détergent doux et une solution d'eau tiède telle que deux (2) cuillères à soupe de bicarbonate de soude pour une (1) pinte d'eau. Ne pas utiliser de nettoyeurs à base de solvants ou abrasifs. Utiliser une éponge douce et rincer à l'eau claire. Essuyer avec une serviette douce et propre pour éviter les taches d'eau. Nettoyer l'acier inoxydable avec un chiffon imbibé d'une solution de détergent doux et d'eau tiède. Ne jamais utiliser un produit de nettoyage abrasif ou caustique.

Dépannage

Problèmes possibles	Causes possibles	Solutions
Le tiroir à micro-ondes ne fonctionne pas.	Non branché.	Assurer que le tiroir à micro-ondes est branché et que la prise de courant est alimentée.
	Le disjoncteur s'est déclenché ou le fusible a sauté.	Remplacer le fusible cassé ou réinitialiser le disjoncteur.
Le tiroir à micro-ondes produit des arcs électriques ou des étincelles.	Des matériaux dangereux ont été utilisés dans le tiroir à micro-ondes.	Utiliser uniquement des produits compatibles avec les micro-ondes.
	Le tiroir à micro-ondes a été actionné alors qu'il n'y avait pas de contenu à l'intérieur.	Ne pas faire fonctionner le tiroir à micro-ondes lorsqu'il est vide.
	Le contenu renversé reste dans la cavité du tiroir à micro-ondes.	Nettoyer la cavité en suivant les instructions de la section Nettoyage de l'appareil.
Le contenu n'est pas uniformément cuit.	Des matériaux dangereux ont été utilisés dans le tiroir à micro-ondes.	Utiliser uniquement des produits compatibles avec les micro-ondes.
	Le contenu des aliments n'a pas été complètement décongelé.	Décongeler complètement le contenu des aliments.
	Le temps de cuisson et le niveau de puissance n'étaient pas adaptés.	Appliquer le temps de cuisson et le niveau de puissance appropriés.
	Le contenu des aliments n'a pas été tourné, remué ou retourné.	Tourner, remuer ou faire pivoter les aliments et recuire.
Le contenu est trop cuit.	Le temps de cuisson et le niveau de puissance n'étaient pas adaptés.	Appliquer le temps de cuisson et le niveau de puissance appropriés.
Le contenu n'est pas assez cuit.	Des matériaux dangereux ont été utilisés dans le tiroir à micro-ondes.	Utiliser uniquement des produits compatibles avec les micro-ondes.
	Le contenu des aliments n'a pas été complètement décongelé.	Décongeler complètement le contenu des aliments.
	Le temps de cuisson et le niveau de puissance n'étaient pas adaptés.	Appliquer le temps de cuisson et le niveau de puissance appropriés.
	Les orifices de ventilation du tiroir à micro-ondes sont restreints.	Vérifier que les orifices de ventilation du tiroir à micro-ondes ne sont pas obstrués.
Le contenu n'est pas correctement décongelé.	Des matériaux dangereux ont été utilisés dans le tiroir à micro-ondes.	Utiliser uniquement des produits compatibles avec les micro-ondes.
	Le temps de cuisson et le niveau de puissance n'étaient pas adaptés.	Appliquer le temps de cuisson et le niveau de puissance appropriés.
	Le contenu des aliments n'a pas été tourné, remué ou retourné.	Tourner, remuer ou faire pivoter les aliments et recuire.

Zephyr Ventilation, LLC (ci-après dénommée « nous ») garantit à l'acheteur original (ci-après dénommé « vous ») des produits Zephyr (ci-après dénommés « les produits ») que ces produits sont exempts de défauts de matériaux ou de fabrication, comme suit :

Garantie limitée d'un an pour les pièces : Pendant un an à compter de la date d'achat initial des produits, nous fournirons gratuitement des produits ou des pièces (y compris des ampoules, le cas échéant) pour remplacer ceux qui sont défectueux en raison de défauts de fabrication, sous réserve des exclusions et des limitations ci-dessous. Nous pouvons choisir, à notre seule discrétion, de réparer ou de remplacer des pièces avant de choisir de remplacer les produits.

Garantie limitée d'un an pour la main d'œuvre : Pendant un an à compter de la date d'achat initial des produits, nous fournirons gratuitement le coût de la main-d'œuvre associé à la réparation des produits ou des pièces pour remplacer celles qui sont défectueuses en raison de défauts de fabrication, sous réserve des exclusions et des limitations ci-dessous.

Pour obtenir un service dans le cadre de la garantie limitée : Pour bénéficier du service de garantie, vous devez : (a) nous notifier à www.zephyronline.com/contact dans un délai de 60 jours après la découverte du défaut ; (b) indiquer le numéro de modèle et le numéro de série ; et (c) décrire la nature de tout défaut du produit ou de la pièce. Au moment de la demande de service de garantie, vous devez présenter votre preuve d'achat et la preuve de la date d'achat d'origine. Si nous déterminons que les exclusions de garantie énumérées ci-dessus s'appliquent ou si vous ne fournissez pas la documentation nécessaire pour obtenir un service, vous serez responsable de tous les frais d'expédition, de déplacement, de main-d'œuvre et autres coûts liés aux services. Cette garantie n'est pas prolongée ou réactivée en cas de réparation ou de remplacement sous garantie.

Exclusions de la garantie : Cette garantie ne couvre que la réparation ou le remplacement, à notre discrétion, des produits ou pièces défectueux et ne couvre pas les autres coûts liés aux produits, y compris mais sans s'y limiter : (a) l'entretien et le service normaux requis pour les produits et les pièces consommables telles que les filtres, les ampoules, les fusibles ; (b) tout produit ou pièce ayant subi des dommages dus au transport, à une mauvaise utilisation, à la négligence, à un accident, à une installation défectueuse ou contraire aux instructions d'installation recommandées, à un entretien ou à une réparation inappropriés (autres que ceux effectués par nous) ; (c) l'utilisation commerciale ou gouvernementale des produits ou une utilisation non conforme à l'usage prévu ; (d) l'usure naturelle de la finition des produits ou l'usure causée par un mauvais entretien, l'utilisation de produits de nettoyage corrosifs et abrasifs, de tampons et de nettoyeurs pour four ; (e) les ébrèchures, les bosses ou les fissures causées par un abus ou une mauvaise utilisation des produits ; (f) les déplacements du service à votre domicile pour vous apprendre à utiliser les produits ; (g) les dommages causés aux produits par un accident, un incendie, une inondation, une catastrophe naturelle ; ou (h) les installations ou les modifications personnalisées qui ont une incidence sur la facilité d'entretien des produits. (I) Les dommages aux biens personnels ou la détérioration des aliments résultant de l'utilisation de ce produit. Si vous vous trouvez en dehors de notre zone de service, des frais supplémentaires peuvent s'appliquer pour les frais d'expédition en vue d'une réparation sous garantie dans nos points de service désignés et pour les frais de déplacement d'un technicien à votre domicile pour réparer, retirer ou réinstaller les produits. Après la première année à compter de la date d'achat, vous êtes également responsable de tous les frais de main-d'œuvre liés à cette garantie. Tous les produits doivent être installés par un installateur professionnel qualifié pour pouvoir bénéficier des réparations ou du service de garantie.

Limitations de la garantie : NOTRE OBLIGATION DE RÉPARER OU DE REMPLACER, SELON NOTRE CHOIX, SERA VOTRE SEUL ET UNIQUE RECOURS DANS LE CADRE DE CETTE GARANTIE. NOUS NE SOMMES PAS RESPONSABLES DES DOMMAGES ACCESSOIRES, INDIRECTS OU SPÉCIAUX RÉSULTANT DE L'UTILISATION OU DE LA PERFORMANCE DES PRODUITS. LES GARANTIES EXPRESSES DE LA SECTION PRÉCÉDENTE SONT EXCLUSIVES ET REMPLACENT TOUTES LES AUTRES GARANTIES EXPRESSES. NOUS DÉCLINONS ET EXCLUONS PAR LA PRÉSENTE TOUTE AUTRE GARANTIE EXPRESSE POUR LES PRODUITS, AINSI QUE TOUTE GARANTIE IMPLICITE EN VERTU DE LA LOI, Y COMPRIS LES GARANTIES DE QUALITÉ MARCHANDE ET D'ADÉQUATION À UN USAGE PARTICULIER. Certains États ou provinces n'autorisent pas la limitation de la durée d'une garantie implicite ou l'exclusion ou la limitation des dommages accessoires ou indirects, de sorte que les limitations ou exclusions susmentionnées peuvent ne pas s'appliquer à vous. Dans la mesure où la législation applicable interdit l'exclusion des garanties implicites, la durée de toute garantie implicite applicable est limitée aux mêmes périodes de deux ans et d'un an décrites ci-dessus si la législation applicable le permet. Toute description orale ou écrite des produits a pour seul but d'identifier les produits et ne doit pas être interprétée comme une garantie expresse. Avant d'utiliser, de mettre en œuvre ou de permettre l'utilisation des produits, vous devez déterminer si les produits conviennent à l'utilisation prévue et vous devez assumer tous les risques et toutes les responsabilités liés à cette détermination. Nous nous réservons le droit d'utiliser des pièces ou des produits remis à neuf ou reconditionnés, fonctionnellement équivalents, en remplacement des produits sous garantie ou dans le cadre du service de garantie. Cette garantie n'est pas transférable de l'acheteur d'origine et ne s'applique qu'au domicile du consommateur où le produit a été installé à l'origine, aux États-Unis et au Canada. Cette garantie n'est pas étendue aux revendeurs.

Veuillez consulter notre site web pour toute information supplémentaire sur les produits, www.zephyronline.com.
Pour toute demande de garantie, veuillez nous contacter à l'adresse suivante : www.zephyronline.com/contact

NOV23.0101

Enregistrement du produit

N'oubliez pas de vous inscrire votre produit Zephyr !

Félicitations pour l'achat de votre Zephyr ! Veuillez prendre un moment pour enregistrer votre nouveau produit.



Inscription

zephyronline.com/registration

Pourquoi est-ce important ?

Une inscription rapide est utile à plus d'un titre :

- Assure la couverture de la garantie en cas de besoin d'entretien
- Vérification de la propriété à des fins d'assurance
- Notification des modifications ou des rappels de produits



Commentaire

qrs.ly/c7ea9sj

Voulez-vous laisser un commentaire ?

Pendant que vous y êtes, laissez un commentaire pour nous dire à quel point vous aimez votre produit.

Recherchez votre *numéro de modèle Zephyr* dans la barre de navigation supérieure

ZEPHYR zephyronline.com | 2277 Harbor Bay Pkwy. | Alameda, CA 94520