

One of our founding models, Typhoon is not only good looking but packed with powerful, virtually noise-free 850-CFM blowers. It includes a convenient self-cleaning system along with tri-level LumiLight LED lights that

invite you and your guests to a warm respite from the everyday. Available in black, white and stainless steel. Now with Quiet Speed Setting (QSS) and ACT™ technology.

ACT™

|                   | INTERNAL BLOWER STANDARD | INTERNAL BLOWER with ACT™ AIRFLOW CONTROL TECHNOLOGY™* |           |
|-------------------|--------------------------|--|-----------|
| Min. - Max. CFM   | 250 - 850                | 250 - 390  | 250 - 290 |
| Min. - Max. Sones | 0.9 - 5                  | 0.9 - 2.5  | 0.9 - 1.5 |

\*AIRFLOW CONTROL TECHNOLOGY™ (ACT™) is an exclusive feature built into specific Zephyr hoods which can limit the maximum blower CFM to meet local code requirements.



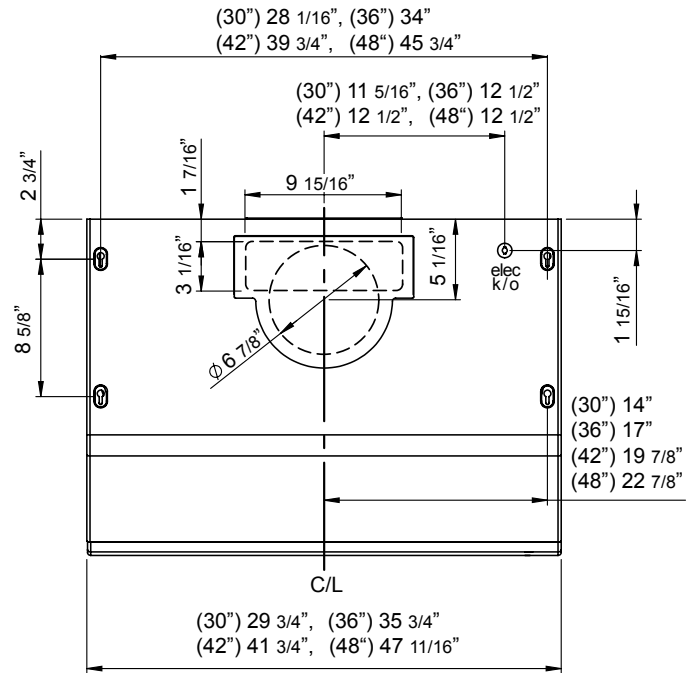
Stainless Steel



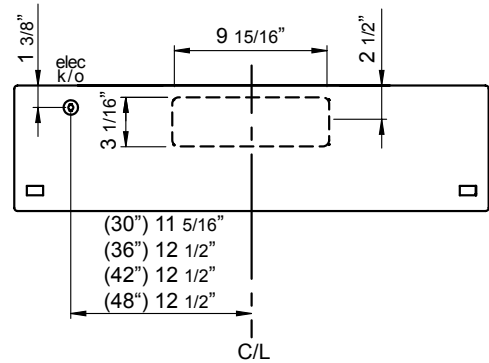
Black



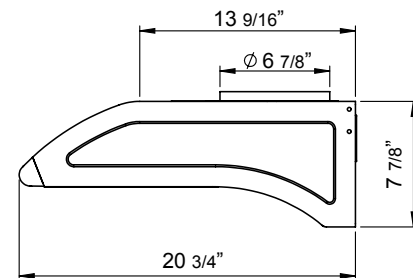
White



TOP



SIDE



BACK

## MODEL

|                 |          |          |          |          |
|-----------------|----------|----------|----------|----------|
| Black           | AK2100CB | AK2136CB |          |          |
| White           | AK2100CW | AK2136CW |          |          |
| Stainless Steel | AK2100CS | AK2136CS | AK2142CS | AK2148CS |
| Size            | 30"      | 36"      | 42"      | 48"      |

## BLOWER PERFORMANCE

|                             |           |           |           |           |
|-----------------------------|-----------|-----------|-----------|-----------|
| Blower CFM (Min. - Max.)    | 250 - 850 | 250 - 850 | 250 - 850 | 250 - 850 |
| Sones (Min. - Max.)         | 0.9 - 5   | 0.9 - 5   | 0.9 - 5   | 0.9 - 5   |
| ACT 390 CFM (Min. - Max.)   | 250 - 390 | 250 - 390 | 250 - 390 | 250 - 390 |
| ACT 390 Sones (Min. - Max.) | 0.9 - 2.5 | 0.9 - 2.5 | 0.9 - 2.5 | 0.9 - 2.5 |
| ACT 290 CFM (Min. - Max.)   | 250 - 290 | 250 - 290 | 250 - 290 | 250 - 290 |
| ACT 290 Sones (Min. - Max.) | 0.9 - 1.5 | 0.9 - 1.5 | 0.9 - 1.5 | 0.9 - 1.5 |

## FEATURES

|                           |                      |                      |                      |                      |
|---------------------------|----------------------|----------------------|----------------------|----------------------|
| ACT™ Technology           | Yes                  | Yes                  | Yes                  | Yes                  |
| Controls                  | Capacitive Touch     | Capacitive Touch     | Capacitive Touch     | Capacitive Touch     |
| Speed Levels              | 6*                   | 6*                   | 6*                   | 6*                   |
| Quiet Speed Setting (QSS) | Yes                  | Yes                  | Yes                  | Yes                  |
| Auto Delay-Off            | Yes                  | Yes                  | Yes                  | Yes                  |
| Lighting                  | LumiLight LED, 6W x2 | LumiLight LED, 6W x2 | LumiLight LED, 6W x2 | LumiLight LED, 6W x2 |
| Tri-Level Lighting        | Yes                  | Yes                  | Yes                  | Yes                  |
| Removable Safety Grilles  | 2                    | 2                    | 2                    | 2                    |
| Recirculating Option      | No                   | No                   | No                   | No                   |
| Self-Cleaning             | Yes                  | Yes                  | Yes                  | Yes                  |

## DUCT SPECIFICATIONS

|                            |                          |                          |                          |                          |
|----------------------------|--------------------------|--------------------------|--------------------------|--------------------------|
| Vertical Internal Blower   | 7" Round or 3-1/4" x 10" | 7" Round or 3-1/4" x 10" | 7" Round or 3-1/4" x 10" | 7" Round or 3-1/4" x 10" |
| Horizontal Internal Blower | 3-1/4" x 10"             | 3-1/4" x 10"             | 3-1/4" x 10"             | 3-1/4" x 10"             |
| AC POWER                   | 120V, 60Hz at Max. 2A    | 120V, 60Hz at Max. 2A    | 120V, 60Hz at Max. 2A    | 120V, 60Hz at Max. 2A    |

## OPTIONAL ACCESSORIES

|                  |         |         |         |         |
|------------------|---------|---------|---------|---------|
| Make-Up Air Kit  | MUA008A | MUA008A | MUA008A | MUA008A |
| Damper, 7" Round | AK00067 | AK00067 | AK00067 | AK00067 |

|                         |           |           |           |           |
|-------------------------|-----------|-----------|-----------|-----------|
| MOUNTING HEIGHT RANGE** | 24" - 32" | 24" - 32" | 24" - 32" | 24" - 32" |
|-------------------------|-----------|-----------|-----------|-----------|

|          |                              |                              |                              |                              |
|----------|------------------------------|------------------------------|------------------------------|------------------------------|
| WARRANTY | 10 years parts, 1 year labor | 10 years parts, 1 year labor | 10 years parts, 1 year labor | 10 years parts, 1 year labor |
|----------|------------------------------|------------------------------|------------------------------|------------------------------|

\*When ACT is enabled the maximum speed levels will change. ACT 390 CFM = 3 speeds and ACT 290 CFM = 2 speeds.

\*\*Mounting height refers to distance between top of a 36" tall cooking surface and bottom of hood.

**ACT™** AIRFLOW CONTROL TECHNOLOGY™ (ACT™) is an exclusive feature built into specific Zephyr hoods which can limit the maximum blower CFM to meet local code requirements.

Specifications subject to change, check zephyronline.com for up-to-date information.  
Zephyr Ventilation | 2277 Harbor Bay Parkway, Alameda, CA 94502 | 888.880.VENT

OCT20.0101

