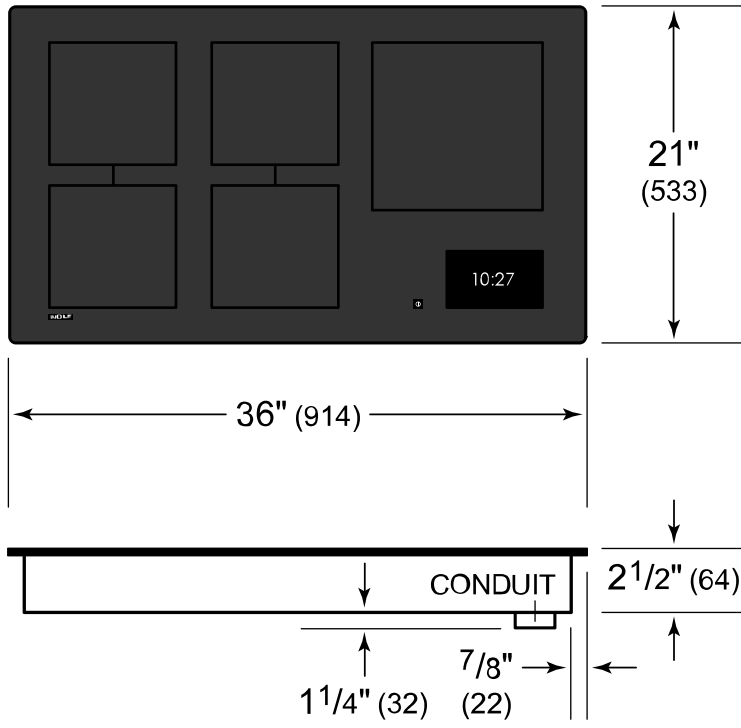
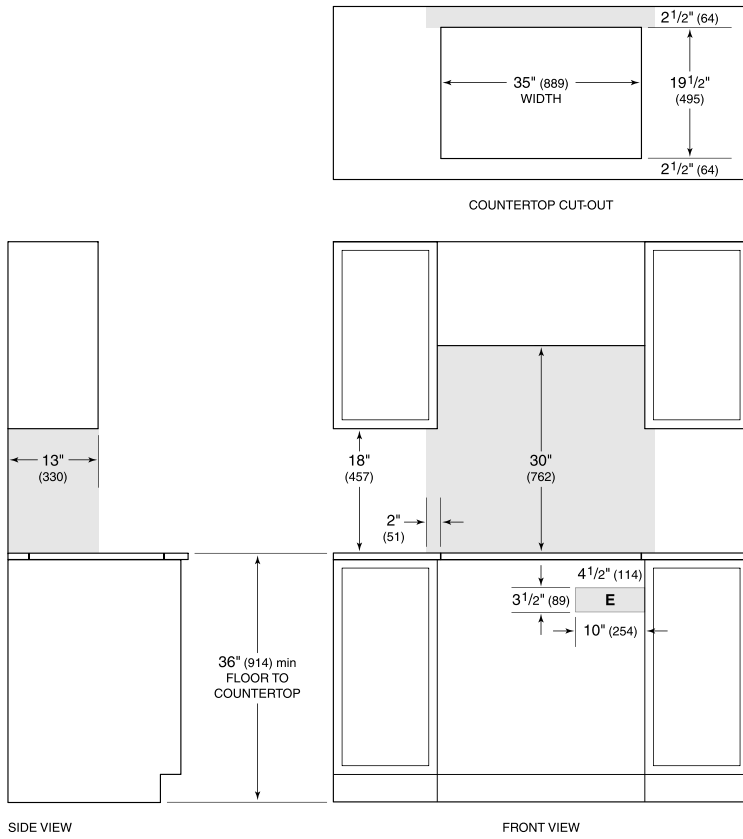


# Dimensions



# Standard Installation



NOTE: Shaded area above countertop indicates minimum clearance to combustible surfaces, combustible materials cannot be located within this area.  
 Electrical supply location only applies to installations with built-in oven.

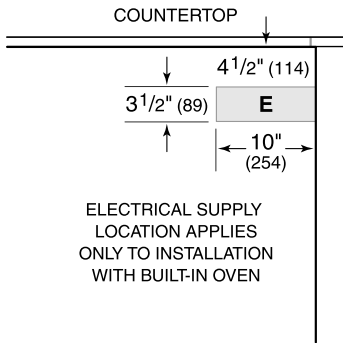
# Electrical Requirements

## Electrical Requirements

Electrical Supply 3-wire, 240/208 VAC, 60 Hz

Electrical Service 50 amp dedicated circuit

## Electrical Location Illustration



ELECTRICAL SUPPLY  
LOCATION APPLIES  
ONLY TO INSTALLATION  
WITH BUILT-IN OVEN