

ASSEMBLY INSTRUCTIONS
COASTER FINE FURNITURE



Fine Furniture for every stage of life

182034
BAR CABINET

ITEM:182034



ASSEMBLY INSTRUCTIONS

ASSEMBLY TIPS:

1. Remove hardware from box and sort by size.
2. Please check to see that all hardware and parts are present prior to start of assembly.
3. Please follow attached instructions in the same sequence as numbered to assure fast & easy assembly.

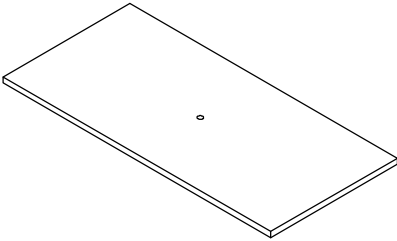
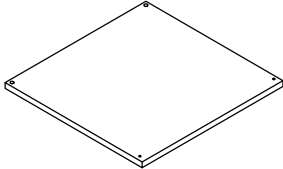
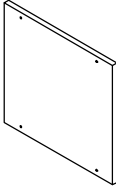
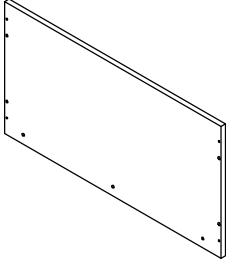
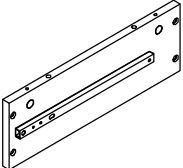


WARNING!

1. Don't attempt to repair or modify parts that are broken or defective. Please contact the store immediately.
2. This product is for home use only and not intended for commercial establishments.

ASSEMBLY TIME 90 MINUTES

PARTS IDENTIFICATION

A	TOP PANEL WITH LIGHT		1PC
B	TOP SHELF		2PCS
C	BOTTOM SHELF		1PC
D	MIDDLE PANEL		1PC
E	LEFT PANEL		1PC

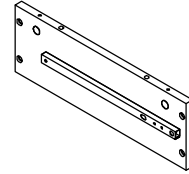
ITEM:182034

ASSEMBLY INSTRUCTIONS

PARTS IDENTIFICATION

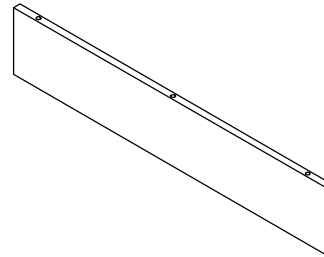


F RIGHT PANEL



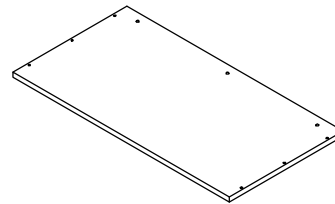
1PC

G BACK PANEL



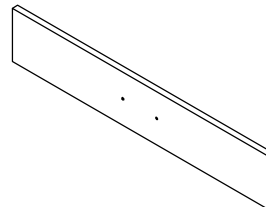
1PC

H BOTTOM PANEL



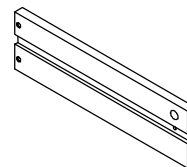
1PC

I DRAWER FRONT PANEL



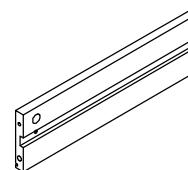
1PC

J DRAWER LEFT PANEL



1PC

K DRAWER RIGHT PANEL



1PC

ITEM:182034

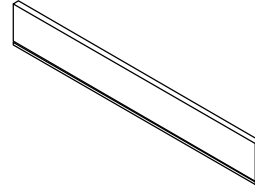
ASSEMBLY INSTRUCTIONS

PARTS IDENTIFICATION



L

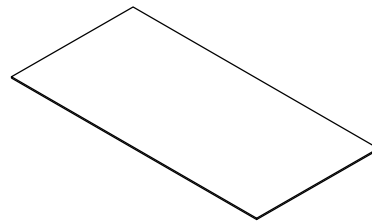
DRAWER BACK PANEL



1PC

M

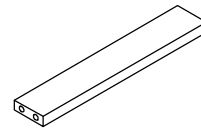
DRAWER BOTTOM PANEL



1PC

N

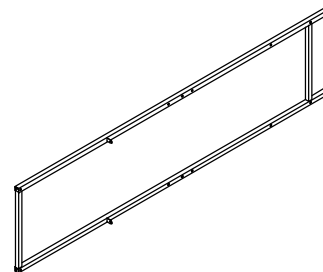
DRAWER SUPPORT PANEL



1PC

O

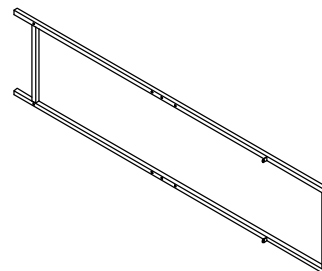
LEFT FRAME



1PC

P

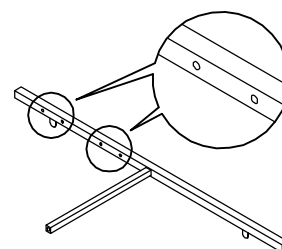
RIGHT FRAME



1PC

Q

TOP FRONT CROSSBAR



1PC

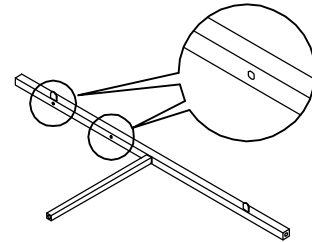
ITEM:182034

ASSEMBLY INSTRUCTIONS

PARTS IDENTIFICATION

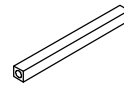


R TOP BACK CROSSBAR



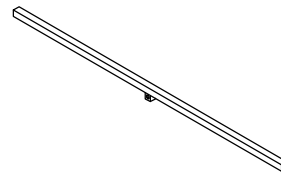
1PC

S SHORT CROSSBAR



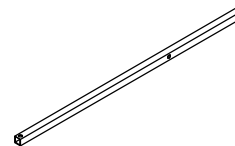
2PCS

T MIDDLE CROSSBAR



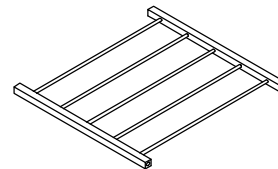
2PCS

U SUPPORT CROSSBAR



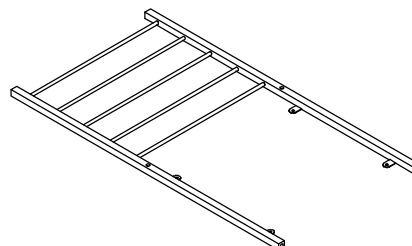
2PCS

V METAL RACK



1PC

A1 BOTTOM FRAME



1PC

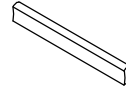
ITEM:182034

ASSEMBLY INSTRUCTIONS

PARTS IDENTIFICATION

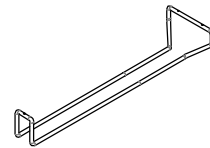


A2 HANDLE



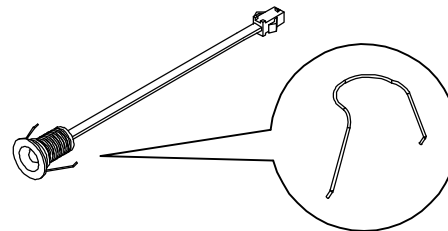
1PC

A3 GLASS HOLDER



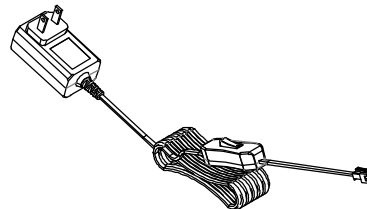
2PCS

A4 LIGHT



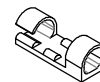
1PC

A5 POWER CORD



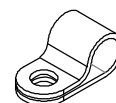
1PC

A6 POWER CORD CLAMP



3PCS

A7 POWER CORD FASTENER



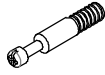
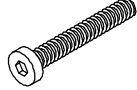



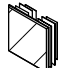
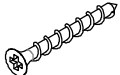

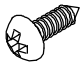

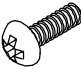

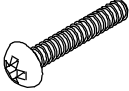





2PCS

ITEM:182034 ASSEMBLY INSTRUCTIONS



Z

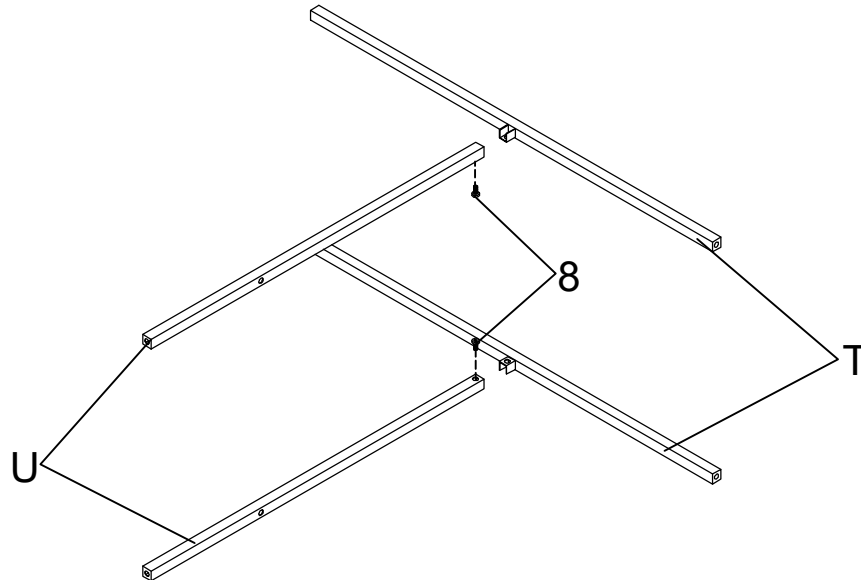
HARDWARE IDENTIFICATION

1	CAM BOLT (38mm)		6PCS	10	LONG BOLT (1/4" x 38mm SR)		20PCS
2	CAM LOCK (ϕ 15mm)		6PCS	11	COVER		16PCS
3	WOOD DOWEL (8 x 30mm)		16PCS	12	BOTTOM CAP (20 x 20mm BLK)		4PCS
4	LONG SCREW (ϕ 8 x 38mm)		10PCS	13	TOP CAP (20 x 20mm SR)		4PCS
5	SHORT SCREW (3.5 x 12mm SR)		10PCS	14	HANGER BOLT		2PCS
6	SMALL BOLT (5/32" x 12mm SR)		2PCS	15	GLASS HOLDER BOLT (3/16" x 12mm SR)		6PCS
7	HANDLE BOLT (5/32" x 22mm SR)		2PCS	16	GLUE		1PC
8	SHORT BOLT (1/4" x 12mm SR)		2PCS	17	STICKER		4PCS
9	MEDIUM BOLT (1/4" x 25mm SR)		8PCS	18	ALLEN WRENCH (4mm)		1PC

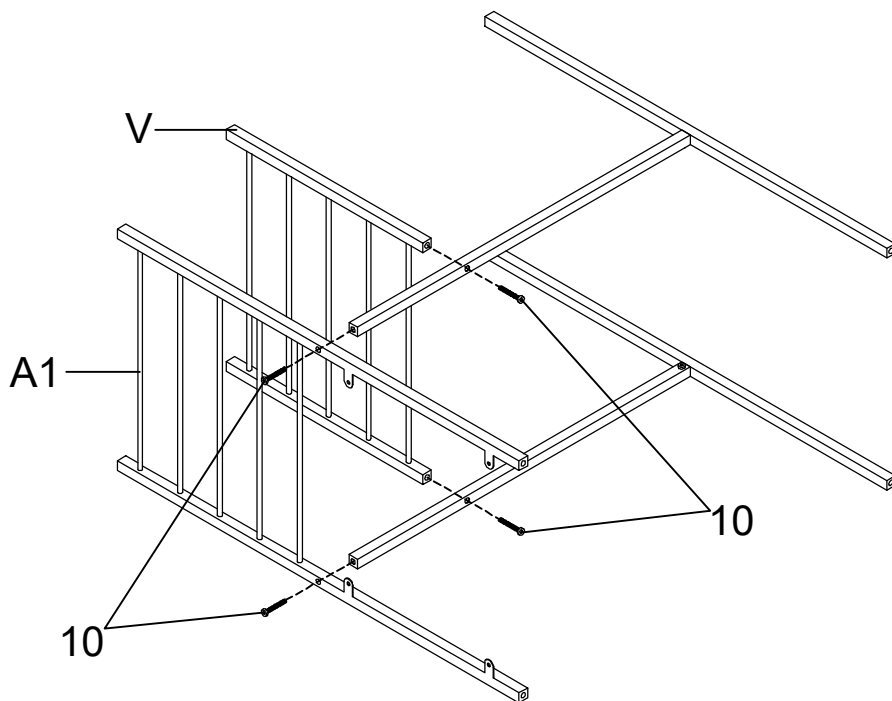
ITEM:182034

ASSEMBLY INSTRUCTIONS

STEP 1



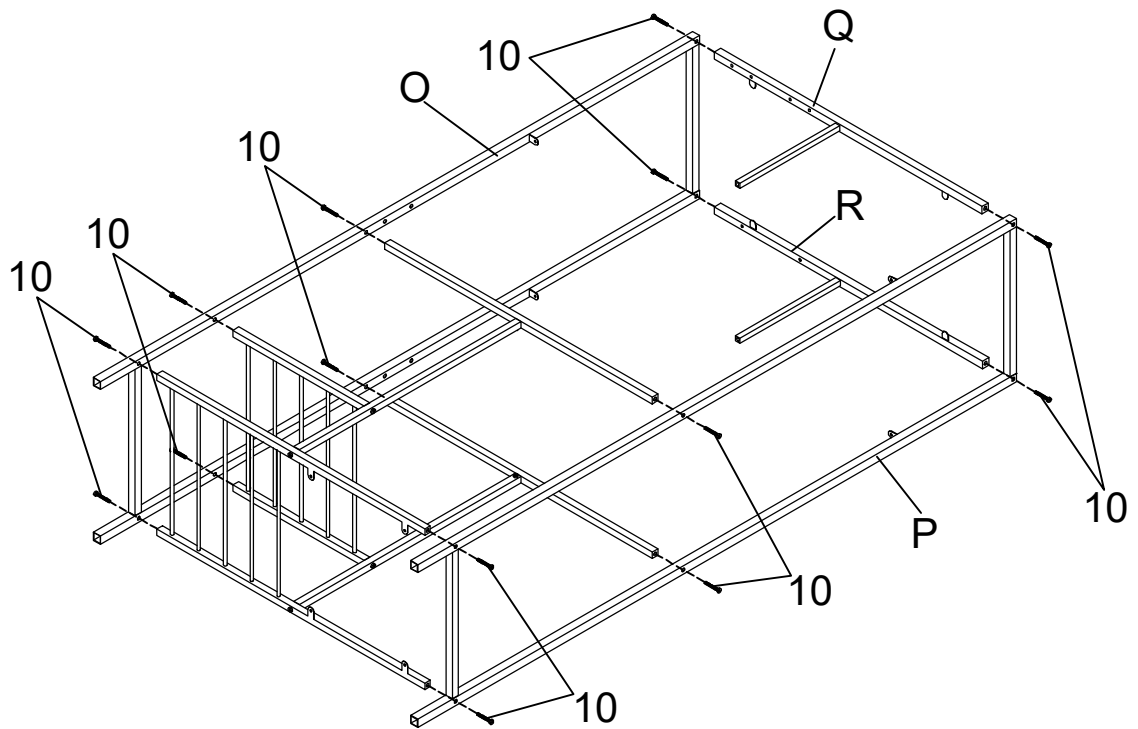
STEP 2



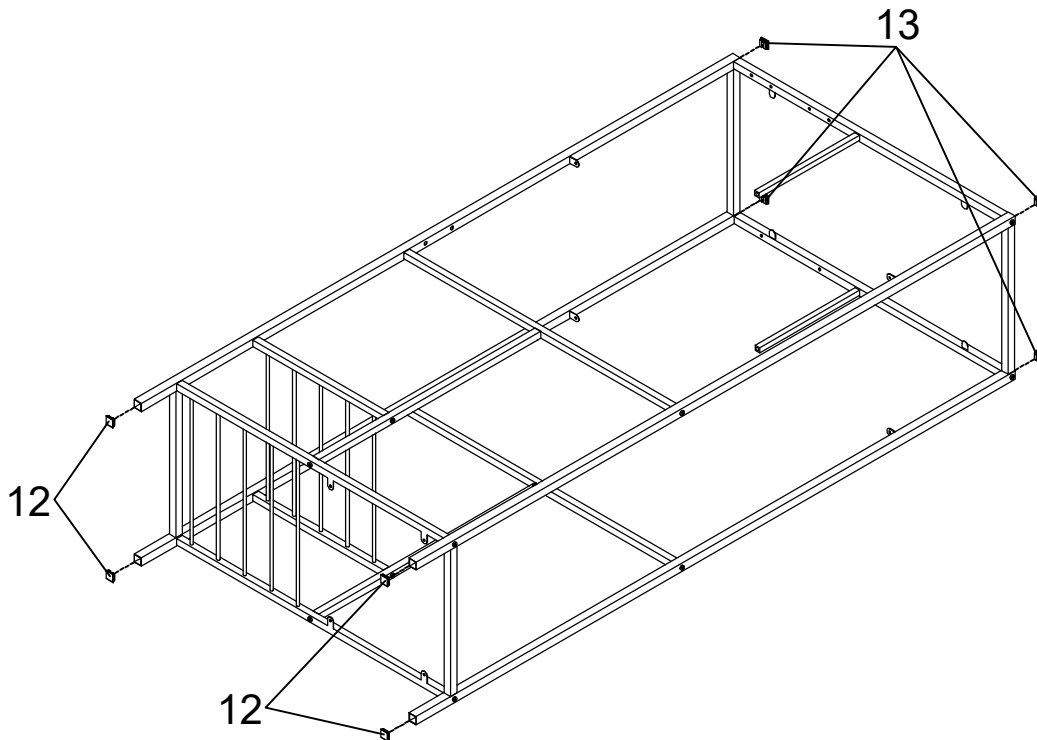
ITEM:182034

ASSEMBLY INSTRUCTIONS

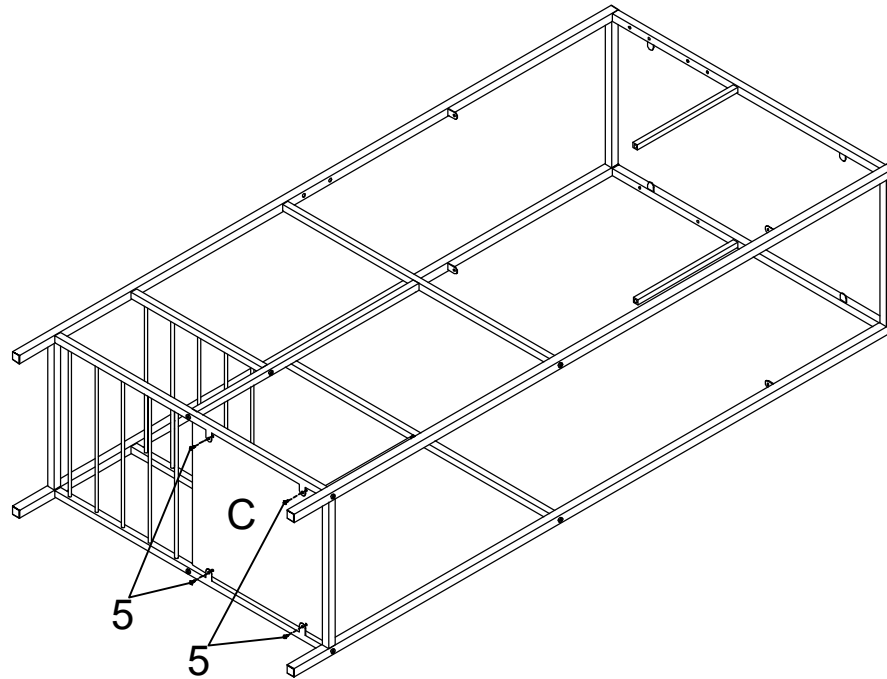
STEP 3



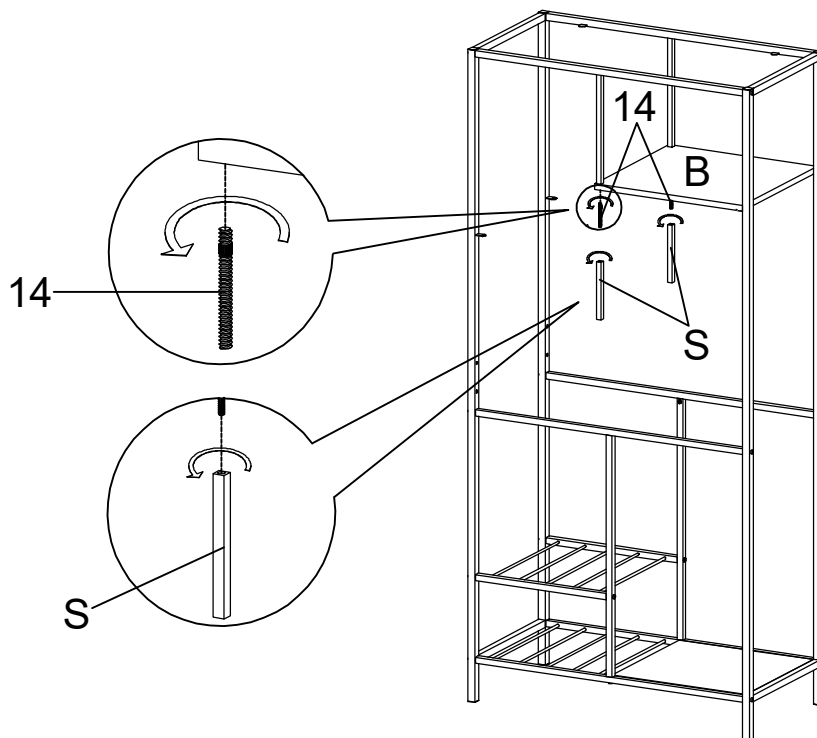
STEP 4



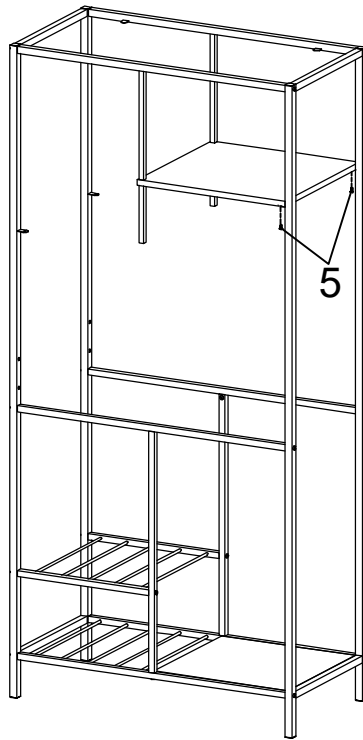
ITEM: 182034
ASSEMBLY INSTRUCTIONS
STEP 5



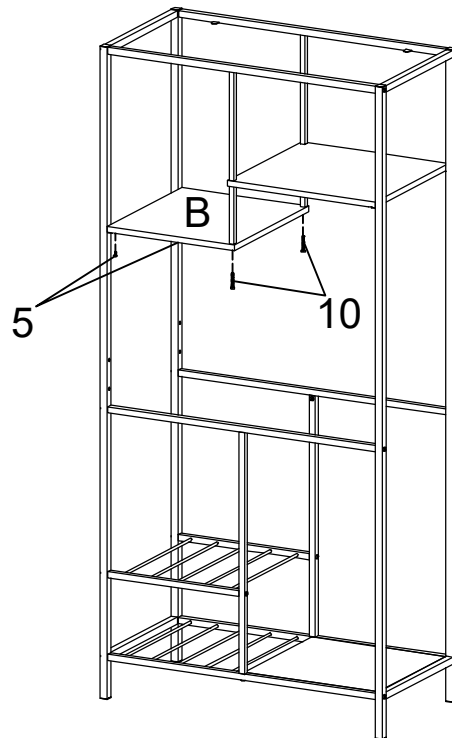
STEP 6



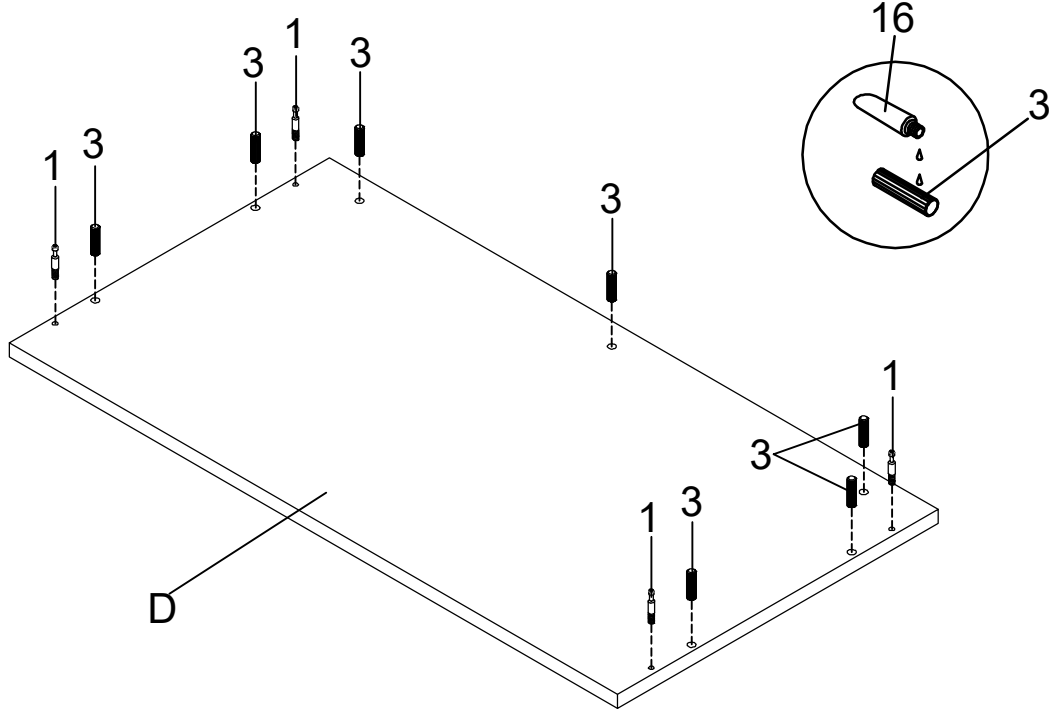
ITEM:182034
ASSEMBLY INSTRUCTIONS
STEP 7



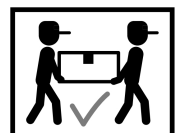
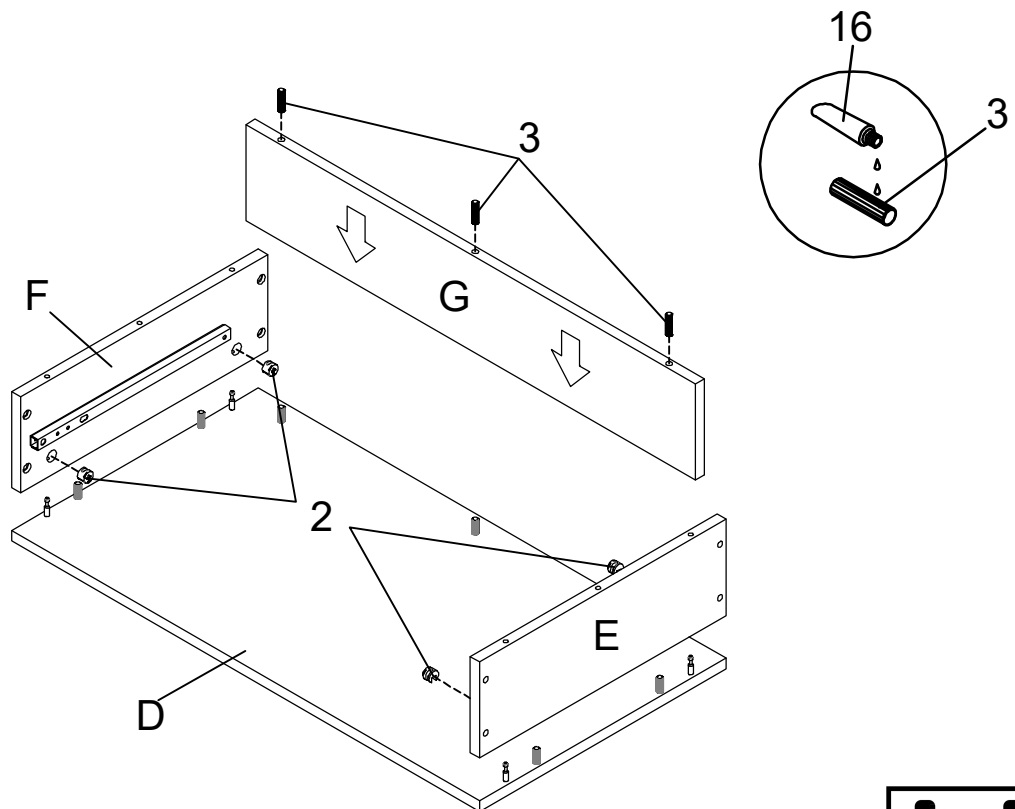
STEP 8



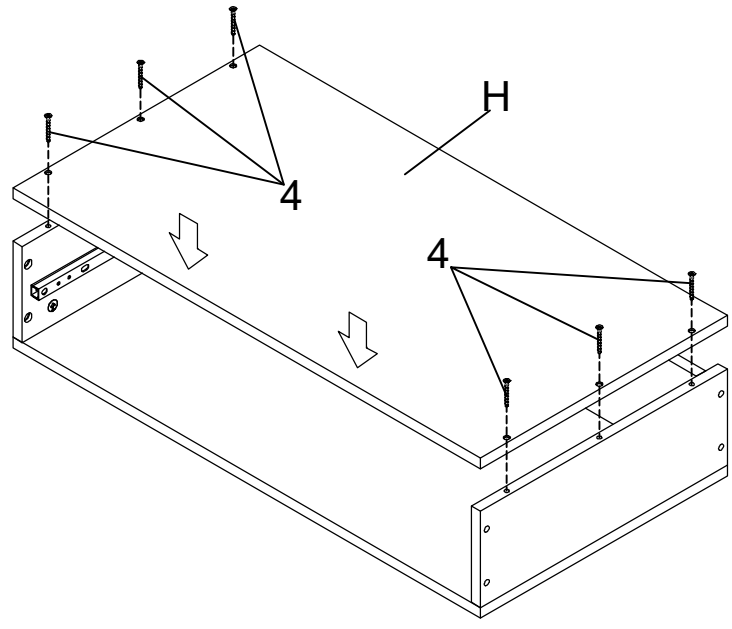
ITEM:182034
ASSEMBLY INSTRUCTIONS
STEP 9



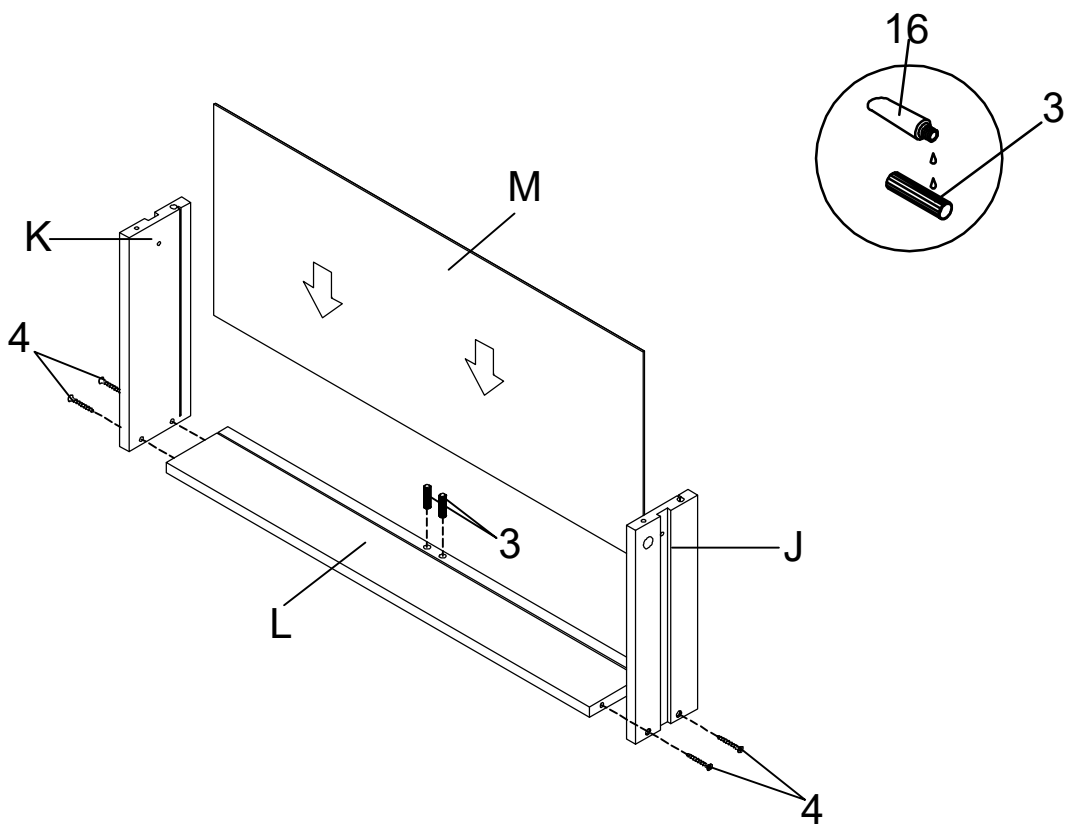
STEP 10



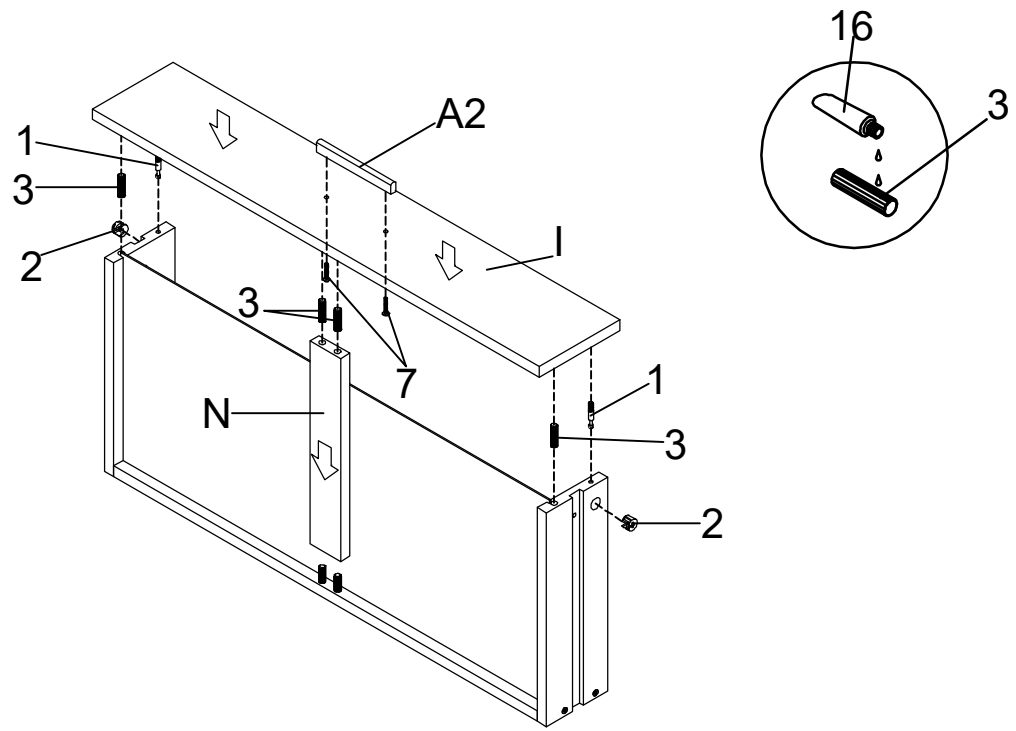
ITEM:182034
ASSEMBLY INSTRUCTIONS
STEP 11



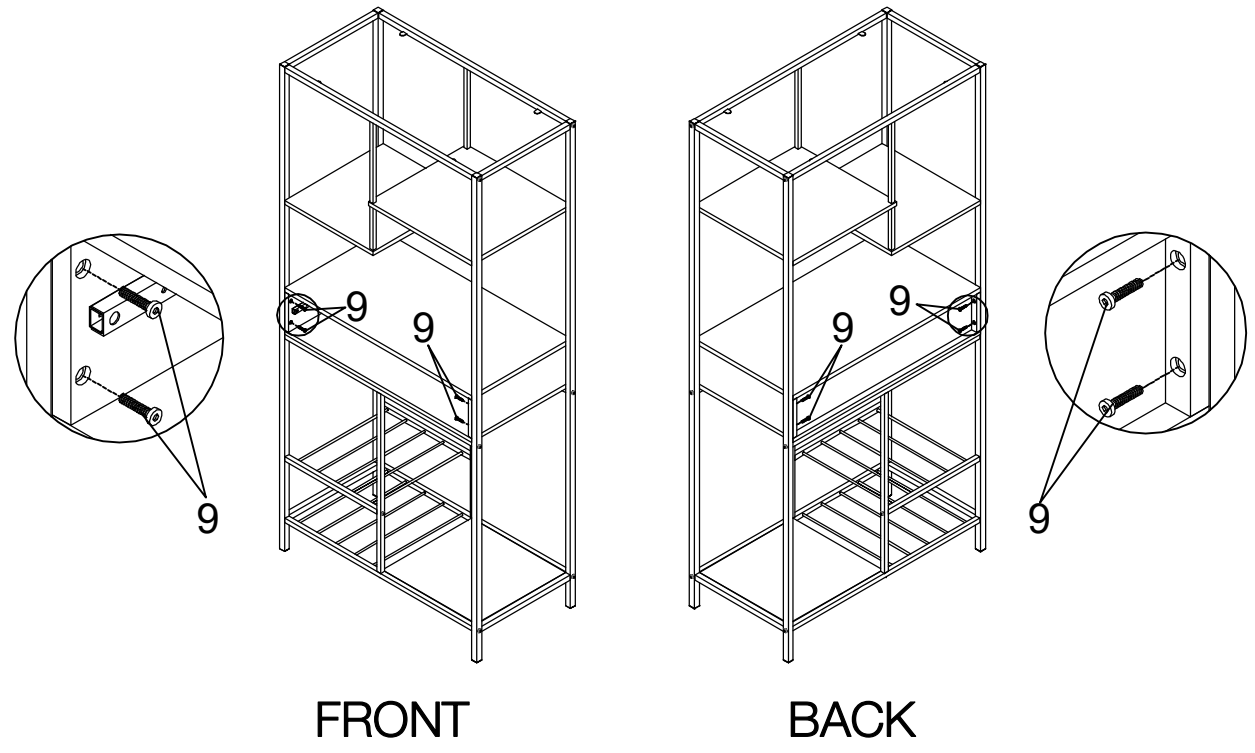
STEP 12



ITEM:182034
ASSEMBLY INSTRUCTIONS
STEP 13



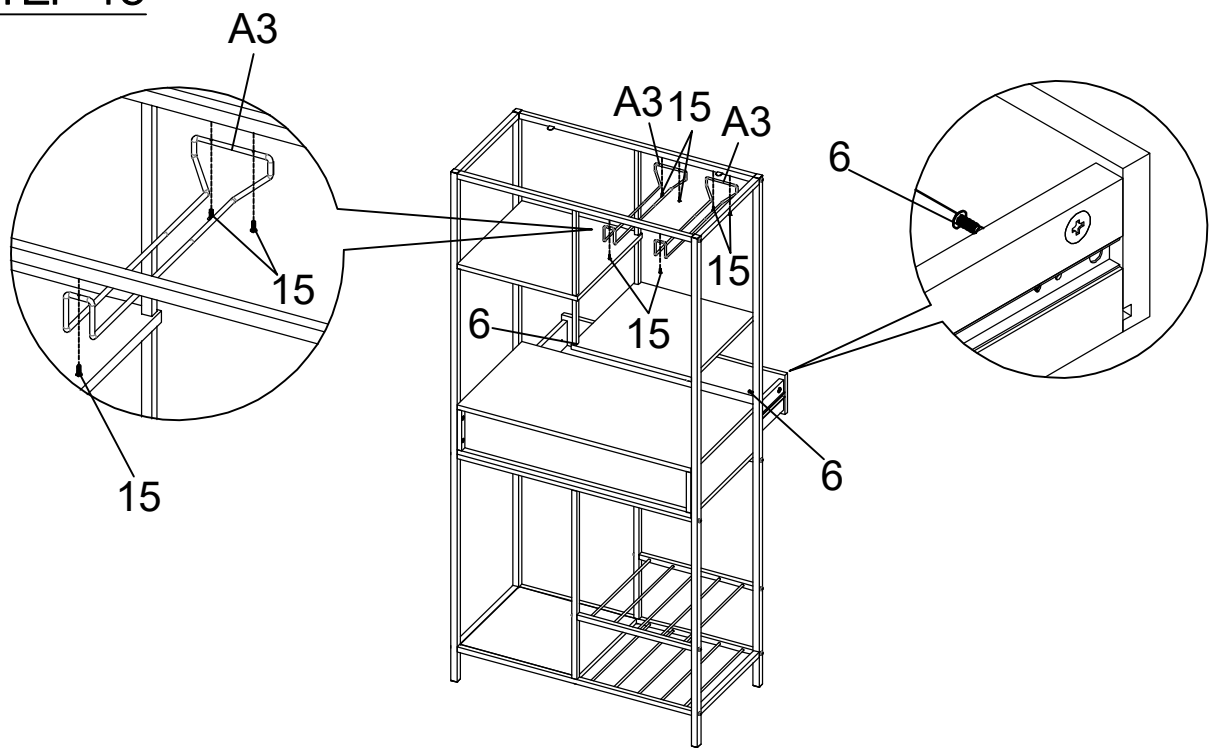
STEP 14



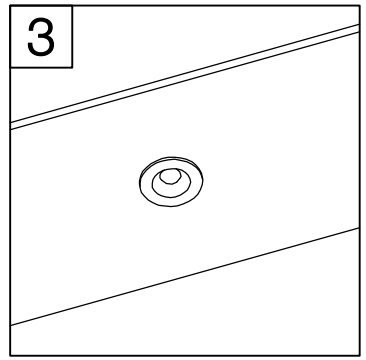
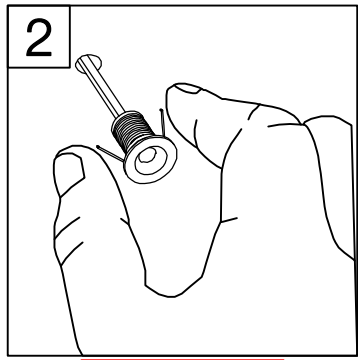
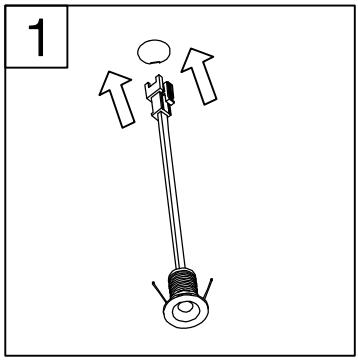
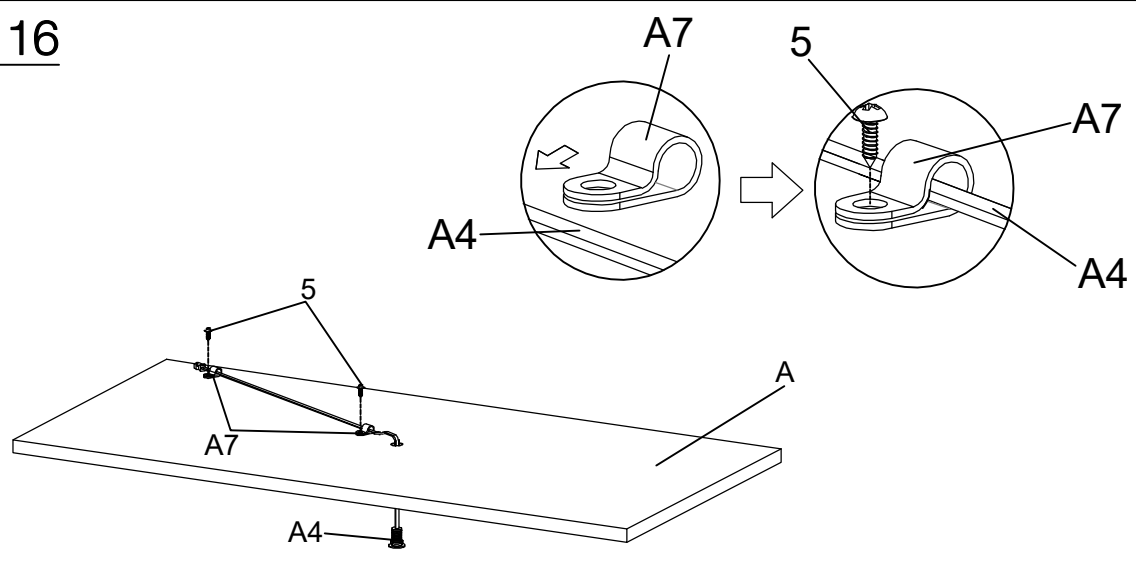
ITEM:182034 ASSEMBLY INSTRUCTIONS



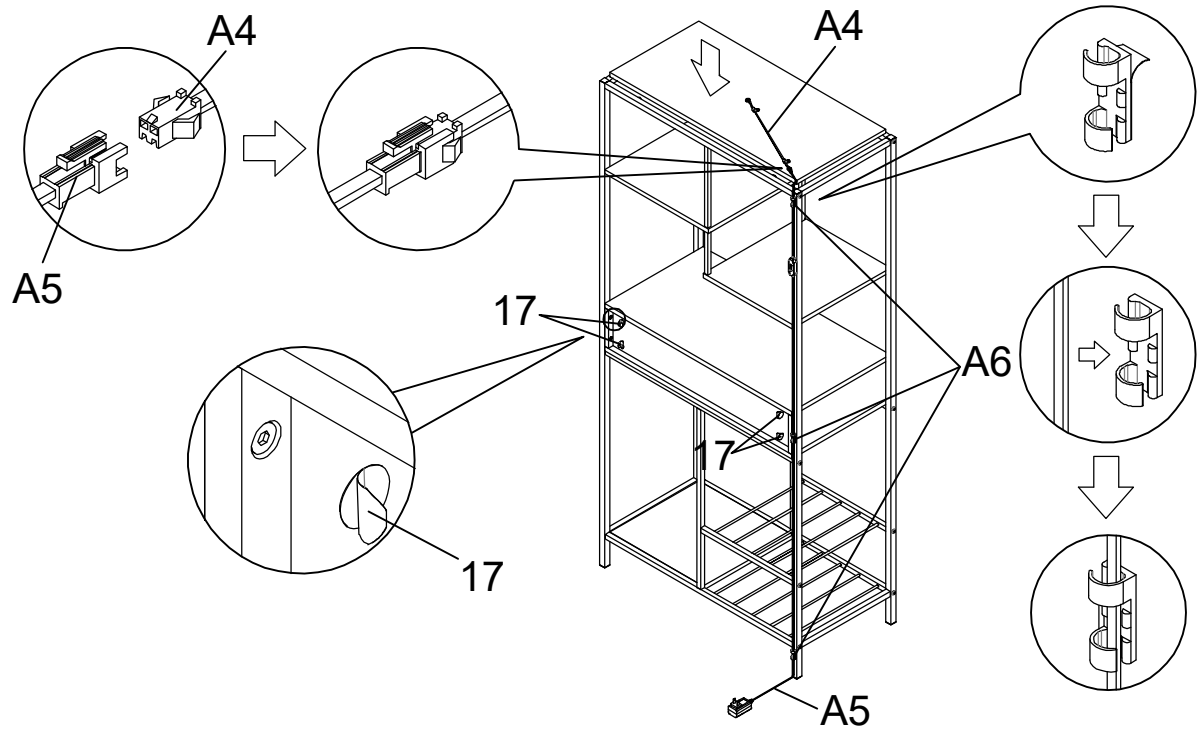
STEP 15



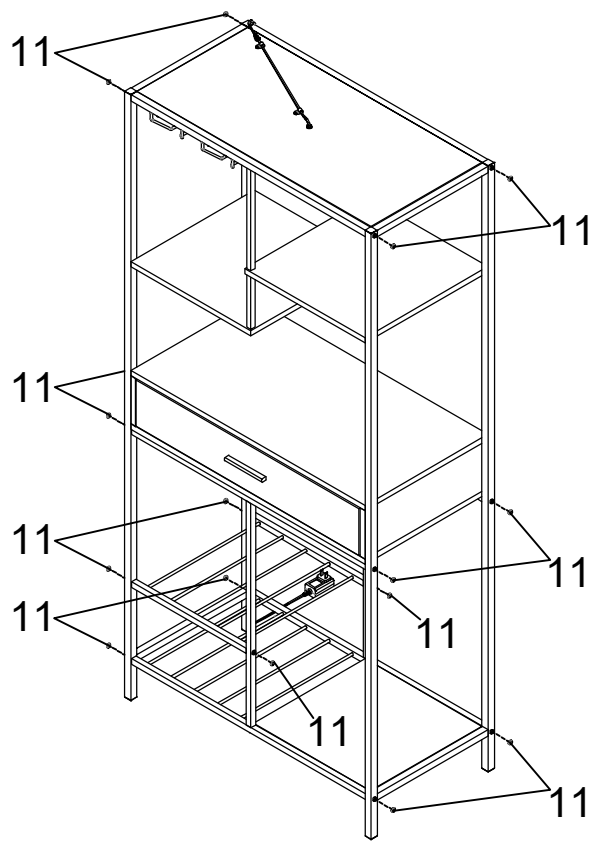
STEP 16



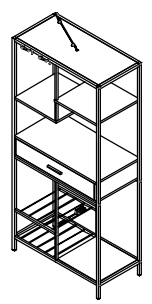
ITEM:182034
ASSEMBLY INSTRUCTIONS
STEP 17



STEP 18



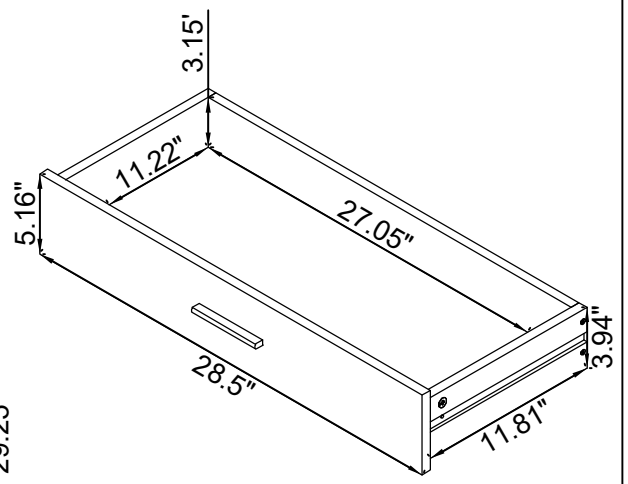
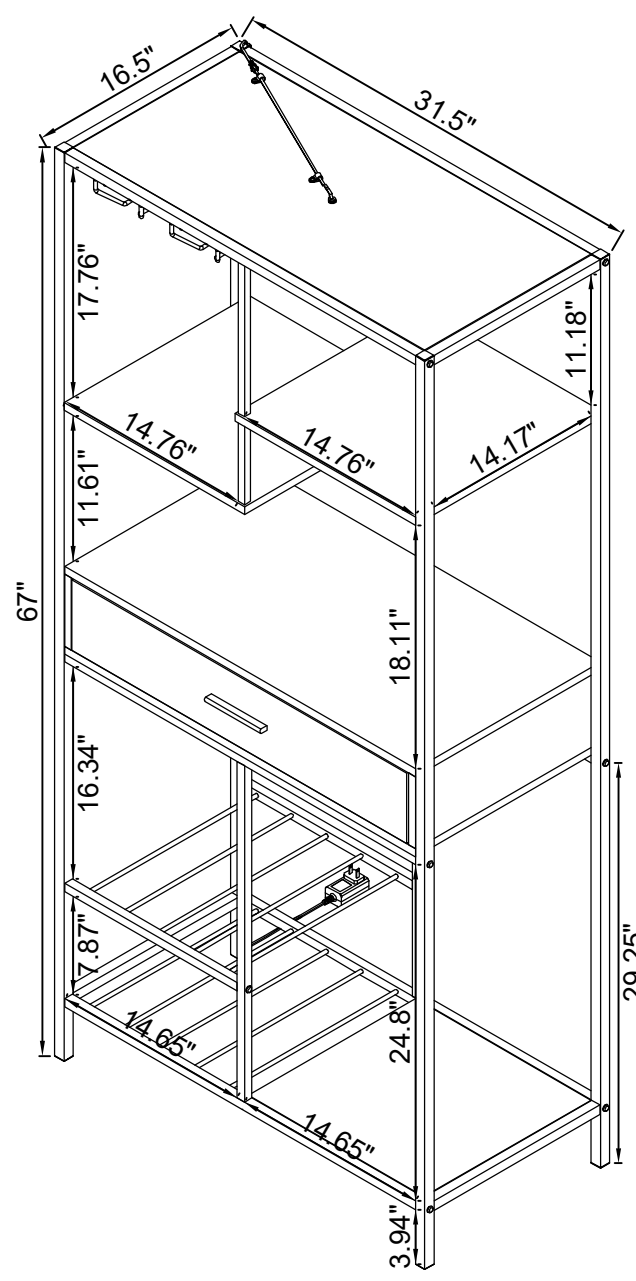
COMPLETE



ITEM:182034 ASSEMBLY INSTRUCTIONS



Product Size : 800 X 419X 1702 H (MM)
Product Size : 31.5" X 16.5" X 67"



Note : Dimension tolerance $\pm 5\%$

ITEM: **182034**



ANTI-TIPPING INSTALLMENT INSTRUCTIONS

FURNITURE TIPPING RESTRAINT

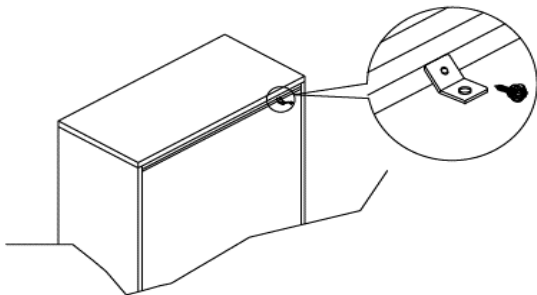
WARNING

Injury may result from tipping furniture.
This restraint may protect against tipping furniture.
Do not allow children to climb on furniture.
This restraint is not a substitute for proper adult supervision.
Failure to detach this restraint before moving the furniture may result in injury and damage.

This tip restraint must be attached to a wall stud using long screw enclosed.

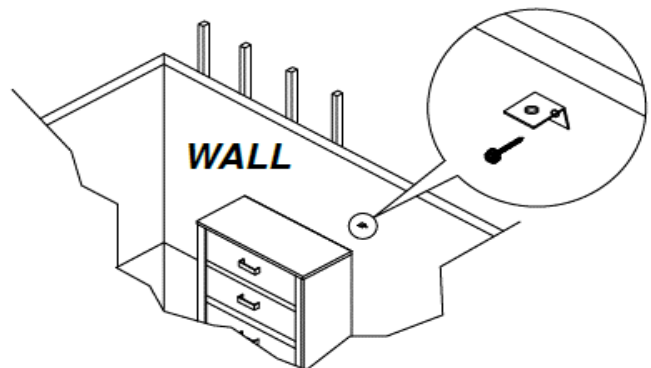
STEP 1

Attach a bracket securely to the back top rail of the furniture using short screw provided, through the smaller hole.



STEP 2

Locate the other bracket on the wall over a plastic wall stud and two inches below the mounting bracket secured to the back of the furniture. Attach the wall stud using the long screw provided, through the smaller hole.



STEP 3

Place the furniture into position so both mounting brackets are vertically in line. Lace the end of the restraint strap through the larger hole in each mounting bracket. Bring both ends together and slide the flat end through the locking end and draw it through until all slack is removed. Confirm that the strap is securely laced and locked.

