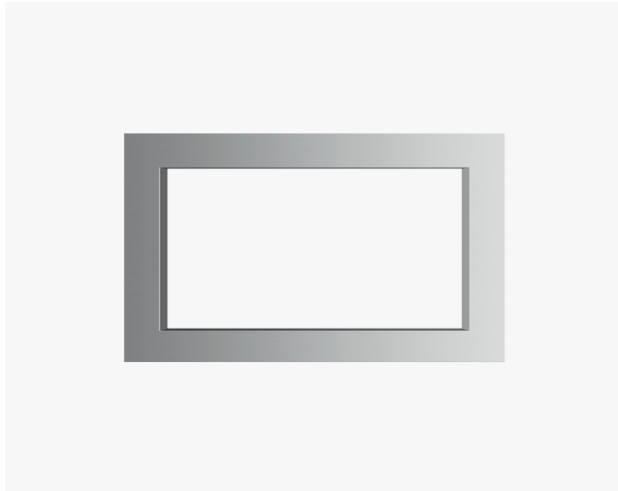


# Traditional Microwave Trim Kit, 30"

Series 5 | Contemporary

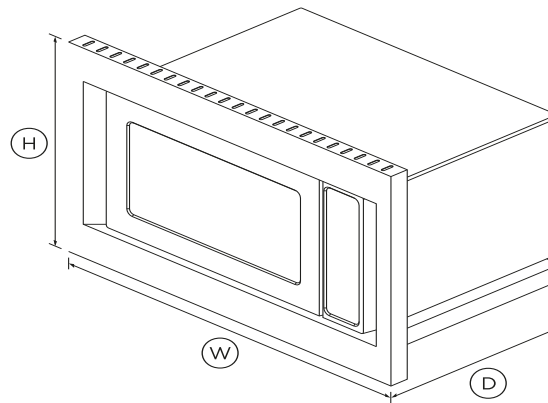
Stainless Steel



Blends the 24" Combination Convection Oven + Microwave (CMO-24SS-3Y) into your existing cabinetry seamlessly.

## DIMENSIONS

Height	17 <sup>7</sup> / <sub>8</sub> "
Width	29 <sup>7</sup> / <sub>8</sub> "
Depth	0 <sup>7</sup> / <sub>8</sub> "



The product dimensions and specifications in this page apply to the specific product and model. Under our policy of continuous improvement, these dimensions and specifications may change at any time. You should therefore check with Fisher & Paykel's Customer Care Centre to ensure this page correctly describes the model currently available. Â© Fisher & Paykel Appliances Ltd 2019.

## SPECIFICATIONS

### Product dimensions

Depth	0 <sup>7</sup> / <sub>8</sub> "
Height	17 <sup>7</sup> / <sub>8</sub> "
Width	29 <sup>7</sup> / <sub>8</sub> "

SKU 81228

---

Other product downloads available at [fisherpaykel.com](http://fisherpaykel.com)



Installation Guide



**A PEACE OF MIND SALE**

**24 Hours 7 Days a Week Customer Support**

**T** 1300 650 590 **W** [www.fisherpaykel.com](http://www.fisherpaykel.com)