

RZ11M7074SA

SAMSUNG

11.4 cu. ft. Convertible Upright Freezer



Signature Features

Convertible Zone

- A convertible freezer, that can switch between fridge or freezer, is perfect for any home, no matter what their needs.

Organizational Options

- All drawers can be removed for more shelf space, door bins can be raised and lowered, and shelves can be adjusted. Design it to what you need to store.

ENERGY STAR® Certified

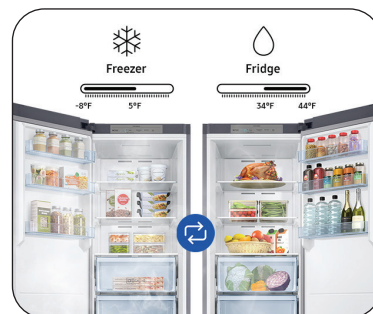
- Eco-friendly and energy-efficient.*

*Visit www.energystar.gov for more information on ENERGY STAR guidelines.

Available Color



Stainless Look



Convertible Zone



Organizational Options

Design

- Convertible Zone
- Organizational Options
- Reversible Door
- 11.4 cu. ft. Capacity
- High-Efficiency LED Lighting
- Digital Display Buttons

Convenience

- Dongle Ready
- 3 Spill-Proof Shelves
- 4 Crisper Drawers
- 3 Door Bins
- Child Lock
- Door Alarm
- Adjustable Freezer Mode: Temperatures between 5°F and -8°F (0°F default temperature)
- Adjustable Fridge Mode: Temperatures between 44°F and 34°F (37°F default temperature)
- Mode Select - Switch between Freezer and Fridge Modes

Performance

- All-Around Cooling
- Surround AirFlow
- Power Freeze
- Cool Tight Door

Rating



ENERGY STAR® Rated:
361 kWh/yr

RZ11M7074SA

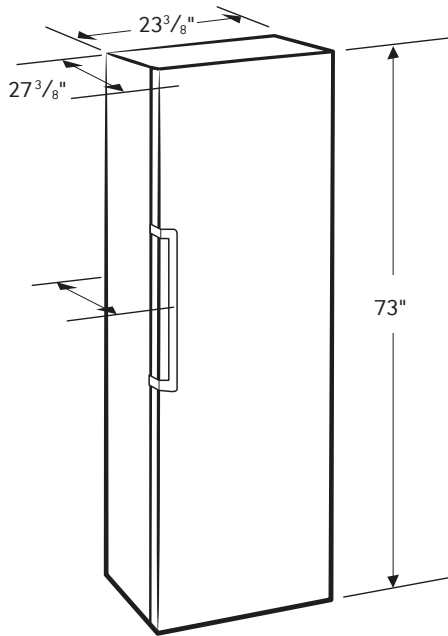
SAMSUNG

11.4 cu. ft. Convertible Upright Freezer

Installation Requirements

- Solid, level surface without carpeting or flooring that may obstruct ventilation
- Away from direct sunlight
- Adequate room for opening and closing the door
- Away from a heat source
- Room for maintenance and servicing
- Temperature range: between 38°F (3°C) and 110°F (43°C)

Dimensions



Freezer Capacity: 11.4 cu. ft.

- 3 Spill-Proof Shelves
- 4 Crisper Drawers
- 3 Door Bins
- High-Efficiency LED Lighting
- Adjustable Freezer Mode: Temperatures between 5°F and -8°F (0°F default temperature)
- Adjustable Fridge Mode: Temperatures between 44°F and 34°F (37°F default temperature)
- Mode Select - Switch between Freezer and Fridge Modes

Warranty

One (1) Year Parts and Labor
Five (5) Years Parts and Labor on Sealed Refrigeration System Only*
Ten (10) Years Parts and Five (5) Years Labor on Digital Inverter Compressor Only

*Compressor, evaporator, condenser, drier and connecting tubing.

Product Dimensions & Weight

Dimensions (WxHxD with hinges, handle and door):
23³/₈" x 73" x 27³/₈"

Dimensions (WxHxD without hinges and door):
23³/₈" x 73" x 22⁷/₈"

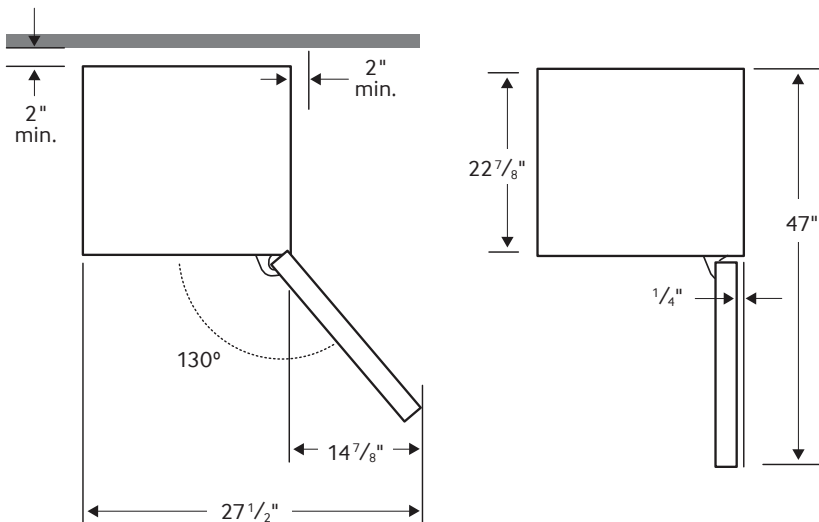
Weight: 168 lbs

Shipping Dimensions & Weight (WxHxD)

Dimensions: 25³/₄" x 76⁷/₈" x 30"

Weight: 179 lbs

Color	Model #	UPC Code
Stainless Look	RZ11M7074SA	887276440378



NOTE: Please allow 3³/₄" of clearance when installing along a wall.