

CS 1640 NoFrost

30" Freestanding Refrigerator & Freezer

30"

Featuring many premium features, the **CS 1640** offers Liebherr's signature stainless steel with a SmartSteel finish front and European styling. As a value alternative, the unit is cabinet depth and can fit easily into an existing space, for the look of a built-in without building in. To make installation even easier and providing the option to place the unit anywhere in the kitchen, there's no need for water connection for the IceMaker. A well-designed internal water tank provides water for perfect cubes.



No Frost

Duo Cooling

Ice Maker

Smart Steel



Water tank



Drawer

Energy consumption in 365 days [KWH]	431
Compressors	2
Regulable cooling circuits	2
Type of control	Digital temperature display in the MagicEye
SuperCool	36 °F Quick Chill
SuperFrost	-25 °F Quick Freeze
Material door shelves	Glass with stainless steel trim
Storage rack	GlassLine storage racks with dividers
Gallon storage	GlassLine door shelves
Interior light, refrigerator compartment	ceiling lighting
NoFrost	+ featuring drawers closed all the way round with transparent fronts
FrostSafe-System	
IceMaker	Water tank
Door hinges	right interchangeable
Door/lid material	stainless steel finish with grey sidewalls
Gross weight in pounds	288.8
Net capacity of refrigerator compartment in cubic feet	11
Net capacity of freezer compartment in cubic feet	4.2
Freestanding (Semi-built-	Cabinet depth

Patented GlassLine door shelves with gallon storage



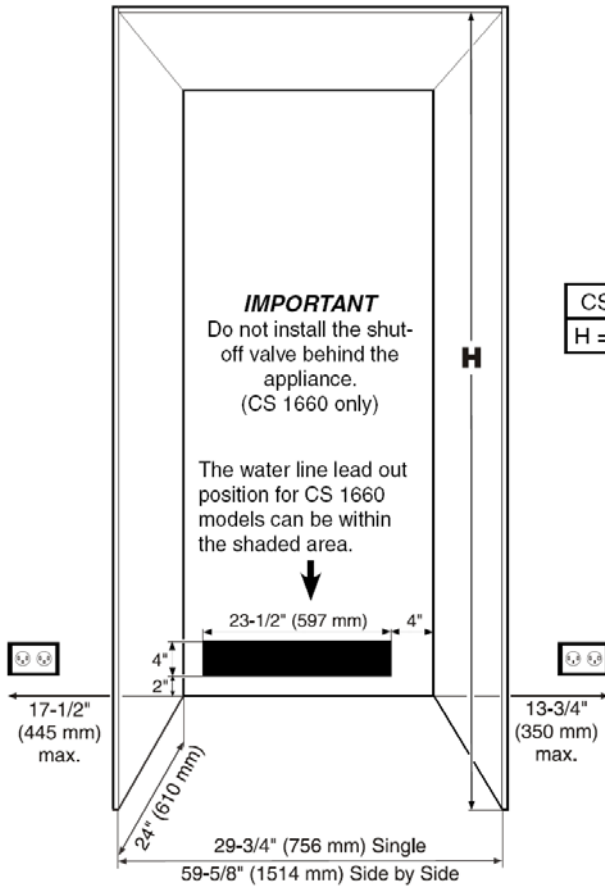
LIEBHERR
Design, Quality and Innovation

*THIS IS JUST A QUICK REFERENCE GUIDE, FOR COMPLETE INSTRUCTIONS, PLEASE REFER TO THE DESIGN GUIDE OR VISIT <http://www.liebherr-appliances.com>

Cabinet Opening Dimensions

The appliance can be used freestanding or semi built-in.
If semi built-in, please consider the cabinet opening dimensions.

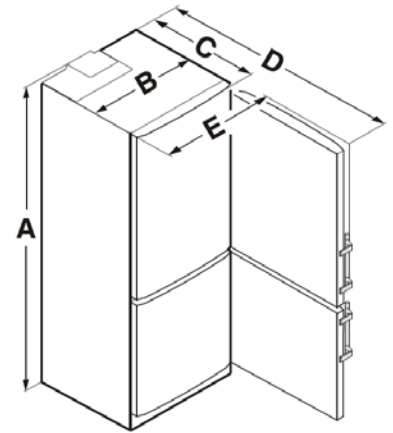
The power cord comes out of the appliance top.
The location of the electrical outlet can be within a radius of 90 inch from the appliance top center.



CS 14	CS 16, SBS 32
H = 73 3/4" (1873 mm)	H = 80" (2032 mm)

With the electrical outlet at the bottom, please consider the maximum distance left or right.

Unit Dimensions



CS 1640, CS 1660

- A = 79-1/2" (2020 mm)
- B = 29-3/8" (747 mm)
- C = 24-13/16" (630 mm)
- D = 52-3/8" (1330 mm)
- E = 31-3/32" (790 mm)

Ventilation Requirements

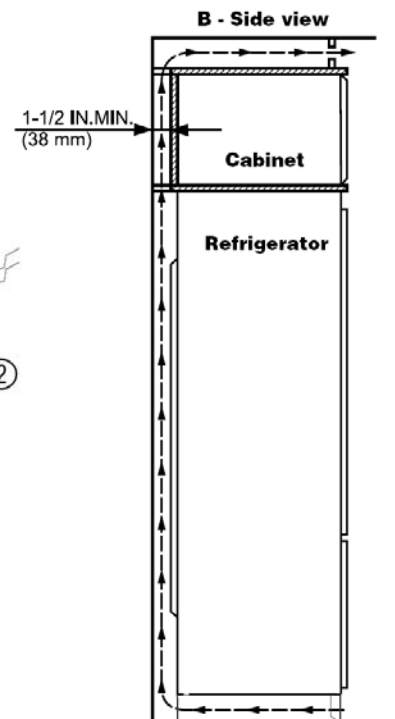
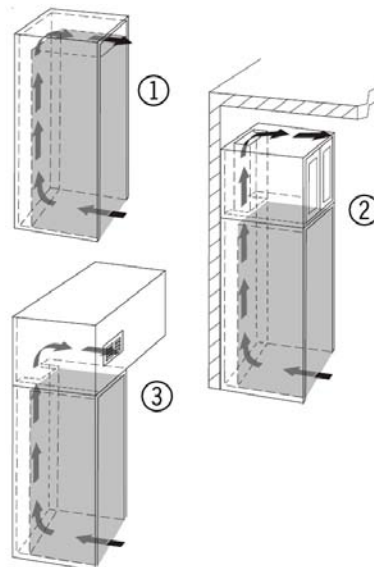
DO NOT restrict the air flow. The opening can either be directly over the appliance ①, above the cabinet and below the ceiling ② or through a vent installed in a soffit ③.

The cabinet height as specified at 80" (2032 mm) will create a 1-5/16" (33 mm) gap above the appliance providing optimal air flow over the top of the appliance for its efficient operation. To have the same air flow for CS 1400 appliances, the cabinet opening height must be 73-3/4" minimum.

Be sure to consider the possibility of having to raise some of the leveling legs in order to level the appliance when installing. If you adjust the height of the appliance - it will effectively reduce air flow. Therefore leave yourself some room for adjustment.

IMPORTANT

The section below the freezer door and the floor must not be covered.



The refrigerator is designed to allow proper air flow when the appliance is installed up against the wall. A minimum space of 1 1/2" is required when a cabinet is built above.