

FEATURES & BENEFITS



BLACK SOLID



WHITE SOLID

PERFORMANCE	<ul style="list-style-type: none"> Refrigerator volume of 2.1 cu ft (59,5 litres) holds up to 24 bottles (12 oz / 330 ml) or 44 cans (12 oz / 330 ml) Mechanical Dial Control is conveniently located on the grille Temperature range: 34°F - 45°F (1°C - 7°C) Daily ice produces up to 18 lb (8,2 kg) of ice Up to 13 lb (5,9 kg) in ice storage capacity Crescent ice cube dimensions: 1/2" W x 3/4" H x 2 1/4" L (12,7 mm W x 19 mm H x 57 mm L) Available in 115 or 220-240 volts
INTERIOR/EXTERIOR	<ul style="list-style-type: none"> No drain required Two removable tempered glass shelves Two fixed storage compartments in door Door swing is field reversible, and is shipped right-hand hinged Standard travel package includes door latch, ensuring safe-at-sea storage Corrosion and UV resistant components provide product longevity in harsh environments
INTEGRATION	<ul style="list-style-type: none"> Unit is designed to be built-in or can be freestanding Available in the following finishes: Black or White Black finish accepts a 1/4" (6,4 mm) custom insert panel

MODEL DETAILS

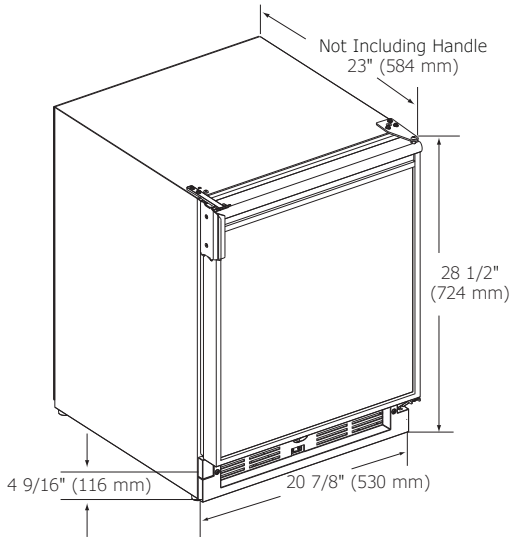
Model	Voltage/Hz	Door Swing	Finish	Shipping Weight
ULN-CO29B-03A	115 / 60	Right-Hand Hinge	Black Solid	94 lb (43 kg)
ULN-CO29B-20A	220-240 / 50	Right-Hand Hinge	Black Solid	94 lb (43 kg)
ULN-CO29W-03A	115 / 60	Right-Hand Hinge	White Solid	94 lb (43 kg)
ULN-CO29W-20A	220-240 / 50	Right-Hand Hinge	White Solid	94 lb (43 kg)

ACCESSORIES

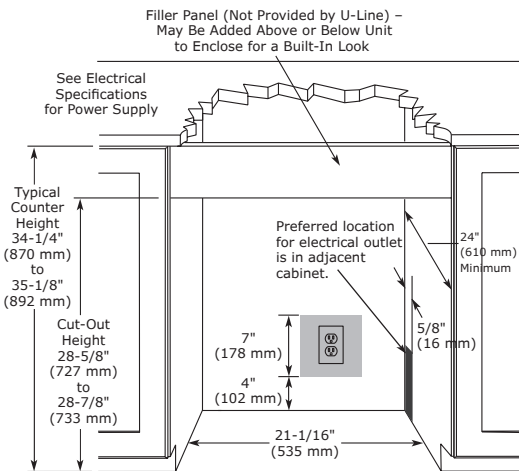
Model	Description	Finish	Shipping Weight
ULAWATERHOOKUP	Braided water supply line kit	N/A	2 lb
U-POWERCORD-2056	Power Cord 220 - 240 V Great Britain/Ireland	N/A	N/A
U-POWERCORD-2256	Power Cord 220 - 240 V Australia/New Zealand	N/A	N/A
U-POWERCORD-2667	Power Cord 220 - 240 V Continental Europe	N/A	N/A
U-POWERCORD-3071	Power Cord 220 - 240 V China	N/A	N/A
U-POWERCORD-3111	Power Cord 220 - 240 V India	N/A	N/A

*Power cord type must be specified with each U-Line order; no additional cost for power cord.

DIMENSIONS



CABINET CUT-OUT



INSTALLATION NOTES

- Cutout includes the additional 1/4" (6,4 mm) width overall to ensure proper installation.
- No additional clearance around sides, top or rear of unit is needed for ventilation.
- Do not obstruct front grille air flow.



Residential
 UL listing only applies to 115 v models.
 CE only applies to 220-240v models.

SPECIFICATIONS

Model	CO29
Amps: Running (115v)	2.5 amps
Amps: Running (220-240v)	1.2 amps
Amps: Max Start Up (115v)	18 amps
Amps: Max Start Up (220-240v)	6 amps
Capacity: Bottle	24 (12oz/330ml)
Capacity: Can	44 (12oz/330ml)
Capacity: Volume	2.1 cu ft (59 litres)
Control Type	Mechanical Dial
Defrost Type	Manual
Dimensions: Product Depth	23" (584 mm)
Dimensions: Product Height	28 1/2" (724 mm)
Dimensions: Product Width	20 7/8" (530 mm)
ENERGY STAR	N/A
Panel Type (Black Finish Only)	Insert
Panel Thickness (Black Finish Only)	1/4" (6,4 mm)
Panel Height (Black Finish Only)	21 13/32" (544 mm)
Panel Width (Black Finish Only)	19 13/16" (503 mm)
Ice Production Per Day	18 lb
Ice Storage	13 lb
Product Weight: Max	85 lb (39 kg)
Refrigerant Type	R134A
Sabbath (Star K Certified)	No
Temperature Range	34°F - 45°F (1°C - 7°C)



Please visit u-line.com to view this model's User Guide & Service Manual. All Specifications are subject to change without notice.