



ITEM NO: I3014-378 Workstation/Combo File

Thank you for purchasing this quality product. Be sure to check all packing material carefully for small parts that may come loose inside the carton during shipment.

WARNING! Before using this product, please read, understand, and follow these instructions. Failure to follow each of these assembly instructions precisely may result in damage to the product and / or injury to the consumer.

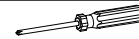


UNIT SHOULD BE INSTALLED BY 2 OR MORE PERSONS.



TOOLS REQUIRED (NOT PROVIDED)

PHILLIPS SCREWDRIVER



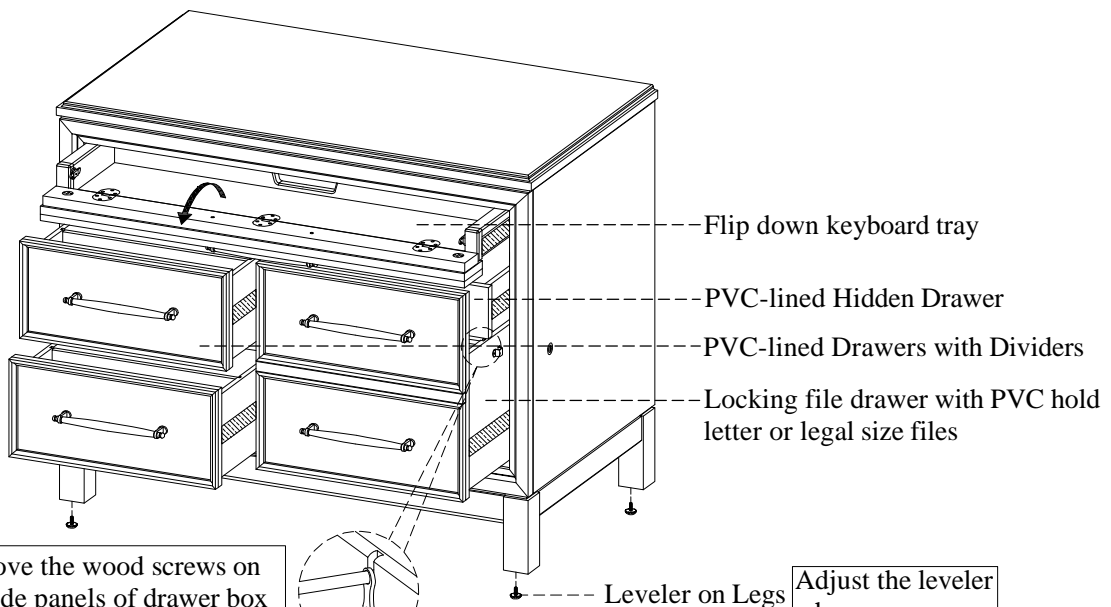
COMPONENTS LIST:

No.	Description	Sketch	Quantity
A	Bolt Ø5/16" x 2"		8 PCS
B	Lock Washer Ø5/16"		8 PCS
C	Flat Washer Ø5/16" x 3/4"		8 PCS
D	Allen Wrench 4mm		1 PC

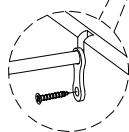
COMPONENTS LIST:

No.	Description	Sketch	Quantity
1	Case		1 PC
2	Leg		4 PCS

FUNCTIONALITY INSTRUCTION



Remove the wood screws on the side panels of drawer box to remove the rod loops and file rods if necessary.



Adjust the leveler when necessary

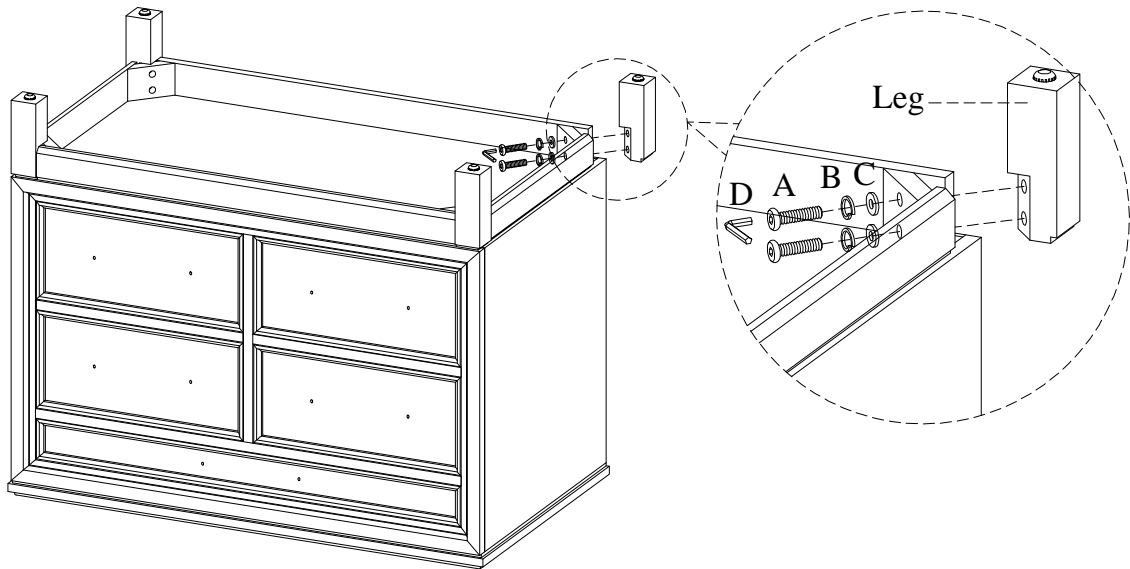
FOR INDOOR USE ONLY



ITEM NO: I3014-378 Workstation/Combo File

STEP 1: Put the case upside down on a soft surface.

STEP 2: Attach the legs to the bottom of case by using 8 bolts(A), lock washers(B), flat washers(C) with the allen wrench(D). Completely tighten all bolts.



STEP 3: Return the assembled case to the upright position.

STEP 4: Reverse each handle by removing the screws while each drawer is open and attach all handles to the front of the drawers with screws as shown below.

