

WW25B6900AW

2.5 cu. ft. Smart Dial Front Load Washer with Super Speed Wash and Steam

SAMSUNG



Available Color



Features

- Super Speed Wash
- AI Smart Dial
- Wi-Fi Connectivity¹
- 2.5 cu. ft. Capacity
- Steam
- Self Clean+
- Vibration Reduction Technology+
- Swirl+ Drum Interior
- Closet-Depth Fit²
- Flexible Installation
- ENERGY STAR[®] Most Efficient
- Digital Inverter Motor
- 1400 RPM Maximum Spin Speed
- Internal Water Heater
- 24 Total Washing Cycles
- 13 Options

Convenience

- Child Lock
- Dispenser Trays: Main Wash, Softener, Bleach

Ratings



ENERGY STAR[®] Most Efficient
CEE Tier 2
IMEF = 2.25
IWF = 3.7
90 kWh/yr

Electrical Requirements

120 V / 60 Hz
15 Amps

Specifications

24 Total Washing Cycles:

Eco Cold, Normal, Heavy Duty, Perm Press, Towels, Self Clean+, Activewear, Delicates, Wool, Rinse+Spin, Bedding, Small Load, Colors, Spin Only, Outdoor, Denim, Super Speed, Steam Sanitize, Steam Allergen, Steam Normal, Power Steam, Steam Whites, Steam Bedding, Power Rinse

13 Additional Washing Options:

Super Speed, Delay End, My Cycles, Pre Soak, Extra Rinse, Smart Control, AI Pattern, Alarm, Calibration, Wi-Fi, Language, Child Lock, Factory Reset

5 Temperature Settings:

Extra Hot, Hot, Warm, Cold, Tap Cold

5 Spin Settings:

Extra High, High, Medium, Low, Extra Low

5 Soil Settings:

Extra Heavy, Heavy, Normal, Light, Extra Light

Warranty

One (1) Year Parts and Labor
Three (3) Years Stainless Steel Tub (Part Only)
Twenty (20) Years; Washing DIT (Digital Inverter Motor) Motor Part (Part Only)

Product Dimensions & Weight (WxHxD)

Dimensions: 23⁵/₈" x 33¹/₂" x 26¹³/₁₆"
Weight: 163.1 lbs

Shipping Dimensions & Weight (WxHxD)

Dimensions: 26¹/₄" x 35¹/₁₆" x 27⁷/₁₆"
Weight: 167.6 lbs

Washer	Model #	UPC Code
White	WW25BG6900AW	887276650319
Matching Electric Dryer		
White	DV25BG6900EW	887276665184
Matching Heat Pump Dryer		
White	DV25BG6900HW	887276665207

Optional Accessories	Model #	UPC Code
Stacking Kit	SK-DH	887276151052

¹ Requires wireless network, Samsung account and Samsung SmartThings App. The Samsung SmartThings App supports Android OS 4.0 (ICS) or later which is optimized for Samsung smartphones (Galaxy S and Galaxy Note series). This app also supports iOS 7 or later for iPhone models. Samsung SmartThings App available in App Store and Play Store.

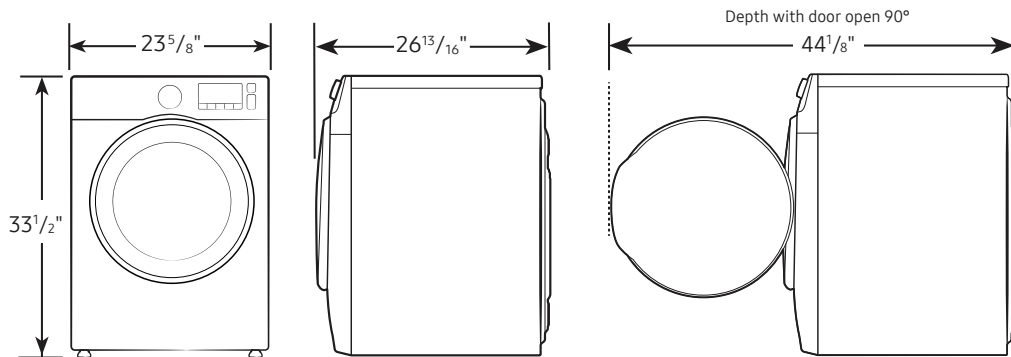
² Designed to fit a 30" installation depth.

WW25B6900AW

2.5 cu. ft. Smart Dial Front Load Washer with Super Speed Wash and Steam

SAMSUNG

Dimensions

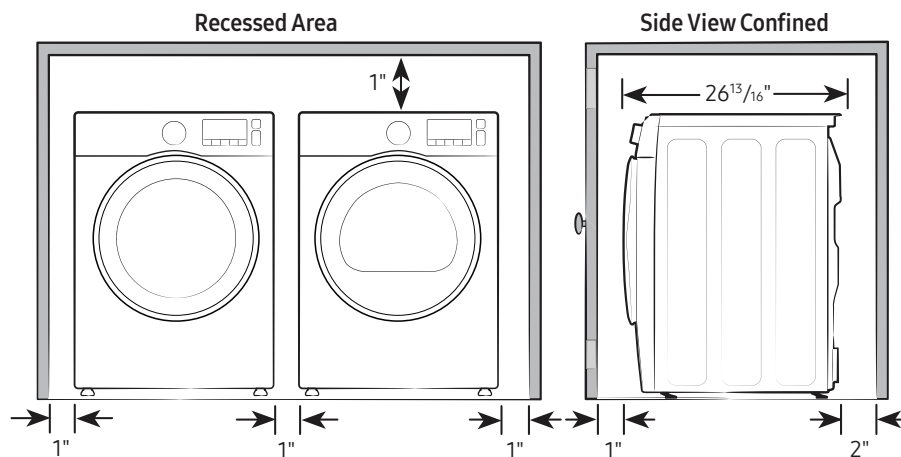


Installation Specifications – Side-by-Side or Stand-Alone

If the washer and dryer are installed together or the dryer alone, the closet front must have two unobstructed air openings for a combined minimum total area of 72-inch². Your washer alone does not require a specific air opening.

Alcove or closet installation

Minimum clearances for
closet and alcove installations:

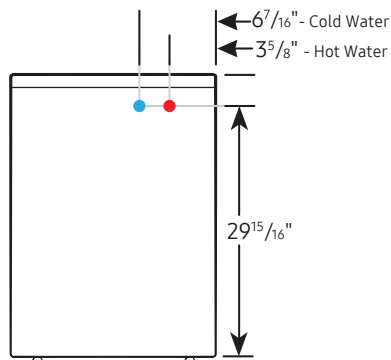


Connection Dimensions

Back view of washer

LEGEND:

- Cold Water Connection
- Hot Water Connection



Actual color may vary. Design, specifications, and color availability are subject to change without notice. Non-metric weights and measurements are approximate.

©2023 Samsung Electronics America, Inc., 85 Challenger Road, Ridgefield Park, NJ 07660. Tel: 800-SAMSUNG.samsung.com. Samsung is a registered trademark of Samsung Electronics Co., Ltd.

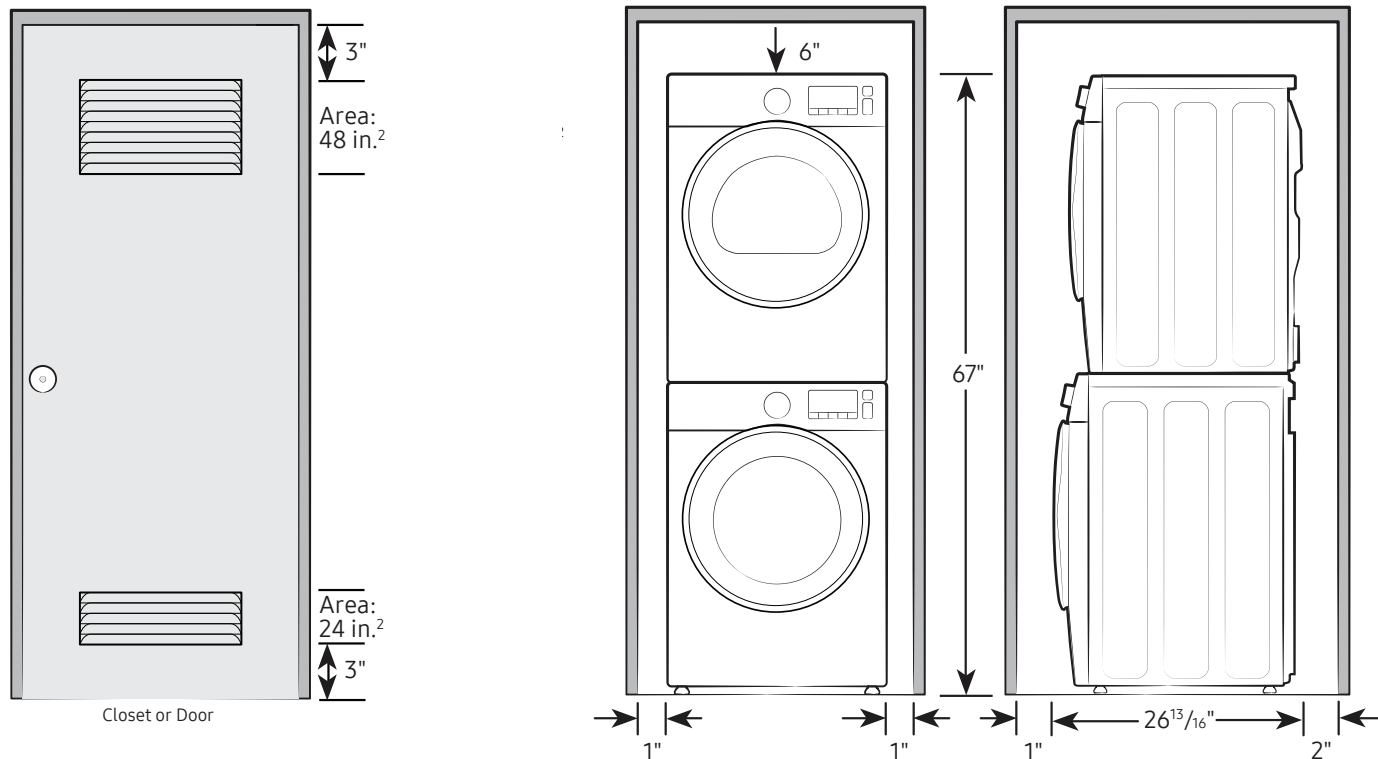
WW25B6900AW

SAMSUNG

2.5 cu. ft. Smart Dial Front Load Washer with Super Speed Wash and Steam

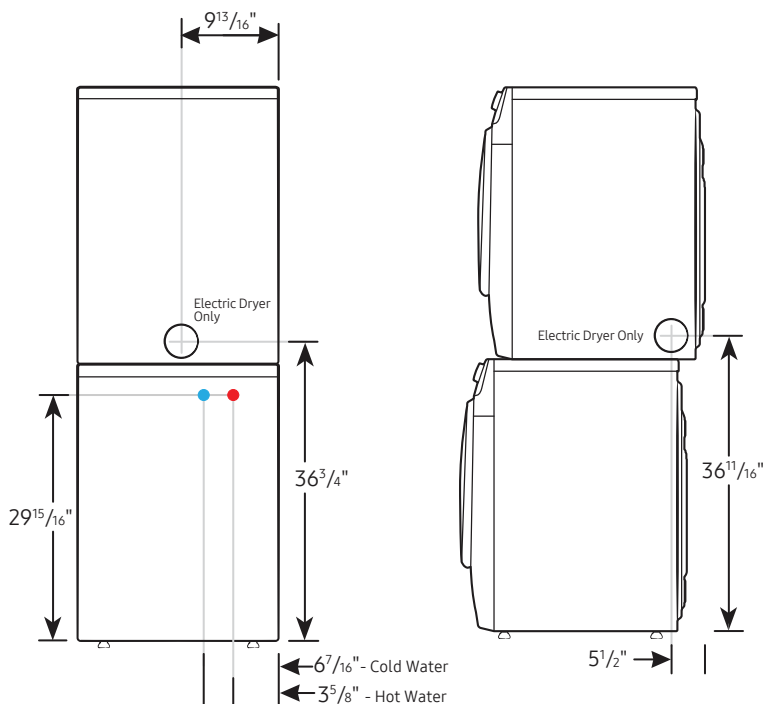
Installation Specifications – Stacked Pair

Clearances indicated are for stacked pairs. The closet front must have two unobstructed air openings for a combined minimum total area of 72-inch².



Connection Dimensions

Back and side views of stacked pair



LEGEND:

- Cold Water Connection
- Hot Water Connection

Actual color may vary. Design, specifications, and color availability are subject to change without notice. Non-metric weights and measurements are approximate.

©2023 Samsung Electronics America, Inc., 85 Challenger Road, Ridgefield Park, NJ 07660. Tel: 800-SAMSUNG.samsung.com. Samsung is a registered trademark of Samsung Electronics Co., Ltd.