



# Dryer

---

## User manual

DVE(G)55A7700\*/DVE(G)55A7300\*/DVE(G)52A5500\*

---

**SAMSUNG**

# Contents

---

<b>Safety information</b>	<b>4</b>
What you need to know about the safety instructions	4
Important safety symbols	4
CALIFORNIA PROPOSITION 65 WARNING	5
Important safety precautions	5
Warnings	8
Cautions	8
<b>Regulatory notice</b>	<b>10</b>
FCC Notice	10
IC Notice	11
Open Source Announcement	12
<b>Installation requirements</b>	<b>13</b>
Key installation requirements	13
Location considerations	13
Ducting requirements	17
Exhausting requirements	18
Gas requirements	19
Electrical requirements	20
<b>Installation</b>	<b>23</b>
What's included	23
Step-by-step installation	25
Vent blockage test	33
Exhaust ducting guide	35
Switching the door position	36
<b>Before you start</b>	<b>39</b>
Sort and load	39
Functional prerequisite	39
Rack Dry (applicable models only)	40

---

<b>Operations</b>	<b>42</b>
Control panel	42
Simple steps to start	45
Cycle overview	46
Cycle chart	48
Cycle guide	51
Special features	52
<b>Maintenance</b>	<b>54</b>
Cleaning	54
<b>Troubleshooting</b>	<b>55</b>
Checkpoints	55
Information codes	58
<b>Specifications</b>	<b>60</b>
Fabric care chart	60
Protecting the environment	61
Specification sheet	62



# Safety information

---

Congratulations on your new Samsung dryer. This manual contains important information on the installation, use and care of your appliance. Please take some time to read this manual to take full advantage of your dryer's many benefits and features.

## What you need to know about the safety instructions

---

Please read this manual thoroughly to ensure that you know how to safely and efficiently operate the extensive features and functions of your new appliance. Please store the manual in a safe location close to the appliance for future reference. Use this appliance only for its intended purpose as described in this instruction manual.

Warnings and Important Safety Instructions in this manual do not cover all possible conditions and situations that may occur. It is your responsibility to use common sense, caution and care when installing, maintaining and operating your dryer.

Because the following operating instructions cover various models, the characteristics of your dryer may differ slightly from those described in this manual and not all warning signs may be applicable. If you have any questions or concerns, contact your nearest service center or find help and information online at [www.samsung.com](http://www.samsung.com).

## Important safety symbols

---

What the icons and signs in this user manual mean:

### **WARNING**

Hazards or unsafe practices that may result in severe personal injury, death and/or property damage.

### **CAUTION**

Hazards or unsafe practices that may result in personal injury and/or property damage.

### **NOTE**

Indicates that a risk of personal injury or material damage exists.

**These warning signs are here to prevent injury to yourself and others.**

**Please follow them explicitly.**

**After reading this manual, store it in a safe place for future reference.**

Read all instructions before using the appliance.

As with any equipment that uses electricity and moving parts, potential hazards exist.

To safely operate this appliance, familiarize yourself with its operation and exercise care when using it.

# SAVE THESE INSTRUCTIONS





### **WARNING - Risk of Fire**

- Clothes dryer installation must be performed by a qualified installer.
- Install the clothes dryer according to the manufacturer's instructions and local codes.
- Do not install a clothes dryer with flexible plastic venting materials. If flexible metal (foil type) duct is installed, it must be of a specific type identified by the appliance manufacturer as suitable for use with clothes dryers. Flexible venting materials are known to collapse, be easily crushed, and trap lint. These conditions will obstruct clothes dryer airflow and increase the risk of fire.
- To reduce the risk of severe injury or death, follow all installation instructions.
- Save these instructions.

### **CALIFORNIA PROPOSITION 65 WARNING**

#### **WARNING**

Cancer and Reproductive Harm - [www.P65Warnings.ca.gov](http://www.P65Warnings.ca.gov).

### **Important safety precautions**

#### **WARNING**

To reduce the risk of fire, electric shock, or injury to persons when using your appliance, follow basic precautions, including the following:

1. Read all instructions before using this appliance.
2. Do not dry articles that have been previously cleaned in, washed in, soaked in, or spotted with gasoline, dry-cleaning solvents, or other flammable or explosive substances, as they give off vapors that could ignite or explode.
3. Do not use the dryer to dry clothes which have traces of any flammable substance, such as vegetable oil, cooking oil, machine oil, flammable chemicals, paint thinner, etc., or anything containing wax or chemicals, such as mops and cleaning cloths. Flammable substances may cause the fabric to catch fire by itself.
4. Do not store or use gasoline or other flammable vapors and liquids near this or any other appliance.
5. Do not allow children to play on or in the appliance. Close supervision of children is necessary when the appliance is used near children.

# **SAVE THESE INSTRUCTIONS**



# Safety information

---

6. Before the appliance is removed from service or discarded, remove the door to the drying compartment.
7. Do not reach into the appliance if the drum is moving.
8. Do not install or store this appliance where it will be exposed to the weather.
9. Do not tamper with internal controls.
10. Do not repair or replace any part of the appliance or attempt any service unless specifically recommended in the user-maintenance instructions or in published user-repair instructions that you understand and have the skills to carry out.
11. Do not use fabric softeners or products to eliminate static unless recommended by the manufacturer of the fabric softener or product.
12. Clean the lint screen before or after each load.
13. Do not use heat to dry articles containing foam rubber or similarly textured rubber-like materials.
14. Keep area around the exhaust opening and adjacent surrounding areas free from the accumulation of lint, dust, and dirt.
15. The interior of the appliance and exhaust duct should be cleaned periodically by qualified service personnel.
16. Do not place items exposed to cooking oils in your dryer. Items contaminated with cooking oils may contribute to a chemical reaction that could cause a load to catch fire. To reduce the risk of fire due to contaminated loads, the final part of a tumble dryer cycle occurs without heat (cool down period). Avoid stopping a tumble dryer before the end of the drying cycle unless all items are quickly removed and spread out so that the heat is dissipated.
17. This appliance must be grounded. See “**Electrical requirements**” and “**Grounding**” in “**Installation**” section.
18. Do not allow children to play on or in the appliance. Close supervision of children is necessary when the appliance is used near children.
19. Do not insert your hand under the dryer.
  - This may result in injury.
20. Take care that children’s fingers are not caught in the door when closing it.
  - This may result in injury.
21. Control board and inlet valve are intentionally not grounded and may present a risk of electric shock only during servicing.
  - Do not contact this part while appliance is energized.

**SAVE THESE INSTRUCTIONS**



**⚠ WARNING - To reduce the risk of fire or explosion:**

- Do not dry items that have been previously cleaned, washed, soaked, or spotted with gasoline, dry cleaning solvents, or other flammable or explosive substances. They emit vapors that could ignite or explode. Any material that has been in contact with a cleaning solvent or flammable liquids or solids should not be placed in the dryer until all traces of these flammable liquids or solids and their fumes have been removed. There are many highly flammable items used in homes, such as acetone, denatured alcohol, gasoline, kerosene, some liquid household cleaners, some spot removers, turpentine, wpees, and wpe removers.
- Items containing foam rubber (may be labeled latex foam) or similarly textured rubberlike materials must not be dried on a heat setting. Heated foam rubber materials can, under certain circumstances, produce fire by spontaneous combustion.

**⚠ WARNING - What to do if you smell gas:**

- Do not try to light any appliance.
- Do not turn on the appliance.
- Do not touch any electrical switch.
- Do not use any phone in your building.
- Clear the room, building or area of all occupants.
- Immediately call your gas supplier from a neighbor's phone. Follow the gas supplier's instructions.
- If you cannot reach your gas supplier, call the fire department.
- Installation and service must be performed by a qualified installer, service agency, or the gas supplier.

# SAVE THESE INSTRUCTIONS



# Safety information

---

## Warnings

---

### WARNING

- Ensure pockets are free from small, irregularly shaped hard objects, foreign material, etc. ie. coins, knives, pins, etc. These objects could damage your dryer.
- Gas leaks may occur in your system, resulting in a dangerous situation.

## Cautions

---

### CAUTION

- Do not allow children or pets to play on, in, or in front of the appliance. Close supervision is necessary when the appliance is used near children and pets.
- Before discarding or removing your dryer from service, remove the door to the drying compartment to prevent children or animals from becoming trapped inside.
- Do not reach into the appliance when the drum is moving.
- Do not install or store this appliance where it will be exposed to the weather.
- Do not tamper with controls.
- Do not repair, replace, or attempt to service any part of the appliance unless specifically instructed to in the user-repair instructions and you have the understanding and skills to carry out the procedure.
- Do not use fabric softeners or products to eliminate static unless the softener or product is recommended for dryer use by the manufacturer of the fabric softener or product.
- Clean the lint screen before or after each load.
- Keep the area around the exhaust opening and surrounding areas free from lint, dust, and dirt.
- The interior of the dryer and exhaust duct should be cleaned periodically by qualified service personnel.
- This appliance must be properly grounded. Never plug the power cord into a receptacle that is not grounded adequately or not in accordance with local and national codes. See installation instructions for information about grounding this appliance.
- Do not sit on top of the dryer.
- Do not wash clothing with large buckles, buttons, or other heavy metal or solid objects.
- Gas leaks may not be detected by smell alone.
- Gas suppliers recommend you purchase and install a UL-approved gas detector.
- Install and use in accordance with the manufacturer's instructions.

**SAVE THESE INSTRUCTIONS**



- 
- Do not place items in your dryer that have been spotted or soaked with vegetable oil or cooking oil. Even after being washed, these items may contain significant amounts of these oils.
  - Residual oil on clothing can ignite spontaneously. The potential for spontaneous combustion increases when items containing vegetable oil or cooking oil are exposed to heat. Heat sources such as your dryer can warm these items, allowing an oxidation reaction in the oil to occur. Oxidation creates heat. If this heat cannot escape, the items can become hot enough to catch fire. Piling, stacking, or storing these kinds of items may prevent heat from escaping and can create a fire hazard.
  - All washed and unwashed fabrics that contain vegetable oil or cooking oil can be dangerous. Washing these items in hot water with extra detergent will reduce, but not eliminate, the hazard. Always use the Cool Down cycle for these items to reduce their temperature. Never remove these items from the dryer hot or interrupt the drying cycle until the items have run through the Cool Down cycle. Never pile or stack these items when they are hot.

**SAVE THESE INSTRUCTIONS**

# Regulatory notice

---

## FCC Notice

---

### CAUTION

Any changes or modifications not expressly approved by the party responsible for compliance could void the user's authority to operate the equipment.

This device complies with Part 15 of FCC Rules. Operation is Subject to following two conditions:

1. This device may not cause harmful interference, and
2. This device must accept any interference received including interference that cause undesired operation.

For products sold in the US and Canadian markets, only channels 1-11 are available. You cannot select any other channels.

### **FCC STATEMENT:**

This equipment has been tested and found to comply within the limits for a Class B digital device, pursuant to part 15 of the FCC Rules. These limits are designed to provide reasonable protection against harmful interference in a residential installation.

This equipment generates, uses, and can radiate radio frequency energy and, if not installed and used in accordance with the instructions, may cause harmful interference to radio communications. However, there is no guarantee that interference will not occur in a particular installation. If this equipment does cause harmful interference to radio or television reception, which can be determined by turning the equipment off and on, the user is encouraged to try to correct the interference by one or more of the following measures:

- Reorienting or relocating the receiving antenna
- Increasing the separation between the equipment and receiver
- Connecting the equipment to an outlet that is on a different circuit than the radio or TV.
- Consulting the dealer or an experienced radio/TV technician for help.

### **FCC RADIATION EXPOSURE STATEMENT:**

This equipment complies with FCC radiation exposure limits set forth for an uncontrolled environment. This equipment should be installed and operated so there is at least 8 inches (20 cm) between the radiator and your body. This device and its antenna(s) must not be colocated or operated in conjunction with any other antenna or transmitter.

## SAVE THESE INSTRUCTIONS

---

Unintentional emitter per FCC Part 15  
Product type : Clothes Dryers  
Model : DVE55A7300\*  
Responsible Party - U.S. Contact Information  
Samsung Electronics America, Inc.  
QA Lab America  
19 Chapin Rd. Building D Pine Brook NJ 07058  
Tel: 1-973-808-6375 Fax: 1-973-808-63

## IC Notice

The term "IC" before the radio certification number only signifies that Industry Canada technical specifications were met. Operation is subject to the following two conditions:

1. This device may not cause interference, and
2. This device must accept any interference, including interference that may cause undesired operation of the device.

This Class B digital apparatus complies with Canadian ICES-003.

Cet appareil numérique de la classe B est conforme à la norme NMB-003 du Canada.

For products sold in the US and Canadian markets, only channels 1-11 are available. You cannot select any other channels.

### IC RADIATION EXPOSURE STATEMENT:

This equipment complies with IC RSS-102 radiation exposure limits set forth for an uncontrolled environment. This equipment should be installed and operated so there is at least 8 inches (20 cm) between the radiator and your body. This device and its antenna(s) must not be colocated or operated in conjunction with any other antenna or transmitter.

# SAVE THESE INSTRUCTIONS

# Regulatory notice

---

## Open Source Announcement

---

The software included in this product contains open source software. You may obtain the complete corresponding source code for a period of three years after the last shipment of this product by sending an email to <mailto:oss.request@samsung.com>.

It is also possible to obtain the complete corresponding source code in a physical medium such as a CD-ROM; a minimal charge will be required.

The following URL [http://opensource.samsung.com/opensource/SMART\\_AT\\_051/seq/0](http://opensource.samsung.com/opensource/SMART_AT_051/seq/0) leads to the download page of the source code made available and open source license information as related to this product. This offer is valid to anyone in receipt of this information.



### NOTE

Hereby, Samsung Electronics, declares that the radio equipment type appliance is in compliance with Directive 2014/53/EU. The full text of the EU declaration of conformity is available at the following internet address: The official Declaration of conformity may be found at <http://www.samsung.com>, go to Support > Search Product Support and enter the model name.

Wi-Fi max transmitter power : 20 dBm at 2.412 GHz - 2.472 GHz

## SAVE THESE INSTRUCTIONS



# Installation requirements

---

Read through the following instructions before installing the dryer, and keep this manual for future reference.

## **WARNING**

Certain internal parts are intentionally not grounded and may present a risk of electric shock only during servicing. Service Personnel - Do not contact the following parts while the appliance is energized: Control board and inlet valve.

## Key installation requirements

---

- A grounded electrical outlet.
- A power cord for electric dryers (except in Canada).
- Gas lines (for gas models) that must meet national and local regulations.
- An exhaust system made of rigid metal or flexible stiff-walled metal exhaust ducting.

## **WARNING**

Remove the door from all discarded appliances to prevent a child from suffocating.

## Location considerations

---

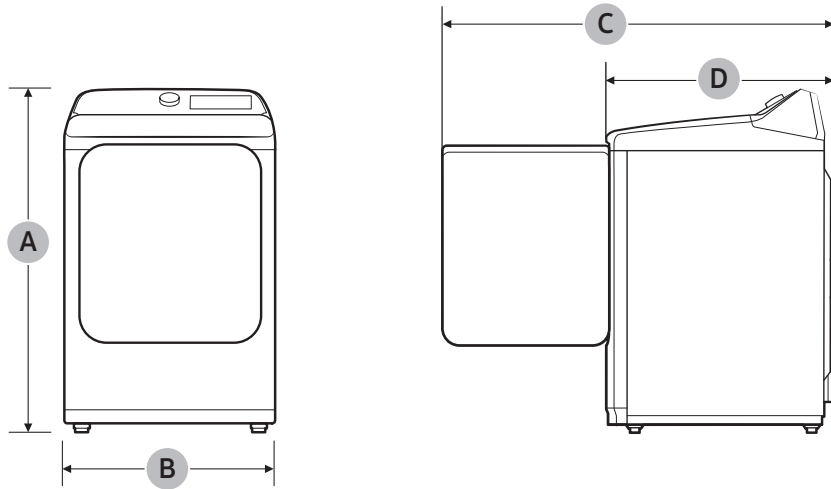
- Adequate clearances between the dryer and adjacent walls or other surfaces.
- Adequate air circulation for ventilation and gas combustion.
- Away from water and weather.

## **WARNING**

- Make sure to exhaust the dryer outdoors to reduce the risk of fire.
- Keep the dryer area clear of combustible materials, gasoline, and other flammable vapors and liquids.
- Do not install other fuel-burning appliances around or in the same place as the dryer.
- Place the dryer at least 18 in. (460 mm) above the floor for garage installation.

# Installation requirements

## Dimensions



Type		Front loading dryer	
Model		DVE(G)55A7****	DVE(G)52A5****
Dimensions (in. (mm))	A. Overall height	45.3 (1150)	44.6 (1132)
	B. Width	27.0 (686)	
	C. Depth with door open	50.1 (1273)	
	D. Depth	30.2 (768)	

## Clearance requirement

This clearance requirement is applicable for dryers only.

### NOTE

- For washer's clearance requirement, see the washer's user manual.
- If the washer and dryer have different clearance requirements, use the one with the larger value.

### Alcove or closet installations

#### WARNING

- The dryer must be exhausted to the outside to reduce the risk of fire when installed in an alcove or closet.
- No other fuel-burning appliance should be installed in the same closet as the dryer.
- Place the dryer at least 18 in. (460 mm) above the floor for garage installation.

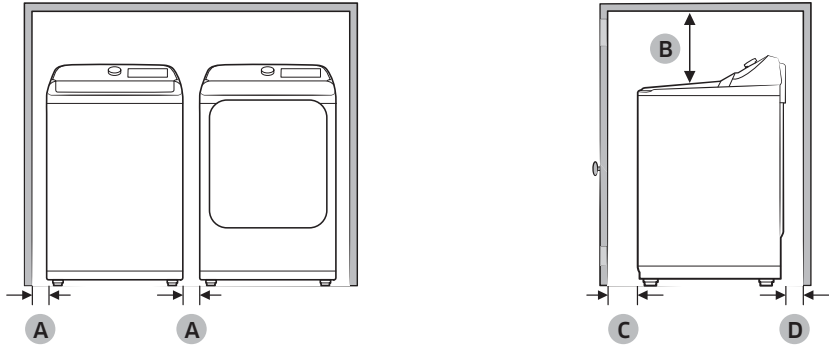
Minimum clearance for stable operation:

Sides	Top	Rear	Front
1 in. / 25 mm	17 in. / 432 mm	5.9 in. / 150 mm	1 in. / 25 mm

If both the washer and a dryer are installed in the same location, the front of the alcove or closet must have two unobstructed air openings for a combined minimum total area of 72 in.<sup>2</sup> (465 cm<sup>2</sup>).

# Installation requirements

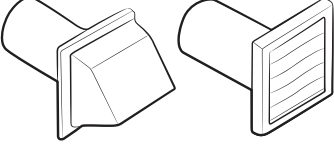
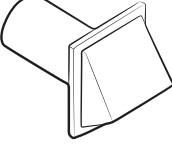
This clearance requirement is applicable for washer and dryer pair installation.  
Side by side installation



A	1 in. (25 mm)
B	21 in. (533 mm)
C	1 in. (25 mm)
D	5.9 in. (150 mm)

Installation requirements

## Ducting requirements

	Recommended	Use only for short-run installation
Weather hood type	 4" (10.2 cm)	 2.5" (6.4 cm)
No. of 90° elbows	Rigid	Rigid
0	80 ft. (24.4 m)	74 ft. (22.6 m)
1	68 ft. (20.7 m)	62 ft. (18.9 m)
2	57 ft. (17.4 m)	51 ft. (15.5 m)
3	47 ft. (14.3 m)	41 ft. (12.5 m)

### NOTE

\* Use a 4-inch (10.2 cm) diameter rigid aluminum or galvanized steel duct.

### If you integrate the dryer's vent system with an existing exhaust system, make sure:

- The exhaust system meets all applicable local, state, and national regulations.
- Not to use a flexible plastic duct.
- To regularly check and clean all lint buildup from inside the existing ducts.
- The duct is not kinked or crushed.
- The exhaust hood damper opens and closes freely.

### Manometer measurements

The static pressure in any exhaust system must not exceed 0.83 inches of water column or be less than 0. Note that these values are measured with the dryer running with a manometer presented to the exhaust duct that connects to the dryer. The dryer tumbler must be empty and lint filter clean.



# Installation requirements

---

## Exhausting requirements

---

The dryer must not be exhausted into a chimney, a wall, a ceiling, an attic, a crawl space, or a concealed space of a building. Exhausting the dryer to the outside will prevent large amounts of lint and moisture from being blown into the room.

### In the United States and Canada

- All dryers must be exhausted to the outside.
- The required exhaust duct is 4 inches (10.2 cm) in diameter.
- See “**Ducting requirements**” in the “**Installation**” section for the maximum duct length and number of bends that can be used.
- The total length of flexible metal duct must not exceed 7' 10 1/2" (2.4 m).
- Do not assemble the duct with screws or other fastener means that extend into the duct and catch lint.
- **For the United States only:** Use only those foil-type flexible ducts, if any, specifically identified for use with the appliance by the manufacturer and that comply with the Outline for Clothes Dryer Transition Duct. Use Subject 2158A.

### Outside the United States and Canada

- Refer to the local codes.

#### **WARNING**

- You must exhaust the dryer to the outside to reduce the risk of fire when you install the dryer in an alcove or closet.
- Do not use a plastic or non-metal flexible duct.
- If your existing ductwork is plastic, non-metal, or combustible, replace it with metal.
- Use only a metal exhaust duct that is non-flammable to ensure containment of exhaust air, heat, and lint.



## Gas requirements

### **WARNING**

- Use only natural or LP (liquid propane) gases.
- The installation must be conformed with local codes, or in the absence of local codes, with the national fuel gas code, ANSI Z223.1/NFPA 54, latest revision (for the UNITED STATES), or with the natural gas and propane installation code, CSA B149.1 (for Canada).

- Gas dryers are equipped with a burner vent for use with natural gas. If you plan to use your dryer with LP (liquid propane) gas, it must be converted for safe and proper performance by a qualified service technician. **(LNG models only)**

You must check the burner of your model and use the proper LP Kit accordingly. To check the detail information of the burner, open the door and check the rating label location on the door frame.

- 20,000 BTU: LPKIT-4/XAA (DC98-04114A)
- 22,000 BTU: LPKIT-3/XAA (DC99-00792A)
- A 1/2" (1.27 cm) gas supply line is recommended and must be reduced to connect to the 3/8" (1 cm) gas line on your dryer. The National Fuel Gas Code requires that an accessible, approved manual gas shut-off valve be installed within 6" of your dryer.
- Gas dryers installed in residential garages must be raised 18 inches (46 cm) above the floor.

- Additionally, a 1/8" (0.3 cm) N.P.T. (National Pipe Thread) plugged tapping, accessible for test gauge connection, must be installed immediately upstream of your dryer's gas supply connection.
- Your dryer must be disconnected from the gas supply pipe system during any pressure testing of the system.
- Do not reuse old flexible metal gas lines. Flexible gas lines must be designed and certified by the standard for connectors for Gas Appliances, ANSI Z21.24 • CSA 6.10.

### **NOTE**

- Your dryer uses an automatic ignition system to ignite the burner. There is no constant burning pilot.
- Any pipe joint compound used must be resistant to the action of any liquefied petroleum gas.
- As a courtesy, most local gas utilities will inspect a gas appliance installation.

### **Commonwealth of Massachusetts installation instructions**

Your dryer must be installed by a licensed plumber or gas fitter. A "T" handle manual gas valve must be installed in the gas supply line to your dryer. If a flexible gas connector is used to install your dryer, the connector can be no longer than 3' (36").

### **WARNING**

- Gas leaks may occur in your system, creating a dangerous situation.
- Gas leaks may not be detected by smell alone.
- Gas suppliers recommend you purchase and install a UL-approved gas detector.

# Installation requirements

- Install and use in accordance with the manufacturer's instructions.

## Electrical requirements

The wiring diagram is located on the plate under the control panel or rear frame.

### **WARNING**

- Improperly connecting the equipment grounding conductor can result in a risk of electric shock. Check with a qualified electrician or serviceman if you are in doubt as to whether your dryer is properly grounded. Do not modify the plug provided with your dryer – if it doesn't fit the outlet, have a proper outlet installed by a qualified electrician.
- To prevent unnecessary risk of fire, electrical shock, or personal injury, all wiring and grounding must be done in accordance with local codes, or in the absence of local codes, in accordance with the National Electrical Code, ANSI/NFPA No. 70-Latest Revision (for the U.S.) or the Canadian Electrical Code CSA C22.1 – Latest Revisions and local codes and ordinances. It is your responsibility to provide adequate electrical service for your dryer.
- All gas installations must be done in accordance with the national Fuel Code ANSI/Z2231 – Latest Revision (for the U.S.) or CAN/CGA – B149 Installation Codes – Latest Revision (for Canada) and local codes and ordinances.

## Grounding

This dryer must be grounded. In the event of malfunction or breakdown, the ground will reduce the risk of electrical shock by providing a path of least resistance for the electrical current.

## Gas models

### **WARNING**

- Your dryer has a cord with an equipment-grounding conductor and a grounding plug. The plug must be plugged into an appropriate outlet that is properly installed and grounded in accordance with all local codes and ordinances.
- Do not modify the plug provided with your dryer – if it doesn't fit the outlet, have a proper outlet installed by a qualified electrician.
- Do not connect the ground wire to plastic plumbing lines, gas lines, or hot water pipes.



---

## Electric models

### **WARNING**

- Your dryer has an optional cord with an equipment-grounding conductor and a grounding plug. This cord is sold separately.
- The plug must be plugged into an appropriate outlet that is properly installed and grounded in accordance with all local codes and ordinances.
- Do not modify the plug provided with your dryer – if it doesn't fit the outlet, have a proper outlet installed by a qualified electrician.
- If a power cord is not used and the electric dryer is to be permanently wired, the dryer must be connected to a permanently grounded metal wiring system, or an equipment grounding conductor must be run with the circuit conductors and connected to the equipment grounding terminal or lead on the dryer.

## Electrical connections

Before operating or testing, follow all grounding instructions in the “**Grounding**” section. An individual branch (or separate) circuit serving only your dryer is recommended.

Do not use an extension cord.

### Gas models – U.S. and Canada

A 120 volt, 60 Hz AC approved electrical service with a 15-ampere fuse or circuit breaker is required.

### Electric models – U.S. only

Most U.S. dryers require a 120 / 240 volt, 60 Hz AC approved electrical service. Some require 120 / 208 volt, 60 Hz approved electrical service. The electric service requirements can be found on the data label located behind the door. A 30-ampere fuse or circuit breaker on both sides of the line is required.

- If a power cord is used, the cord should be plugged into a 30-ampere receptacle.
- The power cord is not provided with U.S. electric model dryers. This cord is sold separately.



# Installation requirements

---

## **WARNING**

### **Risk of Electric Shock**

When local codes allow, you can connect the dryer's electrical supply with a new power supply cord kit, marked for use with a dryer, that is U.L. listed and rated at a minimum of 120 / 240 volts, 30-amperes with three No. 10 copper wire conductors terminated with closed loop terminals, open-end spade lugs with turned up ends, or with tinned leads.

- Do not reuse a power supply cord from an old dryer. The power cord electric supply wiring must be supported at the dryer cabinet by a suitable UL-listed strain relief.
- Grounding through the neutral conductor is prohibited for (1) new branch-circuit installations, (2) mobile homes, (3) recreational vehicles, and (4) areas where local codes prohibit grounding through the neutral conductor. (Use a 4-prong plug for a 4 wire receptacle, NEMA type 14-30R.)

### **Electric models – Canada Only**

A 120 / 240 volt, 60 Hz AC approved electrical service fused through a 30-ampere fuse or circuit breaker on both sides of the line is required.

### **NOTE**

All Canadian models are shipped with the power cord attached. The power cord should be plugged into a 30-ampere receptacle. In Canada, you may convert a dryer to 120 / 208 volts.

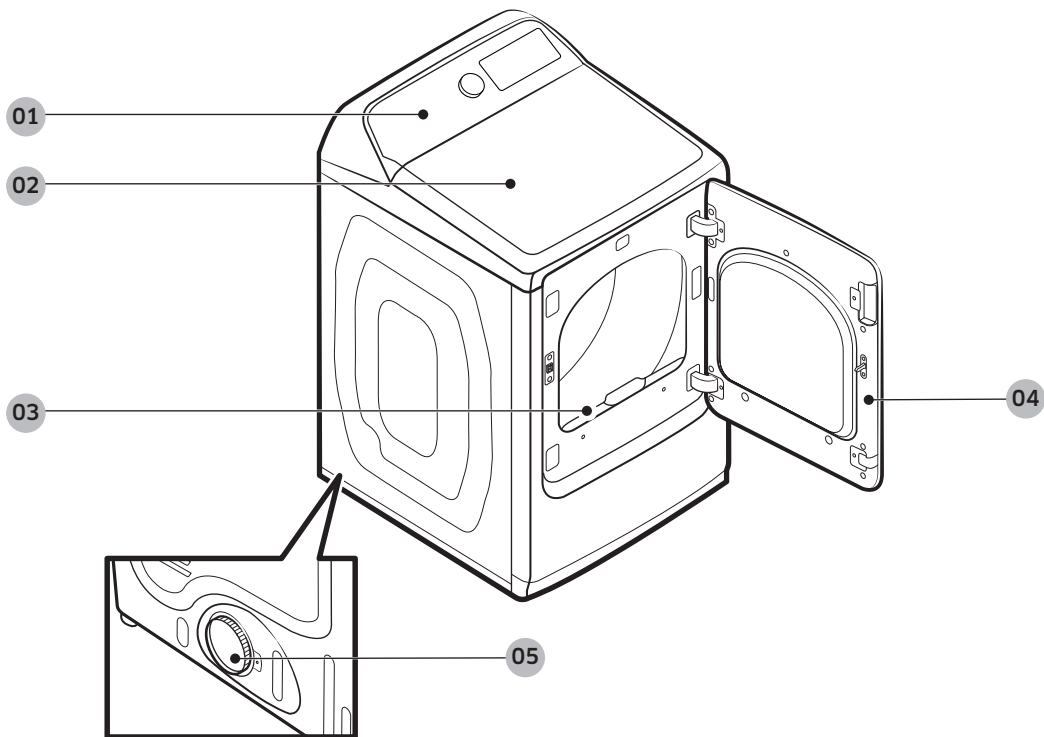


# Installation

This dryer must be installed by a qualified technician. The installer is responsible for connecting the dryer to the main power while observing the relevant safety regulations of your area.

## What's included

Make sure all the parts are included in the product package. If you have a problem with the dryer or the parts, contact a local Samsung customer center or the retailer.



**01** Control panel

**02** Worktop

**03** Lint filter

**04** Door

**05** Exhaust duct

# Installation

## Parts supplied



Y-connector

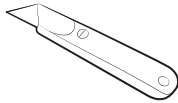


Short water hose

## Tools needed for installation



Pliers



Cutting knife



Pipe wrench (gas models only)



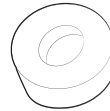
Nut driver



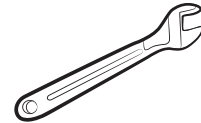
Level



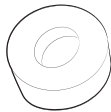
Phillips screwdriver



Duct tape



Wrench



LPG-safe compound  
or Teflon Tape (for  
gas installation)

### **WARNING**

Packing materials can be dangerous to children. Keep all packing materials (plastic bags, polystyrene, etc.) out of children's reach.



---

## Step-by-step installation

---

Make sure you have a qualified technician install the dryer. Step by step installation instructions start below.

- Do not remove the protective film on the door before completing the product installation. If you remove the protective film before the installation is complete, the door may get scratched or damaged during installation.
- Make sure the installation location allows enough space for the dryer door to be fully open.

### STEP 1 Install the exhaust system

---

1. Select a location and move the dryer to the site. For easy access, we recommend you install the dryer in the same location as your washer.
2. To change the door direction, see “Switching the door position” on page 36.
3. Install the exhaust system as instructed in the “Exhaust ducting guide” section.

#### CAUTION

Before installing your dryer, remove the packing in the duct.

#### NOTE

- To move the dryer easily, lay two of the carton cushion-from the packaging on the floor. Tip the dryer on its side so it lies across both cushion-tops. Push the dryer so that it is near its final location, and then set the dryer upright.
- Secure room around the dryer to facilitate ducting and wiring.

### STEP 2 Connect the gas line (for gas models)

---

Before connecting the gas line, make sure you have read the “Gas requirements” section on page 19.

1. Remove the protective cap from the gas pipe.
2. Apply an LPG (Liquefied Petroleum Gas)-safe compound or 1.5 wraps of Teflon tape to all threaded connections.
3. Connect the gas supply to the dryer. An additional fitting is required to connect the 3/4” (1.9 cm) female thread end of a flexible connector to the 3/8” (1 cm) male threaded end on the dryer. Tighten up the fitting over all threads.
4. Turn on the gas supply, and check for any leaks using a soap solution. If a leak is found, tighten the connections and try again. Do not use an open flame to check for gas leaks.

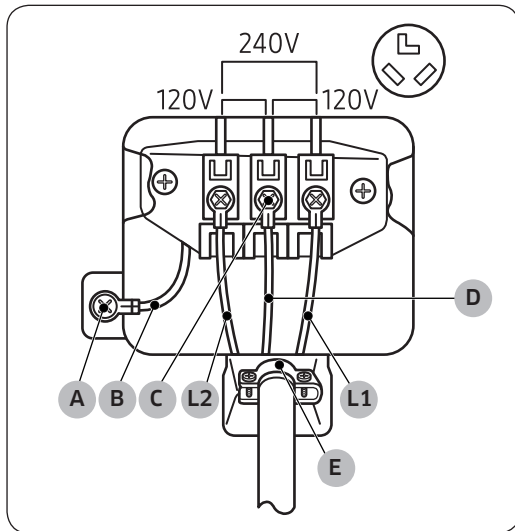


# Installation

## STEP 3 Connect the electrical wiring (for electric models)

Before connecting the electrical wiring, make sure you have read the “**Electrical requirements**” section on page 20.

### 3-wire system



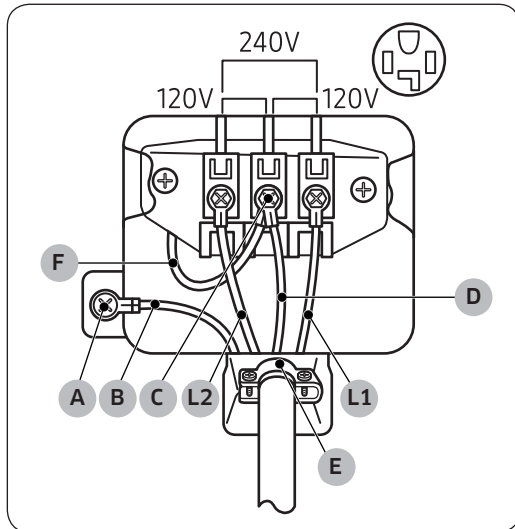
- A. External ground connector
- B. Neutral grounding wire (white)
- C. Center silver-colored terminal block screw
- D. Neutral wire (white or center wire)
- E. 3/4" (1.9 cm) UL-listed strain relief

1. Loosen or remove the screws from the center terminal block.
2. Connect the neutral wire (white or center wire) of the power cable to the center, silver-colored terminal screw of the terminal block. Tighten the screws.
3. Connect the other wires to outer terminal block screws. Tighten the screws.
4. Tighten the strain relief screws.
5. Insert the terminal block cover into the rear panel of the dryer. Then, secure the cover with a hold-down screw.

### ⚠ CAUTION

- To convert from the 4-wire system to 3-wire system, connect the ground strap to the terminal block support to ground the dryer frame to the neutral conductor.
- Ring-type terminals are recommended. If using strap terminals, make sure they are tightened.
- Connect the power cord and check L1/L2/N voltage. If the voltage is low, it may not heat properly. Review the “**Electrical requirements**” section on page 20 if needed.

## 4-wire system



- A. External ground connector
- B. Neutral grounding wire (white)
- C. Center silver-colored terminal block screw
- D. Neutral wire (white or center wire)
- E.  $\frac{3}{4}$ " (1.9 cm) UL-listed strain relief
- F. Neutral wire (white or center wire)

1. Remove the external ground connector's screw and connect the ground wire (green or unwrapped) of the power cable to the screw.

### **⚠ CAUTION**

- To connect the ground wire to the neutral position without through contact A (cabinet ground), contact a technician. This is not user serviceable.
  - Ring-type terminals are recommended. If using strap terminals, make sure they are tightened.
2. Loosen or remove the screws from the center terminal block.
  3. Connect the neutral wire (white or center wire) and ground wire (white) to the center screw of the terminal block. Tighten the screw.
  4. Connect the other wires to the outer terminal block screws. Tighten the screws.
  5. Tighten the strain relief screws.
  6. Insert the tab of the terminal block cover into the rear slot of the dryer. Secure the cover with a hold-down screw.

### **⚠ CAUTION**

Connect the power cord and check L1/L2/N voltage. If the voltage is low, it may not heat properly. Review the "Electrical requirements" section on page 20 if needed.

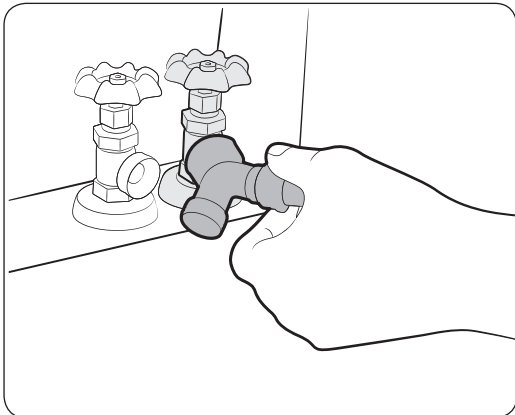
# Installation

## **⚠ WARNING**

- All U.S. models are designed for a 3-wire system connection. The dryer frame is grounded to the neutral conductor at the terminal block. A 4-wire system connection is required for new or remodeled construction, mobile homes, or if local codes do not permit grounding through neutral. If you use the 4-wire system, you cannot ground the dryer frame to the neutral conductor at the terminal block.
- Remove the terminal block cover plate. Insert the power cord with a UL-listed strain relief through the hole provided in the cabinet near the terminal block.
- A strain relief must be used. Do not loosen the nuts already installed on the terminal block. Be sure they are tight. Use a 3/8" (1 cm) deep well socket.
- Since January 1, 1996, The national electric code requires that new wiring (not existing) utilize a 4-wire connection to this dryer.

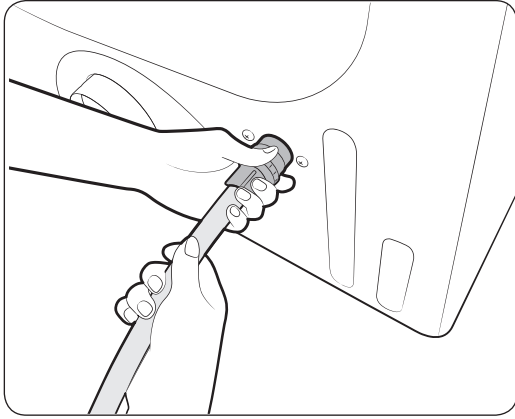
## **STEP 4 Connect the water hose**

The dryer must be connected to a cold water tap using the provided water hoses.



1. Close the cold water tap. If you have a washer's cold water hose attached to the cold water tap, unscrew and remove the hose. Then, connect the female end of the Y-connector to the cold water tap.
2. Connect the straight end of the water hose to the Y-connector.
3. Using pliers, tighten the coupling an additional two-thirds turn. Do not overtighten because the coupling may be damaged.



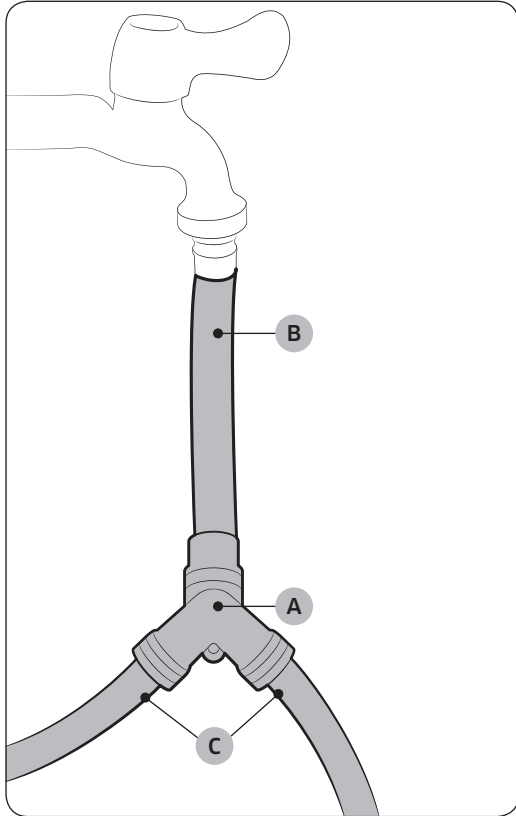


4. Connect the angled end of the water hose to the filling valve at the bottom of the rear frame. Turn the coupling manually until it is tight.
5. Using pliers, tighten the coupling an additional two-thirds turn. Do not overtighten because the coupling may be damaged.
6. If you detached the cold water hose from your washer, attach the hose to the open end of the Y-connector, tighten the coupling by hand until it is tight, and then, using a pliers, tighten an additional two-thirds turn.
7. Open the cold water tap, and then check for any leaks.

If the Y-connector cannot be directly connected to the cold water tap, use the short hose. See the “Using the short hose as an extension” section on page 30.

# Installation

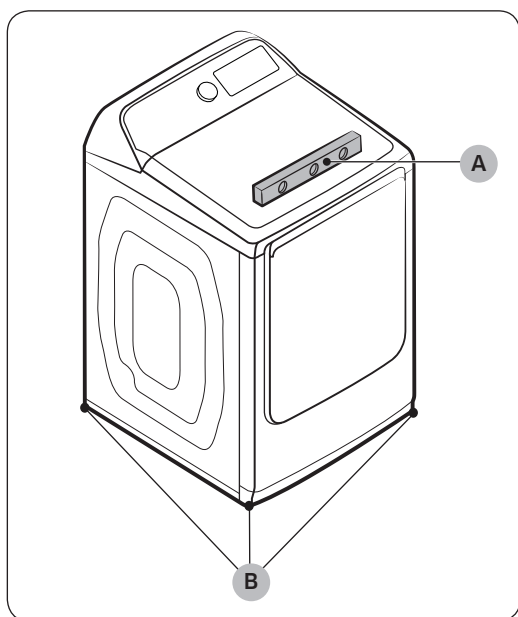
## Using the short hose as an extension



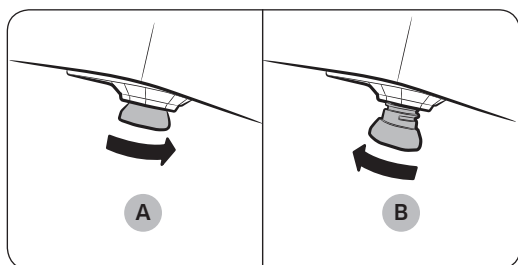
1. Close the cold water tap. If you have a washer's cold water hose attached to the cold water tap, unscrew and remove the hose. Then, connect the **short hose (B)** to the cold water tap. Turn the coupling by hand until it is tight.
2. Using pliers, tighten the coupling an additional two-thirds turn. Do not overtighten because the coupling may be damaged.
3. Connect the **Y-connector (A)** to the brass male end of the short hose. Turn the coupling by hand until it is tight.
4. Using pliers, tighten the coupling an additional two-thirds turn. Do not overtighten because the coupling may be damaged.
5. Connect the angled end of the **water hoses (C)** to the filling valve at the bottom of the rear frame. Turn the coupling manually until it is tight.
6. Using pliers, tighten the coupling an additional two-thirds turn. Do not overtighten because the coupling may be damaged.
7. If you detached the cold water hose from your washer, attach the hose to the free end of the Y-connector, tighten the coupling by hand until it is tight, and then, using a pliers, tighten an additional two-thirds turn.
8. Open the cold water tap, and then check for any leaks.

## STEP 5 Level the dryer

To ensure optimal performance, the dryer must be level.



Using a **level (A)**, check if the dryer is level side to side and then front to back. If the dryer is not level, turn the **leveling feet (B)** clockwise to lower the dryer or counterclockwise to raise the dryer.



### NOTE

- To set the dryer to the same height as your washer, fully **retract (A)** the leveling feet by turning them counterclockwise, then **loosen (B)** the feet by turning them clockwise. Once the dryer is the same height as the washer, follow the directions above to level the dryer.
- Adjust the leveling feet only as much as necessary to level the dryer. Extending the leveling feet more than necessary can cause the dryer to vibrate.

# Installation

---

## STEP 6 Power on (for gas models)

---

Make sure all gas connections, the exhaust line, and all wiring is connected correctly. Then, plug the power cord into a power source and check the dryer's installation and operation using the final checklist in Step 7 below.

## STEP 7 Final check

---

When installation is complete, confirm that:

- The dryer is plugged into an electrical outlet and grounded properly.
- The exhaust ductwork is connected, and the joints are taped.
- You have used rigid or stiff-walled flexible metal duct material, not plastic flexible duct.
- The dryer is level and is sitting firmly on the floor.
- The dryer starts, runs, heats, and shuts off properly.

**For gas models:**

- The gas is supplied properly with no leaks (For gas models only).

### **CAUTION**

The burner may not ignite initially due to air in the gas line. Allowing your dryer to operate on a heat setting will purge the line. If the gas does not ignite within 5 minutes, turn your dryer off and wait 5 minutes. Be sure the gas supply to your dryer has been turned on. To confirm gas ignition, check the exhaust for heat.


## Vent blockage test

After the dryer is installed, start the Vent Blockage Test to check if the duct system is properly installed. The Vent Blockage Test automatically detects the status of the ducts and reports any blockage or problems. Proper ducting can reduce drying time and save energy.

### NOTE

The Vent Blockage Test must run when the dryer is cool. If the dryer warms up after the installation check, run the **AIR FLUFF** cycle for several minutes to reduce its internal temperature.

### Running the vent blockage test

1. Make sure the drum is empty, and then close the door. (If there are any clothes or other items in the drum, the test will not give accurate results.)
2. Press the **Power** button to turn the dryer on, then simultaneously press and hold the **Adjust Time**  and **Dryness** buttons for 3 seconds. “InS or In” appears in the dryer’s display. (If you have started other procedures before the Vent Blockage Test, the dryer will not enter the Vent Blockage Test mode.)
3. Press the **Start/Pause (Hold to Start)** button. The Vent Blockage Test starts immediately. During the test, the number indicator makes a circle in 6 clockwise steps. The test takes about 2 minutes. Do not open the door during the test.
4. After 2 minutes, when the test is complete, the results are displayed and the dryer sounds a tone. If status of the duct system is normal, “0” appears and the dryer sounds a completion tone. If the duct system cannot exhaust properly, the check code appears, and the dryer sounds an alarm tone. For description about the code, see the “**Installation check codes**” section on page 34.

If there are any other problems, an information code appears in the display. For description about the code, see the “**Information codes**” section on page 58.

- To stop or cancel the Vent Blockage Test, press the **Power** button to turn off your dryer.
- The results remain on the display for about 5 minutes and then automatically turn off. You can turn the results off immediately by pressing the **Power** button.

### NOTE

- During or after the test, the internal drum is hot. Use caution to prevent burns. The Vent Blockage Test is used to check for problems in the current duct system when the dryer is installed for the first time.

# Installation

- If the test result displays check code (the duct system is blocked ), refer to the “**Ducting requirements**” section on page 17 and the “**Exhaust ducting guide**” section below, and then take proper measures to correct any problems. If the test is suspended, it could result in incorrect results. Follow the proper procedures when testing the dryer.
- Even if the test result is normal (“**End or 0**”), the duct system could be blocked slightly. Properly install all duct work according to the installation instructions in this manual.

## Installation check codes

Check code	Meaning	Solution
0	Vent condition is good.	
Clg (Cg)	The vent is clogged.	<ol style="list-style-type: none"> <li>1. Clean the lint filter.</li> <li>2. Check your vent condition. (Refer to the “<b>Ducting requirements</b>” section)</li> </ol> * You must take measures (such as cleaning) through expert personnel.
C80 (C8)	About 80 % of the vent is clogged. (This may decrease the drying performance.)	
C90 (C9)	Over 90 % of the vent is clogged. (This may lead to poor drying performance or cause malfunction)	
Ct	The internal temperature of the dryer is too low (below 32 °F (0 °C)) or too high (over 104 °F (40 °C)) and therefore vent blockage cannot be detected.	Leave the dryer at room temperature (41~95 °F (5~35 °C)) for an hour and check again.
tC	Temperature sensor error	Contact a service center.
C1	Unit is detecting items inside the drum or there is an error on the dry sensor.	Remove items from the drum and check again. If the problem continues, contact a service center.
dC	Unit is detecting door is open	Close the door properly and check again. If the problem continues, contact a service center.
9C1	Abnormal voltage detected	Check the power connection. (Refer to the “ <b>Connect the electrical wiring (for electric models)</b> ” section) If the problem continues, contact a service center.

Check code	Meaning	Solution
HC	Detection of abnormal temperature in drum.	Check the power connection. Check the vent condition if the problem continue, contact a service center.

## Exhaust ducting guide

### Ducting

1. Make sure the dryer is installed properly so the air exhausts freely.
2. Use 4-inch rigid metal ducts. Tape all joints including the dryer connection. Never use lint-trapping screws.
3. To facilitate the exhaust, keep the ducts as straight as possible.

### Cleaning

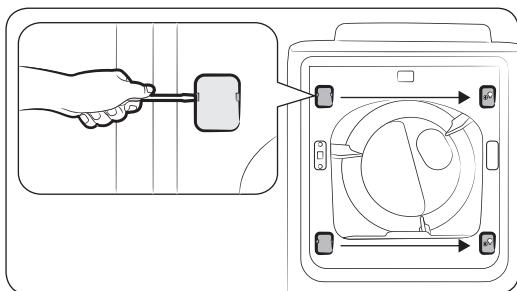
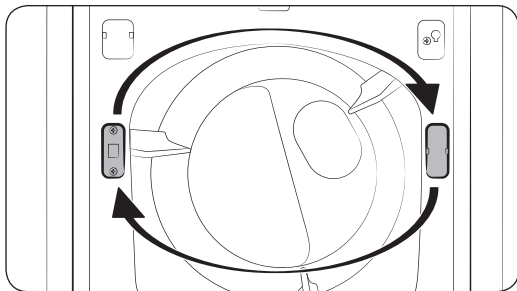
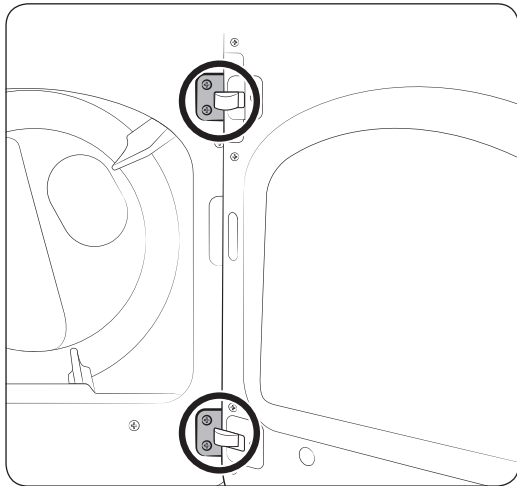
Clean all old ducts before installing the dryer, and make sure the vent flap opens and closes freely. We recommend that you to clean the exhaust system annually or on a regular basis.

#### **WARNING**

- To prevent fire, do not use plastic, thin-foil, or non-metal flexible ducts of any kind.
- Do not use a poor exhaust system because it slows down the dryer's performance.
- Do not use excessively long ducts that have multiple elbows.
- Do not use crushed or clogged venting or ducts.

# Installation

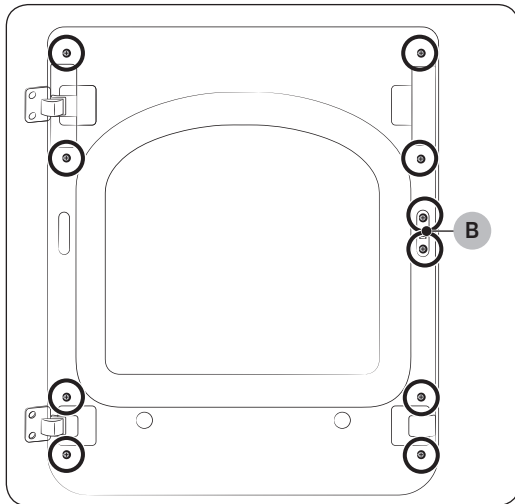
## Switching the door position



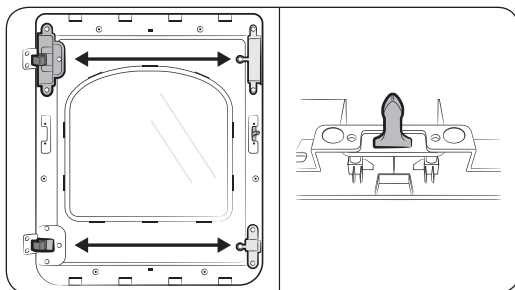
To reverse the direction of the door, we recommend that you contact a qualified technician.

1. Put a soft rug on the floor to rest the door on after you have removed it. This will prevent the door from being scratched.
2. Unplug the power cord of the dryer.
3. Remove the four hinge screws from the door, and then remove the door by lifting it up slightly.
4. Remove the two screws from the lever holder, and then remove the holder cover.
5. Put the lever holder on the other side as shown, and then tighten the screws. Install the holder cover on the opposite side as shown.
6. Use a flat-head screwdriver to remove the two hinge covers from the original side. Install the hinge covers on the opposite side as shown.



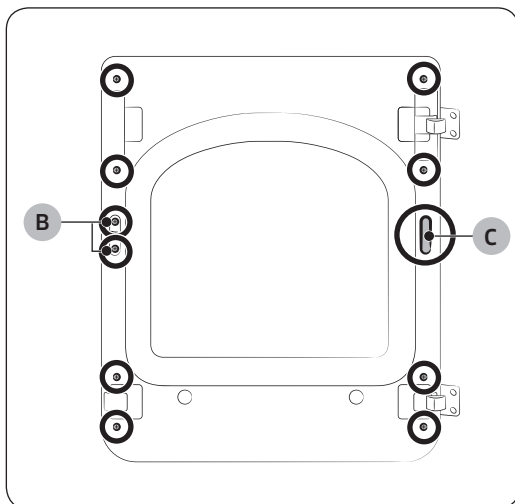


7. Locate and remove the 10 screws as shown. Note that **screw B (x2)** is longer than the others.



8. Remove the glass holder, and switch the positions of:  
 a. the hinge cover and the door handle.  
 b. the hinge holder and the glass-guide holder

9. Remove the door lever, and then move it to the other side as shown.

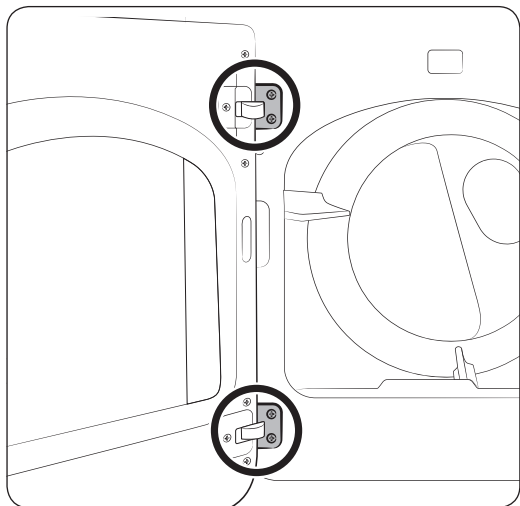


10. Remove the **hole cover (C)**, and then insert and tighten the glass holder using the removed 10 screws.

11. Install the hole cover on the opposite side as shown.

# Installation

---



**12.** Reinstall the door on the front frame, and then carefully insert and tighten the 4 hinge screws.

# Before you start

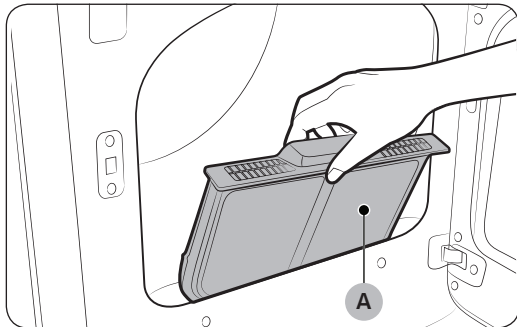
Here are a few things you should know before starting your dryer.

## Sort and load

- Put one wash load in the dryer at a time.
- Do not mix heavy and lightweight items together.
- To improve drying efficiency for one or two items, add a dry towel to the load.
- For best results, untangle items before inserting them into the dryer. Tangled items may degrade the drying efficiency or cause the door to open.
- Overloading reduces the tumbling performance, resulting in uneven drying and wrinkling.
- Unless recommended on the care label, do not dry woolens or fiberglass items.
- Avoid drying unwashed items.
- Do not dry items soiled with oil, alcohol, gasoline, etc.

## Functional prerequisite

### Lint filter



To prevent a risk of fire, make sure to clean the lint filter before or after every load.

1. Turn off the dryer.
2. Open the door and pull out the **lint filter (A)** from inside the drum.
3. Remove the lint, and then clean the lint filter.
4. Reinsert the lint filter, and then close the door.

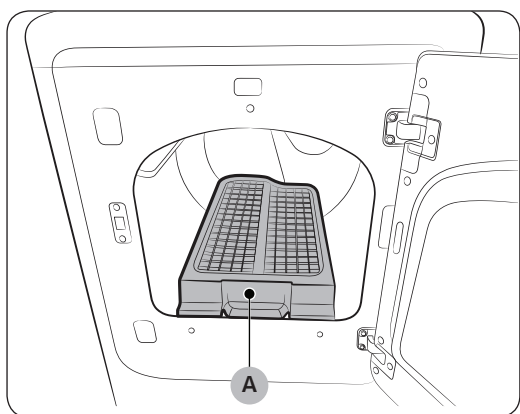
### **⚠ CAUTION**

- Do not operate the dryer without the lint filter in place.
- Do not use a damaged or broken lint filter. This may reduce performance and/or cause fire.

# Before you start

## Rack Dry (applicable models only)

Some models come with a drying rack which is inserted into the drum at the factory. If your model came with a drying rack, remove the rack from the drum before you use the dryer for the first time. To remove the rack, pull the rack straight up, and then take it out of the drum. Remove the drying rack from its packaging and store the rack for later use.



If a drying rack is not provided, you can purchase it at a local Samsung service center. (Part Code : DC93-00374H)

To use the drying rack, follow these steps:

1. Insert the **drying rack (A)** inside the tumbler with the filter handle to the front.
2. Insert the rear legs of the drying rack into the recessed areas of the rear wall, and then press down the middle of the drying rack to secure it in place.
3. Put items to dry on the rack. Make sure to leave space between the items for air flow.
4. Press **Rack Dry** or other Cycle Setting according to rack drying suggestions below, then select the drying time.
5. When the items are dry, remove the them from the dryer, and then remove the drying rack.

---

## Drying rack drying suggestions

Item	Cycle settings
Washable sweaters (fold sweater into same shape as rack and lay it flat on the rack)	TIME DRY with the Low temperature setting
Stuffed toys (cotton or polyester fiber-filled)	
Stuffed toys (foam or rubber-filled)	AIR FLUFF
Foam rubber pillows	
Sneakers	

### **WARNING**

- Make sure to unpack the drying rack before using it. Otherwise, the dryer can be damaged or its performance diminished.
- Drying foam rubber, plastic, or rubber on a heat setting may damage the items and create a fire hazard.

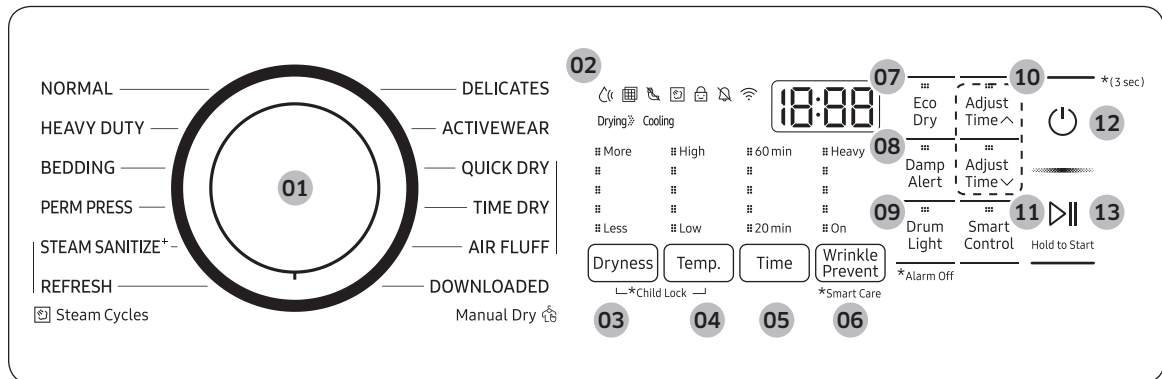
# Operations

## ⚠ WARNING

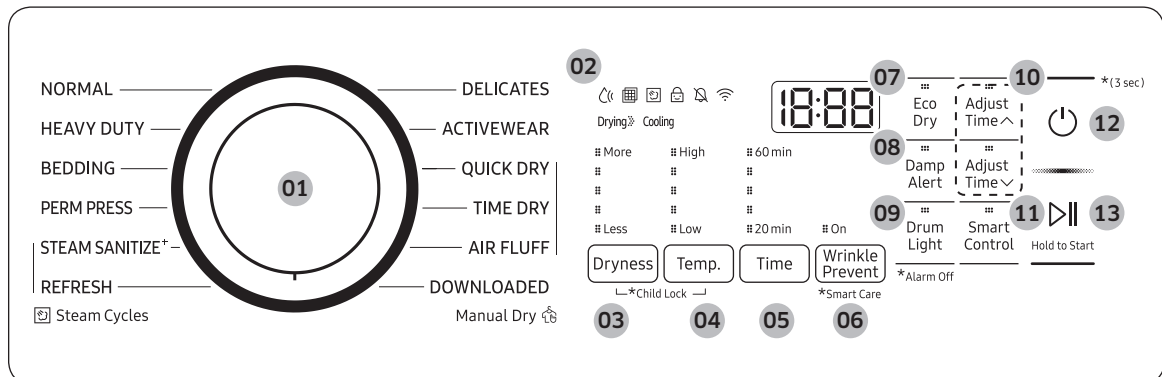
To reduce the risk of fire, electric shock, or injury to persons, read the “Safety information” before operating this appliance.

## Control panel


DVE(G)55A7\*\*\*\*



DVE(G)52A5\*\*\*\*



<p><b>01 Cycle Selector</b></p>	<p>Turn the Cycle Selector to select a desired cycle. When a cycle is selected, the cycle indicator lights up.</p> <ul style="list-style-type: none"> <li>• <b>Steam Cycles:</b> The dryer sprays water into the drum to deodorize clothes and reduce static electricity and wrinkles.</li> <li>• <b>Manual Dry:</b> The drying time is fixed.</li> </ul>
<p><b>02 Digital Graphic Display</b></p>	<p>Displays all cycle information, including the cycle time, information code, and operating status.</p>

<b>03 Dryness</b>	<p>Press to select a dry level. You can select from 5 different options (Less to More). Please refer to following recommendations to select the appropriate dryness.</p> <ul style="list-style-type: none"> <li>• For larger or bulkier loads, select More for complete dryness.</li> <li>• For items that needs to lay flat or hang to dry, use Less to partially dry items.</li> </ul> <p> <b>NOTE</b> This option is not available with <b>REFRESH, STEAM SANITIZE<sup>+</sup>, ACTIVEWEAR, TIME DRY, QUICK DRY, and AIR FLUFF.</b></p>
<b>04 Temp.</b>	<p>Temperature can only be adjusted in <b>TIME DRY</b> cycle. Press to change the temperature of the current cycle. You can select from 5 different options (Low to High). Please select the appropriate temperature depending on the items in the load.</p> <ul style="list-style-type: none"> <li>• <b>High:</b> For sturdy cottons or those labeled Tumble Dry.</li> <li>• <b>Medium:</b> For permanent press, synthetics, lightweight cottons, or items labeled Tumble Dry Medium.</li> <li>• <b>Low:</b> For heat sensitive items labeled Tumble Dry Low or Tumble Dry Warm. Provides the lowest heated drying temperature possible.</li> </ul>
<b>05 Time</b>	<p>Press to adjust the drying time for the Manual Dry cycles. This is not available with the Sensor Dry cycles because the dryer determines the drying time by sensing the current moisture level of the load.</p>
<b>06 Wrinkle Prevent</b>	<p>Wrinkle Prevent provides approximately 180 minutes of intermittent tumbling in unheated air at the end of the cycle to reduce wrinkling. Press <b>Wrinkle Prevent</b> to activate this feature. The load is dry, and can be removed at any time during the Wrinkle Prevent cycle.</p>
<b>07 Eco Dry</b>	<p>This function is available with <b>NORMAL</b> (DVE(G)55A7**** models only) and <b>TIME DRY</b>.</p> <p>With the Eco Dry activated, drying takes a longer time but the power consumption is reduced.</p> <p>The drying time can be extended by up to 3 times depending on the temperature and load. The Eco Dry function is enabled by default.</p>

# Operations

08 Damp Alert	This alert is available for all Sensor Dry cycles except for <b>ACTIVEWEAR</b> . Available dry levels are Normal, More, and Extra. If a load contains mixed fabrics, the Damp Alert indicator blinks when average dryness of the items in the load is 80 % dry. This lets you take items that you don't want fully dried or that dry quickly out of the dryer early while letting others continue to dry.
09 Drum Light	Press to turn the interior lamp on or off. The lamp stays lit for 2 minutes after it has turned on, regardless of whether the power is on or off or the door is open or closed, and then turns off automatically.
10 Adjust Time	You can change the set time in the Manual Dry cycles. ( <b>QUICK DRY</b> , <b>TIME DRY</b> , and <b>AIR FLUFF</b> ) To change the cycle time, press $\wedge$ or $\vee$ until the desired time is displayed.
11 Smart Control	After connecting the Tumble Dryer to your home network using the SmartThings app, you can control or monitor the dryer remotely. When started, the Smart Control (Smart Monitor) indicator blinks. The dryer enters waiting mode and waits for remote commands.
12 Power	Press to turn on/turn off the dryer.
13 Start/Pause (Hold to Start)	Press to start or stop operation.

## NOTE









Do not take extremely tangled items from your washer and put them into the dryer. They can degrade the drying efficiency of the dryer or cause the door to open. We recommend that you untangle the items before putting them into the dryer. Also, do not put objects on the dryer, especially on the control panel.

## CAUTION

Do not spray water directly onto the control panel. This may cause a system failure.



## Icon description

	Sensor Dry	This icon appears when the dryer operates the cycle which senses the internal humidity to determine the drying time.
	Filter Check	This icon displays after every load as a reminder to clean the lint filter. Clean the lint filter before every cycle and make sure the filter is properly inserted before starting a cycle.
	Vent Sensor (DVE(G)55A7**** models only)	The dryer features a vent sensor that detects and notifies you when it is time to clean the ductwork. The  indicator lets you know the status of the duct.
	Steam	This icon appears when the dryer is in steam process. The dryer sprays water into the drum to deodorize clothes and reduce static electricity and wrinkles.
	Child Lock	This icon indicates that Child Lock is on. For more information on Child Lock, see page 52.
	Alarm Off	This icon indicates that the alarm is off. For more information on Alarm Off, see page 52.
	Wi-Fi	This icon indicates that the dryer is connected to Wi-Fi.

## Simple steps to start

1. Press **Power** to turn the dryer on.
2. Turn the **Cycle Selector** to select a cycle.
3. Change the cycle settings (**Dryness**, **Temp.**, and **Time**) as necessary.
4. Select desired options as necessary.
5. Press and hold **Start/Pause (Hold to Start)**.

## To change the cycle during operation

1. Press **Start/Pause (Hold to Start)** to stop operation.
2. Select a different cycle, and repeat steps 2-4 above if necessary.
3. Press and hold **Start/Pause (Hold to Start)** again to start the new cycle.

# Operations

## Cycle overview

### Standard Cycles

Cycle	Description
NORMAL	For most fabrics including cottons and linens. If NORMAL is selected, the Eco Dry function is enabled by default. For more information, see Eco Dry in the “Control panel” section.
HEAVY DUTY	For drying items made out of heavy fabrics, such as jeans, corduroys, or work clothes, with high temperature heat.
BEDDING	For bulky items such as blankets, sheets, and comforters.
PERM PRESS	For drying wrinkle-free cottons, synthetic fabrics, knits, and permanent press fabrics automatically.
DELICATES	For heat-sensitive items at a low drying temperature.
ACTIVEWEAR	For exercise wear and outdoor wear such as sports jerseys, training pants, water-repellent jackets, and other performance clothing. Thick fabrics like a zipper or velcro closure of a jacket, or training socks may not be completely dried.
DOWNLOADED	<ul style="list-style-type: none"><li>• Select to choose from more cycles available on the SmartThings app on your smartphone.</li><li>• Available cycles: ECO NORMAL, SHIRTS, DENIM, TOWELS, RACK DRY, WRINKLE AWAY</li><li>• Factory setting: WRINKLE AWAY</li></ul>

---

## Manual Dry

You can change the drying settings manually to your preference.

<b>QUICK DRY</b>	A quick drying cycle running for 30 minutes. The default cycle time is 30 minutes. However, you may manually change the cycle time if necessary.
<b>TIME DRY</b>	You can specify a cycle time in minutes. If TIME DRY is selected, the Eco Dry function is enabled by default. For more information, see Eco Dry in the “Control panel” section.
<b>AIR FLUFF</b>	Tumbles the load in room temperature air.

## Steam Cycles

Use steam to reduce wrinkling and odors on items.

Cycle	Description
<b>STEAM SANITIZE<sup>+</sup></b>	Use to sanitize items by applying steam and high-temperature heat to the fabric. This cycle can make items soft and reduce smells. Confirm that the laundry load is wet or partially wet before starting this cycle.
<b>REFRESH</b>	Use to smooth out wrinkles and reduce odors in loads of one to four items. With this cycle selected, a small amount of water is sprayed into the dryer drum after several minutes of tumbling with heat. Confirm that the laundry load is dry.

# Operations

## Cycle chart

### NOTE

For best results, follow the load size recommendations for each dry cycle.

- Large load: Fill the drum to about 3/4 full. Do not add items over this level as they need to tumble freely.
- ◐ Medium load : Fill the drum to about 1/2 full.
- Small load : Fill the drum with 3-5 items, not more than 1/4 full.

Cycle	Recommended items	Load size	Dry level
NORMAL	Cottons, work clothes, linens, mixed loads	●	Normal dry (Adjustable)
HEAVY DUTY	Heavy fabrics such as jeans, corduroys, heavy work clothes	●	Normal dry (Adjustable)
BEDDING	Bulky items such as blankets, sheets, comforters, pillows	●	Normal dry (Adjustable)
DELICATES	Underwear, blouses, lingerie	◐	Normal dry (Adjustable)
PERM PRESS	Shirts, synthetic fabrics, knits, wrinkle-free cottons, permanent press	◐	Normal dry (Adjustable)
ACTIVEWEAR	Water-repellent wear, performance clothes, sports wear (Maximum : 4 lbs)	◐	Normal dry (Not adjustable)
QUICK DRY	Small loads	○	-
TIME DRY	Any load	●	-
AIR FLUFF	Foam, rubber, plastic	◐	-
STEAM SANITIZE <sup>+</sup>	Bedding, curtains, children's clothing	◐	Very dry (Not adjustable)
REFRESH	Shirts, trousers, comforters, pillows	○	-

 **NOTE**

● : factory setting, ○ : can be selected

Cycle	Functions (Temp. Control)					Time
	High	⋮	⋮	⋮	Low	
NORMAL		●				
HEAVY DUTY	●					
BEDDING	●					
DELICATES					●	
PERM PRESS			●			
ACTIVEWEAR		●				
QUICK DRY	●					○
TIME DRY	●	○	○	○	○	○
AIR FLUFF						○
STEAM SANITIZE <sup>+</sup>	●					
REFRESH	●					

# Operations

## DVE(G)55A7\*\*\*\* models

Cycle	Options			
	Adjust Time	Damp Alert	Eco Dry	Wrinkle Prevent
NORMAL		<input type="radio"/>	<input checked="" type="radio"/>	<input type="radio"/>
HEAVY DUTY		<input type="radio"/>		<input type="radio"/>
BEDDING		<input type="radio"/>		<input type="radio"/>
DELICATES		<input type="radio"/>		<input type="radio"/>
PERM PRESS		<input type="radio"/>		<input type="radio"/>
ACTIVWEAR				<input type="radio"/>
QUICK DRY	<input type="radio"/>			<input type="radio"/>
TIME DRY	<input type="radio"/>		<input checked="" type="radio"/>	<input type="radio"/>
AIR FLUFF	<input type="radio"/>			<input type="radio"/>
STEAM SANITIZE <sup>+</sup>				<input type="radio"/>
REFRESH				<input type="radio"/>

## DVE(G)52A5\*\*\*\* models

Cycle	Options			
	Adjust Time	Damp Alert	Eco Dry	Wrinkle Prevent
NORMAL		<input type="radio"/>		<input type="radio"/>
HEAVY DUTY		<input type="radio"/>		<input type="radio"/>
BEDDING		<input type="radio"/>		<input type="radio"/>
DELICATES		<input type="radio"/>		<input type="radio"/>
PERM PRESS		<input type="radio"/>		<input type="radio"/>
ACTIVWEAR				<input type="radio"/>
QUICK DRY	<input type="radio"/>			<input type="radio"/>
TIME DRY	<input type="radio"/>		<input checked="" type="radio"/>	<input type="radio"/>
AIR FLUFF	<input type="radio"/>			<input type="radio"/>
STEAM SANITIZE <sup>+</sup>				<input type="radio"/>
REFRESH				<input type="radio"/>

## Cycle guide

The best way to dry items is to follow the instructions on the care label. If no drying instructions are provided, see the following table for reference.

Cycle	Description
Bedspreads & Comforters	Follow the care label instructions or dry using BEDDING. <ul style="list-style-type: none"> <li>• Make sure the item is thoroughly dry before using or storing.</li> <li>• May require repositioning in the drum to ensure even drying.</li> </ul>
Blankets	Use NORMAL and dry only one blanket at a time for best tumbling action. <ul style="list-style-type: none"> <li>• Make sure blankets are thoroughly dry before using or storing.</li> </ul>
Curtains & Draperies	Use PERM PRESS and the Medium temperature setting to help minimize wrinkling. <ul style="list-style-type: none"> <li>• Dry curtains and draperies in small loads for best results and remove as soon as possible.</li> </ul>
Cloth Diapers	Use NORMAL and the Medium temperature setting for soft, fluffy diapers.
Down-filled Items (jackets, sleeping bags, comforters, etc.)	Use NORMAL and the Medium temperature setting. <ul style="list-style-type: none"> <li>• Add a couple of dry towels to absorb moisture and shorten drying time.</li> </ul>
Foam Rubber (rug backs, stuffed toys, shoulder pads, etc.)	Do not dry on a heat setting. <b>⚠ WARNING</b> Drying a rubber item with heat may damage it or cause a fire.
Pillows	Use NORMAL. <ul style="list-style-type: none"> <li>• Add a couple of dry towels and a pair of clean sneakers to help the tumbling action and to fluff the items.</li> <li>• Do not dry kapok or foam pillows using a heated drying cycle.</li> </ul>
Plastics (shower curtains, outdoor furniture covers, etc.)	Use TIME DRY and the Low or Extra Low temperature settings depending on the care label instructions.

### **⚠ WARNING**

Do not dry:

- Fiberglass items (curtains, draperies, etc.)
- Woolens, unless recommended on the label
- Items spotted or soaked with vegetable or cooking oils

# Operations

---

## Special features

---

### Child Lock

Child Lock prevents children from playing with the dryer. When Child Lock is activated, all buttons except for the **Power** button are disabled.

To activate/deactivate Child Lock, simultaneously press and hold **Dryness** and **Temp.** for 3 seconds.

### **NOTE**

Once Child Lock is activated, it will remain active even after you restart the dryer. If other buttons, except for the **Power** button, do not respond, check the Child Lock indicator. If the indicator is on, follow the instructions above to turn Child Lock off.

### Alarm Off

You can turn the alarm on or off. When the alarm is off, the melody of cycle completion and the power-off beep will not sound. However, the other sounds stay active.

- Press and hold **Drum Light** for 3 seconds to turn the alarm on or off.
- Your setting will be retained even after you turn off the dryer. You can turn the alarm back on by pressing and holding the same button for 3 seconds.



---

## Smart Care

To enable this function, you must first download the SmartThings app at the Play Store or the App Store and install it on a mobile device featuring a camera function. The Smart Care function has been optimized for Galaxy & iPhone series (applicable models only).

1. When the dryer detects an issue to check, an information code appears on the display. To enter Smart Care mode, press and hold **Wrinkle Prevent** for 3 seconds.
2. The dryer starts the self-diagnosis procedure and displays an information code if a problem is detected.
3. Run the SmartThings app on your mobile device, and then tap **Smart Care**.
4. Put the mobile device close to the dryer's display so that the smartphone camera and the dryer face each other. The app automatically recognizes the information code.
5. When the information code is recognized correctly, the app provides detailed information about the problem with applicable solutions.

### NOTE

- The function name, Smart Care, may differ depending on the language.
- If light is reflected off the dryer's display, the app may fail to recognize the information code.
- If the app fails to recognize the information code, you can enter the code manually in the app.

# Maintenance

---

Keep the dryer clean for best performance and to lengthen its life cycle.

## **WARNING**

Certain internal parts are intentionally not grounded and may present a risk of electric shock only during servicing. Service Personnel - Do not contact the following parts while the appliance is energized: Control board and inlet valve.

## Cleaning

---

### Control panel

- Clean with a soft, damp cloth. Do not use abrasive substances.
- Do not spray liquid cleaning agents directly onto the dryer display.
- Some laundry pre-treatment soil and stain removers may damage the control panel.
- When using liquid cleaning agents, apply them to the cleaning cloth. Do not apply them directly to the dryer. Wipe up any spills or overspray immediately.

### Drum

- Remove any stains from the drum with an all-purpose cleaner.
- Tumble old towels or rags to remove any remaining stains or cleaning substances. Stains may be still visible but will not affect subsequent loads.

### Powder coated drum

To clean the powder coated drum, use a damp cloth with a mild, non-abrasive cleaner suitable for easily marred surfaces. Remove cleaner residue and dry with a clean cloth.

### Dryer exterior

- Clean with a soft, damp cloth. Do not use abrasive substances.
- Protect the surface from sharp objects.
- Do not place any heavy or sharp objects or a detergent container on the dryer. They can scratch or damage the top cover of the dryer.
- The dryer has a high-gloss finish on the entire surface. Be careful not to scratch or damage the surface.

### Exhaust system

- Check and clean the exhaust system on a regular basis to maintain optimum performance.
- The external exhaust hood must be cleaned frequently to ensure proper air flow.

# Troubleshooting

## Checkpoints

If the dryer operates abnormally, first check the list of problems in the table below and try the suggested actions.

Problem	Action
Does not run.	<ul style="list-style-type: none"><li>• Make sure the door is latched shut.</li><li>• Make sure the power cord is plugged into a live electrical outlet.</li><li>• Check your home's circuit breakers or fuses.</li><li>• Press or tap <b>Start/Pause (Hold to Start)</b> again if the door is opened during a cycle.</li><li>• Clean the lint filter.</li></ul>
Does not heat.	<ul style="list-style-type: none"><li>• Check your home's circuit breakers or fuses.</li><li>• Some cycles do not require heating. Check the selected cycle again.</li><li>• For a gas dryer, make sure the gas supply is on.</li><li>• Clean the lint filter and exhaust duct.</li><li>• The dryer may have moved into the cool-down phase of the cycle.</li><li>• Turn off the Eco Dry option for the <b>NORMAL</b> or <b>TIME DRY</b> cycles. When the Eco Dry option is on, the dryer performs an air dry process in the beginning of the cycle to reduce energy consumption. The air dry process does not use heated air, so you may feel that the dryer is not being heated, but this is normal.</li></ul>

# Troubleshooting

Problem	Action
Does not dry.	<ul style="list-style-type: none"> <li>• Check all of the above, plus...</li> <li>• Make sure the exhaust hood outside your home can open and close freely.</li> <li>• Check the exhaust system for lint buildup. Ducting should be inspected and cleaned annually.</li> <li>• Use a 4" rigid metal exhaust duct.</li> <li>• Do not overload. 1 wash load = 1 dryer load.</li> <li>• Dry heavy items and light weight items separately.</li> <li>• Large, bulky items, such as blankets or comforters, may require repositioning to ensure even drying.</li> <li>• Make sure that your washer is draining properly and extracting adequate water from the load.</li> <li>• The load may be too small to tumble properly. Add a few towels and restart the dryer.</li> <li>• The load may be too large to tumble properly. Remove some items and restart the dryer.</li> <li>• Clean the lint filter.</li> </ul>
Is noisy.	<ul style="list-style-type: none"> <li>• Check the load for objects such as coins, loose buttons, nails, etc. Remove promptly.</li> <li>• It is normal to hear the dryer gas valve or heating element cycle on and off during the drying cycle.</li> <li>• Make sure the dryer is leveled properly as outlined in the installation instructions.</li> <li>• It is normal for the dryer to hum due to the high velocity of air moving through the dryer drum, fan, or exhaust system.</li> </ul>
Dries unevenly.	<ul style="list-style-type: none"> <li>• Seams, pockets, and other similarly heavy areas may not be completely dry when the rest of the load has reached the selected dryness level. This is normal. You can choose a higher dryness level or a cycle that involves a higher dryness level.</li> <li>• If one heavy item is dried with a light weight load, such as one towel with sheets, it is possible that the heavy item will not be completely dry when the rest of the load has reached the selected dryness level.</li> <li>• For the best drying results, dry heavy items and light weight items separately.</li> </ul>



Problem	Action
Has odors.	<ul style="list-style-type: none"> <li>Household odors from paint, varnish, strong cleaners, etc. may enter the dryer with the surrounding room air. This is normal as the dryer draws the air from the room, heats it, pulls it through the tumbler, and exhausts it outside.</li> <li>When these odors linger in the air, completely ventilate the room before using the dryer.</li> <li>Use a cycle featuring the Refresh function. If odors persist, wash and dry the item again.</li> <li>Use the <b>REFRESH</b> cycle. If odors persist, wash and dry the items again.</li> </ul>
Lint on clothes.	<ul style="list-style-type: none"> <li>Make sure the lint filter is cleaned before every load. For clothes that naturally build up lint, clean the filter during the cycle.</li> <li>Some fabrics are lint producers (for example, a fuzzy white cotton towel) and they must be dried separately from clothes that are lint trappers (for example, a pair of black linen pants).</li> <li>Divide larger loads into smaller loads for drying.</li> <li>Check pockets thoroughly before drying, then dry clothes.</li> <li>Remove lint inside the drum before drying.</li> </ul>
Items still wrinkled after <b>WRINKLE PREVENT (WRINKLE-CARE, WRINKLE RELEASE)</b> .	<ul style="list-style-type: none"> <li>Small loads of 1 to 4 items work best.</li> <li>Load fewer items. Load similar-type items.</li> <li>Take out the items immediately after drying is complete.</li> </ul>
Water drips from the nozzle when <b>STEAM CARE</b> starts.	<ul style="list-style-type: none"> <li>This is steam condensation. The dripping water will stop after a short time.</li> </ul>
Sprayed water is not visible during <b>STEAM CARE</b> .	<ul style="list-style-type: none"> <li>Sprayed water is difficult to see when the door is closed.</li> </ul>
Extended time.	<ul style="list-style-type: none"> <li>Sensor Dry automatically senses the moisture in the load and shuts the dryer off when the selected dryness level is reached. The drying time can change according to the type and amount of laundry. See the cycle chart for reference.</li> </ul>

If a problem persists, contact a local Samsung service center.



# Troubleshooting

## Information codes

If the dryer fails to operate, you may see an information code on the display panel. To determine what you should do, check the list of codes in the table below, and then try the suggested actions.

Code	Action
dC	Operating the dryer with the door open. <ul style="list-style-type: none"><li>• Make sure the door is properly closed.</li><li>• Make sure laundry is not caught in the door.</li></ul>
FC	Invalid power source frequency. <ul style="list-style-type: none"><li>• Try restarting the cycle.</li><li>• If this information code remains, contact a Samsung service center.</li></ul>
AC	Electronic control problem (Invalid Communication). <ul style="list-style-type: none"><li>• Contact a Samsung service center.</li></ul>
HC	High temperature heating check <ul style="list-style-type: none"><li>• Clean the lint filter.</li><li>• If this information code remains, contact a Samsung service center. (enter the line test mode)</li></ul>
9C1	The electronic control needs to be checked. <ul style="list-style-type: none"><li>• Check if power cord is connected properly.</li><li>• Check if the electrical outlet is working properly.</li><li>• If the information code remains, contact a Samsung service center.</li></ul>
tC	The Thermistor1 resistance is very low or high. <ul style="list-style-type: none"><li>• Check for a clogged lint screen</li><li>• Check if the vent system is restricted.</li><li>• If this information code remains, contact a Samsung service center.</li></ul>
tC5	The Thermistor2 resistance is very low or high. <ul style="list-style-type: none"><li>• Check for a clogged lint screen.</li><li>• Check if the vent system is restricted.</li><li>• If this information code remains, contact a Samsung service center.</li></ul>
dF	Incorrect door switch. <ul style="list-style-type: none"><li>• Contact a Samsung service center.</li></ul>

---

Code	Action
3C	The PBA needs to be checked. <ul style="list-style-type: none"><li>• Unplug the power plug and contact a Samsung service center.</li></ul>

If any information code keeps appearing on the display, contact a Samsung service center.

# Specifications

## Fabric care chart

The following symbols provide garment care direction. The clothing care labels include symbols for drying, bleaching, drying and ironing, or dry cleaning when necessary. The use of symbols ensures consistency among garment manufacturers of domestic and imported items. Follow care label directions to optimize garment life and reduce laundering problems.

### Wash cycle

	Normal
	Permanent press / Wrinkle resistant / Wrinkle control
	Gentle / Delicates
	Hand wash

### Water temperature

...	Hot
..	Warm
.	Cold

### NOTE

The Water Temperature table lists appropriate wash water temperatures for various items. The temperature range is 106-126 °F (41-52 °C) for Hot, 84-106 °F (29-41 °C) for Warm, and 61-84 °F (16-29 °C) for Cold. (Wash water temperature must be a minimum of 61 °F (16 °C) for detergent activation and effective cleaning.)

### Bleach

	Any bleach (when needed)
	Only non-chlorine (color-safe) bleach (when needed)
	Tumble dry

### Normal

	Permanent press / Wrinkle resistant / Wrinkle control
	Gentle / Delicates

### Special instructions


	Line dry / Hang to dry
	Drip dry
	Dry flat

### Heat setting







	High
	Medium
	Low
	Any heat
	No heat / Air








### Iron dry or steam temperatures

	High
	Medium
	Low

### Warning symbols for laundering

	Do not wash
	Do not wring
	Do not bleach
	Do not tumble dry
	No steam (added to iron)
	Do not iron

### Dry-clean

	Dry-clean
	Do not dry-clean
	Line dry / Hang to dry
	Drip dry
	Dry flat

### Protecting the environment

This appliance is manufactured from recyclable materials. If you decide to dispose of this appliance, please observe local waste disposal regulations. Cut off the power cord so that the appliance cannot be connected to a power source. Remove the door so that animals and small children cannot get trapped inside the appliance.

# Specifications

---

## Specification sheet

Type		Front loading dryer
Capacity (Cu.ft)		7.4
Water pressure (psi (kPa))		20-116 (137-800)
Weight	lb (kg)	119.0 (54.0)
Heater rating	Electric (W)	5300
	Gas (BTU/hr)	20000
Power consumption (W)		5300

# LIMITED WARRANTY (U.S.A.)

---

## SAMSUNG DRYER

---

### LIMITED WARRANTY TO ORIGINAL CONSUMER PURCHASER WITH PROOF OF PURCHASE

This SAMSUNG brand product, as supplied and distributed by SAMSUNG ELECTRONICS AMERICA, INC. (SAMSUNG) and delivered new, in the original carton to the original consumer purchaser, is warranted by SAMSUNG against manufacturing defects in materials or workmanship for the limited warranty period, starting from the date of original purchase, of:

One (1) Year All Parts and Labor

This limited warranty is valid only on products purchased and used in the United States that have been installed, operated, and maintained according to the instructions attached to or furnished with the product. To receive warranty service, the purchaser must contact SAMSUNG at the address or phone number provided below for problem determination and service procedures. Warranty service can only be performed by a SAMSUNG authorized service center. The original dated bill of sale must be presented upon request as proof of purchase to SAMSUNG or SAMSUNG's authorized service center to receive warranty service.

SAMSUNG will provide in-home service within the contiguous United States during the warranty period at no charge, subject to availability of SAMSUNG authorized servicers within the customer's geographic area. If in-home service is not available, SAMSUNG may elect, at its option, to provide transportation of the product to and from an authorized service center. If the product is located in an area where service by a SAMSUNG authorized servicer is not available, you may be responsible for a trip charge or required to bring the product to a SAMSUNG authorized service center for service.

To receive in-home service, product must be unobstructed and accessible to the service agent.

During the applicable warranty period, a product will be repaired, replaced, or the purchase price refunded, at the sole option of SAMSUNG. SAMSUNG may use new or reconditioned parts in repairing a product, or replace the product with a new or reconditioned product. Replacement parts and products are warranted for the remaining portion of the original product's warranty or ninety (90) days, whichever is longer. All replaced parts and products are the property of SAMSUNG and you must return them to SAMSUNG.

## LIMITED WARRANTY (U.S.A.)

---

This limited warranty covers manufacturing defects in materials or workmanship encountered in normal household, noncommercial use of this product and shall not cover the following: damage that occurs in shipment, delivery, installation, and uses for which this product was not intended; damage caused by unauthorized modification or alteration of the product; product where the original factory serial numbers have been removed, defaced, changed in any way, or cannot be readily determined; cosmetic damage including scratches, dents, chips, and other damage to the product's finishes; damage caused by abuse, misuse, pest infestations, accident, fire, floods, or other acts of nature or God; damage caused by use of equipment, utilities, services, parts, supplies, accessories, applications, installations, repairs, external wiring or connectors not supplied or authorized by SAMSUNG; damage caused by incorrect electrical line current, voltage, fluctuations and surges; damage caused by failure to operate and maintain the product according to instructions; in-home instruction on how to use your product; and service to correct installation not in accordance with electrical or plumbing codes or correction of household electrical or plumbing (i.e., house wiring, fuses, or water inlet hoses). The cost of repair or replacement under these excluded circumstances shall be the customer's responsibility.

Visits by an authorized servicer to explain product functions, maintenance or installation are not covered by this limited warranty. Please contact SAMSUNG at the number below for assistance with any of these issues.

---

## **EXCLUSION OF IMPLIED WARRANTIES**

IMPLIED WARRANTIES, INCLUDING THE IMPLIED WARRANTIES OF MERCHANTABILITY OR FITNESS FOR A PARTICULAR PURPOSE, ARE LIMITED TO ONE YEAR OR THE SHORTEST PERIOD ALLOWED BY LAW. Some states do not allow limitations on how long an implied warranty lasts, so the above limitations or exclusions may not apply to you. This warranty gives you specific rights, and you may also have other rights, which vary from state to state.

## **LIMITATION OF REMEDIES**

YOUR SOLE AND EXCLUSIVE REMEDY IS PRODUCT REPAIR, PRODUCT REPLACEMENT, OR REFUND OF THE PURCHASE PRICE AT SAMSUNG'S OPTION, AS PROVIDED IN THIS LIMITED WARRANTY. SAMSUNG SHALL NOT BE LIABLE FOR SPECIAL, INCIDENTAL OR CONSEQUENTIAL DAMAGES, INCLUDING BUT NOT LIMITED TO TIME AWAY FROM WORK, HOTELS AND/OR RESTAURANT MEALS, REMODELING EXPENSES, LOSS OF REVENUE OR PROFITS, FAILURE TO REALIZE SAVINGS OR OTHER BENEFITS REGARDLESS OF THE LEGAL THEORY ON WHICH THE CLAIM IS BASED, AND EVEN IF SAMSUNG HAS BEEN ADVISED OF THE POSSIBILITY OF SUCH DAMAGES. Some states do not allow exclusion or limitation of incidental or consequential damages, so the above limitations or exclusions may not apply to you. This warranty gives you specific rights, and you may also have other rights, which vary from state to state.

SAMSUNG does not warrant uninterrupted or error-free operation of the product. No warranty or guarantee given by any other person, firm, or corporation with respect to this product shall be binding on SAMSUNG.

To obtain warranty service, please contact SAMSUNG at:

**Samsung Electronics America, Inc.**

**85 Challenger Road**

**Ridgefield Park, NJ 07660**

**1-800-SAMSUNG (726-7864)**

**[www.samsung.com/us/support](http://www.samsung.com/us/support)**

# Memo

---

# Memo

---



Scan the QR code\* or visit  
[www.samsung.com/spsn](http://www.samsung.com/spsn)  
to view our helpful  
How-to Videos and Live Shows

\*Requires reader to be installed on your smartphone

Scan this with your smartphone



Energy Star only applies to DVE(G)55A7\*\*\*\* model.

This product qualifies for ENERGY STAR in the factory default  
"Normal + Eco dry" setting.

If you change the factory default setting or enable other features,  
power consumption could increase and exceed the limits qualified for  
ENERGY STAR.

## QUESTIONS OR COMMENTS?

COUNTRY	CALL	OR VISIT US ONLINE AT
U.S.A	1-800-SAMSUNG (726-7864)	<a href="http://www.samsung.com/us/support">www.samsung.com/us/support</a>



DC68-03784S-00





# Secadora

---

## Manual del usuario

DVE(G)55A7700\*/DVE(G)55A7300\*/DVE(G)52A5500\*

---

**SAMSUNG**

# Contenido

---

<b>Información sobre seguridad</b>	<b>4</b>
Lo que necesita saber sobre las instrucciones de seguridad	4
Símbolos de seguridad importantes	4
PROPOSICIÓN 65 DE CALIFORNIA: ADVERTENCIA	5
Precauciones de seguridad importantes	5
Advertencias	8
Precauciones	8
<b>Aviso regulatorio</b>	<b>10</b>
Aviso para FCC	10
Aviso IC	11
Anuncio sobre código abierto	12
<b>Requisitos de instalación</b>	<b>13</b>
Requisitos de instalación importantes	13
Consideraciones acerca de la ubicación	13
Requisitos para el tendido de conductos	17
Requisitos de drenaje	18
Requisitos en cuanto al gas	19
Requisitos eléctricos	20
<b>Instalación</b>	<b>23</b>
Componentes	23
Instalación paso a paso	25
Prueba de bloqueo de la ventilación	33
Guía de los conductos de drenaje	36
Cambiar la posición de la puerta	36
<b>Antes de comenzar</b>	<b>39</b>
Clasificación y carga	39
Requisito de funcionamiento	39
Secado en estante (únicamente para los modelos aplicables)	40

<b>Funcionamiento</b>	<b>42</b>
Panel de control	42
Sencillos pasos para comenzar	46
Descripción del ciclo	47
Tabla de ciclos	49
Guía de ciclos	52
Funciones especiales	53
<b>Mantenimiento</b>	<b>55</b>
Limpieza	55
<b>Solución de problemas</b>	<b>56</b>
Verificaciones	56
Códigos de información	60
<b>Especificaciones</b>	<b>62</b>
Tabla de indicaciones sobre telas	62
Protección del medio ambiente	63
Hoja de especificaciones	64



# Información sobre seguridad

Felicitaciones por la compra de la nueva secadora Samsung. Este manual contiene información importante acerca de la instalación, el uso y el cuidado del electrodoméstico. Lea detenidamente estas instrucciones a fin de aprovechar al máximo los múltiples beneficios y funciones de la secadora.

## Lo que necesita saber sobre las instrucciones de seguridad

Lea este manual detenidamente para aprender a utilizar con seguridad y eficacia todas las características y funciones de su nuevo electrodoméstico. Conserve el manual en un lugar seguro cerca del electrodoméstico para consultas futuras. Utilice este electrodoméstico solo para el propósito para el que fue destinado como se describe en este manual.

Las advertencias y las instrucciones de seguridad importantes de este manual no cubren todas las posibles condiciones y situaciones que pueden ocurrir. Es su responsabilidad actuar con sentido común, precaución y cuidado cuando instale, realice el mantenimiento y ponga en funcionamiento la secadora.

Puesto que las siguientes instrucciones de funcionamiento sirven para varios modelos, las características de su secadora pueden diferir ligeramente de las que se describen en este manual y es posible que no todos los signos de advertencia sean aplicables. Si tiene alguna consulta o duda, comuníquese con el centro de servicio más cercano o busque ayuda e información en línea en [www.samsung.com](http://www.samsung.com).

## Símbolos de seguridad importantes

Los íconos y las señales incluidas en este manual del usuario significan lo siguiente:

### **ADVERTENCIA**

Peligros o prácticas inseguras que podrían causar lesiones físicas graves o la muerte y/o daños materiales.

### **PRECAUCIÓN**

Peligros o prácticas inseguras que podrían causar lesiones físicas y/o daños materiales.

### **NOTA**

Indica que existe el riesgo de lesiones físicas o daños materiales.

Estas señales de advertencia están aquí para evitar que usted u otras personas sufran lesiones.

Siga las instrucciones completamente.

Después de leer este manual, guárdelo en un lugar seguro para consultas futuras.

Lea todas las instrucciones antes de usar el electrodoméstico.

Al igual que con cualquier equipo que usa electricidad y piezas movibles, existen riesgos potenciales. Para usar este electrodoméstico en forma segura, familiarícese con su funcionamiento y manéjelo con cuidado cuando lo use.

# CONSERVE ESTAS INSTRUCCIONES



### **ADVERTENCIA - Riesgo de incendio**

- La instalación de la secadora de ropa debe estar a cargo de un instalador calificado.
- Instale la secadora de ropa según las instrucciones del fabricante y los códigos locales.
- No instale una secadora de ropa con materiales para ventilación de plástico flexible. Si se instala un conducto de metal flexible (tipo lámina metálica), debe ser de un tipo específico identificado por el fabricante del electrodoméstico como adecuado para utilizar con secadoras de ropa. Los materiales para ventilación flexibles suelen hundirse, aplastarse fácilmente y atrapar pelusa. Estas condiciones obstruirán el flujo de aire de la secadora de ropa y aumentarán el riesgo de incendio.
- Para reducir el riesgo de lesiones graves o muerte, siga todas las instrucciones de instalación.
- Guarde estas instrucciones.

### **PROPOSICIÓN 65 DE CALIFORNIA: ADVERTENCIA**

#### **ADVERTENCIA**

Cáncer y afecciones reproductivas - [www.P65Warnings.ca.gov](http://www.P65Warnings.ca.gov).

### **Precauciones de seguridad importantes**

#### **ADVERTENCIA**

Para reducir el riesgo de incendio, descarga eléctrica o lesiones físicas cuando usa este electrodoméstico, siga las instrucciones de seguridad básicas que figuran a continuación:

1. Lea todas las instrucciones antes de usar este electrodoméstico.
2. No seque prendas que han sido previamente limpiadas, lavadas, remojadas o salpicadas con gasolina, solventes de limpieza en seco u otras sustancias inflamables o explosivas, ya que emiten vapores que pueden incendiarse o explotar.
3. No utilice la secadora para secar ropa que tenga restos de sustancias inflamables, como aceites vegetales, de cocción o de máquina, productos químicos inflamables, disolventes de pinturas, etc., o que contengan cera o productos químicos, como trapeadores y paños de limpieza. Las sustancias inflamables pueden ocasionar que la tela se incendie.
4. No almacene ni utilice gasolina u otros vapores o líquidos inflamables cerca de este o cualquier otro aparato eléctrico.
5. No permita que los niños jueguen sobre el electrodoméstico ni dentro de él. Se requiere de supervisión cuando el electrodoméstico es utilizado cerca de los niños.

## **CONSERVE ESTAS INSTRUCCIONES**



# Información sobre seguridad

---

6. Antes de descartar el electrodoméstico o de retirarlo de servicio, extraiga la puerta del compartimiento de secado.
7. No introduzca la mano en el electrodoméstico si el tambor está en movimiento.
8. No instale ni almacene este electrodoméstico donde quede expuesto a los factores climáticos.
9. No modifique los controles internos.
10. No repare, reemplace ni intente realizar el mantenimiento de cualquier pieza del electrodoméstico salvo que esté recomendado específicamente en las instrucciones de mantenimiento del usuario o en las instrucciones de reparación para el usuario publicadas y que, a su juicio, usted tenga la habilidad para llevarlas a cabo.
11. No utilice suavizante de telas o productos para eliminar la estática a menos que el fabricante del suavizante o del producto lo recomiende.
12. Limpie el filtro para pelusas antes o después de cada carga.
13. No aplique calor para secar prendas que contengan goma espuma o materiales semejantes a la goma con textura similar.
14. Mantenga el área alrededor de la salida del drenaje y las áreas adyacentes libres de la acumulación de pelusa, polvo y suciedad.
15. El personal técnico calificado debe efectuar una limpieza periódica del interior del electrodoméstico y del conducto de drenaje.
16. No coloque elementos expuestos a aceites de cocina en la secadora. Los elementos contaminados con aceites de cocina pueden contribuir a que se produzca una reacción química que ocasione que la carga de ropa se incendie. Para reducir el riesgo de incendio debido a cargas de ropa contaminada, la parte final del ciclo de la secadora se realiza sin calor (período de enfriamiento). No detenga la secadora antes de terminar el ciclo de secado, pero si lo hace, retire rápidamente la ropa y espárzala para que se disipe el calor.
17. Este electrodoméstico debe conectarse a tierra. Consulte “Requisitos eléctricos” y “Conexión a tierra” en la sección “Instalación”.
18. No permita que los niños jueguen sobre el electrodoméstico ni dentro de él. Se requiere de supervisión cuando el electrodoméstico es utilizado cerca de los niños.
19. No introduzca las manos bajo la secadora.
  - Puede provocar lesiones físicas.
20. Al cerrar la puerta tenga cuidado de no atrapar los dedos de los niños.
  - Puede provocar lesiones físicas.
21. El panel de control y la válvula de entrada no están conectados a tierra intencionalmente y pueden presentar riesgo de descarga eléctrica únicamente durante el servicio técnico.
  - No toque esta parte mientras el electrodoméstico está recibiendo electricidad.

## CONSERVE ESTAS INSTRUCCIONES



**⚠️ ADVERTENCIA - Para reducir el riesgo de incendio o explosión:**

- No seque prendas que hayan sido previamente limpiadas, lavadas, remojadas o salpicadas con gasolina, solventes de limpieza en seco u otras sustancias inflamables o explosivas. Emiten vapores que pueden incendiarse o explotar. No se debe colocar en la secadora ningún material que haya estado en contacto con un solvente de limpieza o con líquidos o sólidos inflamables hasta que se haya eliminado todo vestigio de tales líquidos o sólidos inflamables y sus vapores. Existen muchos artículos altamente inflamables en los hogares, tales como acetona, alcohol desnaturalizado, gasolina, kerosene, algunos limpiadores líquidos de uso doméstico, algunos quitamanchas, aguarrás, ceras y removedores de cera.
- No se deben secar artículos que contengan goma espuma (puede estar catalogada como espuma de látex) o materiales semejantes a la goma y con textura similar en la opción de secado con calor. Los materiales de goma espuma que reciben calor pueden, en ciertas circunstancias, provocar incendios por combustión espontánea.

**⚠️ ADVERTENCIA - Qué hacer si percibe olor a gas:**

- No intente encender ningún electrodoméstico.
- No encienda el electrodoméstico.
- No toque ningún interruptor eléctrico.
- No utilice ningún teléfono de su edificio.
- Haga que todos los ocupantes se retiren del cuarto, edificio o área.
- Comuníquese inmediatamente con el proveedor de gas desde el teléfono de un vecino. Siga las instrucciones del proveedor de gas.
- Si no se puede comunicar con el proveedor de gas, llame al departamento de bomberos.
- La instalación y el servicio técnico deberán estar a cargo de un instalador calificado, una agencia de reparaciones o el proveedor de gas.

**CONSERVE ESTAS INSTRUCCIONES**



# Información sobre seguridad

---

## Advertencias

---

### ADVERTENCIA

- Asegúrese de que los bolsillos no contengan objetos pequeños, sólidos y de forma irregular, material extraño, etc., por ejemplo: monedas, cuchillos, alfileres, etc. Tales objetos podrían dañar la secadora.
- Se pueden producir pérdidas de gas en su sistema que generen una situación peligrosa.

## Precauciones

---

### PRECAUCIÓN

- No permita que los niños o las mascotas jueguen sobre el electrodoméstico, dentro de él o frente a él. Se requiere de supervisión cuando el electrodoméstico es utilizado cerca de niños y mascotas.
- Antes de eliminar la secadora o de retirarla de servicio, quite la puerta del compartimiento de secado para evitar que los niños o las mascotas queden atrapados dentro de la secadora.
- No introduzca la mano en el electrodoméstico cuando el tambor esté en movimiento.
- No instale ni almacene este electrodoméstico donde quede expuesto a los factores climáticos.
- No modifique los controles.
- No repare ni reemplace ni intente realizar el mantenimiento de ninguna pieza del electrodoméstico salvo que esté indicado específicamente en las instrucciones de reparación para el usuario y que comprenda y tenga la habilidad para llevar a cabo el procedimiento.
- No utilice suavizante de telas o productos para eliminar la estática a menos que el suavizante o producto esté recomendado para uso con la secadora por el fabricante del mismo.
- Limpie el filtro para pelusas antes o después de cada carga.
- Mantenga el área alrededor de la salida del drenaje y las áreas circundantes libres de pelusa, polvo y suciedad.
- El personal técnico calificado debe efectuar una limpieza periódica del interior de la secadora y del conducto de drenaje.
- Este electrodoméstico debe conectarse a tierra correctamente. Nunca enchufe el cable de alimentación a un receptáculo que no esté conectado a tierra correctamente y que no guarde conformidad con los códigos locales y nacionales. Consulte las instrucciones de instalación para obtener información sobre cómo conectar este electrodoméstico a tierra.
- No se sienta encima de la secadora.
- No lave ropa que contenga hebillas grandes, botones u otros objetos de metal pesado o sólido.
- Las pérdidas de gas pueden no ser detectadas únicamente por el olor.
- Los proveedores de gas recomiendan que compre e instale un detector de gas aprobado por UL.
- Instale y utilice de acuerdo con las instrucciones del fabricante.

## CONSERVE ESTAS INSTRUCCIONES





- No coloque prendas en la secadora que hayan sido salpicadas o remojadas con aceite vegetal o aceite de cocina. Incluso después del lavado, estas prendas pueden contener una cantidad importante de dichos aceites.
- El aceite residual en las prendas puede incendiarse en forma espontánea. La posibilidad de combustión espontánea aumenta cuando las prendas que contienen aceite vegetal o aceite de cocina son expuestas al calor. Las fuentes de calor, tales como la secadora, pueden calentar estas prendas y permitir que se produzca la oxidación del aceite a modo de reacción. La oxidación genera calor. Si dicho calor no tiene forma de salir, las prendas pueden calentarse lo suficiente como para incendiarse. Amontonar, apilar o guardar este tipo de prendas puede impedir que el calor escape y puede generar un peligro de incendio.
- Todas las prendas limpias y sucias que contengan aceite vegetal o aceite de cocina pueden resultar peligrosas. Lavar dichas prendas en agua caliente con una dosis adicional de detergente reducirá el peligro, aunque no lo eliminará. Siempre use el ciclo Cool Down (Enfriamiento) para estas prendas a fin de reducir la temperatura. Nunca retire estas prendas cuando la secadora esté caliente ni interrumpa el ciclo de secado hasta que las prendas hayan pasado por el ciclo Cool Down (Enfriamiento). Nunca amontone o apile estas prendas cuando estén calientes.

## CONSERVE ESTAS INSTRUCCIONES



# Aviso regulatorio

---

## Aviso para FCC

---

### PRECAUCIÓN

Todos los cambios y modificaciones que no cuenten con la aprobación expresa de la parte responsable del cumplimiento invalidará la autoridad del usuario para operar el equipo.

Este dispositivo cumple con el Apartado 15 de las Normas de la FCC. El funcionamiento se encuentra sujeto a las siguientes dos condiciones:

1. Este electrodoméstico no puede causar interferencia dañina, y
2. Este electrodoméstico debe aceptar la recepción de cualquier interferencia, incluidas aquellas que puedan causar un funcionamiento indeseado.

En los productos vendidos en los mercados de Estados Unidos y Canadá, solo están disponibles los canales 1-11. No es posible seleccionar otros canales.

### **DECLARACIÓN DE LA FCC:**

Este equipo ha sido sometido a pruebas y se ha determinado que se encuentra dentro de los límites para los dispositivos digitales clase B, de acuerdo con el apartado 15 de las Normas de la FCC. Dichos límites han sido diseñados para proporcionar una protección razonable contra la interferencia dañina en una instalación residencial.

Este equipo genera, utiliza y puede irradiar energía de frecuencias de radio y, si no se lo instala y utiliza de acuerdo con las instrucciones, puede provocar interferencia dañina a las comunicaciones de radio. Sin embargo, no existe garantía alguna de que no habrá interferencia en una instalación determinada. Si el equipo provoca interferencia dañina a la recepción de radio o televisión, que puede determinarse al encender y apagar el equipo, se sugiere que el usuario trate de corregir la interferencia mediante una o más de las siguientes medidas:

- Reorientar o reubicar la antena receptora
- Aumentar la distancia entre el equipo y el receptor
- Conectar el equipo a un tomacorriente que esté en un circuito diferente al de la radio o el televisor.
- Consultar al distribuidor o a un técnico experimentado en radio/TV para obtener ayuda.

### **DECLARACIÓN DE LA FCC SOBRE LA EXPOSICIÓN A LA RADIACIÓN:**

Este equipo cumple con los límites de exposición a la radiación establecidos por la FCC para un entorno no controlado. Este equipo debe instalarse y utilizarse con una distancia mínima de 8 pulgadas (20 cm) entre el radiador y su cuerpo. Este electrodoméstico y su/s antena/s no deben ubicarse ni utilizarse junto con ninguna otra antena o transmisor.

## CONSERVE ESTAS INSTRUCCIONES



Emisor involuntario según el apartado 15 de las Normas de la FCC  
Tipo de producto: Secadora de ropa  
Modelo: DVE55A7300\*  
Parte responsable: Información de contacto en EE. UU.  
Samsung Electronics America, Inc.  
QA Lab America  
19 Chapin Rd. Building D Pine Brook NJ 07058  
Tel: 1-973-808-6375 Fax: 1-973-808-63

## Aviso IC

El término "IC" antes del número de certificación de radio significa únicamente que se han cumplido las especificaciones técnicas del Ministerio de Industria del Canadá. El funcionamiento se encuentra sujeto a las siguientes dos condiciones:

1. Este electrodoméstico no puede causar interferencia, y
2. Este electrodoméstico debe aceptar cualquier interferencia, incluidas aquellas que puedan causar un funcionamiento indeseado del dispositivo.

Este aparato digital Clase B cumple con la norma canadiense ICES-003.

Cet appareil numérique de la classe B est conforme à la norme NMB-003 du Canada.

En los productos vendidos en los mercados de Estados Unidos y Canadá, solo están disponibles los canales 1-11. No es posible seleccionar otros canales.

### **DECLARACIÓN DE LA IC SOBRE LA EXPOSICIÓN A LA RADIACIÓN:**

Este equipo cumple con los límites de exposición a la radiación RSS-102 establecidos por la IC para un entorno no controlado. Este equipo debe instalarse y utilizarse con una distancia mínima de 8 pulgadas (20 cm) entre el radiador y su cuerpo. Este electrodoméstico y su/s antena/s no deben ubicarse ni utilizarse junto con ninguna otra antena o transmisor.

# CONSERVE ESTAS INSTRUCCIONES

# Aviso regulatorio

---

## Anuncio sobre código abierto

---

El software incluido en este producto contiene software de código abierto. Puede obtener el correspondiente código fuente completo por un período de tres años a partir del último envío de este producto enviando un correo electrónico a <mailto:oss.request@samsung.com>.

Asimismo es posible obtener el correspondiente código fuente completo en un soporte físico como un CD-ROM; se le cobrará una tasa mínima.

La siguiente URL [http://opensource.samsung.com/opensource/SMART\\_AT\\_051/seq/0](http://opensource.samsung.com/opensource/SMART_AT_051/seq/0) lleva a la página de descarga del código fuente disponible y a la información de licencia de código abierto relacionada con este producto. Esta oferta es válida para quienes reciban esta información.



### NOTA

Por la presente, Samsung Electronics declara que el artefacto del tipo de equipo radioeléctrico se ajusta a lo dispuesto en la Directiva 2014/53/EU. El texto completo de la declaración de conformidad de la UE está disponible en la siguiente dirección de internet: La declaración oficial de conformidad puede encontrarse en <http://www.samsung.com>, vaya a Soporte > busque Conoce tu producto e ingrese el nombre del modelo.

Potencia máxima de transmisor Wi-Fi: 20 dBm a 2.412 GHz - 2.472 GHz

## CONSERVE ESTAS INSTRUCCIONES

# Requisitos de instalación

---

Lea atentamente las siguientes instrucciones antes de instalar la secadora y conserve este manual para futuras consultas.

## **ADVERTENCIA**

Algunas piezas internas no están conectadas a tierra intencionalmente y pueden presentar riesgo de descarga eléctrica únicamente durante el servicio técnico. Personal del servicio técnico: No toque las siguientes piezas mientras el electrodoméstico está recibiendo electricidad: Panel de control y válvula de entrada.

## Requisitos de instalación importantes

---

- Un tomacorriente con conexión a tierra.
- Un cable de alimentación para las secadoras eléctricas (excepto en Canadá).
- Conductos de gas (para modelos a gas) que deben cumplir con la normativa local y nacional.
- Un sistema de drenaje de metal rígido o flexible con un recubrimiento de metal resistente.

## **ADVERTENCIA**

Retire la puerta de todos los electrodomésticos desechados para evitar que un niño se asfixie.

## Consideraciones acerca de la ubicación

---

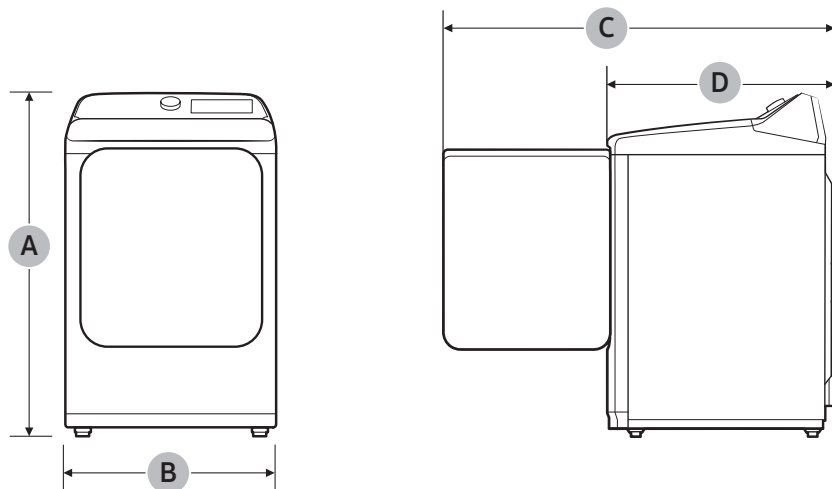
- Espacios libres suficientes entre la secadora y las paredes adyacentes u otras superficies.
- Circulación de aire adecuada para la ventilación y combustión de gas.
- Alejada del agua y los factores climáticos.

## **ADVERTENCIA**

- Asegúrese de que la secadora drene afuera a fin de reducir el riesgo de incendio.
- Mantenga el área de la secadora libre de materiales combustibles, gasolina y otros vapores y líquidos inflamables.
- No instale otros electrodomésticos que quemen combustible cerca o en el mismo lugar que la secadora.
- Coloque la secadora al menos a 18 pulgadas (460 mm) sobre el suelo en una instalación en un garaje.

# Requisitos de instalación

## Dimensiones



Tipo		Secadora de carga frontal	
Modelo		DVE(G)55A7****	DVE(G)52A5****
Dimensiones (in. (mm))	A. Altura total	45.3 (1150)	44.6 (1132)
	B. Ancho	27.0 (686)	
	C. Profundidad con la puerta abierta	50.1 (1273)	
	D. Profundidad	30.2 (768)	

## Requisito de espacio libre

Este requisito de espacio libre solo se aplica a las secadoras.

### NOTA

- Para el requisito de espacio libre para lavadoras, consulte el manual del usuario de la lavadora.
- Si la lavadora y la secadora tienen distintos requisitos de espacio libre, utilice el valor mayor.

### Instalaciones del electrodoméstico en un gabinete o en un hueco

#### ADVERTENCIA

- La secadora debe tener un drenaje con salida hacia el exterior para reducir el riesgo de incendio cuando se instala en un gabinete o en un hueco.
- No se debe instalar ningún otro electrodoméstico que queme combustible en el mismo gabinete de la secadora.
- Coloque la secadora al menos a 18 pulgadas (460 mm) sobre el suelo en una instalación en un garaje.

Espacio libre mínimo para un funcionamiento estable:

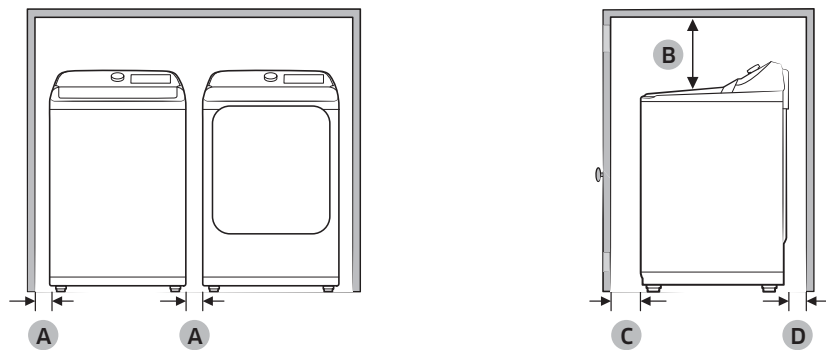
Laterales	Arriba	Posterior	Frente
1 in / 25 mm	17 in / 432 mm	5.9 in / 150 mm	1 in / 25 mm

Si se instalan una lavadora y una secadora en la misma ubicación, el frente del gabinete o hueco debe tener dos aberturas de aire sin obstrucciones que combinadas sean de al menos 72 in<sup>2</sup> (465 cm<sup>2</sup>).

# Requisitos de instalación

Este requisito de espacio libre se aplica a la instalación de lavadora y secadora juntas.

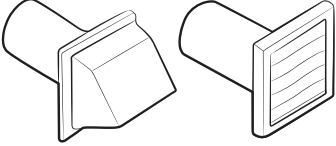
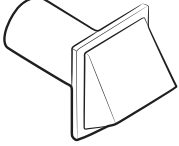
Instalación lado a lado



A	1 in (25 mm)
B	21 in (533 mm)
C	1 in (25 mm)
D	5.9 in (150 mm)



## Requisitos para el tendido de conductos

	Recomendado	Utilice solo para instalación de distancia corta
Tipo tapa para intemperie	 4" (10.2 cm)	 2.5" (6.4 cm)
N.º de codos de 90°	Rígido	Rígido
0	80 ft (24.4 m)	74 ft (22.6 m)
1	68 ft (20.7 m)	62 ft (18.9 m)
2	57 ft (17.4 m)	51 ft (15.5 m)
3	47 ft (14.3 m)	41 ft (12.5 m)

### NOTA

\* Utilice un conducto de acero galvanizado o de aluminio, de 4 pulgadas (10.2 cm) de diámetro.

### Si integrará el sistema de ventilación de la secadora con un sistema de drenaje existente, asegúrese de:

- Que el sistema de drenaje cumpla con todas las normativas locales, estatales y nacionales.
- No utilizar un conducto flexible de plástico.
- Controlar y limpiar regularmente toda la pelusa acumulada del interior de los conductos existentes.
- Que el conducto no esté enroscado o aplastado.
- Que el regulador de tiro de la tapa del drenaje se abra y se cierre sin inconvenientes.

### Mediciones del manómetro

La presión estática de cualquier sistema de drenaje no debe superar las 0,83 pulgadas de la columna de agua ni ser inferior a 0. Tenga en cuenta que estos valores se miden con la secadora en funcionamiento con un manómetro en el conducto que conecta al drenaje de la secadora. El tambor de la secadora debe estar vacío y el filtro para pelusas limpio.



# Requisitos de instalación

## Requisitos de drenaje

La secadora no debe drenarse hacia una chimenea, pared, techo, altillo, sótano de pequeña altura o espacio oculto de un edificio. Si la secadora tiene un drenaje con salida hacia el exterior se evitará que ingrese una gran cantidad de pelusa y humedad a la habitación.

### En Estados Unidos y Canadá

- Todas las secadoras deben tener un drenaje con salida hacia el exterior.
- El conducto de drenaje requerido tiene 4 pulgadas (10.2 cm) de diámetro.
- Consulte “Requisitos para el tendido de conductos” en la sección “Instalación” para conocer la longitud máxima del conducto y el número de codos que pueden utilizarse.
- La longitud total del conducto flexible metálico no debe superar los 7' 10 1/2" (2.4 m).
- No fije el conducto con tornillos u otros medios de sujeción que se extiendan dentro del conducto y atrapen pelusa.
- **Únicamente para Estados Unidos:** Utilice solo los conductos flexibles tipo lámina metálica, si los hubiera, identificados específicamente para su utilización con el electrodoméstico por el fabricante y que cumplan con el Esquema para conductos de transición de secadora de ropa. Use el Tema 2158A.

### Fuera de Estados Unidos y Canadá

- Remítase a los códigos locales.

#### ADVERTENCIA

- Debe colocar en la secadora un drenaje con salida hacia el exterior para reducir el riesgo de incendio cuando instala la secadora en un gabinete o en un hueco.
- No utilice conductos flexibles de plástico o de un material que no sea el metal.
- Si su red de conductos existente es de plástico, de un material no metálico o que sea inflamable, reemplácela por una que sea de metal.
- Utilice únicamente un conducto de drenaje de metal que no sea inflamable para asegurar la contención del aire expulsado, el calor y la pelusa.



## Requisitos en cuanto al gas

### ADVERTENCIA

- Utilice únicamente gas natural o gas LP (gas licuado de propano).
- La instalación debe realizarse en conformidad con los códigos locales, o en ausencia de ellos, con el Código Nacional para Gas y Combustibles ANSI/Z223.1/NFPA 54, la revisión más reciente (para los Estados Unidos), o con el Código de Instalación de Gas Natural y Propano CSA B149.1 (para Canadá).
- Las secadoras a gas están equipadas con un orificio para el quemador de modo que puedan ser utilizadas con gas natural. Si tiene pensado utilizar su secadora con gas LP (gas licuado de propano), deberá efectuarse la conversión para lograr un funcionamiento adecuado y seguro, tarea que deberá estar a cargo de un técnico calificado. **(Sólo modelos LNG)**  
Debe revisar el quemador de su modelo y usar el kit de propano licuado (LP) correspondiente. Para consultar la información detallada del quemador, abra la puerta y vea la etiqueta de voltaje en el marco de la puerta.
  - 20,000 BTU: LPKIT-4/XAA (DC98-04114A)
  - 22,000 BTU: LPKIT-3/XAA (DC99-00792A)
- Se recomienda usar un conducto de suministro de gas de 1/2" (1.27 cm) y el mismo debe reducirse para la conexión con el conducto de gas de 3/8" (1 cm) de su secadora. El Código Nacional para Gas y Combustibles exige que se instale una válvula manual de cierre del gas, aprobada y de fácil acceso, dentro de las 6" de distancia de la secadora.
- Las secadoras a gas instaladas en garajes residenciales deben estar elevadas a 18 pulgadas (46 cm) del piso.

- Además, se debe instalar una conexión roscada macho de 1/8" (0.3 cm) N.P.T. (rosca nacional para tubos), accesible para la conexión del medidor de prueba, inmediatamente contra corriente de la conexión del suministro de gas de la secadora.
- Su secadora debe estar desconectada del sistema de suministro de gas durante las pruebas de presión del sistema.
- No vuelva a utilizar los viejos conductos de gas de metal flexible. El diseño del conducto de gas flexible debe estar certificado por el estándar utilizado para aparatos a gas ANSI Z21.24 • CSA 6.10.

### NOTA

- La secadora utiliza un sistema de encendido automático para encender el quemador. No existe un piloto que permanezca constantemente encendido.
- Todo compuesto de unión de tuberías utilizado debe ser resistente a la acción del gas licuado de petróleo.
- A modo de cortesía, la mayoría de las empresas locales de gas inspeccionarán la instalación del artefacto a gas.

### Instrucciones de instalación de la comunidad de Massachusetts

La instalación de la secadora deberá estar a cargo de un plomero o un instalador de gas calificado. Se deberá instalar una válvula de gas manual con una manija en forma de "T" en el conducto de suministro de gas de la secadora. Si se utiliza un conector de gas flexible para instalar la secadora, el conector debe tener una longitud máxima de 3' (36").



# Requisitos de instalación

## **ADVERTENCIA**

- Se pueden producir pérdidas de gas en su sistema y ocasionar una situación peligrosa.
- Las pérdidas de gas pueden no ser detectadas únicamente por el olor.

- Los proveedores de gas recomiendan que compre e instale un detector de gas aprobado por UL.
- Instale y utilice de acuerdo con las instrucciones del fabricante.

## Requisitos eléctricos

El diagrama del cableado se encuentra en la placa debajo del panel de control o en el armazón posterior.

## **ADVERTENCIA**

- La conexión inadecuada del conductor de conexión a tierra del equipo puede generar el riesgo de descarga eléctrica. Consulte a un electricista o técnico calificado si le surgen dudas acerca de si la conexión a tierra de su secadora es correcta. No modifique el enchufe provisto con la secadora; si no entra en el tomacorriente, solicite a un electricista calificado que instale el tomacorriente adecuado.
- Para evitar el riesgo innecesario de incendio, descarga eléctrica o lesiones físicas, todo el cableado y la conexión a tierra deben realizarse de conformidad con los códigos locales o, en ausencia de ellos, de conformidad con el Código Eléctrico Nacional, ANSI/NFPA Nro. 70, su última revisión (para EE.UU.) o el Código Eléctrico Canadiense CSA C22.1, sus últimas revisiones y los códigos y ordenanzas locales. Es su responsabilidad proveer el servicio eléctrico adecuado para su secadora.

- Todas las instalaciones de gas deberán realizarse de conformidad con el Código Nacional para Combustibles ANSI/Z2231, su última revisión (para EE.UU.) o con los Códigos de Instalación CAN/CGA - B149, su última revisión (para Canadá) y los códigos y ordenanzas locales.

## Conexión a tierra

Esta secadora debe conectarse a tierra. En caso de que el electrodoméstico funcione mal o se descomponga, la conexión a tierra reducirá el riesgo de descarga eléctrica al ofrecer una vía de menos resistencia a la corriente eléctrica.

## Modelos a gas

### **ADVERTENCIA**

- Su secadora tiene un cable con un conductor de conexión a tierra del equipo y un enchufe de conexión a tierra. El enchufe debe conectarse a un tomacorriente adecuado que esté correctamente instalado y conectado a tierra en conformidad con todos los códigos y ordenanzas locales.
- No modifique el enchufe provisto con la secadora; si no entra en el tomacorriente, solicite a un electricista calificado que instale el tomacorriente adecuado.
- No conecte el cable a tierra a las tuberías de plástico, las tuberías de gas o a las cañerías de agua caliente.



## Modelos eléctricos

### **ADVERTENCIA**

- Su secadora tiene un cable opcional con un conductor de conexión a tierra del equipo y un enchufe de conexión a tierra. El cable se vende por separado.
- El enchufe debe conectarse a un tomacorriente adecuado que esté correctamente instalado y conectado a tierra en conformidad con todos los códigos y ordenanzas locales.
- No modifique el enchufe provisto con la secadora; si no entra en el tomacorriente, solicite a un electricista calificado que instale el tomacorriente adecuado.
- Si no se utiliza un cable de alimentación y la secadora eléctrica debe estar permanentemente conectada, se la debe conectar a un sistema de cableado de metal con conexión a tierra permanente, o se debe conectar un conductor con conexión a tierra del equipo a los conductores del circuito y a la terminal con conexión a tierra del equipo o al cable de la secadora.

## Conexiones eléctricas

Antes de poner el electrodoméstico en funcionamiento o realizar pruebas, siga las instrucciones de conexión a tierra de la sección “Conexión a tierra”. Se recomienda que se destine un circuito derivado individual (o separado) solo para la secadora.

No utilice un cable prolongador.

### Modelos a gas - EE.UU. y Canadá

Se requiere un servicio eléctrico aprobado de CA de 120 voltios, 60 Hz, con un fusible o interruptor de 15 A.

### Modelos eléctricos - Solo EE.UU.

La mayoría de las secadoras estadounidenses requieren un servicio eléctrico aprobado de CA de 120/240 voltios, 60 Hz. Algunas requieren un servicio eléctrico aprobado de 120/208 voltios, 60 Hz. Los requisitos del servicio eléctrico pueden encontrarse en la etiqueta con información ubicada detrás de la puerta. Se requiere un fusible o interruptor de 30 A a ambos lados del conducto.

- Si se utiliza un cable de alimentación, el cable debe enchufarse a un tomacorriente de 30 A.
- No se provee el cable de alimentación con los modelos eléctricos de secadoras estadounidenses. El cable se vende por separado.

# Requisitos de instalación

## ADVERTENCIA

### Riesgo de descarga eléctrica

Si lo permiten los códigos locales, se puede conectar el suministro eléctrico de la secadora por medio de un nuevo kit de cable de alimentación eléctrica, rotulado para que se lo utilice con una secadora, es decir que cuente con certificación U.L. y categorizado en un mínimo de 120/240 voltios, 30 amperes con tres conductores de cobre Nro. 10 que finalicen en terminales de bucle cerrado, pernos de pala de tipo abierto con extremos rebatidos o con conductores de estaño.

- No vuelva a utilizar un cable de alimentación eléctrica de una secadora vieja. El cable de alimentación eléctrica debe asegurarse en el gabinete de la secadora con una protección contra los tirones adecuada con certificación UL.
- La conexión a tierra a través del conductor neutro está prohibida para (1) instalaciones nuevas con circuito derivado, (2) casas rodantes, (3) vehículos de recreo y (4) áreas en las que los códigos locales prohíban la conexión a tierra a través de un conductor neutro. (Utilice un enchufe de 4 pines para un tomacorriente de 4 ranuras, tipo NEMA 14-30R.)

### Modelos eléctricos - Solo Canadá

Se requiere un servicio eléctrico aprobado de CA de 120/240 voltios, 60 Hz, equipado con un fusible o interruptor de 30 A a ambos lados del conducto.

### NOTA

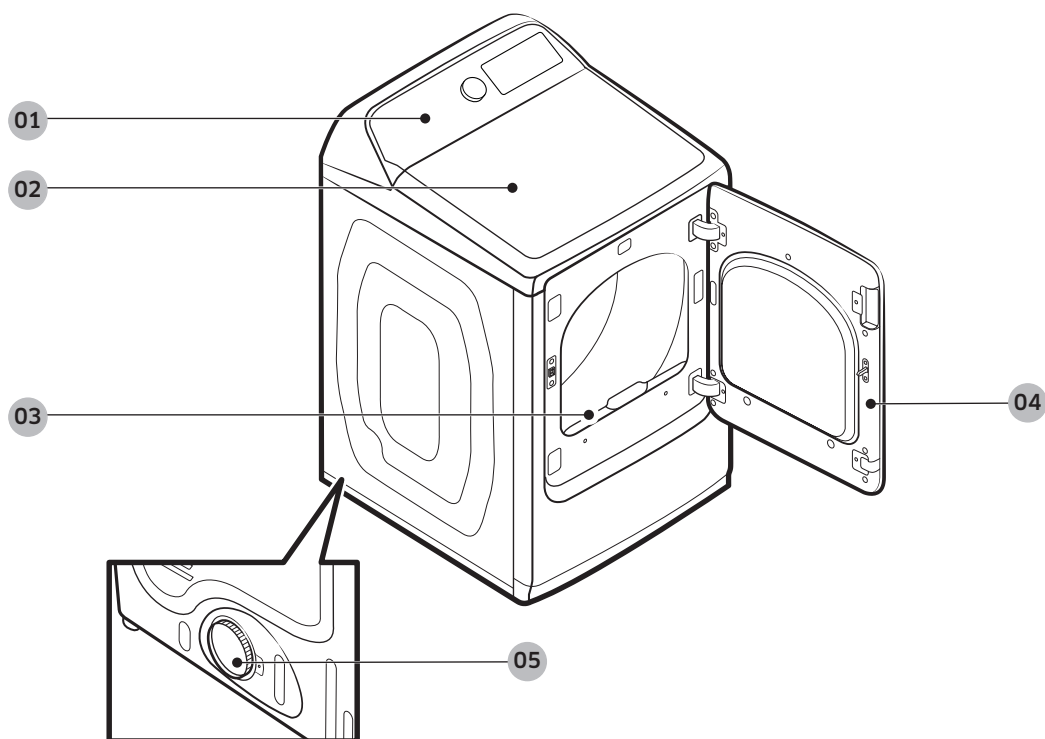
Todos los modelos canadienses se envían con el cable de alimentación adjunto. El cable de alimentación debe conectarse a un tomacorriente de 30 A. En Canadá está permitido convertir una secadora a 120/208 voltios.

# Instalación

La instalación de la secadora debe estar a cargo de un técnico calificado. El instalador será responsable de conectar la secadora a la fuente de alimentación principal y a la vez de cumplir con las normas de seguridad correspondientes de su zona.

## Componentes

Asegúrese de que todos los componentes estén incluidos en el paquete. Si tiene algún problema con la secadora o las piezas, comuníquese con un centro de atención al cliente de Samsung o con el vendedor.



01 Panel de control

02 Encimera

03 Filtro para pelusas

04 Puerta

05 Conducto de drenaje

# Instalación

## Partes suministradas



Conector en forma de "Y"

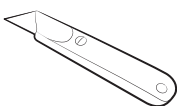


Manguera de agua corta

## Herramientas necesarias para la instalación



Pinzas



Cúter



Llave inglesa para tuberías (solo para modelos a gas)



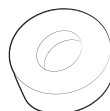
Llave de tuercas



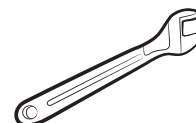
Nivelador



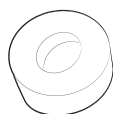
Destornillador Phillips



Cinta para conductos



Llave inglesa



Compuesto GLP (gas licuado de petróleo) o cinta de teflón (para la instalación del gas)

### **⚠ ADVERTENCIA**

Los materiales de empaque pueden ser peligrosos para los niños. Mantenga todos los materiales de empaque (bolsas de plástico, poliestireno, etc.) lejos del alcance de los niños.





---

## Instalación paso a paso

---

Asegúrese de que un técnico calificado instale la secadora. A continuación aparecen unas instrucciones paso a paso de la instalación.

- No retire la película protectora de la puerta antes de finalizar la instalación del producto. Si retira la película protectora antes de finalizar la instalación, la puerta puede rayarse o dañarse durante la instalación.
- Asegúrese de que el lugar de instalación cuente con espacio suficiente para abrir la puerta de la secadora por completo.

### PASO 1 Instale el sistema de drenaje

---

1. Seleccione un lugar y coloque allí la secadora. Para facilitar el acceso, le recomendamos que instale la secadora en la misma ubicación que la lavadora.
2. Para modificar la dirección de la puerta, consulte “Cambiar la posición de la puerta” en la página 36.
3. Instale el sistema de drenaje como se indica en la sección “Guía de los conductos de drenaje”.

#### PRECAUCIÓN

Antes de instalar la secadora, quite el empaque del conducto.

#### NOTA

- Para mover la secadora con facilidad, coloque dos de las protecciones de cartón del empaque en el piso. Incline la secadora hacia uno de los laterales, de modo tal que quede apoyada sobre ambas protecciones. Empuje la secadora hasta que se encuentre cerca de su ubicación final y colóquela en posición vertical.
- Asegúrese de que haya espacio suficiente alrededor de la secadora para facilitar la instalación de conductos y el cableado.

### PASO 2 Conecte el conducto de gas (para modelos a gas)

---

Antes de conectar el conducto de gas, asegúrese de haber leído la sección “Requisitos en cuanto al gas” en la página 19.

1. Retire la tapa protectora del tubo de gas.
2. Aplique un compuesto GLP (Gas licuado de petróleo) o 1.5 vueltas de cinta de teflón en todas las conexiones roscadas.
3. Conecte el suministro de gas a la secadora. Se requiere un accesorio adicional para conectar el extremo de la rosca hembra de 3/4” (1.9 cm) de un conector flexible al extremo de la rosca macho de 3/8” (1 cm) de la secadora. Ajuste los accesorios que cubren todas las roscas.
4. Abra el suministro de gas y verifique que no haya pérdidas con una solución jabonosa. Si encuentra alguna pérdida, ajuste las conexiones e inténtelo nuevamente. No use una llama abierta para verificar si hay pérdidas de gas.

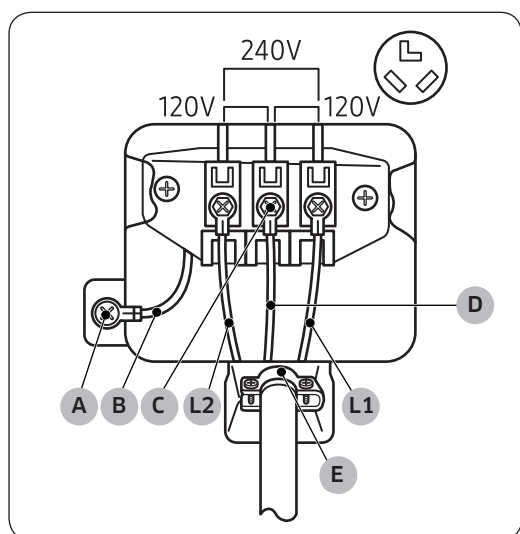


# Instalación

## PASO 3 Conecte el cableado eléctrico (para los modelos eléctricos)

Antes de conectar el cableado eléctrico, asegúrese de haber leído la sección "Requisitos eléctricos" en la página 20.

Sistema de 3 cables



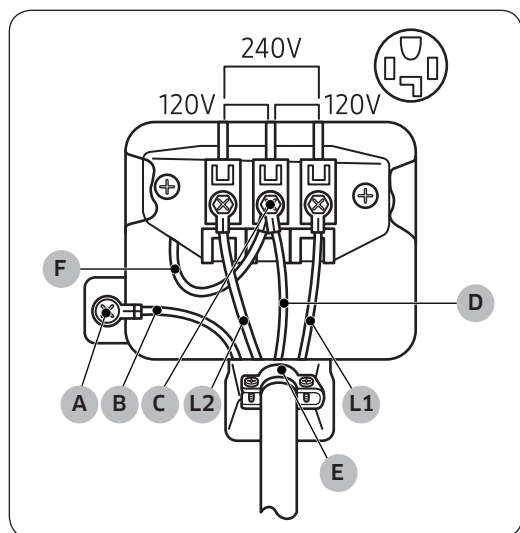
- A. Conector a tierra externo
- B. Cable a tierra neutro (blanco)
- C. Tornillo central de color plateado del bloque de terminales
- D. Cable neutro (cable blanco o central)
- E. Dispositivo de alivio de tensión con certificación UL de 3/4" (1.9 cm)

1. Afloje o retire los tornillos del bloque central de terminales.
2. Conecte el cable neutro (cable blanco o central) del cable de alimentación a la terminal de tornillo central de color plateado del bloque de terminales. Ajuste los tornillos.
3. Conecte los demás cables a los tornillos externos del bloque de terminales. Ajuste los tornillos.
4. Ajuste los tornillos de alivio de tensión.
5. Inserte la cubierta del bloque de terminales en el panel trasero de la secadora. Luego, asegure la cubierta con un tornillo de sujeción.

### ⚠ PRECAUCIÓN

- Para realizar la conversión del sistema de 4 cables a 3 cables, conecte la cinta de conexión a tierra al soporte del bloque de terminales para conectar a tierra el armazón de la secadora al conductor neutro.
- Se recomienda utilizar terminales de tipo anillo. Si utiliza terminales de correa, asegúrese de que estén ajustados.
- Conecte el cable de alimentación y verifique el voltaje de L1/L2/N. Si el voltaje es bajo, es posible que el calentador sea deficiente. De ser necesario, consulte la sección "Requisitos eléctricos" en la página 20.

## Sistema de 4 cables



- A. Conector a tierra externo
- B. Cable a tierra neutro (blanco)
- C. Tornillo central de color plateado del bloque de terminales
- D. Cable neutro (cable blanco o central)
- E. Protección contra los tirones con certificación UL de 3/4" (1.9 cm)
- F. Cable neutro (cable blanco o central)

### **⚠ PRECAUCIÓN**

Conecte el cable de alimentación y verifique el voltaje de L1/L2/N. Si el voltaje es bajo, es posible que el calentador sea deficiente. De ser necesario, consulte la sección "Requisitos eléctricos" en la página 20.

1. Retire el tornillo del conector externo a tierra y conecte el cable de conexión a tierra (verde o sin cubierta) del cable de alimentación al tornillo.

### **⚠ PRECAUCIÓN**

- Para conectar el cable de conexión a tierra a la posición neutra sin atravesar el contacto A (conexión a tierra del gabinete), comuníquese con un técnico. No se trata de una operación que pueda realizar el usuario.
  - Se recomienda utilizar terminales de tipo anillo. Si utiliza terminales de correa, asegúrese de que estén ajustados.
2. Afloje o retire los tornillos del bloque central de terminales.
  3. Conecte el cable neutro (cable blanco o central) y el cable de conexión a tierra (blanco) al tornillo central del bloque de terminales. Ajuste el tornillo.
  4. Conecte los demás cables a los tornillos externos del bloque de terminales. Ajuste los tornillos.
  5. Ajuste los tornillos de alivio de tensión.
  6. Inserte la lengüeta de la cubierta del bloque de terminales en la ranura trasera de la secadora. Asegure la cubierta con un tornillo de sujeción.

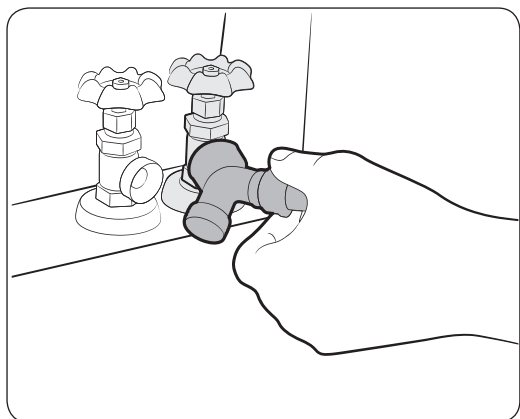
# Instalación

## ⚠ ADVERTENCIA

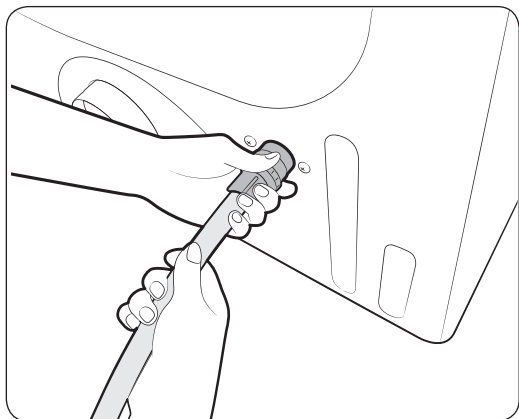
- Todos los modelos estadounidenses están fabricados para una conexión de sistemas de 3 cables. El armazón de la secadora está conectado a tierra al conductor neutro del bloque de terminales. Se requiere una conexión de sistemas de 4 cables para las construcciones nuevas o remodeladas, las casas rodantes o si los códigos locales no permiten la conexión a tierra a través del neutro. Si utiliza un sistema de 4 cables, no puede conectar a tierra el armazón de la secadora al conductor neutro del bloque de terminales.
- Retire la tapa del bloque de terminales. Inserte el cable de alimentación con un dispositivo de alivio de tensión con certificación UL a través del orificio provisto en el gabinete cerca del bloque de terminales.
- Se debe utilizar un dispositivo de alivio de tensión. No afloje las tuercas ya instaladas en el bloque de terminales. Asegúrese de que estén ajustadas. Utilice un tomacorriente para huecos profundos de 3/8" (1 cm).
- Desde el 1 de enero de 1996, el Código Eléctrico Nacional requiere que el cableado nuevo (que no exista) utilice una conexión de 4 cables a esta secadora.

## PASO 4 Conectar la manguera de agua

La secadora debe conectarse a una llave de agua fría mediante las mangueras de agua provistas.



1. Cierre la llave de agua fría. Si tiene una manguera de agua fría de la lavadora conectada a la llave de agua fría, desatornille y quite la manguera. Luego, conecte el extremo hembra del conector en forma de Y a la llave de agua fría.
2. Conecte el extremo recto de la manguera de agua al conector en forma de "Y".
3. Ajuste la unión con otros dos tercios de giro adicionales utilizando la pinza. No ajuste de más dado que puede dañar la unión.

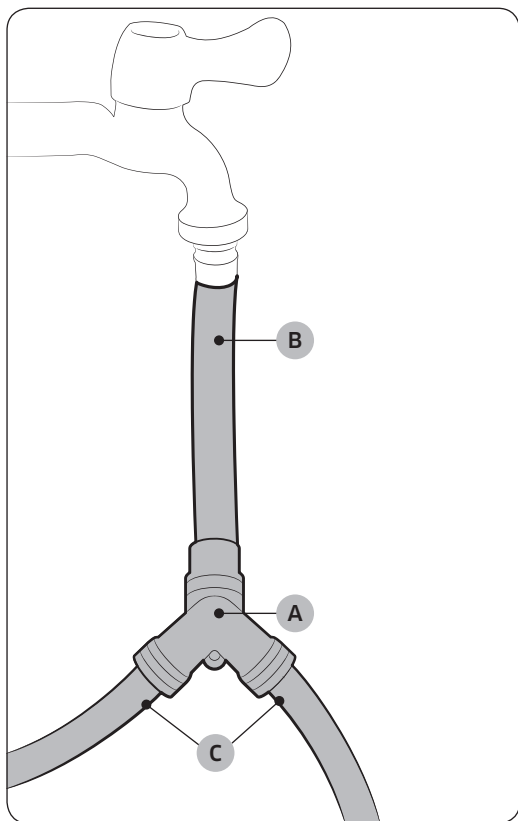


4. Conecte el extremo angular de la manguera de agua a la válvula de carga en la parte inferior del armazón trasero. Gire la unión manualmente hasta que esté ajustada.
5. Ajuste la unión con otros dos tercios de giro adicionales utilizando la pinza. No ajuste de más dado que puede dañar la unión.
6. Si ha desconectado la manguera de agua fría de la lavadora, una la manguera al extremo abierto del conector en forma de Y, ajuste bien la unión a mano y, luego, ajuste con otros dos tercios de giro adicionales utilizando la pinza.
7. Abra la llave de agua fría y verifique que no haya pérdidas.

Si el conector en forma de "Y" no puede conectarse directamente a la llave de agua fría, use una manguera corta. Consulte la sección "Uso de una manguera corta como prolongación" en la página 30.

# Instalación

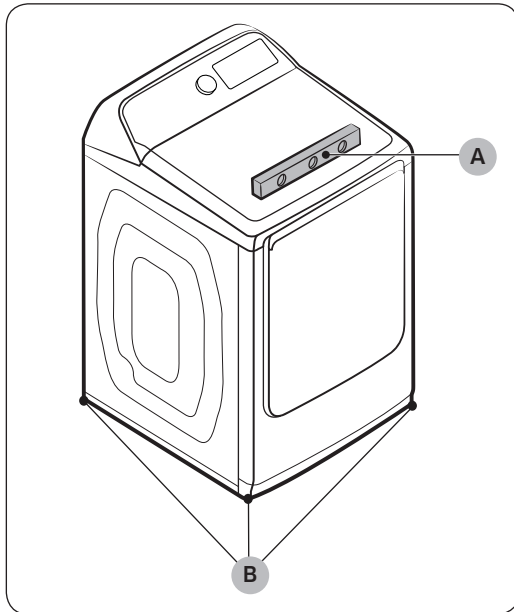
## Uso de una manguera corta como prolongación



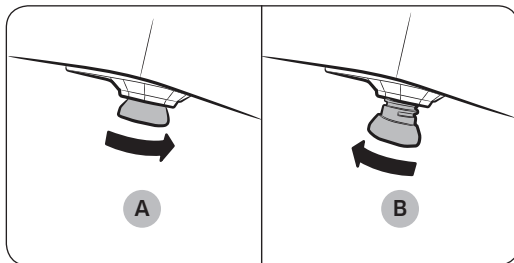
1. Cierre la llave de agua fría. Si tiene una manguera de agua fría de la lavadora conectada a la llave de agua fría, desatornille y quite la manguera. Luego, conecte la **manguera corta (B)** a la llave de agua fría. Gire la unión manualmente hasta que esté ajustada.
2. Ajuste la unión con otros dos tercios de giro adicionales utilizando la pinza. No ajuste de más dado que puede dañar la unión.
3. Una el **conector en forma de Y (A)** al extremo macho de bronce de la manguera corta. Gire la unión manualmente hasta que esté ajustada.
4. Ajuste la unión con otros dos tercios de giro adicionales utilizando la pinza. No ajuste de más dado que puede dañar la unión.
5. Conecte el extremo angular de las **mangueras de agua (C)** a la válvula de carga en la parte inferior del armazón trasero. Gire la unión manualmente hasta que esté ajustada.
6. Ajuste la unión con otros dos tercios de giro adicionales utilizando la pinza. No ajuste de más dado que puede dañar la unión.
7. Si ha desconectado la manguera de agua fría de la lavadora, una la manguera al extremo libre del conector en forma de Y, ajuste bien la unión a mano y, luego, ajuste con otros dos tercios de giro adicionales utilizando la pinza.
8. Abra la llave de agua fría y verifique que no haya pérdidas.

## PASO 5 Nivele la secadora

Para garantizar un desempeño óptimo, la secadora debe estar nivelada.



Con un **nivel (A)**, verifique si la secadora está nivelada de lado a lado y de adelante hacia atrás. Si la lavadora no está nivelada, gire la **pata niveladora (B)** hacia la derecha para bajar la lavadora y hacia la izquierda para elevarla.



### NOTA

- Para colocar la secadora a la misma altura que la lavadora, **retraiga (A)** completamente las patas niveladoras girándolas en sentido contrario al de las agujas del reloj, luego **afloje (B)** las patas girándolas en el sentido de las agujas del reloj. Una vez que la secadora está a la misma altura que la lavadora, siga las instrucciones precedentes para nivelar la secadora.
- Ajuste las patas niveladoras solo lo necesario para nivelar la secadora. Extender las patas niveladoras más de lo necesario puede hacer que la secadora vibre.

# Instalación

---

## **PASO 6 Encendido (para modelos a gas)**

---

Asegúrese de que todas las conexiones de gas, el conducto de drenaje y el cableado se realicen correctamente. Luego, enchufe el cable de alimentación a una fuente de alimentación y verifique la instalación y el funcionamiento de la secadora con la lista final de verificación del paso 7.

## **PASO 7 Verificación final**

---

Una vez finalizada la instalación, confirme que:

- La secadora está enchufada a un tomacorriente y está conectada a tierra correctamente.
- Los conductos de drenaje están conectados y se colocó cinta a las uniones.
- Usted usó conducto rígido o flexible con un recubrimiento de metal resistente, no conducto flexible de plástico.
- La secadora está nivelada y apoyada firmemente sobre el piso.
- La secadora se pone en funcionamiento, funciona, calienta y se apaga correctamente.

Para modelos a gas:

- El gas se proporciona correctamente, sin pérdidas (Solo para modelos a gas).

### **PRECAUCIÓN**

Es posible que al principio el quemador no se encienda debido a la presencia de aire en el conducto de gas. Permitir que la secadora funcione con la opción de calor purgará el conducto. Si en el lapso de 5 minutos el gas no se enciende, apague la secadora y espere 5 minutos. Asegúrese de que el suministro de gas hacia su secadora esté abierto. Para confirmar que el gas está encendido, controle que se sienta calor en el drenaje.




## Prueba de bloqueo de la ventilación

Una vez instalada la secadora, inicie la prueba de bloqueo de la ventilación para verificar si el sistema de conductos está instalado correctamente. La prueba de bloqueo de la ventilación detecta automáticamente el estado de los conductos e informa de cualquier bloqueo o problema. Una instalación correcta de los conductos puede reducir el tiempo de secado y ahorrar energía.

### **NOTA**

La prueba de bloqueo de la ventilación debe realizarse cuando la secadora está fría. Si la secadora se calienta luego de la verificación de la instalación, ejecute el ciclo **AIR FLUFF (TEMPERATURA AMBIENTE)** durante algunos minutos para reducir su temperatura interna.

### Ejecución de la prueba de bloqueo de la ventilación

1. Asegúrese de que el tambor esté vacío y luego cierre la puerta. (Si hay ropa u otros productos en el tambor, los resultados de la prueba no serán precisos.)
2. Presione el botón **Encender/Apagar** para encender la secadora, luego mantenga presionados simultáneamente los botones **Adjust Time (Ajustar tiempo)**  y **Dryness (Nivel de secado)** durante 3 segundos. "InS o In" aparece en la pantalla de la secadora. (Si ha iniciado otros procedimientos antes de la prueba de bloqueo de la ventilación, la secadora no accede al modo de prueba de bloqueo de la ventilación.)
3. Presione el botón **Inicio/Pausa (Hold to Start (Mantenga presionado para iniciar))** para comenzar el secado. La prueba de bloqueo de la ventilación se inicia inmediatamente. Durante la prueba, el indicador numérico gira en 6 pasos en el sentido de las agujas del reloj. La prueba dura aproximadamente 2 minutos. No abra la puerta durante la prueba.
4. Luego de 2 minutos, cuando la prueba se ha completado, se muestran los resultados y la secadora emite una señal. Si el estado del sistema de conductos es normal, se muestra "0" y la secadora emite una señal de finalización. Si el sistema de conductos no puede drenarse correctamente, aparece el código de verificación y la secadora emite una señal de alarma. Para obtener una descripción del código, consulte la sección "**Códigos de verificación de la instalación**" en la página 35. Si hay otros problemas, aparece un código de información en la pantalla. Para obtener una descripción del código, consulte la sección "**Códigos de información**" en la página 60.
  - Para detener o cancelar la prueba de bloqueo de la ventilación, presione el botón **Encender/Apagar** para apagar la secadora.
  - Los resultados se muestran en la pantalla durante aproximadamente 5 minutos y luego ésta se apaga en forma automática. Puede apagar el resultado inmediatamente presionando el botón **Encender/Apagar**.

### **NOTA**

- Durante y luego de la prueba, el interior del tambor está caliente. Tenga cuidado para evitar quemaduras. La prueba de bloqueo de la ventilación se usa para detectar problemas en el sistema de conductos actual cuando la secadora se instala por primera vez.

# Instalación

---

- Si el resultado de la prueba muestra un código de verificación (el sistema de conductos está bloqueado), consulte la sección **“Requisitos para el tendido de conductos”** en la página **17** y la sección **“Guía de los conductos de drenaje”** a continuación, y tome las medidas correspondientes para corregir cualquier problema. Si la prueba se suspende, puede dar resultados incorrectos. Siga los procedimientos adecuados para realizar la prueba de la secadora.
- Aunque el resultado sea normal (**“End o 0”**), el sistema de conductos puede estar ligeramente bloqueado. Instale correctamente los conductos de acuerdo con las instrucciones de instalación de este instructivo.

## Códigos de verificación de la instalación

Código de verificación	Significado	Solución
0	El estado de la ventilación es bueno.	
Clg (Cg)	La ventilación está obstruida.	<ol style="list-style-type: none"> <li>1. Limpie el filtro para pelusas.</li> <li>2. Verifique el estado de la ventilación. (Consulte la sección “<b>Requisitos para el tendido de conductos</b>”)</li> </ol> <p>* Debe tomar medidas (como la limpieza) a realizar por personal especializado.</p>
C80 (C8)	Aproximadamente el 80 % de la ventilación está obstruida. (Esto puede afectar el desempeño del secado.)	
C90 (C9)	Más del 90 % de la ventilación está bloqueada. (Esto puede generar problemas de secado o fallas de funcionamiento.)	
Ct	La temperatura interna de la secadora es demasiado baja (inferior a 32 °F [0 °C]) o demasiado alta (superior a 104 °F [40 °C]) y, por lo tanto, no se puede detectar el bloqueo de la ventilación.	Deje la secadora a temperatura ambiente (41~95 °F [5~35 °C]) durante una hora y vuelva a verificarla.
tC	Error en el sensor de temperatura	Contáctese con el Servicio técnico.
C1	La unidad detecta artículos en el tambor o hay un error en el sensor de secado.	Retire los artículos del tambor y vuelva a intentar. Si el problema persiste, comuníquese con un centro de servicio.
dC	La unidad detecta que la puerta está abierta.	Cierre la puerta correctamente y vuelva a intentar. Si el problema persiste, comuníquese con un centro de servicio.
9C1	Se detectó un voltaje anómalo.	Verifique la conexión eléctrica. (Consulte la sección “ <b>Conecte el cableado eléctrico (para los modelos eléctricos)</b> ”) Si el problema persiste, comuníquese con un centro de servicio.
HC	Detección de temperatura anormal en el tambor.	Verifique la conexión eléctrica. Verifique el estado de la ventilación. Si el problema persiste, comuníquese con un centro de servicio.

# Instalación

## Guía de los conductos de drenaje

### Conductos

1. Asegúrese de que la secadora esté instalada correctamente para que drene fácilmente.
2. Utilice conductos de metal rígido, de 4 pulgadas. Coloque cinta en todas las uniones, incluso en la conexión de la secadora. Nunca use tornillos que atrapen pelusa.
3. Para facilitar el drenaje, mantenga los conductos tan rectos como sea posible.

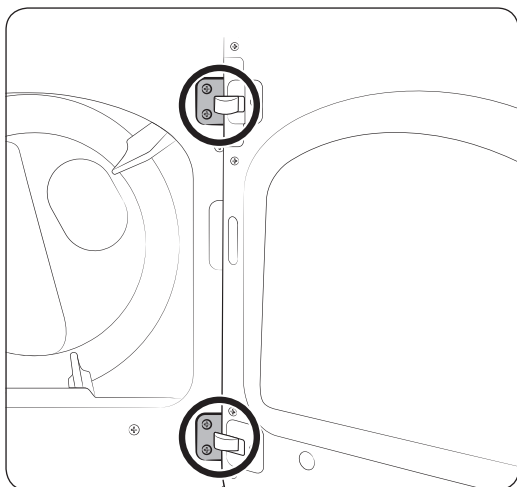
### Limpieza

Limpie los conductos viejos antes de instalar la secadora y asegúrese de que la ventilación se abra y se cierre sin inconvenientes. Le recomendamos que limpie el sistema de drenaje anualmente o en forma regular.

#### **⚠ ADVERTENCIA**

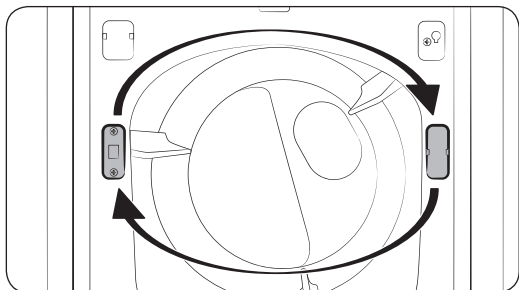
- A fin de evitar incendios, no use ningún tipo de conducto plástico, con un recubrimiento delgado o de un material que no sea el metal.
- No use un mal sistema de drenaje dado que demora el desempeño de la secadora.
- No use conductos excesivamente largos con muchos codos.
- No use conductos o tubos de ventilación aplastados u obstruidos.

## Cambiar la posición de la puerta

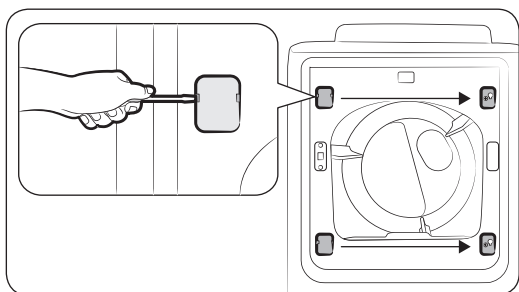


Para invertir el sentido en que se abre la puerta, le recomendamos que llame a un técnico calificado.

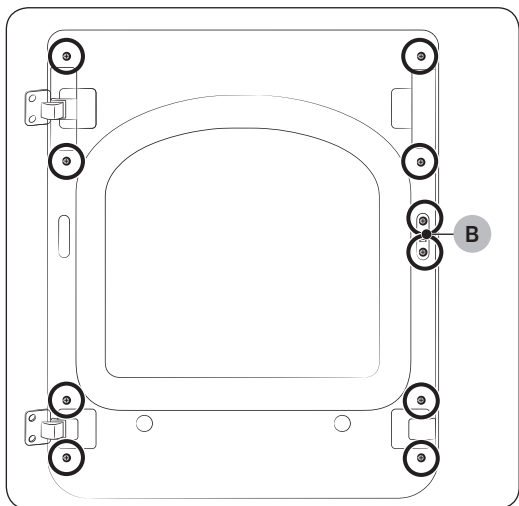
1. Coloque una paño suave sobre el piso para apoyar la puerta después de retirarla. Esto impedirá que se raye la puerta.
2. Desenchufe el cable de alimentación de la secadora.
3. Retire los cuatro tornillos de la bisagra de la puerta y luego retire la puerta levantándola levemente.



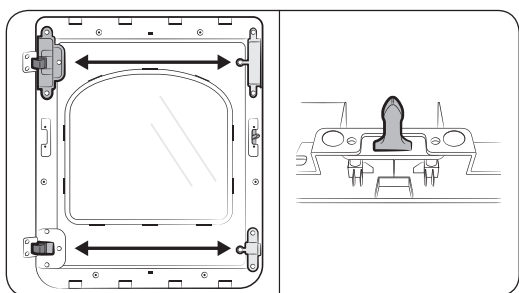
4. Retire los dos tornillos de la placa de apoyo y retire la cubierta de la placa.
5. Coloque la placa de apoyo del otro lado como se muestra y ajuste los tornillos. Instale la cubierta de la placa en el lado opuesto como se muestra.



6. Use un destornillador plano para retirar las dos cubiertas de la bisagra del lado original. Instale las cubiertas de la bisagra en el lado opuesto como se muestra.

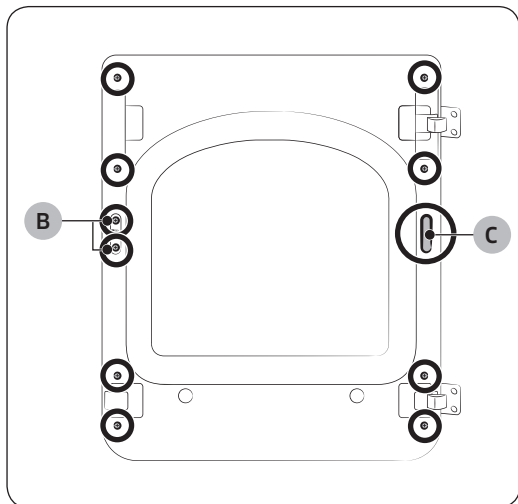


7. Ubique y retire los 10 tornillos como se muestra. Tenga en cuenta que el **tornillo B (x2)** es más largo que los demás.

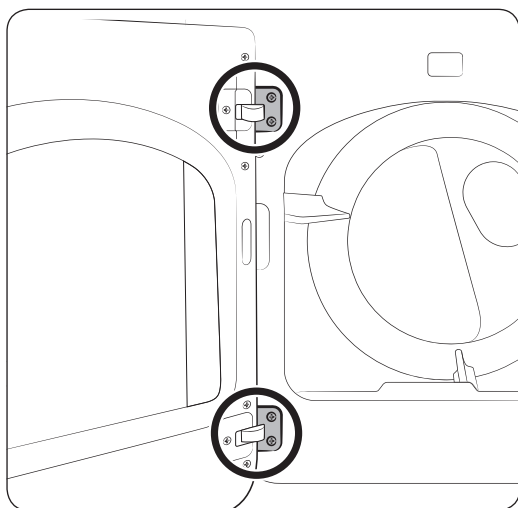


8. Retire el soporte del vidrio e invierta las posiciones de:
  - a. la cubierta de la bisagra y la manija de la puerta.
  - b. el soporte de la bisagra y el soporte de la guía del vidrio
9. Retire la manija de la puerta y colóquela del otro lado como se ilustra.

# Instalación



10. Retire la **tapa del orificio (C)** e inserte y ajuste el soporte del vidrio usando los 10 tornillos que retiró.
11. Instale la **tapa del orificio** en el lado opuesto como se muestra.



12. Coloque nuevamente la puerta en el marco frontal y luego inserte y ajuste con cuidado los 4 tornillos de la bisagra.

# Antes de comenzar

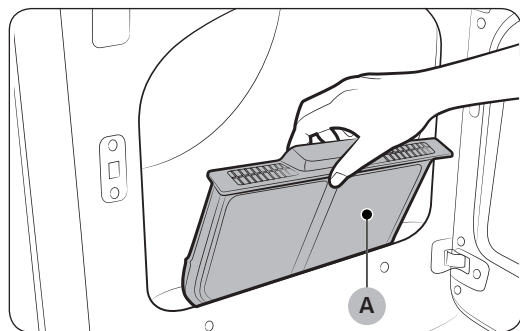
Antes de encender la secadora, debe saber algunas cosas.

## Clasificación y carga

- Coloque una carga de ropa en la secadora por vez.
- No mezcle prendas pesadas y livianas.
- Para mejorar la eficiencia de secado al secar una o dos prendas, agregue una toalla seca a la carga.
- Para obtener mejores resultados, desenrede las prendas antes de colocarlas en la secadora. Las prendas enredadas pueden disminuir la eficacia del secado o hacer que se abra la puerta.
- Sobrecargar la secadora limita su funcionamiento y ocasiona un secado desperejo así como la formación de arrugas.
- A menos que se recomiende en la etiqueta, no seque prendas de lana o fibra de vidrio.
- Evite secar artículos sin lavar.
- No seque artículos muy sucios con aceite, alcohol, gasolina, etc.

## Requisito de funcionamiento

### Filtro para pelusas



Para evitar el riesgo de incendios, asegúrese de limpiar el filtro de pelusa antes o después de cada carga.

1. Apague la secadora.
2. Abra la puerta y retire el **filtro de pelusa (A)** del tambor.
3. Retire la pelusa y luego limpie el filtro.
4. Inserte el filtro nuevamente y cierre la puerta.

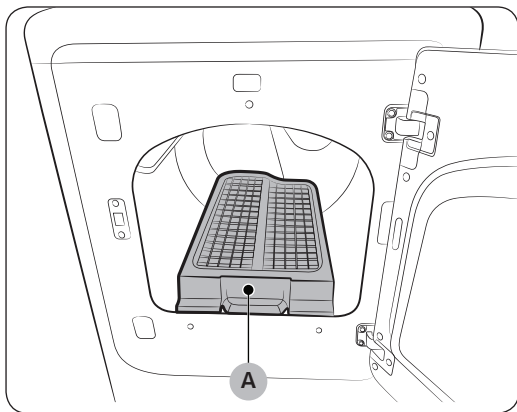
### ⚠ PRECAUCIÓN

- No haga funcionar la secadora sin el filtro para pelusas insertado.
- No utilice un filtro de pelusa dañado o roto. Esto podría reducir el desempeño y/o provocar un incendio.

# Antes de comenzar

## Secado en estante (únicamente para los modelos aplicables)

Algunos modelos se suministran con un estante de secado que viene de fábrica insertado en el tambor. Si su modelo se suministra con un estante de secado, retire este del tambor antes de usar la secadora por primera vez. Para retirarlo, jale el estante en línea recta hacia arriba y, luego, retírelo del tambor. Retire el estante de secado de su empaque y guárdelo para uso futuro.



Si no se proporciona el estante de secado, puede comprarlo en un centro de servicio local de Samsung. (Código de pieza: DC93-00374H)

Para usar el estante de secado, siga estos pasos:

1. Inserte el **estante de secado (A)** en el tambor con la tapa del filtro hacia el frente.
2. Inserte las patas traseras del estante de secado en las áreas empotradas de la pared trasera y presione el centro del estante de secado para calzarlo.
3. Coloque las prendas que desea secar sobre el estante. Asegúrese de dejar espacio entre las prendas para que fluya el aire.
4. Presione **Rack Dry (Secado en estante)** o seleccione otros ajustes de ciclo de acuerdo con las siguientes "Sugerencias para el secado en estante", luego, seleccione el tiempo de secado.
5. Cuando las prendas estén secas, retírelas de la secadora y, luego, retire el estante de secado.



## Sugerencias para el secado en estante

Elemento	Ajustes de los ciclos
Suéteres lavables (dóblelos de acuerdo con la forma del estante y colóquelos en posición horizontal sobre el estante)	TIME DRY (SECADO CON TEMPORIZADOR) con el ajuste de temperatura Low (Baja)
Muñecos de peluche (reellenos con fibras de algodón o poliéster)	
Muñecos de peluche (reellenos con goma espuma)	AIR FLUFF (TEMPERATURA AMBIENTE)
Almohadas de goma espuma	
Zapatillas	

### ADVERTENCIA

- Asegúrese de desempacar el estante de secado antes de usarlo. Si no lo hace, la secadora puede dañarse o reducirse su desempeño.
- Secar artículos de goma espuma, plástico o goma con la opción de calor puede ocasionar daños al artículo y crear un peligro de incendio.

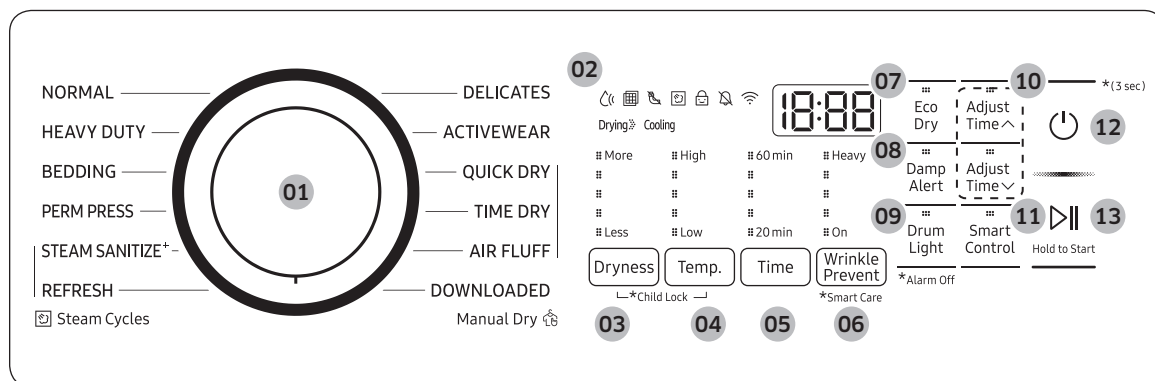
# Funcionamiento

## ⚠ ADVERTENCIA

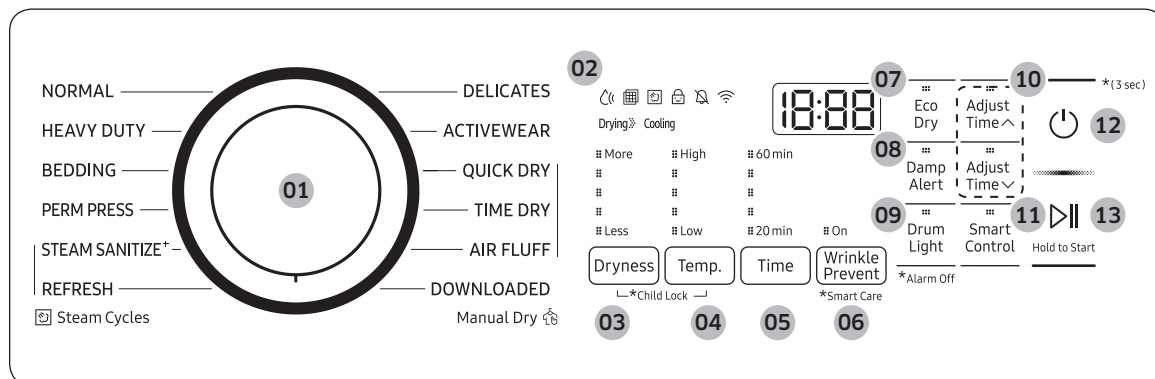
Para reducir el riesgo de incendio, descarga eléctrica o lesiones personales, lea "Información sobre seguridad" antes de poner en funcionamiento el electrodoméstico.

## Panel de control

DVE(G)55A7\*\*\*\*




DVE(G)52A5\*\*\*\*



<p><b>01</b> Selector de ciclos</p>	<p>Gire el Selector de Ciclos para seleccionar el ciclo deseado. Al seleccionar un ciclo, se enciende el indicador correspondiente.</p> <ul style="list-style-type: none"> <li>• <b>Steam Cycles (Ciclos de vapor):</b> La secadora rocía agua sobre el tambor para desodorizar la ropa y reducir la electricidad estática y las arrugas.</li> <li>• <b>Manual Dry (Secado manual):</b> El tiempo de secado se fija.</li> </ul>
<p><b>02</b> Pantalla gráfica digital</p>	<p>Muestra toda la información del ciclo, incluyendo el tiempo del ciclo, el código de información y el estado de funcionamiento de la secadora.</p>



<p><b>03 Dryness (Nivel de secado)</b></p>	<p>Presione para seleccionar el nivel de secado. Puede seleccionar entre 5 opciones diferentes (Menos a Más). Consulte las siguientes recomendaciones para seleccionar el nivel de secado adecuado.</p> <ul style="list-style-type: none"> <li>• Para cargas más grandes o voluminosas, seleccione Más para un nivel de secado completo.</li> <li>• Para prendas que deben secarse en posición horizontal o colgadas, utilice Menos para secarlas parcialmente.</li> </ul> <p> <b>NOTA</b></p> <p>Esta opción se encuentra disponible únicamente con <b>REFRESH (REFRESCAR)</b>, <b>STEAM SANITIZE (DESINFECCIÓN CON VAPOR)<sup>†</sup></b>, <b>ACTIVEWEAR (ROPA DEPORTIVA)</b>, <b>TIME DRY (SECADO CON TEMPORIZADOR)</b>, <b>QUICK DRY (SECADO RÁPIDO)</b> y <b>AIR FLUFF (TEMPERATURA AMBIENTE)</b>.</p>
<p><b>04 Temp. (Temperatura)</b></p>	<p>La temperatura solo se puede ajustar en el ciclo <b>TIME DRY (SECADO CON TEMPORIZADOR)</b>.</p> <p>Presione para cambiar la temperatura del ciclo actual. Puede seleccionar entre 5 opciones diferentes (Baja a Alta). Seleccione la temperatura adecuada dependiendo de las prendas de la carga.</p> <ul style="list-style-type: none"> <li>• <b>High (Alta):</b> Para los algodones resistentes o aquellos con el rótulo Secar en secadora.</li> <li>• <b>Medium (Media):</b> Para prendas de plancha permanente, telas sintéticas, algodones livianos u otras prendas con el rótulo Secar en secadora a temperatura media.</li> <li>• <b>Low (Baja):</b> Para prendas sensibles al calor con el rótulo Secar en secadora a temperatura baja o Secar en secadora a temperatura cálida. Ofrece la menor temperatura de secado con calor posible.</li> </ul>
<p><b>05 Time (Tiempo)</b></p>	<p>Presione para ajustar el tiempo de secado al usar ciclos de Manual Dry (Secado manual). No se encuentra disponible en los ciclos de secado con Secado con sensor porque la secadora determina el tiempo de secado al medir el nivel de humedad de la carga.</p>
<p><b>06 Wrinkle Prevent (Prevención de arrugas)</b></p>	<p>Prevención de arrugas ofrece aproximadamente 180 minutos de secado intermitente con aire fresco al final del ciclo para reducir la formación de arrugas. Presione <b>Wrinkle Prevent (Prevención de arrugas)</b> para activar dicha función. La carga está seca y puede ser retirada en cualquier momento durante el ciclo Prevención de arrugas.</p>



# Funcionamiento

<b>07 Eco Dry (Secado eco)</b>	<p>Esta función está disponible en los ciclos <b>NORMAL</b> (Solo para modelos DVE(G)55A7****) y <b>TIME DRY (SECADO CON TEMPORIZADOR)</b>.</p> <p>Con Secado eco activado, el secado requiere más tiempo pero el consumo de energía se reduce.</p> <p>El tiempo de secado puede prolongarse hasta 3 veces, dependiendo de la temperatura y la carga. La función Secado eco está activada de manera predeterminada.</p>
<b>08 Damp Alert (Prendas Secas)</b>	<p>Esta alerta está disponible para todos los ciclos de Secado con sensor con excepción de <b>ACTIVEWEAR (ROPA DEPORTIVA)</b>. Los niveles de secado disponibles son Normal, Más y Extra Seco.</p> <p>Si una carga contiene prendas mixtas, el indicador de Prendas Secas parpadea cuando el promedio de secado de las prendas de la carga es de 80 %. Esto le permite retirar las prendas que no desea que se sequen completamente o que se secan rápidamente fuera de la secadora mientras deja que otras prendas sigan secándose.</p>
<b>09 Drum Light (Luz Interior)</b>	<p>Presione para encender o apagar la luz interior. La luz permanece encendida durante 2 minutos después de que se enciende, independientemente de si está encendida o apagada o de si la puerta está abierta o cerrada, y luego se apaga automáticamente.</p>
<b>10 Adjust Time (Ajustar tiempo)</b>	<p>Puede cambiar el tiempo de los ciclos de Manual Dry (Secado manual). (<b>QUICK DRY (SECADO RÁPIDO)</b>, <b>TIME DRY (SECADO CON TEMPORIZADOR)</b>, y <b>AIR FLUFF (TEMPERATURA AMBIENTE)</b>) Para cambiar la duración del ciclo, presione <math>\wedge</math> o <math>\vee</math> hasta que aparezca el tiempo deseado.</p>
<b>11 Smart Control</b>	<p>Después de conectar la Secadora a la red doméstica mediante la aplicación SmartThings, puede controlar o supervisar la secadora de forma remota. Cuando se activa, el indicador de Smart Control (Smart Monitor) parpadea. La secadora entra en modo de espera para los comandos remotos.</p>
<b>12 Encender/Apagar</b>	<p>Presione para encender y apagar la secadora.</p>
<b>13 Inicio/Pausa (Hold to Start (Mantenga presionado para iniciar))</b>	<p>Presione para iniciar o detener una operación.</p>









## **NOTA**

No tome prendas extremadamente enredadas de su lavadora y las coloque en la secadora. Pueden disminuir la eficacia de la secadora o hacer que se abra la puerta. Recomendamos desenredar las prendas antes de colocarlas en la secadora. Tampoco coloque objetos sobre la secadora, en especial sobre el panel de control.

## PRECAUCIÓN

No rocíe agua directamente sobre el panel de control. Puede producirse una falla de sistema.

### Descripción de íconos

	Secado con sensor	Este ícono aparece cuando la secadora ejecuta el ciclo que detecta la humedad interna para determinar el tiempo de secado.
	Control del filtro	Este ícono aparece luego de cada carga para recordar que se debe limpiar el filtro para pelusas. Limpie el filtro para pelusas antes de cada ciclo y asegúrese de que el filtro esté bien colocado antes de iniciar un ciclo.
	Sensor de ventilación (Solo para modelos DVE(G)55A7****)	La secadora está equipada con un sensor de ventilación que detecta y le informa cuándo es momento de limpiar los conductos. El indicador  le informa del estado del conducto.
	Vapor	Este ícono aparece cuando la secadora está ejecutando el proceso de vaporización. La secadora rocía agua sobre el tambor para desodorizar la ropa y reducir la electricidad estática y las arrugas.
	Seguro para niños	Este ícono indica que la función Seguro para niños está activada. Para obtener más información sobre la función Seguro para niños, consulte la página 53.
	Alarma apagada	Este ícono indica que la alarma está apagada. Para obtener más información sobre la función Alarma apagada, consulte la página 53.
	Wi-Fi	Este ícono indica que la secadora está conectada a una Wi-Fi.

# Funcionamiento

---

## Sencillos pasos para comenzar

---

1. Presione **Encender/Apagar** para poner en funcionamiento la secadora.
2. Gire el **selector de ciclos** para seleccionar el ciclo deseado.
3. Cambie las configuraciones de ciclo (**Dryness (Nivel de secado)**, **Temp. (Temperatura)** y **Time (Tiempo)**) según sea necesario.
4. Seleccione las opciones deseadas según sea necesario.
5. Mantenga presionado **Inicio/Pausa (Hold to Start (Mantenga presionado para iniciar))**.

## Para cambiar el ciclo durante el funcionamiento

1. Presione **Inicio/Pausa (Hold to Start (Mantenga presionado para iniciar))** para detener el funcionamiento.
2. Seleccione un ciclo diferente y repita los pasos 2 y 4 de arriba si es necesario.
3. Mantenga presionado **Inicio/Pausa (Hold to Start (Mantenga presionado para iniciar))** nuevamente para iniciar el nuevo ciclo.

## Descripción del ciclo

### Ciclos normales

Ciclo	Descripción
NORMAL	Para la mayoría de las telas, incluido algodón y lino. Si está seleccionado NORMAL, la función Secado eco está activada de manera predeterminada. Para obtener más información, consulte Secado eco en la sección "Panel de control".
HEAVY DUTY (CARGA PESADA)	Para secar prendas de tela resistente, tales como los jeans, la pana y la ropa de trabajo con calor a alta temperatura.
BEDDING (ROPA DE CAMA)	Para prendas voluminosas, como cobijas, sábanas y edredones.
PERM PRESS (PLANCHA PERMANENTE)	Para secar automáticamente prendas de algodón sin arrugas, también telas sintéticas, tejidos y telas antiarrugas.
DELICATES (DELICADOS)	Para secar prendas sensibles al calor a baja temperatura de secado.
ACTIVWEAR (ROPA DEPORTIVA)	Para prendas para hacer ejercicio y actividades al aire libre tales como jerseys de deporte, pantalones deportivos, chaquetas impermeables u otras prendas de entrenamiento. Es posible que las telas gruesas como los cierres relámpago o de velcro de una chaqueta o las medias de entrenamiento no queden totalmente secas.
DOWNLOADED (DESCARGADO)	<ul style="list-style-type: none"><li>• Seleccione para elegir más ciclos disponibles en la aplicación SmartThings desde su teléfono inteligente.</li><li>• Ciclos disponibles: ECO NORMAL (NORMAL ECO), SHIRTS (CAMISAS), DENIM (JEANS), TOWELS (TOALLAS), RACK DRY (ESTANTE DE SECADO), WRINKLE AWAY (ANTIARRUGAS)</li><li>• Configuración de fábrica: WRINKLE AWAY (ANTIARRUGAS)</li></ul>

# Funcionamiento

## Secado manual

Puede cambiar los ajustes de secado en forma manual según su preferencia.

QUICK DRY (SECADO RÁPIDO)	Un ciclo de secado rápido que dura 30 minutos. El tiempo predeterminado del ciclo es de 30 minutos. No obstante, puede modificar el tiempo del ciclo manualmente de ser necesario.
TIME DRY (SECADO CON TEMPORIZADOR)	Permite seleccionar el tiempo del ciclo en minutos. Si SECADO CON TEMPORIZADOR está seleccionado, la función Secado eco está activada de manera predeterminada. Para obtener más información, consulte Secado eco en la sección "Panel de control".
AIR FLUFF (TEMPERATURA AMBIENTE)	Seca la carga con aire a temperatura ambiente.

## Ciclos de vapor

Usa vapor para reducir las arrugas y los olores de las prendas.

Ciclo	Descripción
STEAM SANITIZE (DESINFECCIÓN CON VAPOR) <sup>+</sup>	Úselo para desinfectar prendas mediante la aplicación de vapor y calor a alta temperatura a las telas. Este ciclo puede suavizar las prendas y reducir los olores. Verifique que la carga de ropa esté mojada o parcialmente mojada antes de iniciar este ciclo.
REFRESH (REFRESCAR)	Úselo para alisar arrugas y reducir olores en cargas de una a cuatro prendas. Cuando se selecciona este ciclo, se rocía una pequeña cantidad de agua en el tambor de la secadora después de varios minutos de secado con calor. Verifique que la carga de ropa esté seca.



## Tabla de ciclos

### NOTA

Para obtener los mejores resultados, siga las recomendaciones sobre el tamaño de la carga para cada ciclo de secado.

- Carga grande: Llene aproximadamente 3/4 del tambor. No agregue prendas por encima de este nivel para que puedan dar vueltas con libertad.
- ◐ Carga media : Llene aproximadamente 1/2 del tambor.
- Carga pequeña : Coloque de 3 a 5 prendas y no llene más de 1/4 del tambor.

Ciclo	Prendas recomendadas	Tamaño de la carga	Nivel de secado
NORMAL	Algodón, ropa de trabajo, ropa de cama y de mesa, cargas mixtas	●	Secado normal (Ajustable)
HEAVY DUTY (CARGA PESADA)	Telas resistentes, tales como jeans, pana y ropa de trabajo pesado	●	Secado normal (Ajustable)
BEDDING (ROPA DE CAMA)	Prendas voluminosas, tales como cobijas, sábanas, edredones y almohadas	●	Secado normal (Ajustable)
DELICATES (DELICADOS)	Ropa interior, blusas, lencería	◐	Secado normal (Ajustable)
PERM PRESS (PLANCHA PERMANENTE)	Camisas, telas sintéticas, tejidos, prendas de algodón sin arrugas y telas con planchado	◐	Secado normal (Ajustable)
ACTIVEWEAR (ROPA DEPORTIVA)	Prendas impermeables, prendas de entrenamiento, ropa deportiva (Máximo: 4 lbs)	◐	Secado normal (No ajustable)
QUICK DRY (SECADO RÁPIDO)	Cargas pequeñas	○	-
TIME DRY (SECADO CON TEMPORIZADOR)	Cualquier carga	●	-
AIR FLUFF (TEMPERATURA AMBIENTE)	Goma espuma, plástico	◐	-
STEAM SANITIZE (DESINFECCIÓN CON VAPOR) <sup>+</sup>	Ropa de cama, cortinas, prendas para niños	◐	Muy seco (No ajustable)
REFRESH (REFRESCAR)	Camisas, pantalones, edredones, almohadas	○	-

# Funcionamiento

## NOTA

● : configurado de fábrica, ○ : se puede seleccionar

Ciclo	Funciones (Control de temperatura)					Time (Tiempo)
	High (Alta)	⋮	⋮	⋮	Low (Baja)	
NORMAL		●				
HEAVY DUTY (CARGA PESADA)	●					
BEDDING (ROPA DE CAMA)	●					
DELICATES (DELICADOS)					●	
PERM PRESS (PLANCHA PERMANENTE)			●			
ACTIVEWEAR (ROPA DEPORTIVA)		●				
QUICK DRY (SECADO RÁPIDO)	●					○
TIME DRY (SECADO CON TEMPORIZADOR)	●	○	○	○	○	○
AIR FLUFF (TEMPERATURA AMBIENTE)						○
STEAM SANITIZE (DESINFECCIÓN CON VAPOR) <sup>+</sup>	●					
REFRESH (REFRESCAR)	●					

## Modelos DVE(G)55A7\*\*\*\*

Ciclo	Opciones			
	Adjust Time (Ajustar tiempo)	Damp Alert (Prendas Secas)	Eco Dry (Secado eco)	Wrinkle Prevent (Prevención de arrugas)
NORMAL		<input type="radio"/>	<input checked="" type="radio"/>	<input type="radio"/>
HEAVY DUTY (CARGA PESADA)		<input type="radio"/>		<input type="radio"/>
BEDDING (ROPA DE CAMA)		<input type="radio"/>		<input type="radio"/>
DELICATES (DELICADOS)		<input type="radio"/>		<input type="radio"/>
PERM PRESS (PLANCHA PERMANENTE)		<input type="radio"/>		<input type="radio"/>
ACTIVEWEAR (ROPA DEPORTIVA)				<input type="radio"/>
QUICK DRY (SECADO RÁPIDO)	<input type="radio"/>			<input type="radio"/>
TIME DRY (SECADO CON TEMPORIZADOR)	<input type="radio"/>		<input checked="" type="radio"/>	<input type="radio"/>
AIR FLUFF (TEMPERATURA AMBIENTE)	<input type="radio"/>			<input type="radio"/>
STEAM SANITIZE (DESINFECCIÓN CON VAPOR) <sup>+</sup>				<input type="radio"/>
REFRESH (REFRESCAR)				<input type="radio"/>

## Modelos DVE(G)52A5\*\*\*\*

Ciclo	Opciones			
	Adjust Time (Ajustar tiempo)	Damp Alert (Prendas Secas)	Eco Dry (Secado eco)	Wrinkle Prevent (Prevención de arrugas)
NORMAL		<input type="radio"/>		<input type="radio"/>
HEAVY DUTY (CARGA PESADA)		<input type="radio"/>		<input type="radio"/>
BEDDING (ROPA DE CAMA)		<input type="radio"/>		<input type="radio"/>
DELICATES (DELICADOS)		<input type="radio"/>		<input type="radio"/>
PERM PRESS (PLANCHA PERMANENTE)		<input type="radio"/>		<input type="radio"/>
ACTIVEWEAR (ROPA DEPORTIVA)				<input type="radio"/>
QUICK DRY (SECADO RÁPIDO)	<input type="radio"/>			<input type="radio"/>
TIME DRY (SECADO CON TEMPORIZADOR)	<input type="radio"/>		<input checked="" type="radio"/>	<input type="radio"/>
AIR FLUFF (TEMPERATURA AMBIENTE)	<input type="radio"/>			<input type="radio"/>
STEAM SANITIZE (DESINFECCIÓN CON VAPOR) <sup>+</sup>				<input type="radio"/>
REFRESH (REFRESCAR)				<input type="radio"/>

# Funcionamiento

## Guía de ciclos

La mejor manera de secar las prendas es seguir las instrucciones de la etiqueta. Si no se brindan instrucciones de secado, consulte la siguiente tabla a modo de referencia.

Ciclo	Descripción
Cubrecamas y edredones	Siga las instrucciones de la etiqueta o seque en el ciclo BEDDING (ROPA DE CAMA). <ul style="list-style-type: none"><li>Asegúrese de que la prenda esté completamente seca antes de usarla o guardarla.</li><li>Tal vez deba volver a colocarla en el tambor para garantizar un secado uniforme.</li></ul>
Cobijas	Utilice NORMAL y seque de a una sola cobija por vez para lograr un mejor funcionamiento de la secadora. <ul style="list-style-type: none"><li>Asegúrese de que las cobijas estén completamente secas antes de usarlas o guardarlas.</li></ul>
Cortinas y paños de tela	Utilice PERM PRESS (PLANCHA PERMANENTE) y la temperatura Media para minimizar la formación de arrugas. <ul style="list-style-type: none"><li>Seque cortinas y paños de tela en tandas pequeñas para obtener mejores resultados y retírelos lo antes posible.</li></ul>
Pañales de tela	Utilice NORMAL y la temperatura Media para pañales suaves y mullidos.
Prendas con relleno de plumas (chaquetas, bolsas de dormir, edredones, etc.)	Utilice NORMAL y la opción de temperatura Media. <ul style="list-style-type: none"><li>Agregue un par de toallas secas para absorber la humedad y acortar el tiempo de secado.</li></ul>
Goma espuma (reverso de alfombras, muñecos de peluche, hombreras, etc.)	No seque con el ciclo de secado con calor. <b>⚠️ ADVERTENCIA</b> Secar un artículo de goma con calor puede dañarlo o causar un incendio.
Almohadas	Utilice NORMAL. <ul style="list-style-type: none"><li>Agregue un par de toallas secas y un par de zapatillas limpias para mejorar el funcionamiento de la secadora y para que las prendas queden más esponjosas.</li><li>No seque almohadas de capoc o de goma espuma utilizando un ciclo de secado con calor.</li></ul>
Plásticos (cortinas de baño, cubiertas de muebles para exteriores, etc.)	Utilice TIME DRY (SECADO CON TEMPORIZADOR) o el ajuste de temperatura Baja o Extra Baja de acuerdo con las instrucciones de la etiqueta.

## ADVERTENCIA

No seque:

- Artículos de fibra de vidrio (cortinas, paños de tela, etc.)
- Lanas, salvo que se recomiende en la etiqueta
- Artículos manchados o embebidos en aceite vegetal o de cocina

## Funciones especiales

### Seguro para niños

La función Seguro para niños evita que los niños jueguen con la secadora. Cuando el Seguro para niños está activado, todos los botones excepto **Encender/Apagar** se desactivan.

Para activar/desactivar el Seguro para niños, mantenga presionados simultáneamente **Dryness (Nivel de secado)** y **Temp. (Temperatura)** durante 3 segundos.

### NOTA

Una vez activado el Seguro para niños permanecerá activo incluso después que encienda la secadora nuevamente. Si otros botones, salvo el botón **Encender/Apagar**, no responden, verifique el indicador de Seguro para niños. Si el indicador está encendido, siga las instrucciones precedentes para desactivar el Seguro para niños.

### Alarma apagada

Puede encender o apagar la alarma. Cuando la alarma está apagada, la melodía de finalización de ciclo y el pitido de apagado no suenan. Sin embargo, los demás sonidos permanecen activos.

- Presione y mantenga presionada la tecla **Drum Light (Luz Interior)** durante 3 segundos para encender y apagar la alarma.
- La configuración se conservará incluso una vez que apague la secadora. Puede encender la alarma nuevamente manteniendo presionado el mismo botón durante 3 segundos.

# Funcionamiento

---

## Smart Care

Para activar esta función, primero se debe descargar la aplicación SmartThings en Play Store o en App Store e instalarla en un dispositivo móvil con la función de cámara. La función Smart Care se ha optimizado para las series Galaxy e iPhone (únicamente para los modelos aplicables).

1. Cuando la secadora detecta un problema que requiere revisión, aparece un código de información en el display. Para seleccionar el modo Smart Care, mantenga presionado **Wrinkle Prevent (Prevención de arrugas)** durante 3 segundos.
2. La secadora inicia el proceso de autodiagnóstico y muestra un código de información en caso de que detecte algún problema.
3. Ejecute la aplicación SmartThings en su dispositivo móvil y, luego, toque **Smart Care**.
4. Coloque el dispositivo móvil cerca de la pantalla de la secadora de manera que la cámara del teléfono inteligente quede frente a la secadora. La aplicación reconoce el código de información automáticamente.
5. Cuando el código de información se reconoce correctamente, la aplicación proporciona información detallada sobre el problema y las soluciones aplicables.

### **NOTA**

- El nombre de la función, Smart Care, puede variar según el idioma.
- Si se refleja una luz en la pantalla de la secadora, es posible que la aplicación no reconozca el código de información.
- Si la aplicación no reconoce el código de información, puede ingresarlo manualmente en la aplicación.

# Mantenimiento

Mantenga la secadora limpia para lograr un mejor rendimiento y prolongar su vida útil.

## **ADVERTENCIA**

Algunas piezas internas no están conectadas a tierra intencionalmente y pueden presentar riesgo de descarga eléctrica únicamente durante el servicio técnico. Personal del servicio técnico: No toque las siguientes piezas mientras el electrodoméstico está recibiendo electricidad: Panel de control y válvula de entrada.

## Limpieza

### Panel de control

- Limpie con un paño suave y húmedo. No utilice sustancias abrasivas.
- No rocíe productos de limpieza líquidos directamente en la pantalla de la secadora.
- Algunos productos removedores de suciedad y manchas de tratamiento previo pueden dañar el panel de control.
- Al usar productos de limpieza líquidos, aplíquelos a la ropa. No los aplique directamente en la secadora. Limpie el líquido derramado o rociado inmediatamente.

### Tambor

- Elimina las manchas del tambor con un limpiador multiuso.
- Seque toallas o trapos para eliminar restos de manchas o productos de limpieza. Las manchas serán visibles, pero no afectarán las cargas posteriores.

### Tambor acabado con pintura en polvo

Para limpiar el tambor acabado con pintura en polvo, use un paño humedecido con un limpiador suave, no abrasivo, adecuado para superficies que se deterioran fácilmente.

Elimine los residuos del limpiador y seque con un paño limpio.

### Exterior de la secadora

- Limpie con un paño suave y húmedo. No utilice sustancias abrasivas.
- Proteja la superficie de objetos afilados.
- No coloque objetos pesados ni afilados ni tampoco un envase de detergente sobre la secadora. Pueden rayar o dañar la cubierta superior de la secadora.
- La secadora tiene un acabado brillante en toda su superficie. Tenga cuidado de no rayar ni dañar la superficie.

### Sistema de drenaje

- Controle y limpie el sistema de drenaje regularmente para mantener un desempeño óptimo.
- La tapa de drenaje externa debe limpiarse con frecuencia para garantizar un flujo de aire adecuado.

# Solución de problemas

## Verificaciones

Si la secadora funciona en forma anormal, primero consulte la lista de problemas en la tabla siguiente y pruebe las sugerencias.

Problema	Acción
No funciona.	<ul style="list-style-type: none"><li>• Asegúrese de que la puerta esté cerrada.</li><li>• Asegúrese de que el cable de alimentación esté conectado a un tomacorriente que funcione.</li><li>• Controle los disyuntores o fusibles de su casa.</li><li>• Presione o toque <b>Inicio/Pausa (Hold to Start (Mantenga presionado para iniciar))</b> nuevamente si la puerta se abrió durante un ciclo.</li><li>• Limpie el filtro para pelusas.</li></ul>
No calienta.	<ul style="list-style-type: none"><li>• Controle los disyuntores o fusibles de su casa.</li><li>• Algunos ciclos no requieren calor. Verifique nuevamente el ciclo seleccionado.</li><li>• En una secadora a gas, asegúrese de que el suministro de gas esté abierto.</li><li>• Limpie el filtro para pelusas y el conducto de drenaje.</li><li>• La secadora puede haberse desplazado a la fase de enfriamiento del ciclo.</li><li>• Encienda la opción Secado eco para los ciclos <b>NORMAL</b> o <b>TIME DRY (SECADO CON TEMPORIZADOR)</b> . Cuando se activa la opción Secado eco, la secadora realiza un proceso de secado con aire al inicio del ciclo para reducir el consumo de energía. El proceso de secado por aire no utiliza aire caliente, por lo que puede sentir que la secadora no se calienta, pero es normal.</li></ul>



Problema	Acción
No seca.	<ul style="list-style-type: none"> <li>• Verifique todos los ítem anteriores y, además...</li> <li>• Asegúrese de que la tapa de drenaje hacia el exterior de su casa se pueda abrir y cerrar sin inconvenientes.</li> <li>• Verifique que el sistema de drenaje no presente obstrucciones. Los conductos deben inspeccionarse y limpiarse todos los años.</li> <li>• Utilice un conducto de drenaje de metal rígido, de 4".</li> <li>• No la sobrecargue. 1 carga de lavado = 1 carga de secado.</li> <li>• Seque los artículos pesados y los livianos por separado.</li> <li>• Es posible que sea necesario volver a colocar los artículos grandes y voluminosos, como las cobijas o los edredones, para garantizar un secado uniforme.</li> <li>• Asegúrese de que la lavadora esté drenando en forma correcta y extrayendo el agua de la carga adecuadamente.</li> <li>• Es posible que la carga sea demasiado pequeña como para secarse correctamente. Agregue algunas toallas y reinicie la secadora.</li> <li>• Es posible que la carga sea demasiado grande como para secarse correctamente. Retire algunas prendas y vuelva poner en funcionamiento la secadora.</li> <li>• Limpie el filtro para pelusas.</li> </ul>
Hace ruido.	<ul style="list-style-type: none"> <li>• Verifique si en la carga hay objetos tales como monedas, botones flojos, clavos, etc. Retírelos de inmediato.</li> <li>• Es normal escuchar el ruido de la válvula de gas de la secadora o que el ciclo del dispositivo de calor se enciende o se apaga durante el ciclo de secado.</li> <li>• Asegúrese de que la secadora esté correctamente nivelada tal como se describe en las instrucciones de instalación.</li> <li>• Es normal que la secadora emita un zumbido debido a la alta velocidad del aire que se mueve por el tambor de la secadora, el ventilador y el sistema de drenaje.</li> </ul>

# Solución de problemas

Problema	Acción
No seca de manera uniforme.	<ul style="list-style-type: none"> <li>Es posible que las costuras, los bolsillos y otras áreas resistentes similares no se sequen por completo cuando el resto de la carga ha llegado al nivel de secado seleccionado. Esto es normal. Puede elegir un nivel de secado más alto o un ciclo que incluya un nivel de secado más alto.</li> <li>Si se seca un artículo pesado con una carga liviana, por ejemplo una toalla con sábanas, es posible que el artículo pesado no esté completamente seco cuando el resto de la carga alcance el nivel de secado seleccionado.</li> <li>Para obtener mejores resultados, seque los artículos pesados y los livianos por separado.</li> </ul>
Tiene olor.	<ul style="list-style-type: none"> <li>Los olores del hogar, ya sea que provengan de la pintura, el barniz, los limpiadores potentes, etc., pueden ingresar en la secadora con el aire del ambiente. Esto es normal puesto que la secadora extrae el aire de la habitación, lo calienta y lo hace circular por el tambor y lo expulsa a través del drenaje hacia el exterior.</li> <li>Si estos olores permanecen en el aire, ventile bien la habitación antes de usar la secadora.</li> <li>Utilice el ciclo <b>REFRESH (REFRESCAR)</b>. Si los olores persisten, vuelva a lavar y secar los artículos.</li> </ul>
Pelusa en las prendas.	<ul style="list-style-type: none"> <li>Limpie el filtro para pelusas antes de cada carga. Para la ropa que naturalmente acumula pelusas, limpie el filtro durante el ciclo.</li> <li>Algunas telas producen pelusa (por ejemplo, una toalla de algodón blanco con mucho pelo) y deben secarse por separado de las prendas que atrapan pelusa (por ejemplo, un par de pantalones de lino negro).</li> <li>Divida las cargas grandes en cargas más pequeñas para el secado.</li> <li>Revise bien los bolsillos antes de secar las prendas, luego séquelas.</li> <li>Quite las pelusas de adentro del tambor antes del secado.</li> </ul>
Prendas arrugadas después del ciclo Wrinkle Prevent (Prevención de arrugas) (WRINKLE-CARE, WRINKLE RELEASE (ANTIARRUGAS)).	<ul style="list-style-type: none"> <li>Funciona mejor con cargas pequeñas de 1 a 4 prendas.</li> <li>Cargue menos prendas. Cargue prendas similares.</li> <li>Retire las prendas de inmediato una vez finalizado el secado.</li> </ul>
Gotea agua de la boquilla cuando comienza el proceso con vapor.	<ul style="list-style-type: none"> <li>Esto se debe a la condensación del vapor. El goteo de agua se detendrá en unos minutos.</li> </ul>

---

Problema	Acción
No se ve el agua rociada durante el proceso con vapor.	<ul style="list-style-type: none"><li>El agua rociada es difícil de ver cuando la puerta está cerrada.</li></ul>
Tiempo prolongado.	<ul style="list-style-type: none"><li>Secado con sensor detecta automáticamente la humedad de la carga y apaga la secadora cuando alcanza el nivel de secado seleccionado. El tiempo de secado puede variar de acuerdo con el tipo y la cantidad de prendas. Consulte la tabla de ciclos para obtener referencias.</li></ul>

Si el problema persiste, comuníquese con un centro de servicio local de Samsung.

# Solución de problemas

## Códigos de información

Si la secadora no funciona bien, puede ver un código de información en el panel de la pantalla. Para determinar qué debe hacer, consulte la lista de códigos en la tabla siguiente y pruebe las sugerencias.

Código	Acción
dC	La secadora funciona con la puerta abierta. <ul style="list-style-type: none"><li>• Asegúrese de que la puerta esté perfectamente cerrada.</li><li>• Asegúrese de que no quede ropa trabada en la puerta.</li></ul>
FC	Frecuencia de fuente de alimentación no válida. <ul style="list-style-type: none"><li>• Intente reiniciar el ciclo.</li><li>• Si este código de información permanece, comuníquese con un centro de servicio de Samsung.</li></ul>
AC	Problema con el control electrónico (Comunicación no válida). <ul style="list-style-type: none"><li>• Comuníquese con un centro de servicio de Samsung.</li></ul>
HC	Verificación de temperatura alta <ul style="list-style-type: none"><li>• Limpie el filtro para pelusas.</li><li>• Si este código de información permanece, comuníquese con un centro de servicio de Samsung. (ingrese el modo prueba de línea)</li></ul>
9C1	Se debe revisar el control electrónico. <ul style="list-style-type: none"><li>• Revise que el cable de alimentación esté conectado correctamente.</li><li>• Revise que el tomacorriente funciona correctamente.</li><li>• Si el código de información permanece, comuníquese con un centro de servicio de Samsung.</li></ul>
tC	La resistencia del termistor 1 es muy baja o muy alta. <ul style="list-style-type: none"><li>• Revise si el filtro para pelusas está obstruido</li><li>• Revise si el sistema de ventilación está restringido.</li><li>• Si este código de información permanece, comuníquese con un centro de servicio de Samsung.</li></ul>
tC5	La resistencia del termistor 2 es muy baja o muy alta. <ul style="list-style-type: none"><li>• Revise si el filtro para pelusas está obstruido.</li><li>• Revise si el sistema de ventilación está restringido.</li><li>• Si este código de información permanece, comuníquese con un centro de servicio de Samsung.</li></ul>
dF	Interruptor de la puerta incorrecto. <ul style="list-style-type: none"><li>• Comuníquese con un centro de servicio de Samsung.</li></ul>

---

Código	Acción
3C	Se debe revisar el PBA. <ul style="list-style-type: none"><li>Desenchufe el cable de alimentación y comuníquese con el centro de servicio de Samsung.</li></ul>





Si un código de información sigue apareciendo en la pantalla, comuníquese con un centro de servicio de Samsung.

# Especificaciones

## Tabla de indicaciones sobre telas

Los siguientes símbolos ofrecen indicaciones acerca de las prendas. La etiqueta de indicaciones de la prenda incluye símbolos para secado, blanqueado, secado y planchado, o limpieza en seco cuando son necesarios. El uso de símbolos garantiza la consistencia entre los fabricantes textiles de artículos nacionales e importados. Siga las indicaciones de la etiqueta para optimizar la vida útil de la prenda y reducir los problemas del lavado.

### Ciclo de lavado

	Normal
	Plancha permanente/Antiarrugas/ Control de arrugas
	Prendas suaves/delicadas
	Lavado a mano




### Temperatura del agua

...	Caliente
..	Tibia
.	Fría



### NOTA

La tabla de la temperatura del agua presenta las temperaturas del agua del lavado apropiadas para diversas prendas. El rango de temperatura es de 106-126 °F (41-52 °C) para Caliente, 84-106 °F (29-41 °C) para Tibia y 61-84 °F (16-29 °C) para Fría. (La temperatura del agua del lavado debe alcanzar un mínimo de 61 °F (16 °C) para que se active el detergente y se logre un lavado eficaz.)




### Blanqueador

	Cualquier blanqueador (cuando sea necesario)
	Solo blanqueador sin cloro (protección del color) (si es necesario)
	Secar en secadora

### Normal

	Plancha permanente/Antiarrugas/ Control de arrugas
	Prendas suaves/delicadas




### Instrucciones especiales

	Secar colgado/tender
	Colgar para que escurra
	Secar en posición horizontal







### Secado con calor

	Alta
	Media
	Baja
	Cualquier calor
	Sin calor/aire






### Temperaturas de secado con plancha o vapor

	Alta
	Media
	Baja

### Símbolos de advertencia para el lavado

	No lavar
	No retorcer
	No usar blanqueador
	No secar en secadora
	Sin vapor (agregado a la plancha)
	No planchar

### Limpiar en seco

	Limpiar en seco
	No limpiar en seco
	Secar colgado/tender
	Colgar para que escurra
	Secar en posición horizontal

### Protección del medio ambiente

Este electrodoméstico se fabrica con materiales reciclables. Si decide desechar este electrodoméstico, siga la normativa local relacionada con la eliminación de desechos. Corte el cable de alimentación para que el electrodoméstico no pueda conectarse a una fuente de alimentación. Retire la puerta para que los animales y los niños pequeños no puedan quedar atrapados dentro del electrodoméstico.

# Especificaciones

## Hoja de especificaciones

Tipo		Secadora de carga frontal
Capacidad (pies cúb.)		7.4
Presión de agua (psi (kPa))		20-116 (137-800)
Peso	lb (kg)	119.0 (54.0)
Potencia del calentador	Eléctrico (W)	5300
	A gas (BTU/h)	20000
Consumo de potencia (W)		5300



# Garantía limitada (Estados Unidos)

---

## SECADORA SAMSUNG

---

### **GARANTÍA LIMITADA AL COMPRADOR CONSUMIDOR ORIGINAL CON PRUEBA DE COMPRA**

El presente producto de la marca SAMSUNG, tal como lo provee y distribuye SAMSUNG ELECTRONICS AMERICA, INC. (SAMSUNG) y lo entrega como nuevo, en su caja de cartón original al comprador consumidor original, está garantizado por SAMSUNG contra defectos de fabricación de los materiales o la mano de obra durante el período limitado de la garantía, a partir de la fecha original de compra, de:

Un (1) año para todas las piezas y la mano de obra

La presente garantía limitada es válida únicamente para productos comprados y usados en Estados Unidos que fueron instalados, operados y mantenidos de acuerdo con las instrucciones adjuntas o provistas con el producto. Para recibir el servicio técnico en garantía, el comprador debe comunicarse con SAMSUNG en la dirección o el teléfono que figuran más abajo con el fin de que se determine el problema y los procedimientos del servicio. El servicio técnico de la garantía solo puede ser prestado por un centro de servicio técnico autorizado de SAMSUNG. Para recibir el servicio técnico en garantía debe presentarse la factura original de compra fechada cuando así lo solicite SAMSUNG o el Centro de Servicio autorizado Samsung como prueba de compra.

Samsung brindará servicio técnico a domicilio dentro del territorio contiguo de Estados Unidos durante el período de garantía sin cargo, sujeto a la disponibilidad de los centros de servicio autorizados por SAMSUNG dentro de la zona geográfica del cliente. Si el servicio técnico a domicilio no está disponible, SAMSUNG puede, a su elección, optar por transportar el producto hasta y desde un centro de servicio técnico autorizado. Si el producto está ubicado en una zona en la que no se encuentra disponible ningún centro de servicio autorizado por SAMSUNG, usted podrá ser responsable del cargo por transporte o se le podrá requerir que transporte el producto a un centro de servicio autorizado por SAMSUNG para recibir asistencia técnica.

Para recibir el servicio técnico a domicilio, el producto no debe presentar obstrucciones y debe ser accesible para el agente del servicio técnico.

Durante el periodo de garantía aplicable, el producto se reparará o se reemplazará, o se devolverá el importe de compra, a la entera discreción de SAMSUNG. SAMSUNG podrá usar piezas nuevas o reacondicionadas para la reparación del producto, o reemplazar el producto por un producto nuevo o reacondicionado. La vigencia de la garantía de las piezas y los productos reemplazados será por el período restante de la garantía original del producto o por un período de noventa (90) días, el que sea el más largo. Todas las piezas y los productos reemplazados son propiedad de SAMSUNG y deben ser devueltos a SAMSUNG.

## Garantía limitada (Estados Unidos)

---

La presente garantía limitada cubre defectos de fabricación de los materiales o la mano de obra que ocurran durante el uso normal y doméstico de este producto y no cubrirá lo siguiente: daños que ocurran durante el envío, entrega e instalación y usos para los cuales el presente producto no fue destinado; daños causados por modificación o alteración no autorizada del producto; producto cuyos números de serie originales de fábrica fueron eliminados, desfigurados, alterados en algún modo o que no se puedan determinar fácilmente; daños cosméticos incluyendo rayones, hendiduras, abolladuras y otros daños al acabado del producto; daño causado por abuso o mal uso, plagas, accidente, incendio, inundación u otros casos fortuitos o de fuerza mayor; daño causado por el uso de equipo, utilidades, servicios, piezas, suministros, accesorios, aplicaciones, instalaciones, reparaciones, cableado externo o conectores no provistos ni autorizados por SAMSUNG; daño causado por línea eléctrica o voltaje incorrecto, fluctuaciones y sobretensión; daño causado por no operar y mantener el producto de acuerdo con las instrucciones; instrucción a domicilio acerca de cómo usar el producto; y servicio técnico para corregir una instalación que no cumpla con los códigos eléctricos o de plomería o corrección de cableado eléctrico o tuberías (es decir, cableado doméstico, fusibles o mangueras de entrada de agua). El costo de reparación o reemplazo bajo estas circunstancias excluidas será responsabilidad del cliente.

Las visitas de un proveedor de servicio técnico autorizado para explicar funciones, mantenimiento o instalación del producto no se cubren bajo esta garantía limitada. Comuníquese con Samsung al número que figura abajo para obtener ayuda con cualquiera de estos problemas.

---

## **EXCLUSIÓN DE GARANTÍAS IMPLÍCITAS**

LAS GARANTÍAS IMPLÍCITAS, INCLUYENDO GARANTÍAS IMPLÍCITAS DE COMERCIABILIDAD O APTITUD PARA UN PROPÓSITO EN PARTICULAR, ESTÁN LIMITADAS A UN AÑO O AL PERIODO MÁS CORTO PERMITIDO POR LA LEY. Algunos estados no permiten limitaciones en cuanto al periodo de vigencia de una garantía implícita, de tal forma que las limitaciones o exclusiones mencionadas tal vez no se apliquen a usted en particular. Esta garantía le otorga derechos específicos, e incluso usted también puede tener otros derechos que varían de un estado a otro.

## **LIMITACIÓN DE RECURSOS**

EL ÚNICO Y EXCLUSIVO RECURSO ES LA REPARACIÓN DEL PRODUCTO, EL REEMPLAZO DEL PRODUCTO O LA DEVOLUCIÓN DEL IMPORTE DE COMPRA, A DISCRECIÓN DE SAMSUNG, CONFORME A ESTA GARANTÍA LIMITADA. SAMSUNG NO SERÁ RESPONSABLE POR DAÑOS ESPECIALES, IMPREVISTOS O DERIVADOS, INCLUYENDO ENTRE OTROS, TIEMPO FUERA DEL TRABAJO, HOTELES Y/O COMIDAS EN RESTAURANTES, GASTOS DE REMODELACIÓN, PÉRDIDAS DE INGRESOS O GANANCIAS, INCAPACIDAD DE GENERAR AHORROS U OTROS BENEFICIOS INDEPENDIEMENTE DE LA TEORÍA LEGAL EN LA QUE SE BASE EL RECLAMO, E INCLUSO SI SAMSUNG HA SIDO ADVERTIDA DE LA POSIBILIDAD DE DICHOS DAÑOS. Algunos estados no permiten la exclusión o la limitación de daños imprevistos o derivados, por lo que las limitaciones o exclusiones mencionadas tal vez no se apliquen a usted en particular. Esta garantía le otorga derechos específicos, e incluso usted también puede tener otros derechos que varían de un estado a otro.

SAMSUNG no garantiza el funcionamiento ininterrumpido o sin errores del producto. Ningún aval o garantía otorgados por otra persona, compañía o corporación con respecto al presente producto revestirá carácter vinculante para SAMSUNG.

Para obtener el servicio de garantía, comuníquese con SAMSUNG en:

**Samsung Electronics America, Inc.**

85 Challenger Road

Ridgefield Park, NJ 07660

1-800-SAMSUNG (726-7864)

[www.samsung.com/us/support](http://www.samsung.com/us/support)



Scan the QR code\* or visit  
[www.samsung.com/spsn](http://www.samsung.com/spsn)  
to view our helpful  
How-to Videos and Live Shows

\*Requires reader to be installed on your smartphone

Scan this with your smartphone



Energy Star corresponde únicamente al modelo DVE(G)55A7\*\*\*\*.

Este producto califica para ENERGY STAR en la configuración predeterminada de fábrica "Normal + Eco dry (Secado eco)".

Si cambia la configuración predeterminada de fábrica o habilita otras funciones, el consumo de energía podría aumentar y superar los límites de calificación para ENERGY STAR.

## ¿TIENE PREGUNTAS O COMENTARIOS?

PAÍS	LLAME AL	O VISÍTENOS EN LÍNEA EN
U.S.A	1-800-SAMSUNG (726-7864)	<a href="http://www.samsung.com/us/support">www.samsung.com/us/support</a>



DC68-037845-00