

ASSEMBLY INSTRUCTIONS
COASTER FINE FURNITURE



Fine Furniture for every stage of life

302143F
Full Bed

ITEM: **302143F**



ASSEMBLY INSTRUCTIONS

ASSEMBLY TIPS:

1. Remove hardware from box and sort by size.
2. Please check to see that all hardware and parts are present prior to start of assembly.
3. Please follow attached instructions in the same sequence as numbered to assure fast & easy assembly.



WARNING!








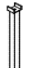







1. Don't attempt to repair or modify parts that are broken or defective. Please contact the store immediately.
2. This product is for home use only and not intended for commercial establishments.



ASSEMBLY TIME

30 MINUTES

PARTS IDENTIFICATION

A	BED RAIL WITH "A" LABEL		2PCS
B	BED RAIL WITH "B" LABEL		2PCS
C	BED RAIL SUPPORT LEG		2PCS
D	END CROSSBAR		2PCS
E	CENTER SUPPORT WITH LEGS		1PC
F	CENTER RAIL		1PC
G	BED SLAT		10PCS
H	END SUPPORT LEG WITH LEVELER		2PCS
I	CENTER RAIL SUPPORT WITH LEVELER		1PC
J	FOOTBOARD		1PC
K	HEADBOARD TOP PANEL		1PC
L	HEADBOARD SUPPORT		1PC
M	HEADBOARD PANEL		1PC
N	RIGHT HEADBOARD SIDE FRAME		1PC
O	LEFT HEADBOARD SIDE FRAME		1PC

ASSEMBLY INSTRUCTIONS

ASSEMBLY TIPS:


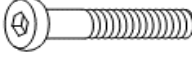

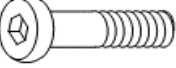
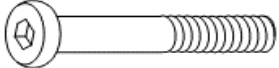


1. Remove hardware from box and sort by size.
2. Please check to see that all hardware and parts are present prior to start of assembly.
3. Please follow attached instructions in the same sequence as numbered to assure fast & easy assembly.



WARNING!

1. Don't attempt to repair or modify parts that are broken or defective. Please contact the store immediately.
2. This product is for home use only and not intended for commercial establishments.

HARDWARE IDENTIFICATION

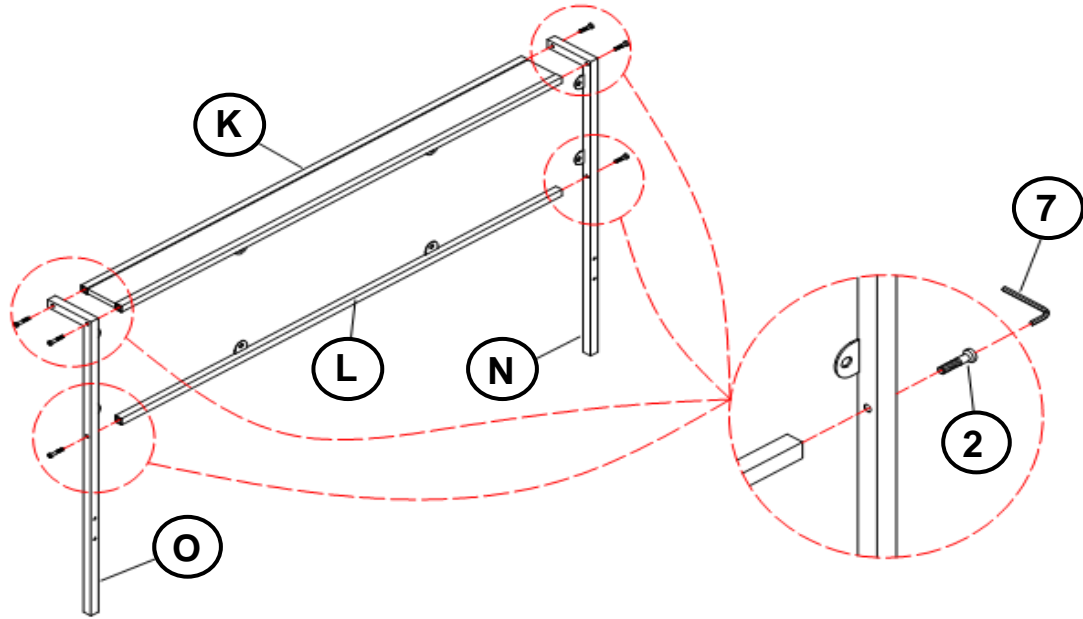
1	BOLT 1 (M6 x 5/8" - BLK)		20PCS
2	BOLT 2 (M6 x 1-3/4" - BLK)		6PCS
3	BOLT 3 (M8 x 1/2" - BLK)		8PCS
4	BOLT 4 (M8 x 3/4" - BLK)		14PCS
5	BOLT 5 (M8 x 2-1/4" - BLK)		7PCS
6	BIG ALLEN WRENCH (M8 x 64mm - BLK)		1PC
7	SMALL ALLEN WRENCH (M6 x 64mm - BLK)		1PC

ITEM: **302143F**

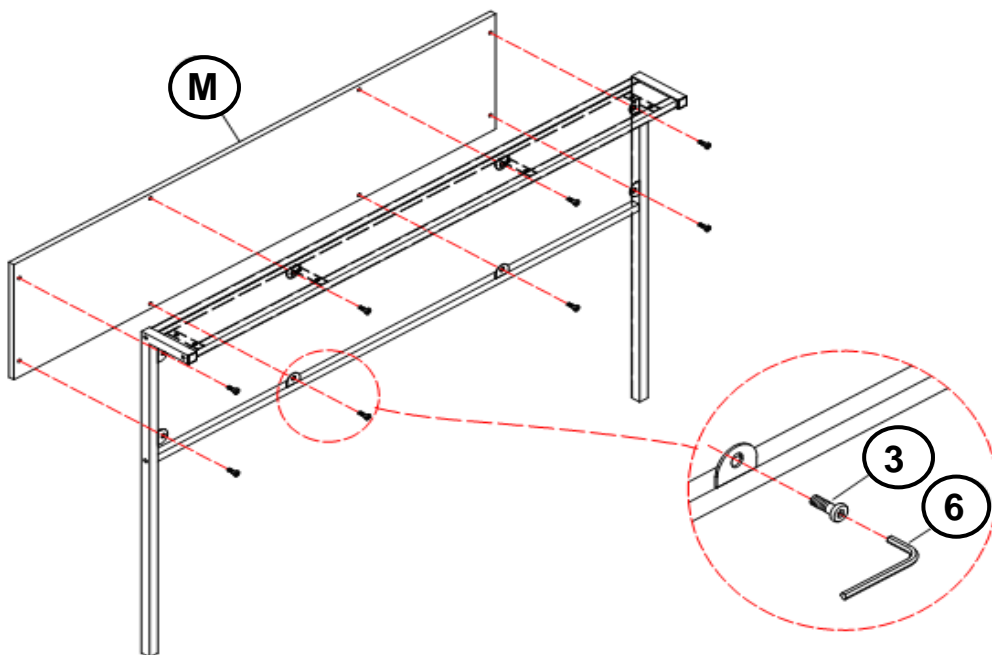
ASSEMBLY INSTRUCTIONS



STEP 1



STEP 2

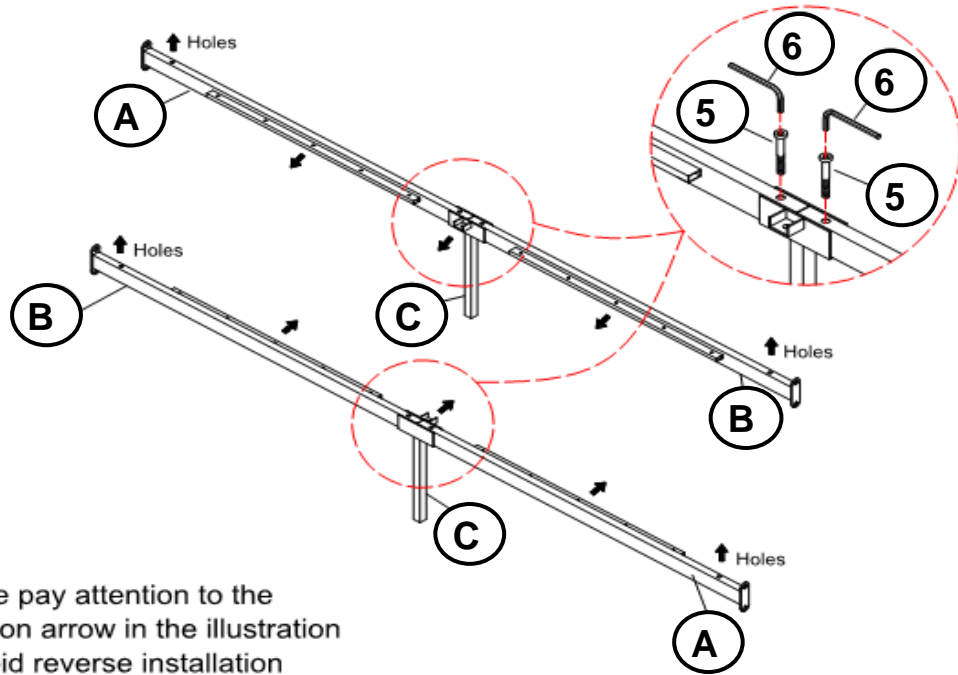


ITEM: **302143F**

ASSEMBLY INSTRUCTIONS

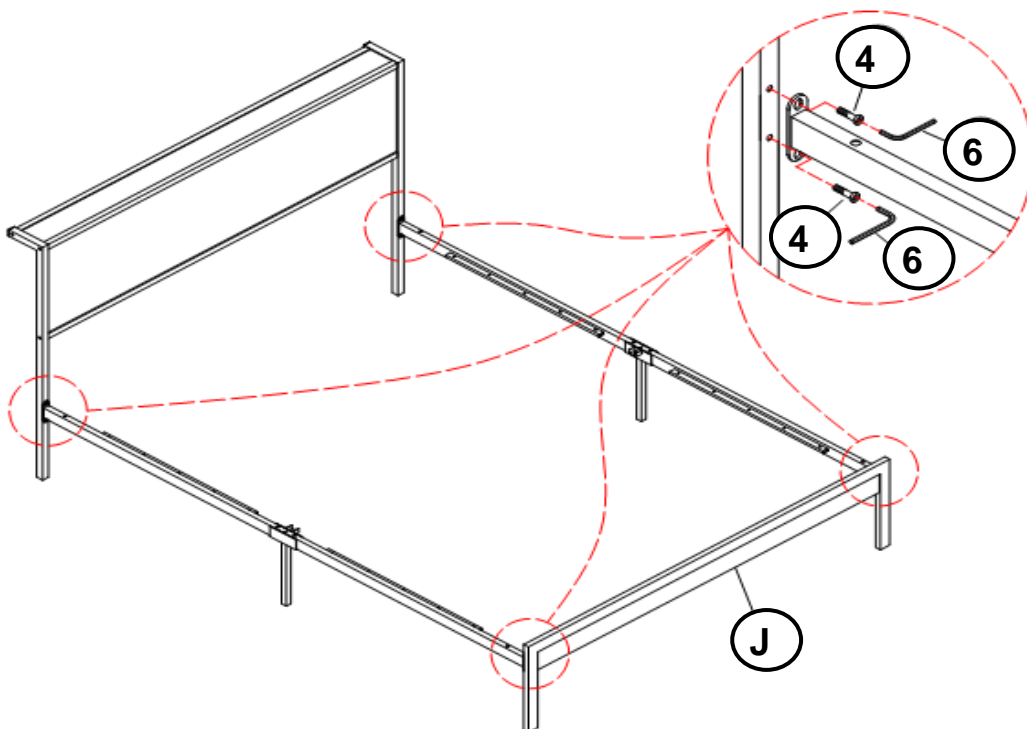


STEP 3



Please pay attention to the direction arrow in the illustration to avoid reverse installation

STEP 4

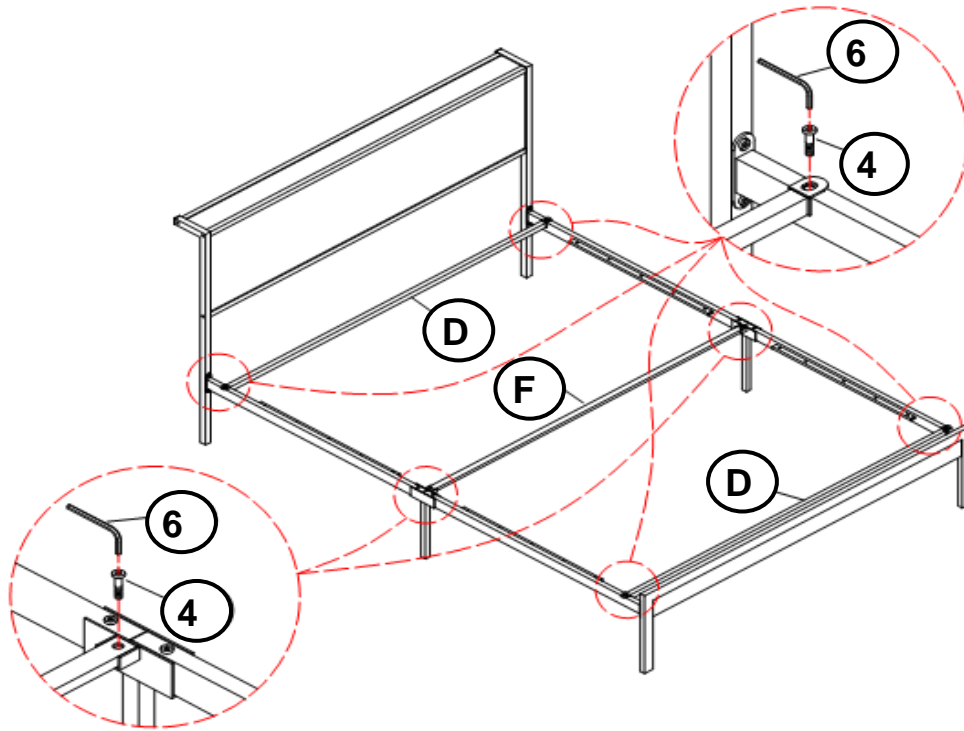


ITEM: **302143F**

ASSEMBLY INSTRUCTIONS

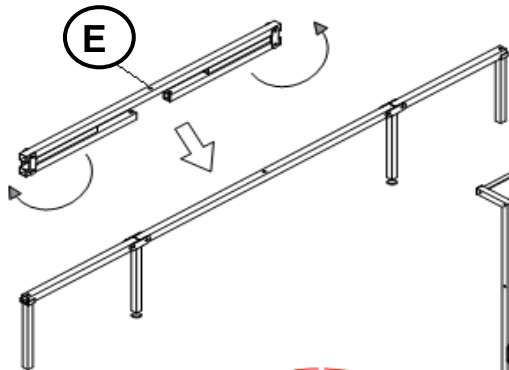


STEP 5

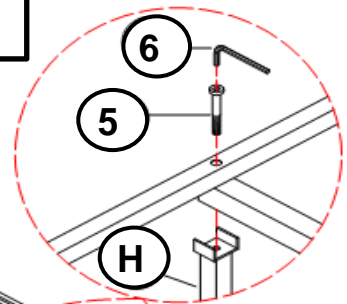


STEP 6

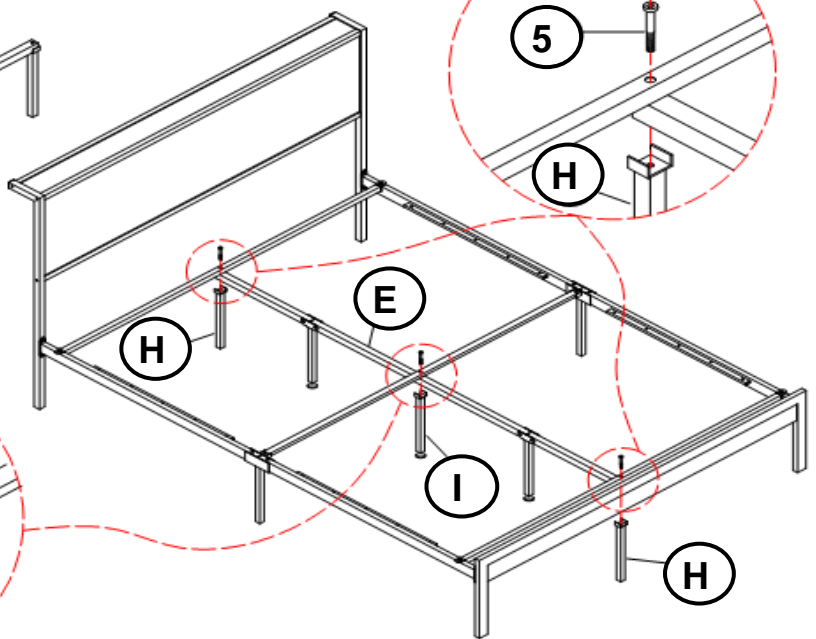
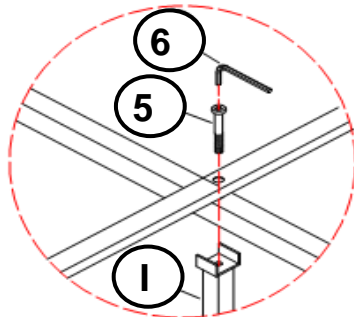
6.1



6.3



6.2

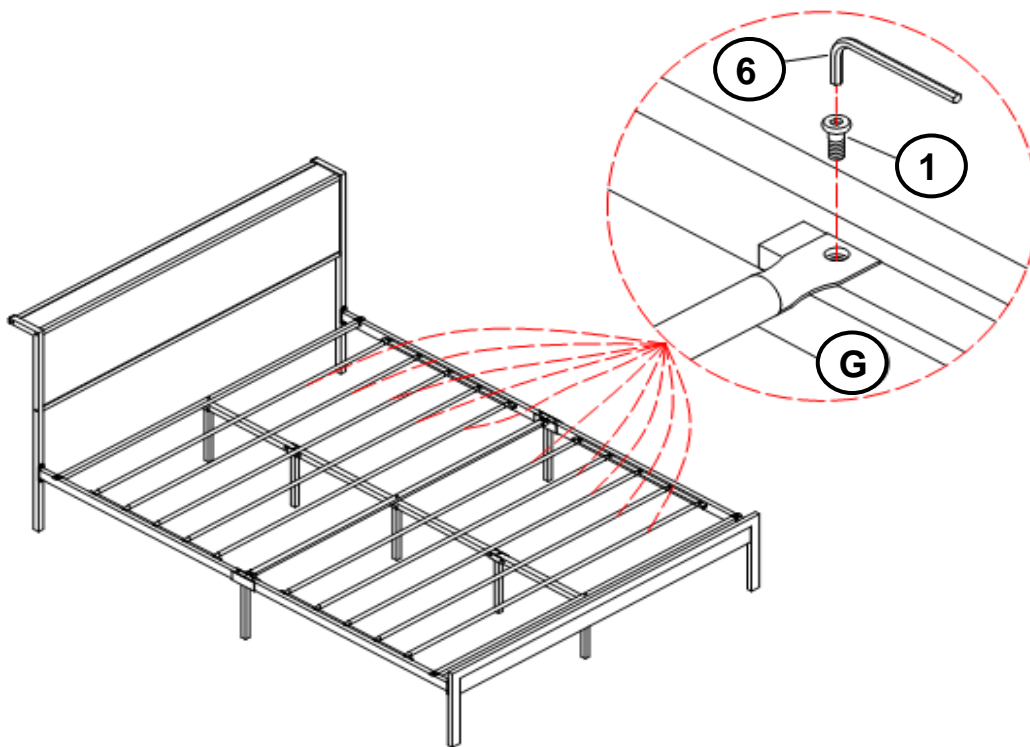


ITEM: **302143F**

ASSEMBLY INSTRUCTIONS

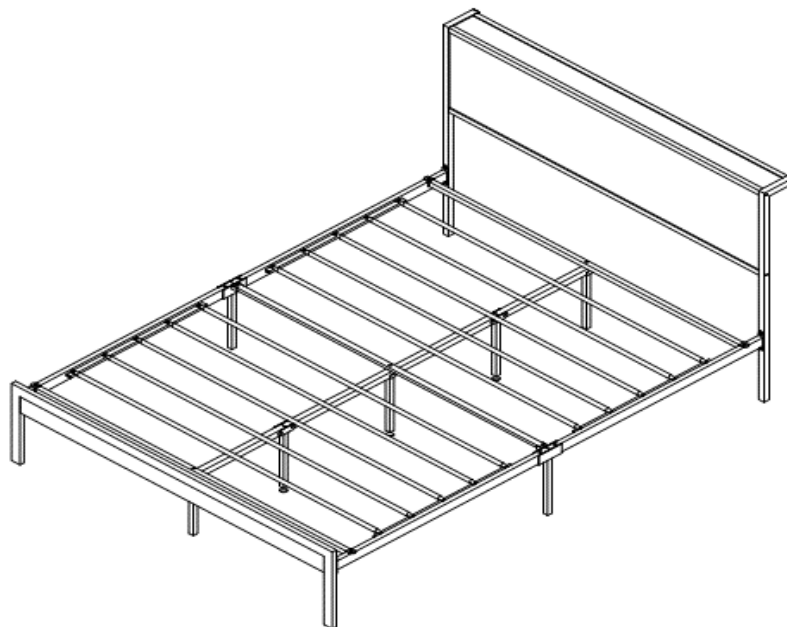


STEP 7



STEP 8

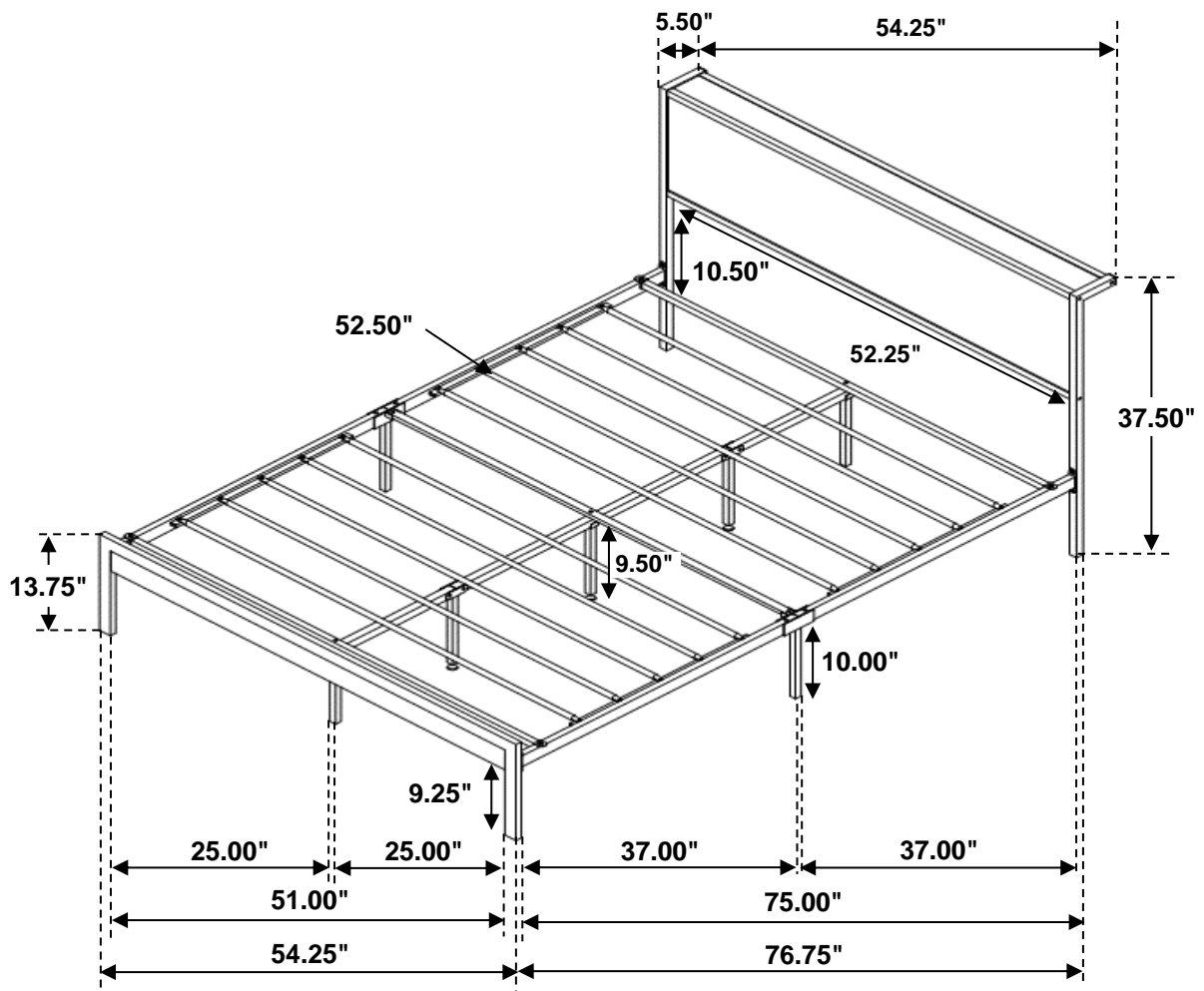
COMPLETE



ITEM: 302143F



Inner Size : 54.00"W x 75.00"D



Note : Dimension tolerance $\pm 5\%$