

# URETC1408N

## LG SIGNATURE Wine Cellar Counter Depth Refrigerator

LG SIGNATURE

KEY FEATURES

- Wine Refrigerator
- 65 Wine Bottle Capacity
- InstaView™
- Auto Open Door™
- Wine Temperature 41-64 °F
- Fully Convertible Drawers with Auto Lift
- Voice Activation
- Beechwood Shelves
- 28" Wide



PRODUCT FEATURES

CAPACITY	
Refrigerator (cu.ft.)	10.30
Freezer (cu.ft.)	5.00
Total (cu.ft.)	15.30
ENERGY	
Energy Consumption (kWh/Year)	210
COOLING	
Linear Compressor	Yes
Smart Cooling Plus™ System	Fresh Shield Cooling (Top Cooling)
Multi-Air Flow™ System	Yes
Temperature Sensors	7
Fresh Air Filter	Yes
Refrigerant	R600a - Low Global Warming Potential, Zero Ozone Depletion Potential and More Energy Efficient Refrigerant than R134a
CONVENIENCE	
Display Type	Hidden Display/White LED
Temperature Controls	Electronic/Digital
Door Alarm	Yes
Child Lock	Yes
Auto Closing Door Hinge	Yes
ADA Compliant	Yes
Sabbath Mode	Yes
REFRIGERATOR	
No. of Shelves	5 Sliding Wine Shelves
Cantilevered Shelves	Yes
Shelf Construction	Wood Type (Beechwood)
Refrigerator Light	LED (ceiling and shelves)
Auto Open Door™	Yes
LUMIShelf™	Yes
FREEZER	
Door Type	Drawer
Drawers	2 (Fully Convertible, Auto Lift)
Auto Open Drawer™ (Freezer)	Yes
Drawer Divider	Yes
Freezer Light	LED
Freezer Handle	Pocket Handle

Smart Features	
Wi-Fi Enabled	Yes
Voice Activation	Yes
ThinQ	Yes
Works with	Google Assistant, Amazon Alexa
SmartDiagnosis™	Yes
MATERIALS AND FINISHES	
Hidden Hinges	Yes
Surface	Brushed
Fingerprint & Smudge Resistant Exterior	Yes
Handles	Pocket Handle
All Available Colors	Textured Steel™
Insulation	Cyclopentane - Low Global Warming Potential, and Zero Ozone Depletion Potential Blowing Agent
DIMENSIONS/CLEARANCES/WEIGHTS	
Depth with Handles	28 15/16"
Depth without Handles	28 15/16"
Depth without Door	24 15/16"
Depth (Total with Door Open)	53 3/16"
Height to Top of Case	69 1/16"
Height to Top of Door Hinge	70 5/8"
Width	27 9/16"
Width (Door Open 90° with Handle)	70 5/8"
Width (Door Open 90° without Handle)	70 5/8"
Door Edge Clearance with Handle	2 1/3"
Door Edge Clearance without Handle	2 1/3"
Installation Clearance	Sides 2", Top 2", Back 2"
Weight (Unit/Carton)	386 lbs / 408 lbs
Carton Dimensions (WxHxD)	30" x 73" x 32"
LIMITED WARRANTY	
1 Year Parts & Labor, 5 Years on Sealed System (Parts & Labor), 5 Years on Compressor (Parts & Labor), 6-10 Years Linear Compressor (Parts Only)	
UPC CODES	
URETC1408N Textured Steel™	048231805926

# URETC1408N

## LG SIGNATURE Wine Cellar Counter Depth Refrigerator

### QUICK INSTALL & CLEARANCES

For full installation directions/clearances please refer to the corresponding User Manual and Installation Guide.

#### DIMENSIONS

A	Depth with handles	28 15/16"
	Depth without handles	28 15/16"
B	Depth without Door	24 15/16"
C	Depth (Total with Door Open 90°)	53 3/16"
D	Height to Top of Case	69 1/16"
E	Height to Top of Hinge	70 5/8"
F	Width	27 9/16"
G	Width (Door Open 90° with Handle)	70 5/8"
	Width (Door Open 90° without Handle)	70 5/8"
	Door Edge Clearance with Handle	2 1/3"
	Door Edge Clearance without Handle	2 1/3"
H	Installation Clearances	Sides 2", Top 2", Back 2"
I	Front Clearance	24"
	Carton Dimensions (in) (W x H x D)	30" x 73" x 32"

#### ENERGY

Energy Consumption (kWh/Year)	210
-------------------------------	-----

### CHOOSING THE PROPER LOCATION

#### ELECTRICITY

Use an individual, grounded outlet: 115 Volts, 60 Hz, AC, 15 Amps minimum.

#### ⚠ WARNING

- Do not overload house wiring and cause a fire hazard by plugging in multiple appliances in the same outlet with the refrigerator.
- To reduce the risk of electric shock, do not install the refrigerator in a wet or damp area.

#### FLOORING

To avoid noise and vibration, the unit must be installed and leveled on a solidly constructed floor. If required, adjust the leveling legs to compensate for the unevenness of the floor.

#### NOTE

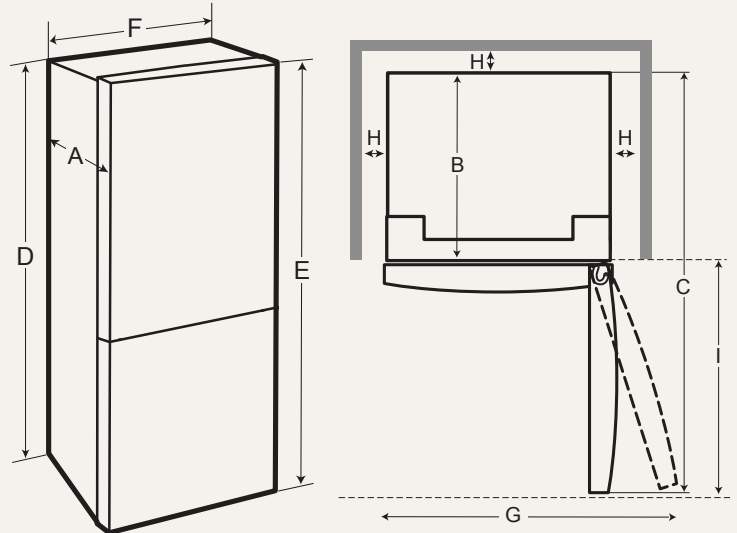
- Installing on carpeting, soft tile surfaces, a platform or weakly supported structure is not recommended.

#### AMBIENT TEMPERATURE

- Install this appliance in an area where the temperature is between 50° F (10° C) and 95° F (35° C).
- If the temperature around the appliance is too low or high, cooling ability may be adversely affected.

### PRODUCT DIMENSIONS

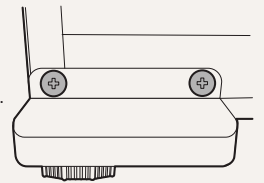
- Check the dimensions of the appliance and the installation path to ensure there is sufficient room to move the refrigerator through doors or narrow openings.
- The installation location chosen for the refrigerator should allow space behind the unit for connections and airflow and space in front to open the doors.
- Too small of a distance from adjacent items may result in lowered freezing capability and increased electricity consumption charges.



### LEVELING

The refrigerator has two front leveling legs. Adjust the legs to alter the tilt from front-to-back or side-to-side. If the refrigerator seems unsteady, or the door does not close easily, adjust the refrigerator's tilt using the instructions below:

- Open the bottom drawer and remove the cover from the appliance.
- Turn the leveling leg to the left to raise that side of the refrigerator or to the right to lower it. It may take several turns of the leveling leg to adjust the tilt of the refrigerator.
- Open the door and the drawers and check to make sure that they close easily. If they do not close easily, tilt the refrigerator slightly more to the rear by turning both leveling legs to the left. It may take several more turns, and be sure to turn both leveling legs the same amount.
- When the refrigerator is level, open the bottom drawer and reassemble the cover.



### TURNING ON THE POWER

After installing, plug the refrigerator's power cord into a 3-prong grounded outlet and push the refrigerator into the final position.

#### ⚠ CAUTION

- Connect to a rated power outlet.
- Have a certified electrician check the wall outlet and wiring for proper grounding.
- Do not damage or cut off the ground terminal of the power plug.

