



Classic Series Refrigeration

Installation Guide

SPECIFICATIONS, INSTALLATION,
AND MORE



Contents

- 3 Classic Refrigeration
- 4 Opening Dimensions
- 8 Dual Installation
- 8 Electrical
- 9 Plumbing
- 9 Preparation
- 10 Anti-Tip Bracket
- 12 Placement
- 12 Water Line
- 13 Panel Installation
- 16 Alignment
- 17 Completion

Features and specifications are subject to change at any time without notice. Visit subzero.com/specs for the most up-to-date information.

Important Note

To ensure this product is installed and operated as safely and efficiently as possible, take note of the following types of highlighted information throughout this guide:

IMPORTANT NOTE highlights information that is especially important.

⚠ CAUTION

Indicates a situation where minor injury or product damage may occur if instructions are not followed.

⚠ WARNING

States a hazard that may cause serious injury or death if precautions are not followed.

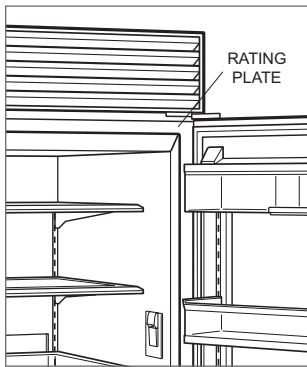
IMPORTANT NOTE: Throughout this guide, dimensions in parentheses are millimeters unless otherwise specified.

IMPORTANT NOTE: Save these instructions for the local electrical inspector.

Product Information

Important product information, including the model and serial number, are listed on the product rating plate. The rating plate is located at the top frame of the unit, inside the door. Refer to the illustration below.

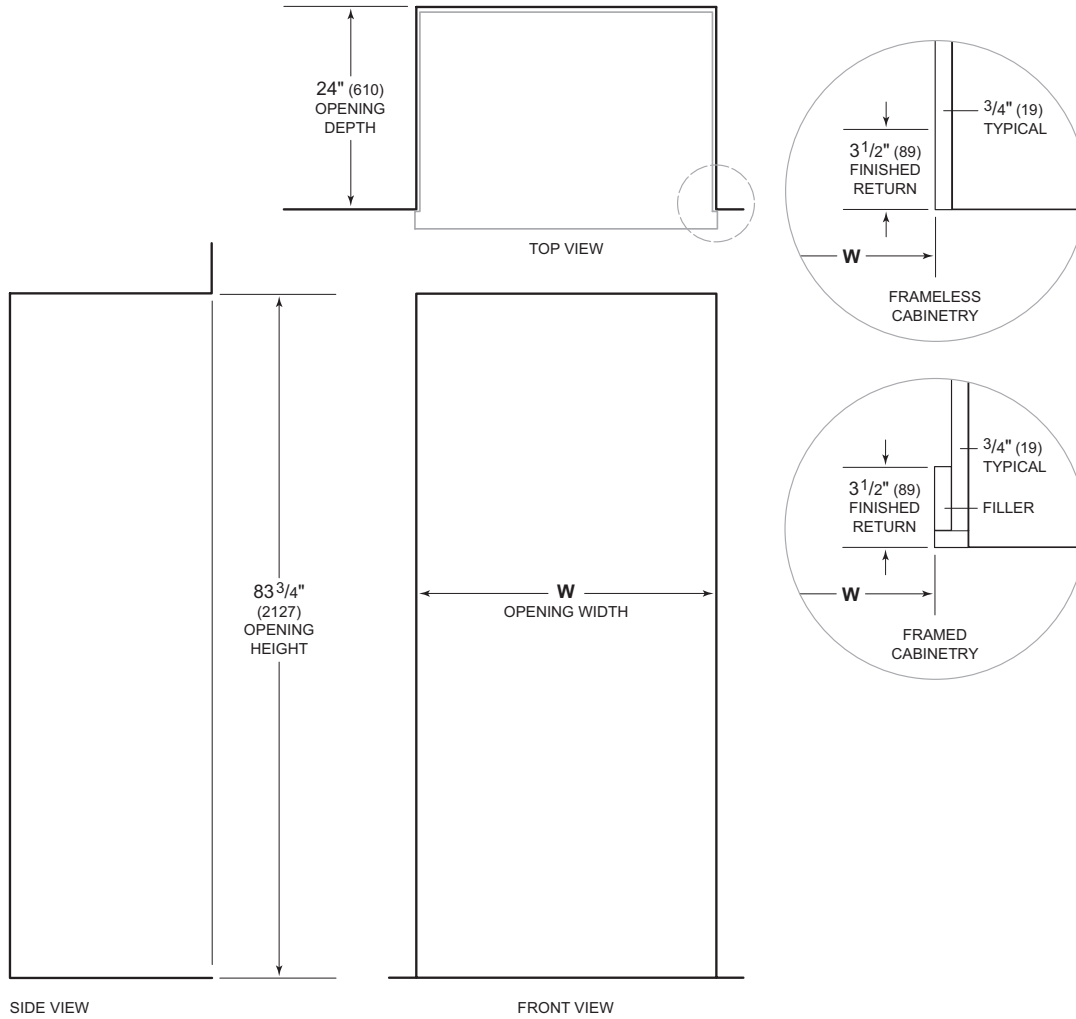
If service is necessary, contact Sub-Zero Factory Certified Service with the model and serial number. For the name of the nearest Sub-Zero Factory Certified Service or for questions regarding the installation, visit the Product Support section of our website, subzero.com, or call Sub-Zero Customer Care at 800-222-7820.



Rating plate location

Opening Dimensions

STANDARD INSTALLATION



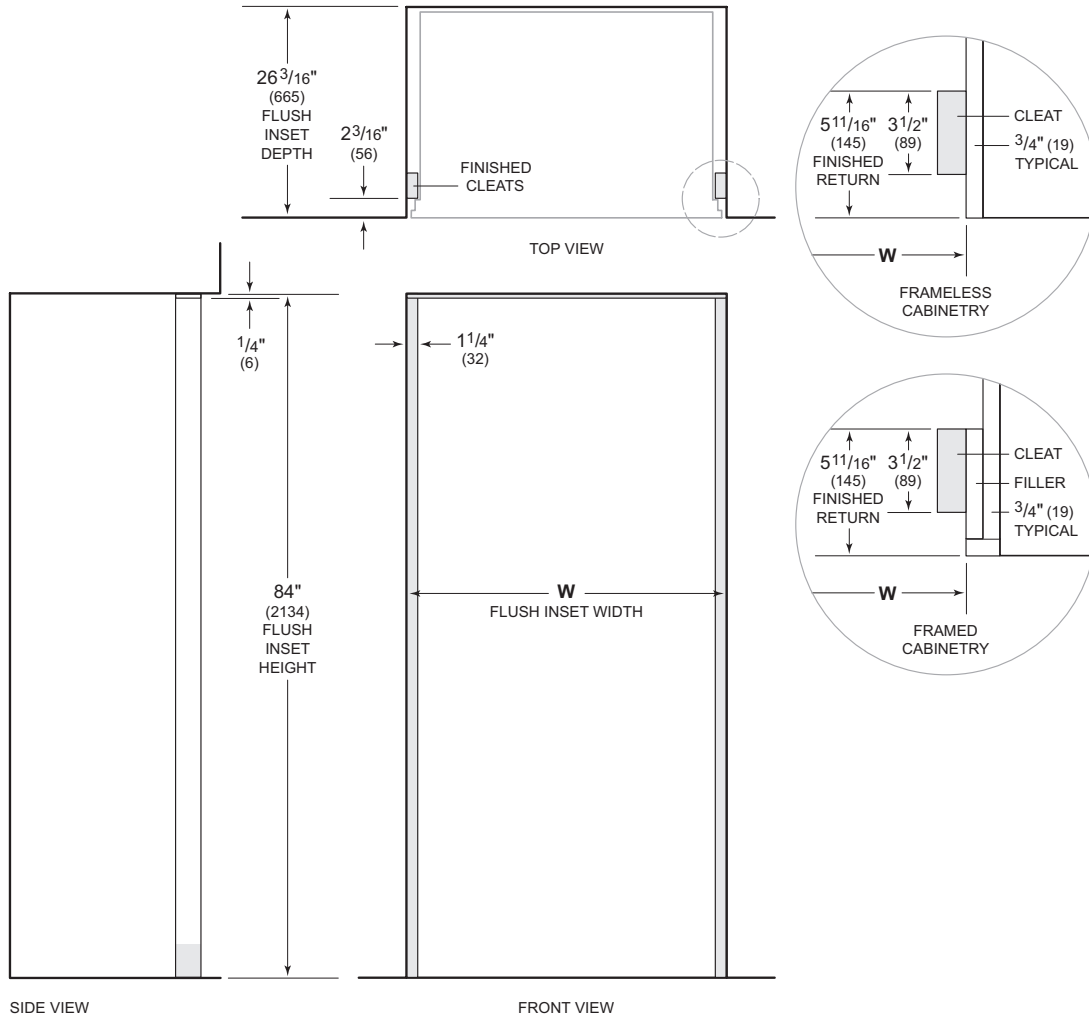
NOTE: 3 1/2" (89) finished returns will be visible and should be finished to match cabinetry. Shaded line represents profile of unit.

OPENING WIDTH	W
30" Model	29 1/2" (749)
36" Model	35 1/2" (902)
42" Model	41 1/2" (1054)
48" Model	47 1/2" (1206)

If two units are installed side by side, refer to page 6.

Opening Dimensions

FLUSH INSET INSTALLATION



NOTE: 3 1/2" (89) finished returns and shaded areas will be visible and should be finished to match cabinetry. Shaded line represents profile of unit with 3/4" (19) panel.

FLUSH INSET WIDTH

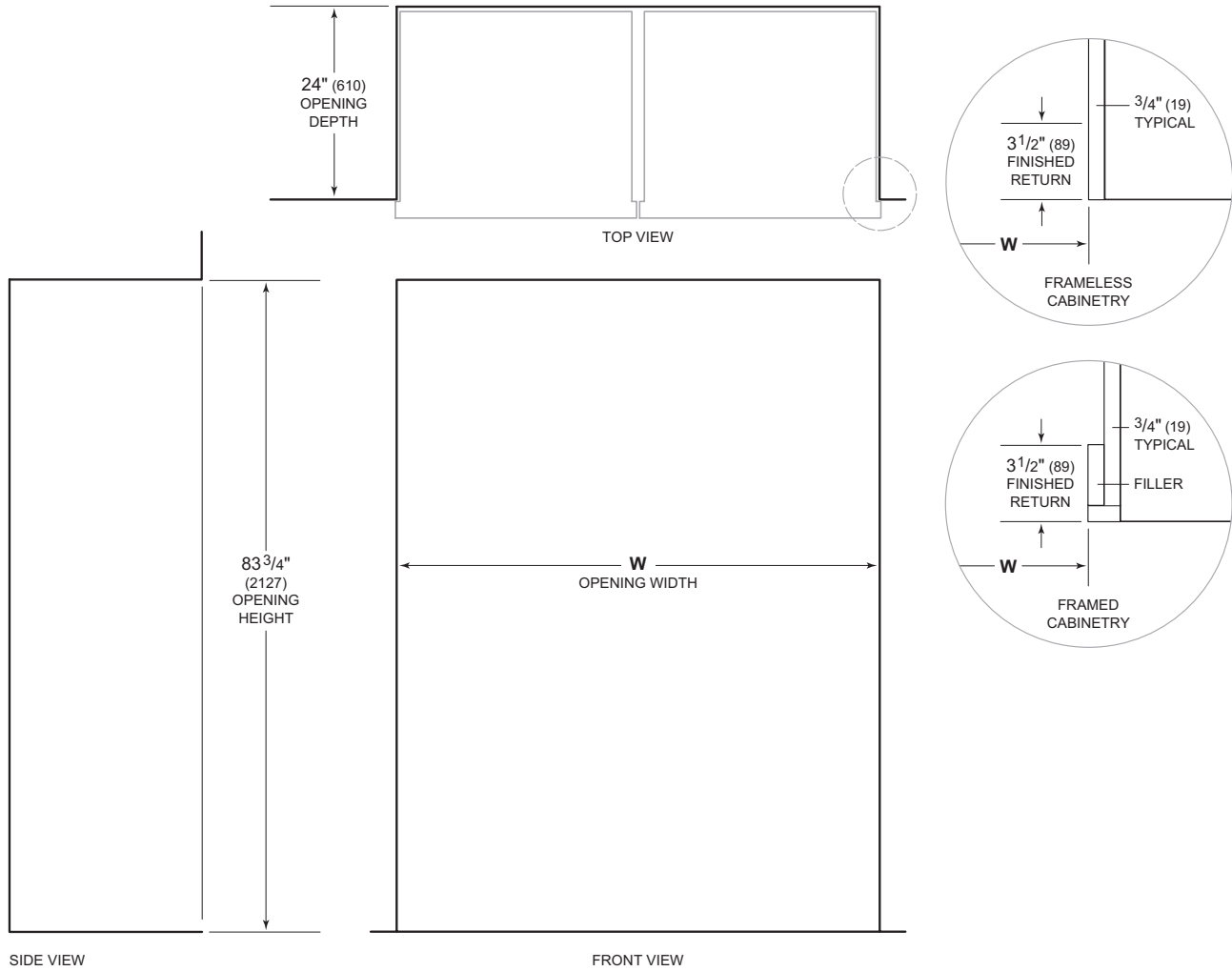
W

30" Model	32" (813)
36" Model	38" (965)
42" Model	44" (1118)
48" Model	50" (1270)

Dimensions assume a 3/4" (19) panel thickness. If two units are installed side by side, refer to page 7.

Opening Dimensions

DUAL STANDARD INSTALLATION



NOTE: 3 1/2" (89) finished returns will be visible and should be finished to match cabinetry. Shaded line represents profile of unit.

DUAL OPENING WIDTH

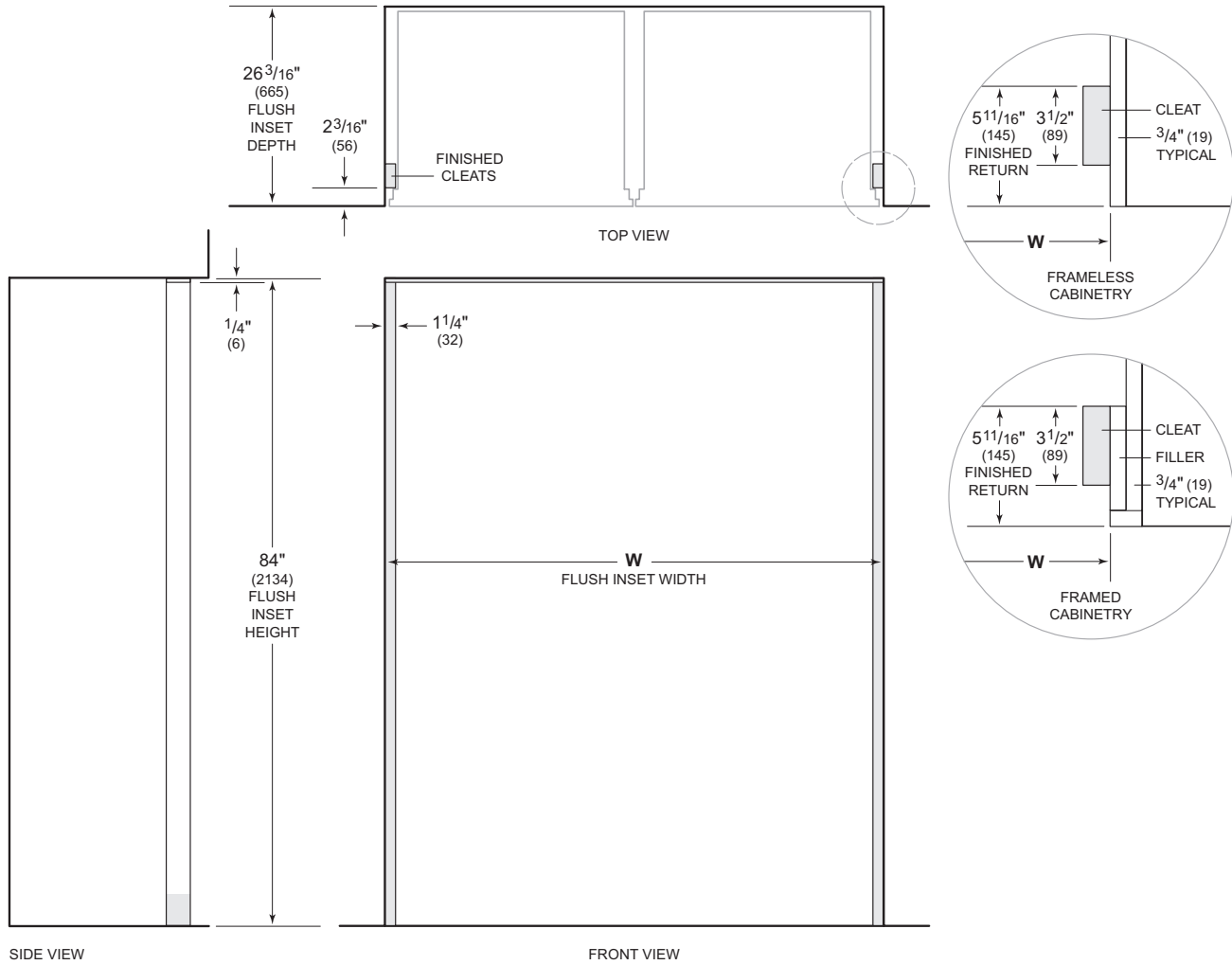
W

Two 30" Models	59 3/4" (1518)
30" and 36" Models	65 3/4" (1670)
Two 36" Models	71 3/4" (1822)

A dual installation kit is required for this installation.

Opening Dimensions

DUAL FLUSH INSET INSTALLATION



NOTE: $3\frac{1}{2}$ " (89) finished returns and shaded areas will be visible and should be finished to match cabinetry. Shaded line represents profile of unit with $\frac{3}{4}$ " (19) panel.

DUAL FLUSH INSET WIDTH

W

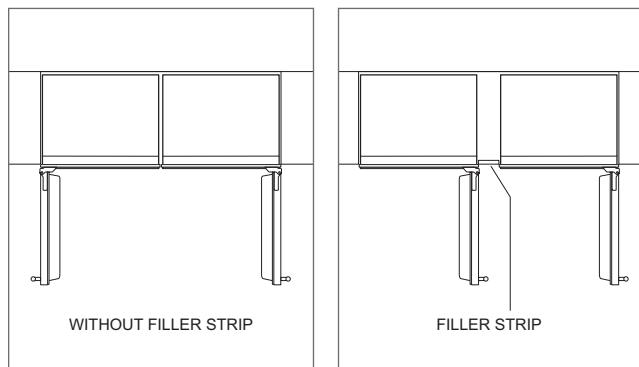
Two 30" Models	$62\frac{1}{4}$ " (1581)
30" and 36" Models	$68\frac{1}{4}$ " (1734)
Two 36" Models	$74\frac{1}{4}$ " (1886)

Dimensions assume a $\frac{3}{4}$ " (19) panel thickness. A dual installation kit is required for this installation.

Dual Installation

If two units are installed side by side, a dual installation kit may be required. Installations without a custom filler strip require a dual installation kit. If a dual installation kit is not specified, a 2" (51) filler strip is recommended between units. Dual installations without a filler strip can only be accomplished using two units with opposite hinges. Refer to the illustrations below.

Dual installation kits are available through an authorized Sub-Zero dealer. For local dealer information, visit the find a showroom section of our website, subzero.com. For questions regarding the installation, call Sub-Zero Customer Care at 800-222-7820.



Opposite hinges

Same side hinges

Electrical Requirements

Installation must comply with all applicable electrical codes.

The electrical supply should be located within the shaded area shown in the illustration below. A separate circuit servicing only this appliance is required. A ground fault circuit interrupter (GFCI) is not recommended and may cause interruption of operation.

ELECTRICAL REQUIREMENTS

Electrical Supply	115 VAC, 60 Hz
Service	15 amp dedicated circuit
Receptacle	3-prong grounding-type

⚠ CAUTION

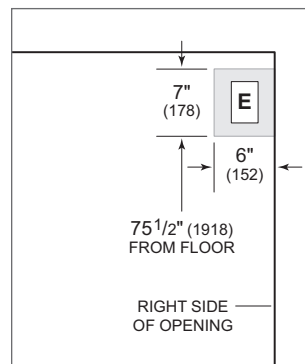
The outlet must be checked by a qualified electrician to be sure it is wired with the correct polarity. Verify the outlet is properly grounded.

⚠ WARNING

If the supply cord is damaged, it must be replaced by the manufacturer, its service agent or similarly qualified persons in order to avoid a hazard.

⚠ WARNING

Do not use an extension cord, two-prong adapter, or remove the power cord ground prong.



Electrical supply location

Plumbing Requirements

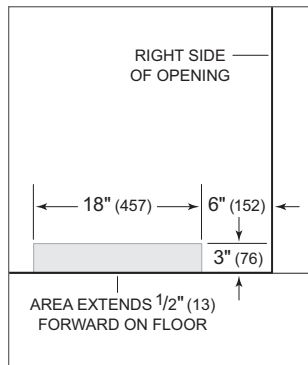
Installation must comply with all applicable plumbing codes.

The water supply line should be located within the shaded area shown in the illustration below. The water supply line should be connected to the house supply with an easily accessible shut-off valve. Do not use self-piercing valves. The water supply line must not interfere with the installation of the anti-tip brackets.

A reverse osmosis system can be used provided there is constant water pressure of 35–120 psi (2.4–8.3 bar) supplied to the unit at all times. In this application, the water filtration system must be bypassed by removing the filter. A copper line is not recommended for this application.

PLUMBING REQUIREMENTS

Water Supply	1/4" OD copper, braided stainless steel, or PEX tubing
Pressure	35–120 psi (2.4–8.3 bar)
Excess Line for Connection	36" (914)



Water supply location

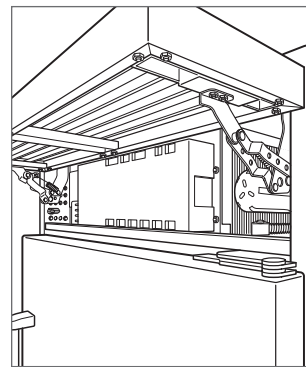
Preparation

Uncrate the unit and inspect for damage. Remove the wood base and discard the shipping bolts and brackets. Remove and recycle packing materials. Do not discard the kickplate, anti-tip brackets, and hardware.

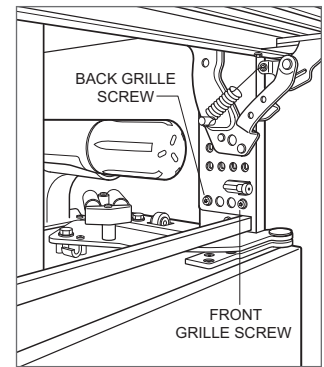
Completely retract the front leveling legs to allow the unit to be moved into position. The front and rear leveling legs can be adjusted from the front once the unit is in position.

Remove the drain pan from the base of the unit to avoid damage and to allow for proper placement of the appliance dolly.

The grille assembly should be removed prior to moving the unit. To remove, pull out on the bottom edge of the grille and rotate upward. Loosen the back two grille mounting screws and remove the front two grille mounting screws. Refer to the illustrations below. With the grille held firmly, pull forward to remove.



Grille removal



Grille mounting screws

Anti-Tip Bracket

⚠ WARNING

To prevent the unit from tipping forward, the anti-tip brackets must be installed.

The two anti-tip brackets must be installed exactly 24" (610) from the front of the opening to the back of the brackets and a minimum of 4" (102) from the sides of the opening. This depth will increase to 26³/₁₆" (665) for a flush inset installation based on ³/₄" (19) thick panels. Failure to properly position the anti-tip brackets will prevent proper engagement.

Use all anti-tip bracket hardware as instructed for wood or concrete floors.

IMPORTANT NOTE: For wood or concrete floor applications, if the #12 screws do not hit a wall stud or wall plate, use the #8 screws and #12 washers with the wall anchors.

IMPORTANT NOTE: In some installations the subflooring or finished floor may necessitate angling the screws used to fasten the anti-tip brackets to the back wall.

ANTI-TIP HARDWARE

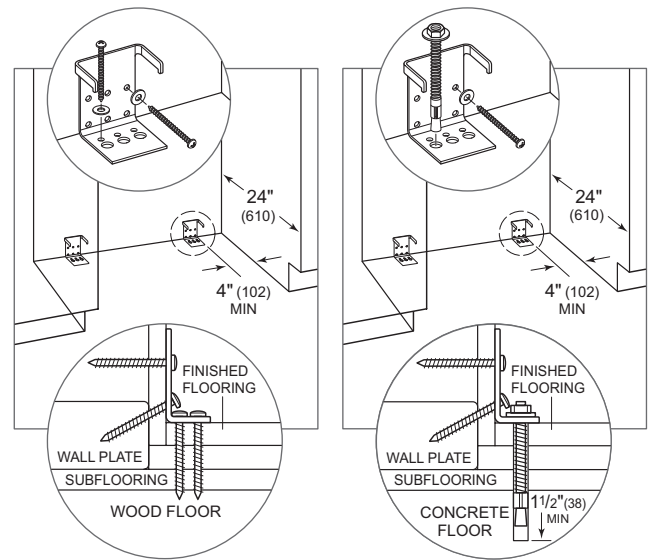
2	Anti-tip brackets
12	#12 x 2 ¹ / ₂ " pan head screws
4	³ / ₈ "-16 x 3 ³ / ₄ " wedge anchors
12	#12 flat washers
4	#8-18 x 1 ¹ / ₄ " truss head screws
4	Nylon Zip-it® wall anchors

WOOD FLOOR APPLICATION

After properly locating the anti-tip brackets in the opening, drill pilot holes ³/₁₆" (5) diameter maximum in the wall studs or wall plate. Use the #12 screws and washers to secure the brackets. Verify the screws penetrate through the flooring material and into the wall studs or wall plate a minimum of ³/₄" (19). Refer to the illustration below.

CONCRETE FLOOR APPLICATION

After properly locating the anti-tip brackets in the opening, drill pilot holes ³/₁₆" (5) diameter maximum in the wall studs or wall plate. Drill ³/₈" (10) diameter holes into the concrete a minimum of 1¹/₂" (38) deep. Use the #12 screws and washers to secure the brackets to the wall, and use the ³/₈" wedge anchors to secure the brackets to the floor. Verify the screws penetrate the wall studs or wall plate a minimum of ³/₄" (19). Refer to the illustration below.



Wood floor

Concrete floor

Anti-Tip Bracket

CONCRETE WEDGE ANCHOR INSTALLATION

- 1 Drill a $\frac{3}{8}$ " (10) diameter hole any depth exceeding the minimum embedment. Clean the hole or drill additional depth to accommodate the drill fines.
- 2 Assemble the washer and nut flush with the end of anchor to protect threads. Drive the anchor through the material to be fastened until the washer is flush with the surface material.
- 3 Expand the anchor by tightening the nut 3–5 turns past hand-tight position or to 25 foot-pounds of torque.

⚠ WARNING

Verify there are no electrical wires or plumbing in the area which the screws could penetrate.

⚠ CAUTION

Always wear safety glasses and use other necessary protective devices or apparel when installing or working with anchors.

Anchors are not recommended for use in lightweight masonry material such as block or brick, or for use in new concrete which has not had sufficient time to cure. The use of core drills is not recommended to drill holes for the anchors.

Placement

⚠ CAUTION

Before moving the unit into position, secure the door(s) closed and protect any finished flooring.

Use an appliance dolly to move the unit near the opening.

If the unit has been on its back or side, it must stand upright for a minimum of 24 hours before connecting power.

Plug the power cord into the grounded outlet and roll the unit into position.

⚠ CAUTION

If the power cord is routed behind the grille for cord management, verify it does not contact the door hinge.

Verify the anti-tip brackets are properly engaged.

IMPORTANT NOTE: If used, side panels must be installed before the unit is placed in its final position. Refer to page 15.

Water Line

Approximately 3' (.9 m) of 1/4" plastic tubing is connected to the unit with a preassembled 1/4" compression connection under the unit. The water line fitting connection kit, provided with the unit, contains a 1/4" compression union fitting for connection to the household water line.

Purge the water line prior to final connection to the unit. This will remove any debris that may be present in the tubing from installing the new water line.

Place the sleeve and nut on the water line and fasten to the connection at the end of the tubing. Do not over tighten. Check all water line fittings for leaks. Verify the drain pan can be installed and removed without interference with the water line.

IMPORTANT NOTE: If a reverse osmosis system is used, it is recommended the water filtration system be bypassed by removing the filter.

IMPORTANT NOTE: Water lines cannot be exposed to freezing temperatures.

⚠ WARNING

Connect to potable water supply only.

Custom Panels

For overlay and flush inset applications, custom door and grille panels must be installed. The panel size is critical for a proper fit. To verify panel requirements and dimensions, refer to the Sub-Zero Design Guide at subzero.com/specs.

IMPORTANT NOTE: Flush inset applications require a minimum 1/2" (13) reveal on all sides.

Finish all sides of the custom panels. They may be visible when the door is open or through the window of glass door models.

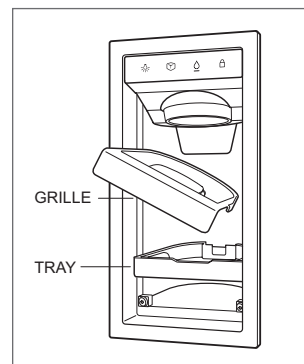
EXTERNAL DISPENSER

For external dispenser models, the dispenser bezel must be removed before the custom panels can be installed.

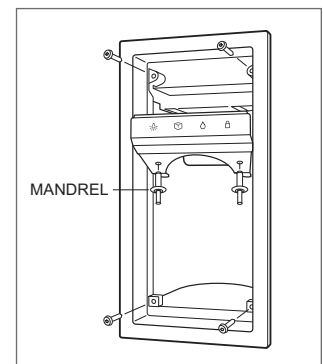
The bezel will accommodate a minimum 3/4" (19) thick panel. Panels thicker than 3/4" (19) must be routed in the dispenser area to 1 1/8" (29) (including the backer and spacer panels).

To remove the bezel:

- 1 Lift, rotate, and remove the grille.
- 2 Lift and remove the tray.
- 3 Remove the center posts from the push rivets, then remove the rivets from the bottom of the control panel.
- 4 Rotate the control panel downward and disconnect the wire harness.
- 5 Remove the screws from each corner of the bezel and pull the bezel forward.



Tray and grille removal



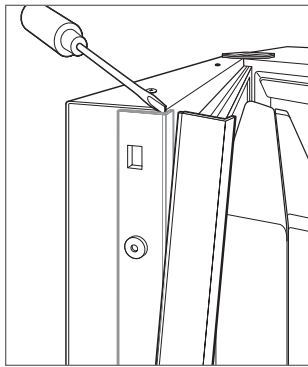
Dispenser bezel removal

Panel Installation

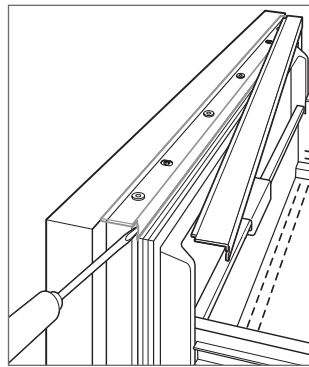
DOOR PANELS

To install custom door panels, remove the handle side trim molding. Insert a screwdriver tip into the top corner slot on the handle side and pop out the trim. For the drawer, insert a screwdriver tip into the slot on either side of the trim running along the top of the drawer and pop out the trim. Remove the screws and frame. Refer to the illustrations below.

The door has a 1/4" (6) frame for the custom panel to slide into. If the panel is thicker than 1/4" (6), rout an edge around the panel or mount the panel on a sheet of 1/4" (6) thick material, then insert into the frame.



Door side trim



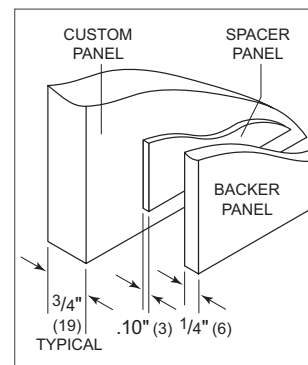
Drawer top trim

A .10" (3) space is required between the backer panel and the custom panel to allow the panel to slide into the door frame. Refer to the illustration below for critical dimensions.

Install handle hardware before inserting the panel. Large D-style handles are recommended rather than knobs. Screw heads must be countersunk into the panel.

Slide the panel into the frame.

To reinstall the door trim molding, insert the top of the trim into grooves at the top of the door and work downward, snapping the trim into clips on the door frame. For the drawer, start at one end and move towards the opposite end, snapping the trim into the clips.



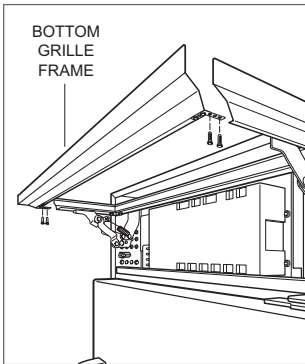
Panel assembly (rear view)

Panel Installation

GRILLE PANEL

Remove the bottom grille frame by extracting the two lower corner screws from each side of the grille assembly. Refer to the illustration below.

With the bottom section removed, slide the custom grille panel into the frame. If the panel is thinner than 1/4" (6), a filler material will need to be installed to achieve a proper fit. Once the panel is installed, reattach the bottom grille frame by sliding the corner brackets back into position, then reinstall the four corner screws.



Grille frame assembly

SIDE PANEL

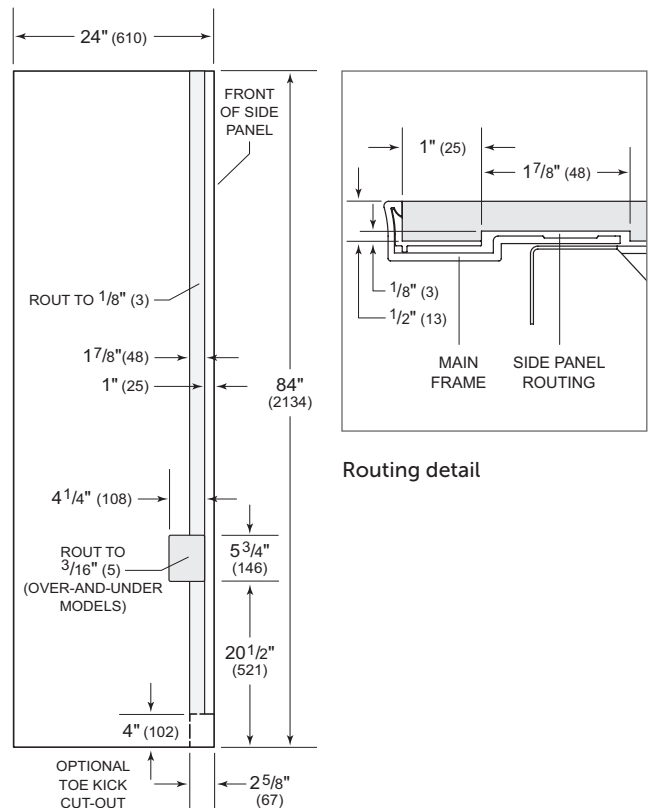
When installing a custom side panel, an accessory kit is required and is available through an authorized Sub-Zero dealer. For local dealer information, visit the find a showroom section of our website, subzero.com. Stainless steel side panels are also available from an authorized Sub-Zero dealer.

IMPORTANT NOTE: The use of side panels may change the width of the opening.

A custom side panel must be a minimum of 24" (610) deep and 1/2" (13) thick. Routing will be necessary for the side panel to fit flush against the side of the unit. Refer to the illustrations below.

IMPORTANT NOTE: The height of the side panel will vary with the height of the grille. Verify the finished height before modifying the panels.

IMPORTANT NOTE: For over-and-under and French door models, additional routing will be necessary to accommodate the lower hinge plate of the refrigerator.



Side panel dimensions

Alignment

LEVELING

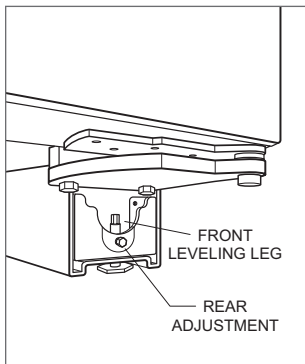
Once the unit is in position, turn the front leveling legs clockwise to adjust the height. The rear height adjustment can be made from the front of the roller base. Using a $\frac{3}{8}$ " socket, turn the $\frac{3}{8}$ " hex bolt clockwise to raise the unit or counterclockwise to lower. Use the lowest torque setting when using a power drill. Do not turn the rear leveling legs by hand. Refer to the illustration below.

When the unit is properly leveled, door and drawer adjustments are less likely to be necessary.

IMPORTANT NOTE: Level the unit to the floor, not the surrounding cabinetry. This could affect the operation of the unit, such as door closing.

⚠ WARNING

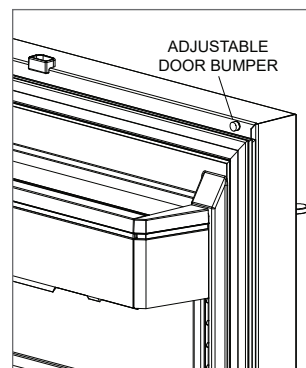
To reduce the possibility of the unit tipping forward, the front leveling legs must be in contact with the floor.



Leveling

DOOR ADJUSTMENT

Side-by-side and over-and-under doors are adjustable in and out, and side to side tilt. Side-by-side doors only are adjustable up and down and the handle sides are adjustable in and out. To adjust the handle side, rotate the adjustable door bumper. Refer to the illustration below.



Adjustable door bumper

Alignment

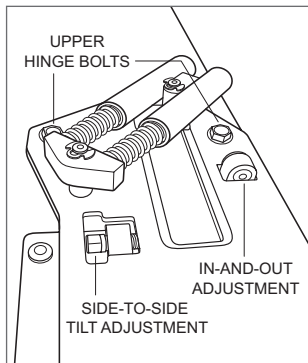
DOOR ADJUSTMENT

To make all other adjustments, loosen the two upper hinge bolts using a 1/2" wrench. Refer to the illustration below.

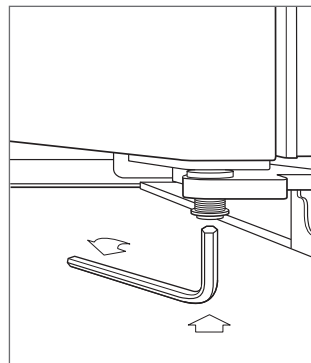
In-and-Out Adjustment: For left-hinge doors, use a 5/32" allen wrench to turn the adjustment bolt clockwise to adjust the handle side inward, and counterclockwise to adjust outward. Reverse directions for a right-hinge door.

Side-to-Side Tilt Adjustment: For left-hinge doors, use a 3/8" wrench to turn the adjustment bolt clockwise to adjust the handle side upward, and counterclockwise to adjust downward. Reverse directions for a right-hinge door.

Up-and-Down Adjustment: For left-hinge doors, use a 1/4" allen wrench to turn the adjustment bolt clockwise to raise the door and counterclockwise to lower. Reverse directions for a right-hinge door. Refer to the illustration below.



Door adjustment bolts

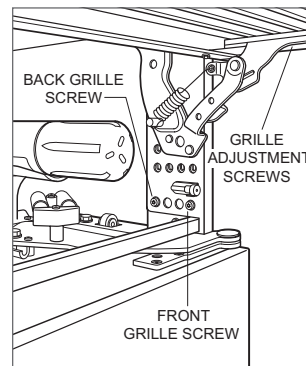


Up-and-down door adjustment

Completion

GRILLE INSTALLATION

Install the grille assembly and check for proper fit. The grille is designed to rest on the upper door hinge(s) to minimize the reveal between the top of the door and bottom of the grille. To eliminate interference, the grille height can be adjusted. Loosen the four grille adjustment screws (two on each side) and adjust the grille height as needed. Refer to the illustration below.



Grille height adjustment

Completion

ANCHORING

After the unit has been leveled and door adjustment completed, anchor the unit to the opening to ensure a proper fit and secure installation.

To anchor the top of the unit, open the grille and install the screws provided through the grille frame into cabinetry. There are several hole locations. Refer to the illustration below. Check for proper door clearance by opening the door.

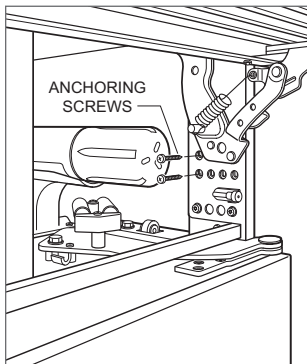
To anchor the bottom of the unit, drive a screw through the side hole inside each roller base assembly. The screw will need to go in at an angle to attach properly. Refer to the illustration below. Additional material may be needed behind the cleat to ensure sufficient anchoring.

⚠ CAUTION

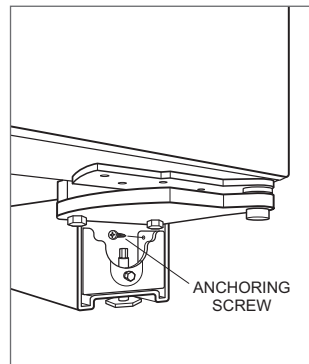
If the screws provided are not suitable for the installation, use adequate screws.

⚠ WARNING

To avoid a hazard due to instability of the appliance, it must be fixed in accordance with the instructions.



Top anchoring



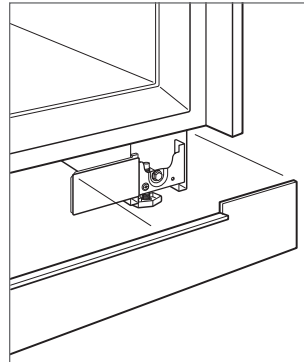
Bottom anchoring

KICKPLATE INSTALLATION

Reinstall the drain pan and verify it is in the proper position.

Install the kickplate using the magnets to attach it to the brackets on the inside of each roller base. Refer to the illustration below. The kickplate must be removable for service. The floor cannot interfere with removal. Refer to the label mounted on the kickplate support for height clearance.

To turn power on to the unit, touch and hold **ⓘ** on the control panel.



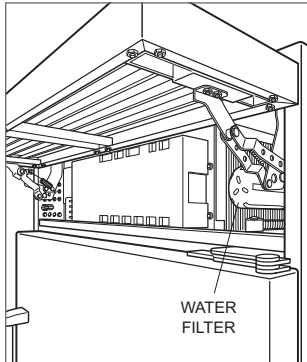
Kickplate installation

Completion

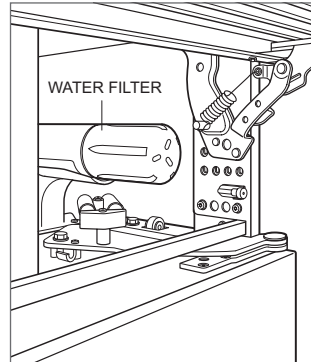
WATER FILTER BYPASS

If the water filtration system will not be used, it can be placed in water filter bypass mode by removing the water filter. Refer to the illustration below. Follow these steps to remove the water filter:

- 1 Pull out on the bottom edge of the grille assembly and tilt the grille frame upward.
- 2 To remove the cartridge, rotate the cartridge counter-clockwise one-quarter turn and pull out. Refer to the illustration below.



Water filter location



Water filter removal

90° DOOR STOP

The doors of all models open to 110°. A 90° door stop is provided with the unit (located behind the grille). Additional 90° door stop kits are available through an authorized Sub-Zero dealer.

⚠ WARNING

Follow all city and state laws when storing, recycling, or discarding unused refrigerators and freezers.

Contenido

- 3 Refrigeración Clásica
- 4 Dimensiones de la abertura
- 8 Instalación doble
- 8 Instalación eléctrica
- 9 Instalación de plomería
- 9 Preparación
- 10 Soporte antivuelco
- 12 Colocación en posición
- 12 Línea de agua
- 13 Instalación del panel
- 16 Alineación
- 17 Finalización

Las características y especificaciones están sujetas a cambios sin previo aviso. Visite subzero.com/specs para obtener la información más actualizada.

Aviso importante

Para garantizar que este producto se instale y opere de la forma más segura y eficiente posible, tome nota de los siguientes tipos de información resaltada en este manual:

AVISO IMPORTANTE señala la información que es especialmente importante.

⚠ PRECAUCIÓN

Indica una situación en la que se pueden sufrir heridas leves o provocar daños al producto si no se siguen las instrucciones.

⚠ ADVERTENCIA

Indica peligro de que se produzcan heridas graves o incluso la muerte si no se siguen las precauciones.

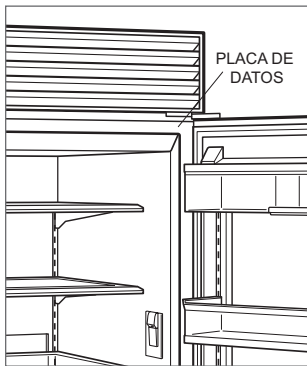
AVISO IMPORTANTE: En toda esta guía, las dimensiones entre paréntesis son milímetros, a menos que se especifique lo contrario.

AVISO IMPORTANTE: Guarde estas instrucciones para el inspector eléctrico local.

Información del producto

La información importante del producto, incluidos el modelo y el número de serie de la unidad, se encuentra en la placa de datos del producto. La placa de datos se encuentra en el marco superior de la unidad, en el interior de la puerta. Consulte la siguiente ilustración.

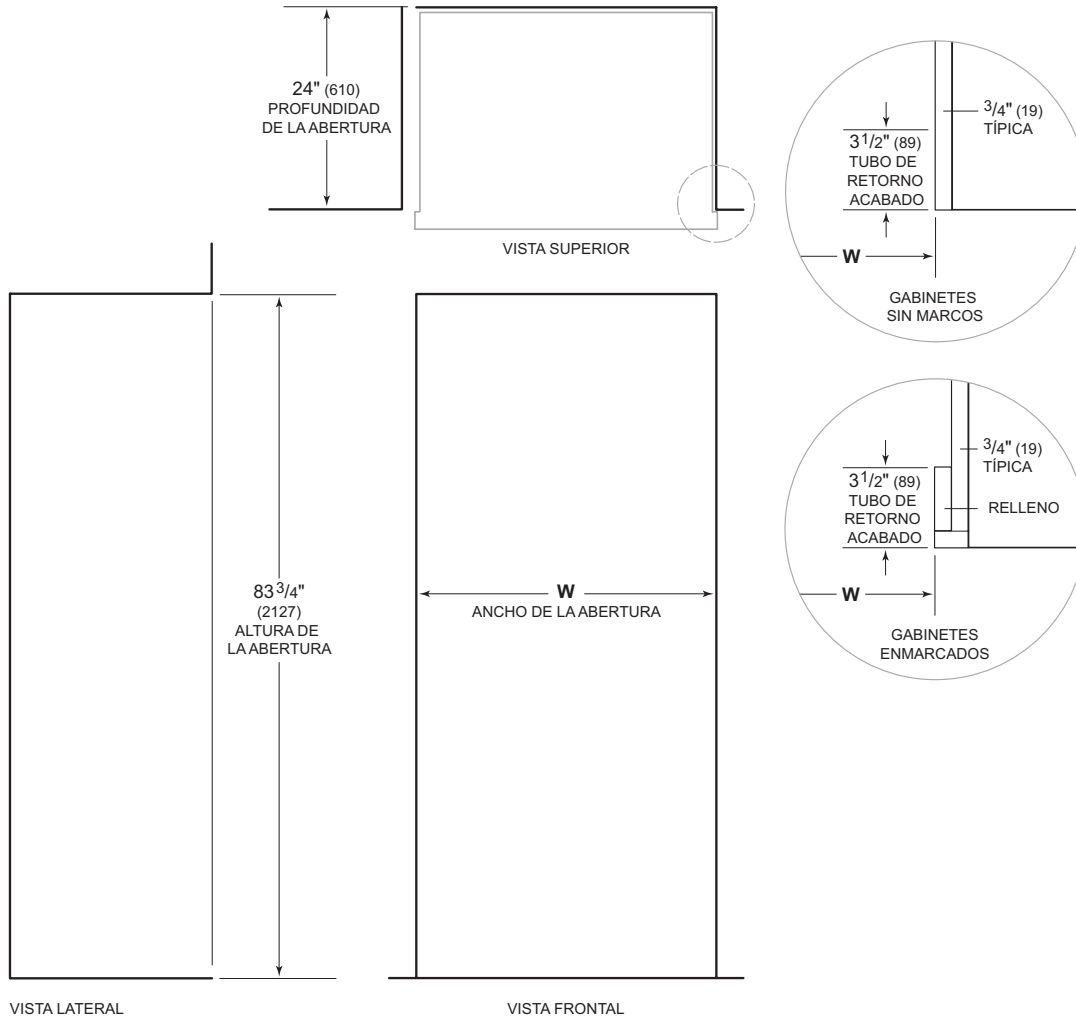
Si necesita servicio, póngase en contacto con el centro de servicio autorizado de Sub-Zero y tenga a la mano el modelo y número de serie de la máquina. Para obtener los datos del centro de servicio autorizado de Sub-Zero más cercano o si tiene preguntas acerca de la instalación, visite la sección de soporte técnico en nuestra página de Internet subzero.com o llame a la línea de atención al cliente de Sub-Zero al 800-222-7820.



Ubicación de la placa de datos

Dimensiones de abertura

INSTALACIÓN ESTÁNDAR



NOTA: Los tubos de retorno de 3 1/2" (89) con acabados y las áreas sombreadas se podrán ver y se deben terminar para que se ajusten a los gabinetes.

ANCHO DE LA ABERTURA

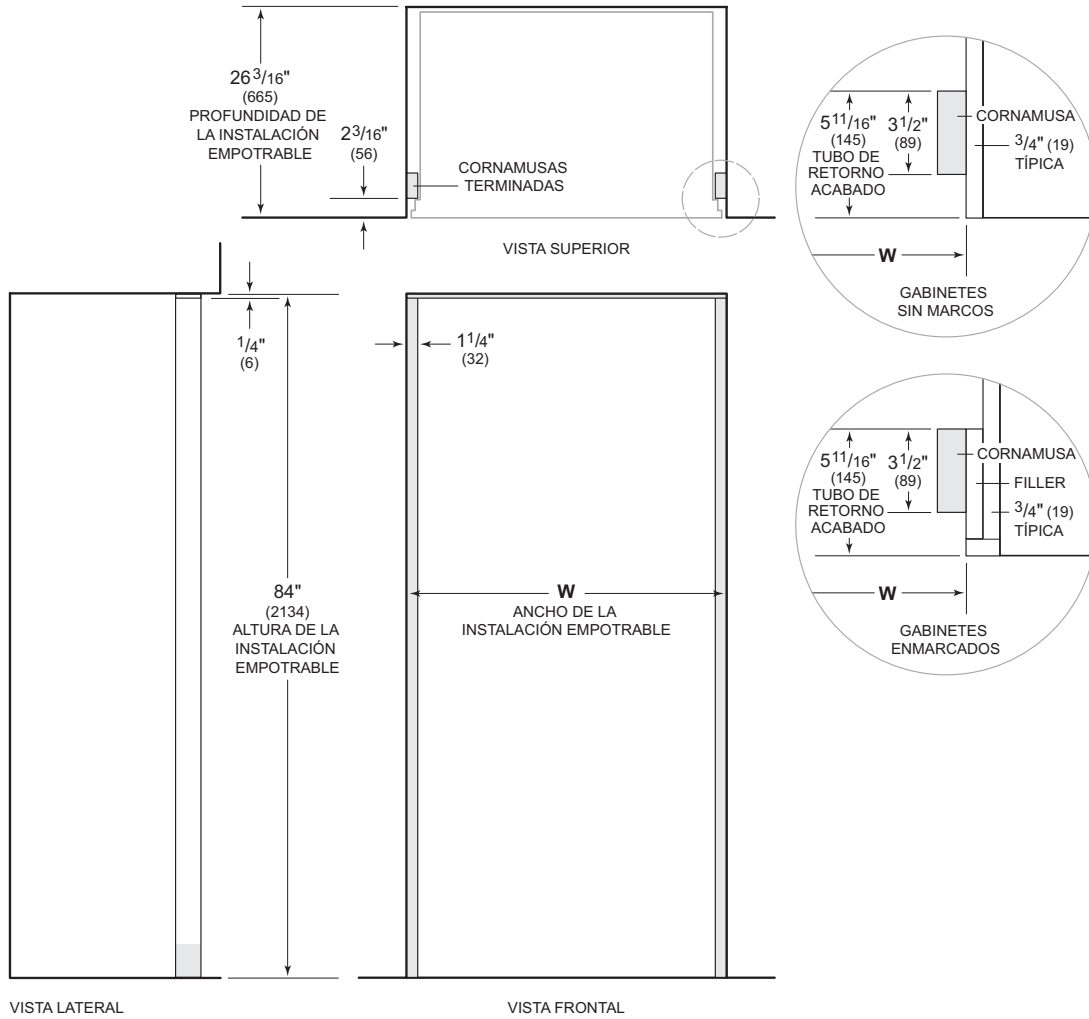
W

Modelo de 30"	29 1/2" (749)
Modelo de 36"	35 1/2" (902)
Modelo de 42"	41 1/2" (1054)
Modelo de 48"	47 1/2" (1206)

Si instala dos unidades lado a lado, consulte la página 6.

Dimensiones de abertura

INSTALACIÓN EMPOTRABLE



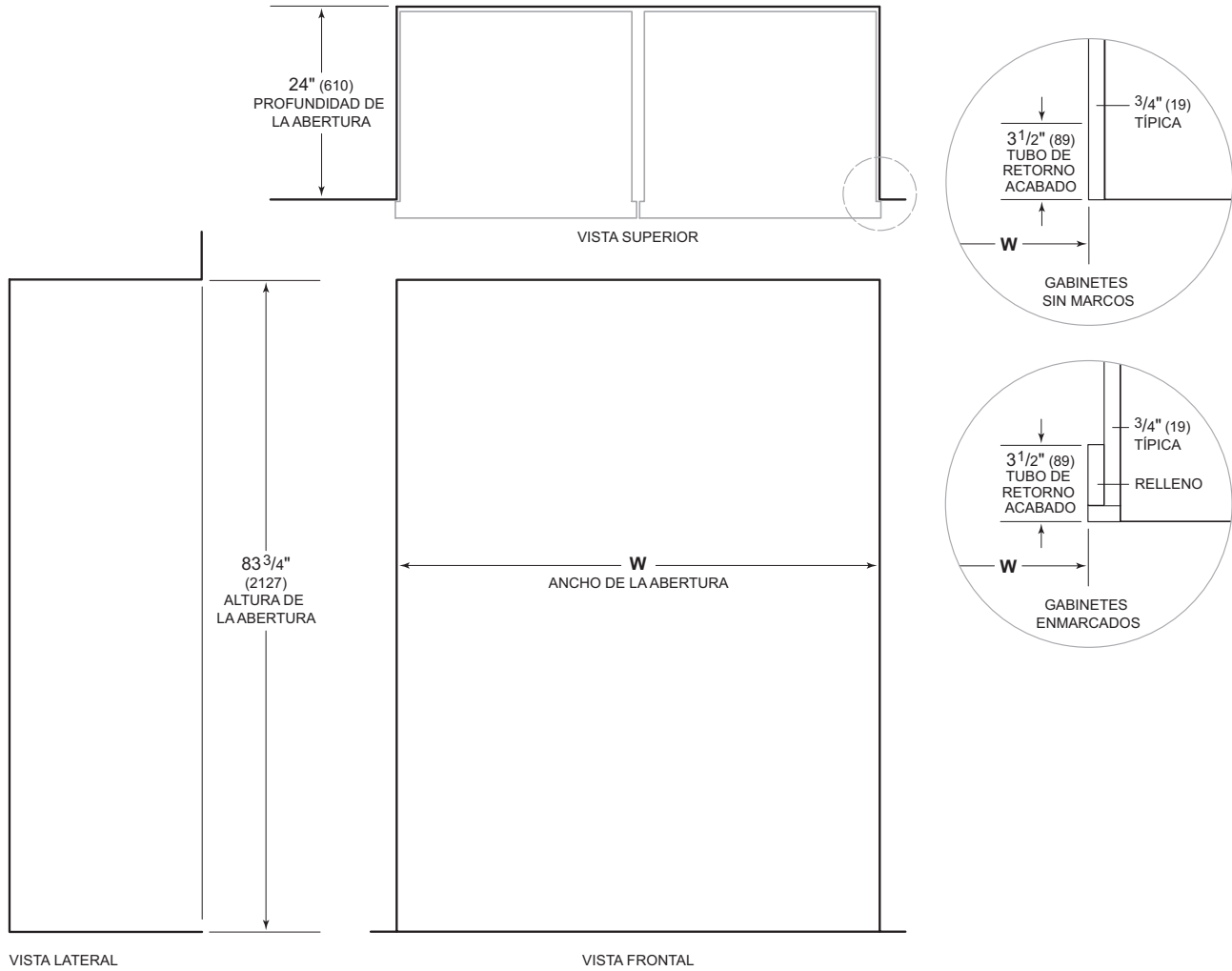
NOTA: Los tubos de retorno de 3 1/2" (89) con acabados y las áreas sombreadas se podrán ver y se deben terminar para que se ajusten a los gabinetes. La línea sombreada representa el perfil de la unidad con el panel de 3/4" (19).

ANCHO DE LA INSTALACIÓN EMPOTRABLE	W
Modelo de 30"	32" (813)
Modelo de 36"	38" (965)
Modelo de 42"	44" (1118)
Modelo de 48"	50" (1270)

Las dimensiones toman en consideración un panel de 3/4" (19) de grosor. Si instala dos unidades lado a lado, consulte la página 7.

Dimensiones de abertura

INSTALACIÓN ESTÁNDAR DOBLE



NOTA: Los tubos de retorno de 3 1/2" (89) con acabados se podrán ver y se deben terminar para que se ajusten a los gabinetes. La línea sombreada representa el perfil de la unidad.

ANCHURA DE ABERTURA DOBLE

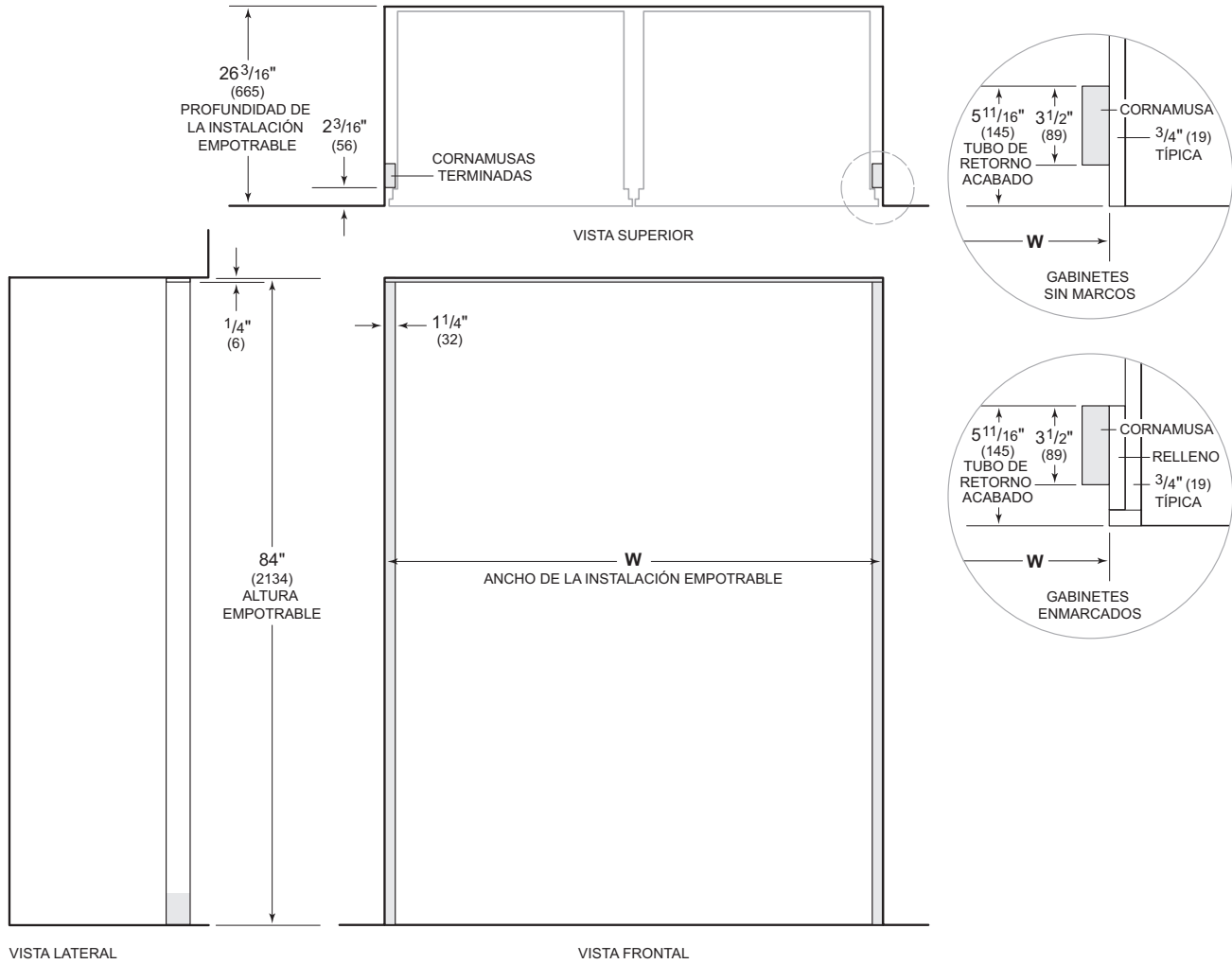
W

Dos modelos de 30"	59 3/4" (1518)
Modelos de 30" y 36"	65 3/4" (1670)
Dos modelos de 36"	71 3/4" (1822)

Para esta instalación se requiere un kit de instalación doble.

Dimensiones de abertura

INSTALACIÓN DE DOS UNIDADES EMPOTRABLE



NOTA: Los tubos de retorno de 3¹/₂" (89) con acabados y las áreas sombreadas se podrán ver y se deben terminar para que se ajusten a los gabinetes. La línea sombreada representa el perfil de la unidad con el panel de 3¹/₄" (19).

ANCHO DE DOS UNIDADES EMPOTRABLE

W

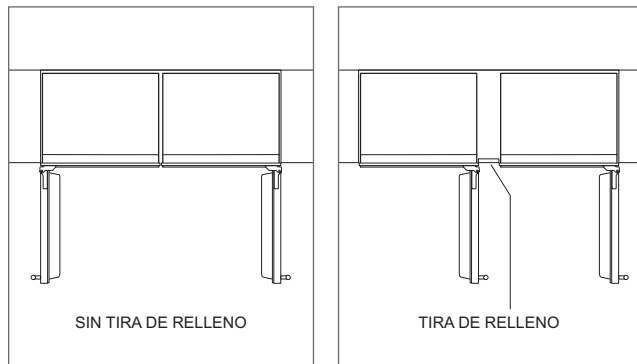
Dos modelos de 30"	62 ¹ / ₄ " (1581)
Modelos de 30" y 36"	68 ¹ / ₄ " (1734)
Dos modelos de 36"	74 ¹ / ₄ " (1886)

Las dimensiones toman en consideración un panel de 3¹/₄" (19) de grosor. Para esta instalación se requiere un kit de instalación doble.

Instalación doble

Si se instalan dos unidades lado a lado, puede ser necesario un kit de instalación doble. Las instalaciones sin una tira de relleno personalizada requieren un kit de instalación doble. Si el uso de un kit de instalación doble no está especificado, se recomienda utilizar una tira de relleno de 2" (51) entre las unidades. Las instalaciones dobles sin una tira de relleno solo se pueden realizar cuando se utilizan dos unidades con bisagras opuestas. Revise las siguientes ilustraciones.

Los kits de instalación doble están disponibles a través de un distribuidor autorizado de Sub-Zero. Para obtener más información acerca de los distribuidores locales, consulte la sección "encuentre una sala de exhibición" en nuestra página web subzero.com. Para preguntas sobre la instalación, comuníquese con la línea de atención al cliente de Sub-Zero al 800-222-7820.



Bisagras opuestas

Bisagras en el mismo lado

Requisitos eléctricos

La instalación debe cumplir con todos los códigos eléctricos vigentes. El suministro eléctrico debe colocarse dentro del área sombreada que se muestra en la siguiente ilustración. Se necesita un circuito independiente que le suministre electricidad únicamente a este electrodoméstico. No es recomendable utilizar un circuito de fallos de conexión a tierra (GFCI, por sus siglas en inglés) ya que puede interrumpir el funcionamiento de la unidad.

REQUISITOS ELÉCTRICOS

Suministro eléctrico	115 V CA, 60 Hz
Servicio	Circuito dedicado de 15 amperes
Receptáculo	Conexión a tierra de 3 clavijas

⚠ PRECAUCIÓN

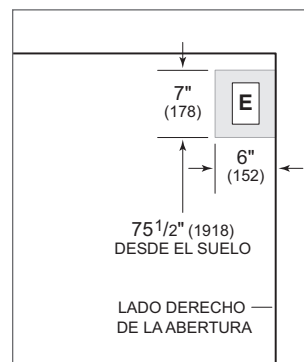
Un electricista calificado debe revisar el tomacorriente para asegurarse de que la conexión del cableado se haya realizado con la polaridad correcta. Compruebe que el tomacorriente esté debidamente conectado a tierra.

⚠ ADVERTENCIA

Si el cable de alimentación está dañado, debe ser reemplazado por el fabricante, su agente de servicio o personas calificadas de manera similar para evitar un peligro.

⚠ ADVERTENCIA

No use un cable de extensión, adaptador de dos clavijas ni retire la clavija con conexión a tierra del cable de corriente.



Ubicación del suministro eléctrico

Requisitos de plomería

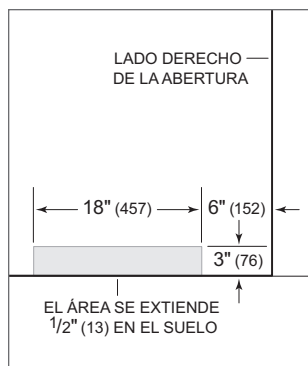
La instalación debe cumplir con todos los códigos de plomería vigentes.

La línea del suministro de agua debe colocarse dentro del área sombreada que se muestra en la siguiente ilustración. La línea del suministro de agua debe conectarse al suministro doméstico con una válvula de cierre de fácil acceso. No use válvulas autoperforantes. La línea del suministro de agua no debe interferir en la instalación de los soportes antivuelco.

Se puede utilizar un sistema de ósmosis inversa siempre y cuando la presión del agua que llegue a la unidad se mantenga de forma constante entre 35 y 120 psi (de 2.4 a 8.3 bares) en todo momento. En esta aplicación, se debe desviar el sistema de filtrado de agua mediante la extracción del filtro. No es recomendable usar tuberías de cobre para esta aplicación.

REQUISITOS DE PLOMERÍA

Suministro de agua:	Tubería de cobre, trenzada de acero inoxidable o PEX de 1/4" de diámetro exterior
Presión	De 35 a 120 psi (de 2.8 a 8.3 bares)
Tubería de exceso para la conexión	36" (914)



Ubicación del suministro de agua

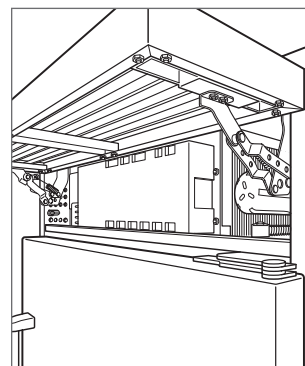
Preparación

Desembale la unidad e inspeccione si tiene algún daño. Retire la base de madera y deseche los pernos y soportes de transporte. Retire y recicle los materiales de embalaje. No deseche el zócalo, los soportes antivuelco ni las piezas de montaje.

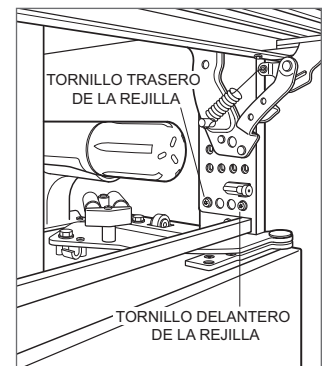
Repliegue completamente las patas niveladoras delanteras para que pueda mover la unidad a su posición. Las patas niveladoras delanteras y traseras se pueden ajustar desde el frente de la unidad una vez que se encuentren en su posición.

Retire la bandeja de drenaje de la base de la unidad para evitar que se dañe y permitir que se pueda colocar bien la plataforma rodante.

Debe quitar el ensamblaje de la rejilla antes de mover la unidad. Para quitarlo, jale el borde inferior de la rejilla hacia fuera y gire hacia arriba. Afloje los dos tornillos traseros de montaje de la rejilla y quite los dos tornillos delanteros de montaje de la rejilla. Revise las siguientes ilustraciones. Sujete la rejilla con firmeza, jale hacia adelante para quitarla.



Extracción de la rejilla



Tornillos para montaje de la rejilla

Soporte antivuelco

⚠ ADVERTENCIA

Para evitar que la unidad se vuelque hacia el frente, deben instalarse los soportes antivuelco.

Los dos soportes antivuelco deben estar instalados exactamente a 24" (610) de la parte delantera de la abertura hasta la parte trasera de los soportes y un mínimo de 4" (102) desde los lados de la abertura. Esta profundidad se incrementará a 26³/₁₆" (665) para una instalación empotrable al ras con paneles con ³/₄" (19) de grosor. No colocar correctamente los soportes antivuelco impedirá que la unidad quede bien enganchada.

Utilice todas las piezas de montaje de los soportes antivuelco de acuerdo con las instrucciones para suelos de madera o de concreto.

AVISO IMPORTANTE: Para aplicaciones en suelo de madera o de concreto, si los tornillos del # 12 no alcanzan un travesaño o la placa de pared, utilice tornillos del # 8 y arandelas del # 12 con los anclajes de pared.

AVISO IMPORTANTE: En algunas instalaciones el contrapiso o el suelo terminado pueden necesitar inclinar los tornillos utilizados para sujetar los soportes antivuelco a la pared del fondo.

PIEZAS DE MONTAJE ANTIVUELCO

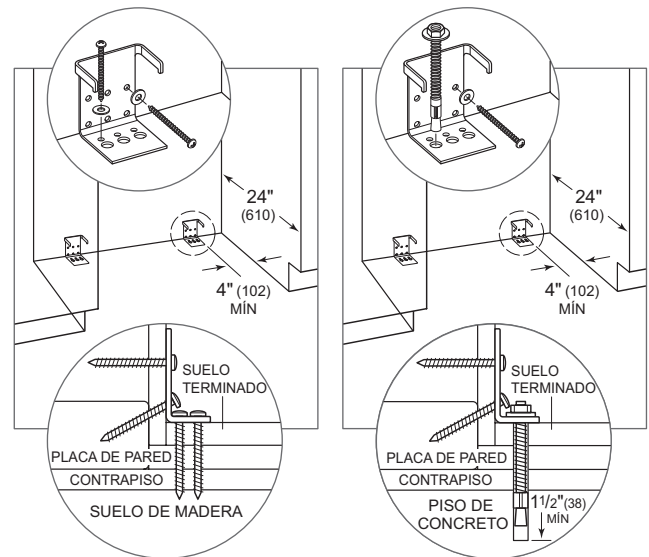
2	Soportes antivuelco
12	Tornillos de cabeza plana #12 x 2 ¹ / ₂ "
4	Anclas de cuña de ³ / ₈ " - 16 x 3 ³ / ₄ "
12	Arandelas planas #12
4	Tornillos de cabeza segmentada #8-18 x 1 ¹ / ₄ "
4	Anclajes Nylon Zip-it® para pared

APLICACIÓN EN SUELO DE MADERA

Después de ubicar apropiadamente los soportes antivuelco en la abertura, taladre los orificios guía con un diámetro máximo de ³/₁₆" (5) en los travesaños o en la placa de la pared. Utilice los tornillos #12 y las arandelas para sujetar los soportes. Compruebe que los tornillos penetren a través de los travesaños o la placa de la pared como mínimo ³/₄" (19). Consulte la siguiente ilustración.

APLICACIÓN EN PISO DE CONCRETO

Después de ubicar apropiadamente los soportes antivuelco en la abertura, taladre los orificios guía con un diámetro máximo de ³/₁₆" (5) en los travesaños o en la placa de la pared. Taladre orificios con un diámetro de ³/₈" (10) en el concreto con una profundidad de 1¹/₂" (38) como mínimo. Utilice los tornillos #12 y las arandelas para sujetar los soportes a la pared, y utilice las anclas de cuña de ³/₈" para sujetar los soportes al suelo. Compruebe que los tornillos penetren a través de los travesaños o la placa de la pared como mínimo ³/₄" (19). Consulte la siguiente ilustración.



Suelo de madera

Suelo de concreto

Soporte antivuelco

INSTALACIÓN DE LAS ANCLAS DE CUÑA PARA CONCRETO

- 1 Haga un orificio de $\frac{3}{8}$ " (10) de diámetro con una profundidad superior al empotrado mínimo. Limpie el orificio o continúe taladrando para hacer el orificio más profundo y que quepan los residuos en él.
- 2 Coloque la arandela y la tuerca al nivel del extremo del ancla para proteger las roscas. Inserte el ancla a través del material que va a fijar hasta que la arandela quede al ras del material de la superficie.
- 3 Para expandir el ancla gire la tuerca de 3 a 5 vueltas para ajustarla hasta que quede bien apretada o a 25 libras-pie de torsión.

⚠ ADVERTENCIA

Verifique que no haya cables eléctricos o tuberías en la zona donde va a introducir los tornillos.

⚠ PRECAUCIÓN

Utilice siempre gafas de seguridad y otros dispositivos o prendas de protección que sean necesarios al instalar o trabajar con anclas.

No se recomienda el uso de anclas en material de mampostería poco pesado, como son los bloques o ladrillos; tampoco se recomienda utilizarlos en concreto fresco que no haya tenido tiempo suficiente para curar. No se recomienda el uso de brocas huecas para hacer los orificios para el ancla.

Colocación

⚠ PRECAUCIÓN

Antes de mover la unidad a su posición, asegúrese de que las puertas estén cerradas y proteja cualquier suelo con acabado.

Use una plataforma rodante para mover la unidad cerca de la abertura.

Si la unidad ha estado o está acostada o de lado, debe ponerla de pie y dejarla así durante un mínimo de 24 horas antes de conectarla al suministro eléctrico.

Conecte el cable de alimentación a la conexión a tierra y coloque la unidad en su sitio.

⚠ CAUTION

Si el cable de alimentación se coloca detrás de la rejilla para el manejo del cable, verifique que no haga contacto con la bisagra de la puerta.

Compruebe que los soportes antivuelco estén bien enganchados.

AVISO IMPORTANTE: Si se utilizan, los paneles laterales deberán instalarse antes de colocar la unidad en su posición final. Consulte la página 15.

Línea de agua

Debe conectar un tubo de plástico de aproximadamente 3' (.9 m) de 1/4" a la unidad con una conexión de compresión de 1/4" previamente ensamblada debajo de la unidad. El kit para instalar la conexión de la línea de agua, que viene con la unidad, contiene un accesorio para unión de compresión de 1/4" para conectarlo a la toma de agua doméstica.

Purgue la línea de agua antes de hacer la conexión final a la unidad. Esto eliminará cualquier residuo que pueda haber quedado en la tubería al instalar la nueva línea de agua.

Coloque la manga y la tuerca en la toma de agua y sujételos a la conexión en el extremo de la tubería. No apriete demasiado. Revise todos los accesorios de la línea de agua para detectar fugas. Compruebe si puede instalar y quitar la bandeja de drenaje sin interferir en la línea de agua.

AVISO IMPORTANTE: Si utiliza un sistema de ósmosis inversa, se recomienda desviar el sistema de filtración de agua mediante la extracción del filtro.

AVISO IMPORTANTE: Las líneas de agua no pueden quedar expuestas a temperaturas de congelación.

⚠ ADVERTENCIA

Este aparato debe conectarse única y exclusivamente a una toma de agua potable.

Paneles personalizados

Para aplicaciones revestibles y empotrables, es necesario instalar las puertas personalizadas y los paneles de rejilla. El tamaño del panel es fundamental para un buen ajuste. Para verificar los requisitos y dimensiones del panel, consulte la Guía de diseño de Sub-Zero en subzero.com/specs.

AVISO IMPORTANTE: Las aplicaciones empotrables al ras requieren de un margen mínimo de 1/2" (13) en todos los lados.

Aplique el acabado a todos los lados de los paneles personalizados. Estos pueden verse al abrir la puerta o a través de la ventana de los modelos con puertas de vidrio.

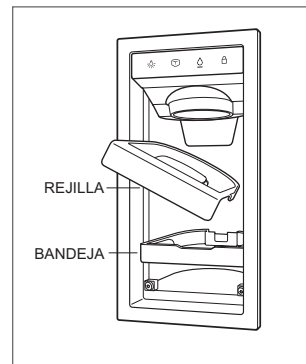
DISPENSADOR EXTERNO

Para los modelos con dispensador externo, tendrá que extraer el bisel del dispensador antes de que pueda instalar los paneles personalizados.

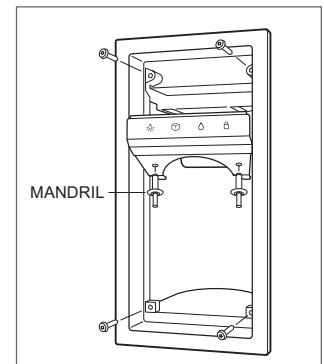
El bisel acomodará un panel con un grosor mínimo de 3/4" (19). Los paneles con un grosor de más de 3/4" (19) deberán ser guiados en el área del dispensador a 1 1/8" (29) (incluidos los paneles de respaldo y espaciador).

Para quitar el bisel:

- 1 Levante, gire y extraiga la rejilla.
- 2 Levante y extraiga la bandeja.
- 3 Extraiga las espigas centrales de los remaches de empuje y, a continuación, quite los remaches de la parte inferior del panel de control.
- 4 Gire el panel de control hacia abajo y desconecte el haz de cables.
- 5 Retire los tornillos de cada esquina del bisel y jale del bisel hacia delante.



Extracción de la bandeja y la rejilla



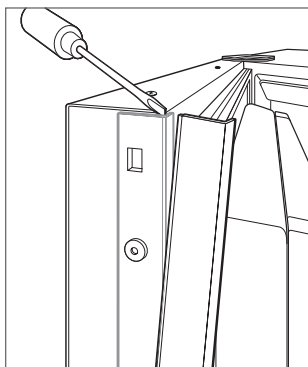
Extracción del bisel del dispensador

Paneles personalizados

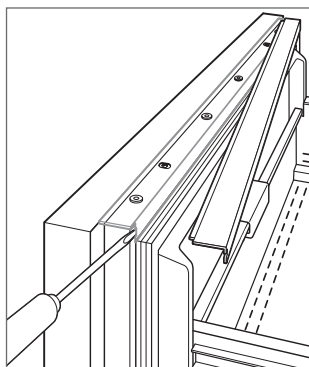
PANELES DE PUERTA

Para instalar los paneles de puerta personalizados, retire la moldura del ribete del lado de la manija. Inserte la punta del destornillador en la ranura de la esquina superior del lado de la manija y saque el ribete. Para el cajón, inserte la punta del destornillador en la ranura en cada lado del ribete que recorre la parte superior del cajón y saque el ribete. Quite los tornillos y el marco. Revise las siguientes ilustraciones.

La puerta tiene un marco de $\frac{1}{4}$ " (6) donde se desliza el panel personalizado. Si el panel tiene un grosor de más de $\frac{1}{4}$ " (6), coloque una guía alrededor del panel o monte el panel en una hoja de material con un grosor de $\frac{1}{4}$ " (6), luego inserte en el marco.



Ribete del lado de la puerta



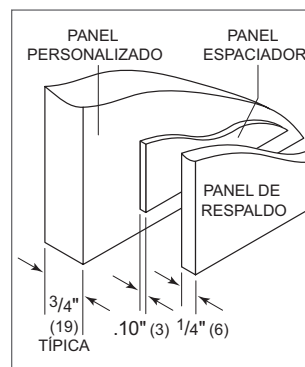
Ribete superior del cajón

Se necesita un espacio de $.10$ " (3) entre el panel de respaldo y el panel personalizado para permitir que el panel se deslice en el marco de la puerta. Consulte las siguientes ilustraciones para ver las dimensiones críticas.

Instale las piezas de montaje de la manija antes de insertar el panel. Es recomendable utilizar manijas estilo D en lugar de perillas. Las cabezas de los tornillos deben ser avellanadas en el panel.

Deslice el panel en el marco.

Para volver a instalar la moldura del ribete de la puerta, inserte la parte superior del ribete en las ranuras de la parte superior de la puerta y trabaje hacia abajo, ajustando el ribete en los clips en el marco de la puerta. Para el cajón, empiece en un extremo y desplácese hacia el extremo opuesto, ajustando el ribete en los clips.



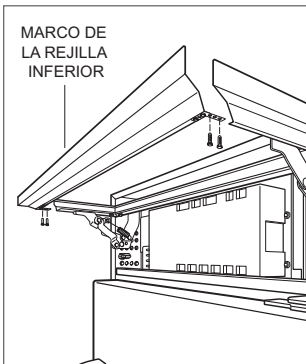
Montaje del panel
(vista posterior)

Paneles personalizados

PANEL DE REJILLA

Para quitar el marco de la rejilla inferior extraiga los tornillos de las dos esquinas inferiores de cada lado de la rejilla. Consulte la siguiente ilustración.

Una vez que haya retirado la sección inferior, deslice el panel personalizado de la rejilla dentro del marco. Si el panel es más delgado que 1/4" (6), deberá instalar un material de relleno para lograr un ajuste adecuado. Una vez que el panel está instalado, vuelva a colocar el marco de la rejilla inferior, deslice los soportes de las esquinas en su posición, luego vuelva a instalar los tornillos de las cuatro esquinas.



Montaje del marco de la rejilla

PANEL LATERAL

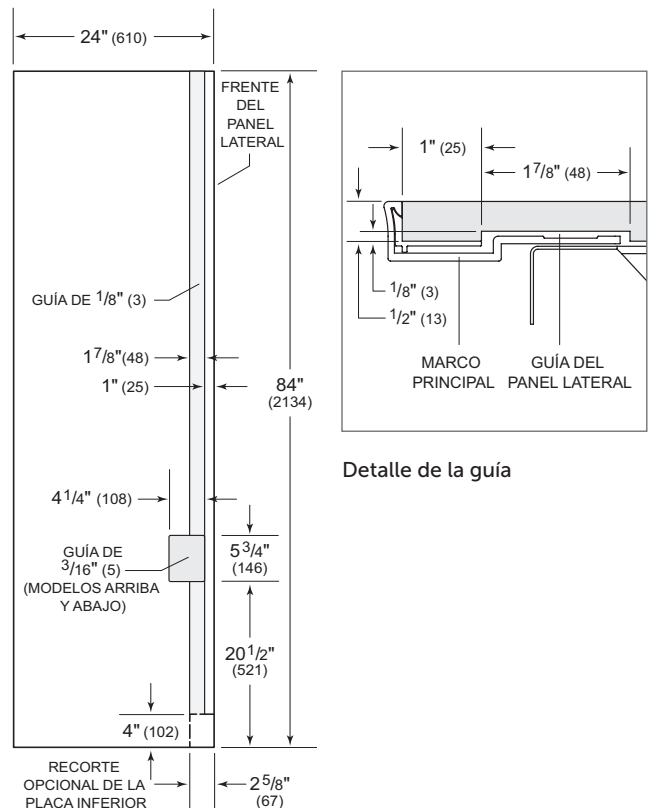
Para instalar un panel lateral personalizado, necesitará un kit de accesorios, disponible a través de un distribuidor autorizado de Sub-Zero. Para obtener más información acerca de los distribuidores locales, consulte la sección "encuentre una sala de exhibición" en nuestra página web subzero.com. También hay disponibles paneles laterales de acero inoxidable mediante los distribuidores autorizados Sub-Zero.

AVISO IMPORTANTE: El uso de paneles laterales puede cambiar el ancho de la abertura.

Un panel lateral personalizado debe tener una profundidad mínima de 24" (610) y un grosor de 1/2" (13). Será necesario usar una guía para que el panel lateral quede a ras contra el costado de la unidad. Revise las siguientes ilustraciones.

AVISO IMPORTANTE: La altura del panel lateral variará con la altura de la rejilla. Verifique la altura final antes de modificar los paneles.

AVISO IMPORTANTE: Para los modelos arriba y abajo (over-and-under) y con puertas francesas, será necesaria una guía adicional para dar cabida a la placa de la bisagra inferior del refrigerador.



Alineación

NIVELACIÓN

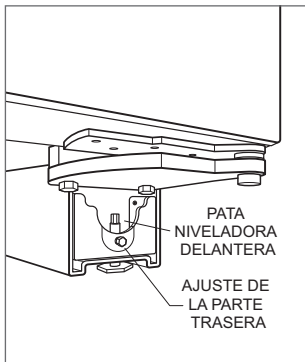
Una vez que la unidad está en posición, gire las patas niveladoras delanteras en sentido de las manecillas del reloj para ajustar la altura. El ajuste de la altura de la parte trasera se puede realizar desde la parte delantera de la base rodante. Con una llave de vaso de $\frac{3}{8}$ " gire $\frac{3}{8}$ " el perno hexagonal en sentido de las manecillas del reloj para levantar la unidad o en sentido opuesto a las manecillas del reloj para bajarla. Utilice la velocidad más baja de torsión cuando utilice un taladro eléctrico. No ajuste las patas niveladoras traseras con la mano. Consulte la siguiente ilustración.

Cuando la unidad está bien nivelada, no es tan necesario ajustar de las puertas y los cajones.

AVISO IMPORTANTE: Nivele la unidad con el suelo, no con los gabinetes que la rodean. Esto podría afectar el funcionamiento de la unidad, por ejemplo, el cerrado de la puerta.

▲ ADVERTENCIA

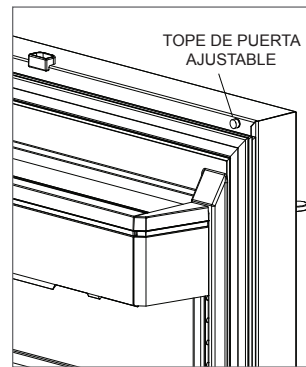
Para reducir la posibilidad de que la unidad se vuelque hacia adelante, las patas niveladoras delanteras deben estar en contacto con el suelo.



Nivelación

AJUSTE DE LA PUERTA

Las puertas de lado a lado y superpuestas son ajustables hacia adentro y hacia afuera, y se inclinan de lado a lado. Las puertas de lado a lado solo se pueden ajustar hacia arriba y hacia abajo y los lados de la manija se pueden ajustar hacia adentro y hacia afuera. Para ajustar el lado de la manija, gire el tope ajustable de la puerta. Consulte la siguiente ilustración.



Tope de puerta ajustable

Alineación

AJUSTE DE LA PUERTA

Para hacer todos los demás ajustes, afloje los dos pernos de la bisagra superior con una llave de $\frac{1}{2}$ ". Consulte la siguiente ilustración.

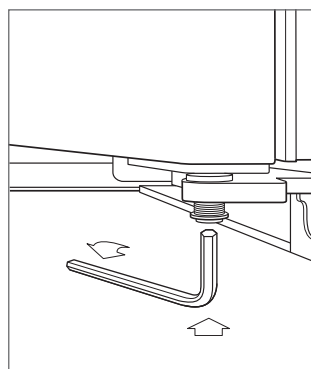
Ajuste hacia dentro y hacia fuera: Para puertas con bisagras a la izquierda, utilice una llave Allen de $\frac{5}{32}$ " para girar el perno de ajuste en el sentido de las agujas del reloj para ajustar el lado de la manija hacia adentro y en el sentido contrario a las agujas del reloj para ajustar hacia afuera. Invierta las direcciones para una puerta con bisagras a la derecha.

Ajuste de la inclinación lado a lado: Para puertas con bisagras a la izquierda, utilice una llave de $\frac{3}{8}$ " para girar el perno de ajuste en el sentido de las agujas del reloj para ajustar el lado de la manija hacia arriba y en el sentido contrario a las agujas del reloj para ajustar hacia abajo. Invierta las direcciones para una puerta con bisagras a la derecha.

Ajuste hacia arriba y hacia abajo: Para puertas con bisagras a la izquierda, utilice una llave Allen de $\frac{1}{4}$ " para girar el perno de ajuste en el sentido de las agujas del reloj para levantar la puerta y en el sentido contrario a las agujas del reloj para bajar. Invierta las direcciones para una puerta con bisagras a la derecha. Consulte la siguiente ilustración.



Pernos para ajustar la puerta

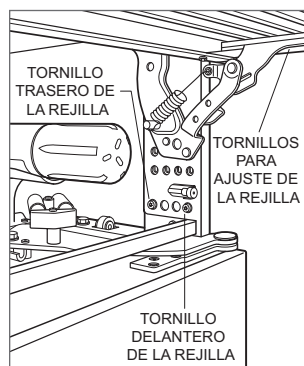


Ajuste de la puerta hacia arriba y hacia abajo

Finalización

INSTALACIÓN DE LA REJILLA

Instale el conjunto de la rejilla y compruebe que se ajusta adecuadamente. La rejilla está diseñada para descansar en la bisagra (o bisagras) superior de la puerta para minimizar la vista entre la parte superior de la puerta y la parte inferior de la rejilla. Para eliminar la interferencia, puede ajustar la altura de la rejilla. Afloje los cuatro tornillos de ajuste de la rejilla (dos en cada lado) y ajuste la altura de la rejilla según sea necesario. Consulte la siguiente ilustración.



Ajuste de la altura de la rejilla

Finalización

ANCLAJE

Después de nivelar la unidad y completar el ajuste de la puerta, fije la unidad a la abertura para asegurarse de que esté bien ajustada y la instalación sea segura.

Para fijar la parte superior de la unidad, abra la rejilla e instale los tornillos suministrados, en los gabinetes a través del marco de la rejilla. Hay orificios en varios lugares. Consulte la siguiente ilustración. Abra la puerta para comprobar que ésta abre sin problemas.

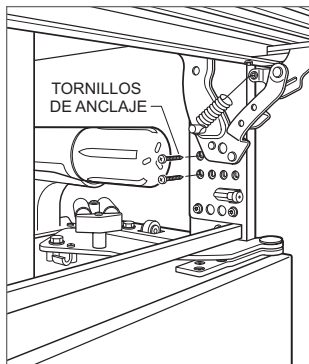
Para fijar la parte inferior de la unidad, introduzca un tornillo a través del orificio lateral dentro de cada conjunto de la base rodante. El tornillo debe entrar en un ángulo para que quede bien sujeto. Consulte la siguiente ilustración. Puede necesitar material adicional detrás de la cornamusa para asegurar que la unidad tenga un buen anclaje.

⚠ PRECAUCIÓN

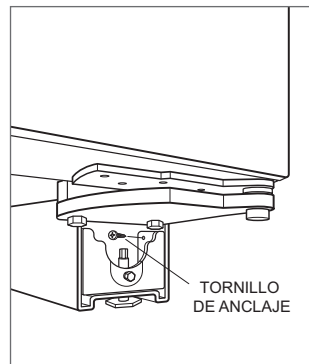
Si los tornillos proporcionados no son adecuados para la instalación, utilice los tornillos adecuados.

⚠ ADVERTENCIA

Para evitar un peligro debido a la inestabilidad del electrodoméstico, se debe fijar este de acuerdo con las instrucciones.



Anclaje superior



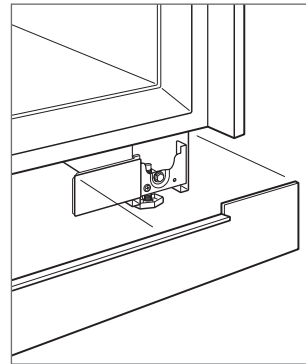
Anclaje inferior

INSTALACIÓN DEL ZÓCALO

Vuelva a instalar la bandeja de drenaje y compruebe que esté bien puesta.

Instale el zócalo y sujételo a los soportes con los imanes dentro de cada una de las bases rodantes. Consulte la siguiente ilustración. El zócalo debe ser desmontable para sacarlo cuando sea necesario hacerle servicio a la máquina. El suelo no debe interferir al desmontarlo. Consulte la etiqueta técnica en el zócalo para conocer la especificación de altura libre.

Para encender la unidad, pulse y mantenga presionado **I** en el panel de control.



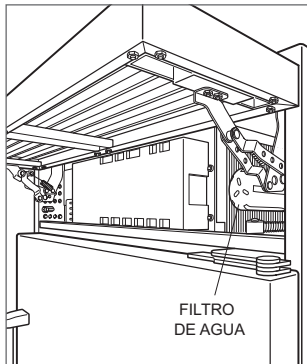
Instalación del zócalo

Finalización

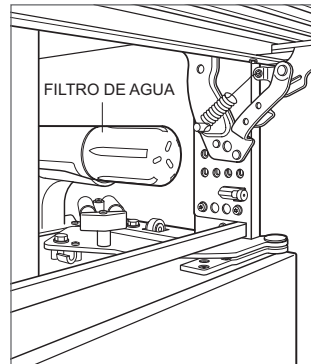
DESVIACIÓN DEL FILTRO DE AGUA

Si no va a utilizar el sistema de filtrado, puede colocarlo en el modo de desvío del filtro de agua mediante la extracción del filtro de agua. Consulte la siguiente ilustración. Siga estos pasos para extraer el filtro de agua:

- 1 Jale el borde inferior de la rejilla hacia fuera e incline el marco de la rejilla hacia arriba.
- 2 Para retirar el cartucho, gírelo un cuarto en sentido opuesto a las manecillas del reloj y jálelo. Consulte la siguiente ilustración.



Ubicación del filtro de agua



Extracción del filtro de agua

TOPE PARA PUERTA A 90°

Las puertas de todos los modelos abren a 110°. Un tope de para puerta a 90° se proporciona con la unidad (éste se encuentra detrás de la rejilla). Hay kits adicionales de topes para puerta a 90° disponibles a través de un distribuidor autorizado de Sub-Zero.

⚠ ADVERTENCIA

Siga todas las leyes estatales y locales para almacenar, reciclar o desechar los refrigeradores y congeladores no utilizados.

Table des matières

- 3 Réfrigération série Classic
- 4 Dimensions de l'ouverture
- 8 Installation double
- 8 Électricité
- 9 Plomberie
- 9 Préparation
- 10 Support antibasculement
- 12 Emplacement
- 12 Conduite d'alimentation en eau
- 13 Installation des panneaux
- 16 Alignement
- 17 Achèvement

Les caractéristiques et les spécifications peuvent être modifiées en tout temps sans préavis. Visitez subzero.com/specs pour obtenir les renseignements les plus récents.

Remarque importante

Pour s'assurer que ce produit est installé et utilisé en toute sécurité et aussi efficacement que possible, prenez note des types de renseignement mis en évidence tout au long de ce guide :

REMARQUE IMPORTANTE met en évidence des renseignements qui sont particulièrement importants.

▲ MISE EN GARDE

Indique une situation où une blessure mineure ou des dommages au produit peuvent se produire si les directives ne sont pas respectées.

▲ AVERTISSEMENT

Décrit un danger qui peut causer une blessure grave ou la mort si les précautions ne sont pas respectées.

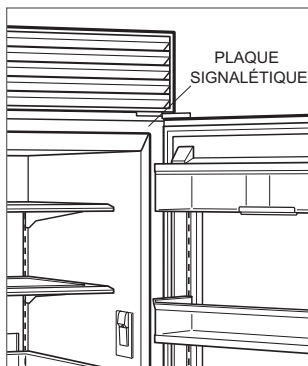
REMARQUE IMPORTANTE : Tout au long de ce guide, les dimensions entre parenthèses sont en millimètres à moins d'indication contraire.

REMARQUE IMPORTANTE : Conservez ces directives pour l'inspecteur en électricité local.

Renseignements sur le produit

Des renseignements importants sur le produit, y compris les numéros de modèle et de série, se trouvent sur la plaque signalétique du produit. La plaque signalétique est située sur le cadre supérieur de l'unité à l'intérieur de la porte. Reportez-vous à l'illustration ci-dessous.

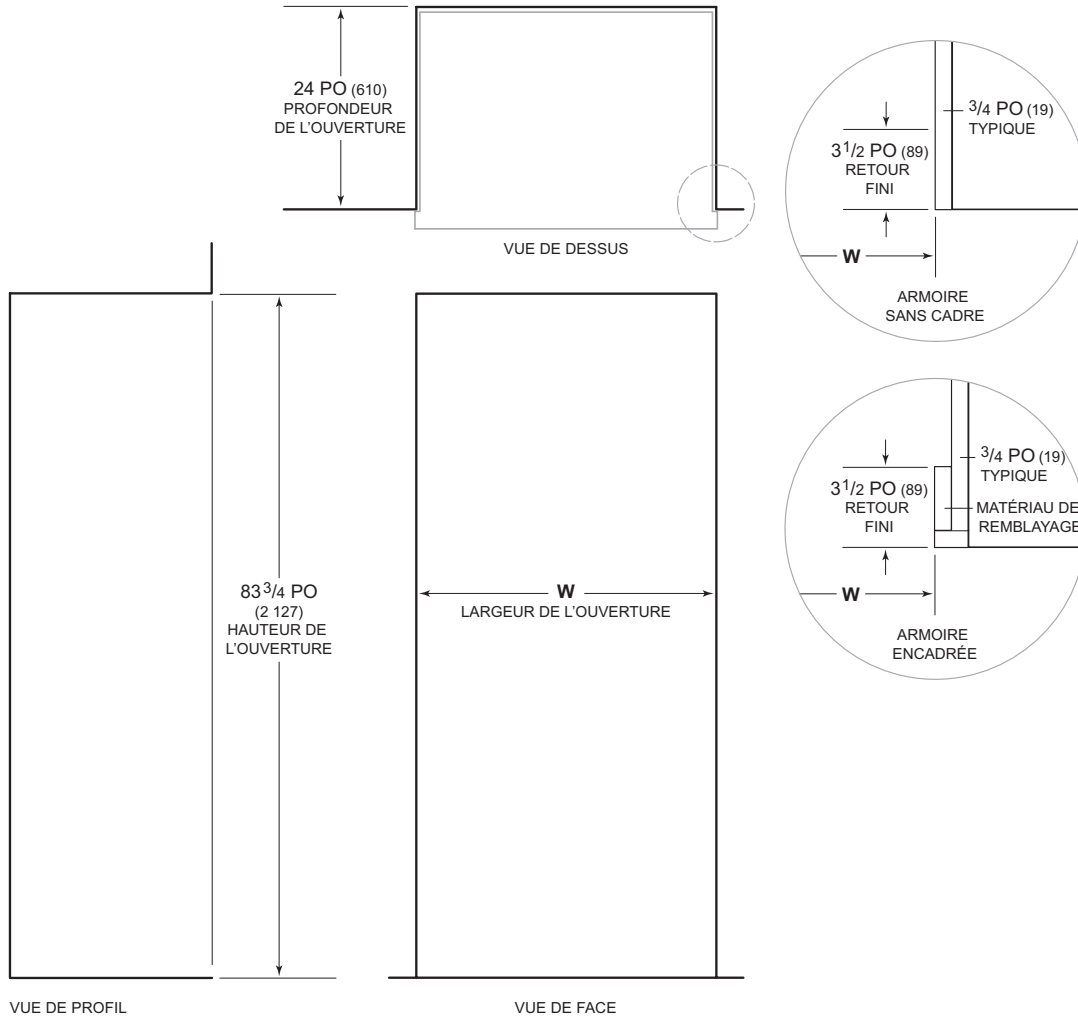
Si vous avez besoin de service, communiquez avec le service Sub-Zero certifié par l'usine avec les numéros de modèle et de série. Pour obtenir le nom du centre de service Sub-Zero certifié par l'usine le plus près de chez vous ou si vous avez des questions concernant l'installation, consultez la section Assistance produits de notre site Web, subzero.com, ou appelez le service à la clientèle de Sub-Zero au 800-222-7820.



Emplacement de la plaque signalétique

Dimensions de l'ouverture

INSTALLATION STANDARD



REMARQUE : Les retours finis de 3 1/2 po (89) seront visibles et doivent être finis pour s'agencer aux armoires.
La ligne ombragée représente le profil de l'unité.

LARGEUR DE L'OUVERTURE

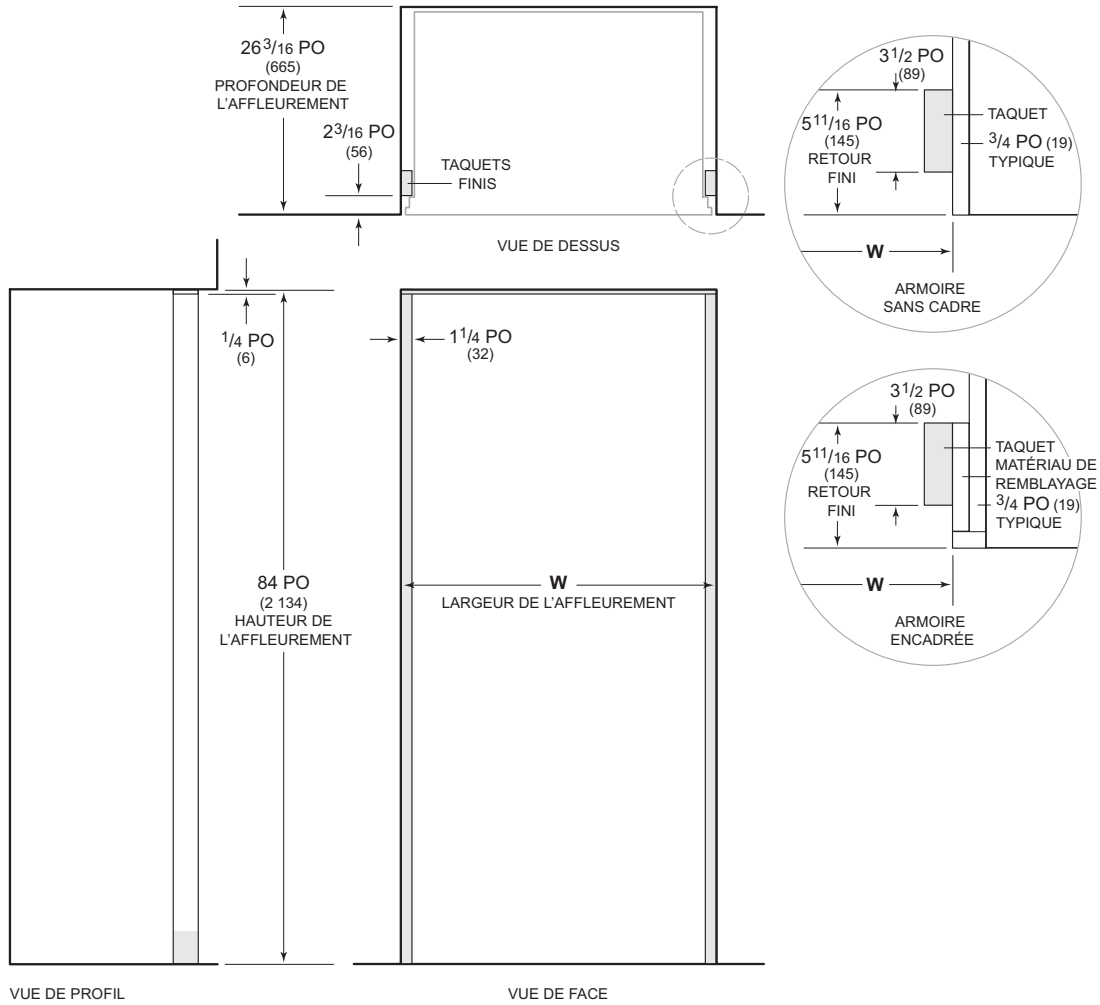
W

Modèle de 30 po	29 1/2 po (749)
Modèle de 36 po	35 1/2 po (902)
Modèle de 42 po	41 1/2 po (1 054)
Modèle de 48 po	47 1/2 po (1 206)

Si deux unités sont installées côte à côte, reportez-vous à la page 6.

Dimensions de l'ouverture

INSTALLATION À AFFLEUREMENT



REMARQUE : Les retours finis de 3 1/2 po (89) seront visibles et doivent être finis pour s'agencer aux armoires.
La ligne ombragée représente le profil de l'unité avec un panneau de 3/4 po (19).

LARGEUR DE L'AFFLEUREMENT

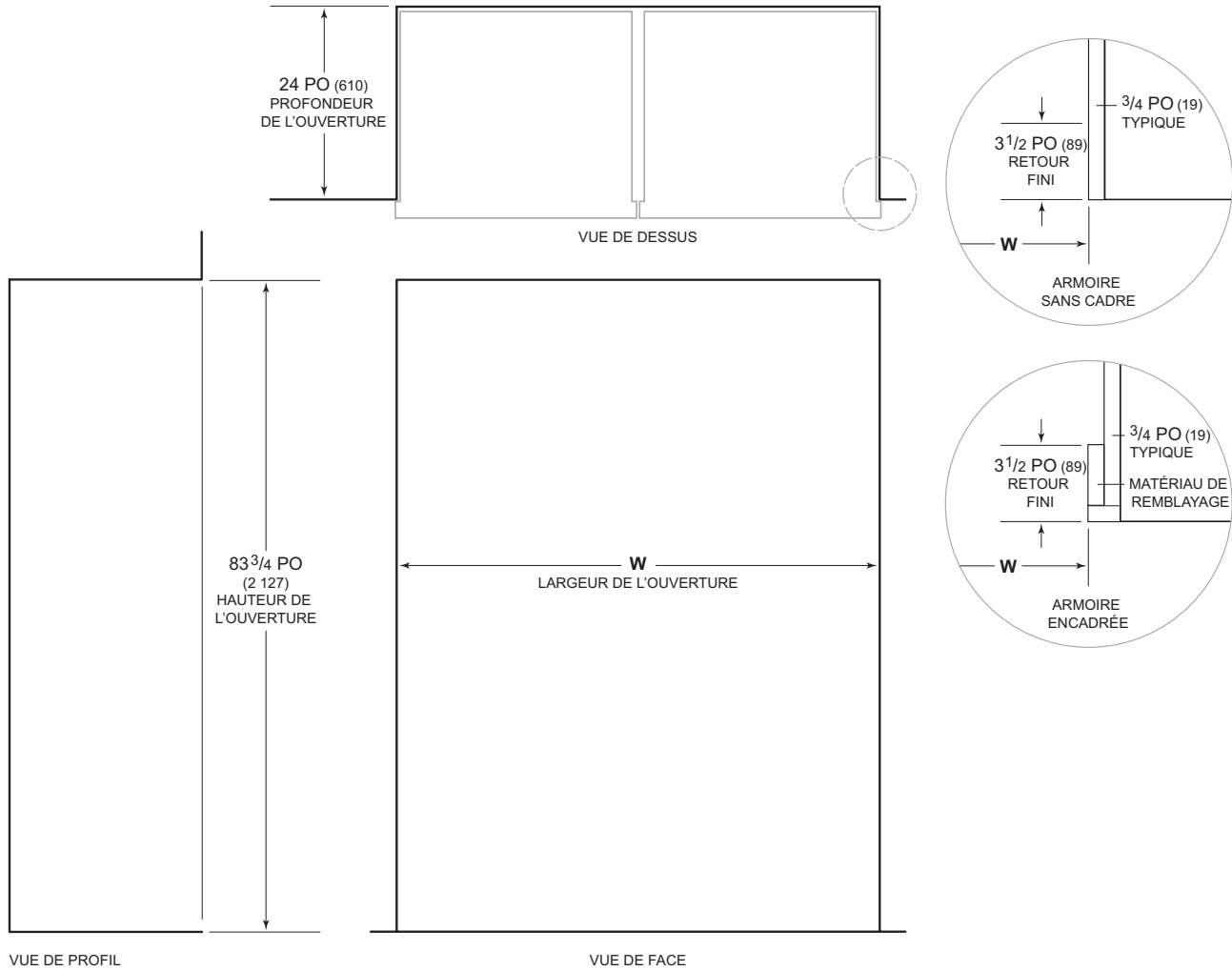
W

Modèle de 30 po	32 po (813)
Modèle de 36 po	38 po (965)
Modèle de 42 po	44 po (1118)
Modèle de 48 po	50 po (1270)

Les dimensions assument une épaisseur de panneau de 3/4 po (19). Si deux unités sont installées côté à côté, reportez-vous à la page 7.

Dimensions de l'ouverture

INSTALLATION DOUBLE STANDARD



REMARQUE : Les retours finis de 3 1/2 po (89) seront visibles et doivent être finis pour s'agencer aux armoires.
La ligne ombragée représente le profil de l'unité.

LARGEUR D'OUVERTURE DOUBLE

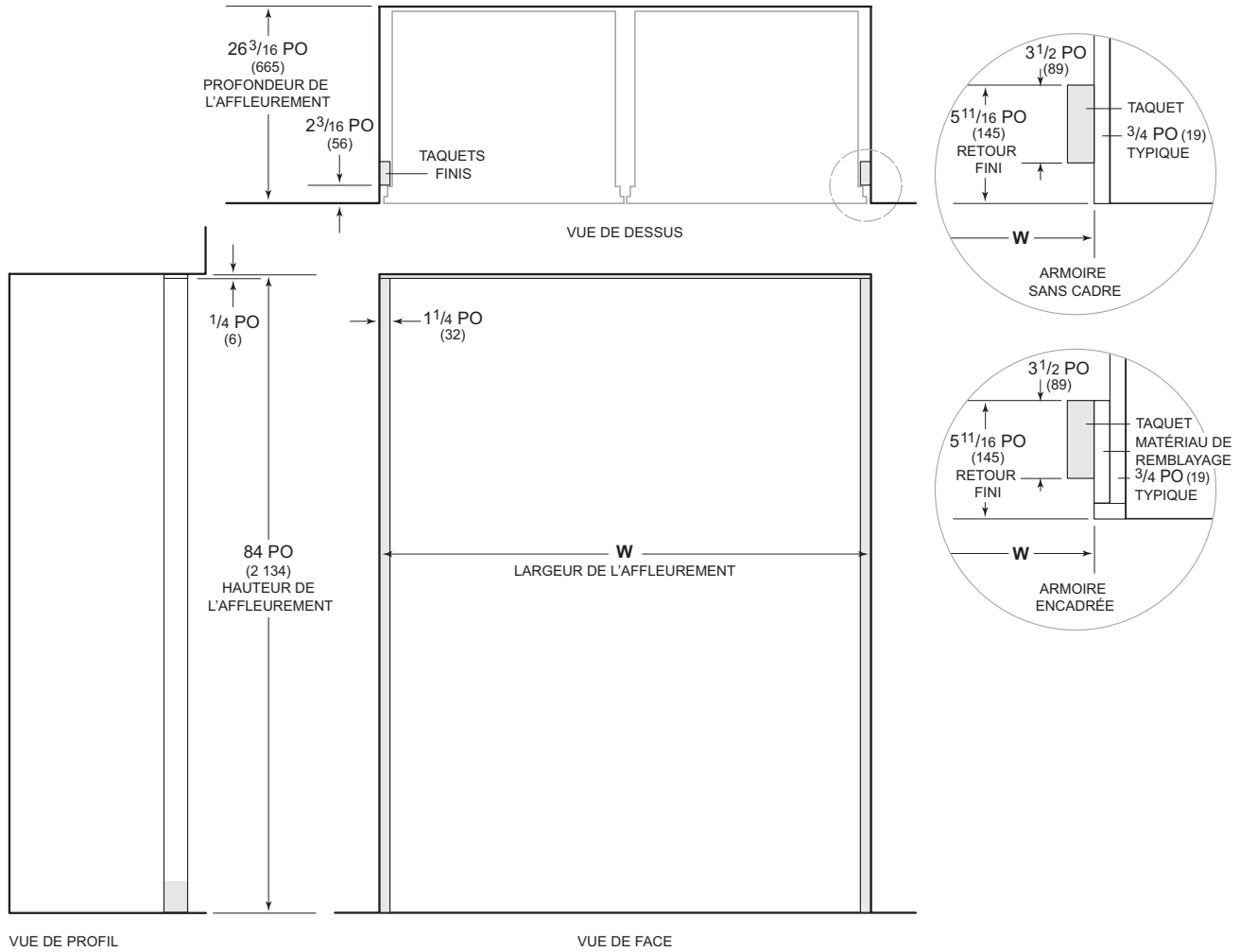
W

Deux modèles de 30 po	59 1/4 po (1 518)
Modèles de 30 po et 36 po	65 3/4 po (1 670)
Deux modèles de 36 po	71 3/4 po (1 822)

Une trousse d'installation double est requise pour cette installation.

Dimensions de l'ouverture

INSTALLATION DOUBLE À AFFLEUREMENT



REMARQUE : Les retours finis de 3 1/2 po (89) seront visibles et doivent être finis pour s'agencer aux armoires.
La ligne ombragée représente le profil de l'unité avec un panneau de 3/4 po (19).

LARGEUR DOUBLE DE L'AFFLEUREMENT

W

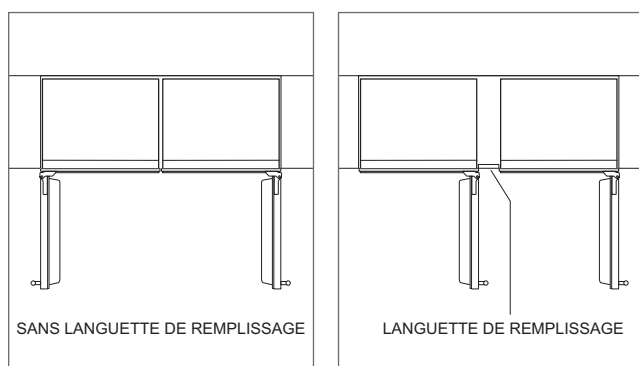
Deux modèles de 30 po	62 1/4 po (1 581)
Modèles de 30 po et 36 po	68 1/4 po (1 734)
Deux modèles de 36 po	74 1/4 po (1 886)

Les dimensions assument une épaisseur de panneau de 3/4 po (19). Une trousse d'installation double est requise pour cette installation.

Installation double

Si deux unités sont installées côté à côté, une trousse d'installation double pourra être requise. Les installations sans languette de remplissage personnalisée nécessitent une trousse d'installation double. Si une trousse d'installation double n'est pas précisée, une languette de remplissage de 2 po (51) est recommandée entre les unités. Les installations doubles sans languette de remplissage ne peuvent être réussies qu'en utilisant deux unités avec des charnières opposées. Reportez-vous aux illustrations ci-dessous.

Les trusses d'installation double sont offertes par les dépositaires Sub-Zero autorisés. Pour obtenir des renseignements sur votre dépositaire local, visitez la section salle d'exposition de notre site Web, subzero.com. Si vous avez des questions au sujet de l'installation, communiquez avec le service à la clientèle de Sub-Zero au 800-222-7820.



Charnières opposées

Charnières du même côté

Exigences électriques

L'installation doit se conformer à tous les codes électriques applicables. L'alimentation électrique doit se trouver à l'intérieur de la zone ombragée indiquée dans l'illustration ci-dessous. Un circuit séparé servant uniquement cet appareil est requis. Un disjoncteur de fuite de terre (GFCI) n'est pas recommandé et peut interrompre le fonctionnement.

EXIGENCES ÉLECTRIQUES

Alimentation électrique	115 volts CA, 60 Hz
Service	circuit dédié de 15 ampères
Prise	mise à la terre à trois broches

⚠ MISE EN GARDE

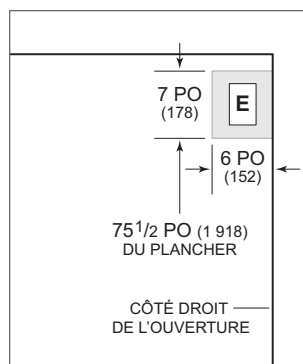
La prise doit être vérifiée par un électricien qualifié pour s'assurer qu'elle est câblée avec la polarité appropriée. Assurez-vous que la prise est correctement mise à la terre.

⚠ AVERTISSEMENT

Si le cordon d'alimentation est endommagé, il doit être remplacé par le fabricant, son agent de service ou des personnes de qualification similaire afin d'éviter tout danger.

⚠ AVERTISSEMENT

N'utilisez pas une rallonge, un adaptateur à deux broches et ne retirez pas la broche de mise à la terre du cordon d'alimentation.



Emplacement de l'alimentation électrique

Exigences de plomberie

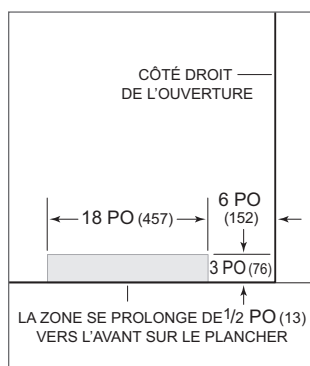
L'installation doit se conformer à tous les codes de plomberie applicables.

Le tuyau d'alimentation en eau doit se trouver à l'intérieur de la zone ombragée indiquée dans l'illustration ci-dessous. La conduite d'alimentation en eau doit être reliée à l'alimentation de la maison avec un robinet d'arrêt facilement accessible. N'utilisez pas des vannes à auto-perçage. Le tuyau d'alimentation en eau ne doit pas nuire à l'installation des supports antibasculement.

Un système à osmose inverse peut être utilisé à condition qu'il y ait une pression d'eau constante de 35 à 120 lb/po² (2,4 à 8,3 bars) vers l'unité en tout temps. Dans cette application, le système de filtration doit être dérivé en retirant le filtre. Une conduite en cuivre n'est pas recommandée pour cette application.

EXIGENCES DE PLOMBERIE

Alimentation en eau	Tube PEX, en acier inoxydable tressé ou en cuivre de 1/4 po de diamètre extérieur
Pression	35-120 lb/po ² (2,4 à 8,3 bars)
Conduite supplémentaire pour connexion	36 po (914)



Emplacement de l'alimentation en eau

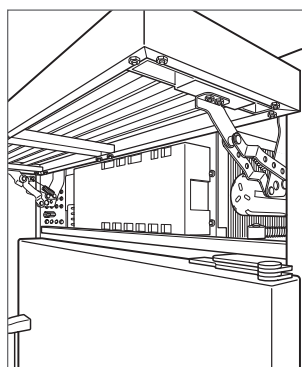
Préparation

Sortez l'unité de la boîte et examinez-la pour vous assurer qu'elle n'est pas endommagée. Retirez la base en bois et jetez les boulons et les supports d'expédition. Retirez et recyclez les matériaux d'emballage. Ne jetez pas la plaque de protection, les supports antibasculement et la quincaillerie.

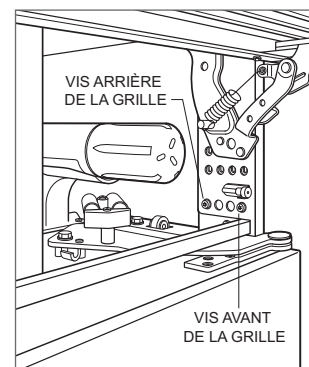
Rentrez complètement les pieds de nivellement avant afin de pouvoir déplacer l'unité jusqu'à son emplacement. Les pieds de nivellement avant et arrière peuvent être réglés à partir de l'avant lorsque l'unité est en place.

Retirez la cuvette d'égouttement de la base de l'unité pour éviter de l'endommager et permettre de bien placer le chariot à appareil.

L'assemblage de la grille doit être retiré avant de déplacer l'unité. Pour retirer, tirez le rebord inférieur de la grille vers l'extérieur et tournez-le vers le haut. Desserrez les deux vis de montage arrière de la grille et retirez les deux vis de montage avant de la grille. Reportez-vous aux illustrations ci-dessous. En tenant la grille fermement, tirez vers l'avant pour la retirer.



Retrait de la grille



Vis de montage de la grille

Support antibasculement

⚠ AVERTISSEMENT

Pour empêcher l'unité de basculer vers l'avant, les supports antibasculement doivent être installés.

Les deux supports antibasculement doivent être installés à une distance exacte de 24 po (610) de l'avant de l'ouverture jusqu'à l'arrière des supports et à une distance d'au moins 4 po (102) des côtés de l'ouverture. Cette profondeur augmentera à 26 $\frac{3}{16}$ po (665) pour une installation à affleurement avec des panneaux de $\frac{3}{4}$ po (19) d'épaisseur. Si les supports antibasculement ne sont pas alignés adéquatement, ils ne s'enclencheront pas correctement.

Utilisez toute la quincaillerie pour le support antibasculement selon les directives pour les planchers en bois ou en béton.

REMARQUE IMPORTANTE : Pour les applications sur des planchers en bois ou en béton, si les vis n° 12 ne touchent pas un poteau mural ou une plaque murale, utilisez les vis n° 8 et les rondelles n° 12 avec les dispositifs d'ancrage au mur.

REMARQUE IMPORTANTE : Dans certaines installations, le sous-plancher ou le plancher fini peuvent nécessiter l'inclinaison des vis utilisées pour fixer les supports antibasculement au mur arrière.

QUINCAILLERIE ANTIBASCULEMENT

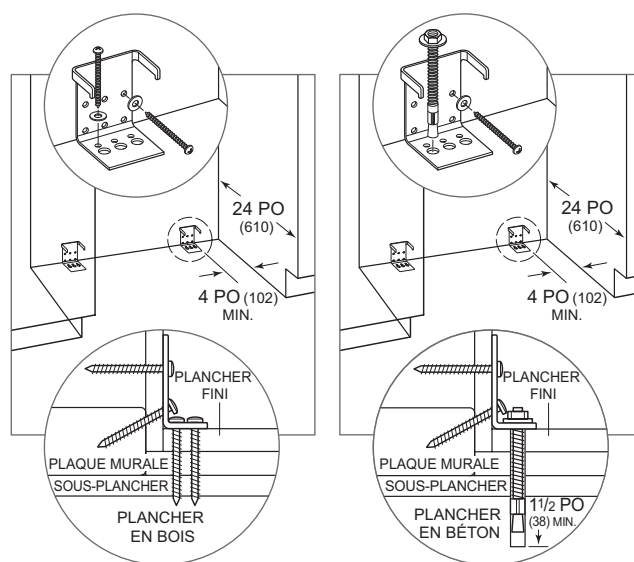
2	Supports antibasculement
12	Vis à tête cylindrique bombée n° 12 x 2 $\frac{1}{2}$ po
4	Cales d'ancrage de $\frac{3}{8}$ po-16 x 3 $\frac{3}{4}$ po
12	Rondelles plates n° 12
4	Vis à tête bombée n° 8-18 x 1 $\frac{1}{4}$ po
4	Dispositifs d'ancrage au mur en nylon Zip-it ^{MD}

APPLICATION SUR UN PLANCHER EN BOIS

Après avoir correctement repéré les supports antibasculement dans l'ouverture préliminaire, percez des avant-trous de $\frac{3}{16}$ po (5) de diamètre au maximum dans les poteaux muraux ou la plaque murale. Utilisez les vis et les rondelles n° 12 pour fixer les supports. Vérifiez que les vis pénètrent dans le matériau du plancher et dans les poteaux muraux ou la plaque murale d'une distance d'au moins $\frac{3}{4}$ po (19). Reportez-vous à l'illustration ci-dessous.

APPLICATION SUR UN PLANCHER EN BÉTON

Après avoir correctement repéré les supports antibasculement dans l'ouverture préliminaire, percez des avant-trous de $\frac{3}{16}$ po (5) de diamètre au maximum dans les poteaux muraux ou la plaque murale. Percez des trous de $\frac{3}{8}$ po (10) de diamètre dans le béton d'une profondeur d'au moins 1 $\frac{1}{2}$ po (38). Utilisez les vis et les rondelles n° 12 pour fixer les supports au mur et utilisez les cales d'ancrage de $\frac{3}{8}$ po (10) pour fixer les supports au plancher. Vérifiez que les vis pénètrent dans les poteaux muraux ou la plaque murale d'une profondeur d'au moins $\frac{3}{4}$ po (19). Reportez-vous à l'illustration ci-dessous.



Plancher en bois

Plancher en béton

Support antibasculement

INSTALLATION DE LA CALE D'ANCRAGE POUR BÉTON

- 1 Percez un trou de $\frac{3}{8}$ po (10) de diamètre de toute profondeur excédant le noyage minimal. Nettoyez le trou ou continuez à percer plus profondément pour accommoder les fines de perçage.
- 2 Assemblez la rondelle et l'écrou à égalité avec l'extrémité du dispositif d'ancrage pour protéger les filets. Enfoncez la cale d'ancrage dans le matériau à fixer jusqu'à ce que la rondelle soit à égalité avec la surface du matériau.
- 3 Ouvrez la cale d'ancrage en serrant l'écrou de trois à cinq tours au-delà de la position serrée à la main ou un couple de 33,9 N.m.

▲ AVERTISSEMENT

Vérifiez qu'il n'y ait pas de fils électriques ou de plomberie dans la zone qui pourraient être pénétrés par les vis.

▲ MISE EN GARDE

Portez toujours des lunettes de sécurité et utilisez d'autres dispositifs ou vêtements de protection nécessaires lors de l'installation ou du travail avec des dispositifs d'ancrage.

Il n'est pas recommandé d'utiliser des dispositifs d'ancrage dans de la maçonnerie légère comme des blocs ou de la brique, ou dans du nouveau béton qui n'a pas eu assez de temps pour sécher. L'utilisation de forets-aléseurs n'est pas recommandée pour percer les trous des cales d'ancrage.

Mise en place

▲ MISE EN GARDE

Avant de mettre l'unité en place, sécurisez la (les) porte(s) en position fermée et protégez tout plancher fini.

Utilisez un chariot à appareil pour déplacer l'unité près de l'ouverture.

Si l'unité a été posée sur le dos ou le côté, elle doit être mise debout pendant au moins 24 heures avant de relier l'alimentation.

Branchez le cordon d'alimentation dans une prise mise à la terre et roulez l'unité en place.

▲ CAUTION

Si le cordon d'alimentation est acheminé derrière la grille pour la gestion du cordon, vérifiez qu'il n'entre pas en contact avec la charnière de la porte.

Vérifiez que les supports antibasculement sont correctement enclenchés.

REMARQUE IMPORTANTE : Le cas échéant, les panneaux latéraux doivent être installés avant que l'unité soit placée dans sa position finale. Reportez-vous à la page 15.

Conduite d'alimentation en eau

Approximativement 3 pi (0,9 m) de tube en plastique de 1/4 po (6) est relié à l'unité au moyen d'une connexion de compression préassemblée de 1/4 po (6) sous l'unité. La trousse de connexion du raccord de la conduite d'alimentation en eau, fournie avec l'unité, comprend un raccord d'union de compression de 1/4 po (6) pour effectuer la connexion jusqu'à la conduite d'alimentation en eau de la résidence.

Purgez la conduite d'alimentation en eau avant d'effectuer la dernière connexion vers l'unité. Ceci éliminera tous les débris qui pourraient se trouver dans la conduite suite à l'installation de la nouvelle conduite d'alimentation en eau.

Placez l'écrou et le manchon sur le tuyau d'alimentation en eau et fixez à la connexion à l'extrémité du tube. Ne serrez pas trop. Vérifiez que tous les raccords de la conduite d'alimentation en eau n'aient pas de fuites. Vérifiez que la cuvette d'égouttement puisse être installée et retirée sans interférence de la part du tuyau d'alimentation eau.

REMARQUE IMPORTANTE : Si un système à osmose inverse est utilisé, il est recommandé que le système de filtration d'eau soit contourné en retirant le filtre.

REMARQUE IMPORTANTE : Les conduites d'alimentation en eau ne doivent pas être exposées au gel.

▲ AVERTISSEMENT

Raccorder uniquement à une alimentation en eau potable.

Panneaux personnalisés

Pour les applications à affleurement et à revêtement, des panneaux de porte et de grille personnalisés doivent être installés. La taille du panneau est critique pour obtenir un ajustement approprié. Pour vérifier les exigences et les dimensions des panneaux, reportez-vous au guide de conception Sub-Zero à subzero.com/specs.

REMARQUE IMPORTANTE : Les applications à affleurement nécessitent un jeu minimum de 1/2 po (13) de tous les côtés.

Finissez tous les côtés du panneau personnalisé. Ils pourront être visibles lorsque la porte est ouverte ou par la fenêtre des modèles à porte en verre.

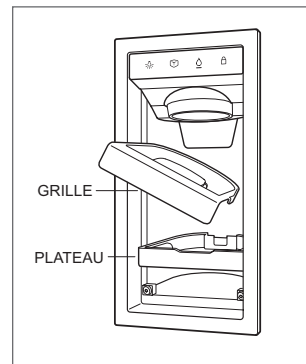
DISTRIBUTEUR EXTERNE

Pour les modèles à distributeur externe, la collerette du distributeur doit être retirée avant de pouvoir installer les panneaux personnalisés.

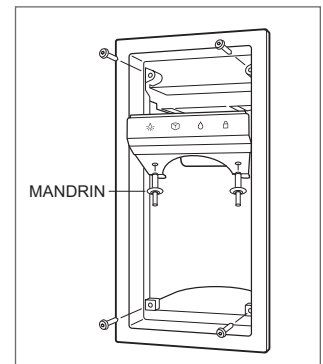
La collerette doit pouvoir accommoder un panneau d'une épaisseur minimale de 3/4 po (19). Les panneaux dont l'épaisseur est supérieure à 3/4 po (19) doivent être rabotés dans la zone du distributeur jusqu'à 1 1/8 po (29) (y compris les panneaux de soutien et d'espacement).

Pour retirer la collerette :

- 1 Soulevez, faites pivoter et retirez la grille.
- 2 Soulevez et retirez le plateau.
- 3 Retirez les poteaux du centre des rivets à pousser, puis retirez ces derniers du fond du panneau de commande.
- 4 Faites pivoter le panneau de commande vers le bas et débranchez le faisceau de fils.
- 5 Retirez les vis de chacun des coins de la collerette et tirez cette dernière vers l'avant.



Retrait du plateau et de la grille



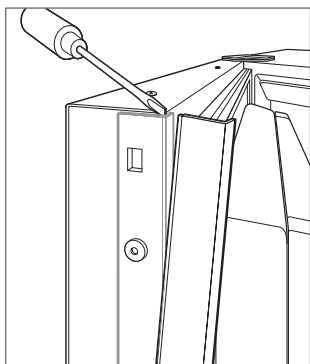
Retrait de la collerette du distributeur

Panneaux personnalisés

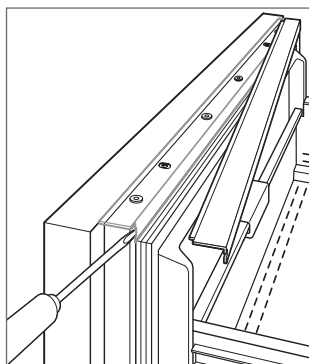
PANNEAUX DE PORTE

Pour installer des panneaux de porte personnalisés, retirez la moulure de la garniture latérale de la poignée. Insérez la pointe d'un tournevis dans la fente du coin supérieur du côté de la poignée et faites sortir la garniture. Pour le tiroir, insérez la pointe d'un tournevis dans la fente d'un côté ou l'autre de la garniture passant le long de la partie supérieure du tiroir et faites sortir la garniture. Retirez les vis et le cadre. Reportez-vous aux illustrations ci-dessous.

La porte possède un cadre de 1/4 po (6) dans lequel le panneau personnalisé peut se glisser. Si le panneau mesure plus de 1/4 po (6) d'épaisseur, rabotez une bordure autour du panneau ou installez le panneau sur une feuille de matériau de 1/4 po (6) d'épaisseur, puis insérez-le dans le cadre.



Garniture latérale de porte



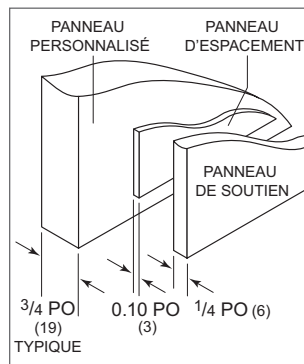
Garniture supérieure du tiroir

Un espace de 0,10 po (3) est requis entre le panneau de soutien et le panneau personnalisé pour permettre au panneau de se glisser dans le cadre de la porte. Reportez-vous à l'illustration ci-dessous pour connaître les dimensions critiques.

Installez la quincaillerie de poignée avant d'insérer le panneau. De grandes poignées en forme de D sont recommandées au lieu de boutons. Les têtes de vis doivent être fraisées dans le panneau.

Glissez le panneau dans le cadre.

Pour réinstaller la moulure de garnissage de la porte, insérez sa partie supérieure dans les rainures sur la partie supérieure de la porte et continuez vers le bas en enclenchant la garniture dans les pinces du cadre de la porte. Pour le tiroir, commencez à une extrémité et déplacez-vous vers l'extrémité opposée en enclenchant la garniture dans les pinces.



Assemblage du panneau
(vue arrière)

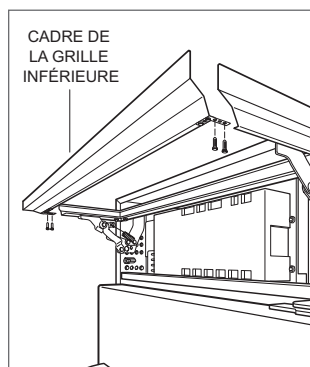
Panneaux personnalisés

PANNEAU DE LA GRILLE

Retirez le cadre inférieur de la grille en extrayant les vis des deux coins inférieurs de chaque côté de l'assemblage de la grille. Reportez-vous à l'illustration ci-dessous.

Une fois la section inférieure retirée, glissez le panneau de grille personnalisé dans le cadre. Si le panneau mesure moins de 1/4 po (6) d'épaisseur, un matériau de remplissage devra être installé pour obtenir un ajustement adéquat.

Une fois le panneau installé, remplacez le cadre inférieur de la grille en glissant les supports de coin en position, puis réinstallez les quatre vis de coin.



Assemblage du cadre de la grille

PANNEAU LATÉRAL

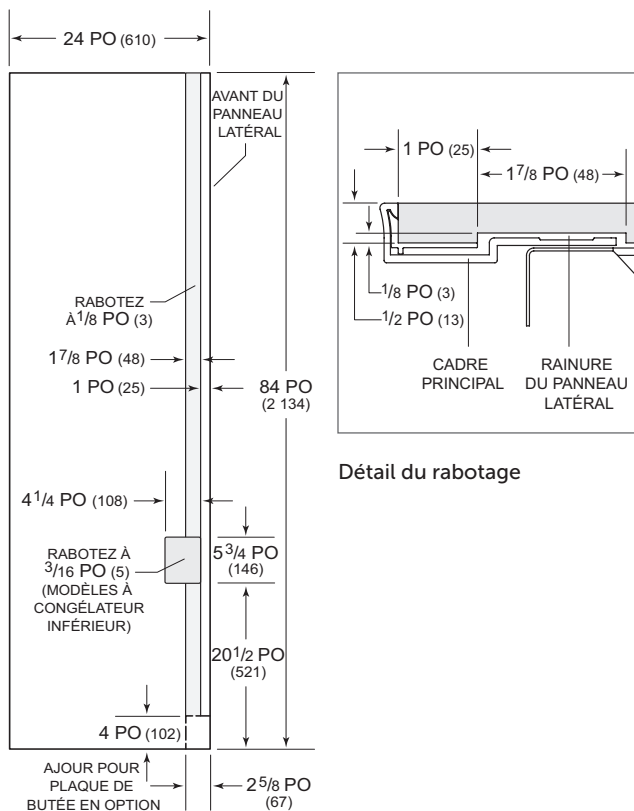
Lorsque vous installez un panneau latéral personnalisé, une trousse d'accessoire est requise et offerte par un dépositaire Sub-Zero autorisé. Pour obtenir des renseignements sur votre dépositaire local, visitez la section salle d'exposition de notre site Web, subzero.com. Des panneaux latéraux en acier inoxydable sont offerts par les dépositaires Sub-Zero autorisés.

REMARQUE IMPORTANTE : L'utilisation de panneaux latéraux peut modifier la largeur de l'ouverture.

Un panneau personnalisé doit mesurer au moins 24 po (610) de profondeur et 1/2 po (13) d'épaisseur. Il sera nécessaire d'effectuer une rainure afin que le panneau latéral soit affleuré contre le côté de l'unité.

REMARQUE IMPORTANTE : La hauteur du panneau latéral variera selon la hauteur de la grille. Vérifiez la hauteur finie avant de modifier les panneaux.

REMARQUE IMPORTANTE : Pour les modèles à congélateur inférieur et à portes à deux vantaux, une rainure supplémentaire sera nécessaire pour accommoder la plaque de charnière inférieure du réfrigérateur.



Dimensions des panneaux latéraux

Alignement

NIVELLEMENT

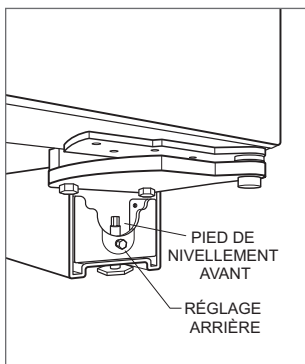
Une fois l'unité en position, tournez les pieds de nivellement avant dans le sens horaire pour régler la hauteur. Le réglage de la hauteur arrière peut être effectué à partir de l'avant de la base à roulettes. Au moyen d'une douille de $\frac{3}{8}$ po (9), tournez le boulon hexagonal de $\frac{3}{8}$ po (9) dans le sens horaire pour relever l'unité ou dans le sens antihoraire pour l'abaisser. Utilisez le réglage de couple le plus bas lorsque vous utilisez une perceuse électrique. Ne tournez pas les pieds de nivellement arrière à la main. Reportez-vous à l'illustration ci-dessous.

Lorsque l'unité est correctement mise au niveau, des réglages à la porte et au tiroir ne seront probablement pas nécessaires.

REMARQUE IMPORTANTE : Nivelez l'unité en fonction du plancher, pas des armoires environnantes. Cela pourrait affecter le fonctionnement de l'unité, comme la fermeture de la porte.

▲ AVERTISSEMENT

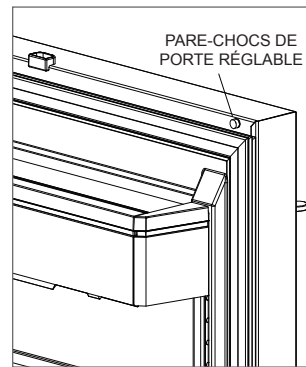
Afin de réduire le risque de basculement vers l'avant de l'unité, les pieds de nivellement avant doivent être en contact avec le sol.



Nivellement

RÉGLAGE DE LA PORTE

Les portes côte à côte et superposées sont réglables vers l'intérieur et vers l'extérieur et s'inclinent d'un côté à l'autre. Les portes côte à côte sont uniquement réglables de haut en bas et les côtés de la poignée sont réglables vers l'intérieur et vers l'extérieur. Pour régler le côté poignée, tournez le pare-chocs de porte réglable. Reportez-vous à l'illustration ci-dessous.



Pare-chocs de porte réglable

Alignement

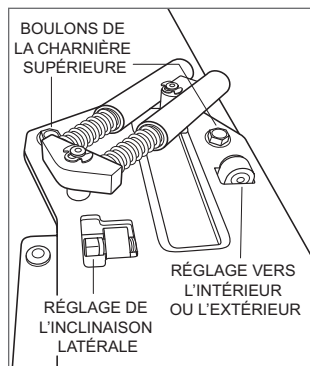
RÉGLAGE DE LA PORTE

Pour effectuer tous les autres réglages, desserrez les deux boulons de la charnière supérieure à l'aide d'une clé de 1/2". Reportez-vous à l'illustration ci-dessous.

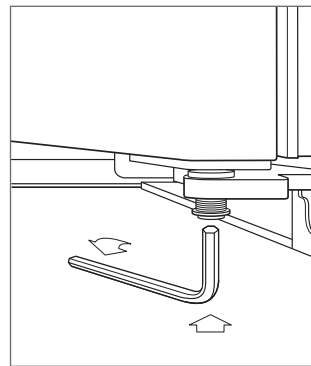
Réglage vers l'intérieur ou l'extérieur : Pour les portes à charnière à gauche, utilisez une clé Allen de 5/32 po pour tourner le boulon de réglage dans le sens des aiguilles d'une montre pour régler le côté de la poignée vers l'intérieur et dans le sens antihoraire pour régler vers l'extérieur. Inversez les directions pour une porte à charnière à droite.

Réglage de l'inclinaison d'un côté à l'autre : Pour les portes à charnière à gauche, utilisez une clé de 3/8 po pour tourner le boulon de réglage dans le sens des aiguilles d'une montre pour régler le côté de la poignée vers le haut et dans le sens antihoraire pour régler vers le bas. Inversez les directions pour une porte à charnière à droite.

Réglage de haut en bas : Pour les portes à charnière à gauche, utilisez une clé Allen 1/4" pour tourner le boulon de réglage dans le sens des aiguilles d'une montre pour soulever la porte et dans le sens antihoraire pour l'abaisser. Inversez les directions pour une porte à charnière à droite. Reportez-vous à l'illustration ci-dessous.



Boulons de réglage de la porte

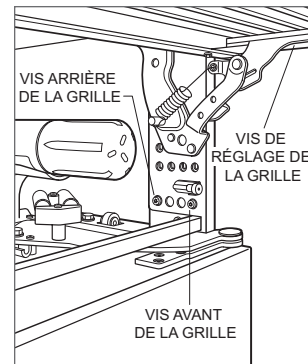


Réglage de haut en bas de la porte

Achèvement

INSTALLATION DE LA GRILLE

Installez l'assemblage de la grille et vérifiez son ajustement. La grille est conçue pour être appuyée sur la (les) charnière(s) de porte supérieure(s) afin de minimiser le jeu entre le dessus de la porte et le bas de la grille. Pour éliminer l'interférence, la hauteur de la grille peut être réglée. Desserrez les quatre vis de réglage de la grille (deux de chaque côté) et réglez la hauteur de la grille au besoin. Reportez-vous à l'illustration ci-dessous.



Réglage de la hauteur de la grille

Achèvement

ANCRAGE

Une fois l'unité mise au niveau et le réglage de la porte terminé, ancrez l'unité à l'ouverture pour assurer un ajustement adéquat et sécuriser l'installation.

Pour ancrer la partie supérieure de l'unité, ouvrez la grille et installez les vis fournies à travers le cadre de la grille dans les armoires. Il y a plusieurs emplacements de trous. Reportez-vous à l'illustration ci-dessous. Vérifiez le dégagement de la porte en l'ouvrant.

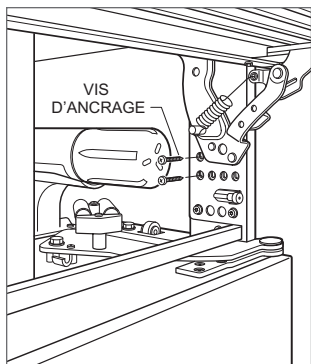
Pour ancrer la partie inférieure de l'unité, vissez une vis dans le trou latéral à l'intérieur de chaque assemblage de base de roulettes. La vis doit entrer en angle pour qu'elle se fixe correctement. Reportez-vous à l'illustration ci-dessous. Des matériaux supplémentaires peuvent être requis derrière le taquet pour assurer un ancrage suffisant.

▲ MISE EN GARDE

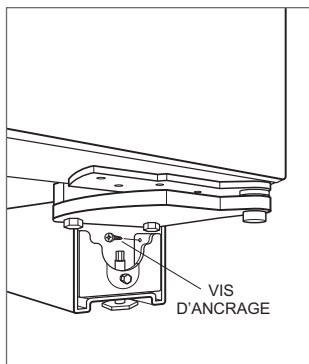
Si les vis fournies ne sont pas appropriées pour l'installation, utilisez des vis adéquates.

▲ AVERTISSEMENT

Pour éviter tout danger associé à l'instabilité de l'appareil, elle doit être corrigée conformément aux directives.



Ancrage supérieur




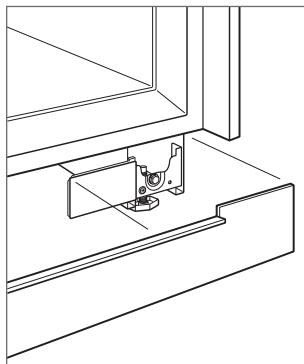
Ancrage inférieur

INSTALLATION DE LA PLAQUE DE PROTECTION

Réinstallez la cuvette d'égouttement et vérifiez qu'elle se trouve à la bonne position.

Installez la plaque de protection au moyen des aimants pour la fixer aux supports situés à l'intérieur de chaque base de roulettes. Reportez-vous à l'illustration ci-dessous. La plaque de protection doit pouvoir être enlevée pour toute réparation. Le plancher ne doit pas nuire à l'enlèvement. Reportez-vous à l'étiquette se trouvant sur le support de la plaque de protection pour connaître la hauteur de dégagement.

Pour mettre l'unité en marche, enfoncez et tenez la touche  sur le panneau de commande.



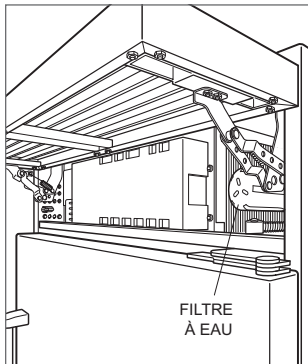
Installation de la plaque de protection

Achèvement

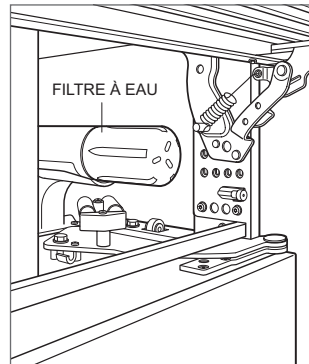
DÉRIVATION DU FILTRE À EAU

Si le système de filtration d'eau n'est pas utilisé, il peut être mis en mode de dérivation du filtre à eau en retirant le filtre à eau. Reportez-vous à l'illustration ci-dessous. Suivez ces étapes pour retirer le filtre à eau :

- 1 Tirez le rebord inférieur de l'assemblage de la grille et inclinez le cadre de la grille vers le haut.
- 2 Pour retirer la cartouche, faites-la pivoter dans le sens antihoraire d'un quart de tour et tirez vers l'extérieur. Reportez-vous à l'illustration ci-dessous.



Emplacement du filtre à eau



Retrait du filtre à eau

BUTÉE DE PORTE DE 90°

Les portes de tous les modèles s'ouvrent jusqu'à 110°. Une butée de porte de 90° est fournie avec l'unité (située derrière la grille). D'autres trousseaux de butée de porte à 90° sont offerts par les dépositaires Sub-Zero autorisés.

⚠ AVERTISSEMENT

Respectez toutes les lois provinciales et locales lors de l'entreposage, le recyclage ou l'élimination des réfrigérateurs et des congélateurs non utilisés.



SUB-ZERO, INC. P.O. BOX 44848 MADISON, WI 53744 SUBZERO.COM 800.222.7820

9045824 REV-D

8/2022

