



## Features and Benefits

- 15 inch pedestal for washer or dryer increases machine height for easy access and includes storage drawer for even more convenience
- This Pedestal Was Designed Specifically for Bosch Dryers

Notes: All height, width and depth dimensions are shown in inches. \*Please refer to installation instructions prior to making cutout. BSH reserves the absolute and unrestricted right to change product materials and specifications, at any time, without notice. Consult the product's installation instructions for final dimensional data and other details. Applicable product warranty can be found in a accompanying product literature or you may contact your account manager for further details.

For more information on our entire line of products, go to [boschappliances.com](http://boschappliances.com) or call 1-800-944-2904.

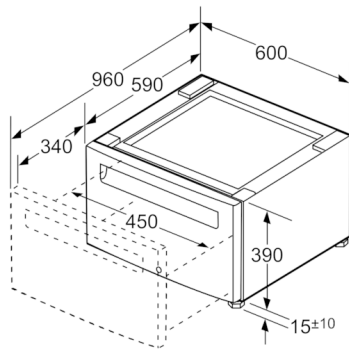
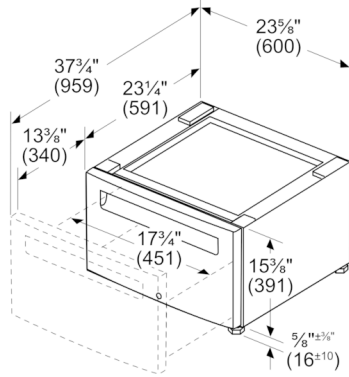
Copyright ©2020 BSH Home Appliances Corporation. All rights reserved. Bosch is a registered trademark of Robert Bosch GmbH.

Litho Date: 10/2020

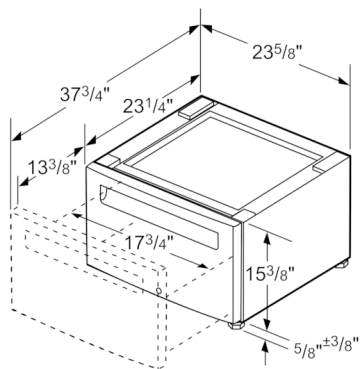
# Pedestal With Drawer for 24" Dryer



measurements in inches (mm)



measurements in mm



measurements in inch

## Features

		Accessory
Brand	Bosch	
Product name / series name		
SKU	WTZPW20D	
Internal article number	00000000017005339	
EAN code	4242005255047	
Product packaging dimensions (HxWxD) (in)		
	38	
	44	
Quantity per packing unit		
Standard number of units per pallet		
UPC code	825225964339	
	MCSA00523695_D5068_Perspektivisch_Schublade_	

## Technical Specification

Notes: All height, width and depth dimensions are shown in inches. \*Please refer to installation instructions prior to making cutout. BSH reserves the absolute and unrestricted right to change product materials and specifications, at any time, without notice. Consult the product's installation instructions for final dimensional data and other details. Applicable product warranty can be found in a accompanying product literature or you may contact your account manager for further details.

For more information on our entire line of products, go to [boschappliances.com](http://boschappliances.com) or call 1-800-944-2904.

Copyright ©2020 BSH Home Appliances Corporation. All rights reserved. Bosch is a registered trademark of Robert Bosch GmbH.

Litho Date: 10/2020