

# PSS93BP/YP

## GE Profile™ 30" Smart Slide-In Electric Convection Fingerprint Resistant Range with No Preheat Air Fry

### DIMENSIONS AND INSTALLATION INFORMATION (IN INCHES)

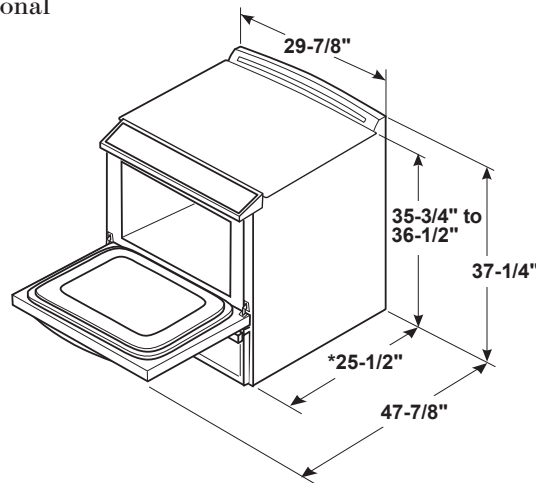
**RECEPTACLE LOCATIONS:** Locally approved flexible service cord or conduit must be used because terminals are not accessible after range installation. See shaded area in drawing for location of electrical outlet box. Recommended outlet locations allow range to be installed directly against rear wall.

**NOTE:** This appliance has been approved for 0" spacing to adjacent surfaces above the cooktop. However, a 6" minimum spacing to surfaces less than 15" above the cooktop and adjacent cabinet is recommended to reduce exposure to steam, grease splatter and heat.

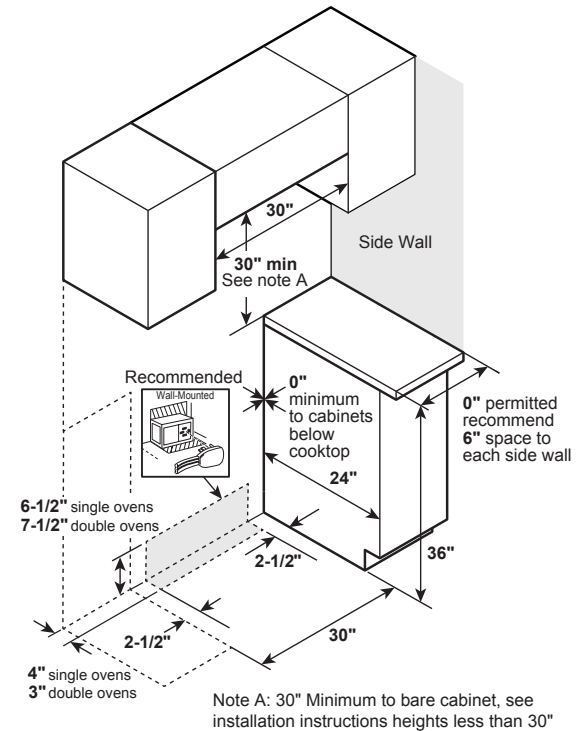
**INSTALLATION INFORMATION:** Before installing, consult installation instructions for current dimensional data and additional requirements

KW RATING	
240V	15.5
208V	11.6
BREAKER SIZE	
240V	40 Amps <sup>†</sup>
208V	40 Amps <sup>†</sup>

**†NOTE:** Check local codes for required breaker size.



\*Depth including door handle is approximately 28".



Note A: 30" Minimum to bare cabinet, see installation instructions heights less than 30"



For answers to your Monogram, GE Café™, GE Profile™ or GE Appliances product questions, visit our website at [geappliances.com](http://geappliances.com) or call GE Answer Center® Service, 800.626.2000.



Specification Revised 8/21

# PSS93BP/YP

## *GE Profile™ 30" Smart Slide-In Electric Convection Fingerprint Resistant Range with No Preheat Air Fry*

### **FEATURES AND BENEFITS**

**No Preheat Air Fry** – With this air fryer right in the oven, you can cook healthier, crispier versions of your favorite foods. There's no preheat required and it shortens the cook time because every minute counts.

**Built-in WiFi** – This smart oven features built-in WiFi so you can control oven functions with the SmarthQ app on your smart device.

**Fingerprint Resistant Stainless** – A stainless finish that makes it easy to keep your appliances free of smudges and prints.

**Fit Guarantee** – This electric convection range will fit your existing 30" cut-out, or GE Appliances will help pay for modifications up to \$300.

**12"/9"/6" Power Boil element** – A power boiler produces concentrated heat for rapid boiling in a flexible 12-inch/9-inch/6-inch burner size, so you spend less time waiting and more time cooking.

**Synchronized elements** – Control two cooktop elements with a single button to create a bigger cooking surface for griddles.

**Touch controls** – Glide touch controls let you control the cooktop with the swipe of a finger and are easy to clean thanks to seamless integration.

**Synchronized clocks and lights** – Synchronize your oven and GE Appliances over-the-range microwave so that clocks are always matching and lights and ventilation automatically come on when a burner is activated with Chef Connect.

**True Convection with Precise Air** – This oven features True Convection, an advanced convection system that uses a third heating element and reversing fan for the highest level of heat and air circulation.

**Soft-close storage drawer** – A full-width drawer closes silently and softly at a touch, and provides space for kitchen storage.

**Fast preheat** – Preheat the oven quickly and cut down on preheat time with a speedy preheat feature.

**Steam clean** – A steam cleaning option cleans the oven cavity in a 30-minute cycle with less odor and heat.

Model PSS93BPTS – Black stainless

Model PSS93YPFS – Fingerprint Resistant Stainless Steel

