

# GGF500PV

## GE® 500 Series 30" Free-Standing Gas Range

### Dimensions and Installation Information (in inches)

Provide adequate clearances between the range and adjacent combustible surfaces. These dimensions must be met for safe use of your range.

Allow 30" (76.2 cm) minimum clearance between burners and bottom of unprotected wood or metal cabinet, or allow a 24" (61 cm) minimum when bottom of wood or metal cabinet is protected by no less than 1/4" (6.4 mm) thick flame-retardant millboard covered with no less than No. 28 MSG sheet metal (.015" [.38 mm] thick), .015" (.38 mm) thick stainless steel, .025" (0.64 mm) aluminum or .020" (0.5 mm) copper.

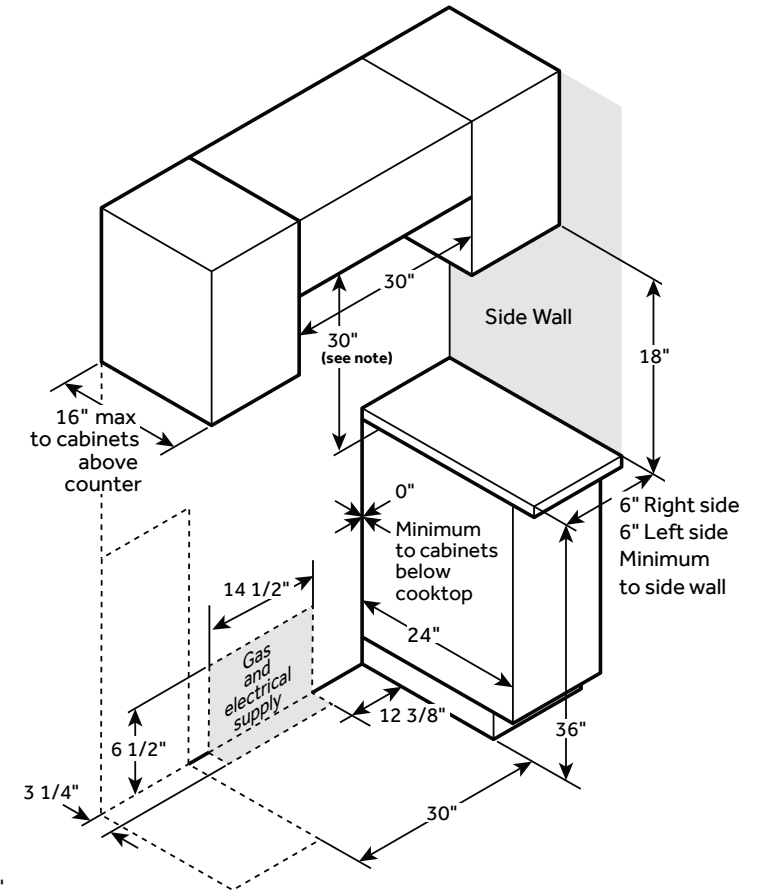
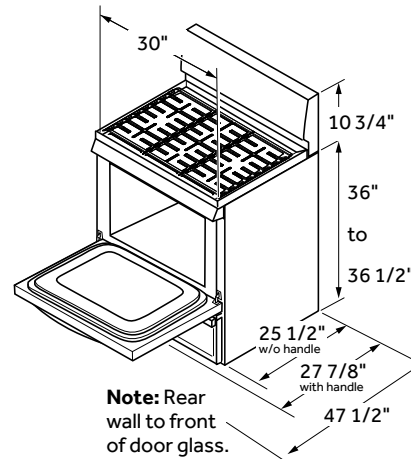
Installation of a listed microwave oven or cooking appliance over the cooktop shall conform to the installation instructions packed with that appliance.

For island installation, maintain 2-1/2" minimum from cutout to back edge of countertop and 3" minimum from cutout to side edges of countertop.

Before installing, consult installation instructions for current dimensional data and additional requirements.

**Electrical Rating:** 120V, 60Hz, 13A

**Breaker Size:** 15A



**Note:** Minimum to bare cabinet above; see Installation Instructions for alternate installation configurations.



For answers to your Monogram, Café™, GE Profile™ or GE Appliances product questions, visit our website at [geappliances.com](http://geappliances.com) or call GE Answer Center® Service, 800.626.2000.



All GE Appliances ranges are equipped with an Anti-Tip device. The installation of this device is an important, required step in the installation of the range.

Specification Revised 5/24

# GGF500PV

## GE® 500 Series 30" Free-Standing Gas Range

### Features and Benefits

**Crisp Mode** – Crisp Mode uses the bake and broil elements to deliver air fry-like results. Perfect for your favorite air-fried foods, this mode uses a preheat to get to temperature, then delivers fantastic crispy results.

**Express Preheat** - Get food on the table quicker thanks to a fast preheat oven. In just 7 minutes\*, you have a perfectly preheated oven. \*Preheats oven in just 7 minutes, bake mode to preheat beep, 350 degrees, one standard rack.

**5-Burner Gas** – Five powerful gas burners make for an efficient cooking experience on this expansive and flexible cooktop.

**Extra-Large Integrated Griddle** – With an integrated griddle that is 20% larger than leading competition, you can cook up to six grilled cheeses at once.

**15,000 BTU Power Boil™ Burner** – Boil water faster with a 15,000 BTU Power Boil™ element that delivers high heat for quick boiling.

**Edge-to-Edge Cooktop** – A large cooking surface gives you extra room for pots and pans of all sizes and lets cookware move easily from burner to burner.

**Center Oval Burner** – Custom cookware and griddles easily fit on this powerful fifth central oval burner that offers a flexible cooking solution.

**Precise Simmer Burner** – Prepare your delicate dishes over the low, even heat of this precise simmer burner.

**Self-Clean with Steam Clean** – Save time and effort by using the self-cleaning function for deep-clean situations or enjoy frequent cleanings without the need for kits or extra steps thanks to the steam clean oven function.

**Heavy-Duty, Dishwasher-Safe Grates** – Enjoy a safe and easy-to-clean solution thanks to these heavy-duty, dishwasher-safe grates.

**Oven Storage Drawer** – This model features a removable oven storage drawer that offers the perfect place to store cookware and other kitchen accessories.

**Large Capacity Oven** – Cook an entire meal at once with room to spare in this oven with 5.3 cubic foot capacity.

**In-Oven Broil** – This oven with full coverage broil element means hassle-free meal preparation with simple, in-oven broiling.

**New Easy-to-Use Controls** – Updated and improved controls allow for easy navigation of all cooking options and modes.

**Nickel Racks** – This gas range with nickel racks provides a durable design that handles heavy baking dishes with ease.

**Model GGF500PVWW** – White

**Model GGF500PVBB** – Black

**Model GGF500PVSS** – Stainless Steel

**Model GGF500PVES** – Slate



GE APPLIANCES