

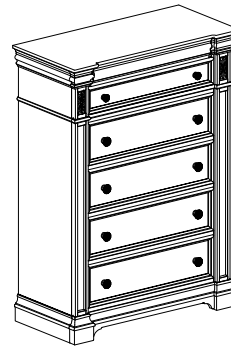
PARTS LIST / LISTE DES PIÈCES / LISTA DE PIEZAS  
ITEM NO. / ARTICLE NO. / ARTICULO NO. : P167124  
DESCRIPTION / DESCRIPCIÓN : CHEST / COMMODE / CÓMODA

 **WARNING**



**Serious or fatal crushing injuries can occur from furniture tip-over. To help prevent tip-over:**

- install tipover restraint provided.
  - Place heaviest items in the lowest drawers.
  - Do not set TV's or other heavy objects on top of this product unless the product is specifically designed to accommodate them.
  - Never allow children to climb or hang on drawers, doors, or shelves.
  - Never open more than one drawers at a time (OR)
  - Do not defeat or remove the drawers interlock system.
- Use of tip-over restraints may only reduce, but not eliminate, the risk of tip-over.**  
this is a permanent label. Do not remove!



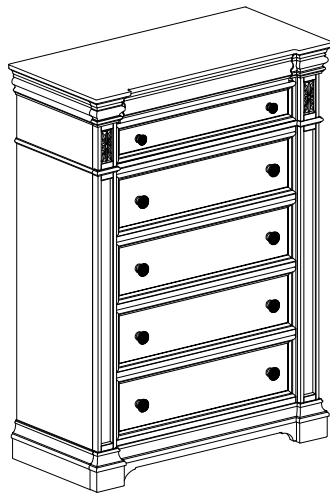
**A**

x1 Chest  
x1 Commode  
x1 Cómoda

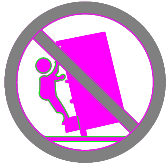


**B**

x1 Furniture Tipping Restraint  
x1 Systeme antibasculement  
x1 Control para evitar vulcos



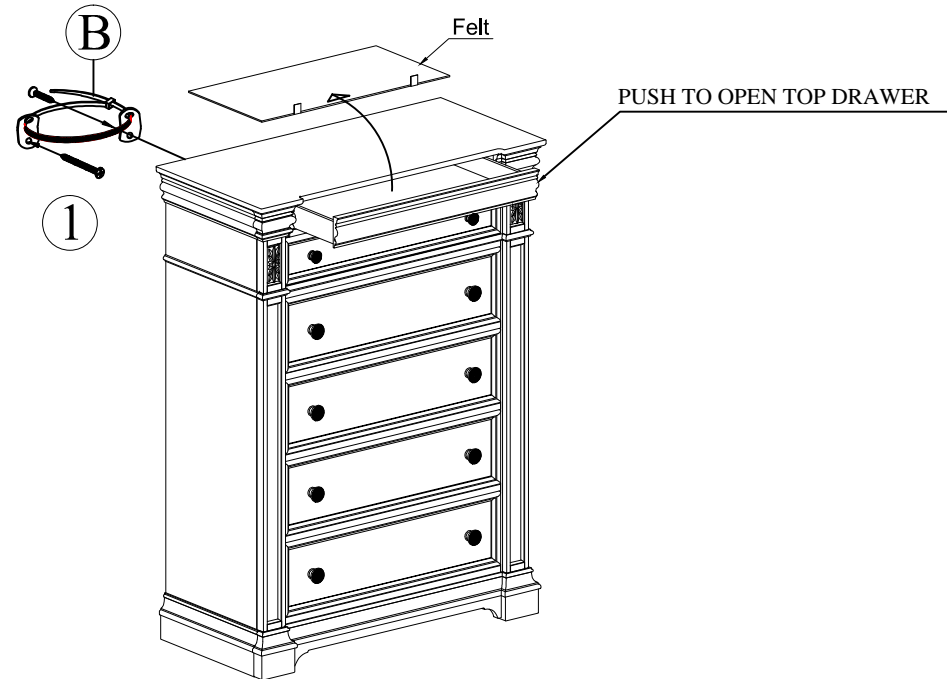
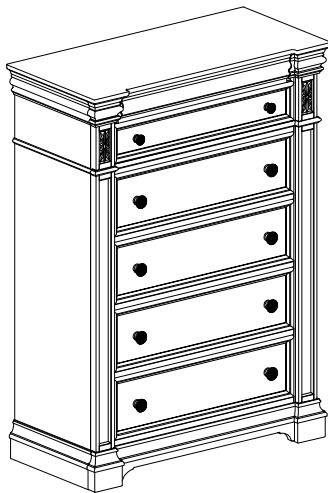
**▲ WARNING**



**Serious or fatal crushing injuries can occur from furniture tip-over. To help prevent tip-over:**

- install tipover restraint provided.
- Place heaviest items in the lowest drawers.
- Do not set TV's or other heavy objects on top of this product unless the product is specifically designed to accommodate them.
- Never allow children to climb or hang on drawers, doors, or shelves.
- Never open more than one drawers at a time (OR)
- Do not defeat or remove the drawers interlock system.

**Use of tip-over restraints may only reduce, but not eliminate, the risk of tip-over. this is a permanent label. Do not remove!**



REPLACEABLE PART / PARTIE REMPLACABLE / PARTE REEMPLAZABLE  
ITEM NO. / ARTICLE NO. / ARTICULO NO. : P167124  
DESCRIPTION / DESCRIPCIÓN : CHEST / COMMODE / CÓMODA

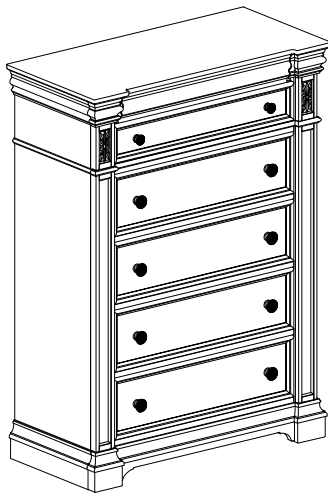
**WARNING**



**Serious or fatal crushing injuries can occur from furniture tip-over. To help prevent tip-over:**

- install tipover restraint provided.
- Place heaviest items in the lowest drawers.
- Do not set TV's or other heavy objects on top of this product unless the product is specifically designed to accommodate them.
- Never allow children to climb or hang on drawers, doors, or shelves.
- Never open more than one drawers at a time (OR)
- Do not defeat or remove the drawers interlock system.

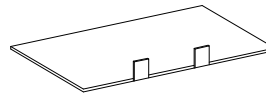
**Use of tip-over restraints may only reduce, but not eliminate, the risk of tip-over. this is a permanent label. Do not remove!**



x2 RP167-100 SKNOB  
Small Knob with screw\*  
Poignée et vis  
Tirador y Tornillo



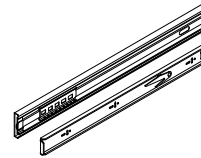
x8 RP167-100 BKNOB  
Big Knob with screw\*  
Poignée et vis  
Tirador y Tornillo



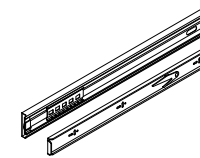
x1 RP167-124-FELT  
Removable Felt\*  
Feutre  
Fieltro



x4 RC-BR-NAIL  
Brown Plastic Nail\*  
Clou en plastique  
Clavo de plástico



x5 COMGLIDE-12-45  
Common Glide 12 inch 45 mm\*  
Glissière  
Carril de deslizamiento



x1 COMGLIDE-12-45-A  
Auto Common Glide 12 inch 45 mm\*  
Glissière  
Carril de deslizamiento

\* Replaceable Part