

# RS23A500ASR

SAMSUNG

## 23 cu. ft. Smart Counter Depth Side-by-Side Refrigerator



### Signature Features

#### Counter Depth

A modern, built-in look featuring a minimalist exterior with signature flat door design and recessed handles that seamlessly blend into your kitchen.

#### Fingerprint Resistant Finish

A finish that withstands everyday smudges, so you spend less time cleaning.

#### All-Around Cooling

Multi-vent technology keeps items on every shelf evenly cooled.

### Available Colors



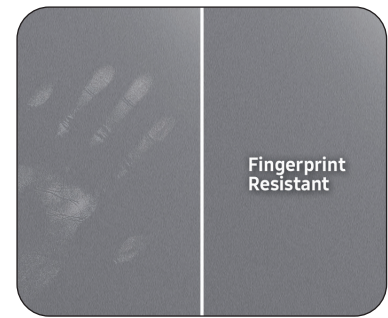
Fingerprint Resistant  
Stainless Steel (shown)



Fingerprint Resistant  
Black Stainless Steel



Counter Depth



Fingerprint Resistant Finish

### Design

- Counter Depth
- Fingerprint Resistant Finish
- Bright LED Lighting
- Adjustable Top Freezer Shelf
- 3 Gallon Door Bins
- 2 Clear Drawers in fridge;  
1 in freezer

### Technology

- Wi-Fi Enabled
- Door Alarm
- Water Filter Indicator
- Sabbath Mode

### Performance

- All-Around Cooling
- Automatic In-Door Ice Maker -  
Stores up to 4.0 lbs of ice

### Rating

625 kWh/yr



ADA Compliant

# RS23A500ASR

SAMSUNG

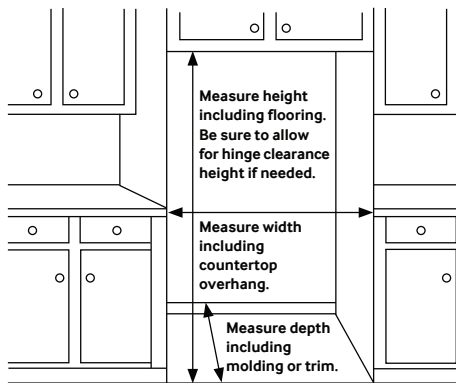
## 23 cu. ft. Smart Counter Depth Side-by-Side Refrigerator

### Installation Specifications

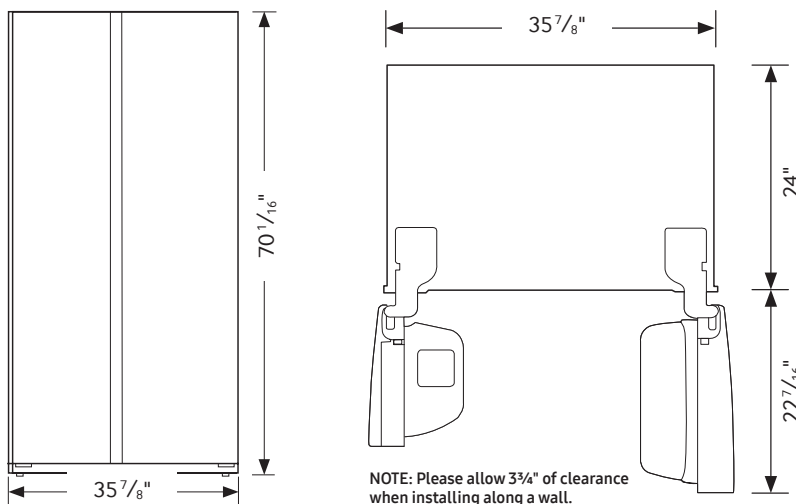
1. Measure the height, width and depth of the opening, making sure to include baseboards, molding tile, countertop overhang, etc. Check to be sure there is enough room to open the door (consider walls, islands or other obstacles when measuring).
2. Refer to illustration below to determine dimensions.
3. Allow 2.5" of clearance on hinge side of refrigerator when installing next to a wall where handle may make contact.
4. Allow 2" minimum clearance at rear for proper air circulation and water/electrical connections. Allow a 3/8" minimum clearance at sides and top for ease of installation.
5. Ensure each door and entryway in the home is wide enough for the refrigerator to be moved through easily.

For optimal usage and ability to open refrigerator doors completely, do not install next to a wall.

Please note: The following dimension and cutout information is for planning purposes only. For complete installation details, consult manual packed with product or download manual online at [samsung.com](http://samsung.com).



### Dimensions



**Total Capacity: 22.6 cu. ft.**

**Refrigerator: 14.6 cu. ft.**

- 4 Tempered Glass Shelves
- 2 Drawers
- 5 Door Bins
  - 3 Gallon Bins
  - 2 Door Bins
- Top LED Lighting

**Freezer: 8.0 cu. ft.**

- Automatic In-Door Ice Maker
- 5 Tempered Glass Shelves
- 1 Drawer
- 4 Door Bins
- Top LED Lighting

### Accessories

Water Filter: HAF-QIN

### Warranty

One (1) Year Parts and Labor on Refrigerator  
Five (5) Years Parts and Labor on Sealed Refrigeration System Only\*  
Ten (10) Years Parts and Five (5) Years Labor on Digital Inverter Compressor

\*Compressor, evaporator, condenser, drier and connecting tubing.

### Product Dimensions & Weight

Dimensions (WxHxD with hinges, recessed handles, and doors): 35<sup>7</sup>/<sub>8</sub>" x 70<sup>1</sup>/<sub>16</sub>" x 28<sup>5</sup>/<sub>8</sub>"

Dimensions (WxHxD without hinges and door): 35<sup>7</sup>/<sub>8</sub>" x 68<sup>5</sup>/<sub>8</sub>" x 24"

Weight: 229 lbs

### Shipping Dimensions & Weight (WxHxD)

Dimensions: 37<sup>3</sup>/<sub>4</sub>" x 75<sup>3</sup>/<sub>8</sub>" x 30<sup>1</sup>/<sub>8</sub>"

Weight: 238 lbs

### Color

Fingerprint Resistant  
Stainless Steel

### Model #

RS23A500ASR

### UPC Code

887276467801

Fingerprint Resistant  
Black Stainless Steel

RS23A500ASG

887276467795