

MICROWAVE OVEN HOOD COMBINATION OWNER'S MANUAL

MANUAL DEL PROPIETARIO DE LA COMBINACIÓN DE HORNO DE MICROONDAS Y CAMPANA

Table of Contents/Índice

MICROWAVE OVEN SAFETY	2	SEGURIDAD DEL HORNO MICROONDAS	26
Microwave Oven Safety	2	Seguridad del Horno Microondas	26
Internet Connectivity Guide for Connected Appliances Only	3	Guía de Conectividad a Internet solo para Electrodomésticos	
FCC Caution	4	Conectados	28
MICROWAVE OVEN MAINTENANCE AND CARE	5	Precaución de FCC	29
General Cleaning	5	MANTENIMIENTO Y CUIDADO DEL HORNO	
INSTALLATION INSTRUCTIONS	7	MICROONDAS	30
REQUIREMENTS	7	Limpieza general	30
Tools and Parts	7	INSTRUCCIONES DE INSTALACIÓN	32
Location Requirements	9	REQUISITOS	32
Product Dimensions	9	Herramientas y piezas	32
Installation Dimensions	10	Requisitos de Ubicación	34
Electrical Requirements	10	Dimensiones del producto	34
INSTALLATION	11	Dimensiones de Instalación	35
Prepare Microwave Oven Hood Combination.....	11	Requisitos eléctricos.....	35
Installation Types	11	INSTALACIÓN	36
Find the Cardboard Plate.....	12	Prepare la combinación de horno microondas y campana.....	36
Find the Wall Stud(s)	12	Tipos de Instalación.....	36
Find the Flush Point.....	13	Encontrar plantilla de cartón	37
Mark Upper Cabinet	13	Encuentre las vigas de pared	37
Mark Rear Wall.....	15	Encontrar el punto al ras.....	38
Drill holes in Upper Cabinet.....	16	Marque el gabinete superior	39
Drill holes in Rear Wall	16	Marque la pared posterior	40
Attach Mounting Plate to Wall	17	Taladre los orificios en el gabinete superior.....	41
Rotate Blower Motor	18	Taladre orificios en la pared posterior	42
Install Damper Assembly	21	Fije la placa de montaje a la pared.....	43
Install the Microwave Oven	22	Gire el motor del soplador	44
Complete Installation	23	Instale el conjunto de la compuerta	47
VENTING DESIGN SPECIFICATIONS	24	Instalación del horno microondas	47
		Complete la instalación	49
		ESPECIFICACIONES PARA EL DISEÑO DE LA	
		VENTILACIÓN	50

IMPORTANT:

Save for local electrical inspector's use.

IMPORTANTE:

Guarde para tener a disposición del inspector de electricidad local.



W11688932A

MICROWAVE OVEN SAFETY

Your safety and the safety of others are very important.

We have provided many important safety messages in this manual and on your appliance. Always read and obey all safety messages.



This is the safety alert symbol.

This symbol alerts you to potential hazards that can kill or hurt you and others.

All safety messages will follow the safety alert symbol and either the word "DANGER" or "WARNING." These words mean:

▲ DANGER

You can be killed or seriously injured if you don't immediately follow instructions.

▲ WARNING

You can be killed or seriously injured if you don't follow instructions.

All safety messages will tell you what the potential hazard is, tell you how to reduce the chance of injury, and tell you what can happen if the instructions are not followed.

IMPORTANT SAFETY INSTRUCTIONS

When using electrical appliances basic safety precautions should be followed, including the following:

WARNING: To reduce the risk of burns, electric shock, fire, injury to persons, or exposure to excessive microwave energy:

- Read all instructions before using the appliance.
- Read and follow the specific "PRECAUTIONS TO AVOID POSSIBLE EXPOSURE TO EXCESSIVE MICROWAVE ENERGY" found in this manual.
- This appliance must be grounded. Connect only to properly grounded outlet. See "GROUNDING INSTRUCTIONS" found in this section.
- Install or locate this appliance only in accordance with the provided Installation Instructions.
- Some products such as whole eggs and sealed containers - for example, closed glass jars - are able to explode and should not be heated in this oven.
- Use this appliance only for its intended use as described in the manual. Do not use corrosive chemicals or vapors in this appliance. This type of oven is specifically designed to heat, cook, or dry food. It is not designed for industrial or laboratory use.
- **HOT CONTENTS CAN CAUSE SEVERE BURNS. DO NOT ALLOW CHILDREN TO USE THE MICROWAVE.** Use caution when removing hot items.
- Do not operate this appliance if it has a damaged cord or plug, if it is not working properly, or if it has been damaged or dropped.
- This appliance should be serviced only by qualified service personnel. Contact nearest authorized service facility for examination, repair, or adjustment.
- Do not cover or block any openings on the appliance.
- Do not store this appliance outdoors. Do not use this product near water - for example, near a kitchen sink, in a wet basement, near a swimming pool, or similar locations.
- Do not immerse cord or plug in water.
- Keep cord away from heated surfaces.
- Do not let cord hang over edge of table or counter.
- Do not use replacement parts that have not been recommended by the manufacturer (e.g. parts made at home using a 3D printer).
- See door surface cleaning instructions in the "Microwave Oven Maintenance and Care" section.
- Liquids, such as water, coffee, or tea are able to be overheated beyond the boiling point without appearing to be boiling. Visible bubbling or boiling when the container is removed from the microwave oven is not always present. **THIS COULD RESULT IN VERY HOT LIQUIDS SUDDENLY BOILING OVER WHEN THE CONTAINER IS DISTURBED OR A UTENSIL IS INSERTED INTO THE LIQUID.**
- Do not operate any heating or cooking appliance beneath this appliance.
- Do not mount unit over or near any portion of a heating or cooking appliance.
- Do not mount over a sink.
- Do not store anything directly on top of the appliance surface when the appliance is in operation.
- Clean Ventilating Hoods Frequently - Grease should not be allowed to accumulate on hood or filter.
- When flaming foods under the hood, turn the fan on.
- Suitable for use above both gas and electric cooking equipment.
- Intended to be used above ranges with maximum width of 36" (91.44 cm).
- Do not touch or clean the heating plate after toast cooking, it is very hot.

SAVE THESE INSTRUCTIONS

IMPORTANT SAFETY INSTRUCTIONS

When using electrical appliances basic safety precautions should be followed, including the following:

WARNING: To reduce the risk of burns, electric shock, fire, injury to persons, or exposure to excessive microwave energy:

- Use care when cleaning the vent-hood filter. Corrosive cleaning agents, such as lye-based oven cleaners, may damage the filter.
- To reduce the risk of fire in the oven cavity:
 - Do not overcook food. Carefully attend appliance when paper, plastic, or other combustible materials are placed inside the oven to facilitate cooking.
 - Remove wire twist-ties from paper or plastic bags before placing bag in oven.
 - If materials inside the oven ignite, keep oven door closed, turn oven off, and disconnect the power cord, or shut off power at the fuse or circuit breaker panel.
 - Do not use the cavity for storage purposes. Do not leave paper products, cooking utensils, or food in the cavity when not in use.
- Oversized foods or oversized metal utensils should not be inserted in a microwave/toaster oven as they may create a fire or risk of electric shock.
- Do not clean with metal scouring pads. Pieces can burn off the pad and touch electrical parts involving a risk of electric shock.
- Do not use paper products when appliance is operated in the toaster mode.
- Do not store any materials, other than manufacturer's recommended accessories, in this oven when not in use.
- Do not cover racks or any other part of the oven with metal foil. This will cause overheating of the oven.

SAVE THESE INSTRUCTIONS

PRECAUTIONS TO AVOID POSSIBLE EXPOSURE TO EXCESSIVE MICROWAVE ENERGY

- (a) Do not attempt to operate this oven with the door open since open-door operation can result in harmful exposure to microwave energy. It is important not to defeat or tamper with the safety interlocks.
- (b) Do not place any object between the oven front face and the door or allow soil or cleaner residue to accumulate on sealing surfaces.
- (c) Do not operate the oven if it is damaged. It is particularly important that the oven door close properly and that there is no damage to the:
 - (1) Door (bent),
 - (2) Hinges and latches (broken or loosened),
 - (3) Door seals and sealing surfaces
- (d) The oven should not be adjusted or repaired by anyone except properly qualified service personnel.

Internet Connectivity Guide for Connected Appliances Only

IMPORTANT: Proper installation of your appliance prior to use is your responsibility. Be sure to read and follow the installation instructions that came with your appliance.

Connectivity requires Wi-Fi and account creation. App features and functionality are subject to change. Data rates may apply. Once installed, launch the app. You will be guided through the steps to set up a user account and to connect your appliance.

You Will Need:

- A home wireless router supporting Wi-Fi, 2.4 Ghz with WPA2 security. If you are unsure of your router's capabilities, refer to the router manufacturer's instructions.
- The router to be on and have a live internet connection.
- The 10-character SAID code for your appliance. The SAID code is either printed on a label on the appliance or found on the LCD screen.

Federal Communications Commission (FCC) Compliance Notice

This device complies with Part 15 of the FCC Rules. Operation is subject to the following two conditions:

1. This device may not cause harmful interference, and
2. This device must accept any interference received, including interference that may cause undesired operation.

Changes or modifications not expressly approved by the party responsible for compliance could void the user's authority to operate the equipment.

Industry Canada (IC) Compliance Notice

This Device complies with Industry Canada License-exempt RSS standard(s). Operation is subject to the following two conditions:

1. This device may not cause interference.
2. This device must accept any interference, including interference that may cause undesired operation of the device.

Under Industry Canada regulations, this radio transmitter may only operate using an antenna of a type and maximum (or lesser) gain approved for the transmitter by Industry Canada. To reduce potential radio interference to other users, the antenna type and its gain should be so chosen that the equivalent isotropically radiated power (e.i.r.p.) is not more than that necessary for successful communication.

To comply with FCC and Industry Canada RF radiation exposure limits for general population, antenna(s) used for this transmitter must be installed such that a minimum separation distance of 20 cm is maintained between the radiator (antenna) and all persons at all times and must not be co-located or operating in conjunction with any other antenna or transmitter.

If this equipment does cause harmful interference to radio or television reception, which can be determined by turning the equipment off and on, the user is encouraged to try to correct the interference by one of the following measures:

- Reorient or relocate the receiving antenna.
- Increase the separation between the equipment and receiver.
- Connect the equipment into an outlet on a circuit different from that to which the receiver is connected.
- Consult the dealer or an experienced radio/TV technician for help.

FCC Caution

- Changes or modifications not expressly approved by Whirlpool Corporation could void the user's authority to operate the equipment.
- The antenna(s) used for this transmitter must be installed such that a minimum separation distance of 20 cm is maintained between radiator (antenna) and all persons at all times and must not be co-located or operating in conjunction with any other antenna or transmitter.

Part 15B compliance statements for digital devices:

NOTE: This equipment has been tested and found to comply with the limits for a Class B digital device, pursuant to Part 15 of the FCC Rules. These limits are designed to provide reasonable protection against harmful interference in a residential installation. This equipment generates, uses and can radiate radio frequency energy and, if not installed and used in accordance with the instructions, may cause harmful interference to radio communications. However, there is no guarantee that interference will not occur in a particular installation. If this equipment does cause harmful interference to radio or television reception, which can be determined by turning the equipment off and on, the user is encouraged to try to correct the interference by one of the following measures:

- Reorient or relocate the receiving antenna.
- Increase the separation between the equipment and receiver.
- Connect the equipment into an outlet on a circuit different from that to which the receiver is connected.
- Consult the dealer or an experienced radio/TV technician for help.

The user manual for the end product must include the following information in a prominent location Instruction:

"To comply with FCC RF radiation exposure limits for general population, the antenna(s) used for this transmitter must be installed such that a minimum separation distance of 20 cm is maintained between the radiator (antenna) and all persons at all times and must not be co-located or operating in conjunction with any other antenna or transmitter."

OEM Responsibilities to comply with FCC Regulations

The rebel UI Modules have been certified for integration into products only by OEM integrators under the following conditions:

1. The antenna(s) must be installed such that a minimum separation distance 20 cm is maintained between the radiator (antenna) and all persons at all times.
2. The transmitter module must not be co-located or operating in conjunction with any other antenna or transmitter.

As long as the two conditions above are met, further transmitter testing will not be required. However, the OEM integrator is still responsible for testing their end-product for any additional compliance requirements required with this module installed (for example, digital device emissions, PC peripheral requirements, etc.)

IMPORTANT: In the event that these conditions cannot be met (for certain configurations or co-location with another transmitter), then the FCC authorizations are no longer considered valid and the FCC ID cannot be used on the final product. In these circumstances, the OEM integrator will be responsible for re-evaluating the end product (including the transmitter) and obtaining a separate FCC authorization.

End Product Labelling

This module is labelled with an FCC ID. If the FCC ID is not visible when the module is installed inside another device, then the outside of the device into which the module is installed must also display a label referring to the enclosed module. In that case, the final end product must be labelled in a visible area or display the following:

"Contains FCC ID: 2AC7Z-RIGEL"

The OEM of this module must only use the approved antenna(s), which have been certified with this module. The OEM integrator has to be aware not to provide information to the end user regarding how to install or remove this RF module or change RF related parameters in the user manual of the end product.

MICROWAVE OVEN MAINTENANCE AND CARE

General Cleaning

IMPORTANT: Before cleaning, make sure all controls are off and the microwave oven is cool. Always follow label instructions on cleaning products.

Soap, water, and a soft cloth or sponge are suggested first, unless otherwise noted.

STAINLESS STEEL AND BLACK STAINLESS STEEL (on some models)

NOTE: To avoid damage to stainless steel surfaces, do not use soap-filled scouring pads, abrasive cleaners, Cooktop Cleaner, steel-wool pads, gritty washcloths, or abrasive paper towels. Damage may occur to stainless steel surfaces, even with one-time or limited use.

Rub in direction of grain to avoid damaging.

Cleaning Method:

- Affresh®+ Stainless Steel Cleaners Part Number W10355016 (not included) or affresh® Stainless Steel Cleaning Wipes Part Number W1055049 (not included): See the Quick Start Guide for ordering information.
- Vinegar for hard water spots.

MICROWAVE OVEN DOOR EXTERIOR

Cleaning Method:

- Glass cleaner and a soft cloth or sponge: Apply glass cleaner to soft cloth or sponge, not directly on panel.
- Affresh® Kitchen Appliance Cleaners Part Number W10355010 (not included): See "Online Ordering Information" section from Quick Start Guide to order.

NONSTICK CAVITY COATING (on some models)

To avoid damage to the microwave oven cavity, do not use metal or sharp utensils or scrapers or any type of abrasive cleanser or scrubbers.

MICROWAVE OVEN CAVITY

To avoid damage to the microwave oven cavity, do not use soap-filled scouring pads, abrasive cleaners, steel-wool pads, gritty washcloths, or some paper towels.

On stainless steel models, rub in direction of grain to avoid damaging.

The area where the microwave oven door and frame touch when closed should be kept clean.

Cleaning Method:

Average soil

- Mild, nonabrasive soaps and detergents:
Rinse with clean water and dry with soft, lint-free cloth.

Heavy soil

- Mild, nonabrasive soaps and detergents:
Heat 1 cup (250 mL) of water for 2 to 5 minutes in microwave oven. Steam will soften soil. Rinse with clean water and dry with soft, lint-free cloth.

Odors

- Lemon juice or vinegar:
Heat 1 cup (250 mL) of water with 1 tbs (15 mL) of either lemon juice or vinegar for 2 to 5 minutes in microwave oven.

GREASE FILTERS

- Mild cleanser and scouring pad
- Dishwasher

WIRE RACK

- Steel-wool pad
- Dishwasher

TOAST PAN (on some models)

- Mild cleanser and scouring pad
- Dishwasher

AIR FRY BASKET (on some models)

- Steel-wool pad
- Dishwasher

IR SENSOR LENS (on some models)

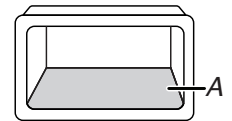
- Lens cleaner and lint-free Swab

Clean IR sensor lens when the display shows the cleaning reminder, wait until the product becomes idle and cools down. Or clean when necessary. See "Clean the IR Sensor Lens" section for more details.

EMBEDDED HEATING PLATE (on some models)

- Glass cleaner and a soft cloth or sponge

There is an embedded heating plate under the oven bottom on some models. After some cooking, the oven bottom glass becomes very hot (see "Online control guide" for more details). Clean the glass after the "Oven too hot" disappeared on the display.



A. Embedded Heating Plate

PROBE (on some models)

- Soap and warm water

The probe is a hand wash only item. Hold onto the rubber end, gently wash with soap and warm water. Rinse and dry well before storing. Place in a provided storage box for easy access. Keep the storage box clean of food and residue. See Quick Start Guide for more information.

Clean The IR Sensor Lens: (on some models)

The IR sensor is located on the right-side of the cavity top. Clean it when the display shows the cleaning reminder or manual clean if necessary.

NOTE: Wait until the product becomes idle and cools down.

To clean the IR sensor lens when reminder appearing:

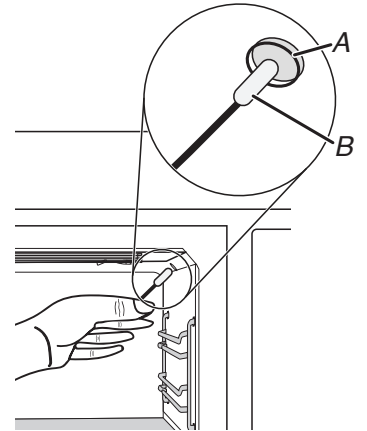
1. Follow the instructions on display to clean.
2. Use the lens cleaner and lint-free swab to clean.
3. After cleaning, the IR shelter will be closed.
4. press CONFIRM/MENU key back to idle.

NOTE: Press BACK key to exit the reminder if you do not clean the lens at the moment, the reminder will appear again in 7 days. Other functions will work as usual, except for the IR sensor cooking function.

To clean the IR sensor lens daily:

If you find the IR sensor cooking function performance is not good, you can clean the IR lens at any time.

1. Press Settings key and arrow key until Clean and Maintenance submenu.
2. Use the arrow key to select IR Cleaning and press CONFIRM/MENU key to select IR cleaning.
3. Use the lens cleaner and lint-free swab to clean the lens when the IR shelter is opened.
4. After cleaning, the IR shelter will be closed.
5. Press CONFIRM/MENU key back to idle.



A. IR Sensor Lens
B. lint-free swab with Lens

Clean/Replace Grease Filter:

The grease filter is on the underside of the microwave oven. Clean monthly.

To clean the grease filter:

Disconnect power.

Remove the grease filter by pushing finger grips back and then pull down from the bottom plate, see illustration 1.

Clean the grease filter with a mild cleanser and scouring pad, or clean it with dishwasher.

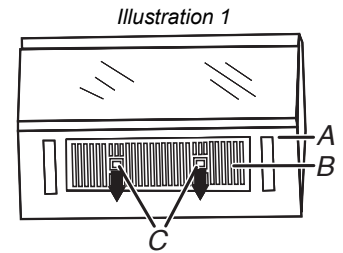
After cleaning, dry it up, put the grease filter back to the bottom plate, the springs toward back, pushing finger grips back, until the two tongues are in position, see illustration 2.

To replace a new grease filter:

Disconnect power.

Remove the grease filter by pushing finger grips back and then pull down from the bottom plate, see illustration 1.

Replace a new grease filter by putting the grease filter to the bottom plate, the springs toward back, pushing finger grips back, until the two tongues are in position, see illustration 2.



A. Bottom Plate
B. Grease Filter
C. Finger Grips

Replacing Charcoal Filter:

The charcoal filter is behind the grease filter. It cannot be cleaned and should be replaced every 6 months, while the display shows the filter alert "Change the Charcoal Filter and reset reminder in Settings".

To replace the charcoal filter:

Disconnect power.

Remove the grease filter by pushing finger grips back and then pull down from the bottom plate and set aside, see illustration 1.

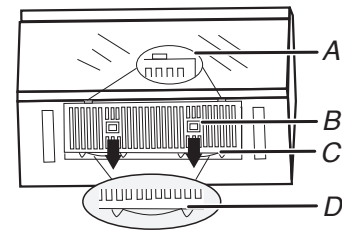
Remove the charcoal filter out of the bottom plate by pulling the four hooks out, see illustration 3.

Replace the old charcoal filter with a new charcoal filter.

Put the charcoal filter back to the bottom plate, insert the four hooks into the bottom plate holes.

Put the grease filter back into the bottom plate and the springs toward the back. Push the finger grips back, until the two tongues are in position, see illustration 2.

Illustration 2



- A. Tongues
- B. Finger Grip
- C. Grease Filter
- D. Spring

To remove the filter alert and reset filters duration:

After replacing the charcoal filter, to remove the filter alert on the display, retrieve another 6 months duration.

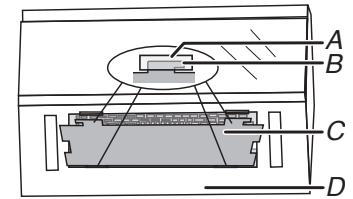
Press Setting key, use Arrow key to select Cleaning and Maintenance submenu, press CONFIRM/MENU key to enter.

Use Arrow key to select Reset filter submenu, press CONFIRM/MENU key to reset.

The charcoal filter retrieves another 6 months duration now.

NOTE: For roof venting and wall venting, the charcoal filter is not necessary, but the filter alert will still appear every 6 months. You can follow the above steps to remove the alert.

Illustration 3



- A. Holes
- B. Hooks
- C. Charcoal Filter
- D. Bottom Plate

INSTALLATION INSTRUCTIONS REQUIREMENTS

Tools and Parts


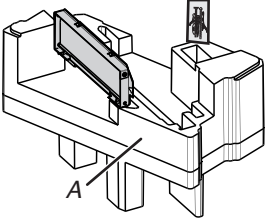








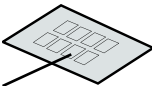
Tools Needed

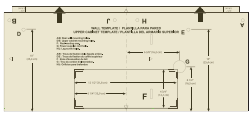
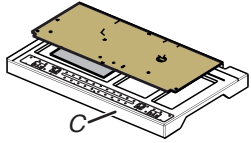
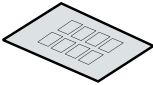

- Measuring tape
- Pencil
- Scissors
- Masking tape or thumbtacks
- Drill
- No. 2 Phillips screwdriver
- Stud finder
- No. 3 Phillips screwdriver for 1/4-20 x 3" (76 mm) bolts
- 3/16" (5 mm), 3/8" (10 mm), 5/8" (16 mm) drill bits
- 3/4" (19 mm) hole saw
- Keyhole saw
- Diagonal wire cutting pliers
- 7/16" (11 mm) socket wrench (or box wrench) for 1/4" x 2" (6.4 mm x 51 mm) lag screws
- 1 1/2" (38 mm) diameter hole drill bit for wood or metal cabinet
- Caulking gun and weatherproof caulking compound
- Duct tape.

Materials Needed

- Standard fittings for wall or roof venting. See the "Venting Design Specifications" section.

Parts Supplied

Part	Drawing	Description	Qty	Where can find?
Screw Pack		3/16-24 x 3" round-head bolts	2	 A. Inner Form in the cavity
		1/4-20 x 3" flat-head bolts	2	
		Washers	2	
		3/16" toggle nuts	2	
		1/4" x 2" lag screws	2	
		#6 x 3/8" Sheet metal screws	2	
		Power supply cord bushing	1	
Damper		Damper for wall or roof venting	1	
Spacer		Spacer (L*W*T: 40*10*1.6 mm)	8	 B. Inside the Literature pack

Cardboard Plate		Upper cabinet template and Wall template	1	 C. Outer Form in the Carton
Literature Pack		Literature	1	
Mounting Plate		Mounting plate	1	

Check local codes. Check existing electrical supply. See “Electrical Requirements”.

It is recommended that all electrical connections be made by a licensed, qualified electrical installer.

NOTE:

- The hardware items listed here are for wood studs. For other types of wall structures, be sure to use appropriate fasteners.
- Be sure to purchase only Whirlpool factory-certified parts and accessories for your appliance. Your installation may require additional parts. To order, see the “Online Ordering Information” section of the Quick Start Guide.

Location Requirements

Check the opening where the microwave oven will be installed. The location must provide:

- Minimum installation dimensions. See the “Installation Dimensions” illustration.
- Minimum one 2" x 4" (5.1 x 10.2 cm) wood wall stud and minimum 3/8" (1 cm) thickness drywall or plaster/lath within cabinet opening.
- Support for weight of 150 lbs (68 kg) which includes microwave oven and items placed inside the microwave oven and upper cabinet.
- Grounded electrical outlet inside upper cabinet. See the “Electrical Requirements” section.

NOTE:

- Some models have a pocket handle. If installing the microwave near a right side wall, make sure there is at least 3" (7.6 cm) of clearance between wall and microwave oven so you can grab the handle integrated inside the door.
- Some cabinet and building materials are not designed to withstand the heat produced by the microwave oven for cooking. Check with your builder or cabinet supplier to make sure that the materials used will not discolor, delaminate, or sustain other damages.

Special Requirements

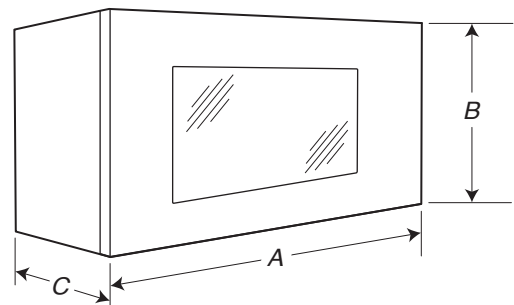
For Wall Venting Installation Only:

- Cutout must be free of any obstructions so that the vent fit properly and the damper blade opens freely and fully.

For Roof Venting Installation Only:

- If you are using a rectangular-to-round transition piece, the 3" (7.6 cm) clearance needs to exist above the microwave oven so that the damper blade can open freely and fully. See “Rectangular to Round Transition” illustration in the “Venting Design Specifications” section.

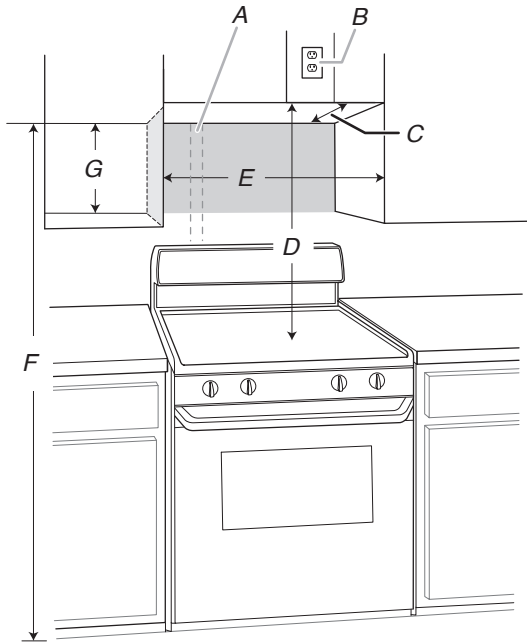
Product Dimensions



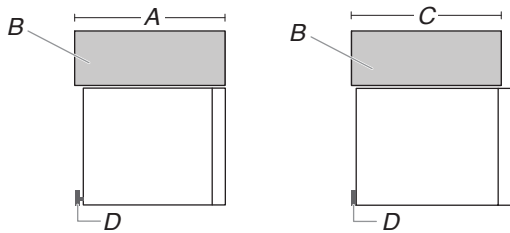
- A. 29⁷/₈" (76.1 cm)
- B. 17⁷/₈" (45.4 cm)
- C. 12¹/₈" (31.3 cm)

Installation Dimensions

NOTE: The grounded 3 prong outlet must be inside the upper cabinet. See the "Electrical Requirements" section.



- A. 2" x 4" (5.1 cm x 10.2 cm) wall stud
- B. Grounded 3 prong outlet
- C. Upper cabinet depth (with door)***
- D. 36" (91.4 cm) recommended*
30" (76.2 cm) typical**
- E. 30" (76.2 cm) minimum
- F. 72" (182.8 cm) recommended
66" (167.6 cm) minimum
- G. Flat back surface 18 1/4" (46.3 cm) minimum



- A. (Flush) 12 3/4" to 13" (32.3 cm to 33 cm) deep
- B. Cabinet
- C. Less than 12 3/4" (32.3 cm) deep
- D. Mounting plate

Exact dimensions may vary depending on type of range/cooktop below.

*36" (91.4 cm) is recommended for 72" (182.8 cm) installation height.

**30" (76.2 cm) is typical for 66" (167.6 cm) installation height.

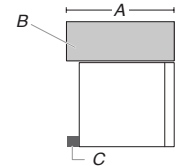
***Measure from the back wall to where the front bottom surface of the microwave oven needs to be (Dimension A).

For 12" (30.5 cm) to 12 3/4" (32 cm) cabinets, the microwave oven will protrude from the cabinet.

For 12 3/4" (32 cm) to 13" (33 cm) cabinets, the microwave oven is flush to the cabinet.

NOTE: It may be necessary to use a number of spacers, between the mounting plate and the wall, to achieve a more 'Flush' appearance. See "Attach Mounting Plate to Wall" section for more details.

If cabinets are deeper than 13" (33 cm), and up to 16" (40.6 cm), use the bump out mounting kit, replacing the mounting plate supplied with the product. The bump out mounting kit (part#- W11630300) is not provided.



- A. (Bump out) 13" to 16" (33 cm to 40.6 cm) deep
- B. Cabinet
- C. Bump out mounting bracket

To order, see the "Online Ordering Information" section of the Quick Start Guide.

For cabinets with other dimension's, we suggest selecting other Whirlpool Products.

Electrical Requirements

⚠ WARNING



Electrical Shock Hazard

Plug into a grounded 3 prong outlet.

Do not remove ground prong.

Do not use an adapter.

Do not use an extension cord.

Failure to follow these instructions can result in death, fire, or electrical shock.

Observe all governing codes and ordinances.

Required:

- A 120 V, 60 Hz, AC only, 15 A or 20 A electrical supply with a fuse or circuit breaker.

Recommended:

- A time-delay fuse or time-delay circuit breaker.
- A separate circuit serving only this microwave oven.

GROUNDING INSTRUCTIONS

For a grounded, cord-connected appliance:

This appliance must be grounded. In the event of a malfunction or breakdown, grounding will reduce the risk of electric shock by providing a path of least resistance for electric current. This appliance is equipped with a cord having an equipment-grounding conductor and a grounding plug. The plug must be plugged into an appropriate outlet that is properly installed and grounded in accordance with all local codes and ordinances.

WARNING: Improper connection of the equipment-grounding conductor can result in a risk of electric shock. Check with a qualified electrician or serviceman if you are in doubt as to whether the appliance is properly grounded. Do not modify the plug provided with the appliance: if it will not fit the outlet, have a proper outlet installed by a qualified electrician.

SAVE THESE INSTRUCTIONS

This device complies with Part 18 of the FCC Rules.

INSTALLATION

Prepare Microwave Oven Hood Combination

⚠WARNING

Excessive Weight Hazard

Use two or more people to move and install or uninstall appliance.

Failure to do so can result in back or other injury.

1. To avoid possible damage to the work surface, cover the work surface.
2. Remove cardboard plate from the outer foam in the carton. It is for upper-cabinet and wall installation.
3. Remove the screw pack from the inner foam in the cavity.
4. Remove the damper from the inner foam in the cavity.
5. Remove the literature pack from the outer foam in the carton.
6. Remove shipping materials, tape and film from microwave.
7. Remove the mounting plate from the outer foam in the cavity.
8. Tape the microwave oven door closed so that the door does not swing open while the microwave oven is being handled.

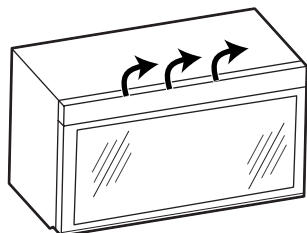
NOTE: To avoid damage to the microwave oven, do not grip or use the door or door handle while the microwave oven is being handled.

Installation Types

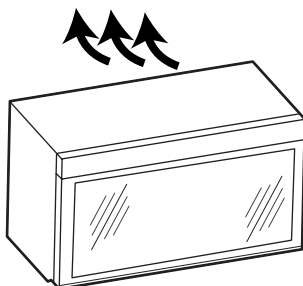
This microwave oven is designed for adaptation to the following three types of ventilation, choose one type before installation.

NOTE: For roof venting and wall venting, charcoal filter is not necessary, uninstall the charcoal filter before use. See the "Complete Installation" section for details.

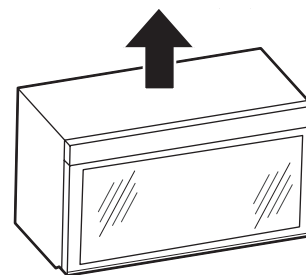
Recirculation
(Factory Default Setting)



Wall Venting

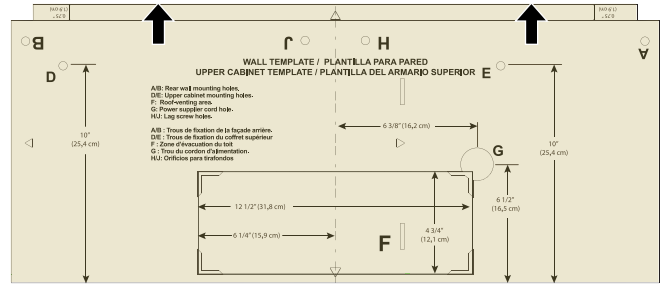


Roof Venting



Find the Cardboard Plate

The cardboard plate is used as wall template and upper-cabinet template. It is located on the outer foam in the carton. Find it before installation.



Find the Wall Stud(s)

NOTE: If no wall studs exist within the cabinet opening, do not install the microwave oven.

See illustrations in "Possible Wall Stud Configurations."

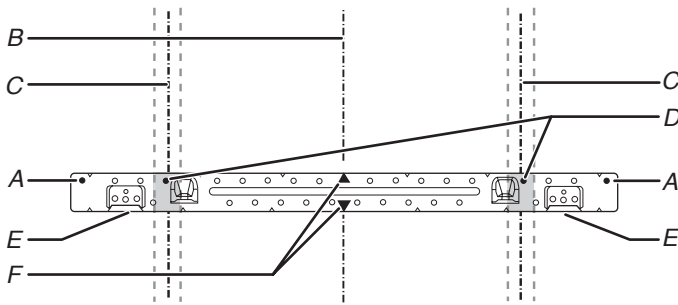
- Using a stud finder, locate the edges of the wall stud(s) within the opening.
- Mark the center of each stud, and draw a plumb line down each stud center. See illustrations in "Possible Wall Stud Configurations."

Possible Wall Stud Configurations

These depictions show examples of preferred installation configurations with the mounting plate.

No Wall Studs at End Holes

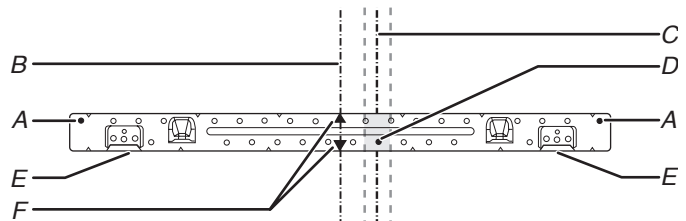
Figure 1



- | | |
|--|----------------------------------|
| A. End holes (on mounting plate) | D. Holes for lag screws |
| B. Cabinet opening vertical centerline | E. Support tabs |
| C. Wall stud centerlines | F. Mounting plate center markers |

No Wall Studs at End Holes

Figure 2

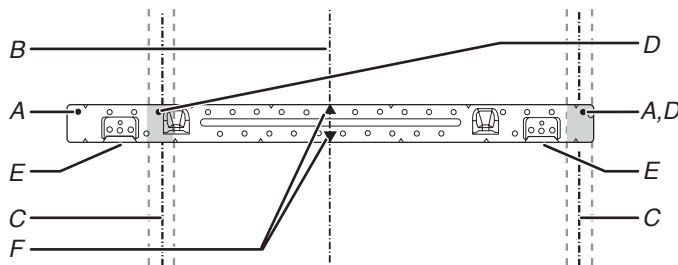


NOTE: If wall stud is within 6" (15.2 cm) of the vertical centerline (see the "Mark Rear Wall" section), only recirculation or roof venting installation can be done.

- | | |
|--|----------------------------------|
| A. End holes (on mounting plate) | D. Holes for lag screws |
| B. Cabinet opening vertical centerline | E. Support tabs |
| C. Wall stud centerlines | F. Mounting plate center markers |

Wall Stud at End Holes

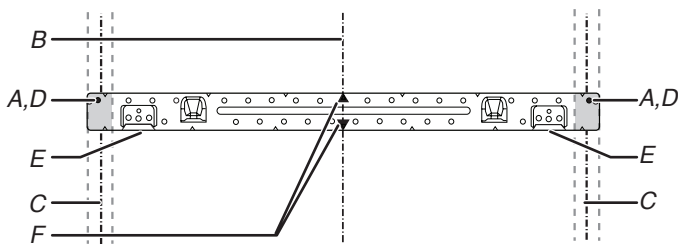
Figure 3



- | | |
|--|----------------------------------|
| A. End holes (on mounting plate) | D. Holes for lag screws |
| B. Cabinet opening vertical centerline | E. Support tabs |
| C. Wall stud centerlines | F. Mounting plate center markers |

Wall Stud at End Holes

Figure 4

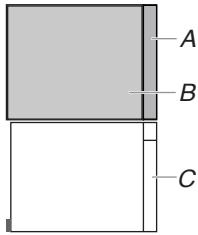


- | | |
|--|----------------------------------|
| A. End holes (on mounting plate) | D. Holes for lag screws |
| B. Cabinet opening vertical centerline | E. Support tabs |
| C. Wall stud centerlines | F. Mounting plate center markers |

Find the Flush Point

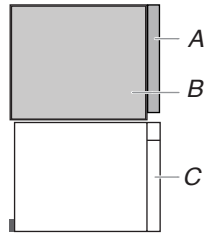
This product is designed to be flush with the cabinet, and the flush point should be found before installation. Don't install with the front of the microwave oven located behind the front of the cabinet/door.

Flush to Cabinet door



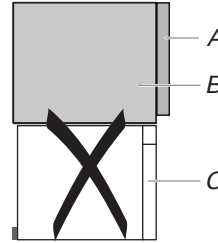
- A. Cabinet door
- B. Cabinet
- C. Microwave oven door

Flush to Cabinet door



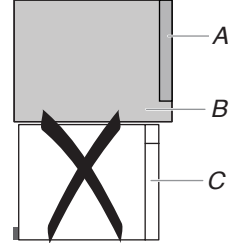
- A. Cabinet door
- B. Cabinet
- C. Microwave oven door

Don't install with the front of the microwave oven located behind the front of the cabinet/door.



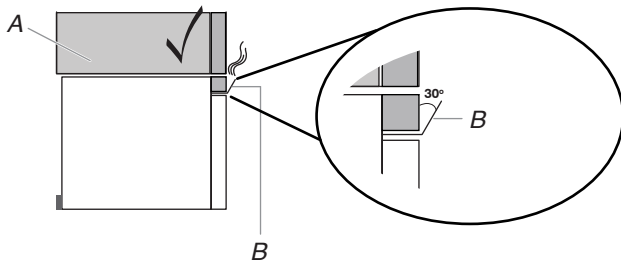
- A. Cabinet door
- B. Cabinet
- C. Microwave oven door

Don't install with the front of the microwave oven located behind the front of the cabinet/door.

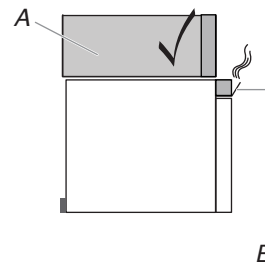


- A. Cabinet door
- B. Cabinet
- C. Microwave oven door

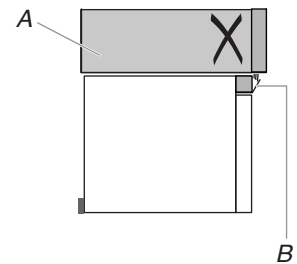
NOTE: The grille baffle will automatically open 30° when the microwave oven uses the ventilation and cooking function. Do not install the microwave oven with the grille baffle behind the front of the cabinet/door otherwise it will block the air outlet.



- A. Cabinet
- B. Grille baffle

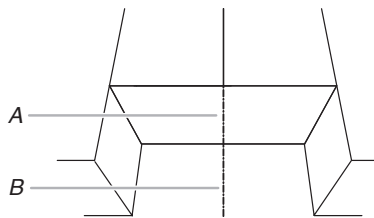


- A. Cabinet
- B. Grille baffle



Mark Upper Cabinet

- Using a tape, measure clearly and mark the vertical centerline of the opening. Make sure it aligns with the vertical wall centerline.



- A. Upper Cabinet Centerline
- B. Wall Centerline

NOTE: The cardboard plate is fit for depth of 12" to 13" (30.5 cm to 33.02 cm) cabinet installation, but need some adjustment for different depths. See the following steps 2, 3.

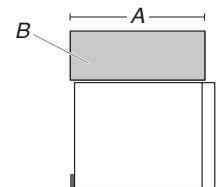
If cabinets are deeper than 13" (33 cm), and up to 16" (40.6 cm), use the bump out mounting kit, replacing the mounting plate supplied with the product. The bump out mounting kit (part#- W11630300) is not provided.

If your cabinet is 12" to 12³/₄" (30.5 cm to 32.4 cm) depth, follow the step 2:

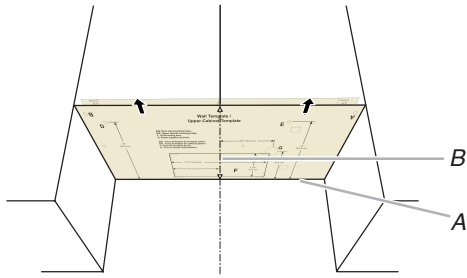
- Place the cardboard plate against the bottom of the upper cabinet.

NOTES:

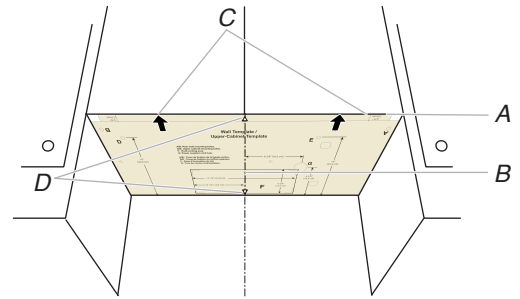
- Make sure the back edge of the cardboard plate aligns with the wall and back edge of upper cabinet.
- Make sure the center marks on the cardboard plate align with the upper cabinet centerline which draw in step 1.
- Make sure the arrow on the cardboard plate are facing out.



- A. Less than 12" (30.5 cm) deep
- B. Cabinet

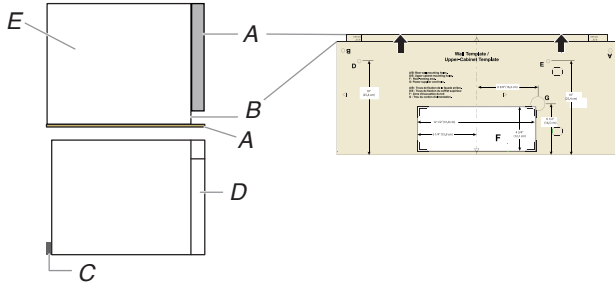


- A. Back Edge of Cardboard Plate and Back Edge of Upper Cabinet
- B. Upper Cabinet Centerline and Center Marks on Cardboard Plate



- A. Front Edge of Cardboard Plate and Front Edge of Upper Cabinet
- B. Upper Cabinet Centerline
- C. Arrows on Cardboard Plate
- D. Center Marks on Cardboard Plate

Flush to cabinet door



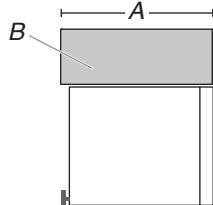
- A. Front Edge of Cardboard Plate and Upper Cabinet Door
- B. Upper Cabinet and Cardboard Plate 0.75" (1.9 cm) Line
- C. Mounting plate
- D. Microwave oven door
- E. Cabinet

If your cabinet depth is 12³/₄" to 13" (32.4 cm to 33 cm) depth:

3. Place the cardboard plate against the bottom of the upper cabinet.

NOTES:

- Make sure the front edge of the cardboard plate align with the front edge of upper cabinet.
- Make sure the center marks on the cardboard plate align with the upper cabinet centerline which draw in step 1.

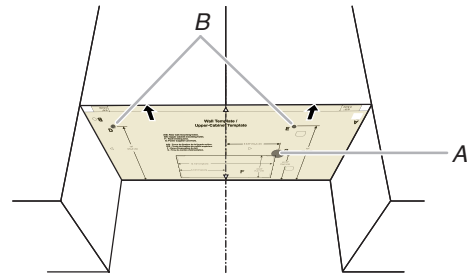


- A. (Flush) 12³/₄" to 13" (32.4 cm to 33 cm) deep
- B. Cabinet

NOTE: If the upper cabinet doors protrude from the upper cabinet, the cardboard can be adjusted outward to be flush with the upper cabinet door.

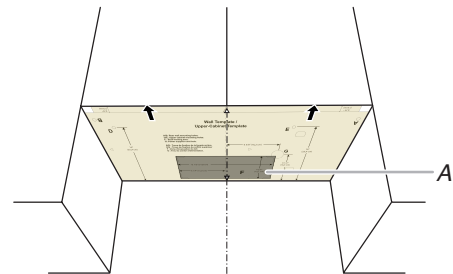
For example the upper cabinet door is 0.75" (1.9 cm) thick, you can align the cardboard plate 0.75" (1.9 cm) line with the upper cabinet.

4. Use a pencil to mark the power cord hole and two mounting nut holes.



- A. Power Cord Hole
- B. Mounting Nut Holes

5. Use a pencil to mark the upper cabinet vent hole. This step can be skipped if your unit is using recirculation or wall venting installation.

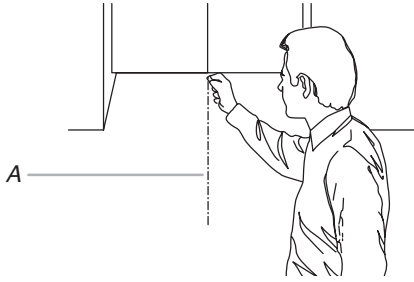


- A. Upper Cabinet Hole

Mark Rear Wall

The microwave oven must be installed on a minimum of 1 wall stud, preferably 2, using a minimum of 1 lag screw, preferably 2. See "Find the Wall Stud(s)" section for find the wall studs.

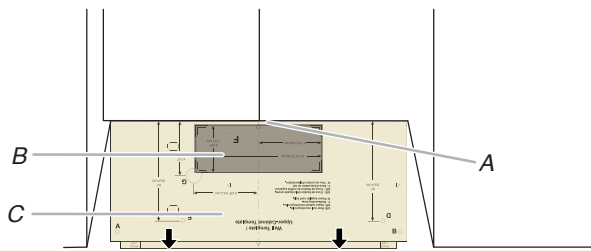
1. Use a pencil to mark the power cord hole and two mounting nut holes.



A. Centerline

2. Align the center markers on the cardboard plate, to the centerline on the wall, making sure it is level, and that the top of the cardboard template is butted up against the back edge of the upper cabinet. (see following **NOTE** before making marks).

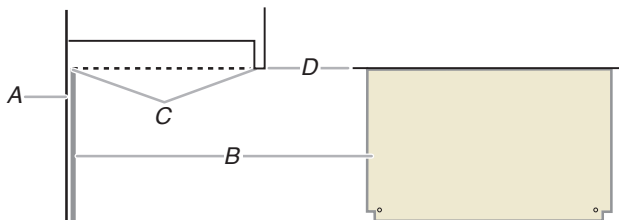
Use a pencil to mark the wall venting hole (wall venting installation only), skip it if your unit is for recirculation or upper cabinet venting installation.



A. Back Edge of Upper Cabinet
B. Wall Venting Hole
C. Cardboard Plate

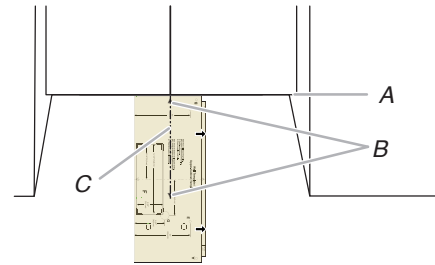
NOTE:

- If the front edge of the upper cabinet is lower than the back edge, lower the cardboard template so that its top is level with the front edge of the cabinet.



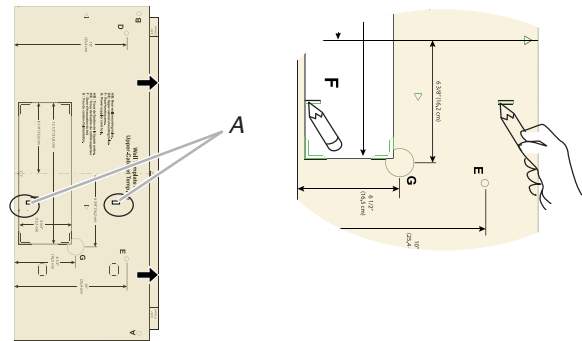
A. Rear wall
B. Cardboard plate
C. Top of cardboard plate must align with front edge of cabinet
D. Front edge of upper cabinet

3. Hold the cardboard plate on the rear wall while aligning the side center marks (B) on the cardboard plate with the vertical centerline draw in step 1. Make sure the cardboard plate is level, and that the top of the cardboard template is butted up against the bottom edge of the upper cabinet.



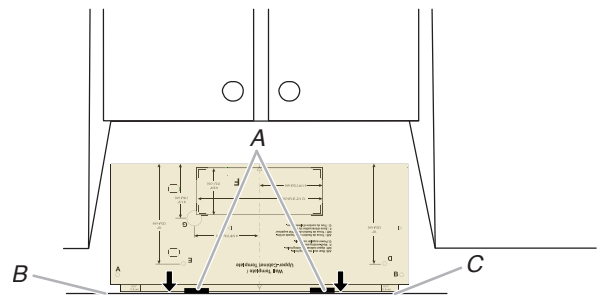
A. Bottom Edge of Upper Cabinet and Top of the Cardboard Plate
B. Side Center Marks on Cardboard Plate
C. Centerline

4. Find and mark the two bottom position lines (A) on the cardboard plate.



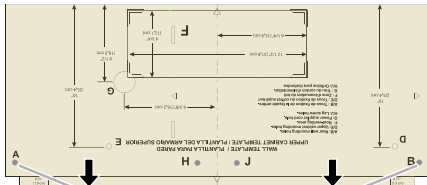
A. Cardboard Plate Bottom Position Line

5. Using the bottom edge of the cardboard plate, align it with the two small lines (A), and draw a line (B) indicating where the bottom edge of the mounting plate (C) should be.



A. Two Small Lines
B. Cardboard Plate Bottom Line
C. Bottom Edge of Mounting Plate

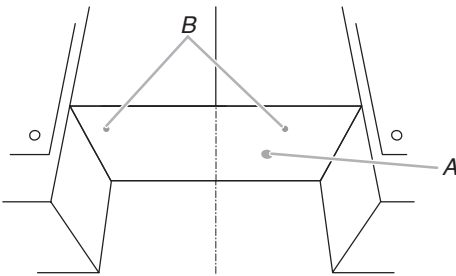
6. Draw A and B two small circles, H and J is not necessary, depending on your need.



A and B holes

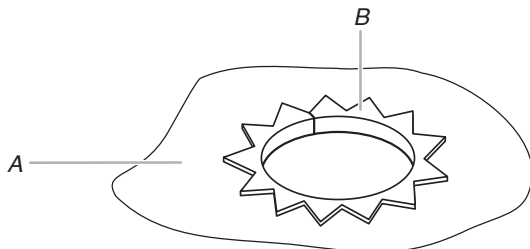
Drill holes in Upper Cabinet

1. Using a drill and the 0.75" (1.9 cm) hole saw, cut out the power cord hole (A).
2. Drill two mounting nut holes (B), which are 3/8" (10 mm) holes at points "D" and "E" on the cardboard template. These are for two 1/4-20 x 3" bolts and washers used to secure the microwave oven to the upper cabinet.



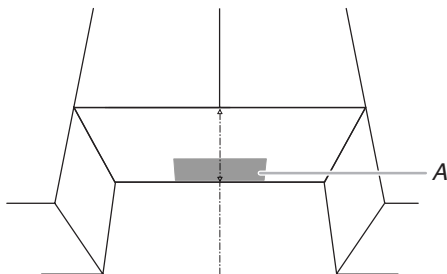
A. Power Cord Hole
B. Mounting Nut Holes

NOTE: If upper cabinet is metal, the supply cord bushing needs to be installed around the supply cord hole as shown.



A. Metal cabinet
B. Power supply cord bushing

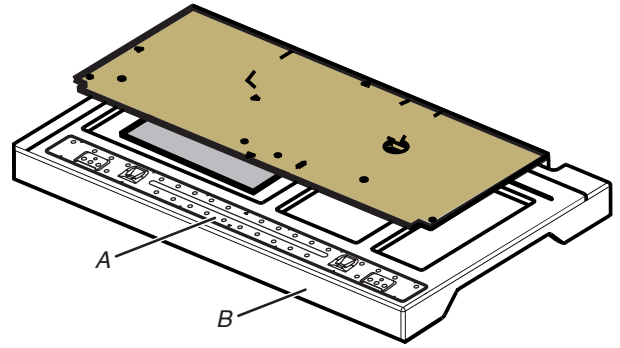
3. Using a keyhole saw, cut out the rectangular roof venting cutout area. Skip this step if for recirculation venting or wall venting installation.



A. Roof Venting Cutout Area

Drill holes in Rear Wall

1. The mounting plate is located inside the outer foam in the cavity, take it out.

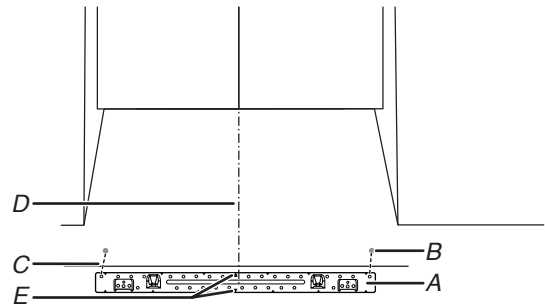


A. Mounting Plate
B. Outer Foam in the Carton

2. Attach the mounting plate to wall. Make sure the 2 holes on mounting plate align with the A and B holes marked in the "Mark Rear wall" section and the mounting plate center markers align with the Center Mark.

NOTE: It may be necessary to use a number of the spacers, between the mounting plate and the wall, to achieve a more 'Flush' appearance. See "Attach Mounting Plate to Wall" section for more details.

Measure from the back wall to where the front bottom surface of the microwave oven needs to determine the number of spacers needed.



A. Mounting Plate
B. A and B holes
C. Mounting Plate Bottom Line
D. Center Mark
E. Mounting plate center markers

- Drill holes at A and B, if the Wall studs are not located A and B hole, do not drill A and B hole, and follow the below instruction.

In addition to being installed on at least 1 wall stud, the mounting plate must attach to the wall at both end holes. If the end holes are not over wall studs, use two 3/16-24 x 3" round head bolts with toggle nuts; if 1 end hole is over a wall stud, use 1 lag screw and one 3/16-24 x 3" round-head bolt with toggle nut; or if both end holes are over wall studs, use 2 lag screws. Following are 3 installation configurations.

Installation for No Wall Studs at End Holes (Figures 1 and 2 in Find the Wall Stud(s) section)

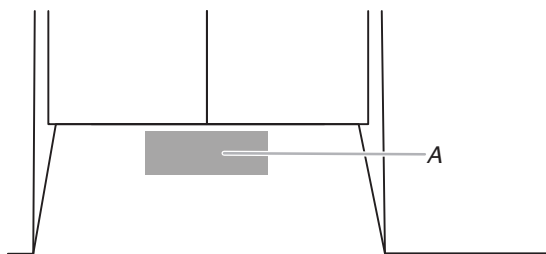
- Drill 5/8" (1.6 cm) holes through the wall at both end holes marked in Step 3 of the "Mark Rear Wall."
- Drill 3/16" (5 mm) hole(s) into the wall stud(s) at the hole(s) marked in step 6 of the "Mark Rear Wall." Refer to figures 1 and 2 in "Possible Wall Stud Configurations" in the "Locate Wall Stud(s)" section.

Installation for Wall Stud at One End Hole (Figure 3 in Find the Wall Stud(s) section)

- Drill a 3/16" (5 mm) hole into the wall stud at the end hole marked in Step 3 of the "Mark Rear Wall."
- If installing on a second wall stud, drill a 3/16" (5 mm) hole into the wall stud at the other hole marked in Step 6 of the "Mark Rear Wall." Refer to Figure 3 in "Possible Wall Stud Configurations" in the "Locate all Stud(s)" section.
- Drill a 5/8" (1.6 cm) hole through the wall at the other end.

Installation for Wall Studs at Both End Holes (Figure 4 in Find the Wall Stud(s) section)

- Drill 3/16" (5 mm) holes into the studs at the end holes marked in Step 3 of the "Mark Rear Wall."
- Using a keyhole saw, cut out the rectangular wall venting cutout area. Skip this step if for recirculation venting or roof venting installation.



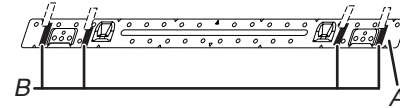
A. Wall Venting Cutout Area

Attach Mounting Plate to Wall

- Position mounting plate on the wall.

NOTE: It may be necessary to use a number of the spacers, between the mounting plate and the wall, to achieve a more 'Flush' appearance. Stick spacers before position mounting plate on the wall.

Measure from the back wall to where the front bottom surface of the microwave oven needs to be to determine the number of spacers needed.



A. Mounting Plate
B. 1/16" (1.6 mm) thickness

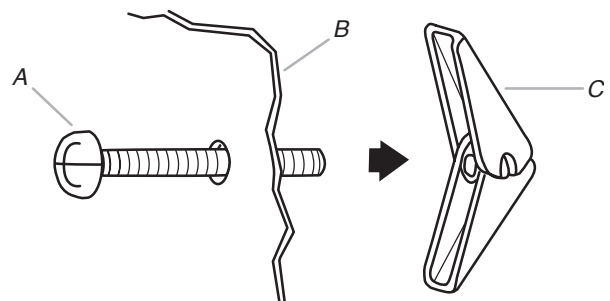
Depth of cabinet	Mounting plate
12" to 13" (30.5 cm to 33 cm)	Mounting plate
13 1/16" (33.2 cm)	Mounting plate + 4 pieces of spacer
13 1/8" (33.3 cm)	Mounting plate + 8 pieces of spacer

- Secure the mounting plate to the wall at both end holes drilled into the wall studs and/or drywall using either 3/16-24 x 3" round-head bolts and toggle nuts or 1/4 x 2" lag screws. Refer to illustrations in "Possible Wall Stud Configurations" in the "Locate Wall Stud(s)" section, and the following sections "No Wall Studs at End Holes (Figures 1 and 2 in Find the Wall Stud(s) section)" or "Wall Stud at One End Hole (Figure 3 in Find the wall Stud(s) section)".
- Insert lag screws into both end holes.
- Check alignment of mounting plate, making sure it is level.
- Secure the two end hole screws.

No Wall Studs at End Holes (Figures 1 and 2 in Find the Wall Stud(s) section)

NOTE: The mounting plate must be secured to the wall on at least 1 wall stud as well as at both ends.

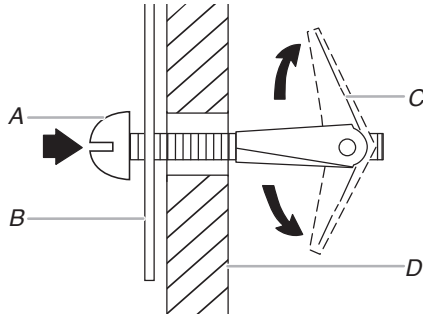
- With the support tabs of the mounting plate facing forward, insert 3/16-24 x 3" round-head bolts through both end holes of mounting plate.
- Start toggle nuts on bolts from the back of the mounting plate. Leave enough space for the toggle nuts to go through the wall and to open.



A. 3/16-24 x 3" round-head bolt
B. Mounting plate
C. Spring toggle nut

- Position mounting plate on the wall.

4. Push the 2 bolts with toggle nuts through the drywall, and finger tighten the bolts to make sure toggle nuts have opened against drywall.



- A. 3/16-24 x 3" round-head bolt
- B. Mounting plate
- C. Spring toggle nut
- D. Drywall

5. Insert lag screw(s) into the hole(s) drilled into wall stud(s) in Step 2 of "Installation for No Wall Studs at End Holes" in the "Drill Holes in Rear Wall" section.
6. Check alignment of mounting plate, making sure it is level.
7. Securely tighten all lag screws and bolts.

Wall Stud at One End Hole (Figure 3 in Find the Wall Stud(s) section)

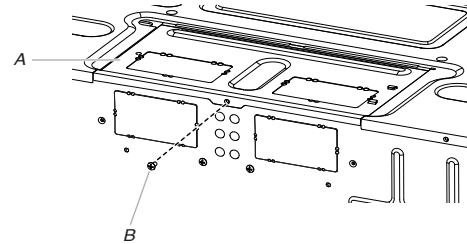
1. With the support tabs of the mounting plate facing forward, insert a 3/16-24 x 3" round-head bolt through the end hole that fits over the 5/8" (16 mm) hole drilled in step 3 of "Installation for Wall Stud at One End Hole" in the "Drill Holes in Rear Wall" section.
2. Start a toggle nut on the bolt from the back of the mounting plate. Leave enough space for the toggle nut to go through the wall and to open.
3. Position mounting plate on the wall.
4. Push the bolt with toggle nut through the drywall, and finger tighten the bolt to make sure toggle nut has opened against drywall.
5. Insert a lag screw into the remaining end hole.
6. If installing on a second wall stud, insert a lag screw into the other hole drilled in Step 2 of "Installation for Wall Stud at One End Hole" in the "Drill Holes in Rear Wall" section.
7. Check alignment of mounting plate, making sure it is level.
8. Securely tighten the lag screw(s) and bolt.

Rotate Blower Motor

This section include wall and roof venting installation, both venting installation need rotate blower motor, select one ventilation type before install the microwave oven. And follow the propriated instruction to rotate the blower motor. If for recirculation installation, no need to rotate the blower motor, this section can be skip.

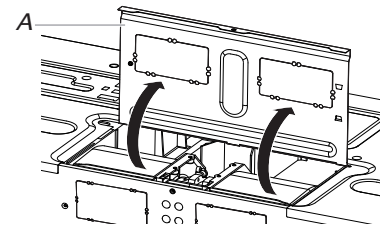
Rotate Blower Motor for Wall Venting Installation

1. Remove screws attaching damper plate to back of microwave oven, set the screws aside.



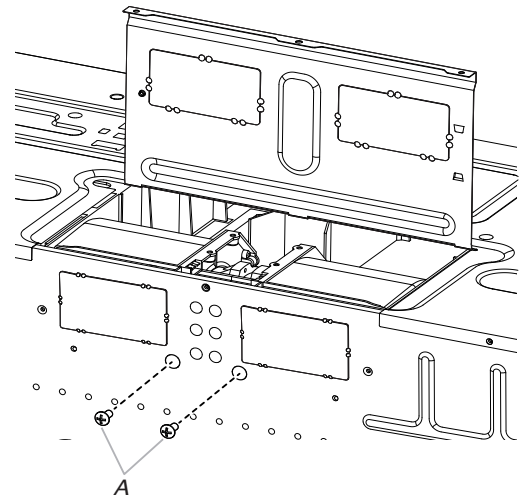
- A. Damper plate
- B. Screw

2. Turn and hold the damper plate vertically as shown.



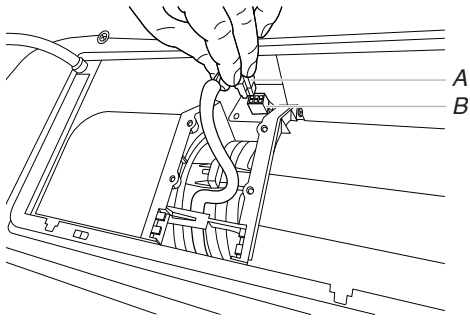
- A. Damper plate

3. Remove 2 blower screws attaching blower motor to the microwave oven, and set aside.



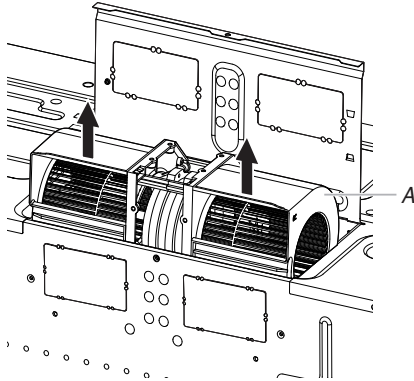
- A. Blower screws

4. Disconnect the blower motor wire from the connector.



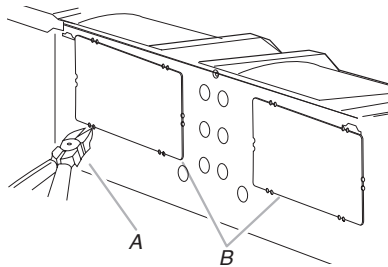
A. Blower motor wire
B. Connector

5. Lift blower motor out of microwave oven, and set aside.



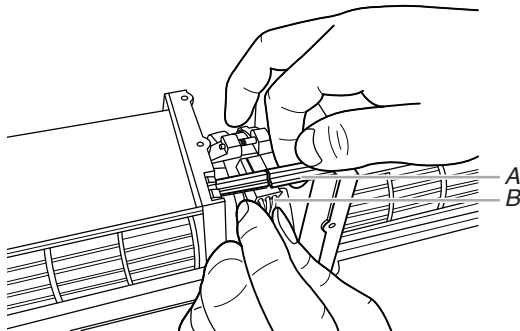
A. Blower motor

6. Using diagonal wire cutting pliers, gently snip out the rectangular damper vent covers at the perforations.



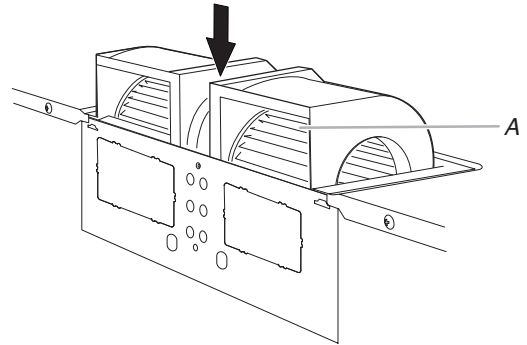
A. Diagonal wire cutting pliers
B. Rectangular damper vent cover

7. Hold the blower motor wire, put the wire through the blower motor bridge.



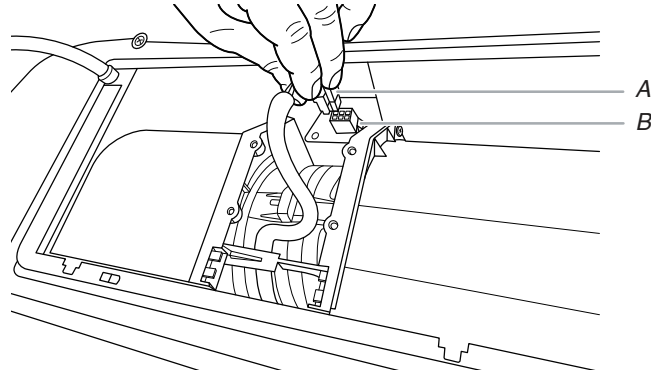
A. Blower motor bridge
B. Blower motor wire

8. Lower blower motor back into the microwave oven. Exhaust ports face the back of the microwave oven.



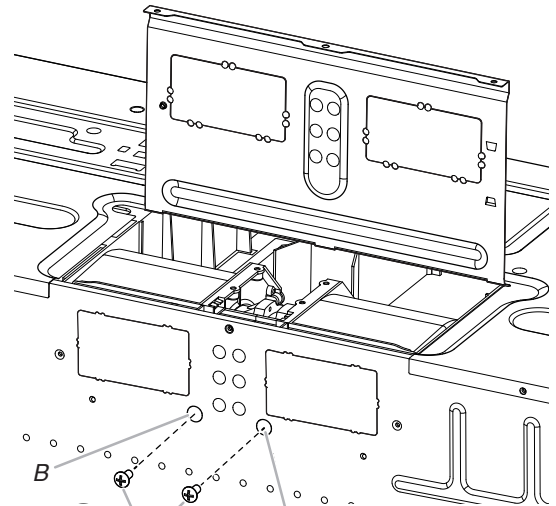
A. Exhaust Port

9. Reconnect the blower motor wire into the connector.



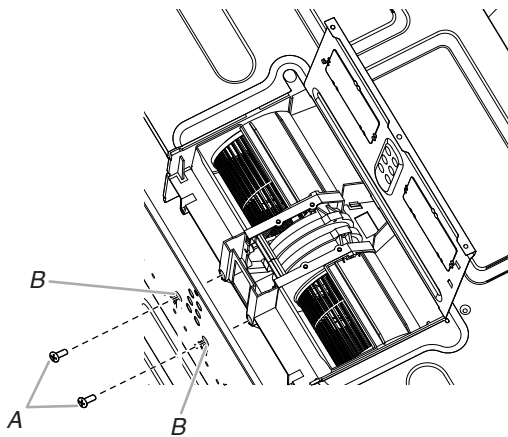
A. Blower motor wire
B. Connector

10. Reattach the 2 blower screws into the recessed holes in the back of the microwave.



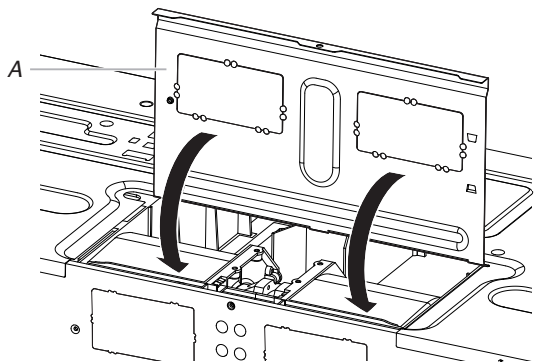
A. Screws
B. Holes

11. Check to make sure the 2 screws are secured properly in the blower motor screw holes, so that the motor cannot move.



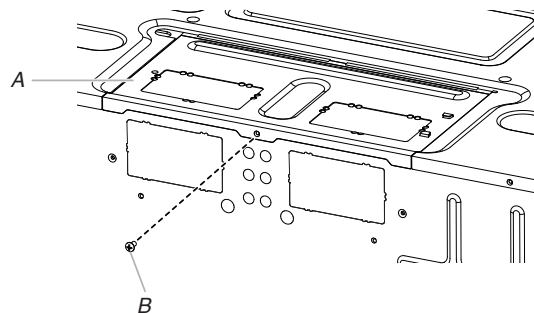
A. Screws
B. Blower motor screw holes

12. Return the damper plate to its original horizontal position.



A. Damper plate

13. Secure damper plate with 2 screws removed in Step 1.



A. Damper plate
B. Screw

⚠ WARNING

Electrical Shock Hazard

Plug into a grounded 3 prong outlet.

Do not remove ground prong.

Do not use an adapter.

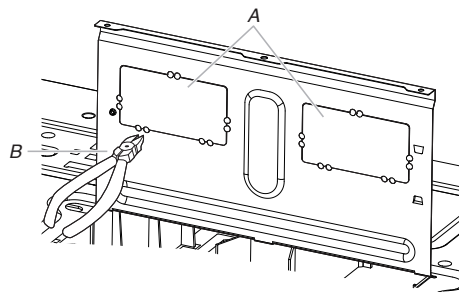
Do not use an extension cord.

Failure to follow these instructions can result in death, fire, or electrical shock.

14. Plug in the microwave oven. Check if the vent fan runs with abnormal sounds, go back through the steps to see which step was skipped.

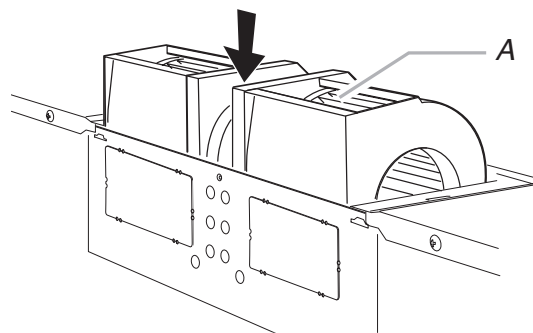
Rotate Blower Motor for Roof Venting Installation

1. Repeat Steps 1 to 5 from "Wall Venting Installation Only."
2. Using diagonal wire cutting pliers, gently snip out the rectangular vent covers on the damper plate at the perforations.



A. Rectangular vent covers
B. Diagonal wire cutting pliers

3. Lower blower motor back into microwave oven. Exhaust ports face the top of microwave oven.

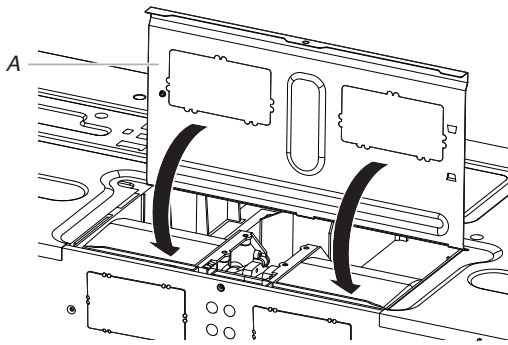


A. Exhaust port

IMPORTANT: If blower motor is not positioned with flat side facing the back of the microwave oven (as shown), performance will be poor.

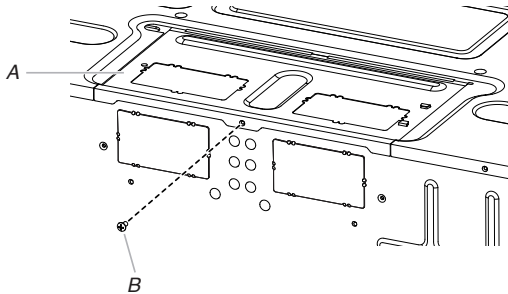
4. Reconnect the blower motor wire into the connector.
5. Reattach the 2 blower screws into the recessed holes in the back of the microwave.
6. Check to make sure the 2 screws are secured properly in the blower motor screw holes, so that the motor cannot move.

- Return the damper plate to its original horizontal position.



A. Damper plate

- Secure damper plate with screw removed in Step 1.



A. Damper plate
B. Screw

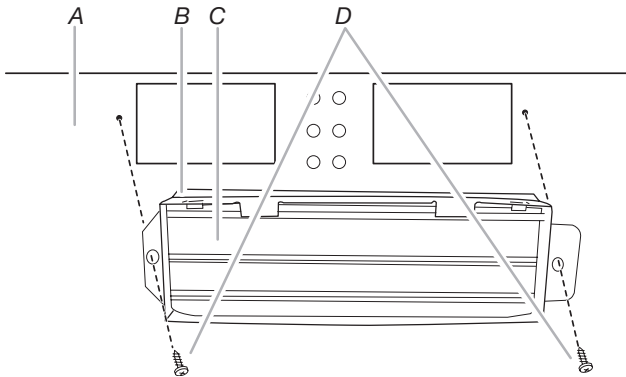
- Repeat Step 14 from "Wall Venting Installation Only."

Install Damper Assembly

If for recirculation installation, no need to install the damper assembly, this section can be skip. And save it for future use.

Install Damper Assembly for Wall Venting Installation

- Check that damper blade moves freely and opens fully.
- Position the damper assembly on the back of the microwave oven so that the damper blade hinge is at the top, and the damper blade opens away from the microwave oven.



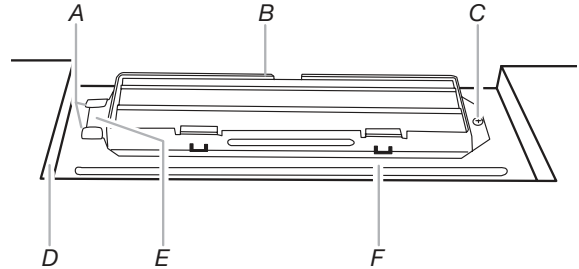
A. Back of microwave oven
B. Damper assembly
C. Damper blade
D. #6 x 3/8" Sheet metal screws

- Secure damper assembly with two #6 x 3/8" sheet metal screws.

Install Damper Assembly for Roof Venting Installation

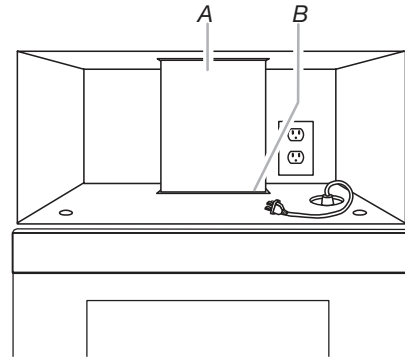
- Check that damper blade moves freely and opens fully.
- Insert damper assembly through the cabinet cutout so that the long tab of the damper assembly slides under the raised tabs of the damper plate. Then secure with #6 x 3/8" sheet metal screw.

NOTE: The screw cannot be installed if the damper assembly is not positioned as shown.



A. Raised tabs
B. Damper assembly
C. #6 x 3/8" Sheet metal screws
D. Upper cabinet cutout
E. Long tab
F. Damper plate screws

- Connect vent to damper assembly.



A. Vent
B. Damper assembly (under vent)

Install the Microwave Oven

⚠ WARNING

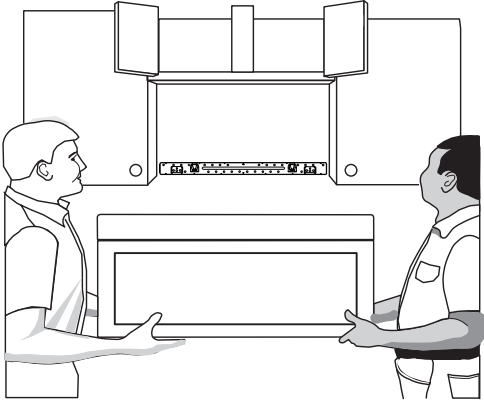
Excessive Weight Hazard

Use two or more people to move and install or uninstall appliance.

Failure to do so can result in back or other injury.

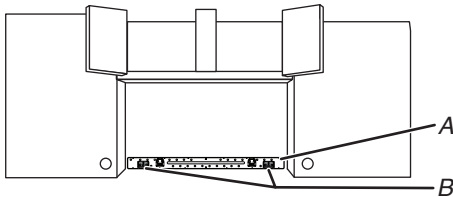
IMPORTANT: The control side of the microwave oven is the heavy side. Handle the microwave oven gently.

1. Place a washer on each 1/4–20 x 3" flat-head bolt and place inside upper cabinet near the 3/8" (10 mm) holes.
2. Make sure the microwave oven door is closed and taped shut.



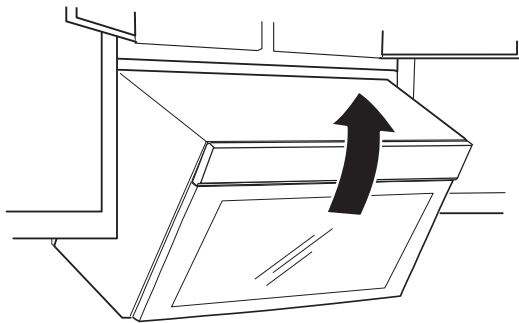
3. Using 2 or more people, lift microwave oven and hang it on support tabs at the bottom of mounting plate.

NOTE: To avoid damage to the microwave oven, do not grip or use the door or while the microwave oven is being handled.



A. Mounting plate
B. Support tabs

4. With front of microwave oven still tilted, thread power supply cord through the power supply cord hole in the bottom of the upper cabinet.

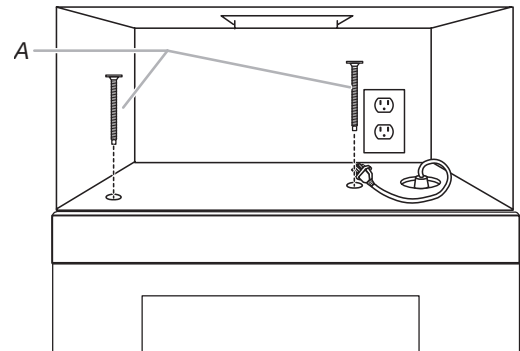


5. Rotate microwave oven up toward upper cabinet.
NOTE: If venting through the wall, make sure the damper assembly fits easily into the vent in the wall cutout.
6. Push microwave oven against mounting plate and hold in.
NOTE: If microwave oven does not need to be adjusted, skip steps 6 through 8.

7. If adjustment is required, rotate microwave oven downward. Using 2 or more people, lift microwave oven off of mounting plate, and set aside on a covered surface.
8. Loosen mounting plate screws. Adjust mounting plate and retighten screws.
9. Repeat steps 3 through 6.
10. With the microwave oven centered, and with at least one person holding it in place, insert bolts through upper cabinet into microwave oven. Tighten bolts until there is no gap between upper cabinet and microwave oven.

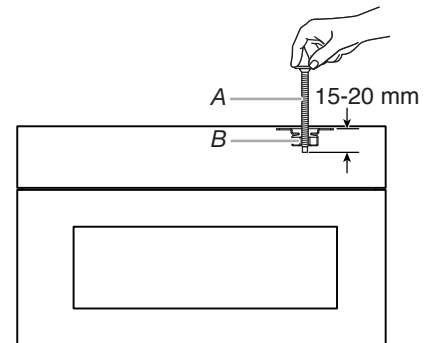
NOTES:

- Some upper cabinets may require bolts longer or shorter than 3" (7.6 cm). Longer or shorter bolts are available at most hardware stores.
- Overtightening bolts may warp the top of the microwave oven. To avoid warping, wood filter blocks (installer to provide) may be added. The blocks must be the same thickness as the space between the upper cabinet bottom and the microwave oven.



A. Bolts

- Avoid damage to the mounting nut, screw the bolts into the mounting nut holes around 15–20 mm by hand first, make sure the bolts thread in properly. Then tighten with tools.




A. Bolt
B. Mounting Nut

Complete Installation

1. Check that all parts are now installed. If there is an extra part, go back through the steps to see which step was skipped.
2. Dispose of/recycle all packaging materials.

⚠ WARNING



Electrical Shock Hazard

Plug into a grounded 3 prong outlet.

Do not remove ground prong.

Do not use an adapter.

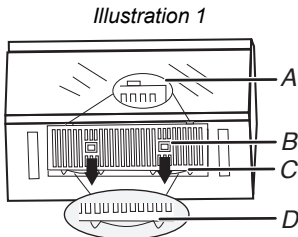
Do not use an extension cord.

Failure to follow these instructions can result in death, fire, or electrical shock.

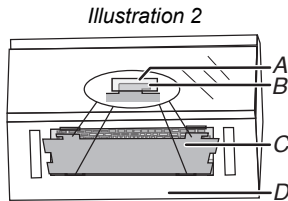
3. Plug microwave oven into grounded 3 prong outlet.
4. Reconnect power.
5. Check the operation of microwave oven by placing 1 cup (250 mL) of water on the cavity and programming a cook time of 1 minute at 100% power. Test vent fan and exhaust by operating the vent fan.
6. Check the vent door if auto open.
7. If the microwave oven does not operate:
 - Check that a household fuse has not blown, or that a circuit breaker has not tripped. Replace the fuse or reset the circuit breaker. If the problem continues, call an electrician.
 - Check that the power supply cord is plugged into a grounded 3 prong outlet.
 - See the User Instructions for troubleshooting information.
8. If for roof venting and wall venting, uninstall the charcoal filter before use, by following below steps.

To uninstall the charcoal filter:

- a. Disconnect power.
- b. Push the finger grips back and then pull down the grease filter from the bottom plate. Set aside the grease filter. Refer to the illustration 1 for more details.
- c. Pull the four hooks out to remove the charcoal filter from bottom plate. Refer to the illustration 2 for more details.
- d. Put the grease filter back into the bottom plate and the springs toward the back. Push the finger grips back, until the two tongues are in position, see illustration 1.



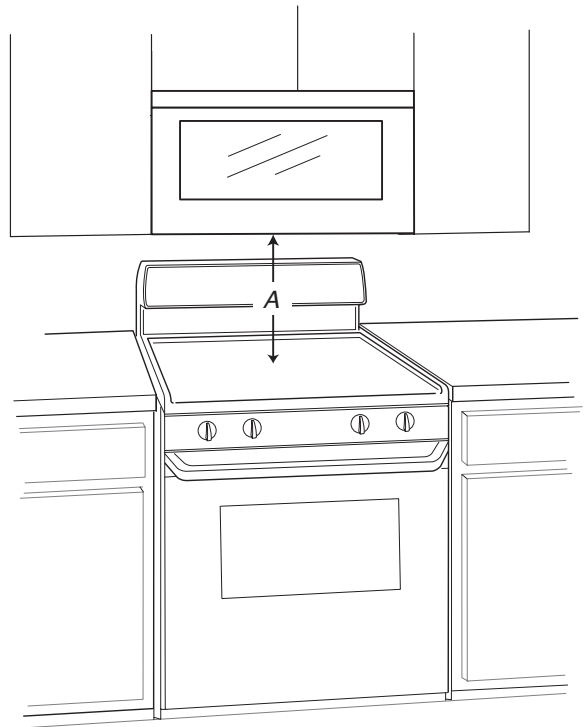
- A. Tongues
- B. Finger Grip
- C. Grease Filter
- D. Spring



- A. Holes
- B. Hooks
- C. Charcoal Filter
- D. Bottom Plate

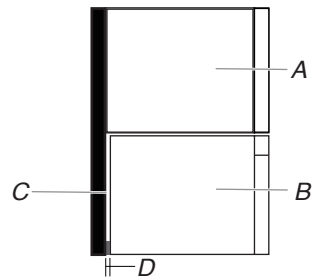
The installation is now complete.

Save Installation Instructions for future use.



A. The height from the highest point of the stove to the bottom of the microwave oven.

Minimum	Recommendation
12 ¹ / ₈ " (30.8 cm)	18 ¹ / ₈ " (46 cm)



- A. Cabinet
- B. Microwave oven
- C. Wall or back of the cabinet
- D. 1/2"-3/4" (1.3-1.9 cm)

VENTING DESIGN SPECIFICATIONS

This section is intended for architectural designer and builder/contractor reference only.

NOTES:

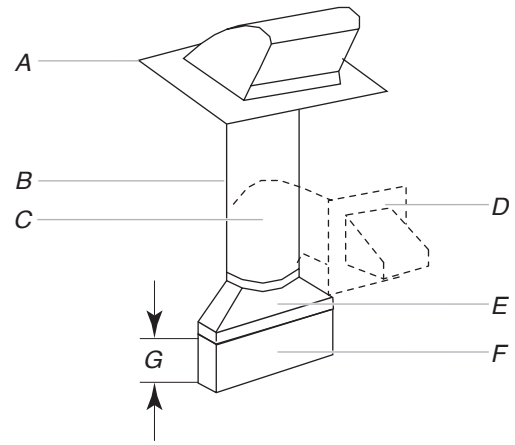
- Vent materials needed for installation are not provided with microwave hood combination.
- We do not recommend using a flexible metal vent.
- To avoid possible product damage, be sure to vent air outside, unless using recirculation installation. Do not vent exhaust air into concealed spaces, such as spaces within walls or ceilings, attics, crawl spaces or garages.

For optimal venting installation, we recommend:

- Using roof or wall caps that have backdraft dampers.
- Using a rigid metal vent.
- Using the most direct route by minimizing the length of the vent and number of elbows to provide efficient performance.
- Using uniformly sized vents.
- Using duct tape to seal all joints in the vent system.
- Using caulking compound to seal exterior wall or roof opening around cap.
- Not installing 2 elbows together, for optimal hood performance.

If venting through the wall, be sure that there is proper clearance within the wall for the damper to open fully.

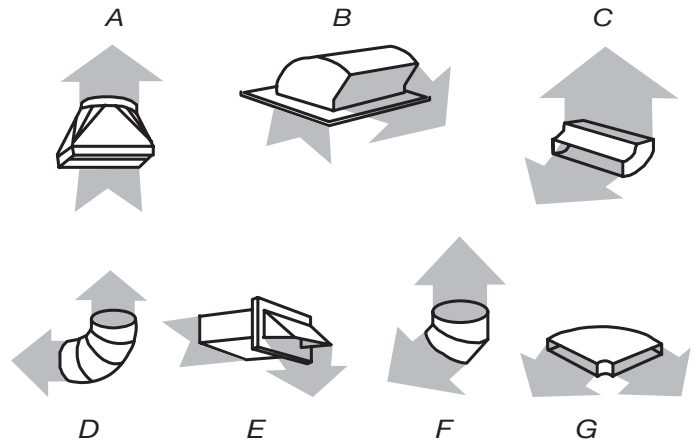
If venting through the roof, and rectangular-to-round transition is used, be sure there are at least 3" (7.6 cm) of clearance between the top of the microwave oven and the transition piece. See "Rectangular-to-Round Transition" illustration.



- A. Roof cap
- B. 6" (152 mm) minimum diameter round vent
- C. Elbow (for wall venting only)
- D. Wall cap
- E. 3 1/4" x 10" to 6" (8.3 x 25.4 cm to 15.2 cm) a rectangular-to-round transition piece
- F. Vent extension piece, at least 3" (7.6 cm) high
- G. 3" (7.6 cm)

Recommended Standard Fittings

The following length equivalents are for use when figuring vent length. See the examples in "Recommended Vent Length."



- A. Rectangular-to-round transition piece: 3 1/4" x 10" to 6" = 5 ft (8.3 x 25.4 cm to 15.2 cm = 1.5 m)
- B. Roof cap: 3 1/4" x 10" = 24 ft (8.3 x 25.4 cm = 7.3 m)
- C. 90° elbow: 3 1/4" x 10" = 25 ft (8.3 x 25.4 cm = 7.6 m)
- D. 90° elbow: 6" = 10 ft (15.2 cm = 3 m)
- E. Wall cap: 3 1/4" x 10" = 40 ft (8.3 x 25.4 cm = 12.2 m)
- F. 45° elbow: 6" = 5 ft (15.2 cm = 1.5 m)
- G. 90° flat elbow: 3 1/4" x 10" = 10 ft (8.3 x 25.4 cm = 3 m)

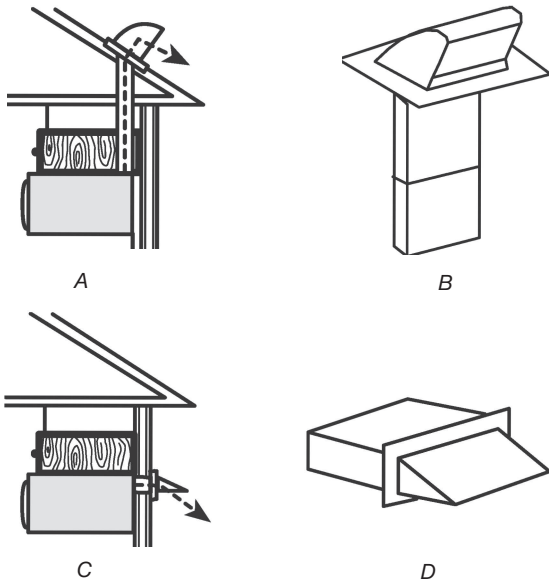
Recommended Vent Length

A 3 1/4" x 10" (8.3 x 25.4 cm) rectangular or 6" (15.2 cm) round vent should be used.

The total length of the vent system including straight vent, elbow(s), transitions and wall or roof caps must not exceed the equivalent of 140 ft (42.7 m) for either type of vent. See the "Recommended Standard Fittings" section for equivalent lengths.

For best performance, use no more than three 90° elbows.

To calculate the length of the system you need, add the equivalent lengths of each vent piece used in the system. See the following examples:



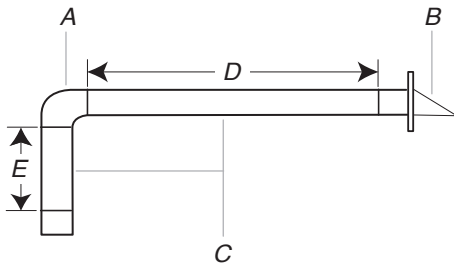
- A. Roof venting
- B. Roof cap

- C. Wall venting
- D. Wall cap

Rectangular-to-Round Transition

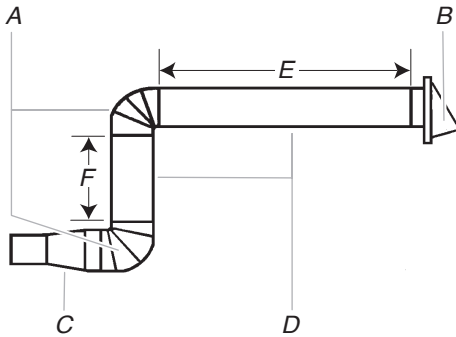
NOTE: The minimum 3" (7.6 cm) clearance must exist between the top of the microwave oven and the rectangular-to-round transition piece so that the damper can open freely and fully.

3 1/4" x 10" (8.3 x 25.4 cm) vent system = 73 ft (22.2 m) total



- A. One 3 1/4" x 10" (8.3 x 25.4 cm) 90° elbow = 25 ft (7.6 m)
- B. 1 wall cap = 40 ft (12.2 m)
- C. 2 ft (0.6 m) + 6 ft (1.8 m) straight = 8 ft (2.4 m)
- D. 6 ft (1.8 m)
- E. 2 ft (0.6 m)

6" (152 mm) vent system = 73 ft (22.2 m) total



- A. Two 90° elbows = 20 ft (6.1 m)
- B. 1 wall cap = 40 ft (12.2 m)
- C. 1 rectangular-to-round transition piece = 5 ft (1.5 m)
- D. 2 ft (0.6 m) + 6 ft (1.8 m) straight = 8 ft (2.4 m)
- E. 6 ft (1.8 m)
- F. 2 ft (0.6 m)

If the existing vent is round, a rectangular to round transition piece must be used. In addition, a rectangular 3" (7.6 cm) extension vent between the damper assembly and rectangular to round transition piece must be installed to keep the damper from sticking.

SEGURIDAD DEL HORNO MICROONDAS

Su seguridad y la de los demás son muy importantes.

Hemos incluido muchos mensajes importantes de seguridad en este manual y en su electrodoméstico. Lea y obedezca siempre todos los mensajes de seguridad.



Este es el símbolo de advertencia de seguridad.

Este símbolo le llama la atención sobre peligros potenciales que pueden ocasionar la muerte o una lesión a usted y a los demás.

Todos los mensajes de seguridad irán a continuación del símbolo de advertencia de seguridad y de la palabra "PELIGRO" o "ADVERTENCIA". Estas palabras significan:

⚠ PELIGRO

Usted puede morir o sufrir una lesión grave si no sigue de inmediato las instrucciones.

⚠ ADVERTENCIA

Si no sigue las instrucciones, puede morir o sufrir una lesión grave.

Todos los mensajes de seguridad le dirán cuál es el peligro potencial, cómo reducir las posibilidades de sufrir una lesión y lo que puede suceder si no se siguen las instrucciones.

INSTRUCCIONES DE SEGURIDAD IMPORTANTES

Al utilizar aparatos eléctricos, se deben seguir siempre las precauciones básicas de seguridad, entre las que se incluyen las siguientes:

ADVERTENCIA: Para minimizar el riesgo de quemaduras, choque eléctrico, incendio, lesiones a las personas o exposición a energía de microondas excesiva:

- Lea todas las instrucciones antes de usar el electrodoméstico.
- Lea y siga las "PRECAUCIONES PARA EVITAR LA POSIBLE EXPOSICIÓN A ENERGÍA DE MICROONDAS EXCESIVA" específicas que se muestran en este manual.
- Este electrodoméstico debe estar conectado a tierra. Conéctelo solamente a un contacto debidamente conectado a tierra. Consulte las "INSTRUCCIONES DE CONEXIÓN A TIERRA" que se muestran en esta sección.
- Instale o ubique este electrodoméstico solo según las instrucciones de instalación proporcionadas.
- Algunos productos, como los huevos enteros y los contenedores cerrados (por ejemplo, frascos de vidrio cerrados), pueden explotar y no deben calentarse en este horno.
- Utilice este electrodoméstico solo para su uso previsto como se indica en este manual. No utilice químicos corrosivos o vapores en este electrodoméstico. Este tipo de horno se encuentra diseñado específicamente para calentar, cocinar o secar alimentos. No está diseñado para uso de laboratorio o industrial.
- EL CONTENIDO CALIENTE PUEDE PROVOCAR QUEMADURAS GRAVES. NO PERMITA QUE LOS NIÑOS USEN EL MICROONDAS. Tenga cuidado al retirar artículos calientes.
- No encienda el electrodoméstico si el cable o enchufe se encuentran dañados, no están funcionando adecuadamente o han sufrido daños o caídas.
- Solo personal calificado debe realizar el mantenimiento del electrodoméstico. Comuníquese con el lugar más cercano de servicio autorizado para su examen, reparación o ajuste.
- No cubra ni bloquee ninguna abertura del electrodoméstico.
- No almacene el electrodoméstico en exteriores. No use este producto cerca del agua, por ejemplo, cerca de un fregadero, en un sótano húmedo, o cerca de una piscina o lugares similares.
- No sumerja el cable ni el enchufe en agua.
- Mantenga el cable lejos de las superficies calientes.
- No deje que el cable cuelgue del borde de la mesa o del mostrador.
- No use piezas de repuesto que no hayan sido recomendadas por el fabricante (por ejemplo, piezas hechas en casa con una impresora 3D).
- Vea las instrucciones de limpieza de la superficie de la puerta en la sección "Mantenimiento y Cuidado del Horno Microondas".
- Los líquidos, como el agua, café o té, pueden sobrepasar el punto de ebullición sin que parezca que están hirviendo. La ebullición o las burbujas visibles no se encuentran siempre presentes al retirar el contenedor del horno microondas. ESTO PUEDE RESULTAR EN LÍQUIDOS MUY CALIENTES QUE HIERVEN REPENTINAMENTE AL MOVER EL CONTENEDOR O INSERTAR UN UTENSILIO EN EL LÍQUIDO.
- No ponga a funcionar ningún aparato de calefacción ni de cocción debajo de este electrodoméstico.

CONSERVE ESTAS INSTRUCCIONES

INSTRUCCIONES DE SEGURIDAD IMPORTANTES

Al utilizar aparatos eléctricos, se deben seguir siempre las precauciones básicas de seguridad, entre las que se incluyen las siguientes:

ADVERTENCIA: Para minimizar el riesgo de quemaduras, choque eléctrico, incendio, lesiones a las personas o exposición a energía de microondas excesiva:

- No instale la unidad sobre un aparato de calefacción o cocción, ni cerca de ninguna parte de este.
- No monte el electrodoméstico sobre un fregadero.
- No almacene nada directamente encima de la superficie del electrodoméstico mientras esté en funcionamiento.
- Limpie las Campanas de Ventilación con frecuencia – No se debe dejar que la grasa se acumule en la campana o en el filtro.
- Al flamear los alimentos debajo de la campana, encienda el ventilador.
- Apto para uso sobre equipos de cocina a gas o eléctricos.
- Para usarse sobre cocinas de 36" (91,44 cm) de ancho como máximo.
- No toque ni limpie la placa de calentamiento después de la cocción con tostado, está muy caliente.
- Limpie el filtro de ventilación con cuidado. Los agentes de limpieza corrosivos, como aquellos limpiadores de horno a base de lejía, pueden dañar el filtro.
- Para reducir el riesgo de incendio en la cavidad del horno:
 - No recueza los alimentos. Vigile el electrodoméstico si utiliza papel, plástico u otros materiales combustibles dentro de este para facilitar la cocción.
 - Retire las amarras de alambre de las bolsas de papel o plástico antes de introducirlas en el horno.
 - Si algún material se incendia dentro del horno, manténgala puerta cerrada, apague el horno y desenchúfelo o corte la corriente en el panel de fusibles o del disyuntor.
 - No utilice la cavidad para almacenar objetos. No deje productos de papel, utensilios de cocina o alimentos en la cavidad cuando no se encuentre en uso.
- No deben insertarse en un horno microondas alimentos ni utensilios de metal demasiado grandes, ya que pueden constituir un riesgo de incendio o de choque eléctrico.
- No lo limpie con estropajos de metal. Pueden quemarse partes del estropajo y tocar piezas eléctricas, ocasionando un riesgo de choque eléctrico.
- No utilice productos de papel cuando el electrodoméstico funcione en modo tostador.
- No guarde ningún material diferente de los accesorios recomendados por el fabricante en este horno para mostrador cuando no esté en uso.
- No cubra las parrillas ni ninguna otra parte del horno con papel de aluminio. Esto hará que se recaliente el horno.

CONSERVE ESTAS INSTRUCCIONES

PRECAUCIONES PARA EVITAR UNA POSIBLE EXPOSICIÓN A UNA ENERGÍA EXCESIVA DE MICROONDAS

- (a) No intente operar este horno si la puerta está abierta, ya que el funcionamiento con la puerta abierta puede resultar en una exposición nociva a la energía del microondas. Es importante no anular ni alterar los bloqueos de seguridad.
- (b) No coloque ningún objeto entre la cara frontal del horno y la puerta, ni permita que se acumule suciedad ni residuos de productos de limpieza en las superficies de sellado.
- (c) No ponga a funcionar el horno si está dañado. Es muy importante que la puerta del horno cierre de la manera adecuada y que no haya daños en:
 - (1) la puerta (doblada),
 - (2) las bisagras y cerraduras (rotas o flojas),
 - (3) los sellos de la puerta y en las superficies de sellado.
- (d) El horno debe ser reparado o ajustado solo por personal de servicio calificado.

Guía de Conectividad a Internet solo para Electrodomésticos Conectados

IMPORTANTE: Usted es responsable de instalar debidamente su electrodoméstico antes del uso. Asegúrese de leer y seguir las instrucciones de instalación proporcionadas con su electrodoméstico.

La conectividad requiere Wi-Fi y la creación de una cuenta. Las características y las funciones de la aplicación están sujetas a cambios. Es posible que se apliquen tarifas para transmisión de datos. Una vez instalada, inicie la aplicación. Será guiado por los pasos necesarios para configurar una cuenta de usuario y conectar su electrodoméstico.

Necesitará:

- Un enrutador inalámbrico doméstico que admita Wi-Fi, 2,4 GHz con seguridad WPA2. Si no está seguro de la capacidad de su router, consulte las instrucciones del fabricante del router.
- El router debe estar encendido y tener una conexión activa a Internet.
- El código SAID de 10 caracteres para su electrodoméstico. El código SAID está impreso en una etiqueta en el electrodoméstico o puede encontrarlo en la pantalla LCD.

Aviso de Conformidad con la Comisión Federal de Comunicaciones (FCC)

Este dispositivo cumple con la Parte 15 de las Reglas de la FCC. El funcionamiento está sujeto a las siguientes dos condiciones:

1. Este aparato no provocará interferencias nocivas y
2. Este aparato debe aceptar cualquier interferencia recibida, incluida una que pueda causar un funcionamiento no deseado.

Los cambios o las modificaciones sin aprobación expresa de la parte responsable del cumplimiento podrían anular la autorización del usuario para operar el equipo.

Aviso de Conformidad con Industry Canada (IC)

Este Dispositivo cumple con las normas RSS Exentas de Licencia de Industry Canada. El funcionamiento está sujeto a las siguientes dos condiciones:

1. Es posible que este dispositivo no cause interferencia.
2. Este dispositivo debe aceptar cualquier interferencia, incluida aquella que pueda causar un funcionamiento no deseado del dispositivo.

Según la normativa de Industry Canada, este radiotransmisor solo puede operar con una antena de un tipo y máxima (o menor) ganancia aprobada para el transmisor por Industry Canada. Para reducir la potencial interferencia de radio para otros usuarios, el tipo de antena y su ganancia deben elegirse de modo que la potencia radiada isotrópicamente equivalente (e.i.r.p.) no sea mayor que la necesaria para una comunicación satisfactoria.

Para cumplir con los límites de exposición a radiación RF de la FCC e Industry Canada para la población general, las antenas usadas para este transmisor deben instalarse de modo que se mantenga una distancia de separación mínima de 20 cm entre el radiador (antena) y todas las personas en todo momento y no se debe ubicar ni operar junto con ninguna otra antena o transmisor.

Si este equipo de hecho causa interferencia perjudicial a la recepción de radio o televisión, lo cual se puede determinar apagando y encendiendo el equipo, se recomienda al usuario que intente corregir la interferencia con una de las siguientes medidas:

- Reoriente o reubique la antena receptora.
- Aumente la separación entre el equipo y el receptor.
- Conecte el equipo a un tomacorriente en un circuito diferente del que se usa para conectar el receptor.
- Consulte al distribuidor o a un técnico en radio/TV con experiencia en caso de necesitar ayuda.

Precaución de FCC

- Los cambios o las modificaciones sin aprobación expresa de Whirlpool Corporation podrían anular la autorización del usuario para operar el equipo.
- Las antenas usadas para este transmisor deben instalarse de modo que se mantenga una distancia de separación mínima de 20 cm entre el radiador (antena) y todas las personas en todo momento y no se debe ubicar ni operar junto con ninguna otra antena o transmisor.

Declaraciones de conformidad con la Parte 15B para dispositivos digitales:

NOTA: Este equipo ha sido evaluado y se determinó que cumple con los límites para un dispositivo digital de clase B, de acuerdo con la Parte 15 de las Reglas de la FCC. Estos límites están destinados a proporcionar una protección razonable contra interferencia perjudicial en una instalación residencial. Este equipo genera, usa y puede irradiar energía de radiofrecuencia y, si no se instala y usa según las instrucciones, puede causar interferencia perjudicial en las radiocomunicaciones. Sin embargo, no se garantiza que la interferencia no se produzca en una instalación determinada. Si este equipo de hecho causa interferencia perjudicial a la recepción de radio o televisión, lo cual se puede determinar apagando y encendiendo el equipo, se recomienda al usuario que intente corregir la interferencia con una de las siguientes medidas:

- Reoriente o reubique la antena receptora.
- Aumente la separación entre el equipo y el receptor.
- Conecte el equipo a un tomacorriente en un circuito diferente del que se usa para conectar el receptor.
- Consulte al distribuidor o a un técnico en radio/TV con experiencia en caso de necesitar ayuda.

El manual del usuario del producto final debe incluir la siguiente información en una instrucción que esté en un lugar destacado:

Para cumplir con los límites de exposición a radiación RF de la FCC e Industry Canada para la población general, las antenas usadas para este transmisor deben instalarse de modo que se mantenga una distancia de separación mínima de 20 cm entre el radiador (antena) y todas las personas en todo momento y no se debe co-ubicar ni operar junto con ninguna otra antena o transmisor.

Responsabilidades del OEM de cumplir con las Normativas de la FCC

Los Módulos UI rebel han sido certificados para su integración en productos solamente por integradores OEM bajo las siguientes condiciones:

1. Las antenas deben instalarse de modo que se mantenga una distancia de separación mínima de 20 cm entre el radiador (antena) y todas las personas en todo momento.
2. El módulo transmisor no se debe ubicar ni operar junto con ninguna otra antena o transmisor.

Siempre y cuando las dos condiciones anteriores se cumplan, no se requerirán otras pruebas del transmisor. Sin embargo, el integrador OEM es igualmente responsable de hacer pruebas a su producto final para cualquier requisito de conformidad adicional requerido con este módulo instalado (por ejemplo, emisiones de dispositivos digitales, requisitos de PC periféricas, etc.).

IMPORTANTE: En el caso de que no se puedan cumplir estas condiciones (para determinadas configuraciones o co-ubicación con otro transmisor), las autorizaciones de la FCC dejarán de considerarse válidas y la ID de la FCC no podrá utilizarse en el producto final. En estas circunstancias, el integrador OEM será responsable de volver a evaluar el producto final (incluido el transmisor) y de obtener una autorización de la FCC por separado.

Etiquetas del Producto Final

Este módulo está etiquetado con una identificación FCC. Si la ID de la FCC no está visible cuando el módulo se instala dentro de otro aparato, el exterior del aparato dentro del cual se instale el módulo también debe mostrar una etiqueta que mencione el módulo incluido. En ese caso, el producto final deberá etiquetarse en una zona visible o mostrar lo siguiente:

“Contains FCC ID: 2AC7Z-RIGEL”

El OEM de este módulo solo debe utilizar las antenas aprobadas, que han sido certificadas con este módulo. El integrador OEM debe tener presente que no debe brindar información al usuario final sobre cómo instalar o retirar este módulo de RF o cómo cambiar parámetros relacionados con RF en el manual del usuario del producto final.

MANTENIMIENTO Y CUIDADO DEL HORNO MICROONDAS

Limpieza General

IMPORTANTE: Antes de la limpieza, asegúrese de que todos los controles estén apagados y que el horno microondas esté frío. Siempre siga las instrucciones de las etiquetas de los productos de limpieza.

En primer lugar, se sugiere el empleo de jabón, agua y una esponja o paño suave, salvo que se indique lo contrario.

ACERO INOXIDABLE Y ACERO INOXIDABLE NEGRO (en algunos modelos)

NOTA: Para evitar daños a las superficies de acero inoxidable, no use estropajos precargados con jabón, productos de limpieza abrasivos, limpiador para superficies de cocción, estropajos de lana de acero, paños de lavar ásperos o toallas de papel abrasivas. Se podrían producir daños en las superficies de acero inoxidable, incluso aunque solo se usen una vez o de forma limitada.

Frote en la dirección de la veta para evitar daños.

Método de limpieza:

- Affresh®+ Limpiador de acero inoxidable núm. de pieza W10355016 (no incluido) o toallitas limpiadoras de acero inoxidable Affresh® núm. de pieza W1055049 (no incluido): Para obtener información sobre pedidos, consulte la Guía de inicio rápido.
- Vinagre para manchas de agua dura.

EXTERIOR DE LA PUERTA DEL HORNO MICROONDAS

Método de limpieza:

- Limpiavidrios y un paño o una esponja a suave: Aplique el limpiavidrios en una esponja o paño suave, no directamente sobre el panel.
- Affresh® para cocina y electrodomésticos, núm. de pieza W10355010 (no se incluye): Para pedirlo consulte la "Información de pedidos en línea" de la Guía de inicio rápido.

REVESTIMIENTO ANTIADHERENTE DE LA CAVIDAD (en algunos modelos)

Para evitar daños en la cavidad del horno microondas, no use utensilios metálicos o afilados ni raspadores o cualquier tipo de limpiador o estropajo abrasivo.

CAVIDAD DEL HORNO MICROONDAS

Para evitar daños en la cavidad del horno microondas, no use estropajos precargados con jabón, limpiadores abrasivos, estropajos de lana de acero, paños de lavar ásperos o algunas toallas de papel.

En los modelos de acero inoxidable, frote en la dirección de la veta para evitar daños.

Se debe mantener limpia la zona donde la puerta del horno microondas hace contacto con el marco cuando está cerrada.

Método de limpieza:

Suciedad promedio

- Jabones y detergentes suaves, no abrasivos: Enjuague con agua limpia y seque con un paño suave que no deje pelusa.

Suciedad profunda

- Jabones y detergentes suaves, no abrasivos: Caliente 1 taza (250 ml) de agua durante 2 a 5 minutos en el horno microondas. El vapor ablandará la suciedad. Enjuague con agua limpia y seque con un paño suave que no deje pelusa.

Olores

- Jugo de limón o vinagre: Caliente 1 taza (250 ml) de agua con 1 cucharada (15 ml) de jugo de limón o vinagre durante 2 a 5 minutos en el horno microondas.

FILTROS DE GRASA

- Producto de limpieza suave y estropajo
- Lavavajillas

SOPORTE PARA CABLES

- Estropajo de lana de acero
- Lavavajillas

TOSTADORA (en algunos modelos)

- Producto de limpieza suave y estropajo
- Lavavajillas

CESTA PARA FREÍR SIN ACEITE (en algunos modelos)

- Estropajo de lana de acero
- Lavavajillas

LENTE DEL SENSOR IR (en algunos modelos)

- Limpiador de lentes y bastoncillo sin pelusa

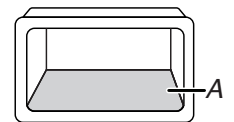
Limpie la lente del sensor IR cuando la pantalla muestre el recordatorio de limpieza, espere a que el producto se ponga en reposo y se enfríe. O limpie cuando sea necesario.

Consulte la sección "Limpiar la lente del sensor IR" para más detalles.

PLACA DE CALENTAMIENTO EMPOTRADA (en algunos modelos)

- Limpiavidrios y un paño o una esponja a suave

En algunos modelos hay una placa de calentamiento empotrada bajo el fondo del horno. Después de algunas cocciones, el cristal del fondo del horno se calienta mucho (para más detalles, consulte la "Guía de control en línea"). Limpie el cristal después de que el mensaje "Oven too hot" (Horno demasiado caliente) haya desaparecido de la pantalla.



A. Placa de calentamiento empotrada

SONDA (en algunos modelos)

- Jabón y agua tibia

La sonda solo puede lavarse a mano. Sujete el extremo de goma, lave suavemente con jabón y agua tibia. Enjuague y seque bien antes de guardar. Colóquelo en una caja de almacenamiento suministrada para facilitar el acceso. Mantenga la caja de almacenamiento limpia de alimentos y residuos. Consulte la Guía rápida de inicio para obtener más información.

Limpiar la lente del sensor IR: (en algunos modelos)

El sensor IR está situado en el lado derecho de la parte superior de la cavidad. Límpielo cuando la pantalla muestre el recordatorio de limpieza o manualmente si es necesario.

NOTA: Espere a que el producto se ponga en reposo y se enfríe.

Para limpiar la lente del sensor IR cuando aparezca el recordatorio:

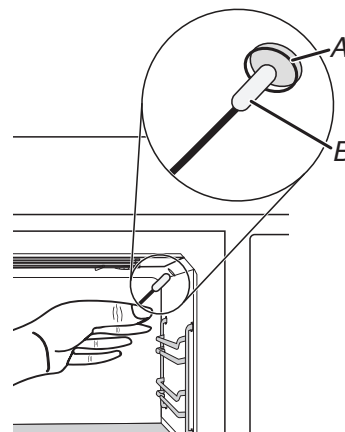
1. Siga las instrucciones de la pantalla para limpiarlo.
2. Use el limpiador de lentes y un bastoncillo sin pelusa para limpiarlo.
3. Tras la limpieza, se cerrará el protector de IR.
4. Presione el botón CONFIRM/MENU (CONFIRMAR/MENÚ) para volver a la posición de reposo.

NOTA: Pulse el botón BACK (ATRÁS) para salir del recordatorio si no limpia el lente en ese momento, el recordatorio volverá a aparecer en 7 días. Las demás funciones funcionarán como de costumbre, excepto la función de cocción con sensor IR.

Para limpiar la lente del sensor IR a diario:

Si el rendimiento de la función de cocción del sensor IR no es bueno, puede limpiar la lente IR en cualquier momento.

1. Pulse el botón Settings (Ajustes) y el botón de flecha hasta el submenú Clean & Maintenance (Limpieza y mantenimiento).
2. Use la tecla de flecha para seleccionar IR Cleaning (Limpieza de IR) y presione el botón CONFIRM/MENU (CONFIRMAR/MENÚ) para seleccionar la limpieza de IR.
3. Use el limpiador de lentes y el hisopo sin pelusa para limpiar la lente cuando se abra el protector de IR.
4. Tras la limpieza, se cerrará el protector de IR.
5. Presione el botón CONFIRM/MENU (CONFIRMAR/MENÚ) para volver a la posición de reposo.



A. Lente del sensor IR
B. Hisopo sin pelusa con lente

Limpiar/sustituir el filtro de grasa:

El filtro para grasa se encuentra en la cara interior del horno microondas. Limpie mensualmente.

Para limpiar el filtro de grasa:

Desconecte el suministro eléctrico.

Retire el filtro de grasa empujando hacia atrás las áreas rebordeadas y tirando hacia abajo de la placa inferior, véase la ilustración 1.

Limpie el filtro para grasa con un limpiador suave y estropajo o con lavavajillas.

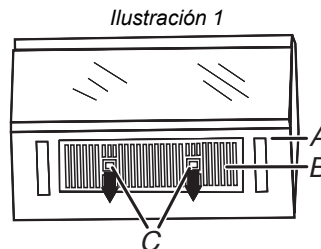
Después de limpiar el filtro de grasa, séquelo y vuelva a colocarlo en la placa inferior, con los muelles hacia atrás, empujando las áreas rebordeadas hacia atrás, hasta que las dos lengüetas estén en posición, véase la ilustración 2.

Para sustituir un filtro de grasa nuevo:

Desconecte el suministro eléctrico.

Retire el filtro de grasa empujando hacia atrás las áreas rebordeadas y tirando hacia abajo de la placa inferior, véase la ilustración 1.

Sustituya un filtro de grasa nuevo colocando el filtro de grasa en la placa inferior, con los muelles hacia atrás, empujando las áreas rebordeadas hacia atrás, hasta que las dos lengüetas estén en posición, véase la ilustración 2.



A. Placa inferior
B. Filtro de grasa
C. Áreas rebordeadas

Cómo sustituir el filtro de carbón:

El filtro de carbón está detrás del filtro de grasa. No puede limpiarse y debe reemplazarse cada 6 meses, mientras la pantalla muestra la alerta de filtro "Change the Charcoal Filter and reset reminder in Settings" (Cambiar el filtro de carbón y restablecer recordatorio en Configuración).

Para sustituir el filtro de carbón:

Desconecte el suministro eléctrico.

Retire el filtro de grasa empujando hacia atrás las áreas rebordeadas y después tire hacia abajo de la placa inferior y déjelo a un lado, véase la ilustración 1.

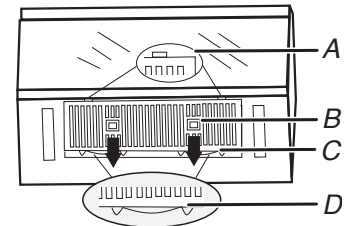
Extraiga el filtro de carbón de la placa inferior tirando de los cuatro ganchos hacia fuera, véase la ilustración 3.

Reemplace el filtro de carbón antiguo con un filtro de carbón nuevo.

Vuelva a colocar el filtro de carbón en la placa inferior, inserte los cuatro ganchos en los orificios de la placa inferior.

Vuelva a colocar el filtro de grasa en la placa inferior y los muelles hacia atrás. Empuje las áreas rebordeadas hacia atrás, hasta que las dos lengüetas estén en posición, véase la ilustración 2.

Ilustración 2



- A. Lengüetas
B. Área rebordeada
C. Filtro de grasa
D. Muelle

Para quitar la alerta del filtro y restablecer su duración:

Después de sustituir el filtro de carbón, para eliminar la alerta de filtro en la pantalla, recupere otros 6 meses de duración.

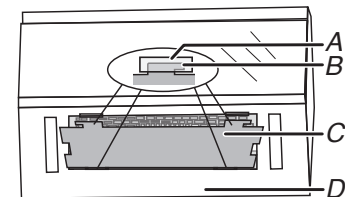
Presione el botón Settings (Ajustes), use el botón de flecha para seleccionar el submenú Cleaning & Maintenance (Limpieza y mantenimiento), presione el botón CONFIRM/MENU (CONFIRMAR/MENÚ) para entrar.

Use el botón de flecha para seleccionar el submenú Reset Filter (Restablecer filtro), presione el botón CONFIRM/MENU (CONFIRMAR/MENÚ) para restablecer.

El filtro de carbón recupera ahora otros 6 meses de duración.

NOTA: Para la ventilación en el techo y la ventilación en la pared, el filtro de carbón no es necesario, pero la alerta del filtro seguirá apareciendo cada 6 meses. Puede seguir los pasos anteriores para eliminar la alerta.

Ilustración 3



- A. Orificios
B. Ganchos
C. Filtro de carbón
D. Placa inferior

INSTRUCCIONES DE INSTALACIÓN

REQUISITOS

Herramientas y piezas


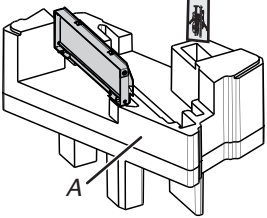








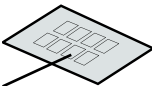
Herramientas necesarias

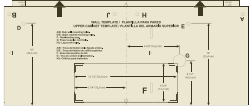
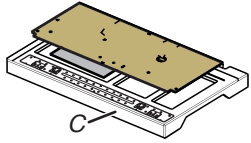
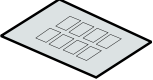

- Cinta métrica
- Lapicero
- Tijeras
- Cinta de enmascarar o tachuelas
- Taladro
- Destornillador Phillips n.º 2
- Detector de vigas
- Destornillador Phillips n.º 3 para pernos de 1/4 - 20 x 3" (76 mm)
- Brocas de barrena de 3/16" (5 mm), 3/8" (10 mm) y 5/8" (16 mm)
- Sierra perforadora de 3/4" (19 mm)
- Sierra caladora
- Alicata de corte diagonal para cable
- Llave de cubo (o llave de punta hexagonal) de 7/16" (11 mm) para tirafondos de 1/4" x 2" (6,4 mm x 51 mm)
- Broca de barrena para un orificio de 1 1/2" (38 mm) de diámetro para el gabinete de madera o de metal
- Pistola para calafateo y compuesto para calafateo impermeable
- Cinta para ductos.

Materiales necesarios

- Accesorios estándar para la ventilación a través de la pared o del techo. Consulte la sección "Especificaciones para el diseño de la ventilación".

Piezas suministradas

Pieza	Dibujo	Descripción	Cant.	¿Dónde puedo encontrar?
Paquete de tornillos		Pernos de cabeza redonda de 3/16-24 x 3"	2	 A. Espuma interior en la cavidad
		Pernos de cabeza redonda de 1/4 - 20 x 3"	2	
		Arandelas	2	
		Tuercas de soporte de 3/16"	2	
		Tirafondos de 1/4" x 2"	2	
		Tornillo para metal laminado #6 x 3/8"	2	
		Forro del cable de suministro eléctrico	1	
Compuerta		Compuerta para ventilación a través de la pared o del techo	1	
Espaciador		Espaciador (L*W*T: 40*10*1,6 mm)	8	 B. Dentro de la carpeta de documentación

Plantilla de cartón		Plantilla del gabinete superior y plantilla de la pared	1	 C. Forma exterior en el cartón
Paquete de documentación		Documentación	1	
Placa de montaje		Placa de montaje	1	

Verifique los códigos locales. Compruebe el suministro eléctrico existente. Consulte “Requisitos eléctricos”.

Es recomendable que todas las conexiones eléctricas sean hechas por un instalador eléctrico calificado autorizado.

NOTA:

- La tornillería que se enumera aquí es para vigas de madera. Para otros tipos de estructuras de pared, asegúrese de usar las fijaciones adecuadas.
- Asegúrese de comprar únicamente piezas y accesorios Whirlpool certificados de fábrica para su electrodoméstico. Su instalación puede requerir piezas adicionales. Para pedirlo, consulte la sección “Información de pedidos en línea” de la Guía de inicio rápido.

Requisitos de Ubicación

Verifique la abertura donde se instalará el horno microondas. La ubicación debe tener:

- Dimensiones de instalación mínimas. Consulte la ilustración “Dimensiones de Instalación”.
- Al menos una viga para pared de madera de 2" x 4" (5,1 x 10,2 cm) y un muro de mampostería o yeso/listón con un espesor mínimo de 3/8" (1 cm) dentro de la abertura del gabinete.
- Soporte para un peso de 150 libras (68 kg), lo cual incluye el horno microondas y los objetos que se coloquen en su interior, así como en el gabinete superior.
- Un contacto eléctrico conectado a tierra dentro del gabinete superior. Consulte la sección “Requisitos Eléctricos”.

NOTA:

- Algunos modelos tienen una agarradera. Si va a instalar el horno microondas cerca de la pared lateral derecha, asegúrese de dejar un espacio de al menos 3" (7,6 cm) entre la pared y el horno microondas, para que pueda agarrar la manija integrada en el interior de la puerta.
- Algunos gabinetes y materiales de construcción no están diseñados para resistir el calor que produce el horno microondas durante la cocción. Verifique con el constructor o con el distribuidor de los gabinetes para asegurarse de que los materiales que se usen no cambien de color, se astillen ni sufran otros daños.

Requisitos Especiales

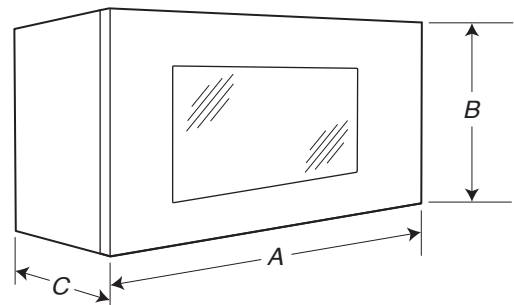
Solo para la Instalación con Ventilación en la Pared:

- El recorte deberá estar libre de cualquier obstrucción para que el tubo de ventilación encaje como es debido y la hoja de la compuerta se abra libremente y por completo.

Solo para la Instalación con Ventilación en el Techo:

- Si usa un tubo de transición de rectangular a redondo, deberá haber un espacio de 3" (7,6 cm) por encima del horno microondas, para que la hoja de la compuerta de tiro pueda abrirse libremente y por completo. Consulte la ilustración “Tubo de Transición Rectangular a Redondo” en la sección “Especificaciones para el Diseño de la Ventilación”.

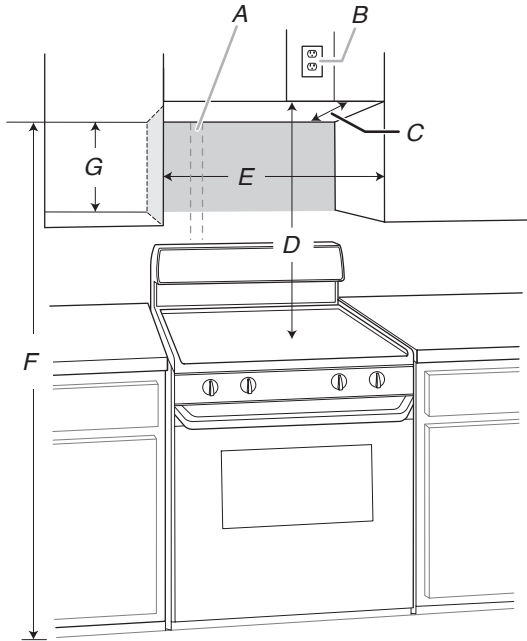
Dimensiones del producto



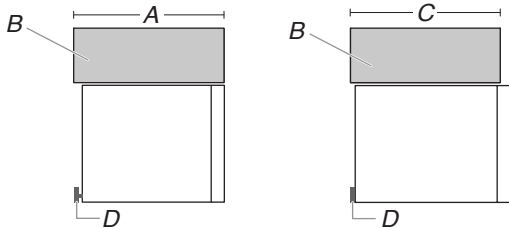
- A. 29 7/8" (76,1 cm)
- B. 17 7/8" (45,4 cm)
- C. 12 1/8" (31,3 cm)

Dimensiones de Instalación

NOTA: El contacto de pared de conexión a tierra de 3 terminales debe estar dentro del gabinete superior. Consulte la sección "Requisitos Eléctricos".



- | | |
|---|---|
| A. Viga de pared de 2" x 4"
(5,1 cm x 10,2 cm) | E. 30" (76,2 cm) mínimo |
| B. Contacto de 3 terminales con
conexión a tierra | F. 72" (182,8 cm) recomendado
66" (167,6 cm) mínimo |
| C. Profundidad del gabinete
superior (con puerta)*** | G. Superficie posterior plana de
18 ¹ / ₄ " (46,3 cm) mínimo |
| D. 36" (91,4 cm) recomendado*
30" (76,2 cm) típico** | |



- | |
|---|
| A. (Enrasado) 12 ³ / ₄ " a 13" (32,3 cm a 33 cm) de profundidad |
| B. Gabinete |
| C. Menos de 12 ³ / ₄ " (32,3 cm) de profundidad |
| D. Placa de montaje |

Las medidas exactas pueden variar según el tipo de estufa/superficie de cocción que haya debajo.

*36" (91,4 cm) es lo que se recomienda para una altura de instalación de 72" (182,8 cm).

**30" (76,2 cm) es lo típico para una altura de instalación de 66" (167,6 cm).

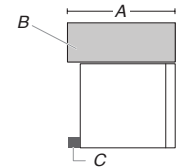
***Mida desde la pared trasera hasta donde debe estar la superficie inferior delantera del horno microondas (Dimensión A).

Para los gabinetes de 12" (30,5 cm) a 12³/₄" (32 cm), el horno microondas sobresaldrá del gabinete.

Para los gabinetes de 12³/₄" (32 cm) a 13" (33 cm), el horno microondas queda a ras del gabinete.

NOTA: Puede ser necesario utilizar varios espaciadores, entre la placa de montaje y la pared, para conseguir un aspecto más 'Enrasado'. Consulte la sección "Fije la Placa de Montaje a la Pared" para más detalles.

Si los gabinetes tienen una profundidad superior a 13" (33 cm), y de hasta 16" (40,6 cm), utilice el kit de montaje sobresaliente, sustituyendo la placa de montaje suministrada con el producto. El kit de montaje sobresaliente (núm. de pieza W11630300) no se incluye.



- | |
|---|
| A. (Sobresaliente) 13" a 16"
(33 cm a 40,6 cm) de
profundidad |
| B. Gabinete |
| C. Soporte de montaje
sobresaliente |

Para pedirlo, consulte la sección "Información de Pedidos en línea" de la Guía de Inicio Rápido.

Para gabinetes con otras dimensiones, le sugerimos que seleccione otros Productos Whirlpool.

Requisitos eléctricos

⚠ ADVERTENCIA



Peligro de choque eléctrico

Conecte a un tomacorriente con conexión a tierra de 3 terminales.

No quite el terminal de conexión a tierra.

No use un adaptador.

No utilice un cable de extensión.

No seguir estas instrucciones puede ocasionar la muerte, un incendio o un choque eléctrico.

Respete todas las normativas y reglamentos vigentes.

Se necesita:

- Un suministro eléctrico de 120 V, 60 Hz, CA solamente, de 15 A o 20 A con fusible o disyuntor.

Se recomienda:

- Un fusible o un disyuntor retardador.
- Un circuito separado que preste servicio solamente a este horno microondas.

INSTRUCCIONES DE CONEXIÓN A TIERRA

Para la conexión de un aparato mediante cable eléctrico conectado a tierra:

Este electrodoméstico debe estar conectado a tierra. En caso de funcionamiento defectuoso o avería, la conexión a tierra reducirá el riesgo de choque eléctrico al proporcionar una vía de menor resistencia para la corriente eléctrica. Este electrodoméstico está equipado con un cable que cuenta con un conductor para la conexión a tierra del equipo y un enchufe de conexión a tierra. El enchufe debe conectarse en un tomacorriente apropiado, que esté debidamente instalado y conectado a tierra de acuerdo con todos los códigos y ordenanzas locales.

ADVERTENCIA: La conexión incorrecta del conductor de conexión a tierra del equipo puede dar como resultado un choque eléctrico. Verifique con un electricista o un técnico de servicio calificado si no está seguro de que la conexión a tierra del electrodoméstico sea la adecuada. No modifique el enchufe provisto con la lavavajillas; si no encaja en el tomacorriente, consulte a un electricista competente para instalar un tomacorriente adecuado.

GUARDE ESTAS INSTRUCCIONES

Este dispositivo cumple con la parte 18 de las reglas de la FCC.

INSTALACIÓN

Prepare la combinación de horno microondas y campana

⚠ ADVERTENCIA

Peligro de peso excesivo

Use dos o más personas para mover e instalar o desinstalar el electrodoméstico.

No seguir esta instrucción puede ocasionar lesiones en la espalda o de otro tipo.

1. Cubra la superficie de trabajo para evitar posibles daños a la misma.
2. Retire la plantilla de cartón de la espuma exterior del cartón. Es para el gabinete superior y la instalación de pared.
3. Quite el paquete de tornillos de la espuma interior de la cavidad.
4. Retire la compuerta de la espuma interior de la cavidad.
5. Retire el paquete de documentación de la espuma exterior en el cartón.
6. Quite los materiales de envío, la cinta adhesiva y la película del horno microondas.
7. Retire la placa de montaje de la espuma exterior de la cavidad.
8. Aplique cinta adhesiva en la puerta del horno microondas cerrada para que no se abra mientras se manipula el horno microondas.

NOTA: Para evitar daños al horno microondas, no aferre ni use la puerta ni la manija de la puerta mientras manipula el horno microondas.

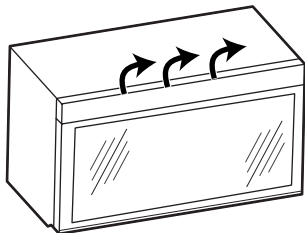
Tipos de Instalación

Este horno microondas está diseñado para adaptarse a los siguientes tres tipos de ventilación, elija un tipo antes de instalar.

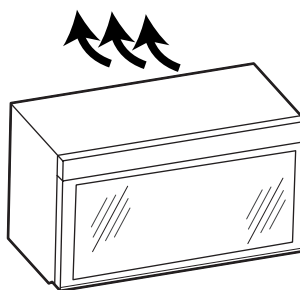
NOTA: Para la ventilación en el techo y la ventilación en la pared, el filtro de carbón no es necesario, desinstale el filtro de carbón antes de su uso. Consulte la sección "Instalación Completa" para más detalles.

Recirculación

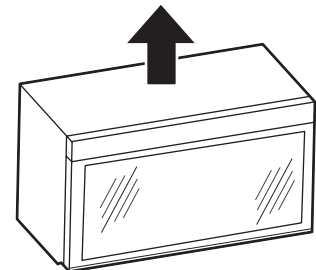
(Ajuste Predeterminado de Fábrica)



Ventilación en la Pared

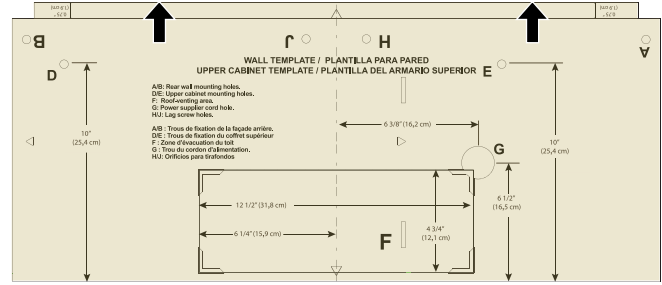


Ventilación en el Techo



Encontrar plantilla de cartón

La plantilla de cartón se usa como plantilla de pared y del gabinete superior. Se encuentra en la espuma exterior del cartón. Encuéntrala antes de la instalación.



Encuentre las vigas de pared

NOTA: Si no hay pies derechos de pared dentro de la abertura del gabinete, no instale el horno microondas.

Vea las ilustraciones en "Posibles configuraciones de las vigas de pared".

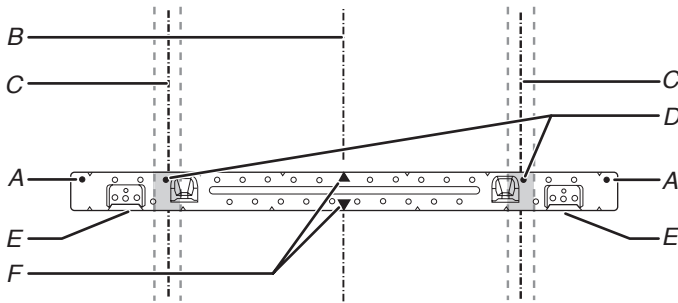
1. Ubique los bordes de las vigas de pared dentro de la abertura con un detector de vigas.
2. Marque el centro de cada viga y trace una línea a plomo hacia abajo desde el centro de cada viga. Vea las ilustraciones en "Posibles configuraciones de las vigas de pared".

Posibles configuraciones de las vigas de pared

Estas representaciones muestran ejemplos de las configuraciones de instalación preferidas con la placa de montaje.

Sin vigas de pared en los orificios de extremo

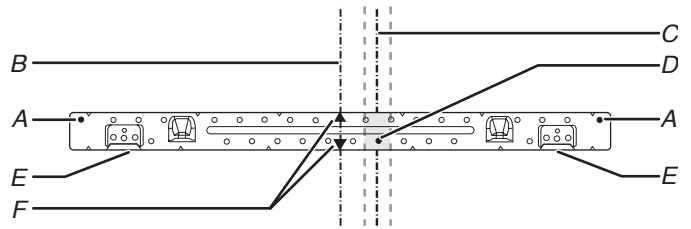
Figura 1



- | | |
|---|--|
| A. Orificios de extremo (en la placa de montaje) | D. Orificios para los tirafondos |
| B. Línea central vertical de la abertura del gabinete | E. Lengüetas de soporte |
| C. Líneas centrales de las vigas de pared | F. Marcadores centrales de la placa de montaje |

Sin vigas de pared en los orificios de extremo

Figura 2

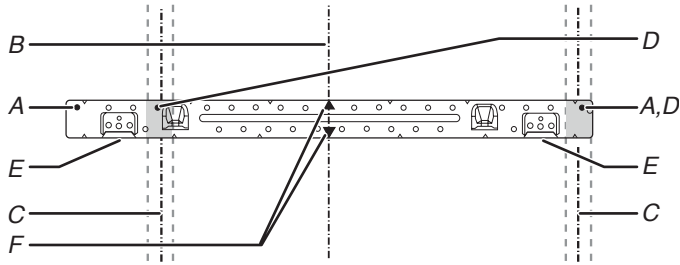


NOTA: Si la viga de pared está a no más de 6" (15,2 cm) de la línea central vertical (vea la sección "Marque la pared posterior"), solamente se podrá hacer una instalación con recirculación o una instalación con ventilación en el techo.

- | | |
|---|--|
| A. Orificios de extremo (en la placa de montaje) | D. Orificios para los tirafondos |
| B. Línea central vertical de la abertura del gabinete | E. Lengüetas de soporte |
| C. Líneas centrales de las vigas de pared | F. Marcadores centrales de la placa de montaje |

Viga de pared en orificios de extremo

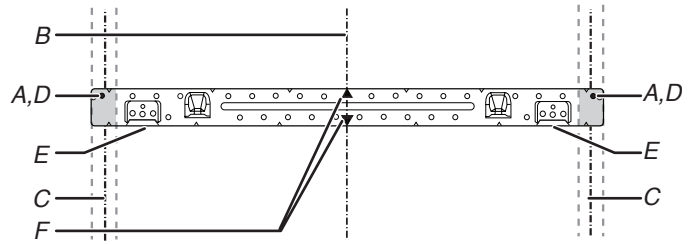
Figura 3



- A. Orificios de extremo (en la placa de montaje)
- B. Línea central vertical de la abertura del gabinete
- C. Líneas centrales de las vigas de pared
- D. Orificios para los tirafondos
- E. Lengüetas de soporte
- F. Marcadores centrales de la placa de montaje

Viga de pared en orificios de extremo

Figura 4



- A. Orificios de extremo (en la placa de montaje)
- B. Línea central vertical de la abertura del gabinete
- C. Líneas centrales de las vigas de pared
- D. Orificios para los tirafondos
- E. Lengüetas de soporte
- F. Marcadores centrales de la placa de montaje

Encontrar el punto al ras

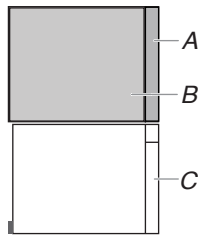
Este producto está diseñado para quedar enrasado con el gabinete, y el punto de enrasado debe encontrarse antes de la instalación. No lo instale con la parte frontal del horno microondas situada detrás de la parte frontal del gabinete/puerta.

Al ras de la puerta del gabinete

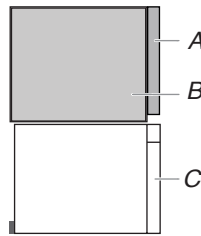
Al ras de la puerta del gabinete

No lo instale con la parte frontal del horno microondas situada detrás de la parte frontal del gabinete/puerta.

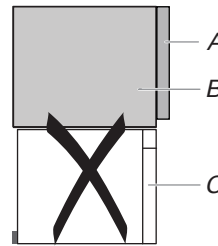
No lo instale con la parte frontal del horno microondas situada detrás de la parte frontal del gabinete/puerta.



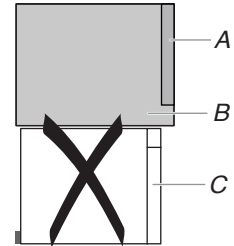
- A. Puerta del gabinete
- B. Gabinete
- C. Puerta del horno microondas



- A. Puerta del gabinete
- B. Gabinete
- C. Puerta del horno microondas

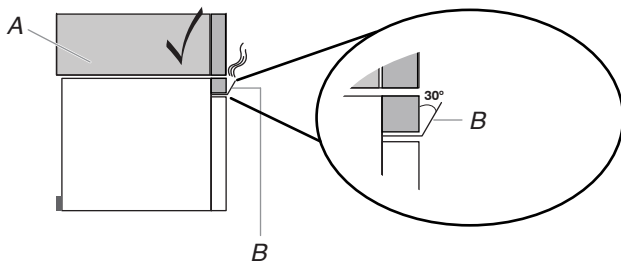


- A. Puerta del gabinete
- B. Gabinete
- C. Puerta del horno microondas

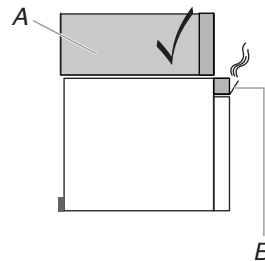


- A. Puerta del gabinete
- B. Gabinete
- C. Puerta del horno microondas

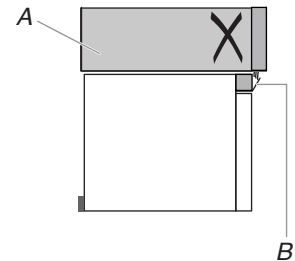
NOTA: El deflector de la parrilla se abrirá automáticamente 30° cuando el horno microondas use la función de ventilación y cocción. No instale el horno microondas con el deflector de la parrilla detrás de la parte frontal del gabinete/puerta, de lo contrario bloqueará la salida de aire.



- A. Gabinete
- B. Deflector

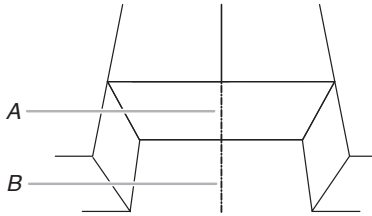


- A. Gabinete
- B. Deflector



Marque el gabinete superior

1. Con una cinta, mida claramente y marque la línea central vertical de la abertura. Asegúrese de que esté alineada con la línea central de la pared vertical.



A. Línea central del gabinete superior
B. Línea central de la pared

NOTA: La plantilla de cartón es apta para profundidades de 12" a 13", (30,5 cm a 33,02 cm) en la instalación del gabinete, pero necesita algún ajuste para profundidades diferentes. Vea los pasos 2 y 3 siguientes.

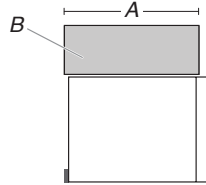
Si los gabinetes tienen una profundidad superior a 13" (33 cm), y de hasta 16" (40,6 cm), utilice el kit de montaje sobresaliente, sustituyendo la placa de montaje suministrada con el producto. El kit de montaje sobresaliente (núm. de pieza W11630300) no se incluye.

Si su gabinete tiene una profundidad de 12" a 12³/₄" (30,5 cm a 32,4 cm), realice el paso 2:

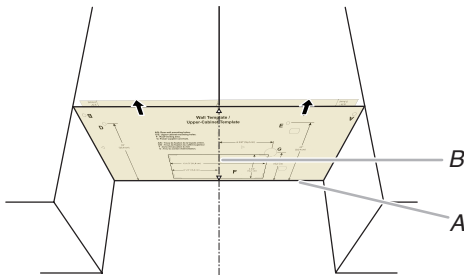
2. Coloque la plantilla de cartón contra la base del gabinete superior.

NOTAS:

- Asegúrese de que el borde posterior de la plantilla de cartón se alinee con el borde posterior del gabinete superior.
- Asegúrese de que las marcas centrales en la plantilla de cartón se alineen con la línea central del gabinete superior que se dibujó en el paso 1.
- Asegúrese de que la flecha en la plantilla de cartón vea hacia afuera.

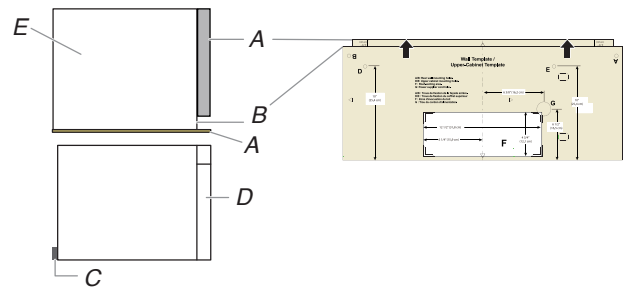


A. Menos de 12" (30,5 cm) de profundidad
B. Gabinete



A. Borde posterior de la plantilla de cartón y borde posterior del gabinete superior
B. Línea central y marcas centrales del gabinete superior en la plantilla

Al ras de la puerta del gabinete



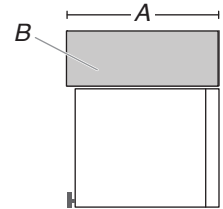
A. Borde delantero de la plantilla de cartón y puerta del gabinete superior
B. Gabinete superior y línea de 0,75" (1,9 cm) de la plantilla de cartón
C. Placa de montaje
D. Puerta del horno microondas
E. Gabinete

Si la profundidad de su gabinete es de 12³/₄" a 13" (32,4 cm a 33 cm):

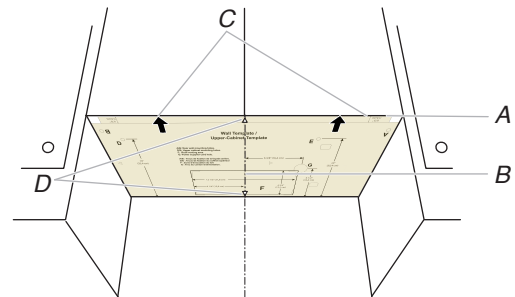
3. Coloque la plantilla de cartón contra la base del gabinete superior.

NOTAS:

- Asegúrese de que el borde delantero de la plantilla de cartón se alinee con el borde delantero del gabinete superior.
- Asegúrese de que las marcas centrales en la plantilla de cartón se alineen con la línea central del gabinete superior que se dibujó en el paso 1.



A. (Enrasado) 12³/₄" a 13" (32,4 cm a 33 cm) de profundidad
B. Gabinete

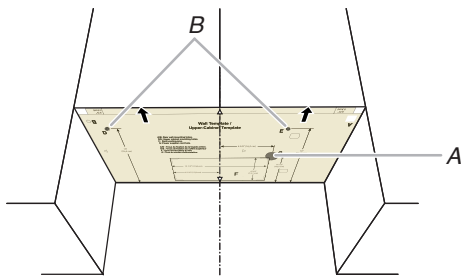


A. Borde delantero de la plantilla de cartón y borde delantero del gabinete superior
B. Línea central del gabinete superior
C. Flechas en la plantilla de cartón
D. Marcas centrales en la plantilla de cartón

NOTA: Si las puertas del gabinete superior sobresalen del gabinete superior, el cartón puede ajustarse hacia afuera para que quede al ras con la puerta del gabinete superior.

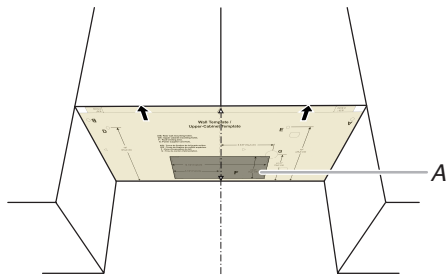
Por ejemplo, la puerta del gabinete superior tiene un grosor de 0,75" (1,9 cm), puede alinear la plantilla de cartón con una línea de 0,75" (1,9 cm) con el gabinete superior.

- Utilice un lapicero para marcar un orificio para el cable eléctrico y dos orificios para la tuerca de montaje.



- A. Orificio para el cable eléctrico
- B. Orificios para la tuerca de montaje

- Utilice un lapicero para marcar el orificio de ventilación del gabinete superior. Puede omitir este paso si su unidad utiliza recirculación o una instalación de ventilación a través de la pared.

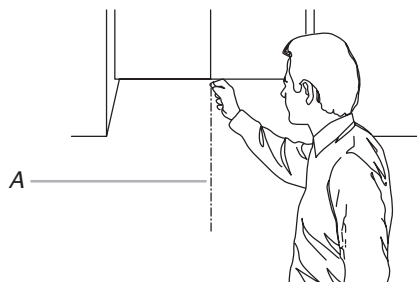


- A. Orificio del gabinete superior

Marque la pared posterior

El horno microondas deberá instalarse como mínimo sobre una viga de pared, preferentemente dos, usando como mínimo un tirafondo, preferentemente dos. Consulte la sección “Encontrar las vigas de pared” para ver dónde se encuentran.

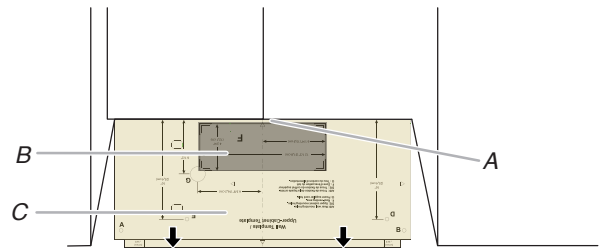
- Utilice un lapicero para marcar un orificio para el cable eléctrico y dos orificios para la tuerca de montaje.



- A. Línea central

- Alinee las marcas centrales de la plantilla de cartón con la línea central en la pared; asegúrese de que esté nivelada y que la parte superior de la plantilla de cartón esté a tope contra el borde posterior del gabinete superior. (Consulte la **NOTA** siguiente antes de realizar las marcas.)

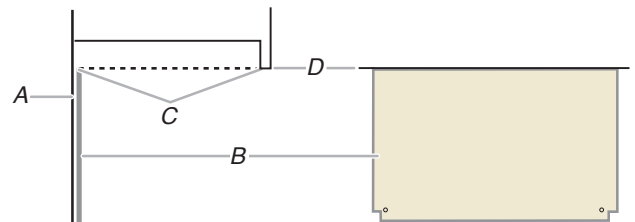
Con un lapicero para marcar el orificio del ducto de escape (solamente para la instalación con ventilación por la pared), omita este paso si su unidad es para recirculación o instalación con ventilación en la pared.



- A. Borde posterior del gabinete superior
- B. Orificio del ducto de escape
- C. Plantilla de cartón

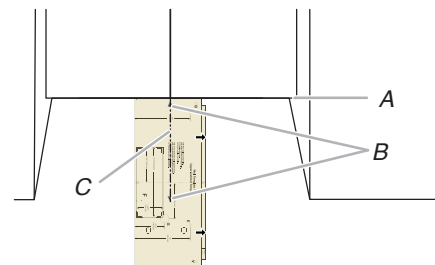
NOTA:

- Si el borde frontal del gabinete superior está más bajo que el borde posterior, baje la plantilla de cartón para que la parte superior quede nivelada con el borde frontal del gabinete.



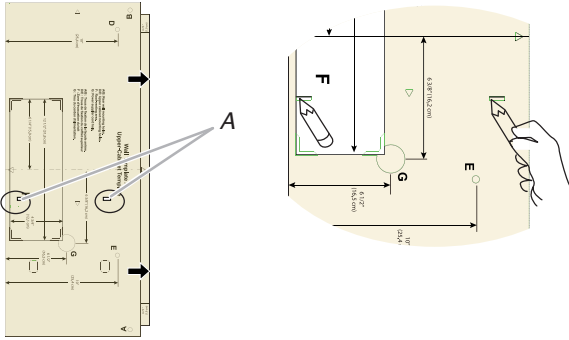
- A. Pared posterior
- B. Plantilla de cartón
- C. La parte superior de la plantilla de cartón debe alinearse con el borde frontal del gabinete
- D. Borde frontal del gabinete superior

- Sujete la plantilla de cartón en la pared trasera mientras alinea las marcas centrales laterales (B) de la plantilla de cartón con la línea central vertical trazada en el paso 1. Asegúrese de que la plantilla de cartón esté nivelada y que la parte superior tope contra el borde inferior del gabinete superior.



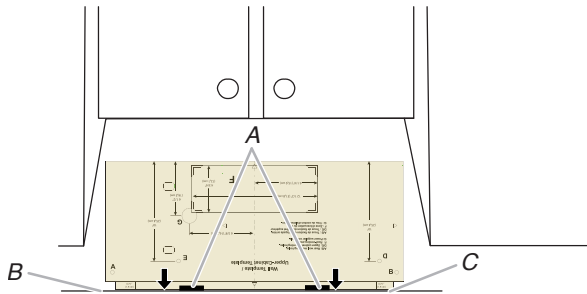
- A. Borde inferior del gabinete superior y parte superior de la plantilla de cartón
- B. Marcas centrales en la plantilla de cartón
- C. Línea central

4. Localice y marque las dos líneas de posición inferiores (A) en la plantilla de cartón.



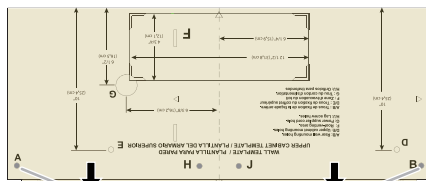
A. Línea de posición inferior de plantilla de cartón

5. Utilizando el borde inferior de la plantilla de cartón, alinéelo con las dos líneas pequeñas (A), y trace una línea (B) indicando dónde debe estar el borde inferior de la placa de montaje (C).



A. Dos líneas pequeñas
B. Línea de inferior de plantilla de cartón
C. Borde inferior de la placa de montaje

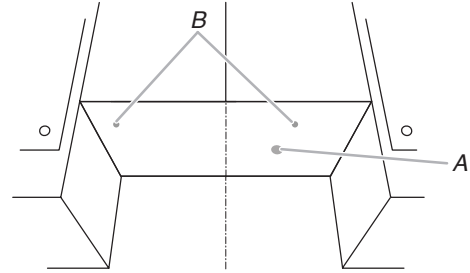
6. Dibuje A y B dos pequeños círculos, H y J no es necesario, dependiendo de su necesidad.



A and B holes

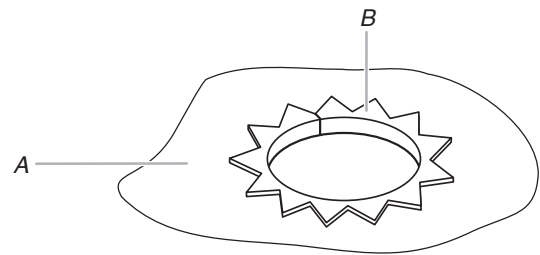
Taladre los orificios en el gabinete superior

1. Con un taladro y la sierra caladora de 0,75" (1,9 cm), recorte el orificio del cable de alimentación (A).
2. Perfore dos orificios para las tuercas de montaje (B), que son orificios de 3/8" (10 mm) en los puntos "D" y "E" de la plantilla de cartón. Son para dos pernos de 1/4-20 x 3" y las arandelas que se usan para asegurar el horno microondas al gabinete superior.



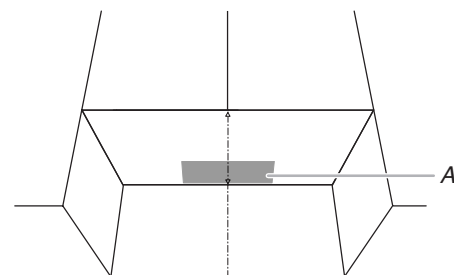
A. Orificio para el cable eléctrico
B. Orificios para la tuerca de montaje

NOTA: Si el gabinete superior es de metal, el buje del cable de suministro se debe instalar alrededor del orificio del cable de suministro, como se muestra.



A. Gabinete de metal
B. Forro del cable de suministro eléctrico

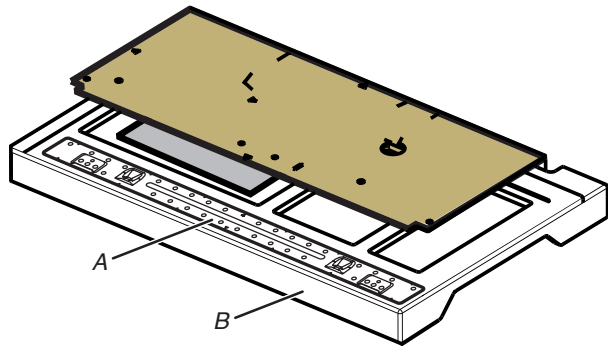
3. Corte el área de corte de ventilación del techo rectangular con una sierra caladora. Omite este paso si se trata de una instalación de ventilación de recirculación o ventilación a través del techo.



A. Área de recorte de la ventilación a través del techo

Taladre orificios en la pared posterior

1. La placa de montaje se encuentra dentro de la espuma interior en la cavidad, sáquela.

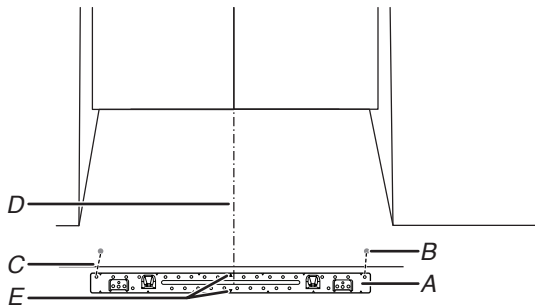


A. Placa de montaje
B. Espuma exterior en el cartón

2. Fije la placa de montaje a la pared. Asegúrese de que los dos orificios de la placa de montaje están alineados con los orificios A y B marcados en la sección "Marque la pared posterior" y que las marcas centrales de la placa de montaje están alineadas con la marca central.

NOTA: Puede ser necesario utilizar varios espaciadores, entre la placa de montaje y la pared, para conseguir un aspecto más 'enrasado'. Consulte la sección "Fije la placa de montaje a la pared" para más detalles.

Mida desde la pared trasera hasta donde se encuentra la superficie inferior delantera del horno microondas para determinar el número de espaciadores necesarios.



A. Placa de montaje
B. Orificios A y B
C. Línea posterior de la placa de montaje
D. Marca central
E. Marcadores centrales de la placa de montaje

3. Taladre los orificios en A y B; si las vigas de la pared no se encuentran en los orificios A y B, no taladre los orificios A y B, y siga las instrucciones siguientes.

Además de instalar la placa de montaje en al menos una viga de pared, se le debe sujetar a la pared en ambos orificios de extremo. Si los orificios de extremo no están sobre vigas de pared, use dos pernos de cabeza redonda de 3/16-24 x 3" con tuercas de palanca; si 1 orificio de extremo está sobre una viga de pared, use un tirafondo y un perno de cabeza redonda de 3/16-24 x 3" con una tuerca de palanca; o si ambos orificios de extremo se encuentran sobre vigas de pared, use dos tirafondos. A continuación se incluyen tres configuraciones de instalación.

Instalación sin vigas de pared en los orificios de extremo (Figuras 1 y 2 en la sección Ubique las vigas de pared)

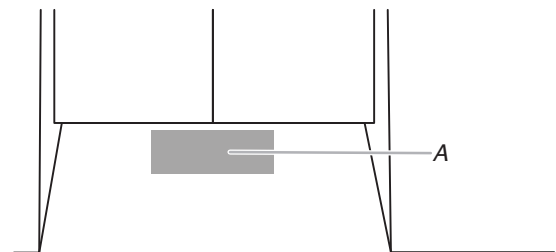
1. Taladre orificios de 5/8" (1,6 cm) a través de la pared en los dos orificios de extremo que se marcaron en el paso 3 de "Marque la pared posterior".
2. Taladre orificios de 3/16" (5 mm) en las vigas de pared en los orificios que se marcaron en el paso 6 de "Marque la pared posterior". Consulte las figuras 1 y 2 en "Posibles configuraciones de las vigas de pared" de la sección "Ubique las vigas de pared".

Instalación para viga de pared en un orificio de extremo (Figura 3 en la sección Ubique las vigas de pared)

1. Taladre un orificio de 3/16" (5 mm) a través de la viga de pared en el orificio de extremo que se marcó en el paso 3 de la sección "Marque la pared posterior".
2. Si instala una segunda viga de pared, taladre un orificio de 3/16" (5 mm) a través de la viga de pared en el otro orificio marcado en el paso 6 de "Marque la pared posterior". Consulte la figura 3 en "Posibles configuraciones de las vigas de pared" de la sección "Ubique las vigas de pared".
3. Taladre un orificio de 5/8" (1,6 cm) a través de la pared en el otro extremo.

Instalación para vigas de pared en ambos orificios de extremo (Figura 4 en la sección Ubique las vigas de pared)

1. Taladre orificios de 3/16" (5 mm) a través de las vigas de pared en los orificios de extremo marcados en el paso 3 de la sección "Marque la pared posterior".
4. Corte el área de corte de ventilación de la pared rectangular con una sierra caladora. Omita este paso si se trata de una instalación de ventilación de recirculación o ventilación a través del techo.



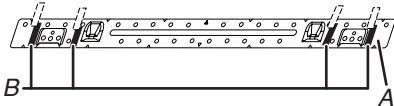
A. Área de recorte de la ventilación a través de la pared

Fije la placa de montaje a la pared

1. Coloque la placa de montaje en la pared.

NOTA: Puede ser necesario utilizar varios espaciadores, entre la placa de montaje y la pared, para conseguir un aspecto más 'enrasado'. Pegue los espaciadores antes de colocar la placa de montaje en la pared.

Mida desde la pared trasera hasta donde debe estar la superficie inferior delantera del horno microondas para determinar el número de espaciadores necesarios.



A. Placa de montaje
B. 1/16" (1,6 mm) de grosor

Profundidad del gabinete	Placa de montaje
12" a 13" (30,5 cm a 33 cm)	Placa de montaje
13 ¹ / ₁₆ " (33.2 cm)	Placa de montaje + espaciador de 4 piezas
13 ¹ / ₈ " (33.3 cm)	Placa de montaje + espaciador de 8 piezas

2. Asegure la placa de montaje a la pared en ambos orificios de extremo perforados en las vigas de pared y/o en la mampostería con pernos de cabeza redonda de 3/16-24 x 3" y tuercas de palanca o con tirafondos de 1/4 x 2".

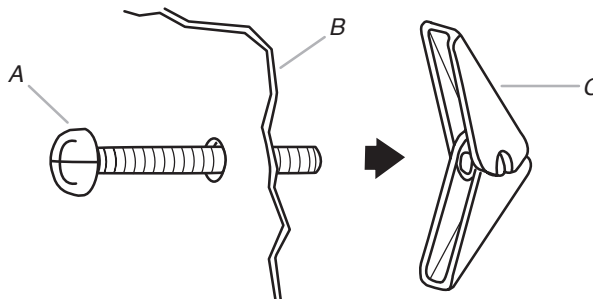
Consulte las ilustraciones de "Posibles configuraciones de las vigas de pared" en la sección "Ubique las vigas de pared", y las siguientes secciones: "Sin vigas de pared en los orificios de extremo (Figuras 1 y 2 en la sección Ubique las vigas de pared)" o "Viga de pared en un orificio de extremo (Figura 3 en la sección Ubique las vigas de pared)".

3. Inserte los tirafondos en ambos orificios de extremo.
4. Controle la alineación de la placa de montaje y asegúrese de que esté nivelada.
5. Fije los dos tornillos del orificio del extremo.

Sin vigas de pared en los orificios de extremo (Figuras 1 y 2 en la sección Ubique las vigas de pared)

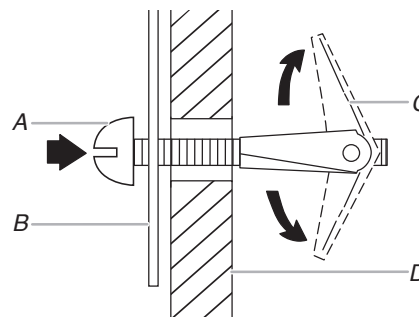
NOTA: La placa de montaje se debe asegurar a la pared en al menos una viga de pared y también en ambos extremos.

1. Con las lengüetas de soporte de la placa de montaje mirando hacia adelante, inserte pernos de cabeza redonda de 3/16-24 x 3" a través de ambos orificios de extremo de la placa de montaje.
2. Coloque tuercas de palanca en los pernos de la parte posterior de la placa de montaje. Deje suficiente espacio para que la tuerca de ajuste con resorte puedan atravesar la pared y abrirse.



A. Perno de cabeza redonda de 3/16-24 x 3"
B. Placa de montaje
C. Tuerca de ajuste con resorte

3. Coloque la placa de montaje en la pared.
4. Empuje los 2 pernos con las tuercas de ajuste con resorte a través de la mampostería y apriete manualmente los pernos para asegurarse que las tuercas se hayan abierto contra la mampostería.



A. Perno de cabeza redonda de 3/16-24 x 3"
B. Placa de montaje
C. Tuerca de ajuste con resorte
D. Mampostería

5. Inserte los tirafondos en los orificios taladrados en las vigas de pared en el paso 2 de "Instalación sin vigas de pared en los orificios de extremo" en la sección "Taladre orificios en la pared posterior".
6. Controle la alineación de la placa de montaje y asegúrese de que esté nivelada.
7. Apriete bien todos los tirafondos y pernos.

Viga de pared en un orificio de extremo (Figura 3 en la sección Ubique las vigas de pared)

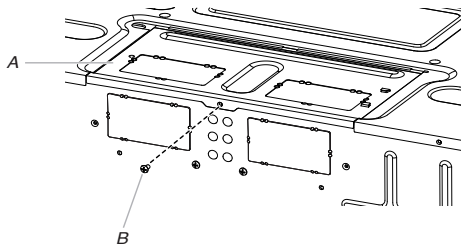
1. Con las lengüetas de soporte de la placa de montaje mirando hacia adelante, inserte un perno de cabeza redonda de 3/16-24 x 3" a través del orificio de extremo que encaje en el orificio de 5/8" (16 mm) taladrado en el paso 3 de "Instalación para una viga de pared en un orificio de extremo" en la sección "Taladre orificios en la pared posterior".
2. Coloque una tuerca de palanca en el perno de la parte posterior de la placa de montaje. Deje suficiente espacio para que la tuerca de ajuste con resorte puedan atravesar la pared y abrirse.
3. Coloque la placa de montaje en la pared.
4. Empuje el perno con la tuerca de ajuste con resorte a través de la mampostería y apriete manualmente el perno para asegurarse de que se haya abierto contra la mampostería.
5. Inserte un tirafondo en el orificio de extremo restante.
6. Si se hace la instalación en una segunda viga de pared, inserte un tirafondo en el otro orificio taladrado en el paso 2 de "Instalación para una viga de pared en un orificio de extremo" en la sección "Taladre orificios en la pared posterior".
7. Controle la alineación de la placa de montaje y asegúrese de que esté nivelada.
8. Ajuste con firmeza los tirafondos y el perno.

Gire el motor del soplador

Esta sección incluye instalación de ventilación a través de la pared y del techo, ambas instalaciones de ventilación necesitan girar el motor del soplador, seleccione un tipo de ventilación antes de instalar el horno microondas. Y siga las instrucciones adecuadas para girar el motor del soplador. Si para la instalación de la recirculación, no es necesario girar el motor del soplador, puede saltar esta sección.

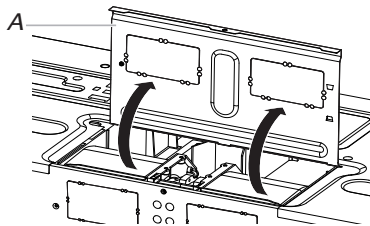
Cómo girar el motor del soplador para la instalación de ventilación a través de la pared

1. Retire los tornillos que sujetan la placa de la compuerta a la parte posterior del horno microondas y deje los tornillos a un lado.



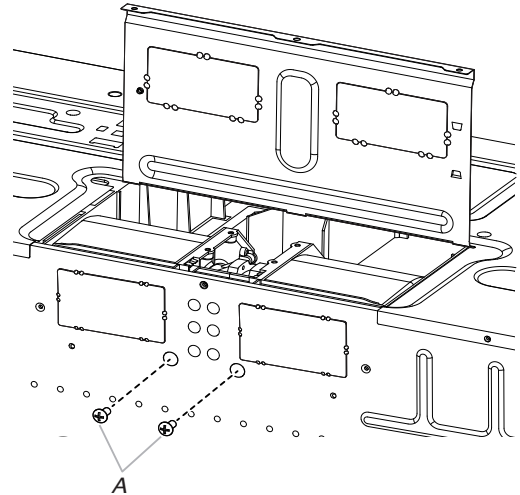
A. Placa de la compuerta
B. Tornillo

2. Gire y ajuste la placa de la compuerta de manera vertical como se muestra.



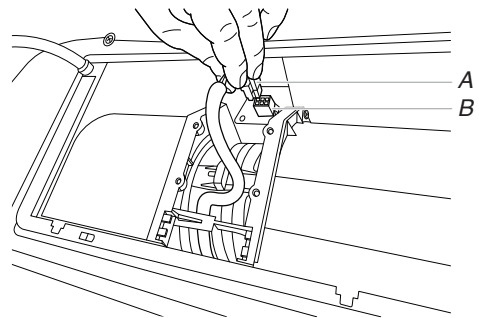
A. Placa de la compuerta

3. Quite los dos tornillos del soplador que sostienen el motor del soplador al horno microondas y déjelos a un lado.



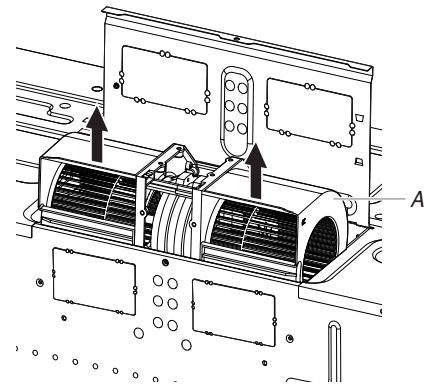
A. Tornillos del soplador

4. Desconecte el cable del motor del soplador desde el conector.



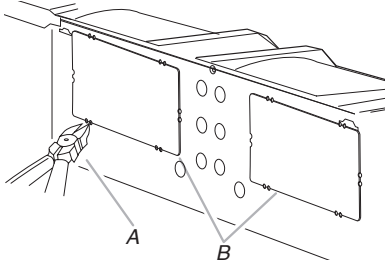
A. Cable del motor del soplador
B. Conector

5. Levante y saque el motor del soplador del horno microondas y déjelo a un lado.



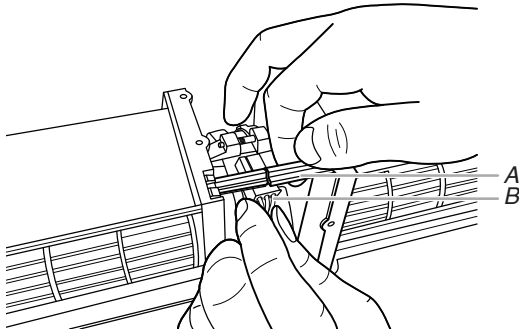
A. Motor del soplador

6. Con un alicate de corte diagonal para cable, recorte con cuidado las cubiertas de las ventilaciones rectangulares de la compuerta en las perforaciones.



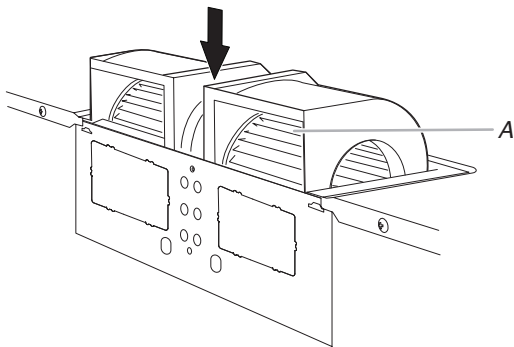
A. Alicata de corte diagonal para cable
B. Cubierta de ventilación rectangular

7. Sostenga el cable del motor del soplador y páselo a través del puente del motor del soplador.



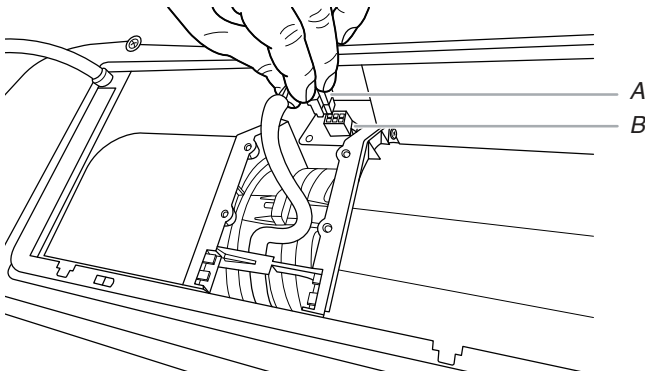
A. Puente del motor del soplador
B. Cable del motor del soplador

8. Baje el motor del soplador nuevamente dentro del horno microondas. Los orificios de escape deben mirar hacia la parte posterior del horno microondas.



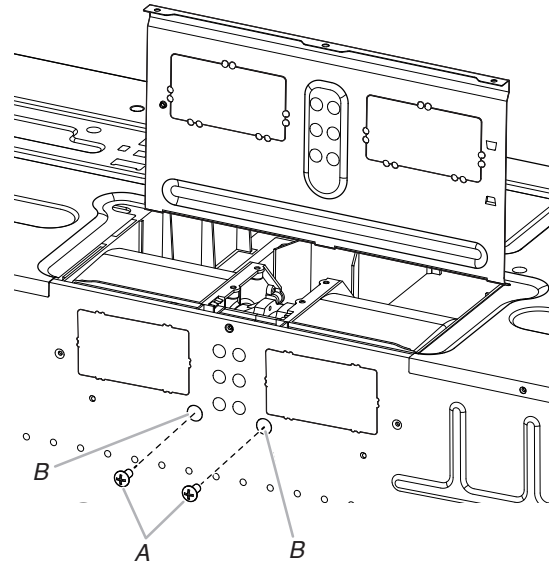
A. Orificio de escape

9. Vuelva a conectar el cable del motor del soplador al conector.



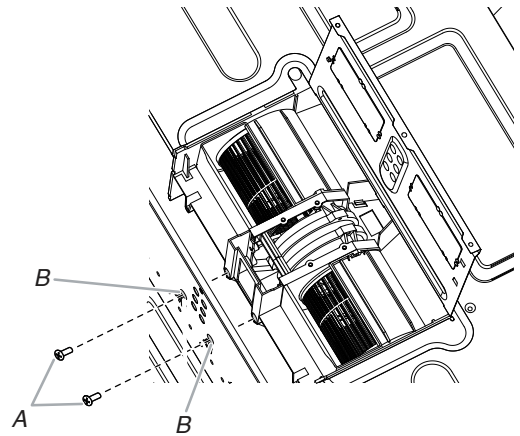
A. Cable del motor del soplador
B. Conector

10. Vuelva a colocar los dos tornillos del soplador en los orificios embudidos en la parte posterior del horno microondas.



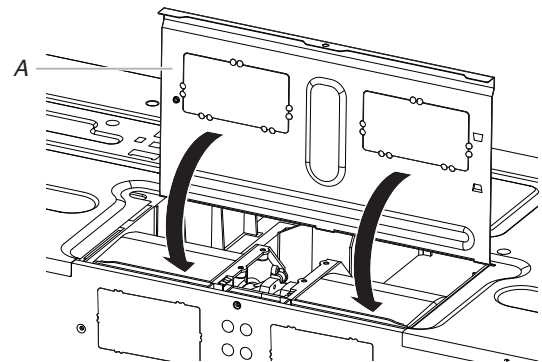
A. Tornillos
B. Orificios

11. Controle que los dos tornillos estén asegurados de manera correcta en los orificios para tornillos del motor del soplador, de manera que el motor no pueda moverse.



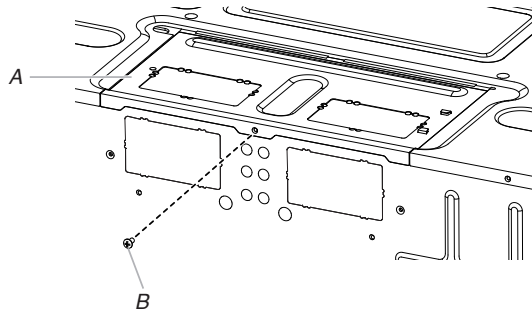
A. Tornillos
B. Orificios para tornillos del motor del soplador

12. Vuelva a colocar la placa de la compuerta en su posición horizontal original.



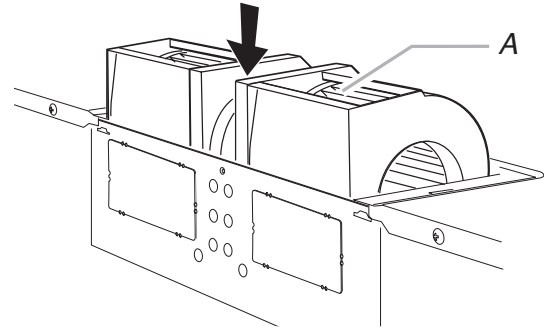
A. Placa de la compuerta

13. Asegure la placa de la compuerta con los dos tornillos que retiró en el paso 1.



A. Placa de la compuerta
B. Tornillo

3. Baje el motor del soplador nuevamente dentro del horno microondas. Los orificios de escape deben mirar hacia la superior del horno microondas.



A. Orificio de escape

⚠ ADVERTENCIA



Peligro de choque eléctrico

Conecte a un tomacorriente con conexión a tierra de 3 terminales.

No quite el terminal de conexión a tierra.

No use un adaptador.

No utilice un cable de extensión.

No seguir estas instrucciones puede ocasionar la muerte, un incendio o un choque eléctrico.

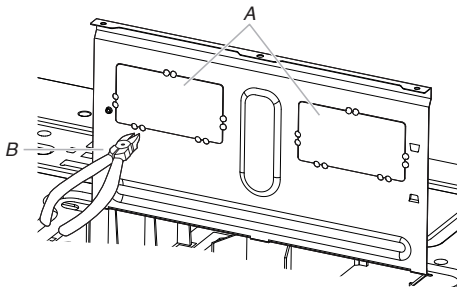
IMPORTANTE: Si el motor del soplador no se coloca con el lado plano mirando hacia la parte posterior del horno microondas (como se muestra), el rendimiento será deficiente.

- Vuelva a conectar el cable del motor del soplador al conector.
- Vuelva a colocar los dos tornillos del soplador en los orificios embudidos en la parte posterior del horno microondas.
- Controle que los dos tornillos estén asegurados de manera correcta en los orificios para tornillos del motor del soplador, de manera que el motor no pueda moverse.
- Vuelva a colocar la placa de la compuerta en su posición horizontal original.

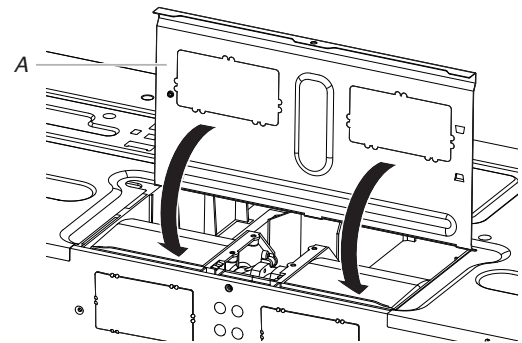
14. Enchufe el horno microondas. Compruebe si el ventilador produce sonidos anormales, repase los pasos para averiguar cuál omitió.

Cómo girar el motor del soplador para la instalación de ventilación a través del techo

- Repita los pasos 1 a 5 de "Solamente para la instalación con ventilación en la pared".
- Con un alicate de corte diagonal para cable, recorte con cuidado las cubiertas de las ventilaciones rectangulares de la placa de la compuerta en las perforaciones.

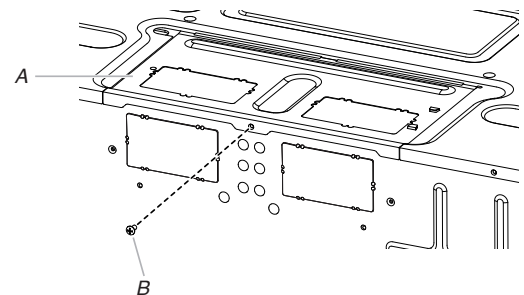


A. Cubiertas de ventilaciones rectangulares
B. Alicates de corte diagonal para cable



A. Placa de la compuerta

8. Asegure la placa de la compuerta con el tornillo que retiró en el paso 1.



A. Placa de la compuerta
B. Tornillo

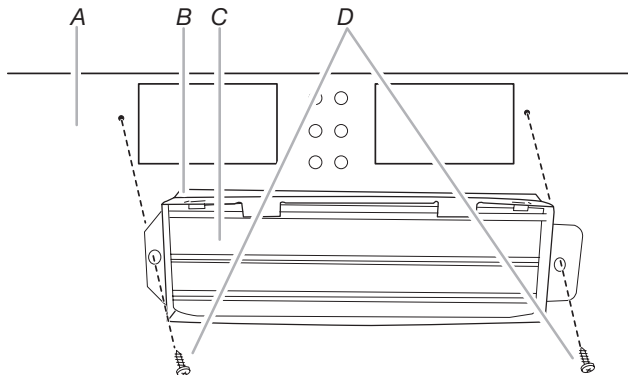
9. Repita el paso 14 de "Solamente para la instalación con ventilación en la pared".

Instale el conjunto de la compuerta

Si para la instalación de la recirculación, no es necesario instalar el conjunto de la compuerta, puede saltar esta sección. Y guárdela para utilizarla en el futuro.

Instalación del conjunto de la compuerta para ventilación por la pared

1. Verifique que la hoja de la compuerta se mueva libremente y se abra por completo.
2. Ubique el conjunto de la compuerta sobre la parte posterior del horno microondas de modo que la bisagra de la hoja de la compuerta quede en la parte superior y la hoja se abra alejándose del horno microondas.



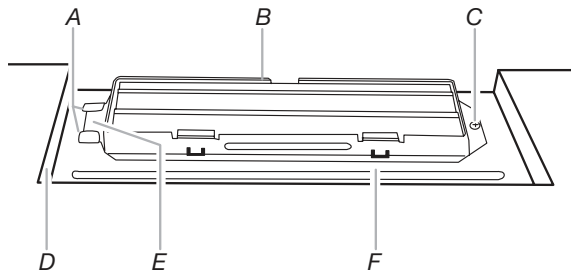
- A. Parte posterior del horno microondas
 B. Conjunto de la compuerta
 C. Hoja de la compuerta
 D. Tornillo para metal laminado #6 x 3/8"

3. Asegure el conjunto de la compuerta con dos tornillos para metal laminado #6 x 3/8"

Instalación del conjunto de la compuerta para ventilación por el techo

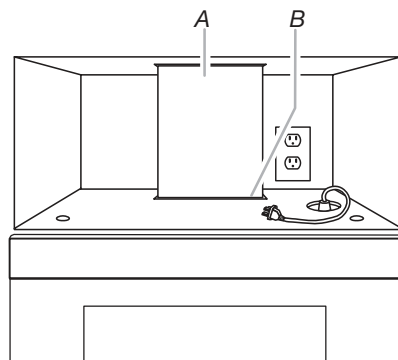
1. Verifique que la hoja de la compuerta se mueva libremente y se abra por completo.
2. Inserte el conjunto de la compuerta a través del recorte del gabinete de manera que la lengüeta larga del conjunto de la compuerta se deslice debajo de las lengüetas con relieve de la placa de la compuerta. Luego, asegúrelo con tornillos para metal laminado #6 x 3/8".

NOTA: El tornillo no podrá instalarse si no se coloca el conjunto de la compuerta como se muestra



- A. Lengüetas con relieve
 B. Conjunto de la compuerta
 C. Tornillo para metal laminado #6 x 3/8"
 D. Recorte del gabinete superior
 E. Lengüeta larga
 F. Placa de la compuerta

3. Conecte el ducto de escape al conjunto de la compuerta.



- A. Ducto de escape
 B. Conjunto de la compuerta (debajo del ducto de escape)

Instalación del horno microondas

⚠ ADVERTENCIA

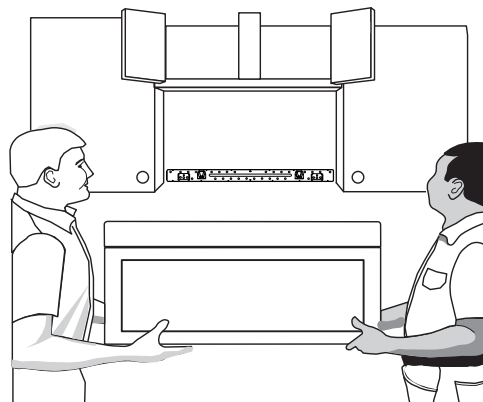
Peligro de peso excesivo

Use dos o más personas para mover e instalar o desinstalar el electrodoméstico.

No seguir esta instrucción puede ocasionar lesiones en la espalda o de otro tipo.

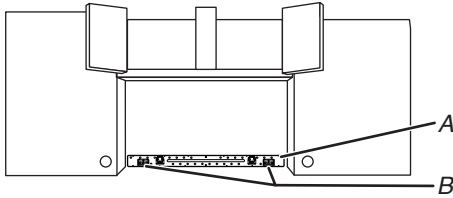
IMPORTANTE: El lado de los controles del horno microondas es el lado pesado. Manipule el horno microondas con delicadeza.

1. Coloque una arandela en cada perno de cabeza plana de 1/4–20 x 3" y colóquelos dentro del gabinete superior cerca de los orificios de 3/8" (10 mm).
2. Asegúrese de que la puerta del horno microondas esté cerrada y fijada con cinta adhesiva.



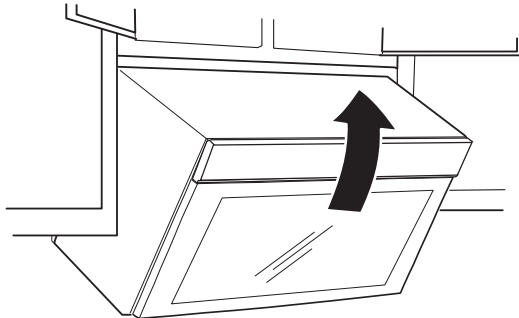
- Con la ayuda de dos o más personas, levante el horno microondas y cuélguelo de las lengüetas de soporte en la parte inferior de la placa de montaje.

NOTA: Para evitar daños al horno microondas, no aferre ni use la puerta mientras manipula el horno microondas.



A. Placa de montaje
B. Lengüetas de soporte

- Con el frente del horno microondas todavía inclinado, pase el cable de suministro eléctrico a través del orificio del cable de suministro eléctrico en el fondo del gabinete superior.



- Gire el horno microondas para arriba hacia el gabinete superior.

NOTA: Si la ventilación será a través de la pared, asegúrese de que el ensamblaje de la compuerta encaje con facilidad dentro de la ventilación del recorte de la pared.

- Empuje el horno microondas contra la placa de montaje y sosténgalo.

NOTA: Si no se necesita ajustar el horno microondas, omita los pasos 6 a 8.

- Si es necesario ajustarlo, gírelo hacia abajo. Con la ayuda de dos o más personas, levante el horno microondas fuera de la placa de montaje y déjelo a un costado sobre una superficie protegida.

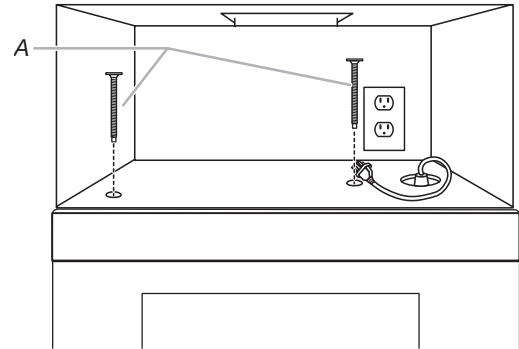
- Afloje los tornillos de la placa de montaje. Apriete la placa de montaje y vuelva a ajustar los tornillos.

- Repita los pasos 3 a 6.

- Con el horno microondas centrado y al menos una persona sosteniéndolo en su lugar, inserte los pernos a través del gabinete superior y dentro del horno microondas. Apriete los pernos hasta que no haya ningún espacio entre el gabinete superior y el horno microondas.

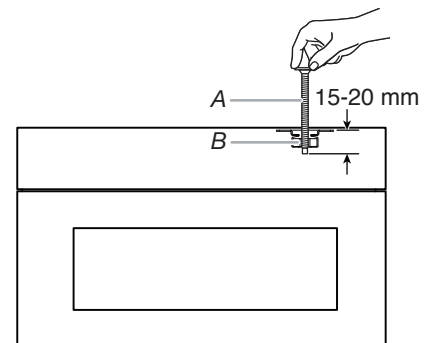
NOTAS:

- Algunos gabinetes superiores pueden necesitar pernos más largos o más cortos que 3" (7,6 cm). Los pernos más largos o más cortos están disponibles en la mayoría de las ferreterías.
- El apriete excesivo de los pernos puede deformar la parte superior del horno microondas. Para evitar deformaciones, pueden agregarse bloques de madera de relleno (deben ser provistos por el instalador). Los bloques deben tener el mismo espesor que el espacio entre la base del gabinete superior y el horno microondas.



A. Pernos

- Evite dañar la tuerca de montaje, apriete los pernos en los orificios de la tuerca de montaje aproximadamente 15–20 mm a mano en primera instancia, y asegúrese de que los pernos se enrosquen adecuadamente. Luego, apriételos con herramientas.



A. Perno
B. Tuerca de montaje

Complete la instalación

1. Verifique que todas las piezas estén ahora instaladas. Si hay alguna pieza extra, vuelva a revisar todos los pasos para ver cuál se omitió.
2. Deshágase de todos los materiales de embalaje o recíclelos.

⚠ ADVERTENCIA



Peligro de choque eléctrico

Conecte a un tomacorriente con conexión a tierra de 3 terminales.

No quite el terminal de conexión a tierra.

No use un adaptador.

No utilice un cable de extensión.

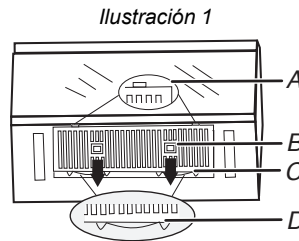
No seguir estas instrucciones puede ocasionar la muerte, un incendio o un choque eléctrico.

3. Enchufe el horno microondas a un tomacorriente de pared de tres terminales con conexión a tierra.
4. Reconecte el suministro eléctrico.
5. Para verificar el funcionamiento del horno microondas, coloque una taza (250 ml) de agua en la cavidad y programe un tiempo de cocción de un minuto al 100 % de potencia. Para probar el ventilador y el escape, haga funcionar el ventilador.
6. Compruebe que la puerta de ventilación si se abre automáticamente.
7. Si el horno microondas no funciona:
 - Verifique que no se haya fundido un fusible o disparado un disyuntor de la casa. Reemplace el fusible o reposicione el disyuntor. Si el problema continúa, llame a un electricista.
 - Verifique que el cable del suministro eléctrico esté enchufado en un contacto de pared de tres terminales con conexión a tierra.
 - Para obtener información sobre solución de problemas, vea las Instrucciones del usuario.

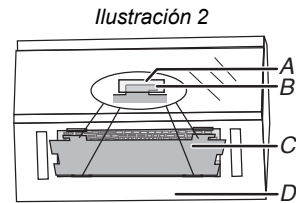
8. Si es para ventilación en el techo y ventilación en la pared, desinstale el filtro de carbón antes de utilizarlo, siguiendo los pasos que se indican a continuación.

Para desinstalar el filtro de carbón:

- a. Desconecte el suministro eléctrico.
- b. Empuje las áreas rebordeadas hacia atrás y, a continuación, tire hacia abajo del filtro de grasa de la placa inferior. Aparte el filtro de grasa. Consulte la ilustración 1 para más detalles.
- c. Tire de los cuatro ganchos hacia fuera para retirar el filtro de carbón de la placa inferior. Consulte la ilustración 2 para más detalles.
- d. Vuelva a colocar el filtro de grasa en la placa inferior y los muelles hacia atrás. Empuje las áreas rebordeadas hacia atrás, hasta que las dos lengüetas estén en posición, véase la ilustración 1.



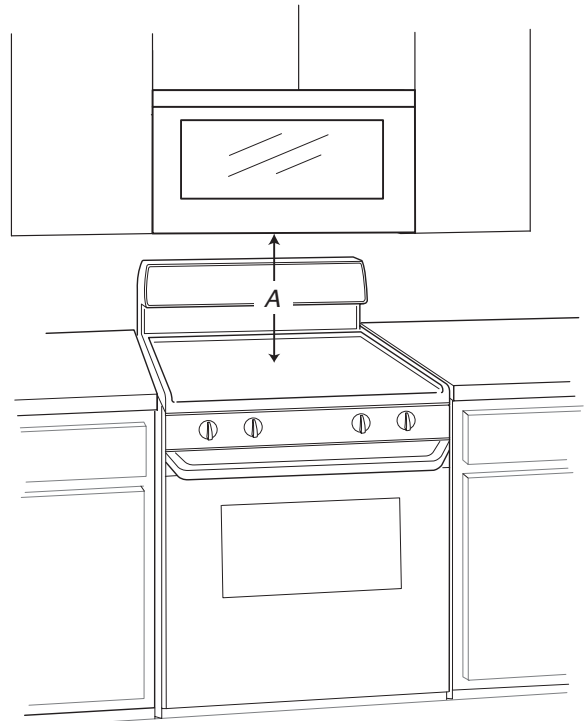
- A. Lengüetas
- B. Área rebordeada
- C. Filtro de grasa
- D. Muelle



- A. Orificios
- B. Ganchos
- C. Filtro de carbón
- D. Placa inferior

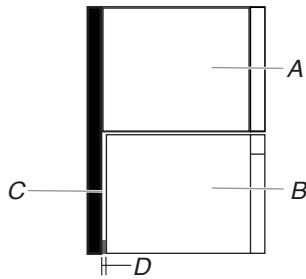
Se ha completado la instalación.

Conserve las Instrucciones de instalación para uso futuro.



A. La altura desde el punto más alto de la cocina hasta la parte inferior del horno microondas.

Mínimo	Recomendación
12 ¹ / ₈ " (30,8 cm)	18 ¹ / ₈ " (46 cm)



- A. Gabinete
 B. Horno microondas
 C. Pared o parte posterior del gabinete
 D. 1/2"-3/4" (1,3-1,9 cm)

ESPECIFICACIONES PARA EL DISEÑO DE LA VENTILACIÓN

Esta sección está destinada solamente para referencia del diseñador arquitectónico y el constructor/contratista.

NOTAS:

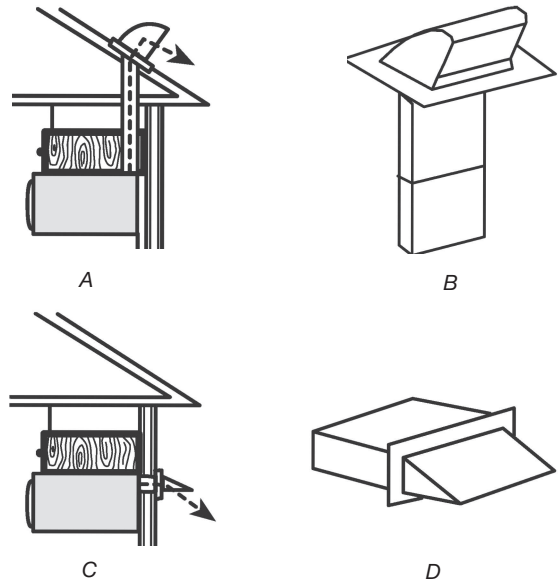
- Los materiales de ventilación necesarios para la instalación no se proveen con la combinación de microondas y campana.
- No recomendamos usar una ventilación de metal flexible.
- Para evitar posibles daños al producto, asegúrese de ventilar el aire hacia el exterior, a menos que se trate de una instalación con recirculación. No ventile el aire de escape en espacios ocultos, como espacios dentro de paredes o techos, desvanes, espacios angostos o garajes.

Para una instalación con ventilación óptima, recomendamos:

- Usar cubiertas de techo o de pared que tengan compuertas de contracorriente.
- Usar un ducto de ventilación de metal rígido.
- Usar la ruta más directa mediante la reducción al mínimo del largo del ducto de ventilación y el número de codos para proveer un rendimiento eficiente.
- Usar ductos de ventilación de tamaño uniforme.
- Usar cinta para ductos para sellar todas las juntas del sistema de ventilación.
- Usar un compuesto de calafateo para sellar la abertura exterior de la pared o el techo alrededor de la cubierta.
- Para un rendimiento óptimo de la campana, no instalar dos codos juntos.

Si va a tener la ventilación a través de la pared, cerciórese de que haya el espacio adecuado dentro de la pared para poder abrir completamente la compuerta.

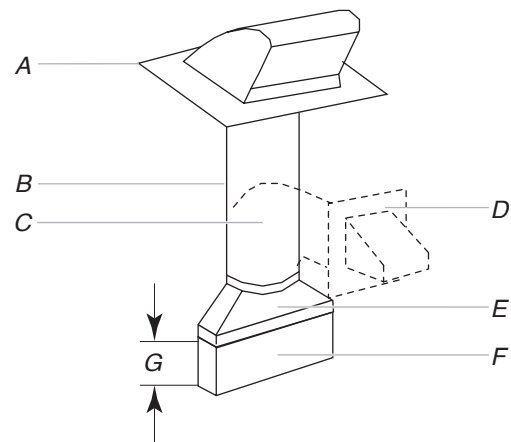
Si la ventilación se hará a través del techo y va a usar un tubo de transición rectangular a redondo, cerciórese de que haya un espacio de al menos 3" (7,6 mm) entre la parte superior del horno microondas y el tubo de transición. Consulte la ilustración "Transición rectangular a redondo".



- A. Ventilación en el techo
 B. Cubierta para el techo
 C. Ventilación en la pared
 D. Cubierta para la pared

Transición de rectangular a redondo

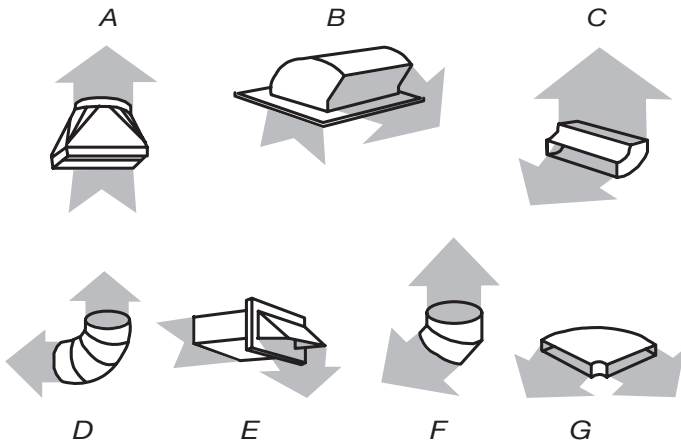
NOTA: Debe haber un espacio mínimo de 3" (7,6 cm) entre la parte superior del horno microondas y el tubo de ajuste rectangular a redondo para poder abrir la compuerta libre y completamente.



- A. Cubierta para el techo
 B. Ducto de escape redondo con diámetro mínimo de 6" (152 mm)
 C. Codo (solo para la ventilación a través de la pared)
 D. Cubierta para la pared
 E. Pieza de transición de transición rectangular a redondo de 3¹/₄" x 10" a 6" (8,3 x 25,4 cm a 15,2 cm)
 F. Pieza para la extensión del ducto de ventilación, al menos 3" (7,6 cm) de altura
 G. 3" (7,6 cm)

Accesorios estándar recomendados

Los siguientes largos equivalentes son para usar cuando se calcule el largo del ducto de ventilación. Consulte los ejemplos en "Largo recomendado del ducto de ventilación".



- A. Pieza de transición de rectangular a redondo: $3\frac{1}{4}'' \times 10''$ a $6'' = 5$ pies ($8,3 \times 25,4 \text{ cm}$ a $15,2 \text{ cm} = 1,5 \text{ m}$)
- B. Cubierta para el techo: $3\frac{1}{4}'' \times 10'' = 24$ pies ($8,3 \times 25,4 \text{ cm} = 7,3 \text{ m}$)
- C. Codo de 90° : $3\frac{1}{4}'' \times 10'' = 25$ pies ($8,3 \times 25,4 \text{ cm} = 7,6 \text{ m}$)
- D. Codo de 90° : $6'' = 10$ pies ($15,2 \text{ mm} = 3 \text{ m}$)
- E. Cubierta para la pared: $3\frac{1}{4}'' \times 10'' = 40$ pies ($8,3 \times 25,4 \text{ cm} = 12,2 \text{ m}$)
- F. Codo de 45° : $6'' = 5$ pies ($15,2 \text{ mm} = 1,5 \text{ m}$)
- G. Codo plano de 90° : $3\frac{1}{4}'' \times 10'' = 10$ pies ($8,3 \times 25,4 \text{ cm} = 3 \text{ m}$)

Largo recomendado del ducto de ventilación

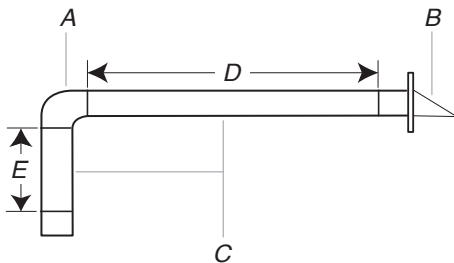
Deberá usarse un ducto de ventilación rectangular de $3\frac{1}{4}'' \times 10''$ ($8,3 \times 25,4 \text{ cm}$) o uno redondo de $6''$ ($15,2 \text{ cm}$).

El largo total del sistema de ventilación, incluido el ducto de ventilación recto, los codos, los tubos de transición y las cubiertas de la pared o del techo, no deberá exceder el equivalente a 140 pies ($42,7 \text{ m}$) para cualquier tipo de ventilación. Vea la sección "Accesorios estándar recomendados" para los largos equivalentes.

Para un rendimiento óptimo, no use más de tres codos de 90° .

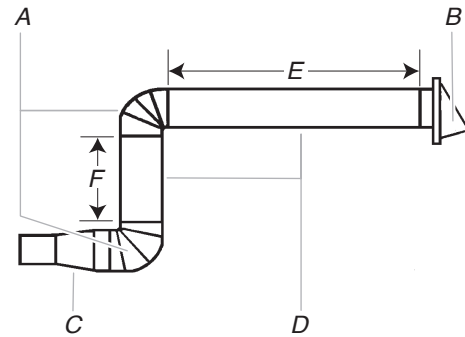
Para calcular el largo del sistema que va a necesitar, agregue el largo equivalente de cada pieza de ventilación que se usará en el sistema. Vea los ejemplos siguientes:

Sistema de ventilación de $3\frac{1}{4}'' \times 10''$ ($8,3 \times 25,4 \text{ cm}$) = 73 pies (22,2 m) en total



- A. Un codo de 90° de $3\frac{1}{4}'' \times 10''$ ($8,3 \times 25,4 \text{ mm}$) = 25 pies ($7,6 \text{ m}$)
- B. 1 cubierta para la pared = 40 pies ($12,2 \text{ m}$)
- C. 2 pies ($0,6 \text{ m}$) + 6 pies ($1,8 \text{ m}$) recto = 8 pies ($2,4 \text{ m}$)
- D. 6 pies ($1,8 \text{ m}$)
- E. 2 pies ($0,6 \text{ m}$)

Sistema de ventilación de $6''$ (152 mm) = 73 pies (22,2 m) en total



- A. Dos codos de $90^\circ = 20$ pies ($6,1 \text{ m}$)
- B. 1 cubierta para la pared = 40 pies ($12,2 \text{ m}$)
- C. 1 tubo de transición rectangular a redondo = 5 pies ($1,5 \text{ m}$)
- D. 2 pies ($0,6 \text{ m}$) + 6 pies ($1,8 \text{ m}$) recto = 8 pies ($2,4 \text{ m}$)
- E. 6 pies ($1,8 \text{ m}$)
- F. 2 pies ($0,6 \text{ m}$)

Si el ducto de ventilación existente es redondo, deberá usarse un tubo de transición rectangular a redondo. También deberá instalarse un ducto de escape de extensión rectangular de $3''$ ($7,6 \text{ cm}$) entre el conjunto de la compuerta y un tubo de ajuste rectangular a redondo para evitar que la compuerta se adhiera.

NOTES

NOTES

NOTES

NOTES

NOTES