

POT  
DETECTORTOUCH  
CONTROLTEMPERATURE  
MANAGER

BRIDGE ZONES



STOP&amp;GO

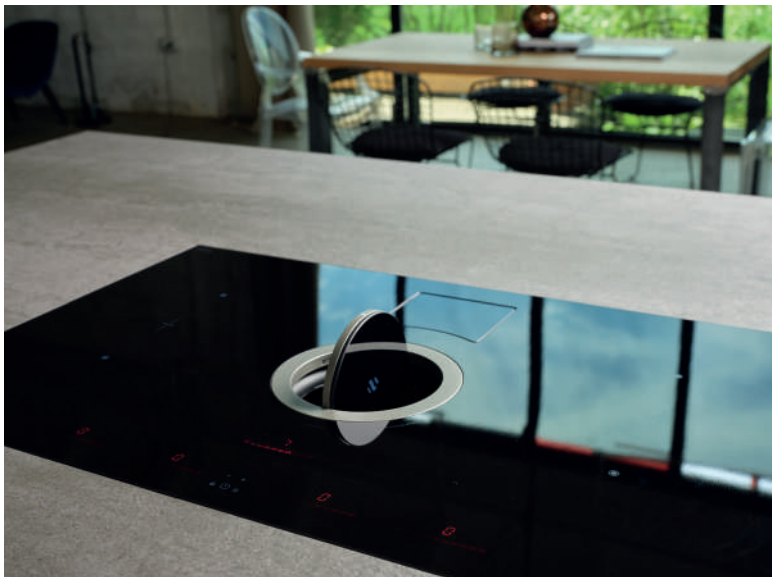


AIRMATIC

ODOR  
FILTERSELICA'S EXCLUSIVE  
PLUS FEATURES

Extremely clean lines give life to a truly exclusive appliance, NikolaTesla Switch, a concentrate of design and technology through which Elica has revolutionized the daily cooking experience.

A return to the origins with a simple induction cooktop, featuring continuous surfaces and a display that becomes completely invisible in stand-by mode. The extraction area is cleverly hidden by a black glass and steel disk, characterizing the product without clashing with the other elements.



## PLUS FEATURES



**POT DETECTOR** - Automatically detects a pot on a cooking zones and sends a signal to the hood. Elica hoods with STREAM technology will turn on automatically.



**TOUCH CONTROL** - Enjoy effortless cooking, and fully control each cooking zone with the tip of a single finger.



**TEMPERATURE MANAGER** - For speed and convenience, pre-set cooking zones to automatically turn on to a desired temperature.



**BRIDGE ZONES** - Bridge Zones can work individually or automatically combine into an extra large zone that accommodates larger pots and pans. No need to worry about pot size, the cooking surface adapts for you.



**STOP & GO** - Switch off all of the cooking zones at once. Walk away with complete confidence and safety.



**AIRMATIC** - The auto aspiration adjusts automatically to the number and power of the used cooking zones.



**ODOR FILTERS** - This recirculating filter is suitable for the most challenging cooking environment, given its superior ability to filter and purify the air. The new Elica Technology is able to achieve filtering threshold of 82% against the market average of 60%. It can be regenerated up to 5 years if placed in oven at 390° F for 45 minutes every 2/3 months.

# NIKOLATESLA SWITCH



## SPECIFICATIONS

	36" UNIT
Model:	ENS436BL
Dimensions:	36" x 20 1/16" x 8 1/4"
Cooking Zones:	4 Cooking Zones 4 (2,1 - 3,7kW) - 7,1 x 7,9 inches
Range Hood/ Ventilation Controls:	Slider Touch Control 3S + Booster Ventilation
Heating Level:	9 Levels + Booster *(see details in chart below)
Installation Type:	Ducted Out or Recirculating
Blower Type:	
Speed 1	160 CFM
Speed 2	250 CFM
Speed 3	350 CFM
Speed 4	400 CFM (Booster)
Noise (sones):	Min: 2.2, Max: 5
Filter Specifications:	6 Layer Anodized Aluminum Mesh Grease Filter
Electrical:	208 - 240 V - 60 Hz 440 Watts at 3.3 Amps 240V - 7.8kW at 32.5 Amps 208V - 7.1kW at 34.1 Amps



Cooking Level	Power (W)
Low	53 W
Level 1	63 W
Level 2	105 W
Level 3	168 W
Level 4	252 W
Level 5	378 W
Level 6	588 W
Level 7	882 W
Level 8	1344 W
Level 9	2100 W
Booster	3700 W

\*The product images shown are for illustration purposes only and may not be an exact representation of the product.

Glass Specifications	
Material	Glass-ceramic cooking panel
Appearance	Deep - black color
Thickness	4mm
Color in reflexion	Black
Color in transmission	Amber
Surface structure	Though crystal smooth scratch and stain-resistant

## AWARDS

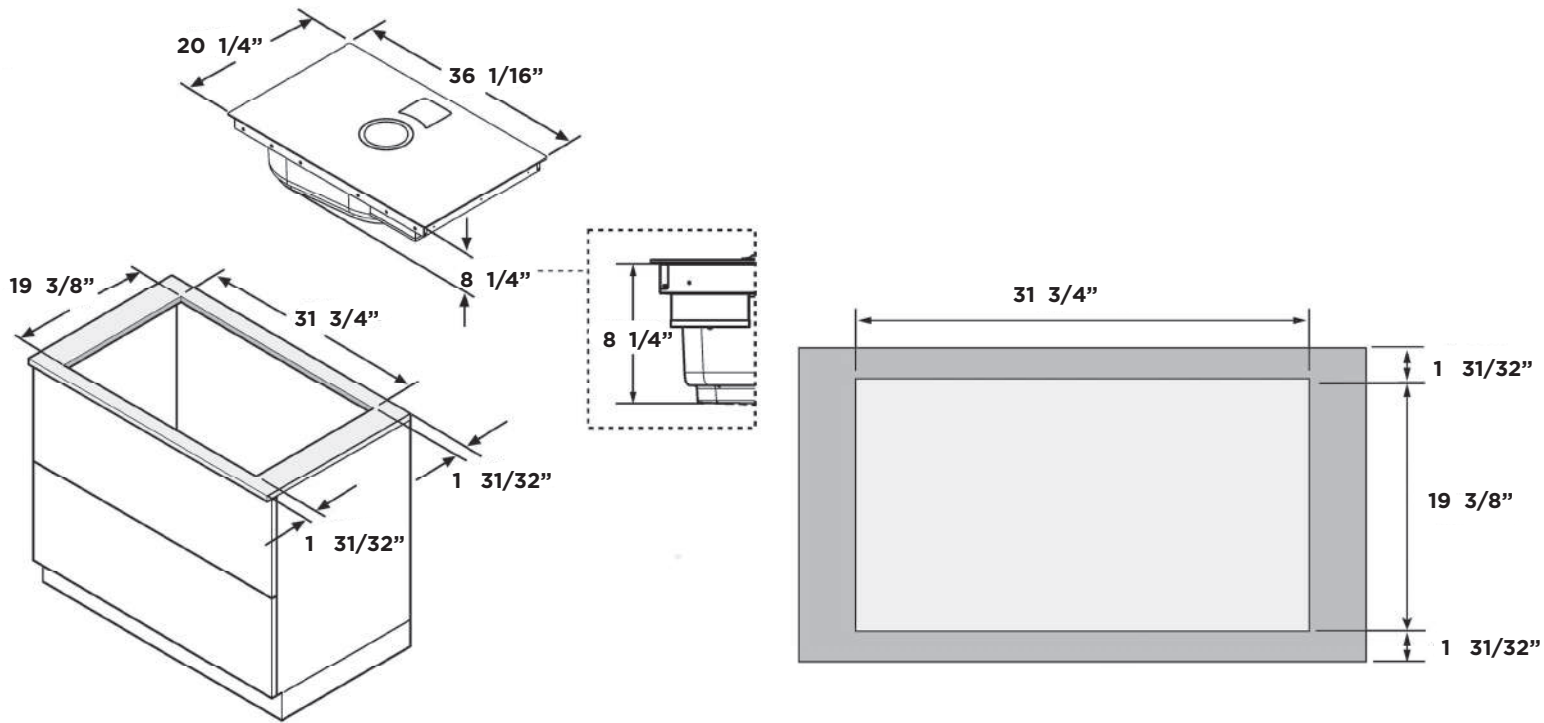


reddot design award winner

\* The glass featured in NikolaTesla models is environmentally friendly, manufactured without arsenic or antimony metals.

## CUT OUT DIMENSIONS

### TRADITIONAL INSTALLATION



### FLUSH MOUNTED INSTALLATION

