



# INSTALLATION INSTRUCTIONS

**Advantium® Built-In Wall Oven 240V 30"**

ENGLISH/ESPAÑOL

MONOGRAM.COM

# Safety Information

## BEFORE YOU BEGIN

Read these instructions completely and carefully.

**IMPORTANT** — Save these instructions for local inspector's use.

**IMPORTANT** — Observe all governing codes and ordinances.

- **Note to Installer** — Be sure to leave these instructions with the Consumer.
- **Note to Consumer** — Keep these instructions with your Owner's Manual for future reference.
- **Skill Level** — Installation of this appliance requires basic mechanical and electrical skills.
- **Completion Time — 1 Hour.**
- Proper installation is the responsibility of the installer. Product failure due to improper installation is not covered under the warranty. See Owner's Manual for warranty information.

**IMPORTANT** — Use this oven only for its intended purpose. Never use the oven for warming or heating a room. Prolonged use of the oven without proper ventilation can be hazardous.

**⚠ CAUTION** For personal safety, remove house fuse or oven circuit breaker before beginning installation to avoid severe or fatal shock injury.

**⚠ CAUTION** For personal safety, the mounting surface must be capable of supporting the cabinet load, in addition to the added weight of the oven and drawer, plus additional oven loads.

## CONTENTS

### Design Information

Models Available .....	2
Product Dimensions and Clearances .....	3
Tools and Parts Required .....	3
Advance Planning .....	3

### Installation Preparation

Electrical Requirements .....	4
Install Junction Box .....	4
Preparing the Opening (Installation without an accessory storage drawer).....	5
Flush Mount .....	7
With Accessory Storage Drawer .....	8

### Installation Instructions

Step 1, Remove Packaging and Parts .....	9
Step 2, Route Conduit.....	10
Step 3, Install Bottom Trim.....	11
Step 4, Install Mounting Screws.....	11
Step 5, Finalize Installation .....	11

## MODELS AVAILABLE

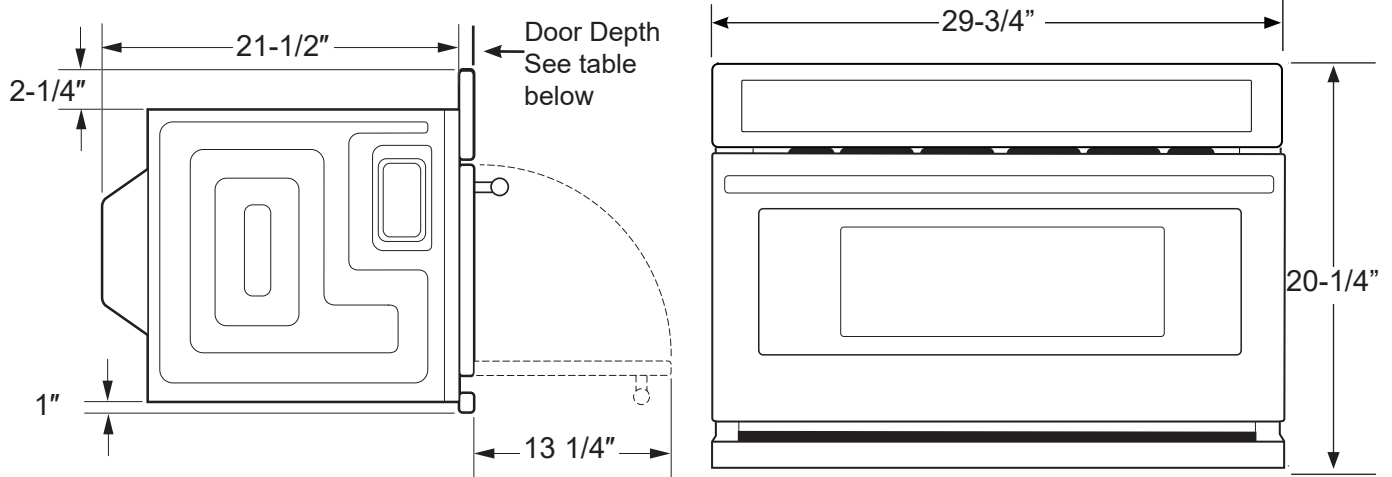
ZSB9231NSS – Stainless Steel

ZSB9232NSS – Stainless Steel

# Design Information

## PRODUCT DIMENSIONS AND CLEARANCES

NOTE: Appearance will vary by model.



## TOOLS AND PARTS REQUIRED (NOT SUPPLIED)

- #2 Phillips screwdriver
- Hand held drill
- High speed drill bit, 3/32" diameter
- 3/8" slot head screwdriver
- Level
- Saw
- 2x4 or 2x2 lumber for installing runners or 3/8" plywood for floor (if required)
- Wood screws or other hardware for installing runner or shelf to support oven (if required)
- Safety glasses or goggles

## ELECTRICAL TOOLS AND PARTS REQUIRED (NOT SUPPLIED)

- Junction box
- Electrical cable (3-conductor or 4-conductor wire as required by local codes)
- UL-listed conduit connectors
- Wire cutters and wire strippers

## FLUSH MOUNT INSTALLATION

This installation method allows for the unit face to be inline with the cabinet face.

**IMPORTANT: HIGH SKILL LEVEL IN CARPENTRY IS REQUIRED. Non-standard cabinetry may be required.**

Flush installation of the oven will lead to the exposure of the cabinet face frame edges.

Side cleats may be visible and should be a finished surface.

Model	Door Depth
ZSB9231NSS	1-3/8"
ZSB9232NSS	1-7/16"

## ADVANCE PLANNING

- These ovens may be installed directly into a 30" wide oven cabinet.
- Cutout dimensions are NOT the same for installation with or without an accessory storage drawer. Make sure to use the correct cutout when preparing the opening.

**IMPORTANT** — This oven is not approved for use above another built-in Advantium Speedcook oven, a side by side installation or below a countertop.

- For personal safety, this oven cannot be installed in a cabinet arrangement such as an island or peninsula.
- The oven must be installed at least 36-3/4" above the floor.
- Allow for clearance to adjacent corners, walls, drawers, etc.
- Cabinets installed adjacent to wall ovens must have an adhesion spec of at least 194°F temperature rating.

The oven must be securely installed in a cabinet that is firmly attached to the house structure. Weight on the oven door could cause the oven to tip and result in injury. Never allow anyone to climb, sit, stand or hang on the oven door.

If installing the drawer accessory, the drawer must be assembled to the oven prior to installation into the cabinet. See the Accessory Storage Drawer Assembly Instructions.

# Installation Preparation

## ELECTRICAL REQUIREMENTS

### Single Advantium Installation

Product rating is 120/208 or 120/240 volt, 60 Hz, 30 amps. This product must be connected to a supply circuit of the proper voltage and frequency and protected by a time delay fuse or circuit breaker. Power should be supplied from a separate, dedicated 30-ampere branch circuit. Wire size must conform to the requirements of the National Electrical Code or the prevailing local code.

### Combined Advantium and Wall Oven Installation

When installed in combination with a single wall oven, use separate electrical junction boxes.

Refer to single oven installation instructions for electrical requirements of that product.

These connections must be made by a qualified electrician. All electrical connections must meet National Electrical Code or prevailing local codes.

### Combined Advantium and Warming Drawer Installation

When installing the Advantium oven over an electric warming drawer, a separate 120V, 60Hz, properly

grounded receptacle must be installed. See instructions packed with the warming drawer.

## ⚠ WARNING

- The electrical power to the oven branch circuit must be shut off while line connections are being made.
- Use copper wiring only.
- Electrical ground is required on this appliance. The free end of the green wire (ground wire) must be connected to a suitable ground. This wire must remain grounded to the oven.
- If cold water pipe is interrupted by plastic, non-metallic gaskets, union connections or other insulating materials, DO NOT use for grounding.
- DO NOT ground to a gas pipe.
- DO NOT have a fuse in the NEUTRAL or GROUNDING circuit. A fuse in the NEUTRAL or GROUNDING circuit could result in an electrical shock.
- Check with a qualified electrician if you are in doubt as to whether the appliance is properly grounded.

Failure to follow these instructions could result in serious injury or death.

## GROUNDING INSTRUCTIONS

### ⚠ WARNING

Improper use of the grounding plug can result in a risk of electric shock.

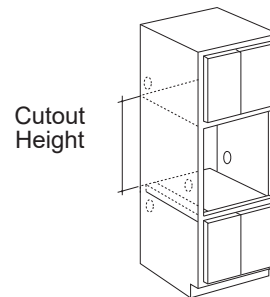
This appliance must be connected to a grounded, metallic, permanent wiring system, or an equipment grounding conductor should be run with the circuit conductors and connected to the equipment grounding terminal or lead on the appliance.

## INSTALL JUNCTION BOX

The conduit is located at the top right on the back of the oven.

Locate and install the junction box within reach of the oven conduit.

- Through the left or right sides of the cabinet wall and into adjacent cabinet.
- Or, through the cutout floor.
- Or, in the upper cabinet.



# Installation Preparation

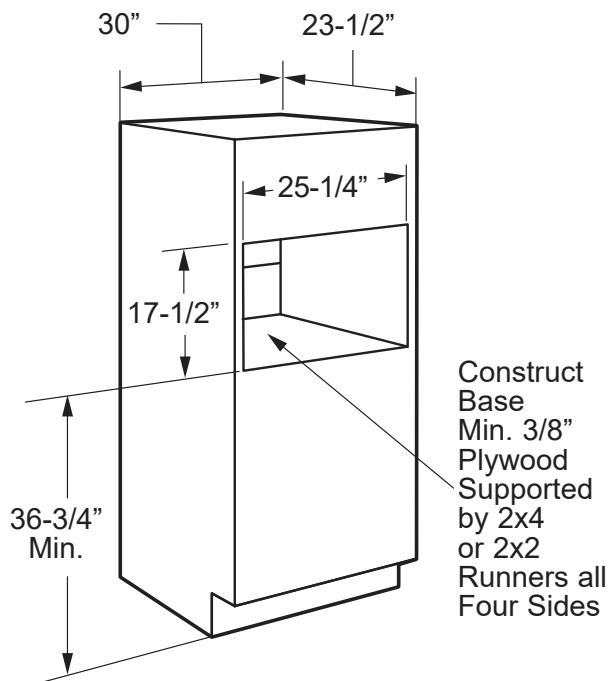
**IMPORTANT:** Always maintain 36-3/4" minimum height from the floor to the cutout in any single or combined installation.

## PREPARE THE OPENING

The Advantium 240V can be installed in combination with other Monogram Built-In appliances. Always follow each product's Installation Instructions to complete the installation.

### Single Advantium 240V Installation:

Order a 30" wide single oven cabinet or cut the opening in a wall to the dimensions shown.



- Always maintain 36-3/4" minimum height from the floor to the cutout in any single or combined installation.
- Allow 2-3/8" clearance on the sides and 1-1/8" clearance on the bottom of the opening for all models. Allow 1 7/8" clearance on the top.
- Oven overlaps will conceal cut edges on all sides of the opening.

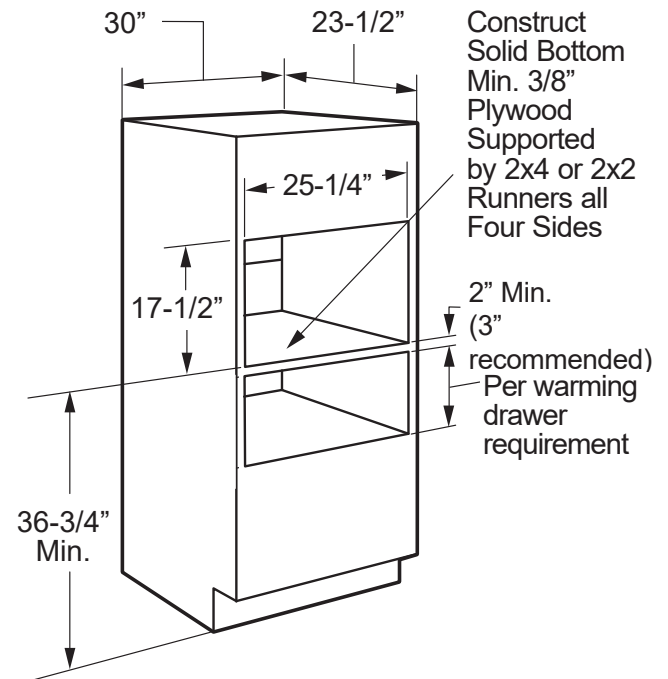
When installed over a single oven or a warming drawer, allow at least 2" between the two openings. This separation will provide clearance for bottom overlap of the Advantium 240V and the other appliance overlaps.

Construct a solid oven floor of 3/8" min. thick plywood supported by 2 x 4 or 2 x 2 runners on all sides.

- The support must be level and rigidly mounted, flush with the bottom edge of the cutout.

## PREPARE THE OPENING (CONT.)

### Installation over a Warming Drawer:



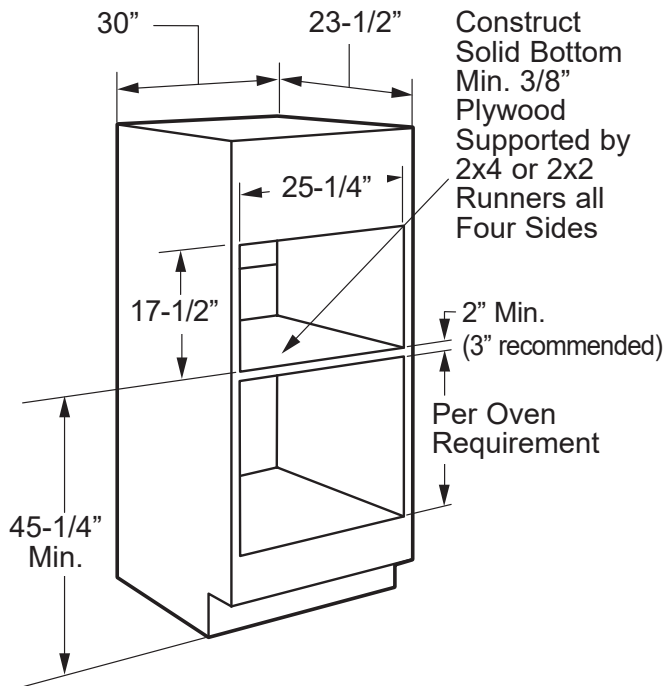
**NOTE:** Additional clearances between the cutouts may be required. Check to be sure the oven supports above the Warming Drawer location do not obstruct the required interior depth and height. See Warming Drawer installation instructions for details.

# Installation Preparation

**IMPORTANT:** Always maintain 36-3/4" minimum height from the floor to the cutout in any single or combined installation.

## PREPARE THE OPENING (CONT.)

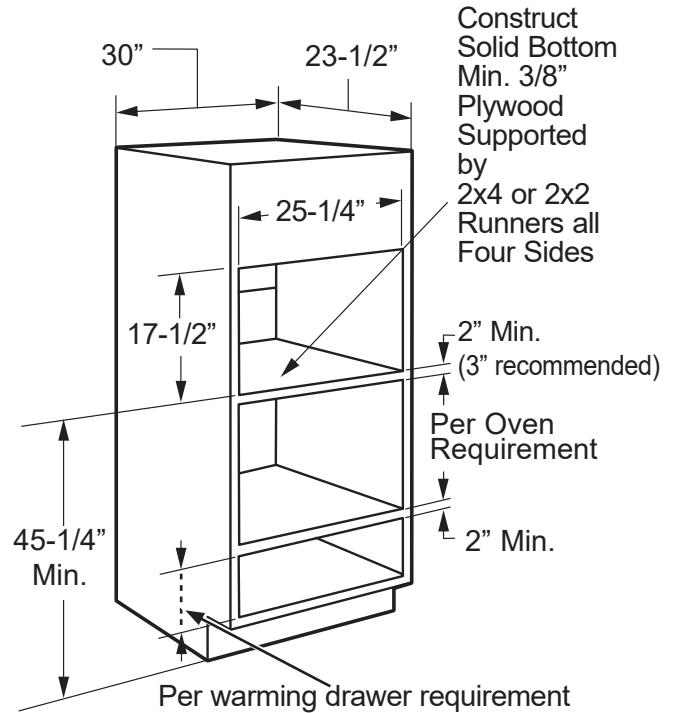
### Installation over a Wall Oven:



- If you are replacing an electric double oven with the combined installation of an Advantium 240V and a single oven, use the dimensions shown. The middle rail separating the two openings may need to be larger than the 2" minimum shown.

## PREPARE THE OPENING (CONT.)

### Installation over a Wall Oven and Warming Drawer:



**NOTE:** Additional clearances between the cutouts may be required. Check to be sure the oven supports above the Warming Drawer location do not obstruct the required interior depth and height. See Warming Drawer installation instructions for details.

### **CAUTION**

For personal safety, the mounting surface must be capable of supporting the cabinet load, in addition to the added weight of the oven and drawer, plus additional oven loads.

# Flush Mount Installation Preparation

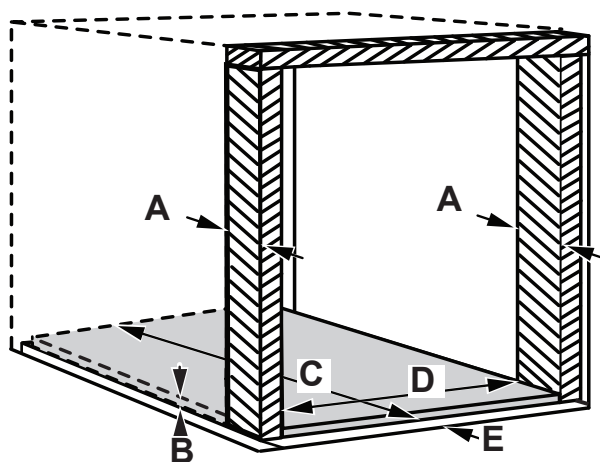
## PREPARE THE INTERIOR

### Cut and install side cleats:

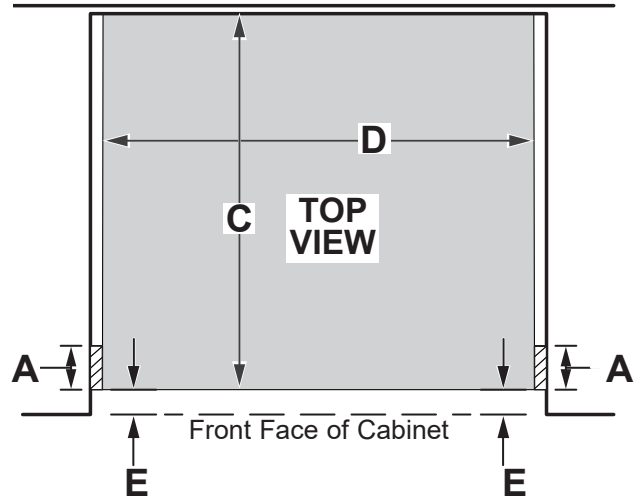
- Cut side wood cleats to height of cabinet opening and approx. 2-1/2" in depth. Install, on each side, Dim. E (See table below) from the front face of the cabinet.

### Cut and install bottom cleat:

- Cut bottom wood cleat to a height of 1-1/8", a depth of the cabinet **minus** Dim. E (See table below) and a width of 25-1/4" to fit between side cleats. Install onto the cabinet floor between the side cleats, push it all the way back against cabinet wall and make sure its front face aligns with the front faces of the side cleats (Dim. E, from the table below, gap from the front cabinet face).



A	Side and top cleats depth	2-1/2" min.
B	Bottom cleat height	1-1/8"
C	Bottom cleat depth	Cabinet depth <b>minus</b> Dim E."
D	Bottom cleat width	25-1/4"
E	All four cleats inset depth	ZSB9231NSS: 1-3/8" ZSB9232NSS: 1-7/16"

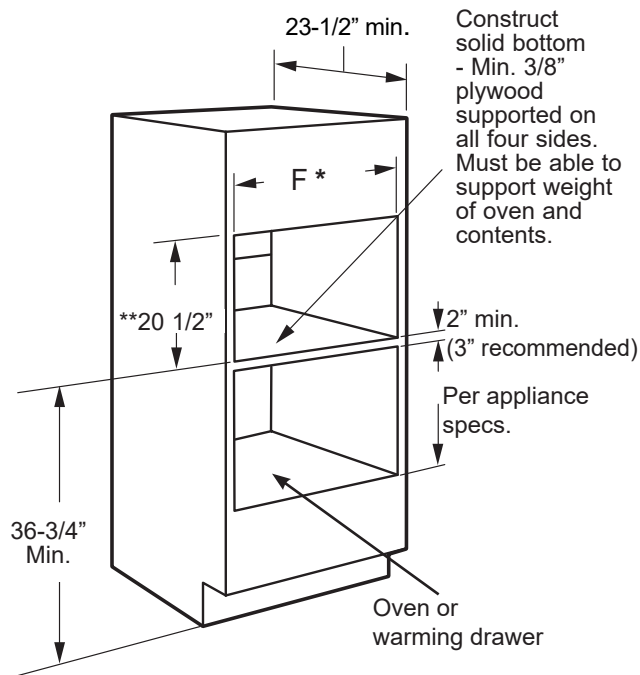


## PREPARE THE OPENING

The Advantium Built-In Oven can be installed in combination with other Monogram Built-In ovens. Always follow each product's Installation Instructions to complete the installation.

### Single Advantium Built-In Oven Installation:

Cut the opening in a cabinet to the dimensions shown.



- The support must be level and rigidly mounted, flush with the bottom edge of the cutout.

Approved Flush Installation	Dimension F	
	1/8" Reveal	1/4" Reveal
Single Advantium	30"	30-1/4"
Over Warming Drawer	30"	30-1/4"
Over Oven	30"	30-1/4"
Over Oven and Warming Drawer	30"	30-1/4"

\*\* Top and bottom reveals are set to 1/8".

# Installation Preparation with Accessory Storage Drawer

## Preparation with an Accessory Storage Drawer

As needed, see the Standard Mount Installation Preparation OR Flush Mount Installation Preparation for configuration details. Note the modified cutout height below.

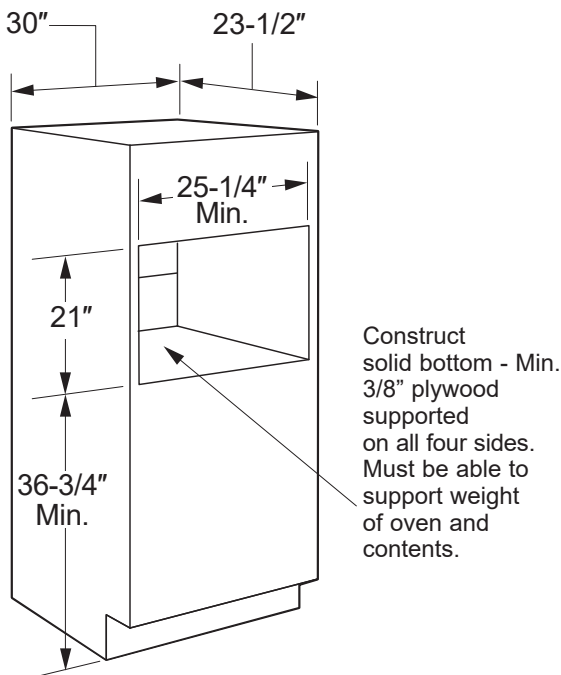
### PREPARE THE OPENING (cont.)

The Advantium Built-In Oven can be installed in combination with other Monogram appliances. Always follow each product's Installation Instructions to complete the installation.

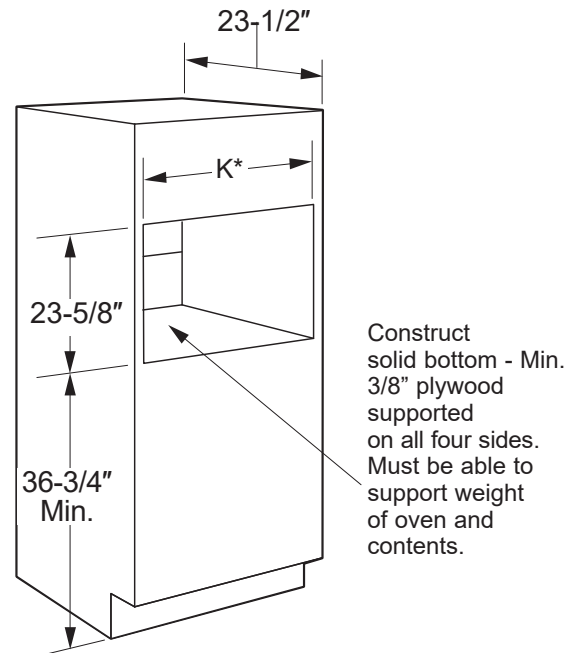
#### Single Advantium Built-In Oven Installation:

Order a 30" wide single oven cabinet or cut the opening in a wall to the dimensions shown.

#### STANDARD MOUNT:



#### FLUSH MOUNT:



Dimension	1/8" Reveal	1/4" Reveal
K	30"	30-1/4"

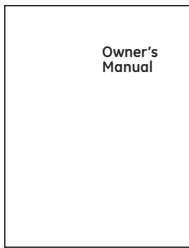
- When installed over a storage drawer, make the bottom cleat height 3/4".
- Allow 2-3/8" clearance on the sides, 1-7/8" clearance on the top and 1-1/8" clearance on the bottom of the opening for all models.
- Oven overlaps will conceal cut edges on all sides of the opening.
- When installed over a single oven or a warming drawer, allow at least 2" between the two openings. This separation will provide clearance for bottom overlap of the Advantium Built-In Oven and the other appliance overlaps.
- The support must be level and rigidly mounted, flush with the bottom edge of the cutout.



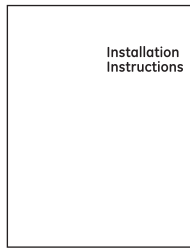
# Installation Instructions

## 1 REMOVE THE PACKAGING AND PARTS

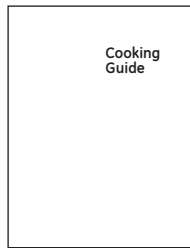
- Remove all packing material and tape.
- Locate parts package containing mounting screws.
- Remove the oven from the carton. Do not lift unit by handle or conduit. Two people are required to lift this oven.
- Open the door and remove any packaging in oven.



Owner's Manual



Installation Instructions



Cooking Guide



Glass Tray



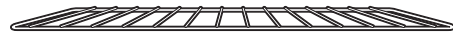
Turntable Ring



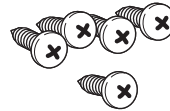
Metal Tray



Metal Grill Tray



Rack



5 Color-Matched Screws  
(4 required, 1 extra)



8 Brass Screws for the  
Bottom Trim  
(3 required, 5 extra)



Flat-Head Screws (4 extra)



Bottom Trim

**IMPORTANT:** If installing the Advantium Built-In Oven with an accessory storage drawer, read the storage drawer assembly instructions to assemble the products together before proceeding to Step 2.

# Installation Instructions

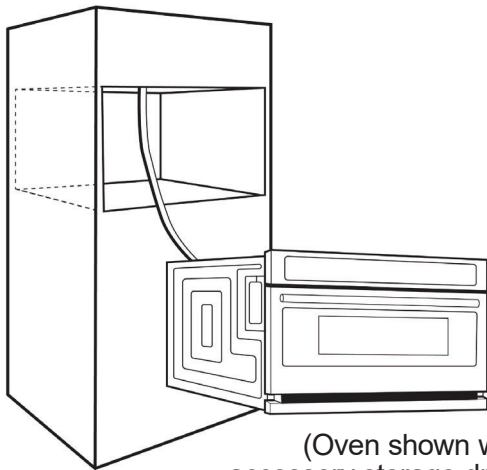
## 2 ROUTE CONDUIT THROUGH CUTOUT

**CAUTION** Two people are required to lift the oven into the opening.

Grasp the bottom at front and rear. Discard foam base. **DO NOT USE HANDLE OR CONDUIT TO LIFT THE OVEN. DAMAGE WILL OCCUR.**

With oven in front of the cabinet opening:

- Insert conduit into cabinet opening. Connect oven wiring and branch circuit.
- Lift the oven into the opening while continuing to feed the conduit in the direction of the installed junction box. Be sure the conduit does not get pinched between the back of the oven and the cabinet wall.
- Leave oven a few inches forward of the cabinet front frame. Do not push the unit all of the way into the cutout.



(Oven shown without accessory storage drawer.)

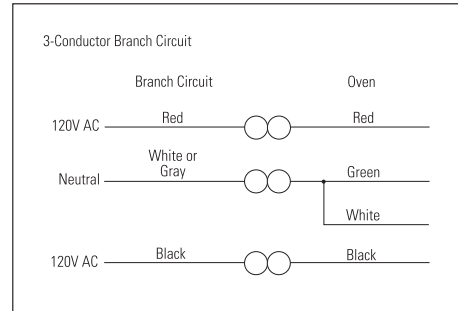
### WARNING

- Disconnect power to the junction box before making the electrical connection.
- Electrical ground is required on this appliance.
- Do not connect the electrical supply until appliance is permanently grounded.

## 2 ROUTE CONDUIT THROUGH CUTOUT (CONT.)

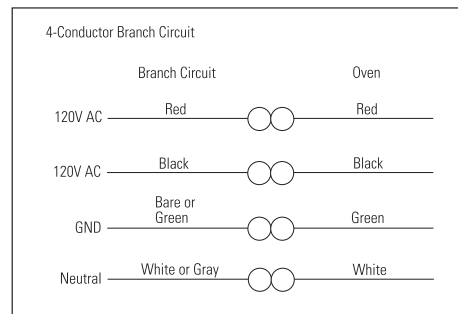
**When connecting to a 3-conductor branch circuit:**

- Connect oven red lead to branch circuit red lead.
- Connect oven black lead to branch circuit black lead.
- Connect oven green ground lead and white lead to branch circuit neutral (white or gray).



**When connecting to a 4-conductor branch circuit:**

- Connect oven red lead to branch circuit red lead.
- Connect oven black lead to branch circuit black lead.
- Break connection between oven white lead and oven green ground lead.
- Connect oven white lead to branch circuit neutral lead (white or gray).
- Connect oven green ground lead to branch circuit ground lead (green or bare copper).

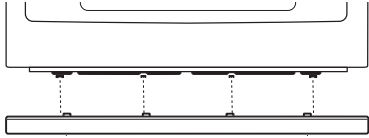


# Installation Instructions

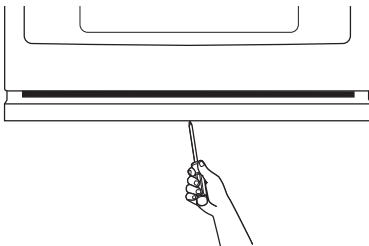
## 3 INSTALL BOTTOM TRIM

**NOTE:** If installing the Advantium 240 Oven with an accessory storage drawer, the bottom trim is not required. Proceed to Step 4.

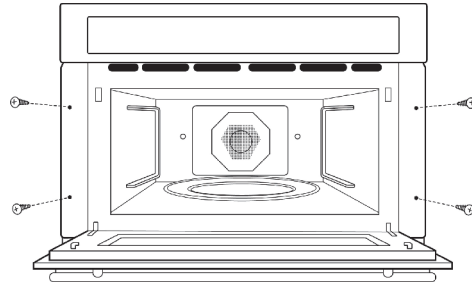
- Align bottom trim tabs to slots in the bottom of the oven.



- Secure the bottom trim to the bottom of the oven using 3 brass screws provided.



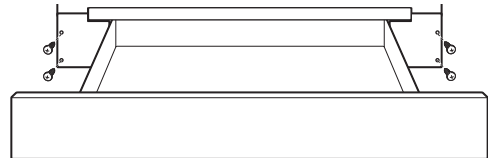
## 4 INSTALL MOUNTING SCREWS



- Slide the oven the remaining way into the opening so that the side flanges and control panel are against the cabinet frame. Make sure that the oven is centered in the opening.
- Open the door, place a turntable tray in the oven and make sure that the tray in the unit is level.
- Drill pilot holes through the side flanges.
- Drive the color matched screws into the side flanges. It is recommended that the screws be hand tightened.

### If installing oven with an accessory storage drawer:

- Open the drawer.
- Drill pilot holes through the side flanges.
- Drive color match screws into the side flanges. It is recommended that the screws be hand tightened.



## 5 FINALIZE INSTALLATION

- Turn power on at the source. The interior light should come on when the door is opened.
- Refer to Owner's Manual for operating instructions.

# Notes

---

# Notes

---

**31-700080 Rev.0**

08-19 GEA

Printed in China



# INSTRUCCIONES DE INSTALACIÓN

**Horno Advantium® 240V 30"**

ESPAÑOL

MONOGRAM.COM

# Información sobre Seguridad

## ANTES DE COMENZAR

Lea estas instrucciones en su totalidad y atentamente.

**IMPORTANTE** — Conserve estas instrucciones para uso del inspector local.

**IMPORTANTE** — Cumpla con todos los códigos y ordenanzas gubernamentales.

- **Nota para el Instalador** — Asegúrese de que el Comprador conserve estas instrucciones.
- **Nota para el Consumidor** — Guarde estas instrucciones con su Manual del Propietario para referencia futura.
- **Nivel de habilidad** — La instalación de este electrodoméstico requiere un nivel básico de habilidades mecánicas y eléctricas.
- **Tiempo de Compleción — 1 Hora.**
- Es responsabilidad del instalador realizar una instalación adecuada. Si se producen fallas en el producto debido a una instalación inadecuada, la garantía no cubrirá las mismas. Para obtener información sobre la garantía, consulte el Manual del Propietario.

**NOTA:** Sólo se aprueba la instalación de este horno de acuerdo con los modelos específicos que aparecen etiquetados en esta unidad.

**IMPORTANTE** — Use este electrodoméstico sólo para su propósito original. Nunca use el electrodoméstico para calentar o calefaccionar una habitación. El uso prolongado del horno sin una ventilación adecuada puede ser riesgoso.

**⚠ PRECAUCIÓN** Para su seguridad personal, retire el fusible del hogar o el disyuntor abierto antes de comenzar la instalación, a fin de evitar lesiones graves o una descarga mortal.

**⚠ PRECAUCIÓN** Para su seguridad personal, la superficie de instalación deberá poder soportar la carga del gabinete, además del peso agregado del horno y el cajón, sumado esto a las cargas adicionales del horno.

## CONTENIDO

### Información de Diseños

Modelos Disponibles .....	3
Dimensiones Y Espacios De Despeje Del Producto.....	3
Herramientas Y Piezas Requeridas .....	3
Planificación Anticipada .....	3

### Preparación de la Instalación

Requisitos Eléctricos .....	4
Instrucciones De Conexión A Tierra .....	4
Instalar Caja de Conexiones .....	4
Preparación De La Abertura (Instalación sin un cajón de almacenamiento de accesorios).....	5
Montaje al Ras .....	7
Preparación con un cajón de almacenamiento de accesorios .....	8

### Instrucciones de Instalación

Step 1 .....	9
Step 2 .....	10
Step 3 .....	11
Step 4 .....	11
Step 5 .....	11

## MODELOS DISPONIBLES

ZSB9231NSS – Acero Inoxidable

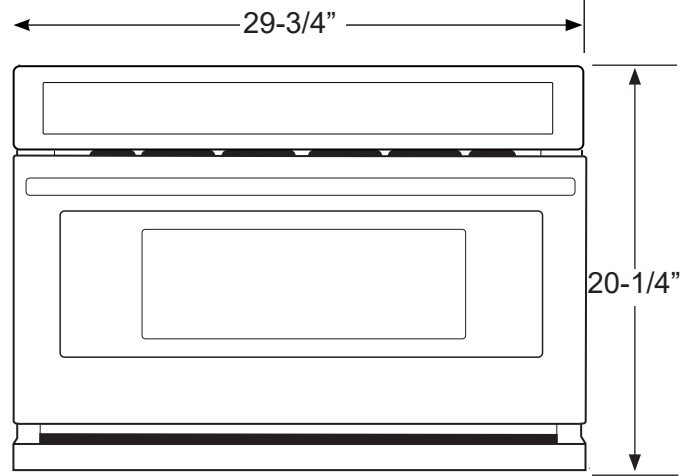
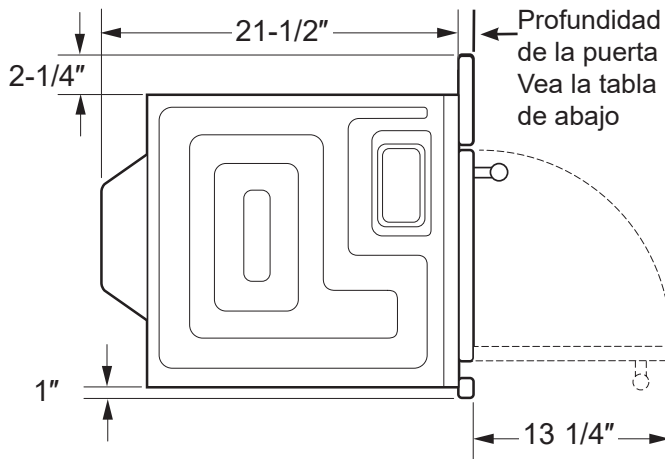
ZSB9232NSS – Acero Inoxidable



# Información de Diseños

## DIMENSIONES Y ESPACIOS DE DESPEJE DEL PRODUCTO

NOTA: La apariencia variará según el modelo



## HERRAMIENTAS Y PIEZAS REQUERIDAS (NO SUMINISTRADAS)

- Destornillador Phillips nº 2
- Perforadora manual
- Taladro de alta velocidad, diámetro de 3/32"
- Destornillador con punta Phillips de 3/8"
- Nivel
- Sierra
- Contrachapado para piso de un mín. de 3/8" (si se requiere)
- Tornillos de madera y otras herramientas para instalar el riel o el estante para sostener el horno (si se requiere)
- Anteojos o gafas de seguridad
- Caja de conexiones
- Cable eléctrico (cable de 3 o 4 conductores según lo exijan los códigos locales)
- Conectores de conducto con certificación UL
- Cortadores de alambre y pelacables

Modelo	Door Depth
ZSB9231NSS	1-3/8"
ZSB9232NSS	1-7/16"

## PLANIFICACIÓN ANTICIPADA

- Estos hornos pueden ser instalados directamente en un gabinete para horno de 30" de ancho, utilizando la instalación estándar.
- Las dimensiones de altura de la abertura son diferentes para las instalaciones con un cajón de almacenamiento de accesorios. Asegúrese de usar el recorte correcto al preparar la abertura.

**IMPORTANTE:** este horno no está aprobado para su uso por encima de otro horno Advantium Speedcook incorporado, una instalación de lado a lado o debajo de una encimera.

- Para seguridad personal, este horno no se puede instalar en un gabinete como una isla o península.
- El horno debe instalarse al menos a 36-3 / 4 "sobre el piso.
- Deje espacio para esquinas, paredes, cajones, etc. adyacentes.
- Los gabinetes instalados adyacentes a los hornos de pared deben tener una especificación de adhesión de al menos 194 ° F de temperatura.
- Deje espacio en relación a las esquinas adyacentes, paredes, cajones, etc.
- Las alacenas instaladas al lado de hornos de pared deben tener una especificación de adhesión de potencia de temperatura de por lo menos 194°F.

El horno debe ser instalado de forma segura en un gabinete que esté adherido de manera firme a la estructura de la casa. Cualquier peso sobre la puerta del horno podrá hacer que éste se incline y se produzcan lesiones. Nunca permita que nadie se trepe, siente, pare ni cuelgue de la puerta del horno. Si instalará el accesorio para cajones, el cajón deberá ser ensamblado al horno antes de la instalación en el gabinete. Consulte las Instrucciones de Ensamble del Cajón de Almacenamiento de Accesorios.

## INSTALACIÓN DEL MONTAJE AL RAS (Monogram únicamente)

Este método de instalación permite que la cara de la unidad quede alineada con la cara del gabinete.

**IMPORTANTE: SE REQUIERE UN NIVEL DE HABILIDAD ALTO EN CARPINTERÍA. Se podrán adquirir gabinetes no estándares.**

La instalación al ras del horno hará que se expongan los extremos del marco de la cara del gabinete.

Los ristreles laterales podrán quedar visibles y deberán poseer una superficie acabada.

# Preparación de la Instalación

## REQUISITOS ELÉCTRICOS

### Instalación única de advantium

La calificación del producto es 120/208 o 120/240 voltios, 60 hz, 30 Amperios. Este producto debe estar conectado a un circuito de alimentación con el voltaje y la frecuencia adecuados y estar protegido por un fusible de retardo de tiempo o un disyuntor. La energía se debe suministrar desde un circuito derivado separado de 30 amperios. El tamaño del cable debe cumplir con los requisitos del código eléctrico nacional o el código local vigente.

### Instalación combinada de advantium y horno de pared

Cuando se instale en combinación con un horno de pared simple, use cajas de conexiones eléctricas separadas.

Consulte las instrucciones de instalación del horno individual para conocer los requisitos eléctricos de ese producto.

Estas conexiones deben ser realizadas por un electricista calificado. Todas las conexiones eléctricas deben cumplir con el código eléctrico nacional o los códigos locales vigentes.

### Instalación combinada de cajones advantium y warming

Al instalar el horno advantium sobre un cajón de calentamiento eléctrico, debe instalarse un receptáculo separado con conexión a tierra de 120v, 60hz. Vea las instrucciones incluidas con el cajón calentador.

## ⚠ ADVERTENCIA

- El encendido eléctrico al circuito paralelo deberá estar apagado mientras se realizan las conexiones de línea.
- Use conductores de cobre únicamente.
- Este electrodoméstico requiere que se realice una conexión a tierra. El extremo libre del cable verde (cable a tierra) debe estar conectado a una conexión a tierra adecuada. Este cable debe permanecer conectado a la conexión a tierra del horno.
- Si la tubería de agua fría presenta interrupciones por plásticos, juntas, conexiones de uniones u otros materiales aislantes, NO use la misma como conexión a tierra.
- NO se debe conectar a tierra en una tubería de suministro de gas.

### REQUISITOS ELÉCTRICOS (Cont)

- NO posee un fusible en el circuito neutro o de conexión a tierra. Un fusible en el circuito neutro o de conexión a tierra podría ocasionar una descarga eléctrica.
- Consulte a un electricista calificado o personal del servicio si tiene dudas de que el electrodoméstico se encuentre conectado a tierra apropiadamente.

Si no se siguen estas instrucciones, se podrán producir lesiones graves o la muerte.

## INSTRUCCIONES DE CONEXIÓN A TIERRA

**⚠ ADVERTENCIA** El uso inadecuado del enchufe de conexión a tierra puede provocar un riesgo de descarga eléctrica.

Este electrodoméstico debe estar conectado a un sistema de cableado de metal permanente con conexión a tierra o se debe tender un conducto para la conexión a tierra del equipo con los

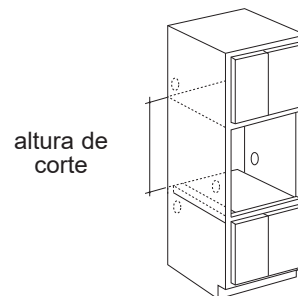
conductores del circuito y conectado al terminal de tierra del equipo o al conductor de suministro del electrodoméstico.

## INSTALAR CAJA DE CONEXIONES

El conducto se encuentra en la parte superior derecha en la parte posterior del horno.

Ubique e instale la caja de conexiones al alcance del conducto del horno.

- A través de los lados izquierdo o derecho de la pared del gabinete y en el gabinete adyacente.
- O bien, a través del piso recortado.
- O bien, en el armario superior.



# Preparación de la Instalación

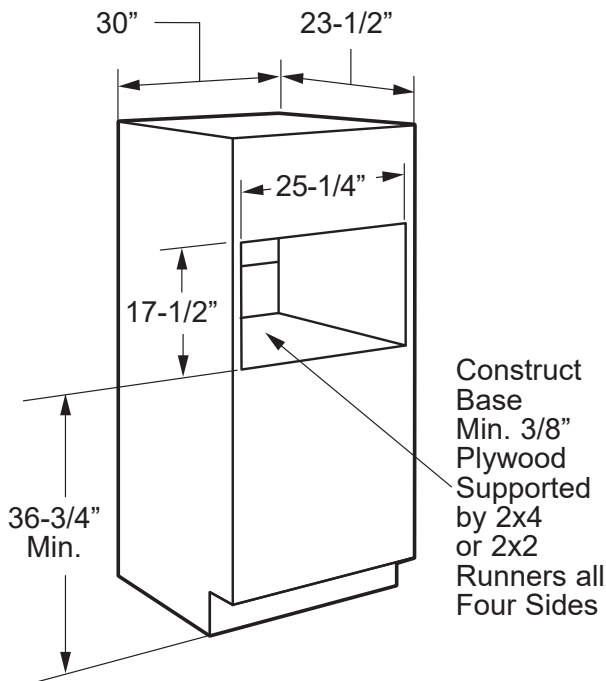
**IMPORTANTE:** Mantenga siempre una altura mínima de 36-3 / 4 " desde el piso hasta el recorte en cualquier instalación individual o combinada.

## PREPARACIÓN DE LA ABERTURA

El Advantium 240V se puede instalar en combinación con otros dispositivos integrados de Monogram. Siga siempre las instrucciones de instalación de cada producto para completar la instalación.

Instalación única de Advantium 240V:

Solicite un gabinete de un horno de 30 "de ancho o corte la abertura en una pared a las dimensiones que se muestran.



Mantenga siempre una altura mínima de 36-3 / 4 " desde el piso hasta el recorte en cualquier instalación individual o combinada.

- Deje un espacio libre de 2-3 / 8 " en los lados y un espacio libre de 1-1 / 8 " en la parte inferior de la abertura para todos los modelos. Deje un espacio de 1 7/8 " en la parte superior.
- Las superposiciones del horno ocultarán los bordes cortados en todos los lados de la abertura.

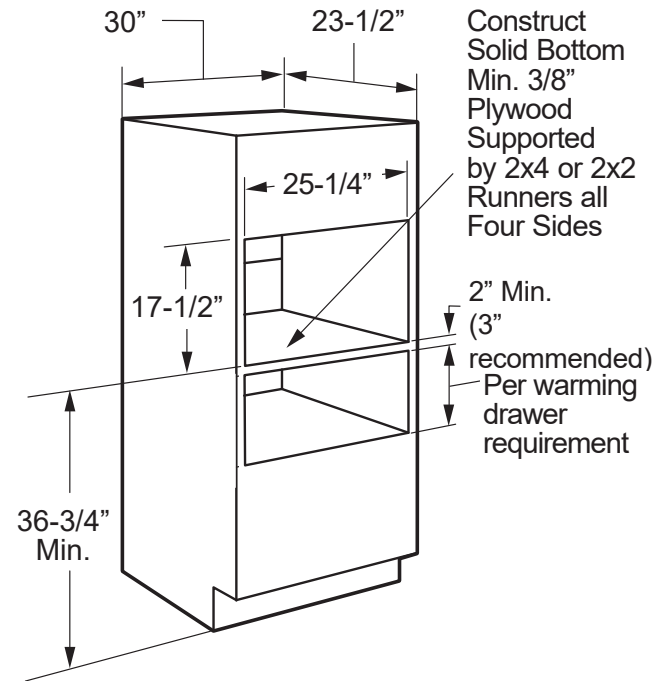
Cuando se instale sobre un solo horno o un cajón calentador, deje al menos 2 " entre las dos aberturas. Esta separación proporcionará espacio libre para la superposición de la parte inferior del Advantium 240V y las otras superposiciones del dispositivo.

Construya un piso de horno sólido de 3/8 " min. madera contrachapada gruesa soportada por 2 x 4 o 2 x 2 corretores en todos los lados.

- El soporte debe estar nivelado y rígidamente montado, al ras con el borde inferior del recorte.

## PREPARACIÓN DE LA ABERTURA (CONT.)

Instalación sobre un Cajón para Calentar:



**NOTA:** Se podrán requerir despejes adicionales entre los recortes. Asegúrese de que los soportes del horno sobre la ubicación del Cajón para Calentar no obstruyan la profundidad y altura internas requeridas. Para más detalles, consulte las instrucciones de instalación del Cajón para Calentar.

# Installation Preparation

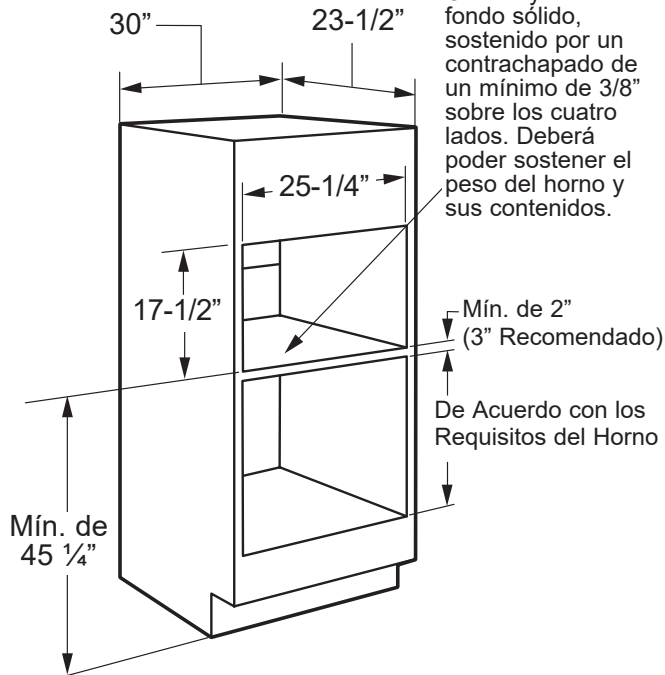
**IMPORTANTE:** Mantenga siempre una altura mínima de 36-3 / 4 " desde el piso hasta el recorte en cualquier instalación individual o combinada.

## PREPARACIÓN DE LA ABERTURA (CONT.)

### Instalación sobre un horno de pared:

\* Si reemplazará un horno eléctrico

Construya un fondo sólido, sostenido por un contrachapado de un mínimo de 3/8" sobre los cuatro lados. Deberá poder sostener el peso del horno y sus contenidos.

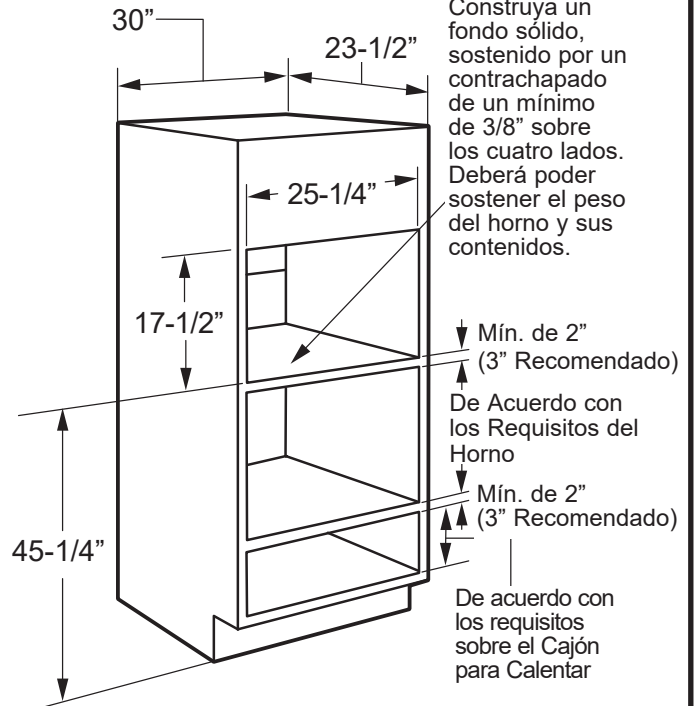


doble por la instalación combinada de un Advantium y un horno simple, use las dimensiones mostradas. Es posible que el riel intermedio que separa las dos aberturas deba ser más largo que el de un mínimo de 2" mostrado.

## PREPARACIÓN DE LA ABERTURA (CONT.)

### Instalación sobre un horno de pared y un cajón calentador:

Construya un fondo sólido, sostenido por un contrachapado de un mínimo de 3/8" sobre los cuatro lados. Deberá poder sostener el peso del horno y sus contenidos.



**NOTA:** Se podrán requerir despejes adicionales entre los recortes. Asegúrese de que los soportes del horno sobre la ubicación del Cajón para Calentar no obstruyan la profundidad y altura internas requeridas. Para más detalles, consulte las instrucciones de instalación del Cajón para Calentar.

**⚠ PRECAUCIÓN** Por seguridad personal, la superficie de montaje debe ser capaz de soportar la carga del gabinete, además del peso adicional del horno y el cajón, además de las cargas adicionales del horno.

# Preparación de la Instalación para el Montaje al Ras (Monogram Únicamente)

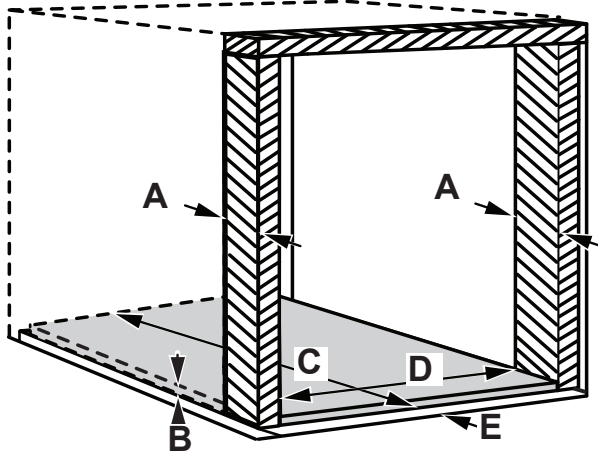
## PREPARE EL INTERIOR

### Corte e instale los ristreles laterales:

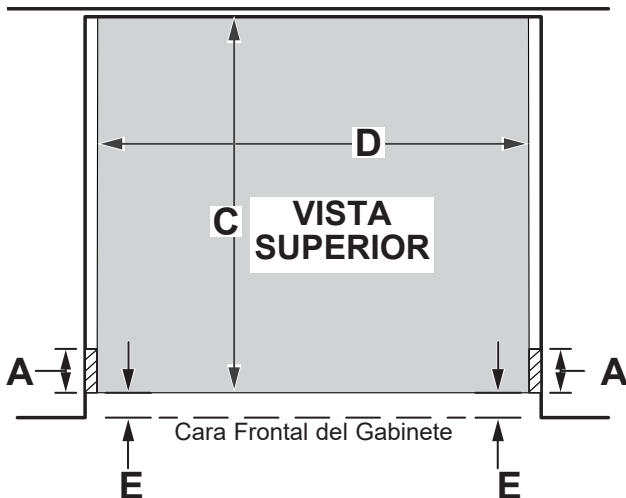
- Corte los ristreles de madera laterales a la altura de la abertura del gabinete y a aproximadamente 2 1/2" de profundidad. Instale, a cada lado, a Dim. E desde la cara frontal del gabinete.

### Corte e instale el ristol inferior:

- Corte el ristol de madera a una altura de 1 1/8", una profundidad del gabinete menos Dim. E y un ancho de 25 1/4" para que coincida entre los ristreles laterales. Instale en el piso del gabinete entre los ristreles laterales, persone el mismo completamente hacia atrás contra la pared del gabinete y asegúrese de que su cara frontal se alinee con las caras frontales de los ristreles laterales (brecha de Dim. E desde la cara frontal del gabinete).



A	Profundidad de tacos laterales y superiores	Mín. de 2 1/2"
B	Altura del ristol inferior	1-1/8"
C	Profundidad del ristol inferior	Profundidad del gabinete menos 1 3/8"
D	Ancho del ristol inferior	25-1/4"
E	Los cuatro tacos de profundidad de inserción	ZSB9231NSS: 1-3/8" ZSB9232NSS: 1-7/16"



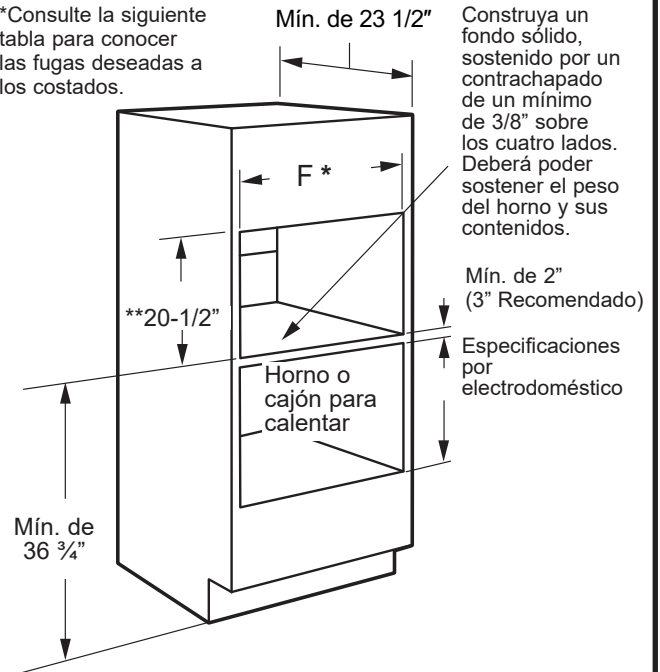
## PREPARACIÓN DE LA ABERTURA

El Advantium puede ser instalado junto con otros electrodomésticos. Siempre siga las instrucciones de instalación de cada producto, a fin de completar la instalación.

### Instalación Simple de Advantium

Corte la abertura en un gabinete siguiendo las

\*Consulte la siguiente tabla para conocer las fugas deseadas a los costados.



Construya un fondo sólido, sostenido por un contrachapado de un mínimo de 3/8" sobre los cuatro lados. Deberá poder sostener el peso del horno y sus contenidos.

Mín. de 2" (3" Recomendado)

Especificaciones por electrodoméstico

dimensiones mostradas.

- El soporte debe estar nivelado y montado de forma rígida, al ras con el extremo inferior de la abertura.

Instalación al Ras Aprobada	Dimensión F	
	Fuga de 1/8"	Fuga de 1/4"
Advantium Simple	30"	30-1/4"
Sobre el Cajón para Calentar	30"	30-1/4"
Sobre el Horno	30"	30-1/4"
Sobre el Horno y el Cajón para Calentar	30"	30-1/4"
Sobre el Horno con Velocidad de Cocción Incorporada	30"	30-1/4"

\*\* Las fugas superior e inferior están configuradas en 1/8".

# Preparación de la Instalación

## Preparación con un cajón de almacenamiento de accesorios

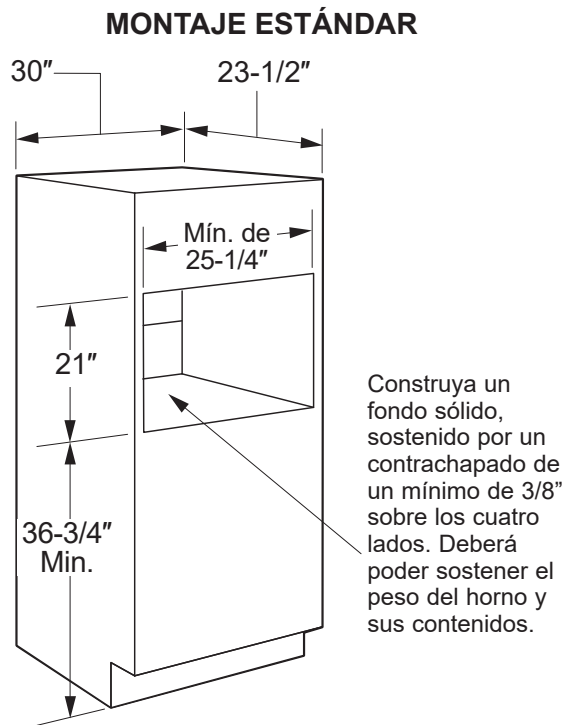
Según sea necesario, consulte la Preparación para la instalación del montaje estándar O la Preparación para la instalación del montaje empotrado para obtener detalles de configuración. Tenga en cuenta la altura de corte modificada a continuación

## PREPARACIÓN DE LA ABERTURA (cont.)

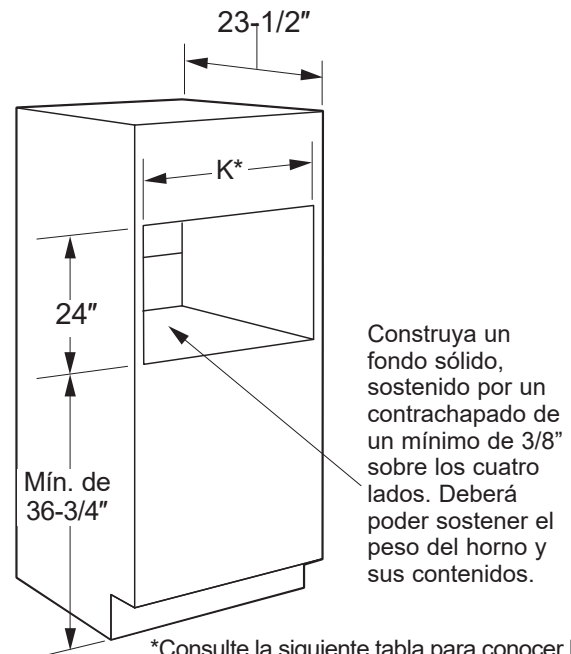
El Advantium puede ser instalado junto con otros electrodomésticos. Siempre siga las instrucciones de instalación de cada producto, a fin de completar la instalación.

### Instalación Simple de Advantium:

Ordene un gabinete para horno simple de 30" de ancho o recorte la abertura en una pared siguiendo las dimensiones mostradas.



### INSTALACIÓN DEL MONTAJE AL RAS (Monogram únicamente)



\*Consulte la siguiente tabla para conocer las fugas deseadas a los costados.

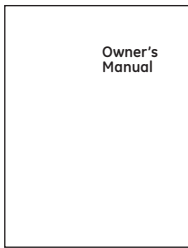
Dimensión	Fuga de 1/8"	Fuga de 1/4"
K	30"	30-1/4"

- Cuando se instala sobre un cajón de almacenamiento, haga que la altura de la cala inferior sea de 3/4 ".
- Deje un espacio libre de 2-3 / 8 " en los lados, un espacio libre de 1-7 / 8 " en la parte superior y un espacio libre de 1-1 / 8 " en la parte inferior de la abertura para todos los modelos.
- Las superposiciones del horno ocultarán los extremos cortantes sobre todos los costados de la abertura.
- Cuando se instale sobre un horno simple o sobre un cajón para calentar, deje por lo menos 2" entre las dos aberturas. Esta separación brindará espacio para la superposición inferior del Advantium y las superposiciones de los demás electrodomésticos.
- El soporte debe estar nivelado y montado de forma rígida, al ras con el extremo inferior de la abertura.

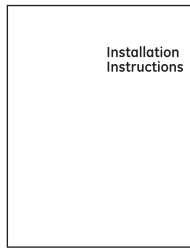
# Instrucciones de Instalación

## 1 RETIRE EL EMBALAJE Y LAS PIEZAS

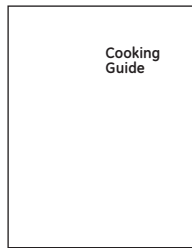
- Retire todo el material de embalaje y la cinta.
- Ubique el paquete de piezas que contiene los tornillos de montaje.
- Retire el horno del cartón. No levante la unidad de la manija ni del conducto. Es necesario que el horno sea levantado por dos personas.
- Abra la puerta y retire cualquier embalaje que haya dentro del horno.



Manual del Propietario



Instrucciones de Instalación



Guía de Cocción



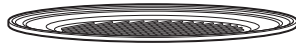
Bandeja de Vidrio



Anillo del Plato Giratorio



Bandejas de Metal



bandeja de parrilla de metal



estante



5 Tornillos del Mismo Color  
(4 requeridos, 1 adicional)



8 Tornillos de Latón para la Moldura Inferior  
(3 requeridos, 5 adicionales)



Tornillos de cabeza plana  
(4 adicionales)



Ajuste inferior

**IMPORTANTE:** Si instalará el Horno Advantium con un cajón de almacenamiento de accesorios, lea las instrucciones de ensamble del cajón de almacenamiento para ensamblar los productos juntos, antes de proceder al paso 2.

# Instrucciones de Instalación

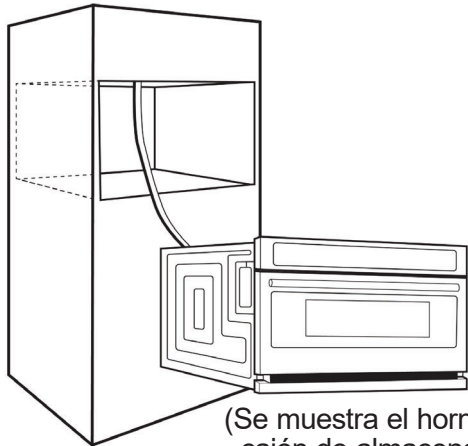
## 2 CONDUCTO DE LA RUTA A TRAVÉS DEL RECORTE

**⚠ PRECAUCIÓN** Se requieren dos personas para levantar el horno en la abertura.

Sujete la parte inferior en la parte delantera y trasera. Deseche la base de espuma. No use la manija ni el conducto para levantar el horno. se producirá daño

Con horno delante de la abertura del armario:

- Inserte el conducto en la abertura del gabinete. Conecte el cableado del horno y el circuito derivado.
- Levante el horno en la abertura mientras continúa alimentando el conducto en la dirección de la caja de conexiones instalada. Asegúrese de que el conducto no quede atrapado entre la parte posterior del horno y la pared del gabinete.
- Deje el horno unos centímetros por delante del marco frontal del gabinete. No empuje la unidad por completo en el corte.



(Se muestra el horno sin el cajón de almacenamiento de accesorios).

### ⚠ ADVERTENCIA

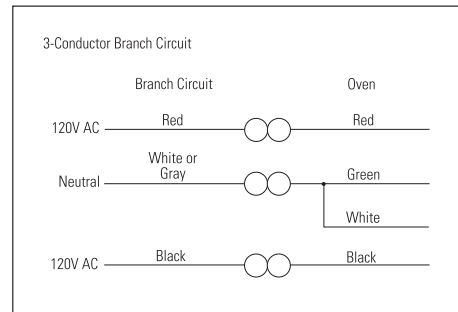
- Desconecte la alimentación de la caja de conexiones antes de realizar la conexión eléctrica.
- Se requiere conexión a tierra eléctrica en este aparato.
- No conecte el suministro eléctrico hasta que el aparato esté conectado a tierra de forma permanente.

## 2 CONDUCTO DE LA RUTA A TRAVÉS DEL RECORTE (CONT.)

Quando se conecta a un circuito derivado de 3 conductores:

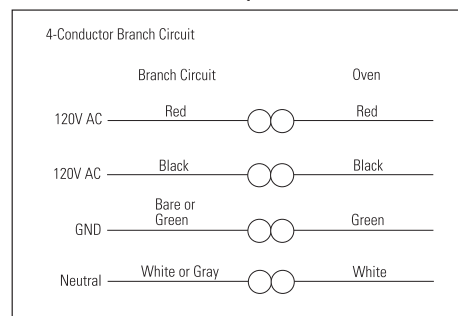
- Conecte el cable rojo del horno al cable rojo del circuito derivado.
- Conecte el cable negro del horno al cable negro del circuito derivado.
- Conecte el cable de tierra verde del horno y el cable blanco.

Para derivar circuito neutro (blanco o gris).



Quando se conecta a un circuito derivado de 4 conductores:

- Conecte el cable rojo del horno al cable rojo del circuito derivado.
- Conecte el cable negro del horno al cable negro del circuito derivado.
- Interrumpa la conexión entre el cable blanco del horno y el cable de tierra verde del horno.
- Conecte el cable blanco del horno al cable neutro del circuito derivado (blanco o gris).
- Conecte el cable de tierra verde del horno al cable de tierra del circuito derivado (verde o cobre desnudo).



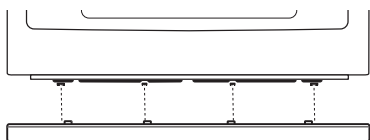


# Instrucciones de Instalación

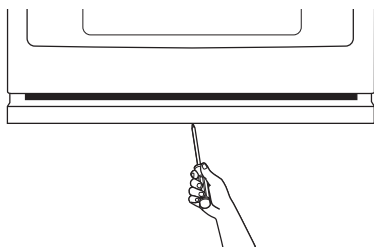
## 3 INSTALE LA MOLDURA INFERIOR

**NOTA:** Si instala el horno Advantium 240 con un cajón de almacenamiento de accesorios, no se requiere el adorno inferior. Continúe con el paso 4.

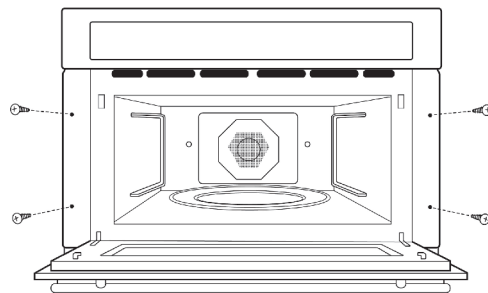
- Alinee las lengüetas del borde inferior con las ranuras en la parte inferior del horno.



- Asegure la moldura inferior a la parte inferior del horno utilizando 3 tornillos de latón proporcionados



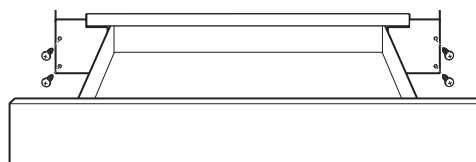
## 4 INSTALACIÓN DE LOS TORNILLOS DE MONTAJE



- Deslice el horno por el resto del recorrido hasta la abertura, de modo que las pestañas laterales y el panel de control queden contra la estructura del gabinete. Asegúrese de que el horno quede centrado en la abertura.
- Abra la puerta, coloque una bandeja giratoria en el horno y asegúrese de que la misma quede nivelada en la unidad.
- Haga agujeros piloto a través de las pestañas laterales.
- Coloque los tornillos del mismo color en las pestañas laterales. Se recomienda que los tornillos sean ajustados de forma manual.

**Si instalará el horno con un cajón de almacenamiento de accesorios:**

- Abra el cajón.
- Haga agujeros piloto a través de las pestañas laterales.
- Coloque los tornillos del mismo color en las pestañas laterales. Se recomienda que los tornillos sean ajustados de forma manual.



## 5 FINALIZACIÓN DE LA INSTALACIÓN

- Presione el encendido. La luz interna se deberá encender cuando la puerta se abra.
- Para acceder a instrucciones de uso, consulte el Manual del Propietario.

# Notas

---

# Notas

---

**31-700080 Rev.0**

08-19 GEA

Printed in China

