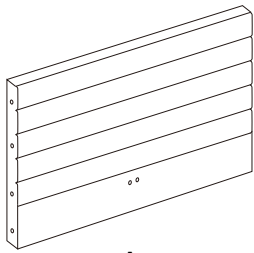


FRANK UPHOLSTERED WING BED FULL/QUEEN ASSEMBLY INSTRUCTIONS



BOX#1

- A. HEADBOARD PANEL 1 PC
- B. LEFT HEADBOARD WING 1 PC
- C. RIGHT HEADBOARD WING 1 PC



A



B



C

HARDWARE KIT PACKED IN BOX #1

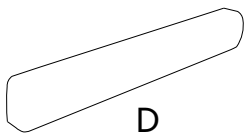
1	ALLEN BOLT(5/16"x1-3/4")		8 PCS
2	FLAT WASHER(3/4")		8 PCS
3	LOCK WASHER(5/16")		8 PCS
4	ALLEN KEY(5/16")		1 PC

HARDWARE KIT PACKED IN BOX #2

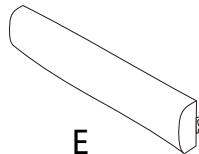
1	ALLEN BOLT(5/16"x1-1/4")		4 PCS
2	ALLEN BOLT(5/16"x2-1/2")		2 PCS
3	FLAT WASHER(3/4")		6 PCS
4	LOCK WASHER(5/16")		6 PCS
5	ALLEN KEY(5/16")		1 PC

BOX#2

- D. FOOTBOARD 1 PC
- E. SIDE RAIL 2 PCS
- F. SLAT 26 PCS
- G. CENTER SLAT SUPPORT 1 PC
- H. SIDE RAIL SLAT CLIP 26 PCS
- I. CENTER SUPPORT SLAT CLIP 13 PCS
- J. SLAT SUPPORT LEG 2 PCS



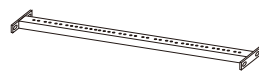
D



E



F



G



H

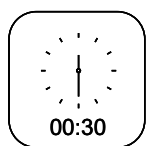
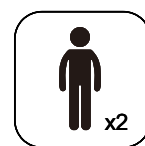
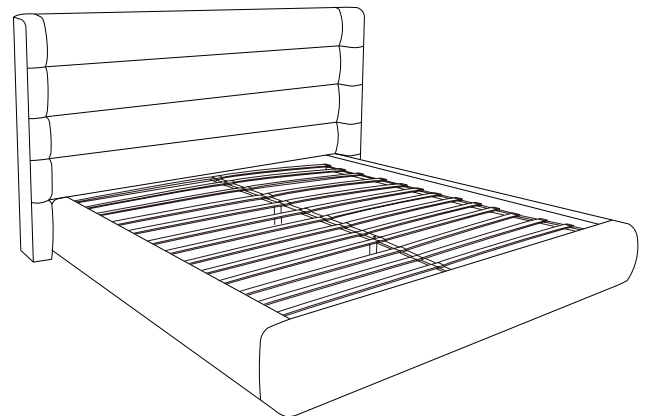


I



J

FULLY ASSEMBLED

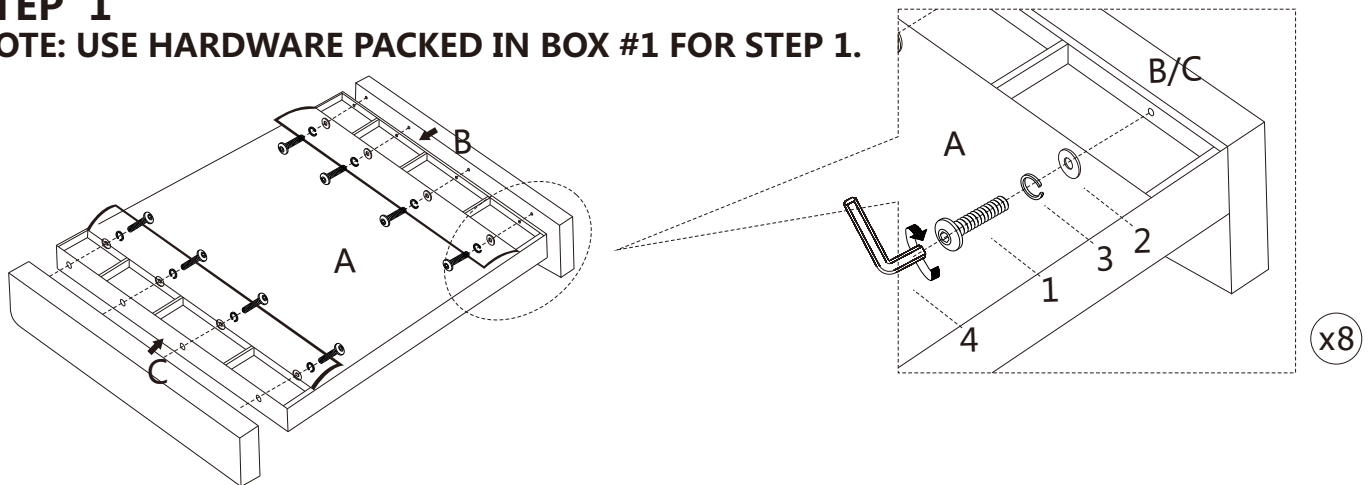


FRANK UPHOLSTERED WING BED FULL/QUEEN ASSEMBLY INSTRUCTIONS



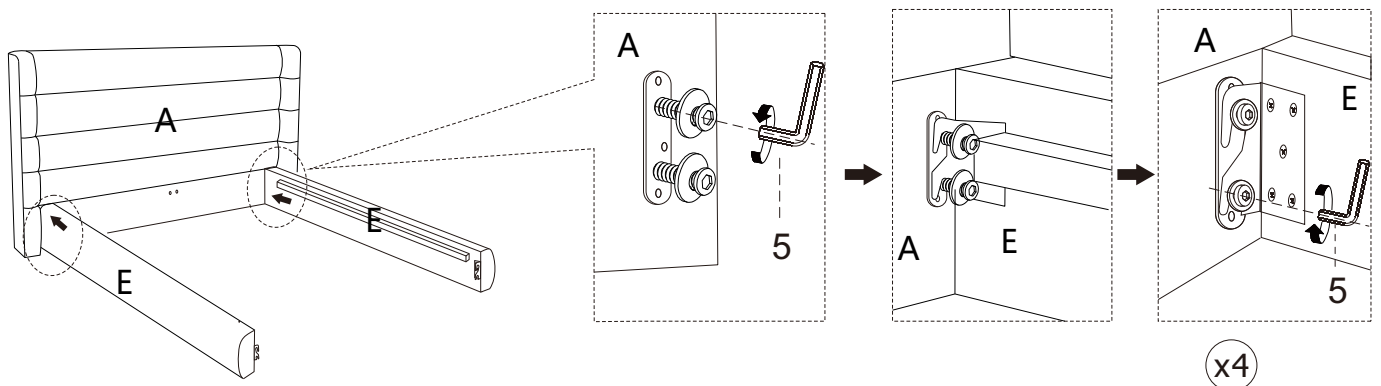
STEP 1

NOTE: USE HARDWARE PACKED IN BOX #1 FOR STEP 1.

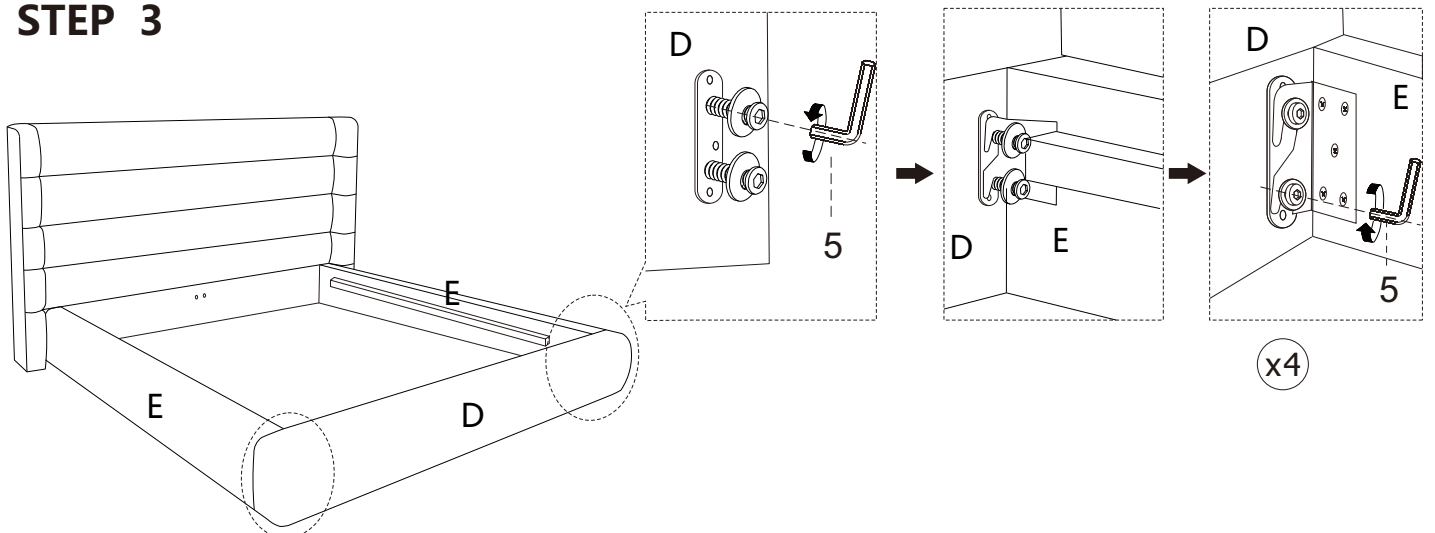


STEP 2

NOTE: USE HARDWARE PACKED IN BOX #2 FOR STEP 2 AND ALL STEPS THAT FOLLOW.



STEP 3



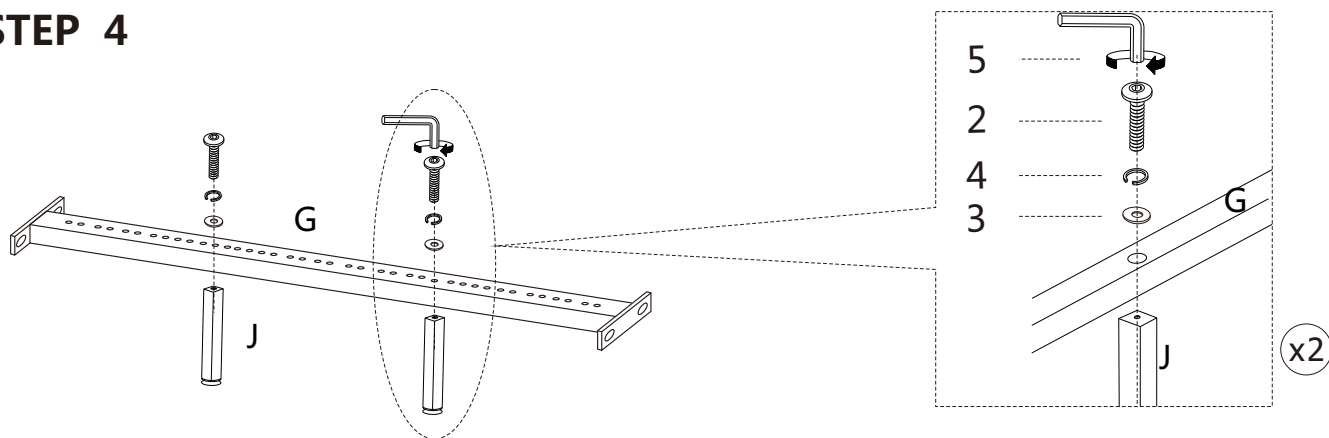
STOP

- IF USING BED WITH AN ADJUSTABLE MATTRESS BASE, SKIP STEPS 4, 5, 6, & 7 AND REFERENCE APPENDIX A: ADJUSTABLE MATTRESS BASE ASSEMBLY SUPPLEMENT. IF USING BED FRAME WITH STANDARD BOX SPRING OR FOUNDATION, CONTINUE TO STEP 4.

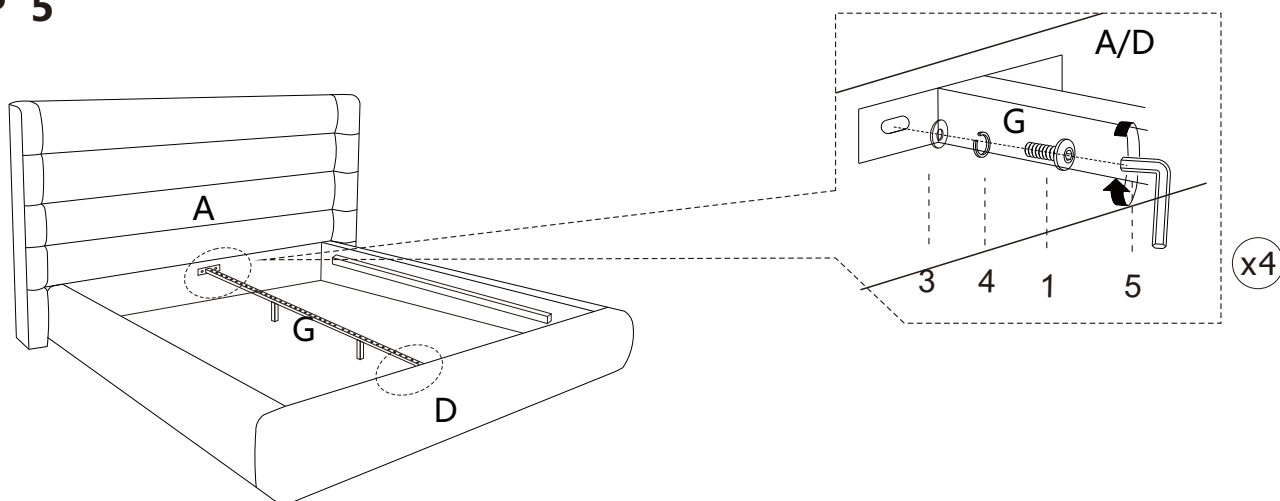
FRANK UPHOLSTERED WING BED FULL/QUEEN ASSEMBLY INSTRUCTIONS



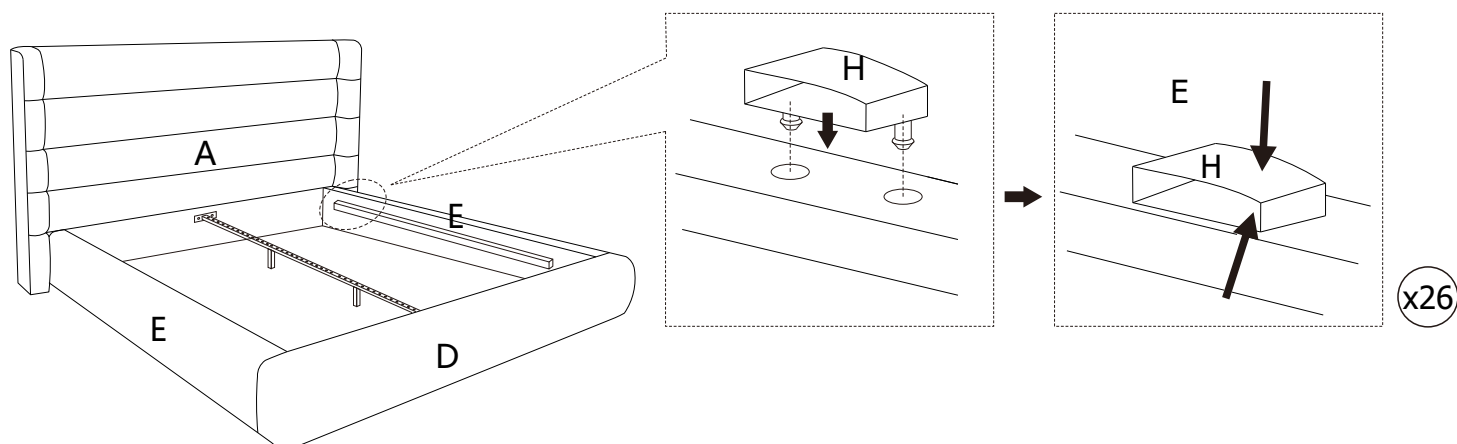
STEP 4



STEP 5



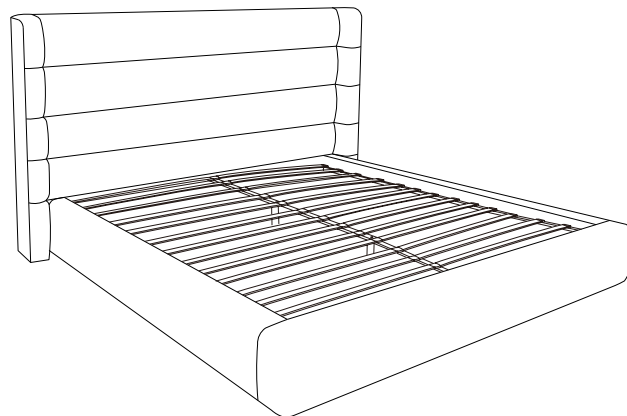
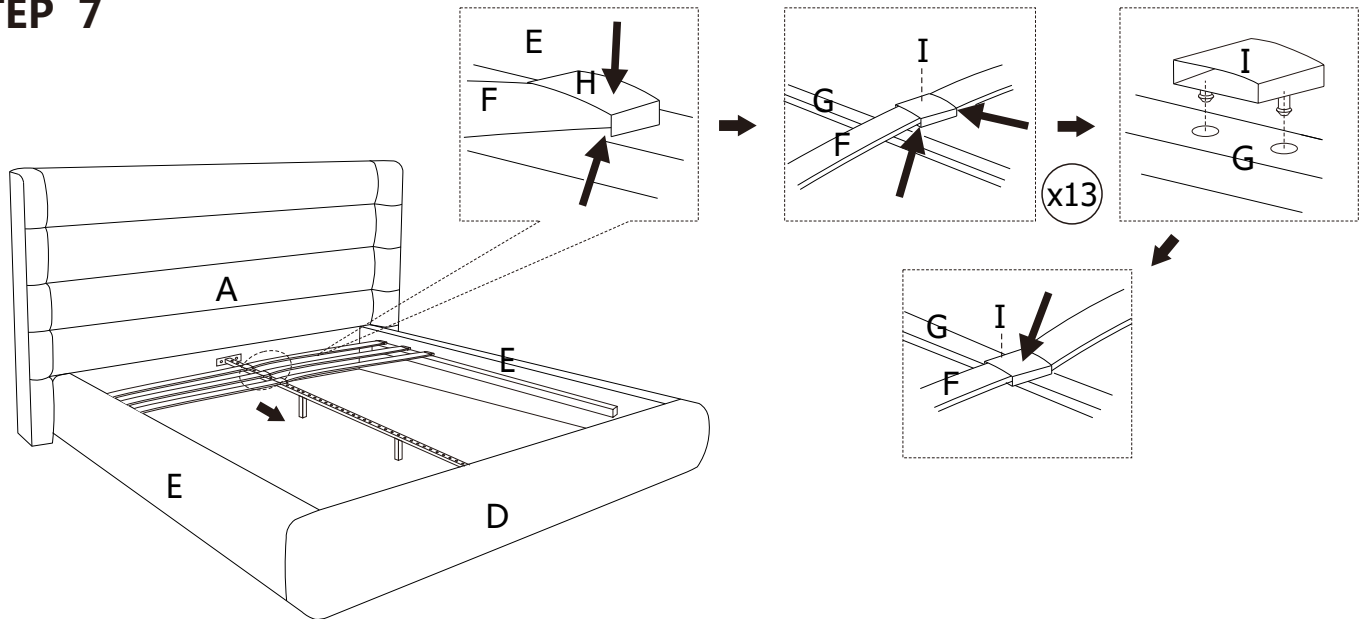
STEP 6: STARTING FROM HEADBOARD



FRANK UPHOLSTERED WING BED FULL/QUEEN ASSEMBLY INSTRUCTIONS



STEP 7



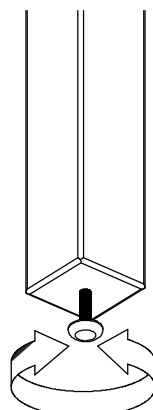
ASSEMBLY COMPLETE.

INSTRUCTIONS FOR ADJUSTING LEVELERS:

POSITION THE BED IN YOUR ROOM.
LOCATE LEVELERS UNDER EACH
SUPPORT LEG (J).

TURN COUNTER-CLOCKWISE TO
EXTEND, CLOCKWISE TO RETRACT.

ADJUST LEVELERS UNTIL EACH LEG
SUPPORT IS APPLYING EQUAL UPWARD
PRESSURE ON THE CENTER SLAT.



MAINTENANCE INSTRUCTIONS:

- PERIODICALLY CHECK ALL FITTINGS AND TIGHTEN IF NECESSARY, AS THEY CAN LOOSEN OVER TIME.
- ALWAYS REMOVE BOX SPRING AND MATTRESS BEFORE MOVING THE BED.
- LIFT THE BED WHEN MOVING IT. DRAGGING THE BED CAN DAMAGE THE CENTER SUPPORT.
- READJUST LEVELERS AFTER MOVING THE BED.

FRANK UPHOLSTERED WING BED FULL/QUEEN ASSEMBLY INSTRUCTIONS



APPENDIX A:ADJUSTABLE MATTRESS BASE ASSEMBLY SUPPLEMENT

AN ADJUSTABLE MATTRESS BASE IS A FREESTANDING MATTRESS SUPPORT THAT SITS WITHIN THE PERIMETER OF THE BED FRAME.

IF USING THIS BED FRAME WITH A STANDARD BOX SPRING OR FOUNDATION THESE INSTRUCTIONS DO NOT APPLY.

PRE-ASSEMBLED SIDE RAIL CLEATS OBSTRUCT ADJUSTABLE BASE INSTALLATION AND OPERATION. FOLLOW THESE INSTRUCTIONS TO REMOVE THEM.

WARNING!

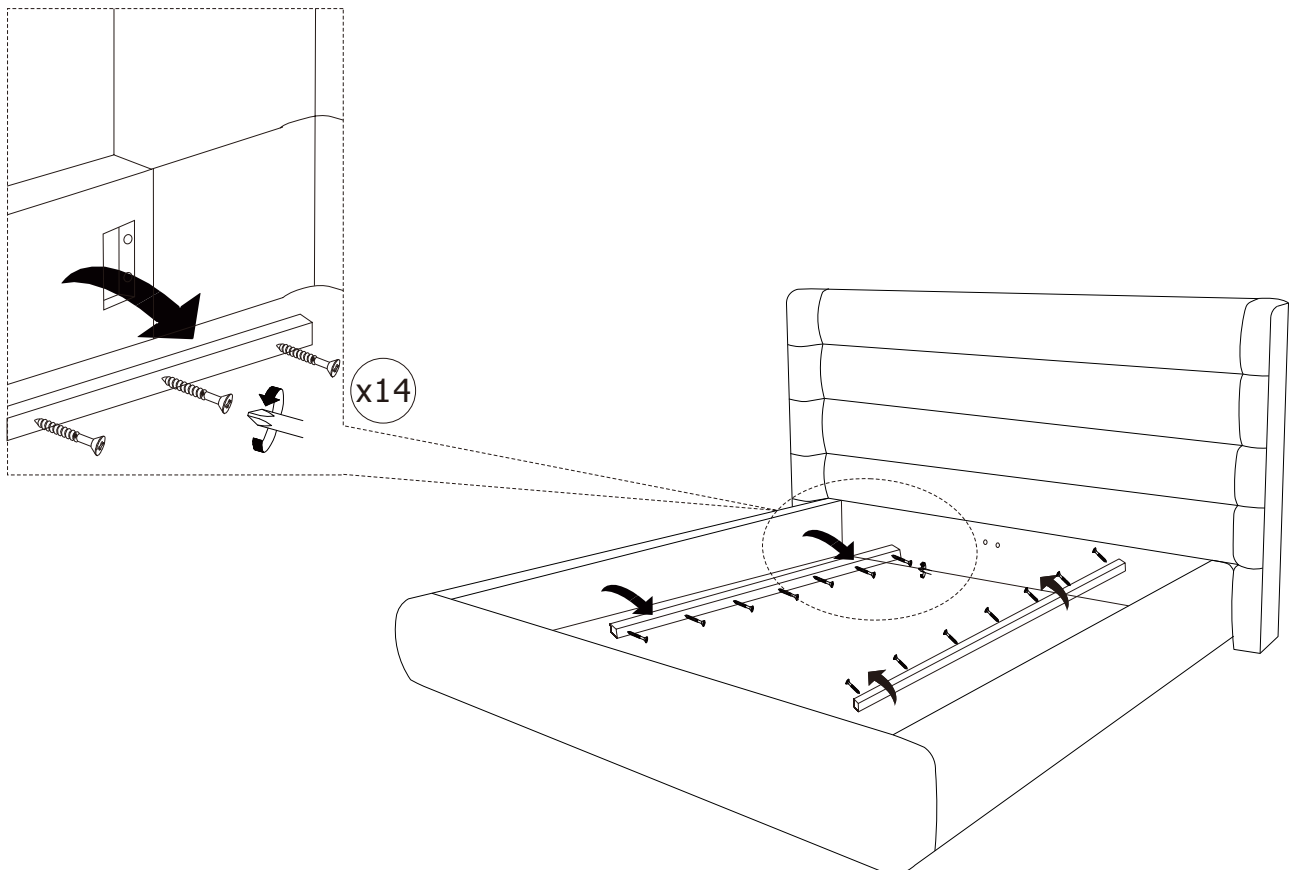
SIDE RAIL CLEATS ARE HELD IN PLACE USING PHILLIPS HEAD SCREWS. ONCE THEY ARE REMOVED THE USER WILL NOT BE ABLE TO SAFELY RE-INSTALL THE SIDE RAIL CLEATS FOR FUTURE USE WITH A STANDARD BOX SPRING OR FOUNDATION.

THE FOLLOWING PARTS ARE NOT REQUIRED FOR ADJUSTABLE MATTRESS BASE INSTALLATION:

F. SLAT	26 PCS
G. CENTER SLAT SUPPORT	1 PC
H. SIDE RAIL SLAT CLIP	26 PCS
I. CENTER SUPPORT SLAT CLIP	13 PCS
J. SLAT SUPPORT LEG	2 PCS

STEP 1 :

USE A PHILLIPS HEAD SCREWDRIVER (NOT PROVIDED) TO UNSCREW THE PHILLIPS SCREWS AND REMOVE THE PRE-ASSEMBLED SIDE RAIL CLEATS.

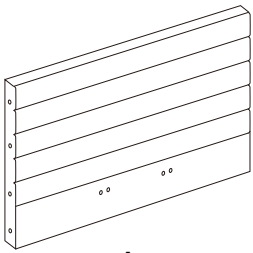


FRANK UPHOLSTERED WING BED C.KING/E.KING ASSEMBLY INSTRUCTIONS



BOX#1

- A. HEADBOARD PANEL 1 PC
- B. LEFT HEADBOARD WING 1 PC
- C. RIGHT HEADBOARD WING 1 PC



A



B



C

HARDWARE KIT PACKED IN BOX #1

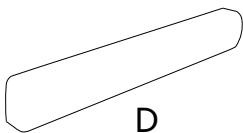
1	ALLEN BOLT(5/16"x1-3/4")		8 PCS
2	FLAT WASHER(3/4")		8 PCS
3	LOCK WASHER(5/16")		8 PCS
4	ALLEN KEY(5/16")		1 PC

HARDWARE KIT PACKED IN BOX #2

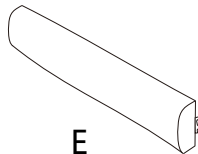
1	ALLEN BOLT(5/16"x1-1/4")		8 PCS
2	ALLEN BOLT(5/16"x2-1/2")		4 PCS
3	FLAT WASHER(3/4")		12 PCS
4	LOCK WASHER(5/16")		12 PCS
5	ALLEN KEY(5/16")		1 PC

BOX#2

- D. FOOTBOARD 1 PC
- E. SIDE RAIL 2 PCS
- F. SLAT 39 PCS
- G. CENTER SLAT SUPPORT 2 PCS
- H. SIDE RAIL SLAT CLIP 26 PCS
- I. CENTER SUPPORT SLAT CLIP 26 PCS
- J. SLAT SUPPORT LEG 4 PCS



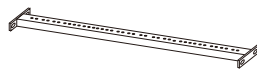
D



E



F



G



H

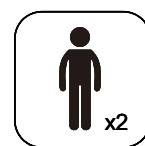
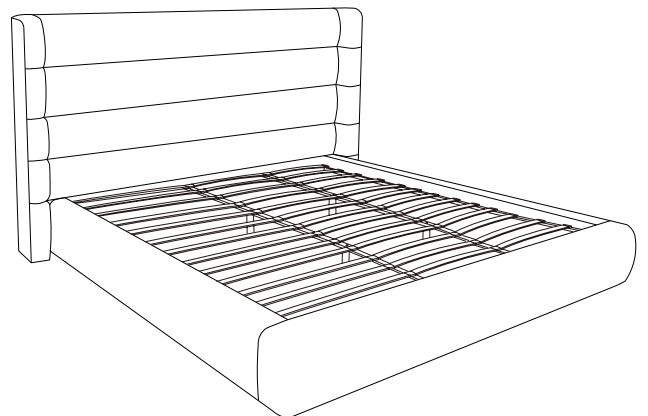


I



J

FULLY ASSEMBLED

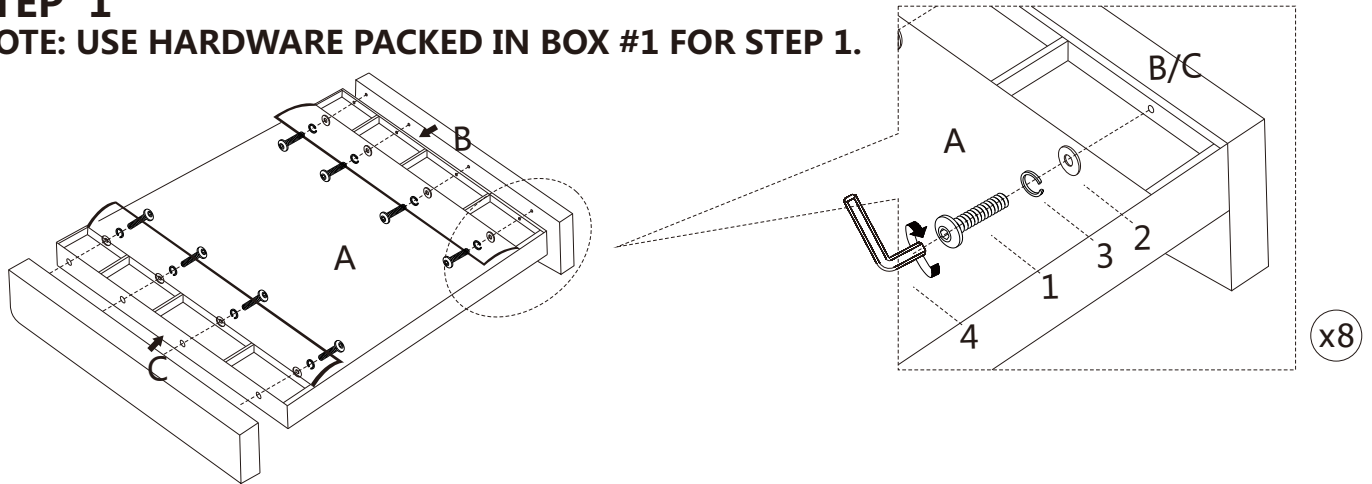


FRANK UPHOLSTERED WING BED C.KING/E.KING ASSEMBLY INSTRUCTIONS



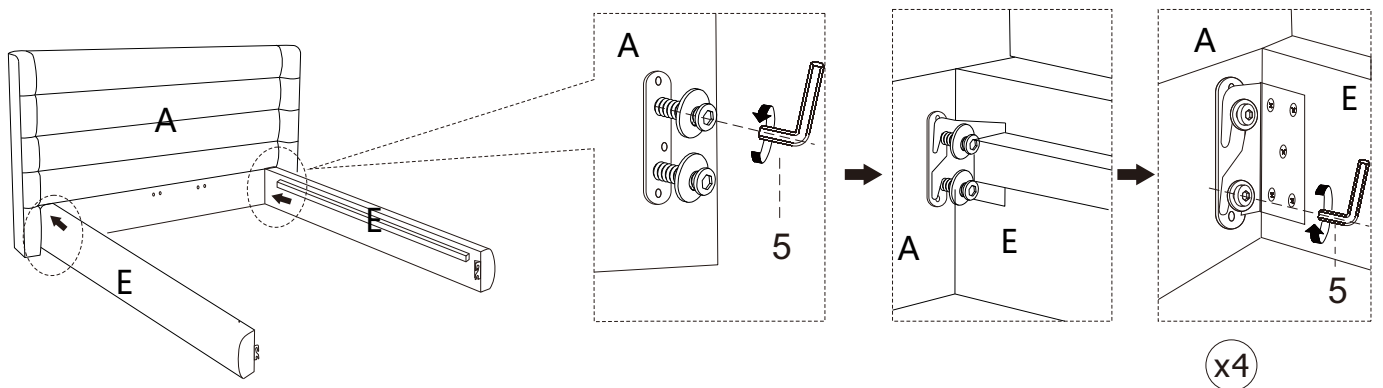
STEP 1

NOTE: USE HARDWARE PACKED IN BOX #1 FOR STEP 1.

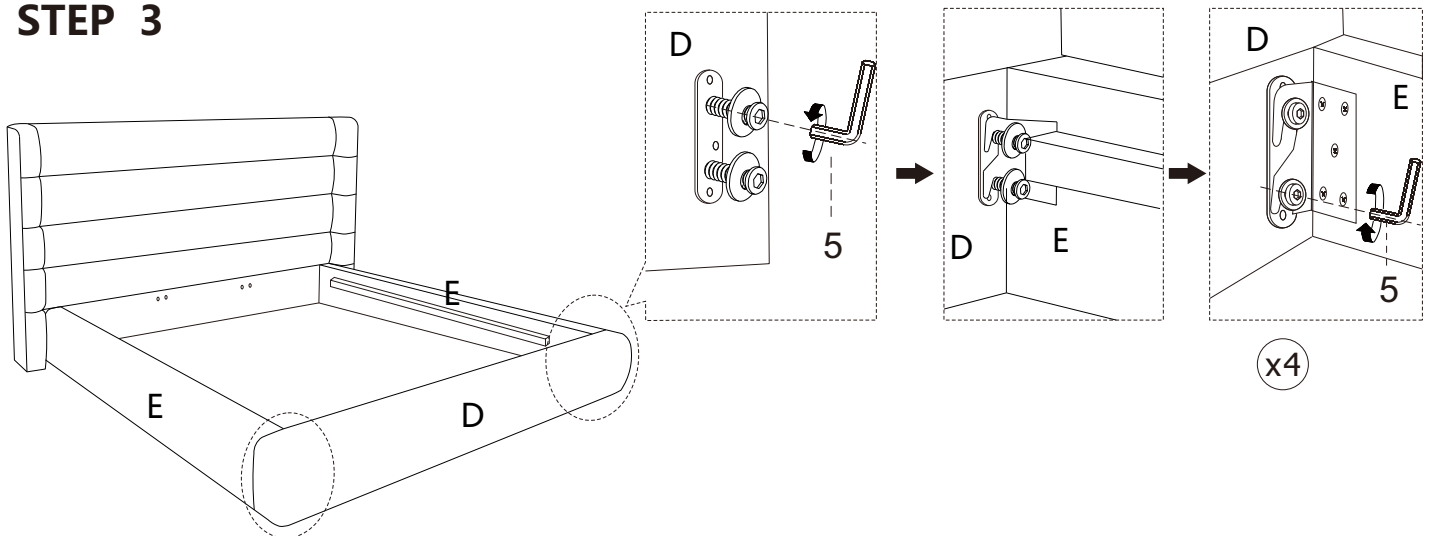


STEP 2

NOTE: USE HARDWARE PACKED IN BOX #2 FOR STEP 2 AND ALL STEPS THAT FOLLOW.



STEP 3



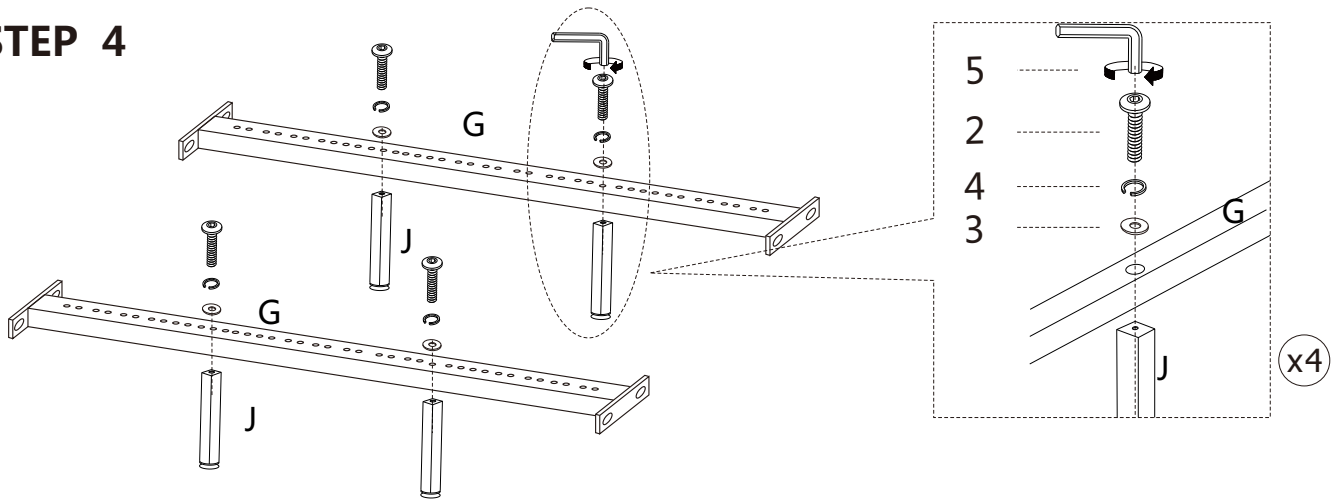
STOP

- IF USING BED WITH AN ADJUSTABLE MATTRESS BASE, SKIP STEPS 4, 5, 6, & 7 AND REFERENCE APPENDIX A: ADJUSTABLE MATTRESS BASE ASSEMBLY SUPPLEMENT. IF USING BED FRAME WITH STANDARD BOX SPRING OR FOUNDATION, CONTINUE TO STEP 4.

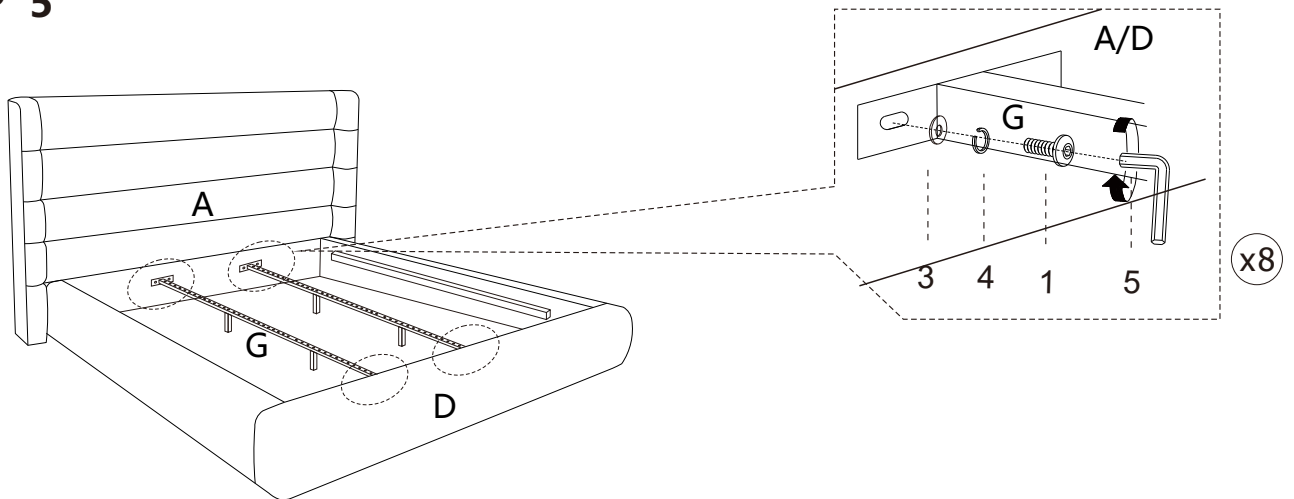
FRANK UPHOLSTERED WING BED C.KING/E.KING ASSEMBLY INSTRUCTIONS



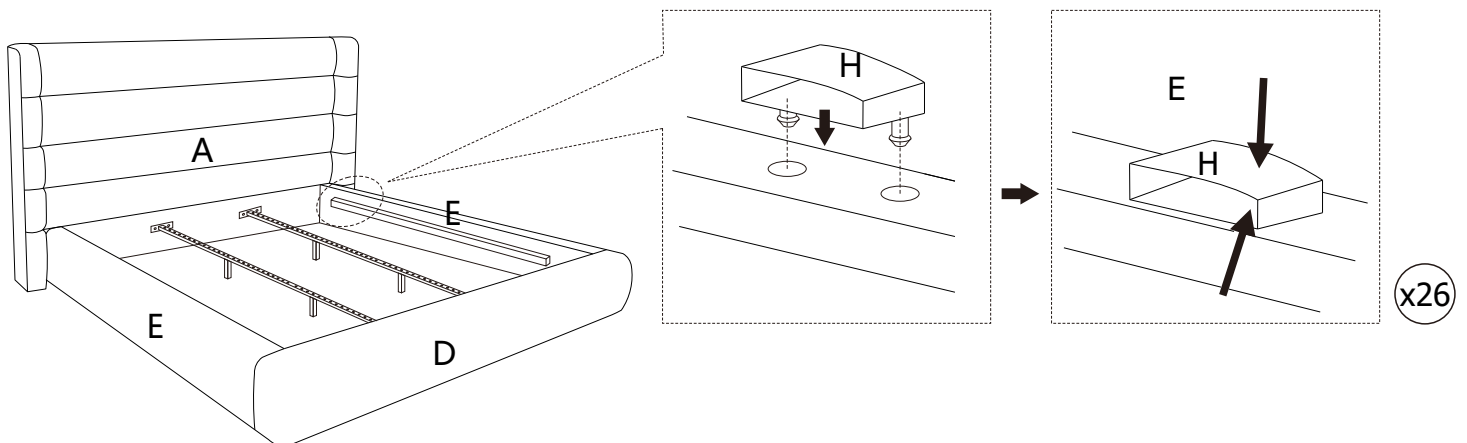
STEP 4



STEP 5



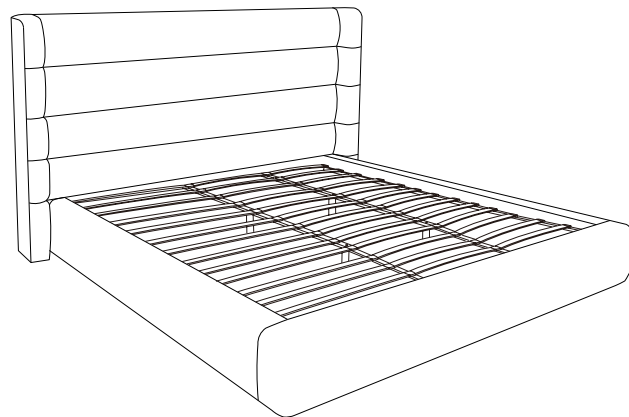
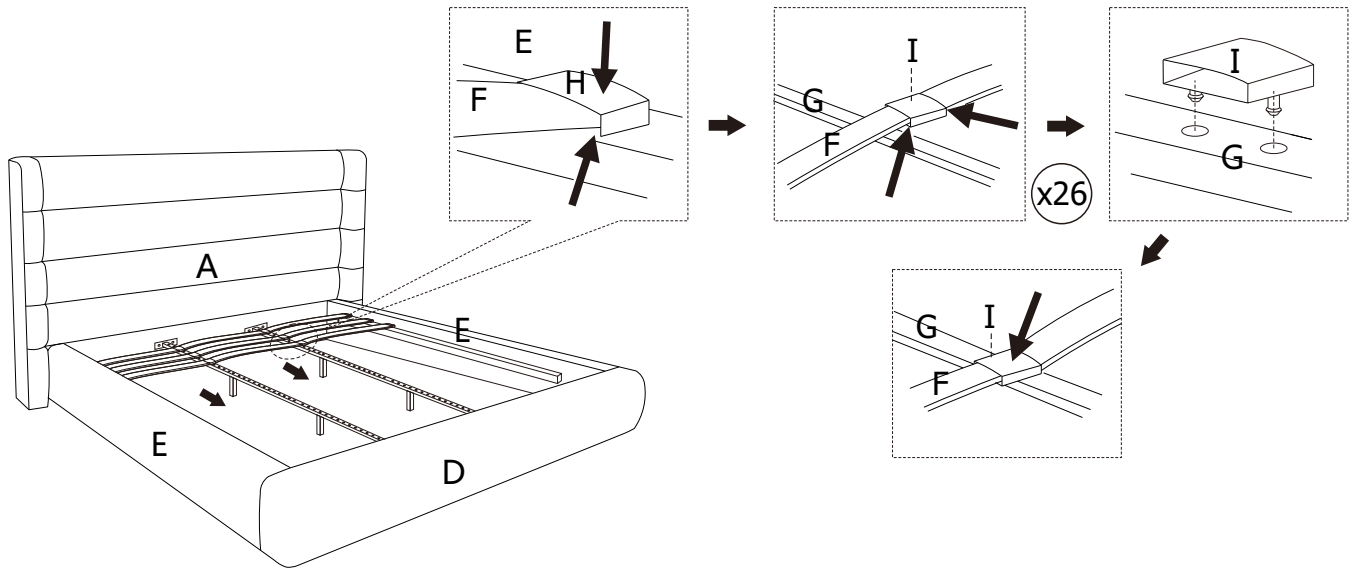
STEP 6: STARTING FROM HEADBOARD



FRANK UPHOLSTERED WING BED C.KING/E.KING ASSEMBLY INSTRUCTIONS



STEP 7



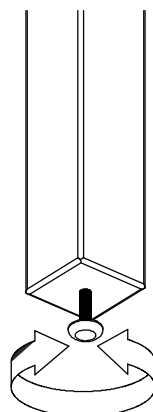
ASSEMBLY COMPLETE.

INSTRUCTIONS FOR ADJUSTING LEVELERS:

POSITION THE BED IN YOUR ROOM.
LOCATE LEVELERS UNDER EACH
SUPPORT LEG (J).

TURN COUNTER-CLOCKWISE TO
EXTEND, CLOCKWISE TO RETRACT.

ADJUST LEVELERS UNTIL EACH LEG
SUPPORT IS APPLYING EQUAL UPWARD
PRESSURE ON THE CENTER SLAT.



MAINTENANCE INSTRUCTIONS:

- PERIODICALLY CHECK ALL FITTINGS AND TIGHTEN IF NECESSARY, AS THEY CAN LOOSEN OVER TIME.
- ALWAYS REMOVE BOX SPRING AND MATTRESS BEFORE MOVING THE BED.
- LIFT THE BED WHEN MOVING IT. DRAGGING THE BED CAN DAMAGE THE CENTER SUPPORT.
- READJUST LEVELERS AFTER MOVING THE BED.

FRANK UPHOLSTERED WING BED C.KING/E.KING ASSEMBLY INSTRUCTIONS



APPENDIX A:ADJUSTABLE MATTRESS BASE ASSEMBLY SUPPLEMENT

AN ADJUSTABLE MATTRESS BASE IS A FREESTANDING MATTRESS SUPPORT THAT SITS WITHIN THE PERIMETER OF THE BED FRAME.

IF USING THIS BED FRAME WITH A STANDARD BOX SPRING OR FOUNDATION THESE INSTRUCTIONS DO NOT APPLY.

PRE-ASSEMBLED SIDE RAIL CLEATS OBSTRUCT ADJUSTABLE BASE INSTALLATION AND OPERATION. FOLLOW THESE INSTRUCTIONS TO REMOVE THEM.

WARNING!

SIDE RAIL CLEATS ARE HELD IN PLACE USING PHILLIPS HEAD SCREWS. ONCE THEY ARE REMOVED THE USER WILL NOT BE ABLE TO SAFELY RE-INSTALL THE SIDE RAIL CLEATS FOR FUTURE USE WITH A STANDARD BOX SPRING OR FOUNDATION.

THE FOLLOWING PARTS ARE NOT REQUIRED FOR ADJUSTABLE MATTRESS BASE INSTALLATION:

F. SLAT	39 PCS
G. CENTER SLAT SUPPORT	2 PCS
H. SIDE RAIL SLAT CLIP	26 PCS
I. CENTER SUPPORT SLAT CLIP	26 PCS
J. SLAT SUPPORT LEG	4 PCS

STEP 1 :

USE A PHILLIPS HEAD SCREWDRIVER (NOT PROVIDED) TO UNSCREW THE PHILLIPS SCREWS AND REMOVE THE PRE-ASSEMBLED SIDE RAIL CLEATS.

