

# Integrated French Door Refrigerator Freezer, 36", Ice

Series 7 | integrated

Panel Ready

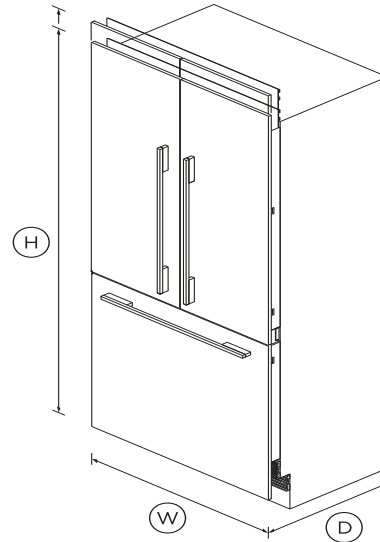


This large capacity refrigerator with bottom freezer seamlessly integrates into your kitchen, fitting flush into your cabinetry.

- ActiveSmart™ technology helps keep food fresher for longer by constantly maintaining the ideal temperature
- Customize with your own kitchen cabinetry or purchase our stainless steel door panel accessory
- Spacious bottom freezer with full extension drawer gives easy access to frozen goods
- Can be fitted for a height of 80 or 84 inches

## DIMENSIONS

Height	79 <sup>27</sup> / <sub>32</sub> "
Width	35 <sup>21</sup> / <sub>32</sub> "
Depth	23 <sup>3</sup> / <sub>4</sub> "



## FEATURES & BENEFITS

### ActiveSmart™ Foodcare

ActiveSmart™ Foodcare learns how you live. It's technology which understands how you use your fridge and adjusts temperature, airflow and humidity inside to help keep food fresher for longer.

### Easy installation

Our integrated products are easy to install, whether you are renovating your kitchen or designing a new one. Our refrigerators are designed for minimal gaps with adjustable front

and rear feet to allow for uneven floors alongside adjustable door panels that can be customized to match your kitchen.

### Design quality

Our refrigerators are designed and built using quality materials. We use real stainless steel on our refrigerators and solid glass for shelving.

### Ice maker

Fresh ice is always available for you in a dedicated freezer bin. Simply turn it off to free up freezer space or during busy times, you can boost ice production by up to 30%.

### Easy cleaning

No more permanent dirty marks with our EZKleen feature for stainless steel refrigerators. Anti-fingerprint coating means you simply wipe clean any marks. Spill-safe secure glass shelves easily capture any drips or leaks.

### Simple storage

This refrigerator is designed to make it simple for you to store, access and remove food. Storage bins give you full access inside when they're pulled open and can be easily removed to clean. Our flexible shelving also gives you more storage options.

### Humidity control

Your fruit and veges need different environments. The humidity control slides in each storage bin create a microclimate that helps keep food fresher for longer.

## SPECIFICATIONS

### Accessories

Contemporary round handle kit	Part No. 25374 (sold
Contemporary square handle	Part No. 24624
Matching Replacement Water	Part No. 842802

### Capacity

Freezer	5.1cu ft
---------	----------

Refrigerator **11.7cu ft**

**Freezer features**

- Bottle chill •
- Built-in ice maker •
- Fast freeze •
- Large plastic bin •
- Small plastic bins **1**

**Performance**

- ActiveSmart™ Foodcare •
- ActiveSmart™ technology •
- Adaptive defrost •
- Frost free freezer •
- Humidity control system •
- Sabbath mode •

**Product dimensions**

Depth **23 <sup>3</sup>/<sub>4</sub> "**  
 Height **79 <sup>27</sup>/<sub>32</sub> "**  
 Width **35 <sup>21</sup>/<sub>32</sub> "**

**Refrigerator features**

- Adjustable door shelves **6**
- Adjustable glass shelves **3**
- Covered door shelves **2**
- Deli storage bins **1**
- Door alarm •
- Fruit and vegetable bins **2**

- LED lighting •
- SmartTouch control panel •
- Soft close doors •
- Stackable bottle holders **4**





**Warranty**

- Parts and labor **2 years**
- Sealed system parts only **5 years**

SKU **25074**

The product dimensions and specifications in this page apply to the specific product and model. Under our policy of continuous improvement, these dimensions and specifications may change at any time. You should therefore check with Fisher & Paykel's Customer Care Centre to ensure this page correctly describes the model currently available. © Fisher & Paykel Appliances Ltd 2019.

**Other product downloads available at fisherpaykel.com**

-  [User Guide](#)
-  [Service & Warranty Booklet](#)
-  [Installation Guide](#)
-  [Resources \(zip\)](#)



**A PEACE OF MIND SALE**

**24 Hours 7 Days a Week Customer Support**

**T 1300 650 590 W www.fisherpaykel.com**