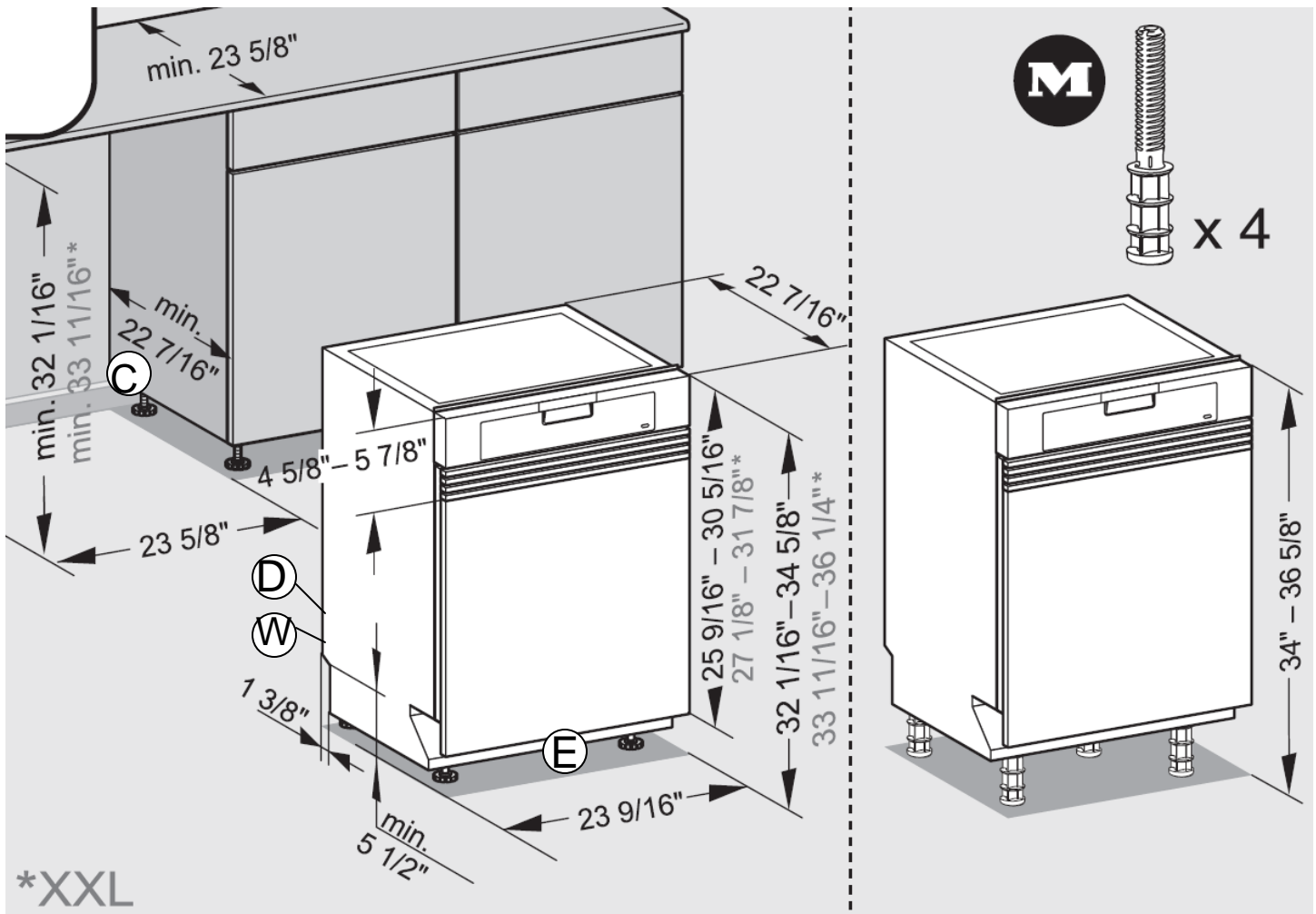


Product and Cut-out Dimensions G4205 & G5XX5 Integrated Series Dishwashers



*XXL

Location Codes

- C - Cutout (1 3/8" x 1 3/4") for water, drain and electric pass-through. Adjust according to water and drain location.
- D - 5 foot flexible drain hose connects lower center rear.
- E - 5 foot - 120 Volt - 15 Amp 3-wire molded plug power supply connects front terminal or can be hardwired.
- W - 5 foot flexible water intake hose with a 3/8" compression fitting nut connects lower center rear.

Notes

- All installations must be done in accordance with local codes

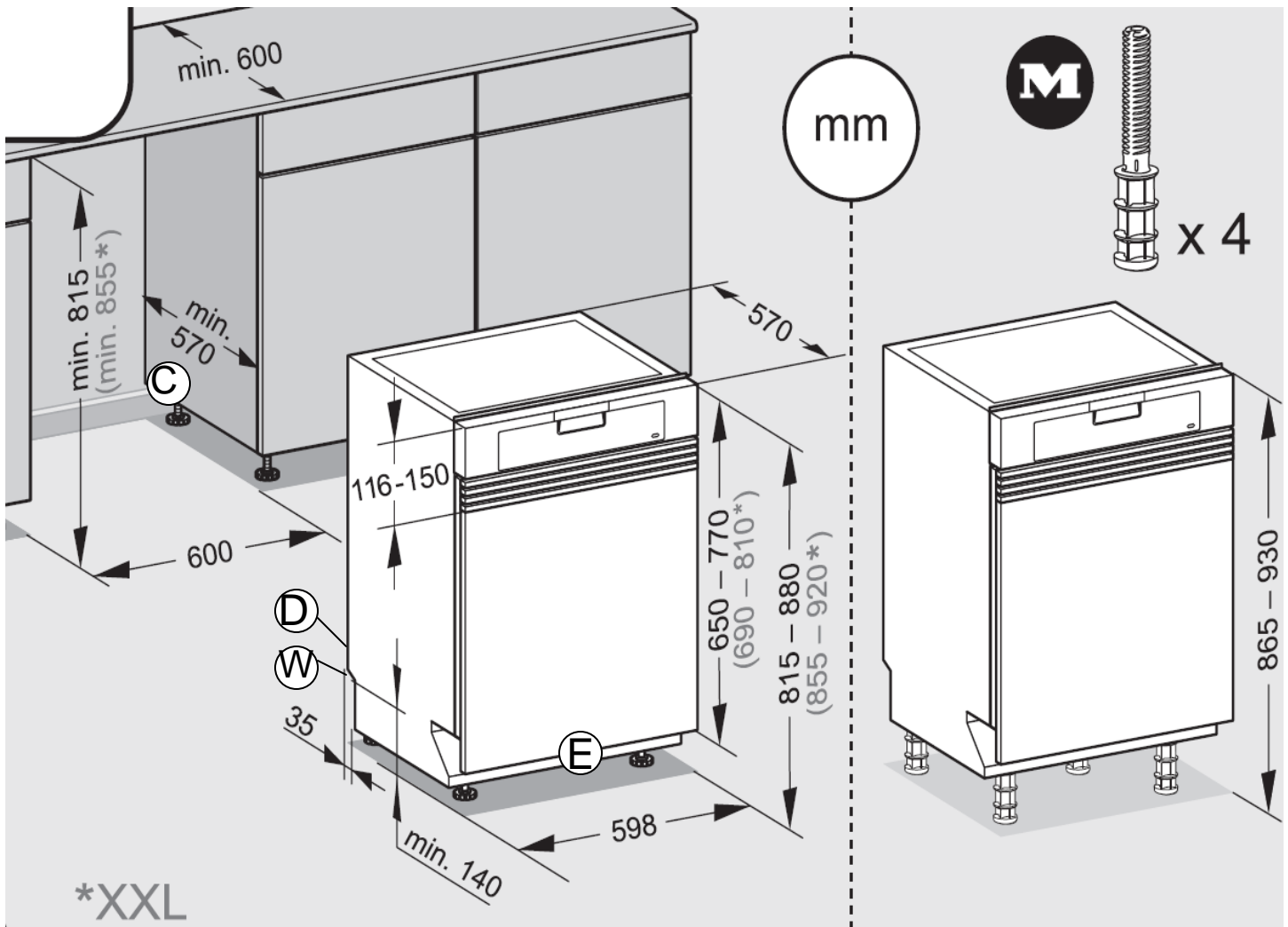
M UBS-1

This is a special accessory available to order at extra cost

Note: Drawing is not to scale

Specification Sheets OJS 06262011

Product and Cut-out Dimensions G4205 & G5XX5 Integrated Series Dishwashers



Location Codes

- C - Cutout (34mm x 35mm) for water, drain and electric pass-through. Adjust according to water and drain location.
- D - 1.5 meter flexible drain hose connects lower center rear.
- E - 1.5 meter - 120 Volt - 15 Amp 3-wire molded plug power supply connects at front terminal or can be hardwired..
- W - 1.5 meter flexible water intake hose with a 3/8" compression fitting nut connects lower center rear.

Notes

- All installations must be done in accordance with local codes

M UBS-1

This is a special accessory available to order at extra cost

Note: Drawing is not to scale

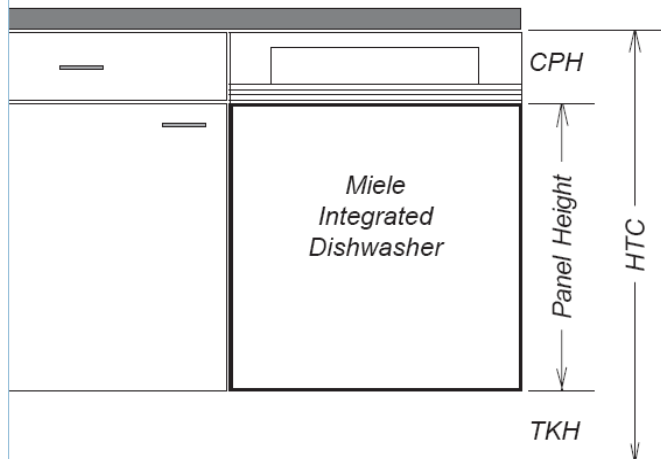
Specification Sheets OJS 06262011

Product and Cut-out Dimensions G4205 & G5XX5 Integrated Series Dishwashers

Custom Panel Installations

Some Miele dishwashers do not come equipped with a front panel. These dishwashers are designed to accept a custom door panel supplied by the cabinet maker. Miele has a unique panel integration system which allows the dishwasher to align with the surrounding cabinets.

Panel size is determined in the following manner:



Width: 23 7/16" (598mm) in all cases

Thickness: 3/4" (19mm) in all cases

Height: Determined using the following calculation:

$$\text{Panel Height} = \text{HTC} - \text{CPH} - \text{TKH}$$

HTC = Height to the underside of countertop

CPH = Control panel height (Note 1)

TKH = Toe-kick height

Note 1: Control Panel Height is determined by the height of the drawers in the cabinets. This height is adjustable between 4 5/8" and 5 7/8" (116-150mm) with spacer strips provided.

Maximum panel height: 27 1/4" (692 mm)

Minimum panel height: 21 1/4" (540 mm)

Maximum panel weight:

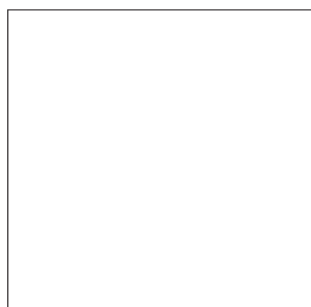
White / Black 23 Pounds (10.4 kg)

Stainless Steel 19 Pounds (8.6 kg)

GDU Kit Installations

In lieu of a custom front, Miele offers a decorative panel system called a GDU kit. GDU kits vary depending upon the model chosen. Each GDU kit contains a front panel and a toe-kick cover.

GDU 60/65-1 - 4" Toekick



Exposed toe-kick

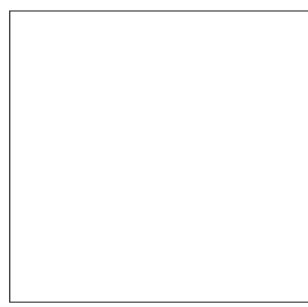
This GDU accepts a custom insert:

Height: 25 11/16" (650 mm)

Width: 23 1/8" (587 mm)

Thick: 1/8" (3 mm)

GDU 60/60-1 - 6" Toekick



Exposed toe-kick

This GDU accepts a custom insert:

Height: 23 5/8" (600 mm)

Width: 23 1/8" (587 mm)

Thick: 1/8" (3 mm)

Note: Drawing is not to scale

Specification Sheets OJS 06262011