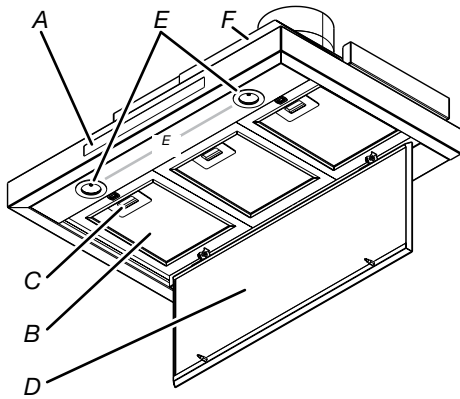


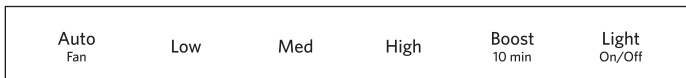
RANGE HOOD USE

The range hood is designed to remove smoke, cooking vapors, and odors from the cooktop area. For best results, start the hood before cooking and allow it to operate several minutes after the cooking is complete to clear all smoke and odors from the kitchen. The hood controls are located on the front of the range hood.



- A. Blower and LED lamp controls
- B. Grease filter
- C. Grease filter handle
- D. Perimetric cover
- E. LED lights
- F. Hood liner

Range Hood Controls



NOTES:

- To activate the controls, press and release the desired button.
- The control feature button will be lit when a control feature is turned on.

Sleep Mode

The range hood automatically enters Sleep Mode when not in use. After 10 minutes of no range hood activity, all of the control button lights will turn off. To deactivate Sleep Mode, press any button.

Auto Sense

- Auto Sense allows the range hood fan to turn on automatically when it senses heat higher than its allowable temperature limit.
- When Auto Sense is on, the fan speed will increase or decrease based on the temperature Auto Sense is measuring.
- Auto Sense can be manually increased by pressing a higher fan speed. The fan will run at the selected speed for 10 minutes before returning to the speed selected for Auto Sense.
- If Auto Sense is on, the Auto Fan button light will turn off and go into Sleep Mode when the vent hood is not in use. If the vent hood is turned on by the consumer or by Auto Sense, the Auto fan button light will turn on.

To set Auto Sense:

- Press AUTO Fan.

To Select Auto Sense Cooktop Type:

NOTE: The range hood is factory-set for the gas cooktop mode.

- Press and hold AUTO Fan for 5 seconds to switch between the gas cooktop and electric cooktop modes.
- The Auto Fan button light will flash 5 times when the range hood is changed to the electric cooktop mode. Auto Sense is now set to work with electric cooktops and ranges.
- The Auto Fan button light will flash three times when the range hood is changed to the gas cooktop mode. Auto Sense is now set to work with gas cooktops and ranges.
- Changing the cooktop type will change the temperature limit for Auto Sense to turn on. When the range hood senses a high enough temperature, the fan will start automatically.
- When the temperature drops below the set temperature limit, the fan will stop automatically. The Auto Fan button light will turn off after the range hood enters Sleep Mode, but Auto Sense is still active.

To Deactivate Auto Sense:

- If the Auto Fan button is lit, press AUTO Fan once to deactivate Auto Sense. The Auto button light will turn off.
- If Auto Sense is in Sleep Mode, press AUTO Fan once to deactivate Sleep Mode and turn on the Auto Fan button light.
- Press AUTO Fan again to deactivate Auto Sense and turn off the Auto Fan button light.
- Auto Sense will turn off automatically after two hours of no activation of the Auto Sense system. To reset Auto Sense, press AUTO Fan.

Manual Vent Functions

Fan Speeds

- Low** Press LOW to turn the fan on at LOW speed.
- Med** Press MED to turn the fan on at Medium speed.
- Hi** Press HI to turn the fan on at High speed.
- Boost** Press BOOST to turn the fan on at the highest speed. Boost will automatically turn off after 10 minutes and the fan will switch to High speed.

Timer

The range hood can be set to automatically turn off after 15 minutes.

1. Press and hold the desired fan speed button for 2 seconds. The fan will run on the chosen speed for 15 minutes and the fan speed button light will flash continuously. After 15 minutes, the fan will turn off automatically.
2. Press the desired fan speed button again while the fan timer is running to cancel the fan timer.

NOTE: Changing the fan speed or turning Auto Sense on will also cancel the 15-minute timer.

Light

The range hood has both task and ambient lighting.

To operate the lights:

1. Touch LIGHT once to turn the LED task lights to high setting.
2. Touch LIGHT again to turn LED task lights to low setting.
3. Touch LIGHT a third time to turn the LED lights off.

RANGE HOOD CARE

Cleaning

IMPORTANT: Clean the hood and grease filters frequently according to the following instructions. Replace grease filter before operating hood.

Exterior Surfaces:

IMPORTANT: To avoid damage to the exterior surface, do not use steel wool or soap-filled scouring pads.

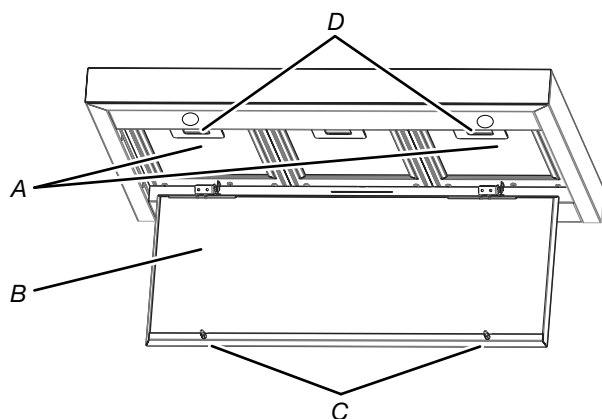
Always wipe dry to avoid water marks.

Cleaning Method:

- Liquid detergent soap and water, or all-purpose cleanser
- Wipe with damp soft cloth or nonabrasive sponge, then rinse with clean water and wipe dry.

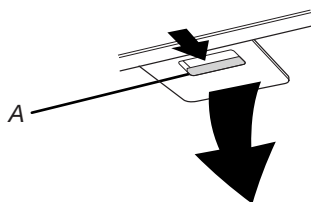
Metal Grease Filter

1. Open the panel. Grasp panel at the front corners and pull down to disengage the two catch pins from the spring catches. The panel is attached at the rear and will rotate down.



- A. Metal filters
- B. Stainless steel panel
- C. Catch pins (2)
- D. Spring catches (2)

2. Remove each filter by pulling the spring-release handle and then pulling down the filter.



- A. Spring-release handle

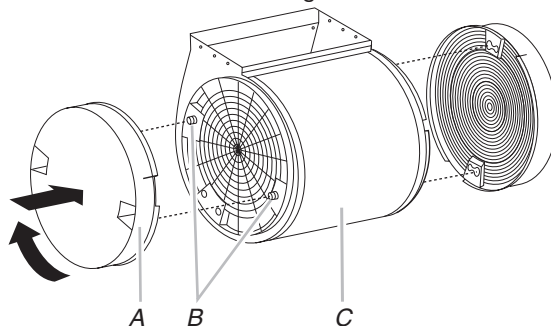
3. Wash metal filter as needed in dishwasher or hot detergent solution.
4. Reinstall the filter by making sure the spring-release handles are toward the front. Insert metal grease filter into upper track.
5. Pull the spring release handle down.
6. Push up on metal filter and release handle to latch into place.
7. Repeat steps 1-5 for the other filter.
8. Close the panel. Engage the two pins in the spring catches to secure.

Non-Vented (recirculating) Installation Filters:

The charcoal filter is not washable. It should last up to 6 months with normal use. Replace with Charcoal Filter Kit. See the "Accessories" section for information on ordering.

To replace charcoal filter:

1. Cover the grille that covers the blower motor with the charcoal filter so that the slots on the filter correspond to the pins on the sides of the motor grille.



- A. Charcoal filter
- B. Pins
- C. Blower motor

2. Turn the charcoal filter clockwise to lock it.
3. Repeat steps 1-2 on the other filter.

Replacing an LED Lamp

The LED lights are replaceable by a service technician only. See the "Assistance and Service" section for service contact information.