

# ASSEMBLY INSTRUCTIONS

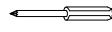
ITEM #: P012124

DESCRIPTION: DRAWER CHEST

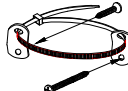
Thank you for purchasing this quality product. Be sure to check all packing material carefully for small parts that may have come loose inside the carton during shipment. Identify and count all hardware and compare with the hardware list below.

### TOOLS REQUIRED (NOT PROVIDED)

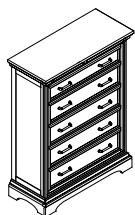
Phillips screwdriver

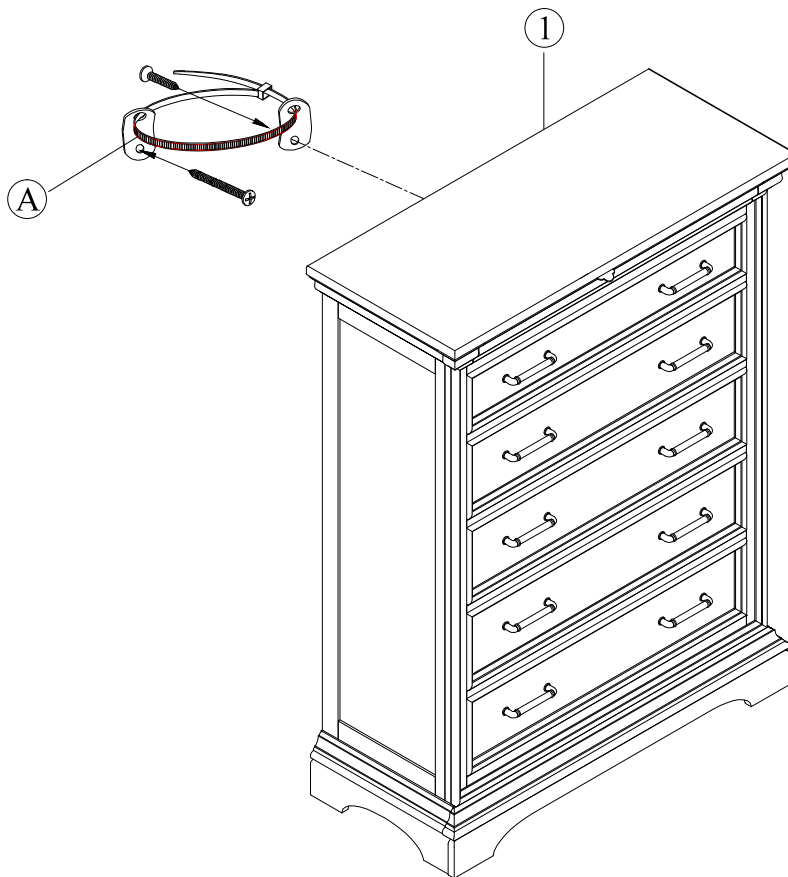


### HARDWARE LIST:

No.	Description	Sketch	Size	Q'ty
A	Furniture Tipping Restraint			1 Set

### PARTS LIST:

No.	Description	Sketch	Q'ty
1	Drawer Chest		1 Pc



RESIDENTIAL USE ONLY

MADE IN VIET NAM