

# BOTTOM-MOUNT REFRIGERATOR OWNER'S MANUAL

## MANUEL D'UTILISATION DU RÉFRIGÉRATEUR AVEC CONGÉLATEUR EN BAS

### Table of Contents/Table des matières

<b>REFRIGERATOR SAFETY</b> .....	2	<b>SÉCURITÉ DU RÉFRIGÉRATEUR</b> .....	24
Refrigerator Safety .....	2	Sécurité Du Réfrigérateur .....	24
<b>MAINTENANCE AND CARE</b> .....	3	<b>ENTRETIEN ET RÉPARATION</b> .....	25
Cleaning .....	3	Nettoyage .....	25
Changing the LED Module .....	4	Remplacer le module à DEL .....	26
Water Filtration System .....	4	Système de filtration de l'eau .....	26
Vacation and Moving Care .....	4	Précautions à prendre avant les vacances ou le déménagement .....	27
Sabbath Mode Instructions .....	5	Instructions pour le mode Sabbat .....	27
Refrigerator Drawers and Shelves .....	5	Tablettes et balconnets du réfrigérateur .....	28
<b>INSTALLATION REQUIREMENTS</b> .....	6	<b>EXIGENCES D'INSTALLATION</b> .....	29
Tools and Parts .....	6	Outils et pièces .....	29
Product Dimensions .....	7	Dimensions du produit .....	29
Door Swing Dimensions .....	7	Dimensions pour l'ouverture des portes .....	30
Site Preparation .....	7	Préparation du site .....	30
Location Requirements .....	8	Exigences d'emplacement .....	31
Electrical Requirements .....	8	Spécifications électriques .....	31
Water Supply Requirements .....	9	Spécifications de l'alimentation en eau .....	32
<b>INSTALLATION INSTRUCTIONS</b> .....	9	<b>INSTRUCTIONS D'INSTALLATION</b> .....	33
Opening Dimensions .....	9	Dimensions de l'ouverture .....	33
Unpack the Refrigerator .....	10	Déballage du réfrigérateur .....	33
Main Components .....	10	Principaux composants .....	33
Connect the Water Supply .....	10	Raccordement à la canalisation d'eau .....	34
Plug in Refrigerator .....	11	Brancher le réfrigérateur .....	35
Move Refrigerator To Final Location .....	12	Déplacement du réfrigérateur à son emplacement définitif .....	35
Refrigerator Doors Panel Mounting .....	13	Montage des panneaux de portes du réfrigérateur .....	36
Leveling .....	21	Mise à niveau .....	45
Install Base Grille .....	21	Installation de la grille de la base .....	45
Complete Installation .....	22	Achever l'installation .....	45
<b>REFRIGERATOR FEATURES</b> .....	22	<b>CARACTÉRISTIQUES DU RÉFRIGÉRATEUR</b> .....	46
Operating Your Refrigerator .....	22	Utilisation du réfrigérateur .....	46
Water and Ice Dispensers .....	23	Distributeurs d'eau et de glaçons .....	46
Ice Maker .....	23	Machine à glaçons .....	47

# REFRIGERATOR SAFETY

## Your safety and the safety of others are very important.

We have provided many important safety messages in this manual and on your appliance. Always read and obey all safety messages.



This is the safety alert symbol.

This symbol alerts you to potential hazards that can kill or hurt you and others.

All safety messages will follow the safety alert symbol and either the word "DANGER" or "WARNING." These words mean:

**⚠ DANGER**

**You can be killed or seriously injured if you don't immediately follow instructions.**

**⚠ WARNING**

**You can be killed or seriously injured if you don't follow instructions.**

All safety messages will tell you what the potential hazard is, tell you how to reduce the chance of injury, and tell you what can happen if the instructions are not followed.

## IMPORTANT SAFETY INSTRUCTIONS

**WARNING:** To reduce the risk of fire, electric shock, or injury to persons when using your appliance, follow basic precautions, including the following:

- Children should be supervised to ensure that they do not play with the appliance.
- This appliance is not intended for use by persons (including children) with reduced physical, sensory, or mental capabilities, or lack of experience and knowledge, unless they have been given supervision or instruction concerning use of the appliance by a person responsible for their safety.
- Do not use an extension cord.
- If power supply cord is damaged, it must be replaced by the manufacturer, its service agent, or a similarly qualified person in order to avoid a hazard.
- Connect to potable water supply only.
- This appliance is intended to be used in household and similar applications such as: staff kitchen areas in shops, offices, and other working environments; farm houses and by clients in hotels, motels, and other residential-type environments; bed and breakfast-type environments; and catering and similar non-retail applications.
- Do not store explosive substances such as aerosol cans with a flammable propellant in this appliance.
- Do not use replacement parts that have not been recommended by the manufacturer (e.g., parts made at home using a 3D printer).
- Keep ventilation openings, in the appliance enclosure or in the built-in structure, clear of obstruction.
- Do not use mechanical devices or other means to accelerate the defrosting process, other than those recommended by the manufacturer.
- Do not damage the refrigerant circuit.
- Do not use electrical appliances inside the food storage compartments of the appliance, unless they are of the type recommended by the manufacturer.
- Ice maker kit can be added to some models. See serial tag inside the food compartment of appliance for ice maker kit model information.
- A qualified service technician must install the water line and ice maker. See installation instructions supplied with ice maker kit for complete details.

## SAVE THESE INSTRUCTIONS

### Proper Disposal of Your Old Refrigerator

**WARNING: Risk of child entrapment. Before you throw away your old refrigerator or freezer:**

- Take off the doors.
- Leave the shelves in place so that children may not easily climb inside.

**⚠ WARNING**

**Suffocation Hazard**

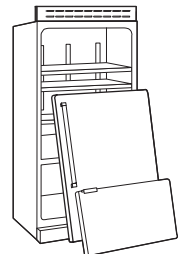
**Remove doors or lid from your old appliance.**

**Failure to do so can result in death or brain damage.**

**IMPORTANT:** Child entrapment and suffocation are not problems of the past. Junked or abandoned refrigerators are still dangerous, even if they will sit for "just a few days." If you are getting rid of your old refrigerator, please follow these instructions to help prevent accidents.


#### Important information to know about disposal of refrigerants:

Dispose of refrigerator in accordance with federal and local regulations. Refrigerants must be evacuated by a licensed, EPA-certified refrigerant technician in accordance with established procedures.



# MAINTENANCE AND CARE

## Cleaning

<b>⚠WARNING</b>

<b>Explosion Hazard</b>
<b>Risk of Fire or Explosion.</b>
<b>Flammable Refrigerant Used.</b>
<b>Do Not Use Mechanical Devices to Defrost Refrigerator.</b>
<b>Do Not Puncture Refrigerant Tubing.</b>

Both the refrigerator and freezer sections defrost automatically. However, clean both sections about once a month to avoid odor buildup. Wipe up spills immediately.

### IMPORTANT:

- Because air circulates between both sections, any odors formed in one section will transfer to the other. You must thoroughly clean both sections to eliminate odors. To avoid odor transfer and drying out of food, wrap or cover foods tightly.
- For stainless steel models, stainless steel is corrosion-resistant and not corrosion-proof. To help avoid corrosion of your stainless steel, keep your surfaces clean by using the following cleaning instructions.

### To Clean Your Refrigerator:

**NOTE:** Do not use abrasive or harsh cleaners such as window sprays, scouring cleansers, flammable fluids, muriatic acid, cleaning waxes, concentrated detergents, bleaches, or cleansers containing petroleum products on exterior surfaces (doors and cabinet), plastic parts, interior, and door liners or gaskets. Do not use paper towels, scouring pads, or other harsh cleaning tools.


1. Unplug refrigerator or disconnect power.
2. Hand-wash, rinse, and dry removable parts and interior surfaces thoroughly. Use a clean sponge or soft cloth and a mild detergent in warm water.
3. Clean the exterior surfaces.

**Painted metal:** Wash painted metal exteriors with a clean, soft cloth or sponge and a mild detergent in warm water. Rinse surfaces with clean, warm water and dry immediately to avoid water spots.

**Stainless steel:** Wash stainless steel surfaces with a clean, soft cloth or sponge and a mild detergent in warm water. Rinse surfaces with clean, warm water and dry immediately to avoid water spots.

**NOTE:** When cleaning stainless steel, always wipe with the grain to avoid cross-grain scratching.

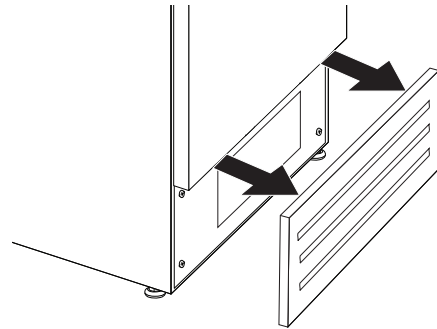
## Condenser Cleaning

<b>⚠WARNING</b>

<b>Explosion Hazard</b>
<b>Risk of Fire or Explosion due to Puncture of Refrigerant Tubing;</b>
<b>Follow Handling Instructions Carefully.</b>
<b>Flammable Refrigerant Used.</b>

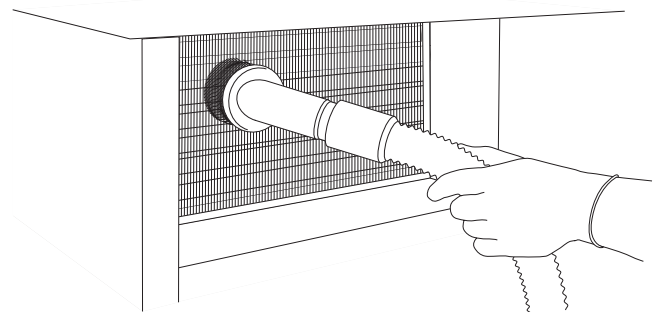
There is no need for routine condenser cleaning in normal home operating environments. If the environment is particularly greasy or dusty, or there is a significant pet traffic in the home, the condenser should be cleaned every 2 to 3 months to ensure maximum efficiency.

If you need to clean the condenser:

1. Unplug refrigerator or disconnect power.
2. Remove the base grille.



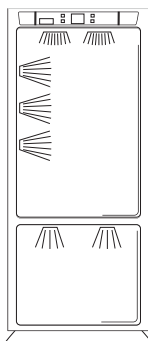
3. Use a vacuum cleaner with a soft brush to clean the grille, the open areas behind the grille, and the front surface area of the condenser.



4. Replace the base grille when finished.
5. Plug in refrigerator or reconnect power.

**NOTE:** If you are unable to clean the condenser, please call for service.

## Changing the LED Module



**IMPORTANT:** The lights in both the refrigerator and freezer compartments use LED technology that do not need to be replaced.

If an LED module(s) do not illuminate when the refrigerator and/or freezer door is opened, call for assistance or service. See "Quick Start Guide" for contact information.

## Water Filtration System

The water filter is located above the top glass panel of the refrigerator compartment. To access the water filter hold the top glass panel with two hands, subtly push the glass panel backward. Top glass panel will rotate and lean against the rear wall. Repeat in reverse to put top glass panel back in place.

Do not use with water that is microbiologically unsafe or of unknown quality without adequate disinfection before or after the system. Systems certified for cyst reduction may be used on disinfected waters that may contain filterable cysts.

**IMPORTANT:** The disposable water filter should be replaced at least every 6 months. If the water flow to the water dispenser or ice maker decreases noticeably before 6 months have passed, replace the water filter more often.

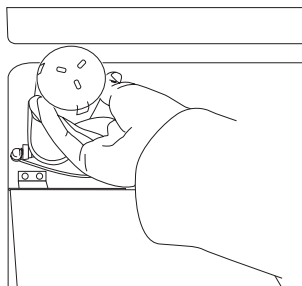
### Water Filter Status Lights

The water filter status lights will help you know when to change the water filter. When the Order light is on, it is almost time to change the water filter. When the Replace light is on, a new water filter should be installed.

### Reset Water Filter Status

After replacing the water filter, press and hold Filter Reset for 3 seconds until the Order or Replace light turns off. See "Using the Controls" in the Quick Start Guide.

### Replacing the Water Filter



**IMPORTANT:** Air trapped in the water system may cause water and filter to eject. Always dispense water for at least 2 minutes before removing the filter or blue bypass cap.

1. Turn filter cartridge for quarter rotation in counterclockwise direction to remove.  
**NOTE:** There may be some water in the filter. Some spilling may occur. Use a towel to wipe up any spills.
2. Remove sealing label from replacement filter and insert the filter end into the filter head.
3. Turn the filter clockwise until it stops. Snap the filter cover closed.
4. Flush the water system. See "Water Dispenser."

**NOTE:** The dispenser feature may be used without a water filter installed. Your water will not be filtered. If this option is chosen, push "Water Filter" icon.



## Vacation and Moving Care

### Vacations

#### If You Choose to Leave the Refrigerator On While You're Away:

1. Use up any perishables and freezer other items.
2. If your refrigerator has an automatic ice maker, and is connected to the household water supply, turn off the water supply to the refrigerator. Property damage can occur if the water supply is not turned off.
3. If you have an automatic ice maker, turn off the ice maker. Raise the wire shutoff arm to Off (arm up) position.
4. Empty the ice bin.

#### If You Choose to Turn Off the Refrigerator Before You Leave:

1. Remove all food from the refrigerator.
2. If your refrigerator has an automatic ice maker:
  - Turn off the water supply to the ice maker at least one day ahead of time.
  - When the last load of ice drops, raise the wire shutoff arm to the Off (up) position.
3. Empty the ice bin.
4. Turn off the Temperature control(s). See "Using the Controls" in the Quick Start Guide.
5. Clean refrigerator, wipe it, and dry well.
6. Tape rubber or wood blocks to the tops of both doors to prop them open far enough for air to get in. This stops odor and mold from building up.

### Moving

When you are moving your refrigerator to a new home, follow these steps to prepare it for the move.

1. If your refrigerator has an automatic ice maker:
  - Turn off the water supply to the ice maker at least one day ahead of time.
  - Disconnect the water line from the back of the refrigerator.
  - When the last load of ice drops, raise the wire shutoff arm to the Off (up) position.
2. Remove all food from the refrigerator and pack all frozen food in dry ice.
3. Empty the ice bin.
4. Turn off the Temperature control(s). See "Using the Controls" in the Quick Start Guide.
5. Unplug refrigerator.

6. Clean, wipe, and dry thoroughly.
7. Take out all removable parts, wrap them well, and tape them together so they don't shift and rattle during the move.
8. Depending on the model, raise the front of the refrigerator so it rolls more easily or raise the leveling screws so they don't scrape the floor. See online "Adjust the Door(s)" or "Door Closing and Door Alignment."
9. Tape the doors closed and tape the power cord to the back of the refrigerator.

When you get to your new home, put everything back and refer to "Installation Instructions" for preparation instructions. If your refrigerator has an automatic ice maker, remember to reconnect the water supply to the refrigerator.

## Sabbath Mode Instructions

Your refrigerator is equipped with the Sabbath Mode feature, which is designed for those whose religious observances require turning off the lights and ice maker.

By selecting this feature:

- The temperature setpoints settings remain unchanged.
- LEDs from the electronic controls will not display.
- The Sabbath button will be the only light displayed.
- No alarm will ring.
- Interior lights will turn off.
- The product will not change its behavior by opening the door.

For the most efficient refrigerator operation, it is recommended to exit Sabbath mode when it is no longer required.

To fully activate Sabbath Mode, you must follow the instructions on the control panel.

### CONTROL PANEL

#### To activate Sabbath mode:

1. Choose "settings icon" in the main screen.
2. Scroll to the right and locate the "Sabbath Mode Icon" on the second screen (top right). Select the icon.
3. A new screen will appear asking if you want the Sabbath Mode On or Off. Choose "ON".
4. A new screen will appear asking if you want Sabbath Mode On, Yes or NO. Choose "Yes".

The product will enter Sabbath Mode.

#### To deactivate Sabbath mode:

1. Touch the main screen. It should have "Sabbath Mode" written on it.
2. A new screen will appear asking Sabbath Mode On or Off, Choose Off.
3. The Sabbath Mode is deactivated and the product will re-start.



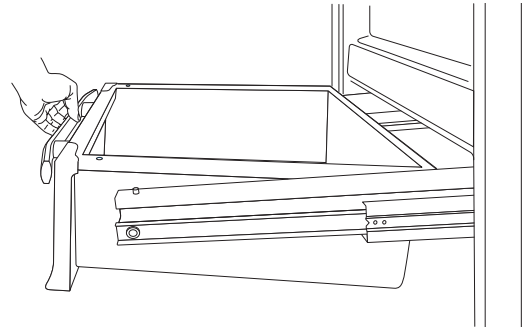
## Refrigerator Drawers and Shelves

### Remove and Replace Drawers (for safety reason the removal of drawers is possible only with tools)

Depending on the width of your door opening, it may be necessary to remove the Freezer drawer front to move the refrigerator into your home.

#### Remove Drawers

1. Freezer Drawers are tightened to slide guide with two thumbscrews.
2. Open Freezer drawers to its full extension.
3. Loosen the two thumbscrews.
4. Lift up on the drawer front to release the clips from the drawer slide guide bracket slots.

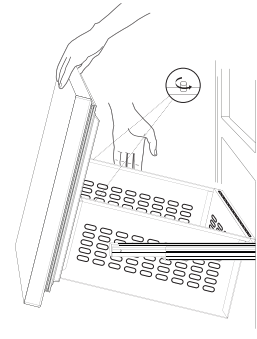


5. Slide the drawer slide guides back into the freezer.

#### Replace Drawers

1. Pull out the drawer slide guides to their full extension.
2. Holding drawers front by its sides, align and insert the clips in the drawer guide bracket slots.

**NOTE:** It helps if one person holds the drawer slide guides steady while another person aligns the drawer front and inserts the clips into the slots.



3. Replace and tighten the two thumbscrews.

### Remove and Replace Ice Tray

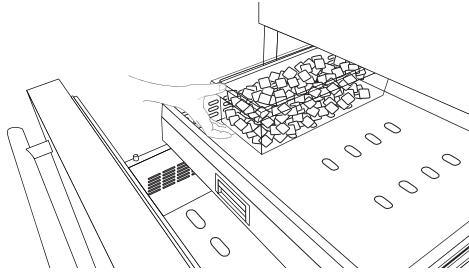
Ice tray is located in upper drawer of the freezer compartment.

#### To remove ice tray:

1. Pull out the upper drawer from the freezer compartment.
2. Ice tray is attached with locking panels.
3. Take out the ice tray by removing locking panels.

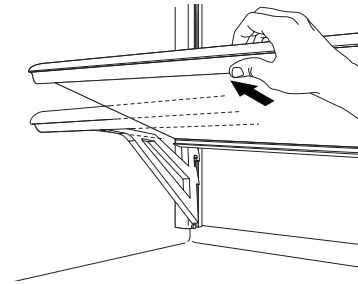
### To replace ice tray:

1. Pull out the upper drawer.
2. Align the ice tray with locking panels and place it.



### To replace a shelf:

1. Place the glass shelf in the joint of the rear part.
2. Lower the front of the glass shelf and make sure that the shelf is in position.



## Refrigerator Shelves

### Important information to know about glass shelves and covers:

Do not clean glass shelves or covers with warm water when they are cold. Shelves and covers may break if exposed to sudden temperature changes or impact, such as bumping. Tempered glass is designed to shatter into many small, pebble-size pieces. This is normal. Glass shelves and covers are heavy. Use both hands when removing them to avoid dropping.

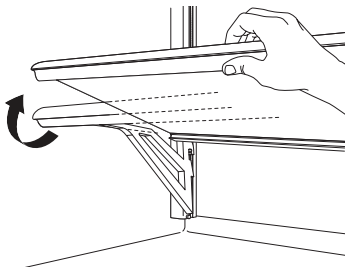
The glass shelves in your refrigerator are adjustable to match your individual storage needs.

Storing similar food items together in your refrigerator and adjusting the shelves to fit different heights of items will make finding the exact item you want easier. It will also reduce the amount of time the refrigerator door is open, and save energy.

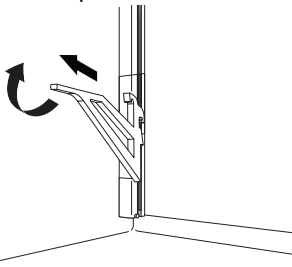
### Shelves

#### To remove a shelf:

1. Remove items from the shelf.
2. Hold the glass shelf with both hands, lift and tilt glass shelf to release it from the joint in rear part.
3. Remove the glass shelf.



4. To adjust the glass shelves height, tilt the support bracket upward and pull out the bracket on both sides.

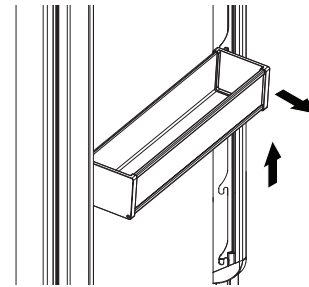


5. Place the support bracket at required height, slide in the support brackets on both sides. Make sure support brackets are placed at same height.

## Door Bins

### To remove door bins:

1. Remove the screws and end caps from the top of the door bin support rails.
2. Hold the door bin from the sides and tilt it a bit for sliding.
3. Push the door bin up to come out of position then pull out.



### To replace door bins:

1. Hold the door bin at the sides.
2. Push the door bin in and then down to fit at required position.
3. Reinstall the screws and caps on door bin support rails.

## INSTALLATION REQUIREMENTS

### Tools and Parts

#### IMPORTANT:

- Installer: Leave Installation Instructions with the homeowner.
- Homeowner: Keep Installation Instructions for future reference. Save these Installation Instructions for the local electrical inspector's use.

#### Tools Needed:

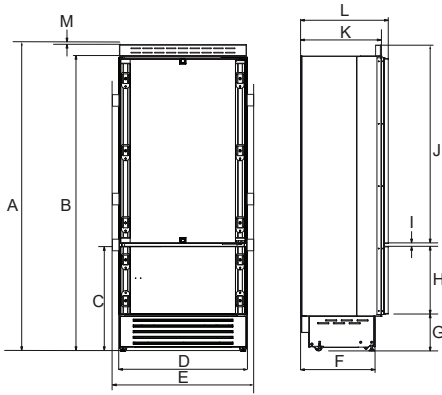
Gather the required tools and parts before starting installation. Read and follow the instructions provided with any tools listed here.

- Level
- 3/16" (4 mm) Allen Wrench
- Phillips Head Screwdriver
- Wood Drill
- 1/8" (2.5 mm) bit for Wood
- 5/16" (8 mm) bit for Walls
- 11/16" (17 mm) Wrench
- 3/4" (19 mm) Wrench
- 2.5 mm Allen Wrench for Handle Set Screws (if applicable)
- Appliance Dolly
- Step Ladder

#### Accessories:

- Cleaning Kit
- Anti-tip Kit
- Water Filter Kit
- Spacer Plastic Brackets
- Lateral Connection Kit
- 90° Stopper

## Product Dimensions

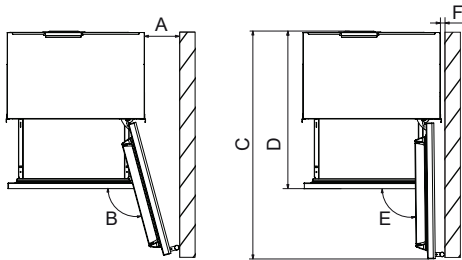


- |  |  |
|--|--|
| A. 84" (2134 mm)                               | H. 25 <sup>3</sup> / <sub>8</sub> " (645 mm)   |
| B. 81 <sup>1</sup> / <sub>4</sub> " (2064 mm)  | I. 1/4" (6 mm)                                 |
| C. 29 <sup>7</sup> / <sub>16</sub> " (748 mm)  | J. 54 <sup>3</sup> / <sub>16</sub> " (1377 mm) |
| D. 29 <sup>1</sup> / <sub>2</sub> " (749 mm)   | K. 24" (610 mm)                                |
| E. 29 <sup>15</sup> / <sub>16</sub> " (761 mm) | L. 24 <sup>3</sup> / <sub>4</sub> " (628 mm)   |
| F. 19 <sup>11</sup> / <sub>16</sub> " (500 mm) | M. 1/8" (3 mm)                                 |
| G. 4 <sup>1</sup> / <sub>16</sub> " (103 mm)   |  |

## Door Swing Dimensions

The location must permit door to open to a minimum of 90°. Allow 1/4" (15 mm) minimum space between the side of the refrigerator and a corner wall.

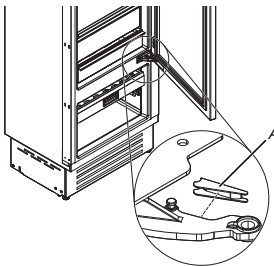
**NOTE:** More clearance may be required if you are using wood overlay panels, custom handles, or extended handles.



- |  |                 |
|--|-----------------|
| A. 7 <sup>1</sup> / <sub>4</sub> " (185 mm)    | D. 39" (992 mm) |
| B. 105°  | E. 90°          |
| C. 52 <sup>9</sup> / <sub>16</sub> " (1335 mm) | F. 1/4" (15 mm) |

There is the possibility to limit the opening of the door to 90° by fitting a stopper on the lower hinge.

**NOTE:** Door Stopper is provided in the accessory bag.



A. Door Stopper

## Site Preparation

### Anti-Tip Brackets

**WARNING**



#### Tip Over Hazard

Refrigerator is top heavy and tips easily when not completely installed.

Keep doors taped closed until refrigerator is completely installed.

Use two or more people to move and install refrigerator.

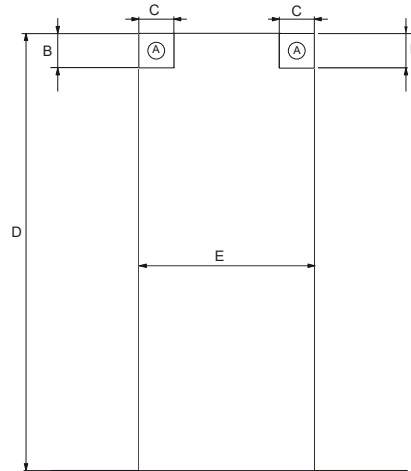
Failure to do so can result in death or serious injury.

#### IMPORTANT:

- For all applications the refrigerator must be braced with the anti-tip brackets supplied.
- It is recommended that anti-tip brackets should be attached to the refrigerator before the refrigerator is installed but can be installed after the refrigerator is in the installation location.

To install anti-tip brackets:

1. Area above refrigerator must be clear to attach the anti-tip brackets and identify the stud location within this area A.

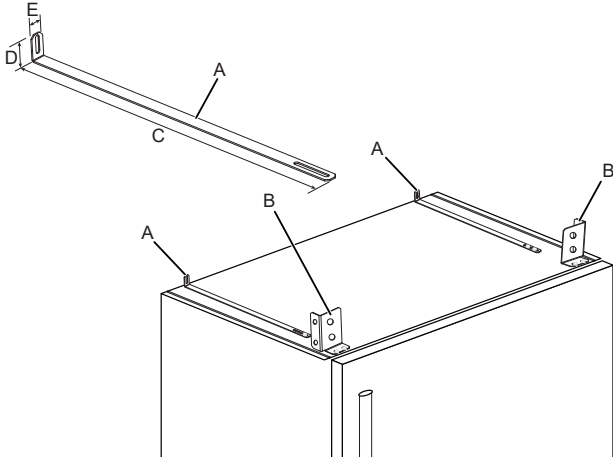


- A. Area to be left clear to install Anti-tip brackets
- B. 3" (76 mm)
- C. 4" (100 mm)
- D. 84" (2134 mm) minimum
- E. 30" (762 mm)

The minimum gap between the panels and cavity should be 1/16" (1 mm).

2. Anti-tip brackets should be secured by using screws in the wooden frame or concrete when possible. Securing anti-tip brackets to the wall using just expansion plugs should be supplemented with anti-tip boards.

3. The appliance is supplied with the brackets mounted. The edge of the bracket is mounted downwards, during installation turn the edge in upward direction.



- A. Anti-tip brackets  
 B. Top brackets  
 C. 20<sup>15</sup>/<sub>16</sub>" (531 mm)  
 D. 1<sup>1</sup>/<sub>2</sub>" (38 mm)  
 E. 13<sup>1</sup>/<sub>16</sub>" (20 mm)

## Location Requirements

⚠ WARNING

Explosion Hazard

**Keep flammable materials and vapors, such as gasoline, away from appliance.**

**Use nonflammable cleaner.**

**Failure to do so can result in death, explosion, or fire.**

**IMPORTANT:** This refrigerator is designed for indoor, household use only.

This appliance is intended to be used in a household and similar applications such as:

- Staff kitchen areas in shops, offices and other working environments.
- Farm houses and by clients in hotels, motels and other residential type environments.
- Bed and breakfast type environments.
- Catering and similar non-retail applications.

To ensure proper ventilation for your refrigerator, allow for 1/8" (3.2 mm) of space on each side and at the top. When installing your refrigerator next to a fixed wall, leave 7<sup>1</sup>/<sub>4</sub>" (185 mm) minimum on the hinge side to allow for the door to swing open.

## Electrical Requirements

⚠ WARNING

Electrical Shock Hazard

**Plug into a grounded 3 prong outlet.**

**Do not remove ground prong.**

**Do not use an adapter.**

**Do not use an extension cord.**

**Failure to follow these instructions can result in death, fire, or electrical shock.**

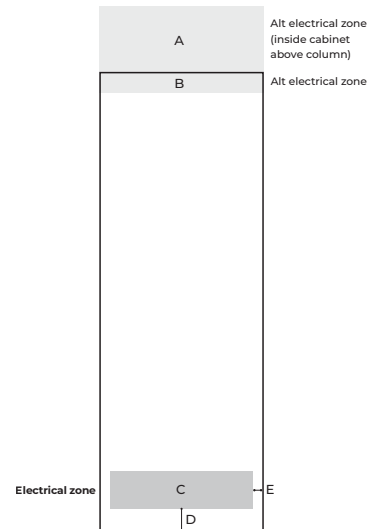
Before you move your refrigerator into its final location, it is important to make sure you have the proper electrical connection.

If the supply cord is damaged, it must be replaced by the manufacturer or its service agent or a similarly qualified person. Do not use a cord that shows cracks or abrasion damage along its length or at either the plug or connector end.

### Recommended Grounding Method

A 110 V-120 V, 60 Hz AC only, 15 A fused, grounded electrical supply is required. It is recommended that a separate circuit serving only your refrigerator and approved accessories be provided. Use an outlet that cannot be turned off by a switch. Do not use an extension cord.

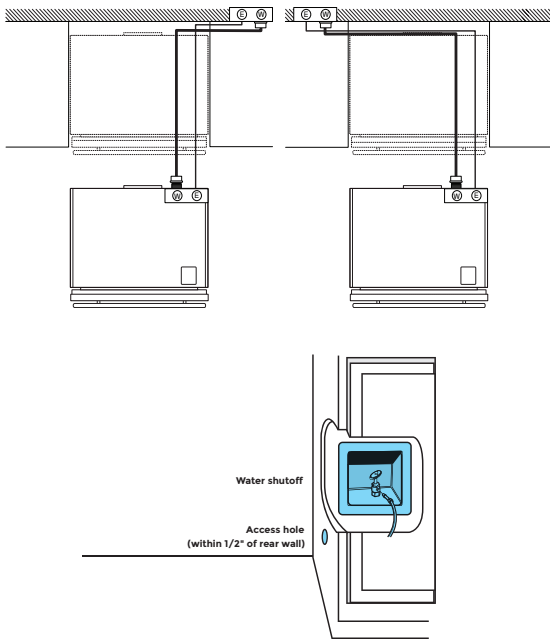
**NOTE:** Before performing any type of installation, cleaning, or removing a light bulb, turn the refrigerator to OFF. Depending on your model, turn the refrigerator control to the word OFF, or press the refrigerator down arrow touch pad until a dash (-) appears in refrigerator displays as shown. Disconnect the refrigerator from the electrical source. When you are finished, reconnect the refrigerator to the electrical source and reset the temperature controls to the desired setting. See "Quick Start Guide."



- A. 30" width x 12" height  
 B. 30" width x 3<sup>1</sup>/<sub>2</sub>" height  
 C. 26<sup>1</sup>/<sub>2</sub>" width x 6<sup>1</sup>/<sub>2</sub>" height  
 D. 4<sup>1</sup>/<sub>2</sub>"  
 E. 13<sup>3</sup>/<sub>4</sub>"



## Water Supply Requirements



Gather the required tools and parts before starting installation. Read and follow the instructions provided with any tools listed here.

### IMPORTANT:

- Connect to a potable water supply only.  
Do not use with water that is microbiologically unsafe or of unknown quality without adequate disinfection before or after the system. Systems certified for cyst reduction may be used on disinfected waters that may contain filterable cysts.
- All installations must meet local plumbing code requirements.
- Do not use a piercing-type or 3/16" (4.76 mm) saddle valve which reduces water flow and clogs more easily.  
**NOTE:** Your refrigerator dealer has a kit available with a 1/4" (6.35 mm) saddle-type shutoff valve, a union, and copper or braided stainless steel or PEX tubing. Before purchasing, make sure a saddle-type valve complies with your local plumbing codes.
- Check for leaks. Install water supply lines only in areas where the household temperatures will remain above freezing.  
**NOTE:** Refrigerator is having 3/4" (19 mm) NPT solenoid connection. It is recommended to use only 1/4" quick connect elbow adapter for 1/4" copper or polyethylene source water line to the refrigerator, or an appropriate NPT adapter.
- For models with water filters, the disposable water filter should be replaced at least every 6 months.

## Water Pressure

A cold water supply with water pressure of between 20 psi and 120 psi (137.9 kPa and 827.4 kPa) is required to operate the water dispenser and ice maker. If you have questions about your water pressure, call a licensed, qualified plumber.

**IMPORTANT:** Flush the water system before calibrating Measured Fill.

## Reverse Osmosis Water Supply

**IMPORTANT:** The pressure of the water supply coming out of a reverse osmosis system going to the water inlet valve of the refrigerator needs to be between 20 psi and 120 psi (137.9 kPa and 827.4 kPa).

If a reverse osmosis water filtration system is connected to your cold water supply, the water pressure to the reverse osmosis system needs to be a minimum of 20 psi to 120 psi (137.9 kPa to 827.4 kPa).

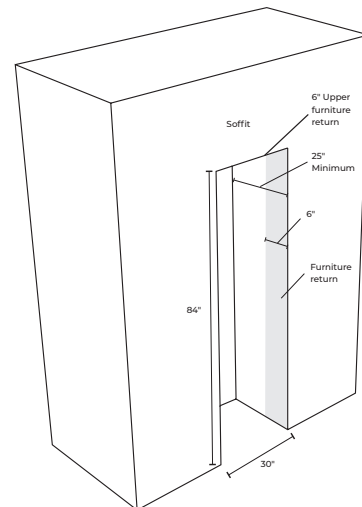
If the water pressure to the reverse osmosis system is less than 20 psi to 120 psi (137.9 kPa to 827.4 kPa):

- Check to see whether the sediment filter in the reverse osmosis system is blocked. Replace the filter if necessary.
- Allow the storage tank on the reverse osmosis system to refill after heavy usage.
- If your refrigerator has a water filter, it may further reduce the water pressure when used in conjunction with a reverse osmosis system. Remove the water filter. See "Water Filtration System".

If you have questions about your water pressure, call a licensed, qualified plumber.

## INSTALLATION INSTRUCTIONS

### Opening Dimensions



# Unpack the Refrigerator

## ⚠️ WARNING

### Excessive Weight Hazard

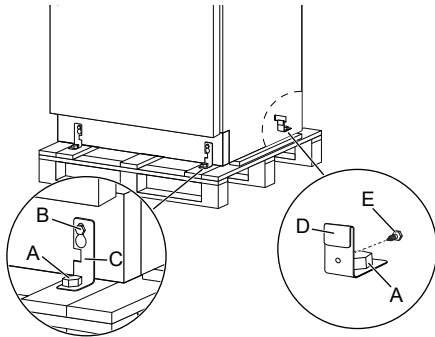
Use two or more people to move and install or uninstall appliance.

Failure to do so can result in back or other injury.

## Remove the Packaging

Dispose of/recycle all packaging materials. Do not use sharp instruments, rubbing alcohol, flammable fluids, or abrasive cleaners to remove tape or glue. These products can damage the surface of your refrigerator. For more information, see "Refrigerator Safety."

Refrigerator is attached to the packaging base with four bolts. Follow the below steps to release the refrigerator from base.



1. Unscrew the four bolts (A) by using 3/4" (19 mm) wrench.
2. Unscrew the rear wheel adjusting bolt (B) to release the fixing bracket (C) by using 3/4" (19 mm) wrench.
3. Remove the screws (E) to release the fixing bracket (D).
4. Remove the fixing brackets (C) and (D).

### When Moving Your Refrigerator:

Your refrigerator is heavy. When moving the refrigerator for cleaning or service, be sure to cover the floor with cardboard or hardboard to avoid floor damage. Always pull the refrigerator straight out when moving it. Do not wiggle or "walk" the refrigerator when trying to move it, as floor damage could occur.

**IMPORTANT:** All four leveling legs must contact the floor to support and stabilize the full weight of the refrigerator.

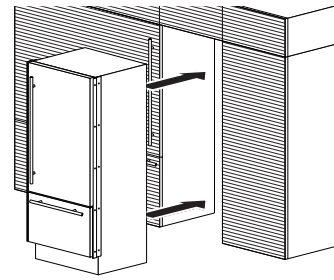
### Clean Before Using

After you remove all of the package materials, clean the inside of your refrigerator before using it. See the "Cleaning" section in this manual.

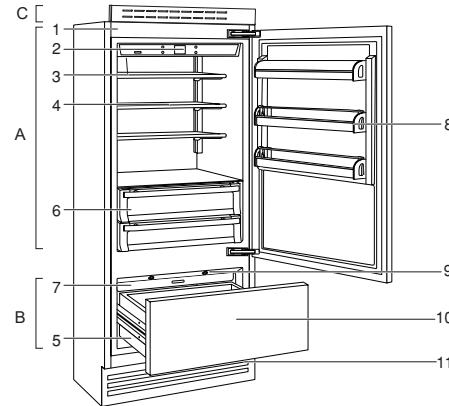
### Important information to know about glass shelves and covers:

Do not clean glass shelves or covers with warm water when they are cold. Shelves and covers may break if exposed to sudden temperature changes or impact, such as bumping. Tempered glass is designed to shatter into many small, pebble-size pieces. This is normal. Glass shelves and covers are heavy. Use both hands when removing them to avoid dropping.

Move the refrigerator to the installation structure.



## Main Components



- A. Refrigerator
- B. Freezer Compartment
- C. Top Front Protection Grill

1. Galvanized painted body
2. Interactive control panel
3. Water filter (\*)
4. Adjustable shelves
5. Drawers in freezer compartment
6. Drawers refrigerator compartment
7. Ice maker container (\*)
8. Door bins
9. LED illuminations for the freezer compartment bottom drawer
10. Freezer bottom drawer compartment convertible into refrigerator compartment
11. Removable grill condenser

(\*) on models with Ice Maker

## Connect the Water Supply

Read all directions before you begin.

### IMPORTANT:

- Plumbing shall be installed in accordance with the International Plumbing Code and any local codes and ordinances.
- The gray water tubing on the back of the refrigerator (which is used to connect to the household water line) is a PEX (crosslinked polyethylene) tube. Copper, stainless steel braided and PEX tubing connections from the household water line to the refrigerator are acceptable, and will help avoid off-taste or odor in your ice or water. Check for leaks. If PEX tubing is used instead of copper.

- Install tubing only in areas where temperatures will remain above freezing.

- Connect to a potable water supply only.

Do not use with water that is microbiologically unsafe or of unknown quality without adequate disinfection before or after the system. Systems certified for cyst reduction may be used on disinfected waters that may contain filterable cysts.

**NOTE:** Your refrigerator dealer has a kit available with a 1/4" (6.35 mm) saddle-type shutoff valve, a union, and copper or PEX tubing. Before purchasing, make sure a saddle-type valve complies with your local plumbing codes. Do not use a piercing type or 3/16" (4.76 mm) saddle valve which reduces water flow and clogs more easily.

### Connect to Water Line

**IMPORTANT:** If you turn on the refrigerator before the water line is connected, turn off the ice maker.

1. Unplug refrigerator or disconnect power.
2. Turn off main water supply. Turn on nearest faucet long enough to clear line of water.
3. Use a quarter-turn shutoff valve or the equivalent, supplied by a 1/2" copper or PEX household supply line.

**NOTE:** To allow sufficient water flow to the refrigerator, a minimum 1/2" size copper or PEX household supply line is recommended.

4. Now you are ready to connect the copper or PEX tubing to the shutoff valve. Use 1/4" (6.35 mm) O.D. (outside diameter) soft copper or PEX tubing to connect the shutoff valve and the refrigerator.

- Ensure that you have the proper length needed for the job. Be sure both ends of the copper tubing are cut square.
- Slip compression sleeve and compression nut onto copper tubing as shown. (PEX tubing has compression sleeves and compression nuts pre installed.) Insert end of tubing into outlet end squarely as far as it will go. Screw compression nut onto outlet end with adjustable wrench. Do not overtighten.

5. Place the free end of the tubing into a container or sink, and turn on main water supply to flush out tubing until water is clear. Turn off shutoff valve on the water pipe.

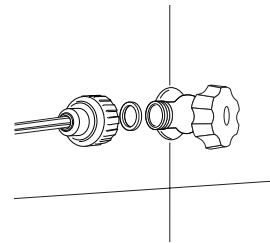
**NOTE:** Always drain the water line before making the final connection to the inlet of the water valve, to avoid possible water valve malfunction.

6. Bend the copper or PEX tubing to meet the water line inlet, which is located on the back of the refrigerator cabinet. Leave a coil of copper or PEX tubing to allow the refrigerator to be pulled out of the cabinet or away from the wall for service.

### Connect to Refrigerator

1. Unplug refrigerator or disconnect power.
2. Remove and discard the short, black plastic part from the end of the water line inlet.
3. Thread the nut onto the end of the tubing. Tighten the nut by hand. Then tighten it with a wrench two more turns. Do not overtighten.

**NOTE:** To avoid rattling, be sure the copper tubing does not touch the cabinet's side wall or other parts inside the cabinet.



4. Install the water supply tube clamp around the water supply line to reduce strain on the coupling.
5. Turn shutoff valve on.
6. Check for leaks. Tighten any connections (including connections at the valve) or nuts that leak.
7. On some models, the ice maker is equipped with a built-in water strainer. If your water conditions require a second water strainer, install in the 1/4" (6.35 mm) water line at either tube connection. Obtain a water strainer from your appliance dealer.

### Plug in Refrigerator

#### ⚠ WARNING



#### Electrical Shock Hazard

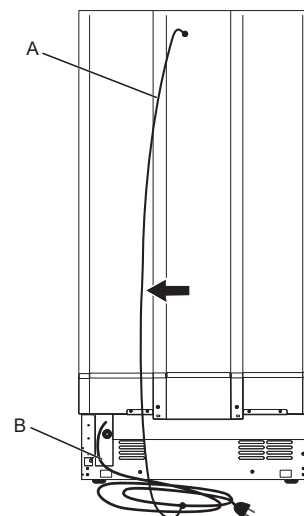
**Plug into a grounded 3 prong outlet.**

**Do not remove ground prong.**

**Do not use an adapter.**

**Do not use an extension cord.**

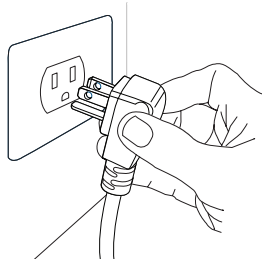
**Failure to follow these instructions can result in death, fire, or electrical shock.**



A. Bungee  
B. Power Cord

1. One end of the bungee is connected to the power supply cable by means of a clamp.
2. During assembly the power supply cable and its bungee are clamped and housed in the lower left.
3. During installation, remove the cable and its bungee from the housing.
4. Connect the free end of the bungee to the top screw of the body.
5. The electrical cable can now be supported avoiding getting caught on the wheels, avoiding pulling the electrical cable damaging it and facilitating the installation of the equipment in the recessed niche and enclosure.
6. Plug into a grounded 3-prong outlet.

**NOTE:** Allow 24 hours to produce the first batch of ice. Discard the first three batches of ice produced. Allow 3 days to completely fill the ice storage bin.



7. Flush the water system. See "Water and Ice Dispensers."

## Move Refrigerator To Final Location

### ⚠ WARNING



#### Tip Over Hazard

Refrigerator is top heavy and tips easily when not completely installed.

Keep doors taped closed until refrigerator is completely installed.

Use two or more people to move and install refrigerator.

Failure to do so can result in death or serious injury.

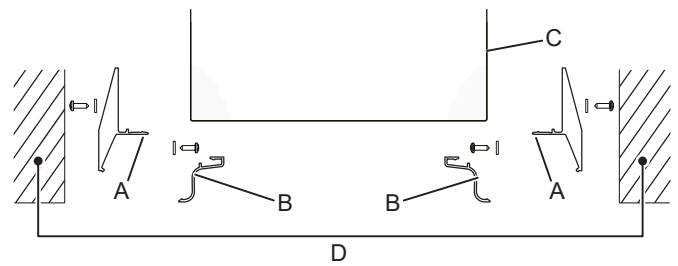
### Built-in Installation Single Refrigerator

For a built-in installation, special side profiles are installed between refrigerator and adjacent cabinets.

For installation follow the steps:

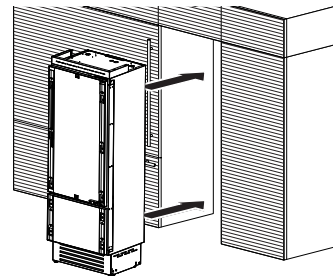
- There are 2" x 2" x 1/4" spacers (x10) secured to the refrigerator with 2 screws that need to be left on the unit at each location intended for the 'Profile Connection Trim' (x10) pieces. Remove the screw from each spacer (x10) closest to the front of the refrigerator and use those screws to attach the (x10) 'Profile Connection Trim' pieces to the 'Appliance'. **DO NOT OVERTIGHTEN.**

### Side Profiles Mounting:

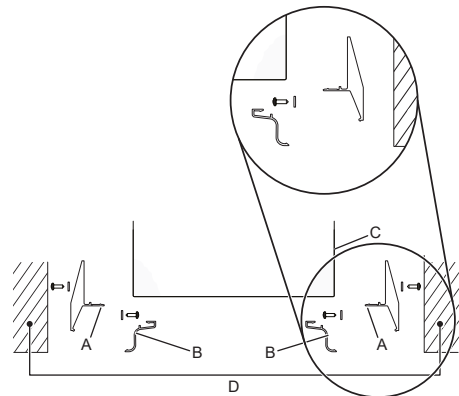


- A. Profile Connection Trim
- B. Profile Trim Cover
- C. Appliance
- D. Wall of Furniture

- Place the refrigerator into the installation structure.



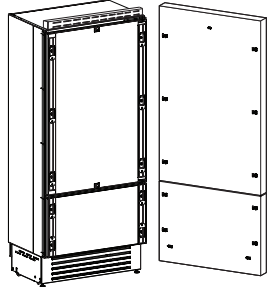
Use the (x10) screws supplied in the installation packet, to go through the Profile Connection Trim (x10) pieces attached to the refrigerator, to secure the refrigerator to the (D) 'Wall of Furniture'.



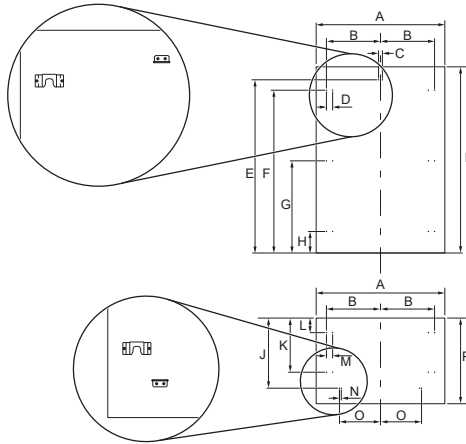
- A. Profile Connection Trim
- B. Profile Trim Cover
- C. Appliance
- D. Wall of Furniture

# Refrigerator Doors Panel Mounting

## Attaching Door Panels



### Holes positions:



- |   |  |
|---|--|
| A. 29 <sup>7</sup> / <sub>8</sub> " (759 mm)    | I. 54 <sup>3</sup> / <sub>16</sub> " (1377 mm) |
| B. 13 <sup>7</sup> / <sub>16</sub> " (342 mm)   | J. 50" (507.5 mm)                              |
| C. 1/4" (6.5 mm)                                | K. 15 <sup>1</sup> / <sub>16</sub> " (382 mm)  |
| D. 1 <sup>5</sup> / <sub>16</sub> " (34 mm)     | L. 3 <sup>15</sup> / <sub>16</sub> " (100 mm)  |
| E. 50" (1270 mm)                                | M. 1 <sup>5</sup> / <sub>16</sub> " (34 mm)    |
| F. 45 <sup>11</sup> / <sub>16</sub> " (1160 mm) | N. 1/2" (13 mm)                                |
| G. 25 <sup>7</sup> / <sub>8</sub> " (657 mm)    | O. 11" (279.5 mm)                              |
| H. 6 <sup>1</sup> / <sub>16</sub> " (154 mm)    | P. 25 <sup>3</sup> / <sub>8</sub> " (645 mm)   |

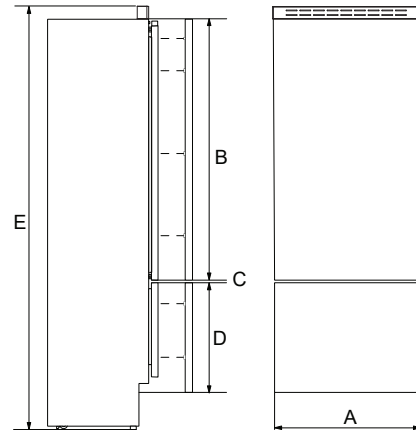
### Panels Dimensions Single Bottom - Drawer

Panels can have thickness ranging between 3/4" (18 mm) and 1<sup>1</sup>/<sub>8</sub>" (28 mm).

Door panels can have a maximum weight 19 kg (42 lbs) and drawer panels may be a maximum weight of 9 kg (20 lbs).

Exceeding these weights could void your warranty for any service issues which can be attributed to overweight panels.

The hinging mechanism on refrigerator is considered to be 'Zero-clearance'. The door and drawer widths specified below assume the minimum niche width is being used and a 1/8" (3.5 mm) reveal is desired around the panels. Adjust your panel dimensions accordingly to your own design criteria considering your niche width and your reveal. Minimum distance should not be less than 1/16" (1.5 mm).



- |  |  |
|--|--|
| A. 29 <sup>7</sup> / <sub>8</sub> " (759 mm)   | D. 25 <sup>3</sup> / <sub>8</sub> " (645 mm) |
| B. 54 <sup>3</sup> / <sub>16</sub> " (1377 mm) | E. 84" (2134 mm)                             |
| C. 1/4" (6 mm)                                 |  |

### Door panel:

Width: 29<sup>7</sup>/<sub>8</sub>" (759 mm)

Height: 54<sup>3</sup>/<sub>16</sub>" (1377 mm)

### Drawer panel:

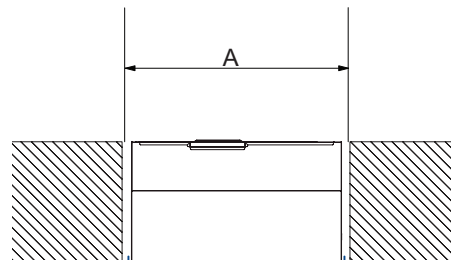
Width: 29<sup>7</sup>/<sub>8</sub>" (759 mm)

Height: 25<sup>3</sup>/<sub>8</sub>" (645 mm)

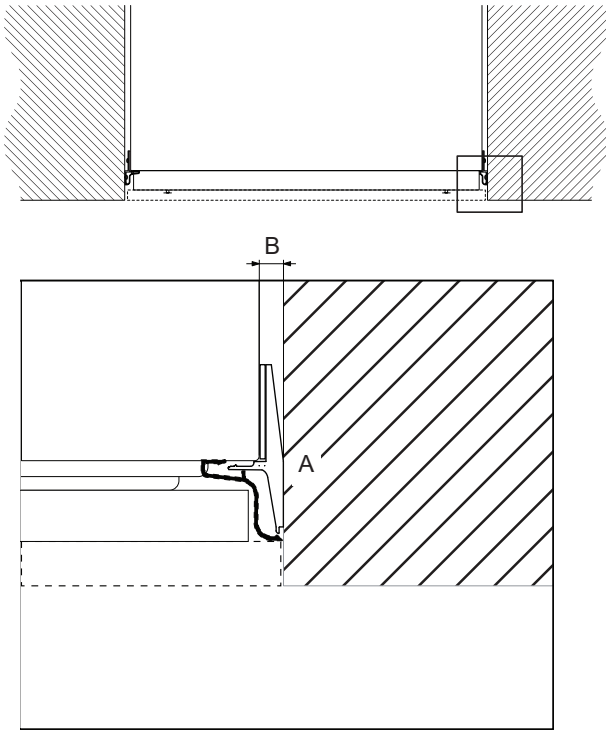
If you want a 6" toe kick height then your bottom drawer panel height would be 22".

## Panel Mounting

### Preparation of Door Panels



- A. 30" (762 mm)



A. Lateral Connection Kit

B. 1/2" (13 mm)

The dimensions of the panels are indicated in the table and drawings on below pages.

According to the requirements for aligning with other kitchen structures, the door panel can be higher than the upper edge of the refrigerator door, and the drawer panel can be lower than the edge of the drawer.

The panels must be mounted using special brackets which attach to adjustable devices provided on the door and drawer and with brackets that anchor and adjust the panel's vertical direction.

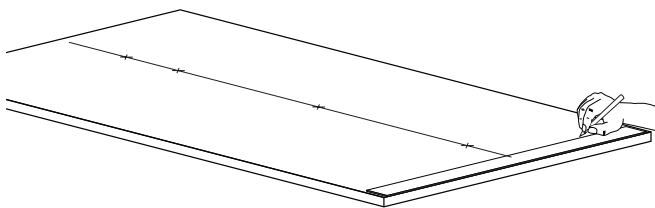
Brackets and fixing screws are provided with the refrigerator and must be applied to the panel as indicated.

**Follow the instructions:**

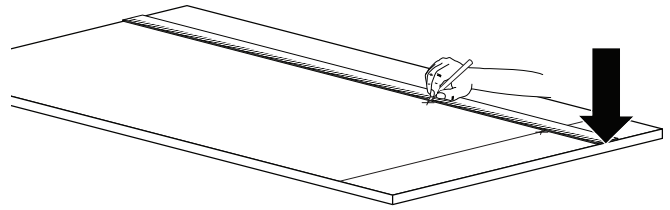
To prepare the panels to be mounted on the refrigerator, follow these steps, working on the back of the panel.

**Door Panel**

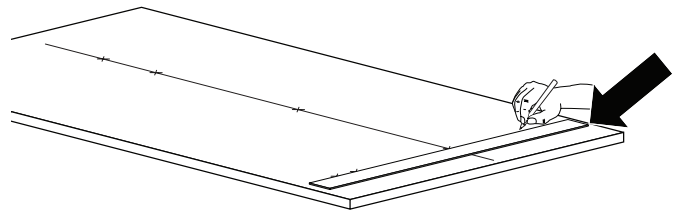
- Draw a vertical center line on the panel from top to bottom.



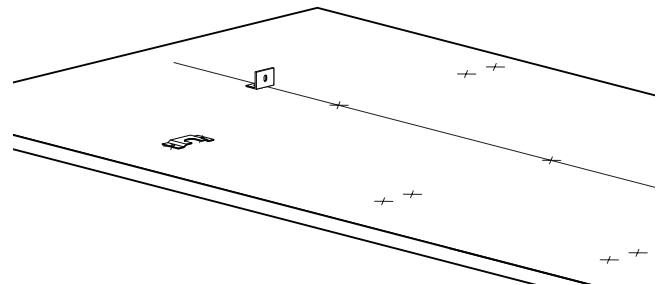
- Starting from the bottom edge of the panel, mark the position of the brackets.



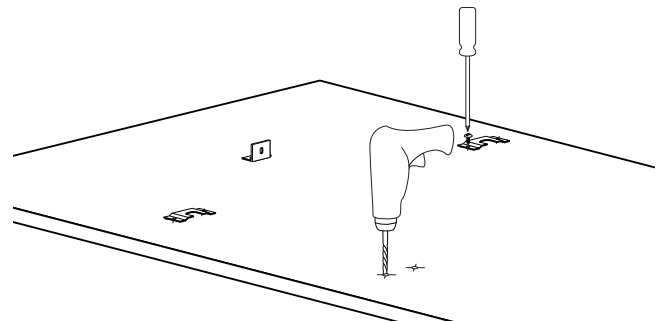
- Mark the external and then the internal hole.



- Position the brackets on each set of marks to make sure they are aligned, if you choose to drill small pilot holes for the screws pay special attention to not pass through the panel entirely.

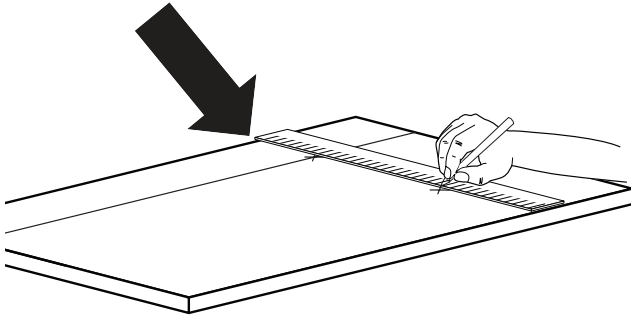


- Screw the brackets in place.

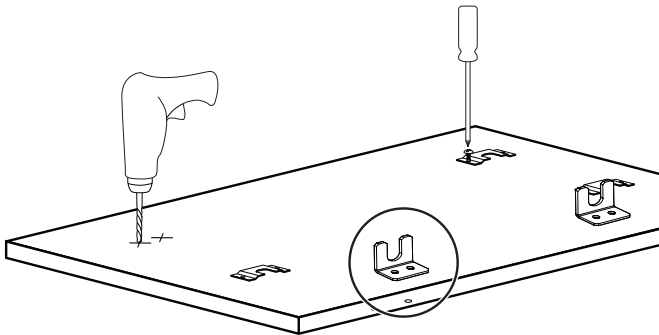


## Drawer Panel

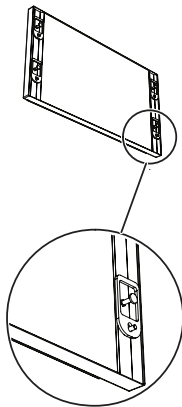
- When preparing the Drawer Panel, follow the same instructions as per the door panel, but make sure measurements are taken starting from the top edge.



The height-adjustment support brackets are oriented the opposite way.



- Prepare the refrigerator door (and drawer(s) if applicable) for panel mounting by threading the shoulder bolts into the recessed receivers and the set screws into the other hole. Ensure the end with the hex key socket is threaded into the door and not on the visible end. Thread this in far enough that it is flush with refrigerator door face so as not to interfere with hanging the panel. You will adjust these later from the inside of the door and drawer.

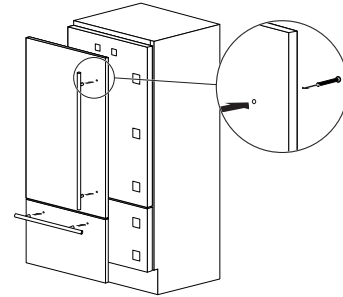


## Attaching Door Handles

**NOTE:** Handles will have to be mounted on the panels before they are applied to the refrigerator.

**Follow the instructions:**

- Drill two holes on the back of the panels.
- Depending on the style of panel, it may be necessary to create tapered countersinks for the screw heads.



## NOIR™ Style Door Handle

**BEFORE YOU BEGIN:** The handle and handle mounting hardware must be installed before installing the custom wood panel. A qualified cabinet maker must perform the installation.

**IMPORTANT:**

- This kit is designed to be used only with custom wood panels with thickness of 3/4" (18 mm) to 1 1/8" (28 mm).
- To avoid handle damage, lift the door and drawer panel(s) by the edges.

**TOOLS NEEDED:** Gather the required tools and parts before starting installation. Read and follow the instructions provided with any tools listed here.

- |                    |                        |
|--------------------|------------------------|
| ■ Tape measure     | ■ 3/4" forstner bit    |
| ■ Pencil           | ■ Torx T30+ bit        |
| ■ Cordless drill   | ■ 11/32" socket driver |
| ■ 1/4" Drill bit   | ■ Torque Wrench        |
| ■ 11/32" Drill bit |                        |

**PARTS SUPPLIED WITH HANDLE:**

- |                            |                               |
|----------------------------|-------------------------------|
| ■ Handle - freezer drawer  | ■ Handle - refrigerator door* |
| ■ Screws - 1/4-20 x 0.791" |                               |
|                            | ■ Hex nuts - #8-32 x 0.124"   |

**Install the Refrigerator Handle(s)**

**IMPORTANT:**

- Verify panel dimensions before drilling any holes.
- For hole locations and the spacing requirements of NOIR™ handle mounting, refer Figure 1.

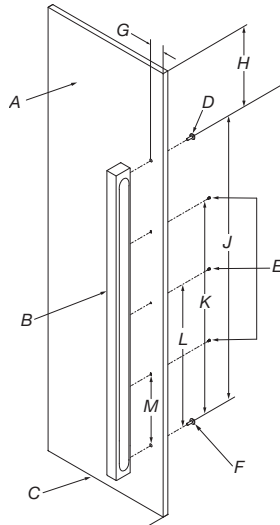
**NOTE:** Figure 1 represents a Side by Side (left) freezer panel, a French door (left) refrigerator panel, a bottom mount left swing refrigerator panel, and column refrigerator/freezer panel. Mirror the hole pattern on the opposite door panel as required.

1. Mark the hole locations as shown in Figure 1.
2. Clearance is required for the handle fasteners on the back side of the panel. Flip the panel over to reveal the backside of the panel. Using a 3/4" forstner bit, drill a 9/32" (7 mm) deep counterbore at the top and bottom hole locations as shown in Figure 2 - Detail X.
3. Drill a 5/16" (8.2 mm) holes at the top and bottom locations shown in Figure 2 - Detail X.

†TORX and T30 are trademarks of Acument Intellectual Properties, LLC.

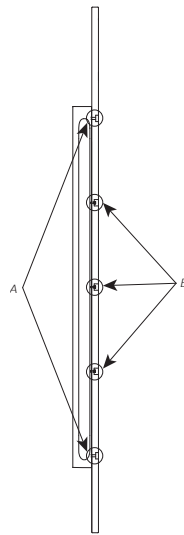
\*Numbers may vary depending on refrigerator model and handle type.

4. Using a 3/4" forstner bit, drill a 7/16" (11.2 mm) deep counterbore at the middle three locations shown in Figure 2 - Detail Y.
5. Drill a 1/4" (6.2 mm) hole at the middle three locations as shown in Figure 2 - Detail Y.  
**NOTE:** Confirm hole depth by temporarily placing fastener into the hole.
6. Place the handle on the front of the panel. Using Torx T30 screwdriver, secure the handle to panel by tightening the two 1/4" screws on handle ends. Recommended screw torque is 28 lb-in. Fasten three #8-32 nuts to the middle three locations. Nuts should be snug.  
**NOTE:** Do not overtighten. Do not use impact driver.
7. If you have two refrigerator doors or a side-by-side doors, repeat steps 1 through 6 to install the other handle.



**Figure 1 - Refrigerator/freezer door**

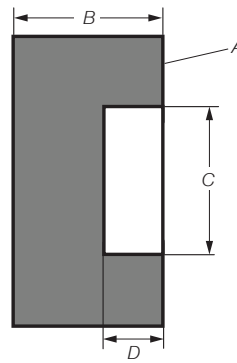
- |                                 |                      |
|---------------------------------|----------------------|
| A. Door panel                   | G. 1 13/16" (46 mm)  |
| B. NOIR™ handle                 | H. 5 5/8" (142 mm)   |
| C. Bottom surface of door panel | I. 38 1/8" (968 mm)  |
| D. 1/4-20 X 0.791" Screw (1)    | J. 28 5/18" (726 mm) |
| E. #8-32 X 0.124" Hex nut (3)   | K. 19" (241 mm)      |
| F. 1/4-20 X 0.791" screw (1)    | L. 9 1/2" (241 mm)   |



**Figure 2 - Cross sectional view**

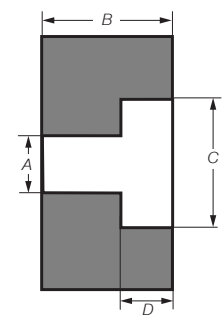
- A. 2X refer detail 'X'      B. 3X refer detail 'Y'

**Detail 'X'**



**Step '2'**

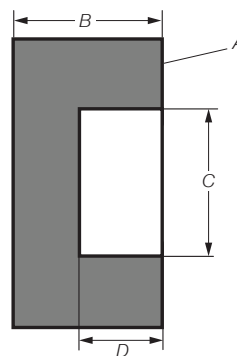
- A. Backside of panel  
B. 3/4" (19.05 mm)  
C. 3/4" (19.05 mm)  
D. 1/4" (7 mm)



**Step '3'**

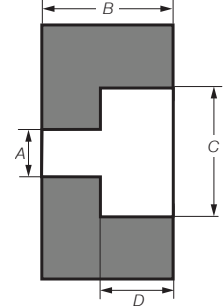
- A. 5/16" (8.3 mm)  
B. 3/4" (19.05 mm)  
C. 3/4" (19.05 mm)  
D. 1/4" (7 mm)

**Detail 'Y'**



**Step '4'**

- A. Backside of panel  
B. 3/4" (19.05 mm)  
C. 3/4" (19.05 mm)  
D. 7/16" (11.2 mm)



**Step '5'**

- A. 1/4" (6.2 mm)  
B. 3/4" (19.05 mm)  
C. 3/4" (19.05 mm)  
D. 7/16" (11.2 mm)

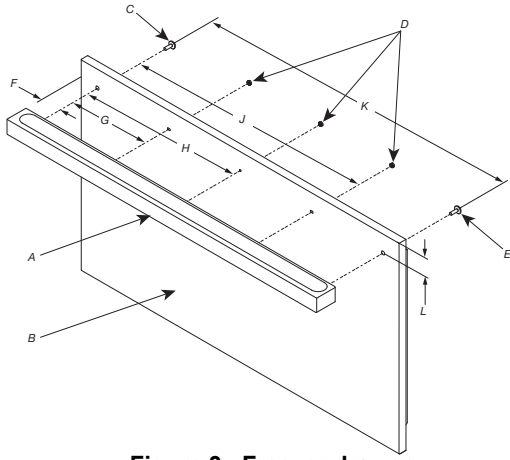
### Install the Freezer Drawer Handle

#### IMPORTANT:

- Verify panel dimensions before drilling any holes.
  - Verify before drilling that the hole pattern is at center.
1. Clearance is required for the handle fasteners on the backside of the panel. Flip the panel over to reveal the backside of the panel. Using a 3/4" forstner bit, drill a 9/32" (7 mm) deep counterbore at the left and right hole locations as shown in Figure 4 - Detail X.
  2. Drill a 5/16" (8.2 mm) hole at the left and right locations as shown in Figure 4 - Detail X.
  3. Using a 3/4" forstner bit, drill a 7/16" (11.2 mm) deep counterbore at the middle three locations as shown in Figure 4 - Detail Y.
  4. Drill a 1/4" (6.2 mm) hole at the middle three locations as shown in Figure 4 - Detail Y.  
**NOTE:** Confirm hole depth by temporarily placing fastener into the hole.
  5. Place the handle on the front of the panel. Using Torx T30 screwdriver, secure the handle to panel by tightening the two 1/4" screws on the handle ends. Recommended screw torque is 28 lb/in. Fasten three #8-32 nuts to the middle three locations. Nuts should be snug.

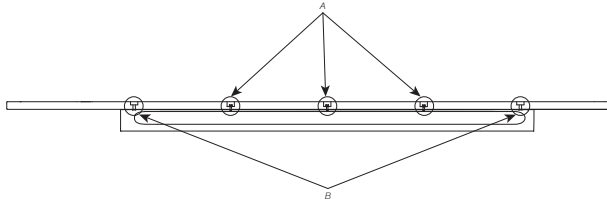


**NOTE:** Do not overtighten. Do not use impact driver.



**Figure 3 - Freezer drawer**

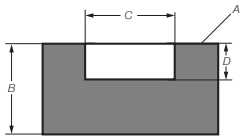
- |  |   |
|--|---|
| A. NOIR handle                             | G. 7 <sup>11</sup> / <sub>16</sub> " (170 mm) |
| B. Door panel                              | H. 13 <sup>3</sup> / <sub>8</sub> " (340 mm)  |
| C. 1/4-20 X 0.791" Screw (1)               | I. 20 <sup>1</sup> / <sub>8</sub> " (511 mm)  |
| D. #8-32 X 0.124" Hex nut (3)              | J. 26 <sup>1</sup> / <sub>16</sub> " (681 mm) |
| E. 1/4-20 X 0.791" Screw (1)               | K. 2" (51 mm)                                 |
| F. 1 <sup>5</sup> / <sub>8</sub> " (41 mm) |   |



**Figure 4 - Cross sectional view**

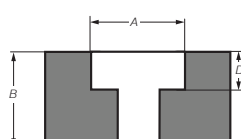
- A. 3X refer detail 'Y'      B. 2X refer detail 'X'

**Detail 'X'**



**Step '2'**

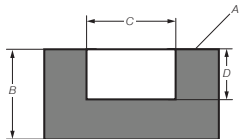
- A. Backside of panel  
 B. 3/4" (19.05 mm)  
 C. 3/4" (19.05 mm)  
 D. 1/4" (7 mm)



**Step '3'**

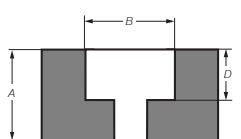
- A. 3/4" (19.05 mm)  
 B. 3/4" (19.05 mm)  
 C. 5/16" (8.3 mm)  
 D. 1/4" (7 mm)

**Detail 'Y'**



**Step '4'**

- A. Backside of panel  
 B. 3/4" (19.05 mm)  
 C. 3/4" (19.05 mm)  
 D. 7/16" (11.2 mm)



**Step '5'**

- A. 3/4" (19.05 mm)  
 B. 3/4" (19.05 mm)  
 C. 1/4" (6.2 mm)  
 D. 7/16" (11.2 mm)

**RISE™ Style Door Handle**

**BEFORE YOU BEGIN:** The handle and handle mounting hardware must be installed before installing the custom wood panel. A qualified cabinet maker must perform the installation.

**IMPORTANT:**

- This kit is designed to be used only with custom wood panels with thickness of 3/4" (18 mm) to 1<sup>1</sup>/<sub>8</sub>" (28 mm).
- To avoid handle damage, lift the door and drawer panel(s) by the edges.

**TOOLS NEEDED:** Gather the required tools and parts before starting installation. Read and follow the instructions provided with any tools listed here.

- |                    |                        |
|--------------------|------------------------|
| ■ Tape measure     | ■ 3/4" forstner bit    |
| ■ Pencil           | ■ Torx T30+ bit        |
| ■ Cordless drill   | ■ 11/32" socket driver |
| ■ 1/4" Drill bit   | ■ Torque Wrench        |
| ■ 11/32" Drill bit |                        |

**PARTS SUPPLIED WITH HANDLE:**

- |                           |                               |
|---------------------------|-------------------------------|
| ■ Handle - freezer drawer | ■ Handle - refrigerator door* |
| ■ Screws - 1/4-20 x 1.5"  |                               |

**Install the Refrigerator Handle(s)**

**IMPORTANT:**

- Verify panel dimensions before drilling any holes.
- For hole locations and the spacing requirements of RISE™ handle mounting, refer Figure 1.

**NOTE:** Figure 5 represents a Side by Side (left) freezer panel, a French door (left) refrigerator panel, a bottom mount left swing refrigerator panel, and column refrigerator/freezer panel. Mirror the hole pattern on the opposite door panel as required.

1. Clearance is required for the handle fasteners on the backside of the panel. Flip the panel over to reveal the backside of the panel. Using a 3/4" forstner bit, drill a 1/4" (7 mm) deep counterbore at the top and bottom hole locations as shown in Figure 6 - Detail X.
2. Drill a 5/16" (8.3 mm) hole at the top and bottom locations shown in Figure 6 - Detail X.

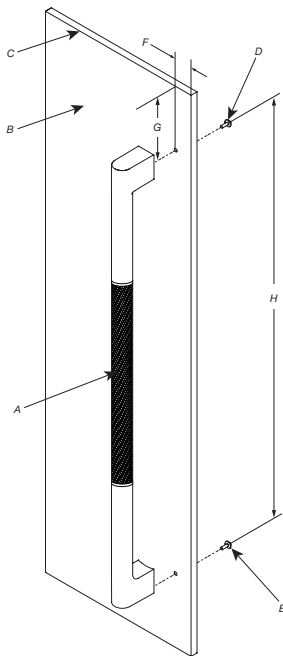
**NOTE:** Confirm hole depth by temporarily placing fastener into the hole.

3. Place the handle on the front of the panel. Using Torx T30 screwdriver, secure the handle to panel by tightening the two 1/4" screws on handle ends. Recommended screw torque is 28 lb/in.

**NOTE:** Do not overtighten. Do not use impact driver.

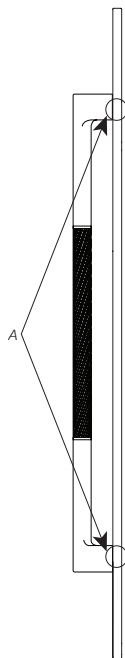
4. If you have two refrigerator doors or a side-by-side doors, repeat steps 1 through 3 to install the other handle.

†TORX and T30 are trademarks of Acument Intellectual Properties, LLC.  
 \*Numbers may vary depending on refrigerator model and handle type.



**Figure 5 - Refrigerator/freezer door**

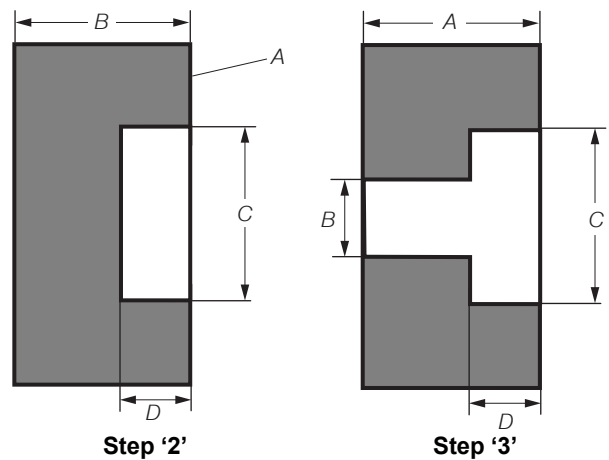
- |                              |                            |
|------------------------------|----------------------------|
| A. RISE™ handle              | E. 1/4-20 X 1.5" Screw (1) |
| B. Door panel                | F. 1 13/16" (46 mm)        |
| C. Top surface of door panel | G. 5 11/16" (144 mm)       |
| D. 1/4-20 X 1.5" Screw (1)   | H. 37 7/8" (963 mm)        |



**Figure 6 - Cross sectional view**

- A. 2X refer detail 'X'

**Detail 'X'**



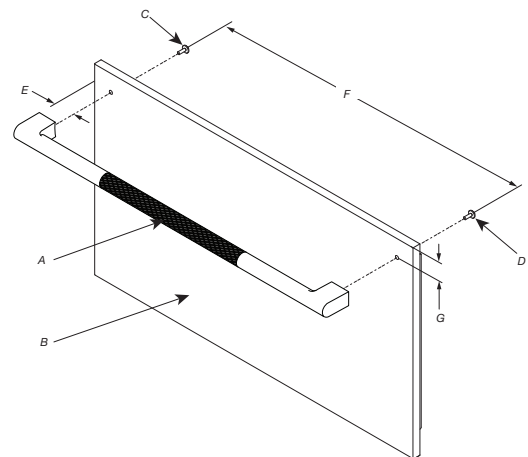
- |                      |                    |
|----------------------|--------------------|
| A. Backside of panel | A. 3/4" (19.05 mm) |
| B. 3/4" (19.05 mm)   | B. 5/16" (8.3 mm)  |
| C. 3/4" (19.05 mm)   | C. 3/4" (19.05 mm) |
| D. 1/4" (7 mm)       | D. 1/4" (7 mm)     |

**Install the Freezer Drawer Handle**

**IMPORTANT:**

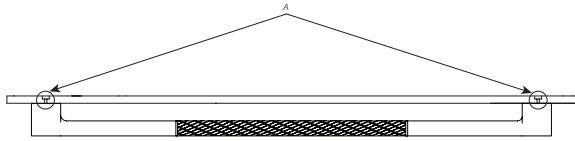
- Verify panel dimensions before drilling any holes.
  - Verify before drilling that the hole pattern is at center.
1. Clearance is required for the handle fasteners on the backside of the panel. Flip the panel over to reveal the backside of the panel. Using a 3/4" forstner bit, drill a 1/4" (7 mm) deep counterbore at the left and right hole locations as shown in Figure 8 - Detail X.
  2. Drill a 5/16" (8.3 mm) hole at the left and right locations as shown in Figure 8 - Detail X.
  3. Place the handle on the front of the panel. Using Torx T30 screwdriver, secure the handle to panel by tightening the two 1/4" screws on the handle ends. Recommended screw torque is 28 lb/in.

**NOTE:** Do not overtighten. Do not use impact driver.



**Figure 7 - Freezer drawer**

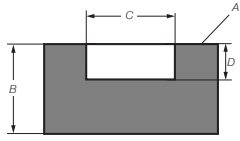
- |                            |                     |
|----------------------------|---------------------|
| A. RISE™ handle            | E. 1 1/16" (43 mm)  |
| B. Drawer panel            | F. 26 5/8" (676 mm) |
| C. 1/4-20 X 1.5" Screw (1) | G. 2" (51 mm)       |
| D. 1/4-20 X 1.5" Screw (1) |                     |



**Figure 8 - Cross sectional view**

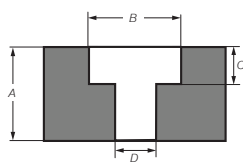
A. 2X refer detail 'X'

**Detail 'X'**



**Step '2'**

- A. Backside of panel
- B. 3/4" (19.05 mm)
- C. 3/4" (19.05 mm)
- D. 1/4" (7 mm)



**Step '3'**

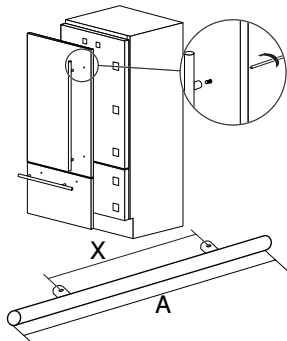
- A. 3/4" (19.05 mm)
- B. 3/4" (19.05 mm)
- C. 1/4" (7 mm)
- D. 5/16" (8.3 mm)

- Place the handle on top of the holes and insert the screws through the washer, the panel, the standoff and into the threaded receivers in the handle.
- Place firmly but do not over tighten as damage may occur to the handle or the panel.

**Install Door & Drawer Handles**

Follow the below steps to install handles on doors and drawers:

- Insert the handle ends onto the supports already installed on the door and the drawer.



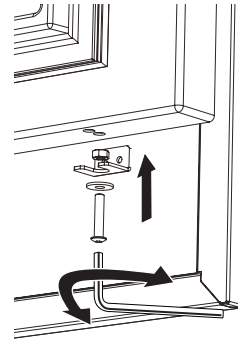
- Tighten the Allen screws available on the handle.  
**IMPORTANT:** The screws must be tightened by 1/8" (2.5 mm) hex key or bit.

**Attaching Door Panels and Bottom Drawer**

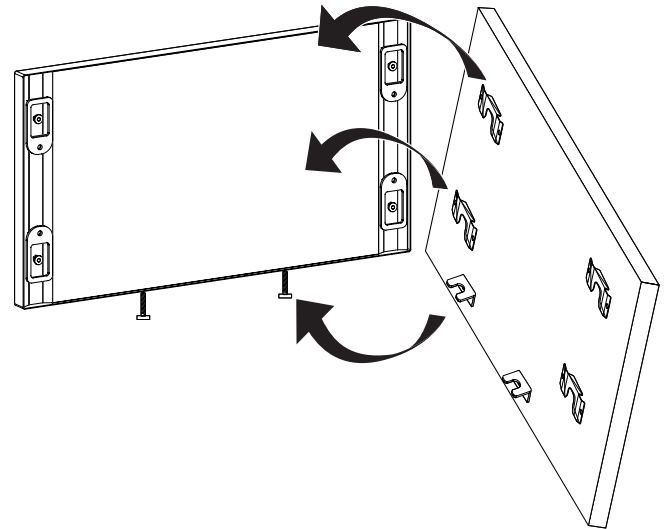
**NOTE:** Once all brackets and handles are attached to the panels, you can start installation of the bottom drawer.

**Follow the instructions:**

- Do not tighten fully tighten the screw to the receiver.

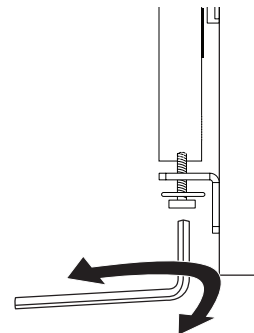


- Put the bottom drawer panel starting from the adjustment bolts on the bottom.

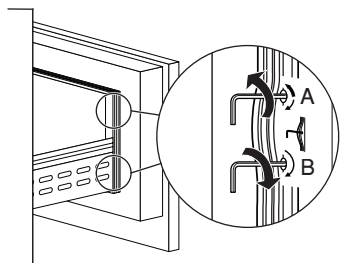


- It is now possible to align panels to adjacent cabinets in height using the lower alignment bolts and brackets, tightening or untightening the screws into position as needed. With the screw not fully tightened, move the panel sideways manually to align it to the other panels on the unit or other adjacent structures.

Set the bottom adjustment bolts using the lock nut once you are happy with the height alignment.

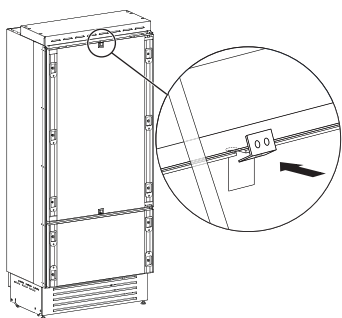


- Depth alignment: working from the inside of the drawer, after lifting up the magnetic seal or rotating the cover plate where necessary, adjust the panel position in the Z-direction by adjusting the shoulder bolts and setscrews with the 4 mm hex key in conjunction with each other finally locking each mounting position in place.

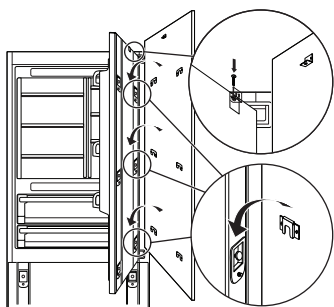


A. Adjustment Reglage  
B. Lock Blocage

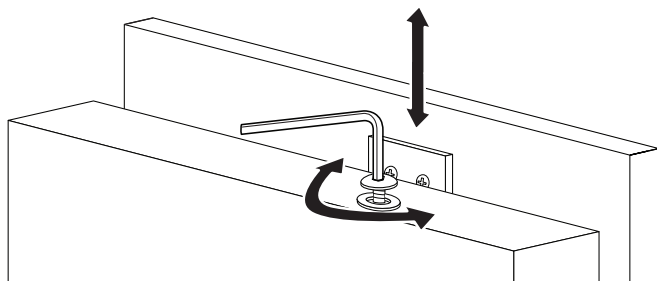
- Attach the panel to the fixing devices starting from the top aligning brackets.



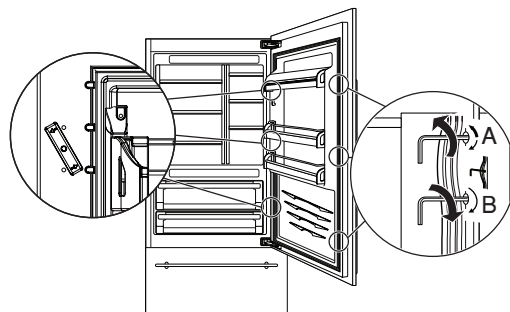
- At this point, alignment between the panel and adjacent cabinets can be adjusted using the alignment brackets and small brackets.



- Vertical alignment: tighten or loosen the screw in the brackets to raise or lower the panel.



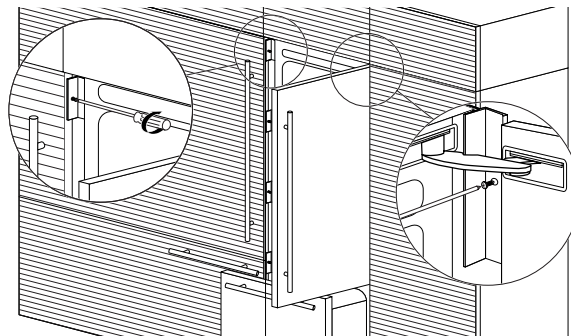
- Depth alignment: working from the inside of the door, after lifting up the magnetic seal on the handle side and rotating the plastic covers on the hinge side, adjust the panel position in the Z-direction by adjusting the shoulder bolts and setscrews with the 4 mm hex key in conjunction with each other finally locking each mounting position in place.



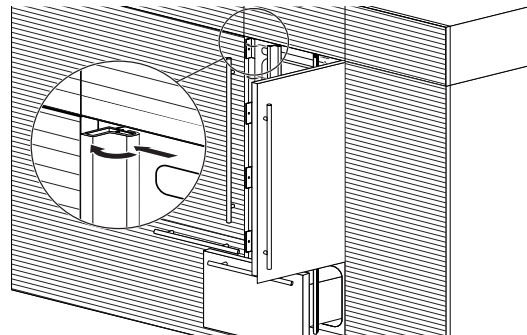
A. Adjustment Reglage  
B. Lock Blocage

**NOTE:** Once the front panel has been adjusted, check that the gasket has been repositioned correctly to assure the door/drawer are closing correctly and avoid operational errors of the unit.

- To ensure proper ventilation for your refrigerator, allow for 5 mm of space behind the refrigerator to prevent overheating.
- To avoid floor damage, make sure levelers are raised (not touching floor) and refrigerator is on rollers before moving.
- Attach anti-tip brackets (see page 8).
- Attach upper grill mounting brackets and upper grille.



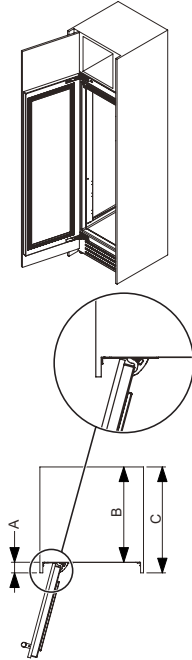
- Insert one edge of each (B) 'Profile Trim Cover' into each of the (A) 'Profile Connection Trim' pieces and push firmly until a 'click' is heard. See image on top left of page 13.



## Maximum cabinet depth over “Integrated” refrigerator with single door panel

It is possible to design a panel which will be the same for the structure where refrigerator is going to be place and the cabinet on the top of the same structure.

In this case, the total depth of the cabinet without the door (above the refrigerator) must not exceed the total depth of the refrigerator itself.



- A.  $1\frac{7}{8}$ " (47 mm) + front panel thickness
- B. 23" (585 mm)
- C.  $25\frac{5}{8}$ " (650 mm)

This will allow the panel attached to the refrigerator door to open correctly without interference during its rotation up to 105°.

## Leveling

### **⚠WARNING**

#### **Excessive Weight Hazard**

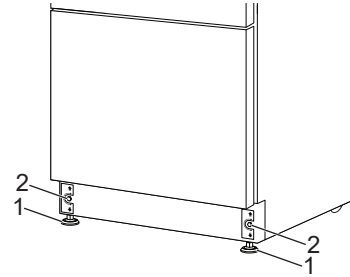
**Use two or more people to move and install or uninstall appliance.**

**Failure to do so can result in back or other injury.**

**IMPORTANT:** All four leveling legs must contact the floor to support and stabilize the full weight of refrigerator. Rollers are for moving the refrigerator, not for permanent support.

After moving the refrigerator to its final location:

1. Use a  $1\frac{1}{16}$ " (17 mm) socket driver to turn the leveling bolts clockwise or counterclockwise to adjust the legs to the floor as shown. The rollers should be off the floor.



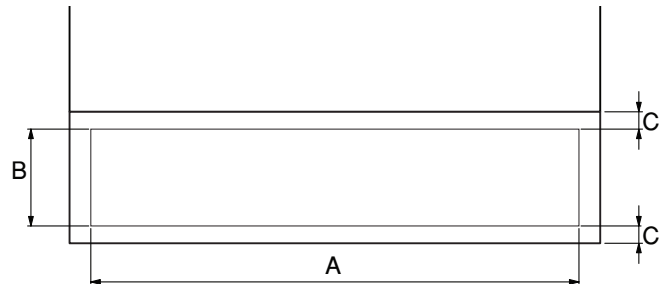
2. Adjust the leveling legs to level and align the refrigerator from left to right and front to back so that the refrigerator is level and aligned with the cabinets.
3. Continue adjusting the leveling legs until the top of the refrigerator is making contact with the bottom of the solid soffit, or the bottom of the anti-tip boards, if anti-tip boards were used. Do not crush the compressor cover.

**IMPORTANT:** Adjust in small increments to keep from damaging the cabinet trim and causing problems with the door alignment or top grille fit.

## Install Base Grille

Grille assures ventilation which is placed in front lower portion of the refrigerator.

If kickplate is present, then it must be designed to maintain satisfactory air flow, as described in below drawing.



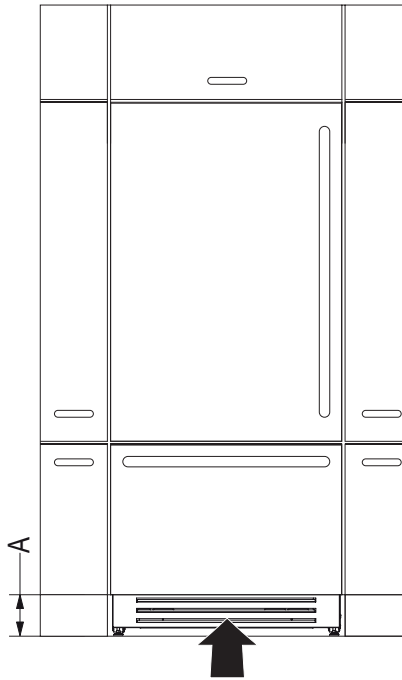
A	$27\frac{15}{16}$ " (710 mm)
B	>4" (100 mm)
C	$\frac{3}{8}$ " (10 mm)

Total area is half of the kickplate area, so holes can be of any size and shape.

For better air flow, advised to remove front grille of the refrigerator.

Grille is attached with refrigerator by means of magnetic plates which will help in removal and regular cleaning operations for customer.

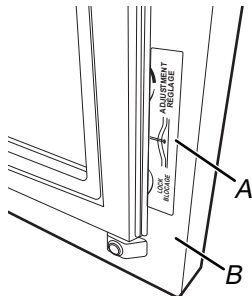
**NOTE:** Air inlet and outlet must not be blocked and condenser must be cleaned on regular basis.



A. 4" (100 mm)

## Complete Installation

1. Remove the label after the installation is done.



A. Label  
B. Door

2. Turn the water supply line valve to the "Open" position.
3. Turn the refrigerator switch to the ON position. See "Power On/ Off Switch" in the Use & Care Guide for instructions. Wait a few minutes. Check the water line connections for leaks.
4. Remove all boxes, parts packages and packing materials from the interior of the refrigerator. See the "Cleaning" section in the Use & Care Guide for instructions. Remove the film and cardboard from the grille and doors or door frame, depending on your model.
5. Install the shelves and bins in the refrigerator and freezer compartments.
6. The controls are preset at the factory to the midpoint setting. Check that the compressor is operating properly and that all the lights are working.
7. Flush the water system before use. See "Water System Preparation."

## REFRIGERATOR FEATURES

### Operating Your Refrigerator

#### How to use the refrigerator with electronic control

Your refrigerator is equipped with a cutting-edge and user-friendly electronic temperature control located on the front panel of the refrigerator door.



#### Date

The display will show the date in the format (day:month:year).

By touching the display you can modify the settings.



#### Time

The display shows the hours and minutes in the format hh:mm.

This function selects the display at 12 hours or 24 hours.



#### Celsius or Fahrenheit degrees

This function permits visualizing the temperature in Centigrade or Fahrenheit degrees. Normally, the refrigerator is set for visualization in centigrade degrees.



#### Language

To set the language of the refrigerator, simply touch the settings button on the display.



#### Reset

It gives the possibility to restore the base settings that were set in the factory, cancelling all the changes that has been made from there onward.



#### Demo Mode

It is possible to simulate the functioning of the refrigerator, for showroom display or for fairs.

Demo Mode function works when the compartments are at the set temperatures.



#### Maintenance

Units requires, for a correct operation, the cleaning of the ventilation grille, of the filter and the condenser. The default setting of the unit is "Warning disabled".



#### Service

The service function is reserved for the assistance.



#### Info System

The function Info System shows the data of the products for example the software's code, serial number and the factory's codes of the refrigerator.

# Water and Ice Dispensers

Follow the instructions for the hygienic safety of the water dispensed.

- When using the refrigerator for the first time and every time the filter is changed, it is recommended to let the water flow in the circuit using the "Manual Cleaning" and discard the ice produced in the first 24 hours.
- If the water dispenser has not been used for more than 4–5 days, it is advisable to clean the circuit and run off the first liter of water.
- Reposition the removable water dispenser (if present), ensuring your hands are hygienically clean.
- Clean the ice drawer regularly by using only drinking water.
- The filter must be changed when indicated on the control panel or when the ice/water dispenser has not been used for more than 30 days.
- With each filter replacement, sanitize the ice and water distribution system using a food grade disinfectant (with sodium hypochlorite), which does not change the characteristics of the materials. Rinse with at least 2 liters of water before use.
- Only original spare parts supplied by the manufacturer should be used when replacing components in the ice and water dispenser.
- Any work on the refrigerator must be carried out by a qualified technician or the After-sales Service.
- Clean water tanks if they have not been used for 48 hours; flush the water system connected to a water supply if water has not been drawn for 5 days.
- If the refrigerator is left empty for long periods, switch off, defrost, clean, dry, and leave the door open to prevent mould developing within the appliance.

## Ice Maker



### NOTE:

- If the ice is not used frequently is advisable to empty the ice bin once every 8-10 days. It is normal that some ice cubes stick to one another. If the ice is not frequently used, the older cubes can become opaque, and will have a strange flavour and become smaller.
- The Ice maker automatically deactivates if the Vacation function is activated. When the Ice maker is started for the first time, it is recommended to dispose of the first full bin of ice.
- If the equipment has been switched off for a month or more, it is recommended to perform a water and filter cleaning cycle.

**IMPORTANT:** The ice maker will continue to operate even when the ice bin is not in position.

- To activate the Ice Maker after installation of the appliance touch the function icon and then and then the ice maker icon from the functions.
- Allow 24 hours to produce the first batch of ice.
- The production is of 10 cubes per cycle and approximately 10 cycles in 24 hours.
- Output depends on the temperature set in the freezer, the room temperature and the frequency of door opening.
- If the refrigerator is operating without being connected to the water system, make sure that the Ice maker is deactivated.

- The Ice Maker produces ice until the ice tray is full and will automatically stop once the maximum level is reached.
- With the SuperIce function, it is possible to increase the quantity of ice produced a 24 hours, while the Set Cube Size function permits selection of the size of the produced ice cubes.
- The ice cube container should be cleaned occasionally with warm water to prevent the odor. Make sure that you switch off the ice maker before clearing the container. Rinse out and wipe dry.
- Check the contents of the freezer for spoiled or out-of-date food. All odorous foods should be wrapped thoroughly or stored in airtight containers to prevent the build-up of odors.

### Operating noises

- Grumbling: refrigerator is running. Fan in the recirculating air system is running.
- Bubbling, humming or gurgling noises: refrigerant is flowing through the tubes.
- Clicking: motor is switching on or off. Solenoid valve on the water connection is opening/closing.
- Rumbling: ice cubes are falling into the ice cube container.

**IMPORTANT:** Do not place any bottles or food for rapid cooling in the ice cube container. The ice maker may become blocked and be damaged.

# SÉCURITÉ DU RÉFRIGÉRATEUR

## Votre sécurité et celle des autres sont très importantes.

Nous donnons de nombreux messages de sécurité importants dans ce manuel et sur votre appareil. Assurez-vous de toujours lire tous les messages de sécurité et de vous y conformer.



Voici le symbole d'alerte de sécurité.

Ce symbole d'alerte de sécurité vous signale les dangers potentiels de décès et de blessures graves.

Tous les messages de sécurité suivront le symbole d'alerte de sécurité et le mot « DANGER » ou « AVERTISSEMENT ». Ces mots signifient :

**▲ DANGER**

**Risque possible de décès ou de blessure grave si vous ne suivez pas immédiatement les instructions.**

**▲ AVERTISSEMENT**

**Risque possible de décès ou de blessure grave si vous ne suivez pas les instructions.**

Tous les messages de sécurité vous diront quel est le danger potentiel, comment réduire le risque de blessure et ce qui peut se produire en cas de non-respect des instructions.

## INSTRUCTIONS IMPORTANTES DE SÉCURITÉ

**AVERTISSEMENT :** Afin de réduire le risque d'incendie, de décharge électrique ou de blessures corporelles lors de l'utilisation de cet appareil, observer certaines précautions fondamentales, notamment :

- Les enfants doivent être surveillés afin de s'assurer qu'ils ne jouent pas avec l'appareil.
- Cet appareil ne convient pas à une utilisation par des personnes (y compris des enfants) à capacités physiques, sensorielles ou mentales réduites, ou possédant un manque d'expérience et de connaissances, à moins qu'elles ne soient placées sous supervision ou qu'elles aient reçu des instructions concernant l'utilisation de l'appareil par une personne responsable de leur sécurité.
- Ne pas utiliser de rallonge.
- Si le cordon d'alimentation est endommagé, il doit être remplacé par le fabricant, son agent de réparation ou toute autre personne qualifiée afin d'éviter tout danger.
- Brancher sur une alimentation en eau potable uniquement.
- Cet appareil est destiné à un usage domestique et à d'autres usages similaires comme : coins cuisine réservés au personnel des boutiques, des bureaux et d'autres environnements professionnels; maisons d'hôtes, ainsi que par les clients d'hôtel, de motels et d'autres installations d'hébergement; gîtes touristiques; et banquets et autres utilisations non commerciales semblables.
- Ne pas entreposer de substances explosives comme des aérosols avec agent propulseur inflammable dans cet appareil.
- Ne pas utiliser de pièces de remplacement qui n'ont pas été recommandées par le fabricant (c.-à-d., pièces fabriquées à la maison à l'aide d'une imprimante 3D).
- Garder les événements à l'intérieur de l'enceinte de l'appareil ou de la structure encastrée exempte d'obstacles.
- Ne pas utiliser des appareils mécaniques ou autres moyens pour accélérer le processus de dégivrage, autre que ceux recommandés par le fabricant.
- Ne pas endommager le circuit réfrigérant.
- Ne pas utiliser des appareils électriques à l'intérieur des compartiments d'aliments de l'appareil, à moins qu'ils soient de type recommandé par le fabricant.
- L'ensemble de machine à glaçons peut être ajouté à certains modèles. Consulter la plaque signalétique située à l'intérieur du compartiment pour les aliments de l'appareil pour obtenir les informations concernant le modèle d'ensemble de machine à glaçons.
- L'installation de la canalisation d'eau et de la machine à glaçons doit être effectuée par un technicien de service qualifié. Consulter les instructions d'installation fournies avec l'ensemble de machine à glaçons pour tous les détails.

**CONSERVER CES INSTRUCTIONS**



## Mise au rebut du vieux réfrigérateur

**AVERTISSEMENT : Un enfant peut rester piégé. Avant de jeter votre vieux réfrigérateur ou congélateur :**

- Enlever les portes.
- Laisser les tablettes en place de sorte que les enfants ne puissent pas y pénétrer facilement.

### **⚠ AVERTISSEMENT**

#### **Risque de suffoquer**

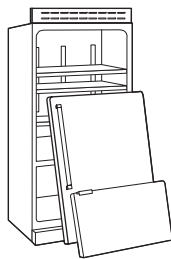
**Enlever les portes ou le couvercle de votre vieil appareil.**

**Le non-respect de cette instruction peut causer un décès ou des lésions cérébrales.**

**IMPORTANT :** Le risque qu'un enfant puisse se retrouver coincé et suffoquer n'est pas chose du passé. Les réfrigérateurs jetés ou abandonnés restent dangereux, même s'ils ne restent à l'extérieur que pour « quelques jours ». Si l'ancien réfrigérateur doit être mis au rebut, suivre les instructions suivantes afin d'éviter les accidents.

#### **Informations importantes à connaître pour l'élimination du liquide réfrigérant :**

Jeter le réfrigérateur conformément aux règlements fédéraux et locaux. Les liquides réfrigérants doivent être évacués par un technicien en réfrigération accrédité EPA, conformément aux procédures établies.



## ENTRETIEN ET RÉPARATION

### Nettoyage

### **⚠ AVERTISSEMENT**



#### **Risque d'explosion**

**Risque d'incendie ou d'explosion.**

**Fluide frigorigène inflammable utilisé.**

**Ne pas utiliser d'appareils mécaniques pour dégivrer le réfrigérateur.**

**Ne pas perforer la tubulure de réfrigération.**

Les sections de réfrigération et de congélation se dégivrent automatiquement. Toutefois, nettoyer les deux compartiments environ une fois par mois afin d'éviter toute accumulation d'odeurs. Essuyer les renversements immédiatement.

#### **IMPORTANT :**

- Comme l'air circule entre les deux sections, toutes les odeurs formées dans une section seront transférées à l'autre. Les deux sections doivent être nettoyées avec soin pour éliminer les odeurs. Pour éviter le transfert d'odeurs et l'assèchement des aliments, envelopper ou recouvrir hermétiquement les aliments.
- Pour les modèles en acier inoxydable, l'acier inoxydable est résistant à la corrosion et non anticorrosion. Afin d'éviter l'oxydation de l'acier inoxydable, veiller à ce que les surfaces restent propres en suivant les instructions de nettoyage suivantes.

#### **Nettoyage du réfrigérateur :**

**REMARQUE :** Ne pas utiliser de nettoyeurs puissants ou abrasifs tels que les nettoyeurs à vitre en atomiseurs, nettoyeurs à récurer, liquides inflammables, acide chlorhydrique, cires nettoyantes, détergents concentrés, agents de blanchiment ou nettoyeurs contenant du pétrole sur les surfaces extérieures (portes et caisse de l'appareil), pièces en plastique, les garnitures intérieures et garnitures de portes ou sur les joints de portes. Ne pas utiliser d'essuie-tout, de tampons à récurer ou un autre outil de nettoyage abrasif.

1. Débrancher le réfrigérateur ou déconnecter la source de courant électrique.
2. Laver à la main, rincer et sécher les pièces amovibles et les surfaces internes soigneusement. Utiliser une éponge propre ou un linge doux et un détergent doux dans de l'eau tiède.
3. Nettoyer les surfaces extérieures.

**Métal peint :** Laver les parties métalliques extérieures à l'aide d'un chiffon doux ou d'une éponge douce et propre et d'un détergent doux dans de l'eau tiède. Rincer les surfaces avec une eau propre et tiède et sécher immédiatement afin d'éviter d'éventuelles taches laissées par l'eau.

**Acier inoxydable :** Laver les surfaces en acier inoxydable à l'aide d'un chiffon doux ou d'une éponge douce et propre et d'un détergent doux dans de l'eau tiède. Rincer les surfaces avec une eau propre et tiède et sécher immédiatement afin d'éviter d'éventuelles taches laissées par l'eau.

**REMARQUE :** Lors du nettoyage de l'acier inoxydable, toujours frotter dans le sens du grain afin d'éviter des égratignures.

## Nettoyage du condensateur

### **AVERTISSEMENT**



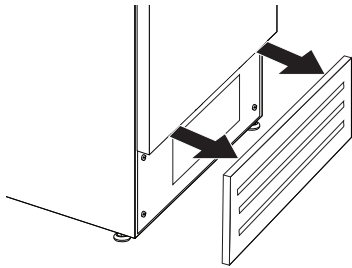
#### Risque d'explosion

**Risque d'incendie ou d'explosion causé par la perforation de la tubulure de réfrigération;**  
**suivre avec attention les instructions de manipulation.**  
**Fluide frigorigène inflammable utilisé.**

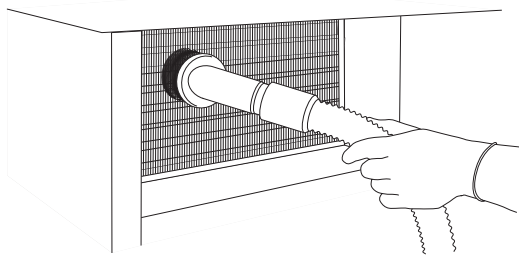
Le condensateur n'a pas besoin d'être nettoyé souvent dans des conditions de fonctionnement domestique normales. Si l'environnement est particulièrement gras, poussiéreux ou s'il y a des animaux domestiques dans la maison, le condensateur devrait être nettoyé tous les 2 ou 3 mois pour assurer une efficacité maximum.

Si on doit nettoyer le condensateur :

1. Débrancher le réfrigérateur ou déconnecter la source de courant électrique.
2. Retirer la grille de la base.



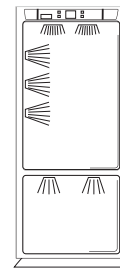
3. Utiliser un aspirateur à brosse douce pour nettoyer la grille, les endroits ouverts derrière la grille et la surface à l'avant du condensateur.



4. Replacer la grille de la base après avoir terminé.
5. Brancher le réfrigérateur ou reconnecter la source de courant électrique.

**REMARQUE :** Communiquer avec le service s'il est impossible de nettoyer le condensateur.

## Remplacer le module à DEL



**IMPORTANT :** Les lampes dans le réfrigérateur et le congélateur utilisent la technologie à DEL et n'ont pas besoin d'être remplacées.

Si un module à DEL ne s'allume pas lorsque la porte du réfrigérateur ou du congélateur est ouverte, communiquez avec nous pour obtenir de l'aide ou un entretien. Consulter le « Guide de démarrage rapide » pour les coordonnées.

## Système de filtration de l'eau

Le filtre à eau se trouve au-dessus du panneau supérieur en verre du compartiment réfrigérateur. Pour accéder au filtre à eau, tenir le panneau supérieur en verre avec les deux mains, pousser légèrement le panneau en verre vers l'arrière. Le panneau supérieur en verre pivotera et s'appuiera contre la paroi arrière. Répéter l'opération en sens inverse pour remettre en place le panneau de verre supérieur.

Ne pas utiliser ce produit pour filtrer une eau microbiologiquement polluée ou de qualité inconnue en l'absence d'un dispositif de désinfection adéquat en amont ou en aval du système. Les systèmes certifiés pour la réduction des kystes peuvent être utilisés pour une eau désinfectée susceptible de contenir des kystes filtrables.

**IMPORTANT :** Le filtre à eau jetable doit être remplacé au moins tous les 6 mois. Si le débit d'eau au distributeur d'eau ou à la machine à glaçons diminue de façon marquée avant que 6 mois ne se soient écoulés, remplacer le filtre à eau plus souvent.

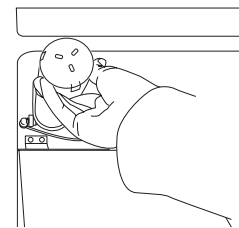
### Témoins lumineux de l'état du filtre à eau

Les témoins lumineux de l'état du filtre à eau indiqueront quand changer le filtre à eau. Lorsque le témoin Order (commander) est allumé, il est presque temps de changer le filtre à eau. Lorsque le témoin Replace (remplacer) est allumé, un nouveau filtre à eau doit être installé.

### Réinitialisation du statut du filtre à eau

Après remplacement du filtre à eau, appuyer sur Filter Reset (réinitialisation du filtre) pendant 3 secondes jusqu'à ce que les témoins Order (commander) ou Replace (remplacer) s'éteignent. Voir la section « Utilisation des commandes » du guide d'utilisation rapide.

### Remplacer le filtre à eau



**IMPORTANT :** De l'air piégé dans le système d'alimentation en eau peut entraîner l'éjection de l'eau et du filtre. Toujours faire couler l'eau pendant au moins 2 minutes avant de retirer le filtre ou le bouchon de dérivation bleu.

1. Tourner la cartouche du filtre d'un quart de tour dans le sens inverse des aiguilles d'une montre pour la retirer.

**REMARQUE :** Il y aura peut-être de l'eau dans le filtre. Il est possible qu'il y ait un dégât d'eau. Utiliser une serviette pour essuyer tout renversement.

2. Retirer l'étiquette de scellement du filtre de recharge et insérer l'extrémité du filtre dans la tête du filtre.
3. Faire pivoter le filtre dans le sens horaire jusqu'à la butée d'arrêt. Fermer le couvercle du filtre en l'emboîtant.
4. Rincer le système de distribution d'eau. Voir la section « Distributeur d'eau ».

**REMARQUE :** La fonction du distributeur peut être utilisée sans qu'un filtre à eau soit installé. L'eau ne sera pas filtrée. Si cette option est choisie, appuyer sur l'icône « Water Filter » (filtre à eau),



## Précautions à prendre avant les vacances ou le déménagement

### Vacances

**Si le réfrigérateur est laissé en marche pendant une absence :**

1. Consommer toutes les denrées périssables et congeler les autres articles.
2. Si le réfrigérateur comporte une machine à glaçons automatique et qu'il est raccordé à la source d'approvisionnement en eau du domicile, fermer la source d'approvisionnement en eau du réfrigérateur. Des dommages matériels peuvent subvenir si l'alimentation en eau n'est pas coupée.
3. Si votre machine à glaçons est automatique, éteindre la machine à glaçons.  
Fermer le bras de commande Off (arrêt) en broche (vers le haut).
4. Vider le bac à glaçons.

**Si l'utilisateur choisit d'arrêter le réfrigérateur avant son absence :**

1. Enlever tous les aliments du réfrigérateur.
2. Si le réfrigérateur est équipé d'une machine à glaçons automatique :
  - Fermer l'approvisionnement en eau de la machine à glaçons au moins un jour à l'avance.
  - Lorsque la dernière quantité de glaçons est déposée, soulever le bras de commande en broche à la position Off (élevée).
3. Vider le bac à glaçons.
4. Éteindre la/les commande(s) de température. Voir la section « Utilisation des commandes » du guide d'utilisation rapide.
5. Nettoyer le réfrigérateur, l'essuyer et bien le sécher.
6. Tape rubber or wood blocks to the tops of both doors to prop them open far enough for air to get in. This stops odor and mold from building up.

### Déménagement

En cas de déménagement et de déplacement du réfrigérateur dans une nouvelle habitation, suivre ces étapes pour préparer le déménagement.

1. Si le réfrigérateur est équipé d'une machine à glaçons automatique :
  - Fermer l'approvisionnement en eau de la machine à glaçons au moins un jour à l'avance.
  - Débrancher la canalisation d'eau de l'arrière du réfrigérateur.
  - Lorsque la dernière quantité de glaçons est déposée, soulever le bras de commande en broche à la position Off (élevée).
2. Retirer tous les aliments du réfrigérateur et placer tous les aliments congelés dans de la neige carbonique.
3. Vider le bac à glaçons.
4. Éteindre la/les commande(s) de température. Voir la section « Utilisation des commandes » du guide d'utilisation rapide.
5. Débrancher le réfrigérateur.
6. Bien nettoyer, essuyer et sécher.
7. Retirer toutes les pièces amovibles, bien les envelopper et les attacher ensemble avec du ruban adhésif pour qu'elles ne bougent et ne s'entrechoquent pas durant le déménagement.
8. Selon le modèle, soulever l'avant du réfrigérateur pour qu'il roule plus facilement ou soulever les pieds de nivellement pour qu'ils n'égratignent pas le plancher. Voir les sections « Ajustement des portes » ou « Fermeture et alignement des portes » en ligne.
9. Fermer les portes à l'aide de ruban adhésif et fixer le cordon d'alimentation à la partie arrière du réfrigérateur.

Une fois arrivé à votre nouveau domicile, remettre tout en place et consulter les « instructions d'installation » pour des instructions sur la préparation de l'appareil. Si le réfrigérateur comporte une machine à glaçons automatique, ne pas oublier de rebrancher l'approvisionnement en eau au réfrigérateur.

## Instructions pour le mode Sabbath

Votre réfrigérateur est muni du Sabbath Mode (mode Sabbath), lequel est conçu pour les personnes dont les pratiques religieuses requièrent d'éteindre les lumières et la machine à glaçons.

En sélectionnant cette fonction :

- Les réglages des points de consigne de la température restent inchangés.
- Les DEL des commandes électroniques ne s'afficheront pas.
- Le bouton Sabbath (Sabbat) sera le seul allumé.
- Aucune alarme ne résonnera.
- L'éclairage à l'intérieur sera éteint.
- Le produit n'aura aucune réaction à l'ouverture de la porte.

Pour un fonctionnement plus efficace du réfrigérateur, il est recommandé de sortir du Sabbath Mode (mode Sabbath) lorsque celui-ci n'est plus nécessaire.

Pour activer complètement le Sabbath Mode (mode sabbat), suivre les instructions suivantes pour le tableau de commande.

### TABLEAU DE COMMANDE

#### Activation du mode Sabbath :

1. Choisir l'icône « Settings » (réglages) dans l'écran principal.
2. Faire défiler l'écran vers la droite et repérer l'icône du « Sabbath Mode » (mode sabbat) sur le deuxième écran (en haut à droite). Sélectionner l'icône.
3. Un nouvel écran s'affiche pour vous demander si vous souhaitez activer ou désactiver le Sabbath Mode (mode Sabbath). Choisir « ON » (activé).

- Un nouvel écran s'affiche pour vous demander si vous souhaitez activer ou désactiver le mode Sabbath. Choisir « Yes » (oui).

Le produit passe en Sabbath Mode (mode sabbat).

#### Désactivation du Sabbath mode (mode Sabbath) :

- Appuyer sur l'écran principal. « Sabbath Mode » (mode sabbat) devrait y être écrit.
- Un nouvel écran apparaît, demandant d'activer ou de désactiver le Sabbath Mode (mode sabbat), choisir Off (désactivé).
- Le Sabbath Mode (mode sabbat) est désactivé et le produit redémarre.



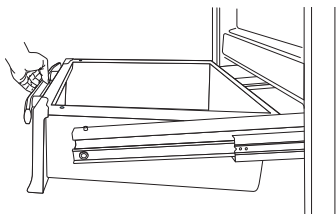
## Tablettes et balconnets du réfrigérateur

### Retirer et replacer les tiroirs (pour des raisons de sécurité, le retrait des tiroirs n'est possible qu'à l'aide d'outils)

En fonction de la largeur de l'ouverture de la porte, il faudra peut-être retirer la façade du tiroir du congélateur pour pouvoir introduire le réfrigérateur dans le domicile.

#### Retrait des tiroirs

- Les tiroirs du congélateur sont fixés au guide de glissement par deux vis à oreilles.
- Ouvrir complètement les tiroirs du congélateur.
- Desserrer les deux vis à oreilles.
- Soulever l'avant du tiroir pour dégager les attaches des fentes du support de guidage de la glissière du tiroir.

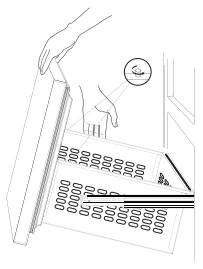


- Réinsérer les glissières dans le congélateur.

#### Réinstaller les tiroirs

- Déployer complètement les glissières du tiroir.
- En tenant l'avant des tiroirs par les côtés, aligner et insérer les attaches dans les encoches des pattes des glissières du tiroir.

**REMARQUE :** Pour faciliter l'opération, une personne peut maintenir les glissières du tiroir en place pendant qu'une autre aligne la façade du tiroir et insère les attaches dans les encoches.



- Remettre en place et serrer les deux vis à oreilles.

## Retirer et replacer le bac à glaçons

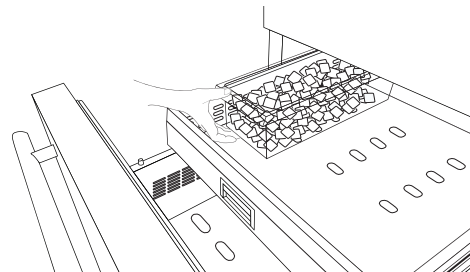
Le bac à glaçons est situé dans le tiroir supérieur du compartiment du congélateur.

#### Retirer le bac à glaçons :

- Retirer le tiroir supérieur du compartiment du congélateur.
- Le bac à glaçons est fixé par des panneaux de verrouillage.
- Retirer le bac à glaçons en enlevant les panneaux de verrouillage.

#### Réinstaller le bac à glaçons :

- Sortir le tiroir supérieur.
- Aligner le bac à glaçons avec les panneaux de verrouillage et le mettre en place.



## Tablettes du réfrigérateur

### Informations importantes à propos des tablettes et des couvercles en verre :

Ne pas nettoyer les tablettes ou les couvercles de verre avec de l'eau tiède lorsqu'ils sont froids. Les tablettes et couvercles peuvent se briser s'ils sont exposés à un changement de températures ou impact soudain, tel qu'une chute. Le verre trempé est conçu pour se briser en de multiples petits morceaux de la taille de gravillons. Ceci est normal. Les tablettes en verre et les couvercles sont lourds. Employer les deux mains lorsqu'on les retire afin d'éviter de les faire tomber.

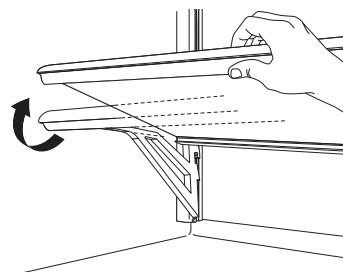
Les tablettes en verre du réfrigérateur sont réglables pour s'adapter aux besoins de rangement de l'utilisateur.

Afin de pouvoir trouver plus facilement l'article recherché, on peut remiser ensemble des aliments semblables dans le réfrigérateur et ajuster les tablettes pour les adapter aux différentes tailles d'articles. Ceci réduira également la durée d'ouverture de la porte du réfrigérateur et permettra d'économiser de l'énergie.

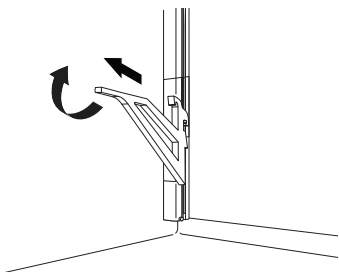
#### Tablettes

##### Retirer une tablette :

- Retirer les articles de la tablette.
- Tenir la tablette en verre avec les deux mains, la soulever et l'incliner pour la dégager de l'articulation de la partie arrière.
- Retirer la tablette en verre.



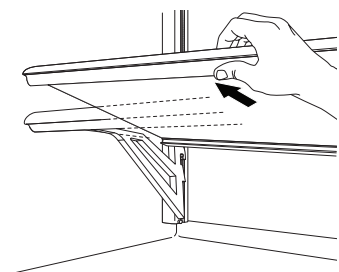
- Pour régler la hauteur des tablettes en verre, incliner le support vers le haut et tirer sur le support des deux côtés.



- Placer la ferrure de support à la hauteur voulue, glisser les ferrures de support des deux côtés. S'assurer que les supports sont placés à la même hauteur.

#### Réinstaller une tablette :

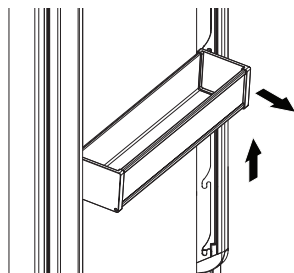
- Placer la tablette en verre dans le joint de la partie arrière.
- Abaisser l'avant de la tablette en verre et s'assurer que la tablette est bien en position.



### Balconnets de porte

#### Retirer les balconnets de porte :

- Retirer les vis et les capuchons d'extrémité de la partie supérieure des encoches de support du balconnet de porte.
- Tenir le balconnet de porte par les côtés et l'incliner légèrement pour le faire glisser.
- Pousser le balconnet de porte vers le haut pour le sortir de sa position, puis le retirer.



#### Replacer les balconnets de porte :

- Maintenir le balconnet de porte par les côtés.
- Pousser le balconnet de porte vers l'intérieur, puis vers le bas, pour le placer dans la position voulue.
- Réinstaller les vis et les capuchons sur les encoches de support du balconnet de porte.

## EXIGENCES D'INSTALLATION

### Outils et pièces

#### IMPORTANT :

- Installateur : Remettre les instructions d'installation au propriétaire.
- Propriétaire : Conserver les instructions d'installation pour référence ultérieure. Conserver ces instructions d'installation pour consultation par l'inspecteur local des installations électriques.

#### Outils requis :

Rassembler les outils et pièces nécessaires avant d'entreprendre l'installation.

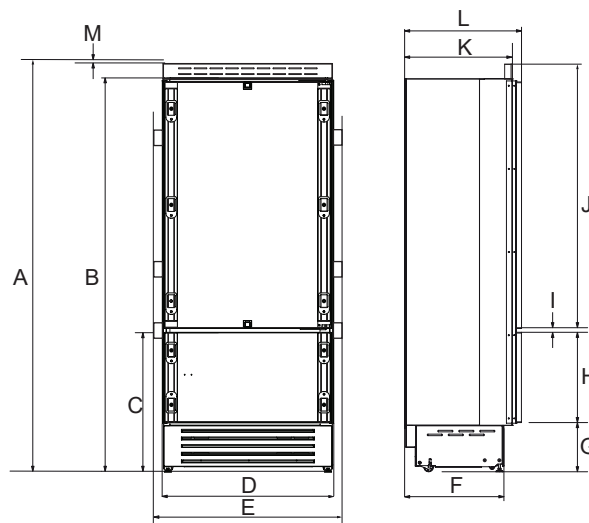
Lire et observer les instructions fournies avec chacun des outils de la liste ci-dessous.

- |   |   |
|---|---|
| ■ Niveau                                | ■ Clé de 11/16 po (17 mm)   |
| ■ Clé hexagonale de 3/16 po (4 mm)      | ■ Clé de 3/4 po (19 mm)   |
| ■ Tournevis cruciforme                  | ■ Clé hexagonale de 2,5 mm pour les vis de la poignée (selon les besoins) |
| ■ Foret à bois                          | ■ Chariot pour appareil ménager   |
| ■ Foret de 1/8 po (2,5 mm) pour le bois | ■ Escabeau  |
| ■ Foret de 5/16 po (8 mm) pour les murs |   |

#### Accessoires :

- |                            |                                    |
|----------------------------|------------------------------------|
| ■ Ensemble de nettoyage    | ■ Brides d'espacement en plastique |
| ■ Ensemble antibasculement | ■ Ensemble de connexion latérale   |
| ■ Ensemble du filtre à eau | ■ Butée à 90°                      |

### Dimensions du produit

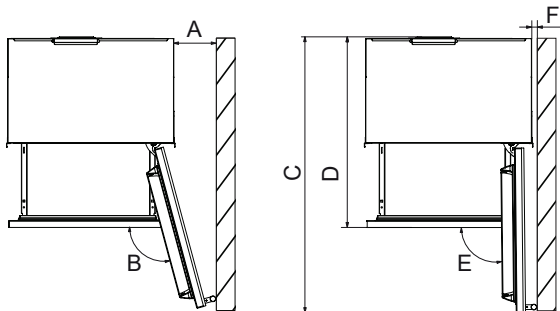


- |                         |                         |
|-------------------------|-------------------------|
| A. 84 po (2134 mm)      | H. 25 3/8 po (645 mm)   |
| B. 81 1/4 po (2064 mm)  | I. 1/4 po (6 mm)        |
| C. 29 7/16 po (748 mm)  | J. 54 3/16 po (1377 mm) |
| D. 29 1/2 po (749 mm)   | K. 24 po (610 mm)       |
| E. 29 15/16 po (761 mm) | L. 24 3/4 po (628 mm)   |
| F. 19 11/16 po (500 mm) | M. 1/8 po (3 mm)        |
| G. 4 1/16 po (103 mm)   |                         |

## Dimensions pour l'ouverture des portes

L'emplacement d'installation doit permettre l'ouverture de la porte à un angle minimal de 90°. Laisser un espace libre d'au moins 1/4 po (15 mm) entre le côté du réfrigérateur et un mur d'angle.

**NOTE:** Un dégagement plus grand peut être nécessaire si l'on utilise des panneaux de bois décoratifs, des poignées personnalisées ou des poignées de plus grande profondeur.

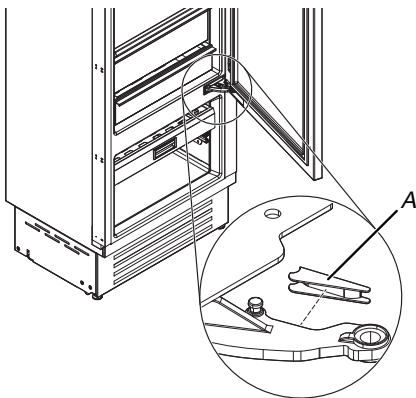


A. 7 1/4 po  
(185 mm)  
B. 105°  
C. 52 9/16 po  
(1335 mm)

D. 39 po (992 mm)  
E. 90°  
F. 1/4 po (15 mm)

Il est possible de limiter l'ouverture de la porte à 90° en installant une butée sur la charnière inférieure

**NOTE:** La butée de porte est fournie dans le sac d'accessoires.



A. butée de porte

## Préparation du site

### Brides antibasculement

# ⚠ AVERTISSEMENT



### Risque de basculement

La partie du haut du réfrigérateur est très lourde, ce qui peut le faire basculer facilement lorsqu'il n'est pas complètement installé.

Garder les portes fermées avec du ruban jusqu'à la fin de l'installation du réfrigérateur.

Utiliser au moins deux personnes pour déplacer et installer le réfrigérateur.

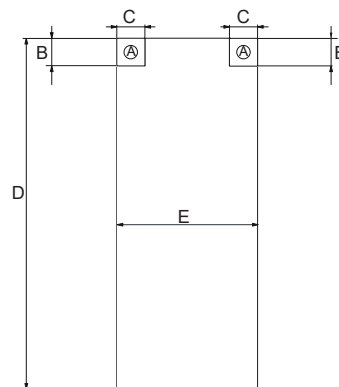
Ne pas respecter cette instruction peut causer un décès ou une blessure grave.

### IMPORTANT :

- Pour toutes les applications, le réfrigérateur doit être soutenu par les brides antibasculement fournies.
- Il est recommandé de fixer les brides antibasculement au réfrigérateur avant de l'installer, mais elles peuvent être installées une fois que le réfrigérateur se trouve sur son lieu d'installation.

Installation des brides antibasculement :

1. La zone au-dessus du réfrigérateur doit être dégagée pour fixer les brides antibasculement et identifier l'emplacement des montants dans la zone A.

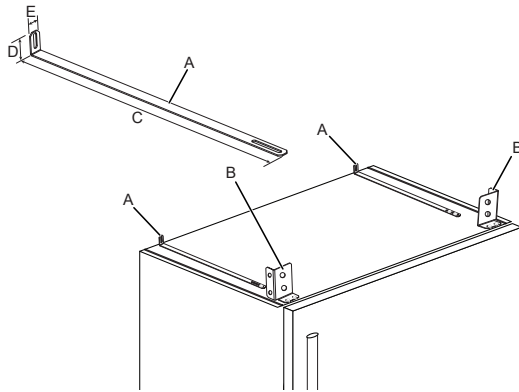


- A. Zone de gauche à garder dégagée pour l'installation des brides antibasculement
- B. 3 po (76 mm)
- C. 4 po (100 mm)
- D. 84 po (2134 mm) minimum
- E. 30 po (762 mm)

L'espace minimum entre les panneaux et la cavité doit être de 1/16 po (1 mm).

2. Les brides antibasculement doivent être fixées à l'aide de vis dans le cadre en bois ou dans le béton si possible. La fixation au mur des brides antibasculement à l'aide de simples chevilles à expansion doit être complétée par des planches antibasculement.

3. L'appareil est livré avec les brides installées. Le bord de la bride est monté vers le bas, lors de l'installation, tourner le bord vers le haut.



- A. Brides antibasculement  
 B. Brides du haut  
 C. 20 <sup>15</sup>/<sub>16</sub> po (531 mm)  
 D. 1 <sup>1</sup>/<sub>2</sub> po (38 mm)  
 E. 13/16 po (20 mm)

## Exigences d'emplacement

### ⚠ AVERTISSEMENT



#### Risque d'explosion

**Garder les matières et les vapeurs inflammables, telles que l'essence, à l'écart de l'appareil.**

**Utiliser un produit de nettoyage ininflammable.**

**Le non-respect de ces instructions peut causer un décès, une explosion ou un incendie.**

**IMPORTANT :** Ce réfrigérateur est conçu pour un usage domestique, à l'intérieur uniquement.

Cet appareil est destiné à un usage domestique et à d'autres usages similaires comme :

- espace de cuisine pour personnel de boutiques, bureaux et autres environnements professionnels;
- résidences fermières et utilisation par les clients d'hôtels, de motels et d'autres types de résidences;
- environnements de type chambres d'hôtes;
- banquets et autres utilisations non commerciales semblables.

Pour obtenir une aération appropriée pour le réfrigérateur, laisser un espace de 1/8 po (3,2 mm) de chaque côté et au sommet. En cas d'installation du réfrigérateur près d'un mur fixe, laisser un minimum de 7 1/4 po (185 mm) du côté de la charnière pour permettre à la porte de s'ouvrir sans obstruction.

## Spécifications électriques

### ⚠ AVERTISSEMENT



#### Risque de décharge électrique

**Brancher l'appareil sur une prise à 3 alvéoles reliée à la terre.**

**Ne pas enlever la prise de liaison à la terre.**

**Ne pas utiliser d'adaptateur.**

**Ne pas utiliser de rallonge.**

**Le non-respect de ces instructions peut causer un décès, un incendie ou une décharge électrique.**

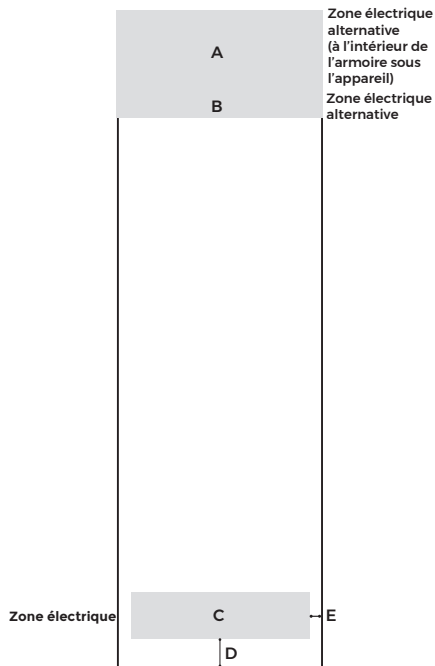
Avant de placer le réfrigérateur à son emplacement final, il est important de s'assurer d'avoir le raccordement électrique approprié.

Si le cordon d'alimentation est endommagé, il doit être remplacé par le fabricant, son agent de service ou toute autre personne également qualifiée. Ne pas utiliser un cordon craquelé ou qui présente des dommages d'abrasion sur la gaine, la fiche ou le connecteur.

#### Méthode recommandée de liaison à la terre

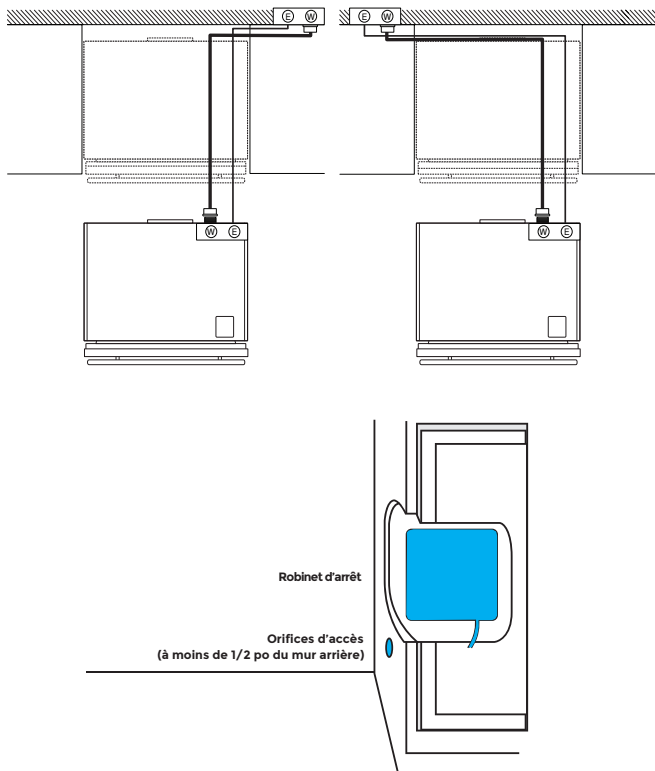
Un circuit de 110-120 V CA à 60 Hz relié à la terre et protégé par un fusible de 15 A est requis. On recommande que le réfrigérateur et les accessoires approuvés soient alimentés par un circuit indépendant. Utiliser une prise de courant dont l'alimentation ne peut pas être interrompue par un interrupteur. Ne pas utiliser de rallonge.

**REMARQUE :** Avant de procéder à tout type d'installation, de nettoyage ou de changement d'ampoule, mettre le réfrigérateur à l'arrêt. Selon le modèle, tourner la commande du réfrigérateur vers OFF (arrêt) ou appuyer sur la flèche vers le bas du réfrigérateur jusqu'à ce qu'un tiret (–) apparaisse sur l'affichage du réfrigérateur, comme illustré. Déconnecter le réfrigérateur de la source de courant électrique. Une fois l'opération terminée, reconnecter le réfrigérateur à la source de courant électrique et remettre la commande de température au réglage désiré. Consulter le « Guide de démarrage rapide ».



- A. Largeur de 30 po x 12 po de hauteur  
 B. Largeur de 30 po x 3 1/2 po de hauteur  
 C. Largeur de 26 1/2 po x 6 1/2 po de hauteur  
 D. 4 1/2 po  
 E. 1 3/4 po

## Spécifications de l'alimentation en eau



Rassembler les outils et pièces nécessaires avant d'entreprendre l'installation. Lire et observer les instructions fournies avec chacun des outils de la liste ci-dessous.

### IMPORTANT :

- Raccorder à la canalisation d'arrivée d'eau potable uniquement.

Ne pas utiliser ce produit pour filtrer une eau microbiologiquement polluée ou de qualité inconnue en l'absence d'un dispositif de désinfection adéquat en amont ou en aval du système. Les systèmes certifiés pour la réduction des kystes peuvent être utilisés pour une eau désinfectée susceptible de contenir des kystes filtrables.

- Toutes les installations doivent être conformes aux exigences des codes locaux de plomberie.
- Ne pas employer de robinet d'arrêt à étrier de 3/16 po (4,76 mm) ou de type à percer – ils réduisent le débit d'eau et s'obstruent plus facilement.

**REMARQUE :** Votre marchand de réfrigérateurs propose une trousse avec un robinet d'arrêt à étrier de 1/4 po (6,35 mm), un raccord et un tube en cuivre, tressé en acier inoxydable ou en polyéthylène réticulé. Avant d'en faire l'achat, s'assurer que le robinet d'arrêt à étrier est conforme aux codes locaux de plomberie.

- Vérifier qu'il n'y a pas de fuites. Installer les tuyaux d'alimentation en eau seulement là où les températures domestiques resteront au-dessus du point de congélation.

**REMARQUE :** Le réfrigérateur est équipé d'une connexion solénoïde NPT de 3/4 po (19 mm). Il est recommandé d'utiliser uniquement un adaptateur coudé à raccord rapide de 1/4 po pour une conduite d'alimentation en eau en cuivre ou en polyéthylène de 1/4 po vers le réfrigérateur, ou un adaptateur NPT approprié.

- Pour les modèles avec filtre à eau, le filtre à eau jetable doit être remplacé au moins tous les 6 mois.

### Pression d'eau

Une alimentation en eau froide avec une pression entre 20 lb/po<sup>2</sup> et 120 lb/po<sup>2</sup> (137,9 kPa et 827,4 kPa) est nécessaire pour faire fonctionner le distributeur d'eau et la machine à glaçons. Pour toute question au sujet de la pression de l'eau, faire appel à un plombier qualifié agréé.

**IMPORTANT :** Purger le circuit d'eau avant de calibrer le Measured Fill (remplissage mesuré).

### Alimentation en eau par osmose inverse

**IMPORTANT :** La pression de l'alimentation en eau entre le système d'osmose inverse et le robinet d'arrivée d'eau du réfrigérateur doit être entre 20 lb/po<sup>2</sup> et 120 lb/po<sup>2</sup> (137,9 kPa à 827,4 kPa).

Si un système de filtration de l'eau par osmose inverse est raccordé à votre alimentation en eau froide, la pression de l'eau au système doit être d'un minimum de 20 lb/po<sup>2</sup> à 120 lb/po<sup>2</sup> (137,9 kPa à 827,4 kPa).

Si la pression d'eau au système de filtration par osmose inverse est inférieure à 20 lb/po<sup>2</sup> à 120 lb/po<sup>2</sup> (137,9 kPa à 827,4 kPa) :

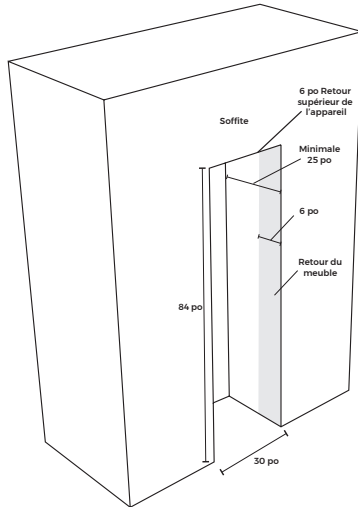
- Vérifier que le filtre à sédiment dans le système à osmose inverse n'est pas obstrué. Remplacer le filtre si nécessaire.
- Laisser le réservoir du système d'osmose inverse se remplir après une utilisation intense.
- Si le réfrigérateur comporte un filtre à eau, celui-ci peut réduire la pression de l'eau lorsqu'il est utilisé avec un système d'osmose inverse. Enlever le filtre à eau. Consulter la section « Système de filtration d'eau ».

Pour toute question au sujet de la pression de l'eau, faire appel à un plombier qualifié agréé.



# INSTRUCTIONS D'INSTALLATION

## Dimensions de l'ouverture



## Déballage du réfrigérateur

### **⚠ AVERTISSEMENT**

#### Risque de poids excessif

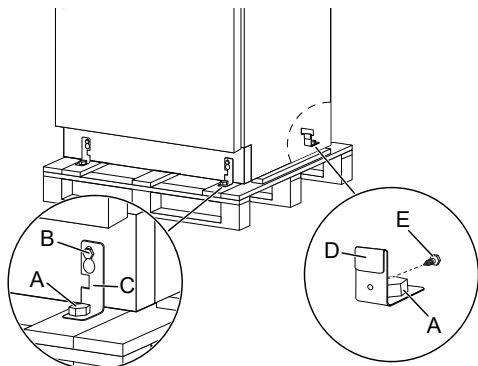
Utiliser deux personnes ou plus pour déplacer et installer l'appareil.

Le non-respect de cette instruction peut causer une blessure au dos ou d'autres blessures.

### Retrait des matériaux d'emballage

Éliminer/recycler tous les matériaux d'emballage. Ne pas utiliser d'instruments coupants, d'alcool à friction, de liquides inflammables ou de nettoyants abrasifs pour enlever le ruban adhésif ou la colle. Ces produits peuvent endommager la surface du réfrigérateur. Pour plus de renseignements, voir la section « Sécurité du réfrigérateur ».

Le réfrigérateur est fixé à la base d'emballage par quatre boulons. Suivre les étapes suivantes pour dégager le réfrigérateur de sa base.



1. Dévisser les quatre boulons (A) à l'aide d'une clé de 3/4 po (19 mm).
2. Dévisser le boulon de réglage de la roue arrière (B) pour libérer le support de fixation (C) à l'aide d'une clé de 3/4 po (19 mm).
3. Retirer les vis (E) pour libérer le support de fixation (D).
4. Retirer les supports de fixation (C) et (D).

### Lors du déplacement du réfrigérateur :

Ce réfrigérateur est lourd. Lors du déplacement de ce réfrigérateur pour un nettoyage ou un entretien, veiller à recouvrir le plancher d'un carton ou panneau de fibre dur pour éviter de l'endommager. Toujours tirer le réfrigérateur tout droit lors du déplacement. Ne pas incliner le réfrigérateur d'un côté ou de l'autre ni le « faire marcher » en essayant de le déplacer, car le sol pourrait être endommagé.

**IMPORTANT :** Les quatre roulettes doivent toucher le plancher pour supporter et stabiliser le poids total du réfrigérateur.

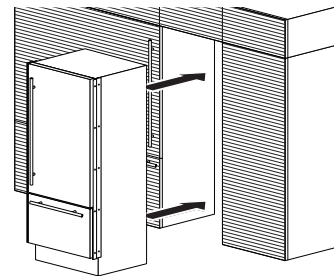
### Nettoyage avant utilisation

Après avoir enlevé tous les matériaux d'emballage, nettoyer l'intérieur du réfrigérateur avant de l'utiliser. Voir la section « Nettoyage » de ce manuel.

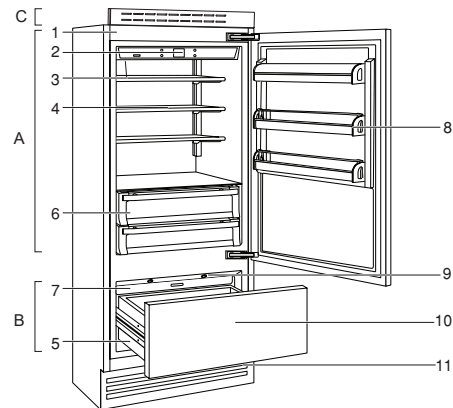
### Informations importantes à propos des tablettes et des couvercles en verre :

Ne pas nettoyer les tablettes ou les couvercles de verre avec de l'eau tiède lorsqu'ils sont froids. Les tablettes et couvercles peuvent se briser s'ils sont exposés à un changement de températures ou impact soudain, tel qu'une chute. Le verre trempé est conçu pour se briser en de multiples petits morceaux de la taille de gravillons. Ceci est normal. Les tablettes en verre et les couvercles sont lourds. Employer les deux mains lorsqu'on les retire afin d'éviter de les faire tomber.

Déplacer le réfrigérateur jusqu'à la structure d'installation.



## Principaux composants



- A. Réfrigérateur
- B. Congélateur
- C. Grille de protection supérieure avant

1. Caisse galvanisée et peinte
2. Tableau de commande interactif
3. Filtre à eau (\*)
4. Tablettes ajustables
5. Tiroirs du congélateur
6. Tiroirs du réfrigérateur

7. Bac de la machine à glaçons (\*)
8. Balconnets de porte
9. Éclairage à DEL du tiroir inférieur du congélateur
10. Tiroir du bas du congélateur transformable en compartiment de réfrigérateur
11. Condenseur de grille amovible

(\*) sur les modèles avec machine à glaçons

## Raccordement à la canalisation d'eau

Lire toutes les instructions avant de commencer.

### IMPORTANT :

- Réaliser l'installation de plomberie conformément aux prescriptions du International Plumbing Code et des normes et codes locaux en vigueur.
- Le tuyau d'eau gris situé à l'arrière du réfrigérateur (et utilisé pour raccorder l'appareil à la canalisation d'eau du domicile) est un tuyau en polyéthylène réticulé. Il est possible d'utiliser des raccords en cuivre, tressés en acier inoxydable et en polyéthylène réticulé pour le raccordement de la canalisation d'eau du domicile au réfrigérateur; ils contribuent à éviter que l'eau ait un goût ou une odeur désagréable. Vérifier qu'il n'y a pas de fuites. Si un tuyau en polyéthylène réticulé (PEX) est utilisé au lieu d'un tuyau de cuivre.
- Installer des tubes seulement là où les températures resteront au-dessus du point de congélation.
- Raccorder à la canalisation d'arrivée d'eau potable uniquement.

Ne pas utiliser ce produit pour filtrer une eau microbiologiquement polluée ou de qualité inconnue en l'absence d'un dispositif de désinfection adéquat en amont ou en aval du système. Les systèmes certifiés pour la réduction des kystes peuvent être utilisés pour une eau désinfectée susceptible de contenir des kystes filtrables.

**REMARQUE :** Votre marchand de réfrigérateurs propose une trousse avec un robinet d'arrêt à étrier de 1/4 po (6,35 mm), un raccord et un tube en cuivre ou en polyéthylène réticulé. Avant d'en faire l'achat, s'assurer que le robinet d'arrêt à étrier est conforme aux codes locaux de plomberie. Ne pas employer de robinet d'arrêt à étrier de 3/16 po (4,76 mm) ou de type à percer – ils réduisent le débit d'eau et s'obstruent plus facilement.

## Raccordement à la canalisation d'eau

**IMPORTANT :** Si on met le réfrigérateur en marche avant que la canalisation d'eau ne soit raccordée, éteindre la machine à glaçons.

1. Débrancher le réfrigérateur ou déconnecter la source de courant électrique.
2. Couper l'alimentation principale en eau. Ouvrir le robinet le plus proche assez longtemps pour vider l'eau du tuyau.
3. Utiliser un robinet d'arrêt quart de tour ou équivalent alimenté par une canalisation d'alimentation domestique en cuivre ou en polyéthylène réticulé de 1/2 po.

**REMARQUE :** Pour que le réfrigérateur reçoive un débit d'eau suffisant, on recommande l'emploi d'une canalisation d'alimentation domestique en cuivre ou en polyéthylène réticulé de 1/2 po minimum.

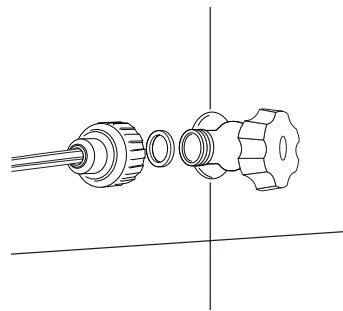
4. On est maintenant prêt à connecter le tuyau en cuivre ou en polyéthylène réticulé au robinet d'arrêt. Utiliser une canalisation en cuivre ou en polyéthylène réticulé de 1/4 po (6,35 mm) de diamètre externe pour raccorder le robinet d'arrêt au réfrigérateur.
  - S'assurer d'avoir la longueur nécessaire pour une installation correcte. Il faut s'assurer que les deux extrémités du tube en cuivre sont bien coupées à angle droit.
  - Installer la bague et l'écrou à compression sur le tube en cuivre comme indiqué. (Le tuyau en polyéthylène réticulé possède des viroles et écrous de compression déjà installés.) Insérer l'extrémité du tuyau aussi profondément que possible dans l'extrémité de sortie et à l'équerre. Visser l'écrou de compression sur l'extrémité de sortie du raccord à l'aide d'une clé à molette. Ne pas serrer excessivement.
5. Placer l'extrémité libre de la canalisation dans un contenant ou un évier et rétablir l'alimentation principale en eau pour nettoyer le tuyau jusqu'à ce que l'eau soit limpide. Fermer le robinet d'arrêt de la canalisation d'eau.
 

**REMARQUE :** Toujours vidanger le tuyau d'alimentation en eau avant de faire le raccordement final sur l'entrée du robinet pour éviter tout mauvais fonctionnement éventuel du robinet.
6. Courber le tuyau de cuivre ou de polyéthylène réticulé de façon à le raccorder à l'arrivée de la canalisation d'eau située à l'arrière de la caisse du réfrigérateur. Laisser une partie du tube en cuivre ou de polyéthylène réticulé enroulée pour permettre de dégager le réfrigérateur de l'armoire ou du mur en cas de dépannage.

## Raccordement au réfrigérateur

1. Débrancher le réfrigérateur ou déconnecter la source de courant électrique.
2. Retirer et jeter la courte pièce en plastique noire de l'extrémité du point d'entrée de la canalisation d'eau.
3. Enfiler l'écrou sur l'extrémité du tuyau. Serrer l'écrou manuellement. Ensuite, serrer deux tours de plus avec une clé. Ne pas serrer excessivement.

**REMARQUE :** Pour éviter les vibrations, veiller à ce que les tuyaux en cuivre ne soient pas en contact avec les parois latérales de la machine à glaçons ou d'autres composants à l'intérieur de la caisse.



4. Installer la bride de la canalisation d'alimentation en eau bien autour de la canalisation pour réduire la pression sur le raccord.
5. Ouvrir le robinet d'arrêt.
6. Vérifier qu'il n'y a pas de fuites. Serrer tous les raccords (y compris les raccords du robinet) ou les écrous qui présentent des fuites.

- Sur certains modèles, la machine à glaçons comporte un filtre à eau incorporé. Si les caractéristiques de l'eau requièrent un second filtre à eau, installer celui-ci dans la canalisation d'eau de 1/4 po (6,35 mm) à l'une ou l'autre des extrémités de la canalisation. Se procurer un filtre à eau auprès de votre marchand d'appareils ménagers.

## Brancher le réfrigérateur

### ⚠ AVERTISSEMENT



#### Risque de décharge électrique

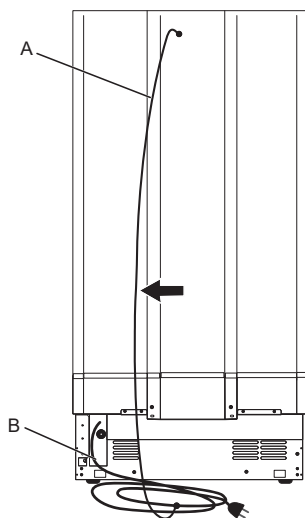
**Brancher l'appareil sur une prise à 3 alvéoles reliée à la terre.**

**Ne pas enlever la prise de liaison à la terre.**

**Ne pas utiliser d'adaptateur.**

**Ne pas utiliser de rallonge.**

**Le non-respect de ces instructions peut causer un décès, un incendie ou une décharge électrique.**

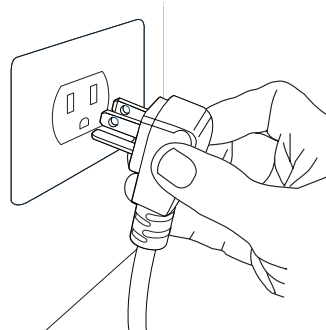


A. Extenseur  
B. Cordon d'alimentation

- Une extrémité de l'extenseur est reliée au cordon d'alimentation au moyen d'une pince.
- Pendant l'assemblage, le cordon d'alimentation et son extenseur sont fixés et logés dans la partie inférieure gauche.
- Pendant l'installation, retirer le cordon et son extenseur du logement.
- Connecter l'extrémité libre de l'extenseur à la vis supérieure de la caisse.
- Le câble électrique peut maintenant être supporté sans se coincer dans les roues, sans tirer sur le câble électrique et sans l'endommager, ce qui facilite l'installation de l'équipement dans l'espace encastré et le logement.

- Brancher l'appareil dans une prise à 3 alvéoles reliée à la terre.

**REMARQUE :** Prévoir un délai de 24 heures pour la production du premier lot de glaçons. Jeter les trois premiers lots de glaçons produits. Prévoir un délai de 3 jours pour le remplissage complet du bac d'entreposage.



- Rincer le système de distribution d'eau. Voir la section « Distributeurs d'eau et de glaçons ».

## Déplacement du réfrigérateur à son emplacement définitif

### ⚠ AVERTISSEMENT



#### Risque de basculement

**La partie du haut du réfrigérateur est très lourde, ce qui peut le faire basculer facilement lorsqu'il n'est pas complètement installé.**

**Garder les portes fermées avec du ruban jusqu'à la fin de l'installation du réfrigérateur.**

**Utiliser au moins deux personnes pour déplacer et installer le réfrigérateur.**

**Ne pas respecter cette instruction peut causer un décès ou une blessure grave.**

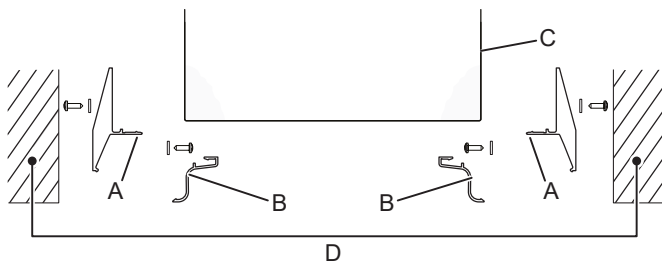
## Installation encastrée du réfrigérateur à une seule porte

Pour une installation encastrée, des profilés latéraux spéciaux sont installés entre le réfrigérateur et les armoires adjacentes.

Suivre ces étapes pour effectuer l'installation :

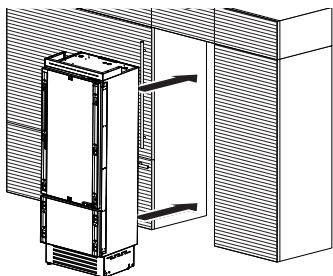
- Des cales de 2 po x 2 po x 1/4 po (x10) fixées au réfrigérateur à l'aide de 2 vis doivent être laissées sur l'appareil à chaque emplacement prévu pour les pièces de la « garniture de raccordement au profilé » (x10). Enlever la vis de chaque cale (x10) la plus proche de l'avant du réfrigérateur et utiliser ces vis pour fixer les pièces (x10) de la « garniture de raccordement au profilé » à l'appareil. **NE PAS TROP SERRER.**

## Montage des profilés latéraux :

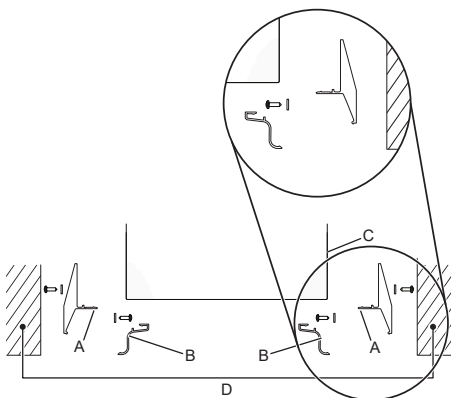


- A. Garniture de raccordement au profil
- B. Couvercle de garniture de profilé
- C. Appareil
- D. Parois de l'armoire

- Placer le réfrigérateur dans la structure d'installation.



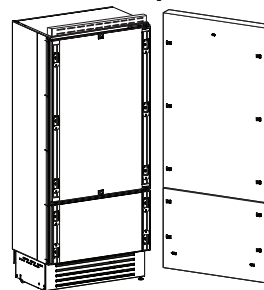
Utiliser les vis (x10) fournies dans l'ensemble d'installation pour traverser les pièces de la garniture de raccordement au profilé (x10) attachées au réfrigérateur et fixer le réfrigérateur à la (D) « paroi de l'armoire ».



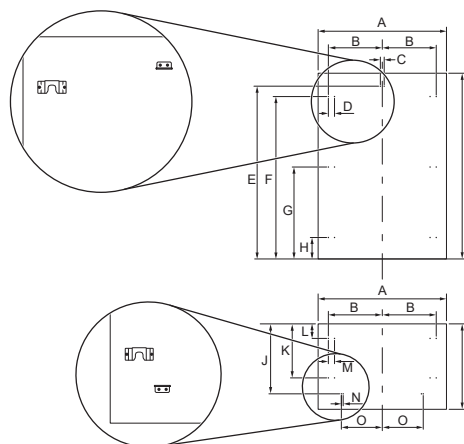
- A. Garniture de raccordement au profil
- B. Couvercle de garniture de profilé
- C. Appareil
- D. Parois de l'armoire

## Montage des panneaux de portes du réfrigérateur

### Fixation des panneaux de portes



### Position des trous :



- |  |   |
|--|---|
| A. 29 <sup>7</sup> / <sub>8</sub> po (759 mm)    | I. 54 <sup>3</sup> / <sub>16</sub> po (1377 mm) |
| B. 13 <sup>7</sup> / <sub>16</sub> po (342 mm)   | J. 50 po (507,5 mm)                             |
| C. 1/4 po (6,5 mm)                               | K. 15 <sup>1</sup> / <sub>16</sub> po (382 mm)  |
| D. 1 <sup>5</sup> / <sub>16</sub> po (34 mm)     | L. 3 <sup>15</sup> / <sub>16</sub> po (100 mm)  |
| E. 50 po (1270 mm)                               | M. 1 <sup>5</sup> / <sub>16</sub> po (34 mm)    |
| F. 45 <sup>11</sup> / <sub>16</sub> po (1160 mm) | N. 1/2 po (13 mm)                               |
| G. 25 <sup>7</sup> / <sub>8</sub> po (657 mm)    | O. 11 po (279,5 mm)                             |
| H. 6 <sup>1</sup> / <sub>16</sub> po (154 mm)    | P. 25 <sup>3</sup> / <sub>8</sub> po (645 mm)   |

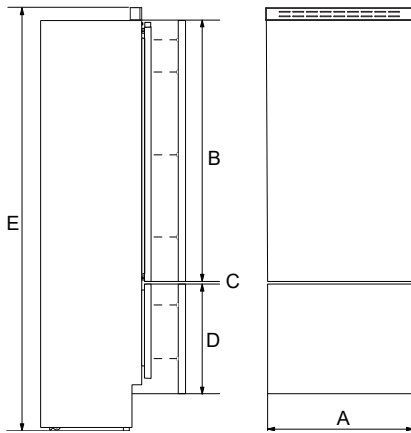
### Dimensions des panneaux du tiroir à fond unique

Les panneaux peuvent avoir une épaisseur comprise entre 3/4 po (18 mm) et 1 1/8 po (28 mm).

Les panneaux de porte peuvent avoir un poids maximal de 19 kg (42 lb) et les panneaux de tiroirs un poids maximal de 9 kg (20 lb).

Le dépassement de ces poids peut entraîner l'annulation de la garantie pour tout problème d'entretien pouvant être attribué à des panneaux trop lourds.

Le mécanisme de charnière du réfrigérateur est considéré comme un « dégagement zéro ». Les largeurs de portes et de tiroirs indiquées ci-dessous supposent que la largeur minimale de l'espace est utilisée et qu'un jeu de 1/8 po (3,5 mm) est souhaité autour des panneaux. Modifier les dimensions du panneau en fonction des critères propres de conception, en tenant compte de la largeur de l'emplacement et du jeu. La distance minimale ne doit pas être inférieure à 1/16 po (1,5 mm).



- A.  $29 \frac{7}{8}$  po (759 mm)      D.  $25 \frac{3}{8}$  po (645 mm)  
 B.  $54 \frac{3}{16}$  po (1377 mm)      E.  $83 \frac{7}{8}$  po (2131 mm)  
 C.  $1/4$  po (6 mm)

#### Panneau de porte :

Largeur :  $29 \frac{7}{8}$  po (759 mm)  
 Hauteur :  $54 \frac{3}{16}$  po (1377 mm)

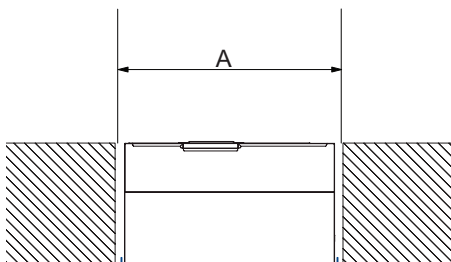
#### Panneau de tiroir :

Largeur :  $29 \frac{7}{8}$  po (759 mm)  
 Hauteur :  $25 \frac{3}{8}$  po (645 mm)

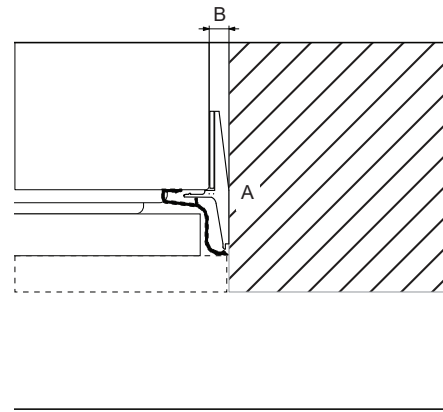
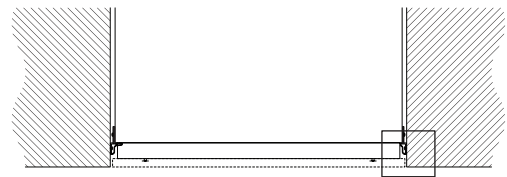
Pour une plinthe d'une hauteur de 6 po (15 cm), la hauteur du panneau du tiroir inférieur sera de 22 po (56 cm).

### Installation du panneau

#### Préparation des panneaux de porte



A. 30 po (762 mm)



A. Ensemble de connexion latérale      B.  $1/2$  po (13 mm)

Les dimensions des panneaux sont indiquées dans le tableau et les dessins des pages suivantes.

Conformément aux exigences d'alignement avec les autres structures de la cuisine, le panneau de la porte peut être plus haut que le bord supérieur de la porte du réfrigérateur, et le panneau du tiroir peut être plus bas que le bord du tiroir.

Les panneaux doivent être montés à l'aide de supports spéciaux qui se fixent aux dispositifs réglables prévus sur la porte et le tiroir et à l'aide de supports qui ancrent et règlent l'orientation verticale du panneau.

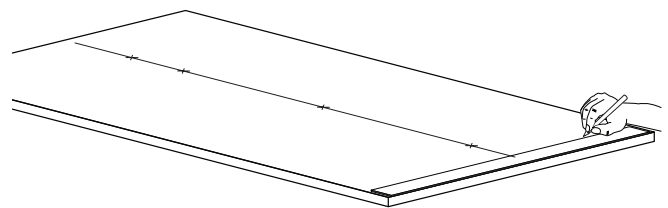
Les supports et les vis de fixation sont fournis avec le réfrigérateur et doivent être appliqués sur le panneau comme indiqué.

#### Suivre ces instructions :

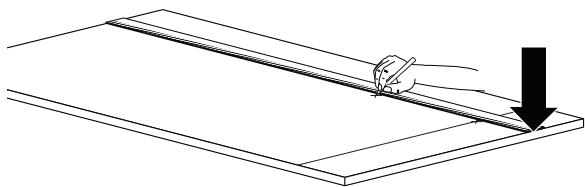
Pour préparer les panneaux à être montés sur le réfrigérateur, suivre les étapes suivantes, en travaillant sur le dos du panneau.

#### Panneau de porte

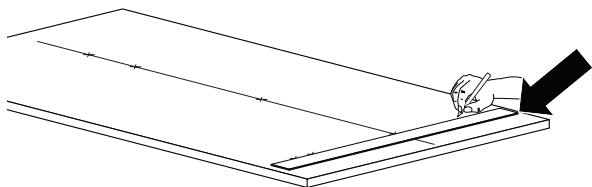
- Tracer une ligne centrale verticale sur le panneau, de haut en bas.



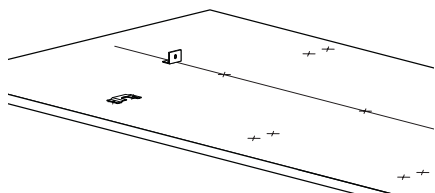
- En partant du bord inférieur du panneau, marquer la position des supports.



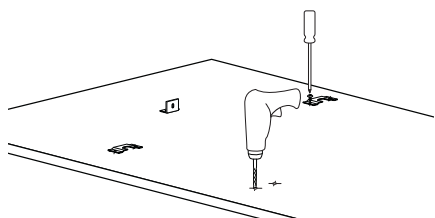
- Marquer le trou extérieur, puis le trou intérieur.



- Positionner les supports sur chaque série de marques pour s'assurer qu'ils sont alignés. Si on choisit de percer de petits trous pilotes pour les vis, s'assurer de ne pas traverser entièrement le panneau.

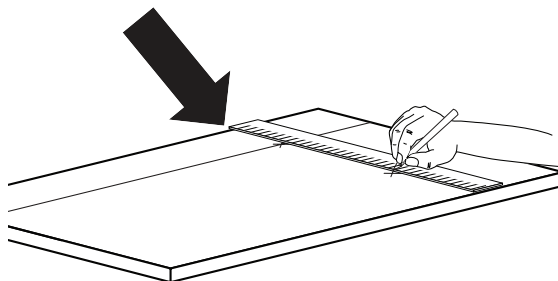


- Visser les supports en place.

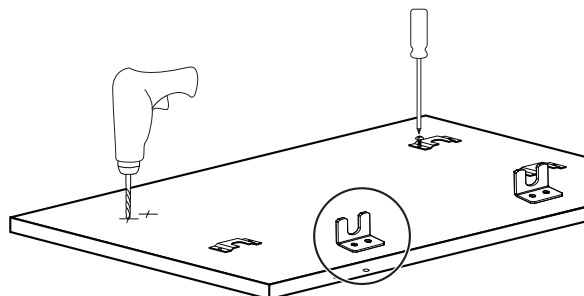


### Panneau de tiroir

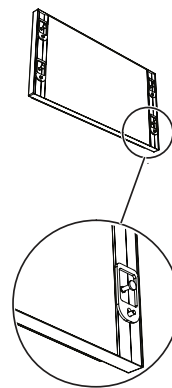
- Pour préparer le panneau de tiroir, suivre les mêmes instructions que pour le panneau de porte, mais s'assurer que les mesures sont prises à partir du bord supérieur.



Les supports de réglage de la hauteur sont orientés dans le sens inverse.



- Préparer la porte du réfrigérateur (et les tiroirs, le cas échéant) pour le montage du panneau en vissant les boulons à épaulement dans les récepteurs encastrés et les vis dans l'autre trou. S'assurer que l'extrémité munie de la douille de la clé hexagonale soit vissée dans la porte et non sur l'extrémité visible. Visser suffisamment loin pour qu'il affleure la face de la porte du réfrigérateur afin de ne pas gêner l'accrochage du panneau. Il faut les régler plus tard à partir de l'intérieur de la porte et du tiroir.

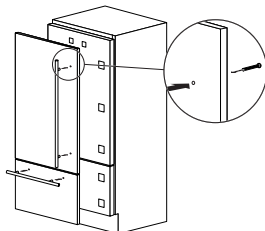


## Fixation des poignées de la porte

**REMARQUE :** Les poignées devront être montées sur les panneaux avant que ces derniers soient installés sur le réfrigérateur.

### Suivre ces instructions :

- Percer deux trous au dos des panneaux.
- Selon le style du panneau, il peut être nécessaire de fraiser les trous pour les têtes de vis.



### Poignée de porte de style NOIR™

**AVANT DE COMMENCER :** La poignée et les pièces de montage de la poignée doivent être installées avant d'installer le panneau personnalisé en bois. L'installation doit être effectuée par un ébéniste qualifié.

### IMPORTANT :

- Cet ensemble est conçu pour être utilisé avec des panneaux personnalisés en bois d'une épaisseur de  $3/4$  po (18 mm) à  $1\ 1/8$  po (28 mm).
- Afin d'éviter d'endommager la poignée, soulever les panneaux de porte et de tiroir par les bords.

**OUTILS REQUIS :** Rassembler les outils et pièces nécessaires avant d'entreprendre l'installation. Lire et observer les instructions fournies avec chacun des outils de la liste ci-dessous.

- Ruban à mesurer
- Crayon
- Perceuse sans fil
- Foret de  $1/4$  po
- Foret de  $11/32$  po
- Mèche emporte-pièce de  $3/4$  po
- Torx T30†
- Tournevis à douille de  $11/32$  po
- Clé dynamométrique

### PIÈCES FOURNIES AVEC LA POIGNÉE :

- Poignée – tiroir du congélateur
- Vis de  $1/4$ -20 X  $0,791$  po
- Poignée – Les \*
- Écrous hexagonaux no 8-32 X  $0,124$  po

### Installation des poignées du réfrigérateur

#### IMPORTANT :

- Vérifier les dimensions du panneau avant de percer des trous.
- Pour connaître l'emplacement des trous et les exigences d'espacement pour le montage des poignées NOIR™, se reporter à l'illustration 1.

**REMARQUE :** L'illustration 1 représente un panneau de congélateur côte à côte (gauche), un panneau de réfrigérateur avec porte double (gauche), un panneau de réfrigérateur à ouverture vers la gauche avec congélateur en bas et un panneau de réfrigérateur/congélateur encastré. Inverser le positionnement des trous pour le panneau de porte opposé.

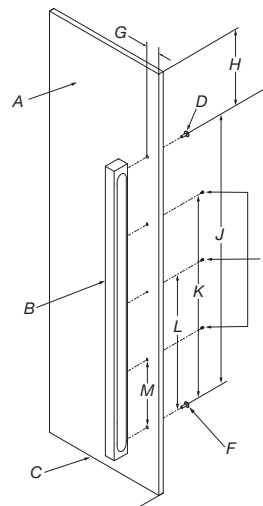
1. Marquer l'emplacement des trous comme indiqué à l'illustration 1.
2. Un dégagement est nécessaire au dos du panneau pour les accessoires de fixation de la poignée. Retourner le panneau pour en révéler l'arrière. À l'aide d'une mèche emporte-pièce de  $3/4$  po, chambrer d'une profondeur de  $9/32$  po (7 mm) aux emplacements de trous du haut et du bas, comme indiqué à l'illustration 2 – détail X.
3. Percer des trous de  $5/16$  po (8,2 mm) aux emplacements du haut et du bas, comme indiqué à l'illustration 2 – détail X.
4. À l'aide d'une mèche emporte-pièce de  $3/4$  po, chambrer d'une profondeur de  $7/16$  po (11,2 mm) aux trois emplacements de trous du milieu, comme indiqué à l'illustration 2 – détail Y.
5. Percer des trous de  $1/4$  po (6,2 mm) aux trois emplacements du milieu, comme indiqué à l'illustration 2 – détail Y.

**REMARQUE :** Vérifier la profondeur des trous en plaçant temporairement les accessoires de fixation dans les trous.

6. Placer la poignée sur le côté avant du panneau. À l'aide d'un tournevis Torx T30, fixer la poignée au panneau en serrant les deux vis de  $1/4$  po à chaque bout de la poignée. Le couple de serrage recommandé pour les vis est de 28 lb-po. Serrer trois écrous no 8-32 aux trois emplacements du centre. Les écrous devraient arriver en affleurement.

**REMARQUE :** Ne pas serrer excessivement. Ne pas utiliser de tournevis à percussion.

7. Si le réfrigérateur possède deux portes ou des portes côte à côte, répéter les étapes 1 à 6 pour installer l'autre poignée.

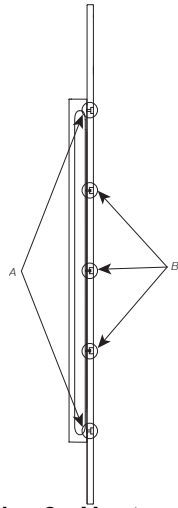


**Illustration 1 – Porte du réfrigérateur/congélateur**

- |   |                           |
|---|---------------------------|
| A. Panneau de porte                         | G. $1\ 13/16$ po (46 mm)  |
| B. Poignée NOIR™                            | H. $5\ 5/8$ po (142 mm)   |
| C. Surface inférieure du panneau de porte   | I. $38\ 1/8$ po (968 mm)  |
| D. 1 vis $1/4$ -20 x $0,791$ po             | J. $28\ 5/18$ po (726 mm) |
| E. 3 écrous hexagonaux no 8-32 x $0,124$ po | K. 19 po (241 mm)         |
| F. 1 vis $1/4$ -20 x $0,791$ po             | L. $9\ 1/2$ po (241 mm)   |

† TORX et T30 sont des marques déposées de Acument Intellectual Properties, LLC.

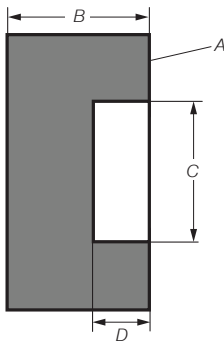
\*numéros de la porte du réfrigérateur peuvent varier en fonction du modèle de réfrigérateur et du type de poignée.



**Illustration 2 – Vue transversale**

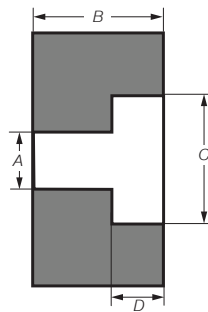
- A. 2X les détails de référence X  
B. 3X les détails de référence Y

**Détail X**



**Étape 2**

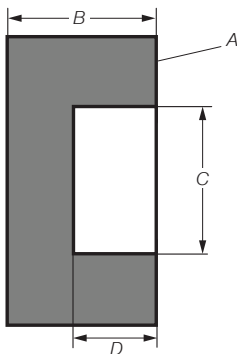
- A. Dos du panneau  
B. 3/4 po (19,05 mm)  
C. 3/4 po (19,05 mm)  
D. 1/4 po (7 mm)



**Étape 3**

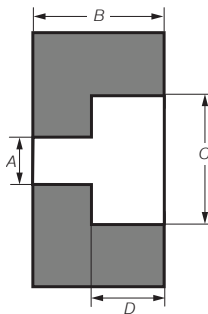
- A. 5/16 po (8,3 mm)  
B. 3/4 po (19,05 mm)  
C. 3/4 po (19,05 mm)  
D. 1/4 po (7 mm)

**Détail Y**



**Étape 4**

- A. Dos du panneau  
B. 3/4 po (19,05 mm)  
C. 3/4 po (19,05 mm)  
D. 7/16 po (11,2 mm)



**Étape 5**

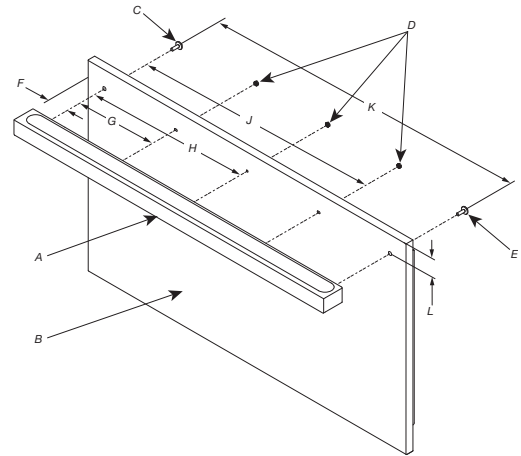
- A. 1/4 po (6,2 mm)  
B. 3/4 po (19,05 mm)  
C. 3/4 po (19,05 mm)  
D. 7/16 po (11,2 mm)

## Installation de la poignée du tiroir du congélateur

### IMPORTANT :

- Vérifier les dimensions du panneau avant de percer des trous.
  - Vérifier que les trous sont positionnés au centre avant de percer les trous.
1. Un dégagement est nécessaire au dos du panneau pour les accessoires de fixation de la poignée. Retourner le panneau pour en révéler l'arrière. À l'aide d'une mèche emporte-pièce de 3/4 po, chambrer d'une profondeur de 9/32 po (7 mm) aux emplacements de trous de gauche et de droite, comme indiqué à l'illustration 4 – détail X.
  2. Percer des trous de 5/16 po (8,2 mm) aux emplacements de gauche et de droite, comme indiqué à l'illustration 4 – détail X.
  3. À l'aide d'une mèche emporte-pièce de 3/4 po, chambrer d'une profondeur de 7/16 po (11,2 mm) aux trois emplacements de trous du milieu, comme indiqué à l'illustration 4 – détail Y.
  4. Percer des trous de 1/4 po (6,2 mm) aux trois emplacements du milieu, comme indiqué à l'illustration 4 – détail Y.
- REMARQUE:** Vérifier la profondeur des trous en plaçant temporairement les accessoires de fixation dans les trous.
5. Placer la poignée sur le côté avant du panneau. À l'aide d'un tournevis Torx T30, fixer la poignée au panneau en serrant les deux vis de 1/4 po à chaque bout de la poignée. Couple de serrage de vis recommandé : 28 lb-po (193 kPa). Fixer trois écrous no 8-32 aux trois emplacements du milieu. Les écrous devraient arriver en affleurement.

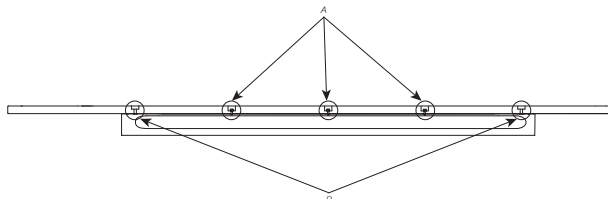
**REMARQUE:** Ne pas serrer excessivement. Ne pas utiliser de tournevis à percussion.



**Illustration 3 – Tiroir du congélateur**

- |   |                         |
|---|-------------------------|
| A. Poignée NOIR                           | G. 7 11/16 po (170 mm)  |
| B. Panneau de porte                       | H. 13 3/8 po (340 mm)   |
| C. 1 vis 1/4-20 x 0,791 po                | I. 20 1/8 po (511 mm)   |
| D. 3 écrous hexagonaux no 8-32 x 0,124 po | J. 26 16/16 po (681 mm) |
| E. 1 vis 1/4-20 x 0,791 po                | K. 2 po (51 mm)         |
| F. 1 5/8 po (41 mm)                       |                         |

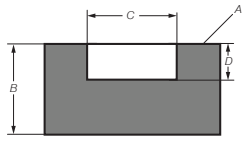




**Illustration 4 – Vue transversale**

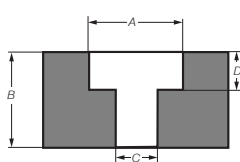
A. 3X les détails de référence Y  
B. 2X les détails de référence X

**Détail X**



**Étape 2**

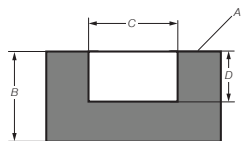
- A. Dos du panneau
- B. 3/4 po (19,05 mm)
- C. 3/4 po (19,05 mm)
- D. 1/4 po (7 mm)



**Étape 3**

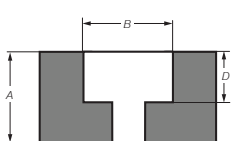
- A. 3/4 po (19,05 mm)
- B. 3/4 po (19,05 mm)
- C. 5/16 po (8,3 mm)
- D. 1/4 po (7 mm)

**Détail Y**



**Étape 4**

- A. Dos du panneau
- B. 3/4 po (19,05 mm)
- C. 3/4 po (19,05 mm)
- D. 7/16 po (11,2 mm)



**Étape 5**

- A. 3/4 po (19,05 mm)
- B. 3/4 po (19,05 mm)
- C. 1/4 po (6,2 mm)
- D. 7/16 po (11,2 mm)

**Poignée de porte de style RISE™**

**AVANT DE COMMENCER :** La poignée et les pièces de montage de la poignée doivent être installées avant d'installer le panneau personnalisé en bois. L'installation doit être effectuée par un ébéniste qualifié.

**IMPORTANT :**

- Cet ensemble est conçu pour être utilisé avec des panneaux personnalisés en bois d'une épaisseur de 3/4 po (18 mm) à 1 1/8 po (28 mm).
- Afin d'éviter d'endommager la poignée, soulever les panneaux de porte et de tiroir par les bords.

**OUTILS REQUIS :** Rassembler les outils et pièces nécessaires avant d'entreprendre l'installation. Lire et observer les instructions fournies avec chacun des outils de la liste ci-dessous.

- Ruban à mesurer
- Crayon
- Perceuse sans fil
- Foret de 1/4 po
- Foret de 11/32 po
- Mèche emporte-pièce de 3/4 po
- Torx T30†
- Tournevis à douille de 11/32 po
- Clé dynamométrique

**PIÈCES FOURNIES AVEC LA POIGNÉE :**

- Poignée – tiroir du congélateur
- Poignée – Les \*
- Vis de 1/4-20 X 1,5 po

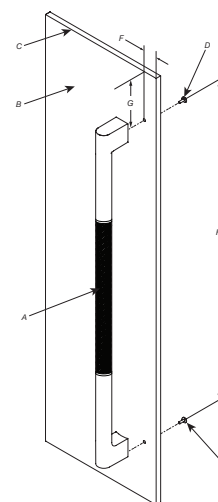
**Installation des poignées du réfrigérateur**

**IMPORTANT :**

- Vérifier les dimensions du panneau avant de percer des trous.
- Pour connaître l'emplacement des trous et les exigences d'espacement pour le montage des poignées RISE™, se reporter à l'illustration 1.

**REMARQUE :** L'illustration 5 représente un panneau de congélateur côte à côte (gauche), un panneau de réfrigérateur avec porte double (gauche), un panneau de réfrigérateur à ouverture vers la gauche avec congélateur en bas et un panneau de réfrigérateur/congélateur encastré. Inverser le positionnement des trous pour le panneau de porte opposé.

1. Un dégagement est nécessaire au dos du panneau pour les accessoires de fixation de la poignée. Retourner le panneau pour en révéler l'arrière. À l'aide d'une mèche emporte-pièce de 3/4 po, chambrer d'une profondeur de 1/4 po (7 mm) aux emplacements de trous du haut et du bas, comme indiqué à l'illustration 6 – détail X.
2. Percer un trou de 5/16 po (8,3 mm) aux emplacements du haut et du bas, comme indiqué à l'illustration 6 – détail X.  
**REMARQUE:** Vérifier la profondeur des trous en plaçant temporairement les accessoires de fixation dans les trous.
3. Placer la poignée sur le côté avant du panneau. À l'aide d'un tournevis Torx T30, fixer la poignée au panneau en serrant les deux vis de 1/4 po à chaque bout de la poignée. Couple de serrage de vis recommandé : 28 lb/po (193 kPa).  
**REMARQUE:** Ne pas serrer excessivement. Ne pas utiliser de tournevis à percussion.
4. Si le réfrigérateur possède deux portes ou des portes côte à côte, répéter les étapes 1 à 3 pour installer l'autre poignée.



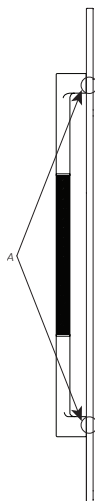
**Illustration 5 – Porte du réfrigérateur/congélateur**

- A. Poignée RISE™
- B. Panneau de porte
- C. Surface supérieure du panneau de porte
- E. 1 vis 1/4-20 x 1,5 po
- F. 1 13/16 po (46 mm)
- G. 5 11/16 po (144 mm)
- H. 37 7/8 po (963 mm)

† TORX et T30 sont des marques déposées de Acument Intellectual Properties, LLC.

\*numéros de la porte du réfrigérateur peuvent varier en fonction du modèle de réfrigérateur et du type de poignée.

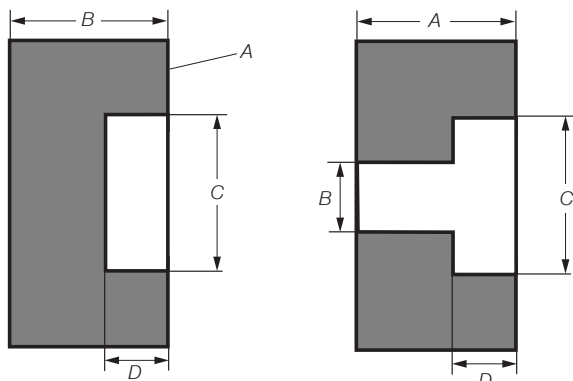
D. 1 vis 1/4-20 x 1,5 po



**Illustration 6 – Vue transversale**

A. 2X les détails de référence X

**Détail X**



**Étape 2**

**Étape 3**

- |                      |                      |
|----------------------|----------------------|
| A. Dos du panneau    | A. 3/4 po (19,05 mm) |
| B. 3/4 po (19,05 mm) | B. 5/16 po (8,3 mm)  |
| C. 3/4 po (19,05 mm) | C. 3/4 po (19,05 mm) |
| D. 1/4 po (7 mm)     | D. 1/4 po (7 mm)     |

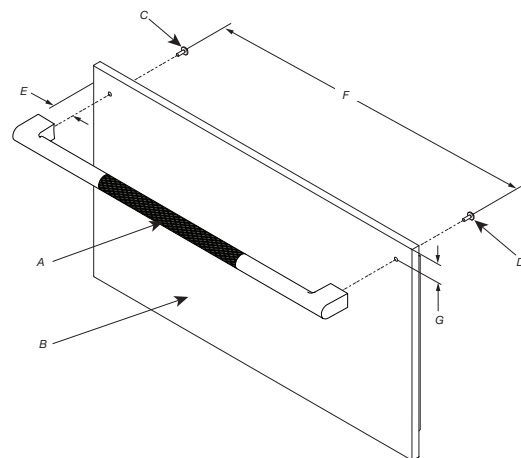
**Installation de la poignée du tiroir du congélateur**

**IMPORTANT :**

- Vérifier les dimensions du panneau avant de percer des trous.
  - Vérifier que les trous sont positionnés au centre avant de percer les trous.
1. Un dégagement est nécessaire au dos du panneau pour les accessoires de fixation de la poignée. Retourner le panneau pour en révéler l'arrière. À l'aide d'une mèche emporte-pièce de 3/4 po, chambrer d'une profondeur de 1/4 po (7 mm) aux emplacements de trous de gauche et de droite, comme indiqué à l'illustration 8 – détail X.
  2. Percer des trous de 5/16 po (8,3 mm) aux emplacements de gauche et de droite, comme indiqué à l'illustration 8 – détail X.
  3. Placer la poignée sur le côté avant du panneau. À l'aide d'un tournevis Torx T30, fixer la poignée au panneau en serrant les deux vis de 1/4 po à chaque bout de la poignée. Couple de serrage de vis recommandé : 28 lb/po (193 kPa).

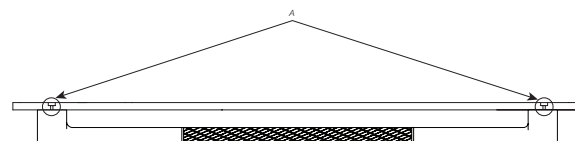
**REMARQUE:** Ne pas serrer excessivement. Ne pas

utiliser de tournevis à percussion.



**Illustration 7 – Tiroir du congélateur**

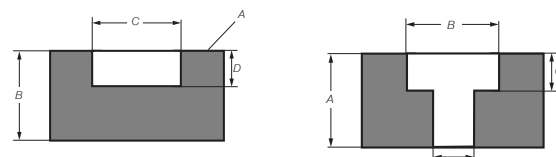
- |                          |                       |
|--------------------------|-----------------------|
| A. Poignée RISE™         | E. 1 11/16 po (43 mm) |
| B. Panneau de tiroir     | F. 26 5/8 po (676 mm) |
| C. 1 vis 1/4-20 x 1,5 po | G. 2 po (51 mm)       |
| D. 1 vis 1/4-20 x 1,5 po |                       |



**Illustration 8 – Vue transversale**

A. 2X les détails de référence X

**Détail X**



**Étape 2**

**Étape 3**

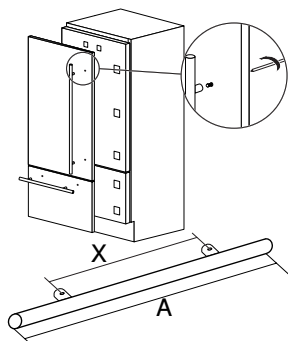
- |                      |                      |
|----------------------|----------------------|
| A. Dos du panneau    | A. 3/4 po (19,05 mm) |
| B. 3/4 po (19,05 mm) | B. 3/4 po (19,05 mm) |
| C. 3/4 po (19,05 mm) | C. 1/4 po (7 mm)     |
| D. 1/4 po (7 mm)     | D. 5/16 po (8,3 mm)  |

- Placer la poignée au-dessus des trous et insérer les vis à travers la rondelle, le panneau, le support et dans les récepteurs filetés de la poignée.
- Placer fermement, mais ne pas trop serrer, car la poignée ou le panneau pourraient être endommagés.

## Installation des poignées de porte et de tiroir

Suivre les étapes ci-dessous pour installer les poignées sur les portes et les tiroirs :

- Insérer les extrémités de la poignée sur les supports déjà installés sur la porte et le tiroir.



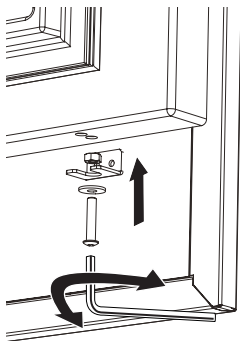
- Serrer les vis à tête hexagonale sur la poignée.  
**IMPORTANT :** Les vis doivent être serrées à l'aide d'une clé ou d'une douille hexagonale de 1/8 po (2,5 mm).

## Fixation des panneaux de porte et du tiroir inférieur

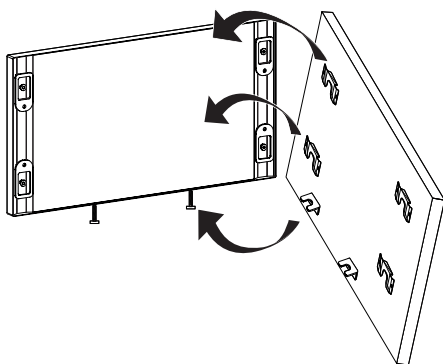
**REMARQUE :** Une fois tous les supports et les poignées fixés aux panneaux, commencer l'installation du tiroir inférieur.

**Suivre ces instructions :**

- Ne pas serrer complètement la vis sur le récepteur.

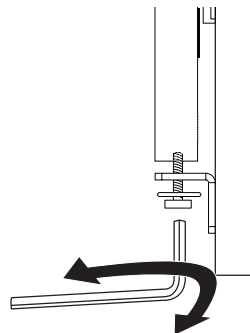


- Placer le panneau du tiroir inférieur en commençant par les boulons d'ajustement en bas.

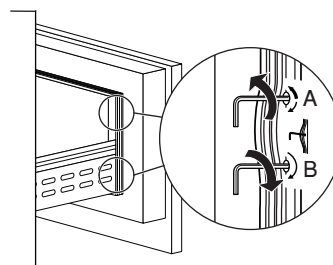


- Il est maintenant possible d'aligner en hauteur les panneaux avec les armoires adjacentes à l'aide des boulons d'alignement inférieurs et des supports, en serrant ou en desserrant les vis pour les mettre en position selon les besoins. Sans serrer complètement la vis, déplacer manuellement le panneau latéralement pour l'aligner sur les autres panneaux de l'appareil ou sur d'autres structures adjacentes.

Régler les boulons de réglage inférieurs à l'aide du contre-écrou une fois que l'alignement de la hauteur est satisfaisant.

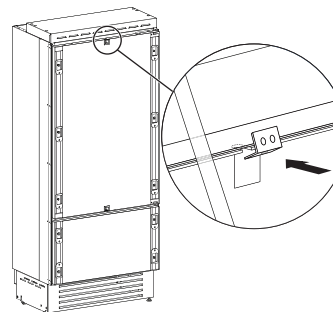


- Alignement de la profondeur : en travaillant de l'intérieur du tiroir, après avoir soulevé le joint magnétique ou tourné la plaque de recouvrement si nécessaire, ajuster la position du panneau dans la direction Z en ajustant les boulons à épaulement et les vis de réglage avec la clé hexagonale de 4 mm en conjonction les uns avec les autres pour finalement verrouiller chaque position de montage en place.

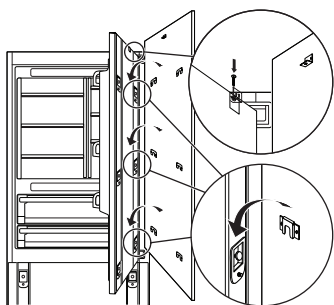


A. Adjustment Réglage  
B. Lock Blocage

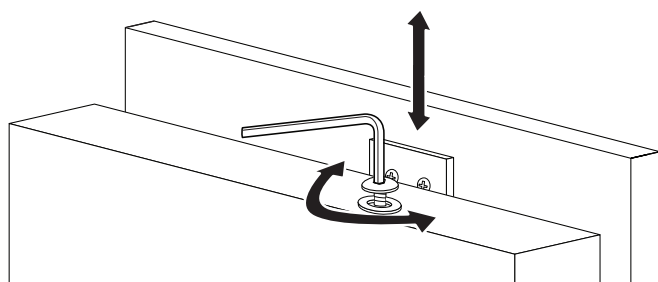
- Fixer le panneau aux dispositifs de fixation en commençant par les supports d'alignement supérieurs.



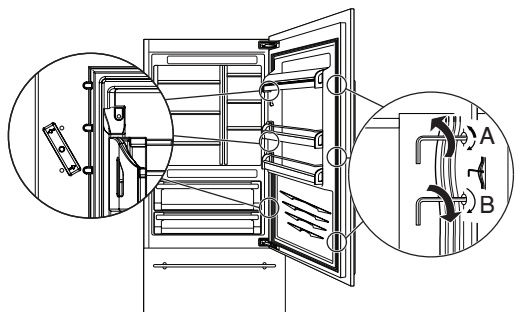
- À ce stade, l'alignement entre le panneau et les armoires adjacentes peut être effectué à l'aide des supports d'alignement et des petits supports.



- Alignement vertical : serrer ou desserrer la vis dans les supports pour élever ou abaisser le panneau.



- Alignement de la profondeur : en travaillant de l'intérieur de la porte, après avoir soulevé le joint magnétique du côté de la poignée et fait tourner les couvercles en plastique du côté des charnières, régler la position du panneau dans la direction Z en ajustant les boulons à épaulement et les vis sans tête à l'aide de la clé hexagonale de 4 mm, en conjonction les uns avec les autres, pour finalement verrouiller chaque position de montage en place.

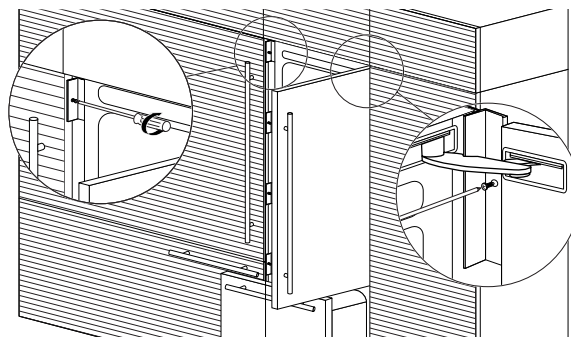


A. Adjustment Réglage  
B. Lock Blocage

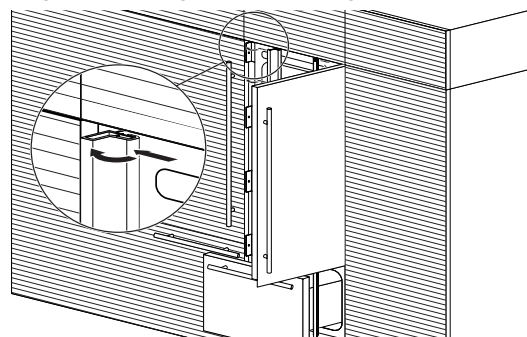
**REMARQUE :** Une fois le panneau avant ajusté, vérifier que le joint a été repositionné correctement afin de garantir que la porte/le tiroir se ferme correctement et d'éviter les erreurs de fonctionnement de l'appareil.

- Pour assurer une bonne ventilation de votre réfrigérateur, prévoir un espace de 5 mm derrière le réfrigérateur afin d'éviter toute surchauffe.
- Avant de déplacer le réfrigérateur, vérifier que les pieds sont relevés (aucun contact avec le plancher) et que le réfrigérateur repose sur ses roulettes afin d'éviter d'endommager le plancher.
- Fixer les brides antibasculement (voir page 8).

- Fixer les supports de montage de la grille supérieure et la grille supérieure.



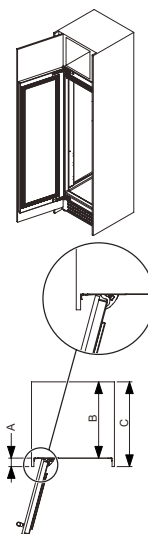
- Insérer un bord de chaque (B) « couvercle de garniture de profilé » dans chacune des (A) « garnitures de connexion de profilé » et pousser fermement jusqu'à entendre un « clic ». Voir l'image en haut à gauche de la page 13.



### Profondeur maximale de l'armoire au-dessus d'un réfrigérateur « encastré » avec un seul panneau de porte

Il est possible de concevoir un panneau qui sera le même pour la structure où le réfrigérateur sera placé et l'armoire au-dessus de la même structure.

Dans cette situation, la profondeur totale de l'armoire sans la porte (au-dessus du réfrigérateur) ne doit pas dépasser la profondeur totale du réfrigérateur lui-même.



- A.  $1\frac{7}{8}$  po (47 mm) + épaisseur du panneau avant
- B. 23 po (585 mm)
- C.  $25\frac{5}{8}$  po (650 mm)

Cela permettra au panneau fixé à la porte du réfrigérateur de s'ouvrir correctement sans interférence pendant sa rotation jusqu'à 105°.

## Mise à niveau

### **⚠ AVERTISSEMENT**

#### Risque de poids excessif

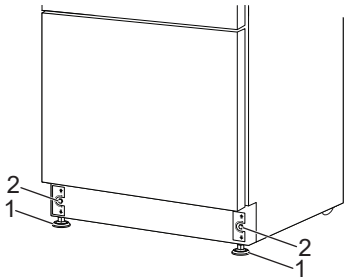
Utiliser deux personnes ou plus pour déplacer et installer l'appareil.

Le non-respect de cette instruction peut causer une blessure au dos ou d'autres blessures.

**IMPORTANT :** Les quatre roulettes doivent toucher le plancher pour supporter et stabiliser le poids total du réfrigérateur. Les roulettes ne sont utilisées que pour le déplacement du réfrigérateur, et non pas pour un soutien permanent.

Après avoir déplacé le réfrigérateur jusqu'à sa position de service finale :

1. Utiliser un tournevis à douille de 11/16 po (17 mm) pour faire tourner les boulons de réglage de l'aplomb dans le sens horaire ou antihoraire et ajuster les pieds sur le plancher (voir illustration). Les roulettes ne doivent plus être en contact avec le plancher.



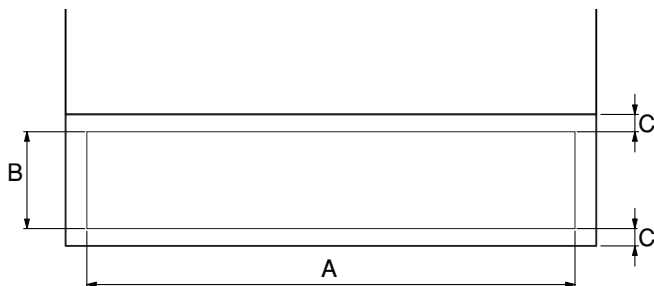
2. Ajuster les pieds de réglage de l'aplomb et établir l'aplomb du réfrigérateur de gauche à droite et d'avant à arrière de façon à ce qu'il soit d'aplomb et aligné avec les armoires.
3. Poursuivre l'ajustement des pieds de nivellement jusqu'à ce que le sommet du réfrigérateur soit en contact avec le bas du soffite massif ou le bas des planches antibasculement (si l'on en utilise). Ne pas écraser le couvercle du compresseur.

**IMPORTANT :** Ajuster par petits à-coups pour éviter d'endommager la garniture de l'armoire et causer des problèmes d'alignement de la porte ou d'insertion de la grille supérieure.

## Installation de la grille de la base

La grille assure la ventilation et est placée à l'avant, dans la partie inférieure du réfrigérateur.

S'il y a un garde-pieds, il doit être conçu pour maintenir un débit d'air satisfaisant, comme décrit dans le dessin ci-dessous.



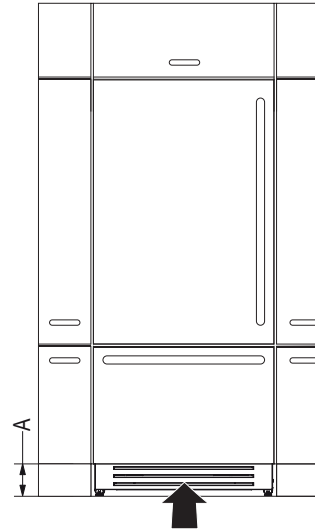
A	27 15/16 po (710 mm)
B	> 4 po (100 mm)
C	3/8 po (10 mm)

La surface totale est égale à la moitié de la surface du garde-pieds, de sorte que les trous peuvent être de n'importe quelle taille et de n'importe quelle forme.

Pour obtenir une meilleure circulation d'air, il est conseillé de retirer la grille avant du réfrigérateur.

La grille est fixée au réfrigérateur à l'aide de plaques magnétiques, ce qui permet au client de la retirer et de la nettoyer régulièrement.

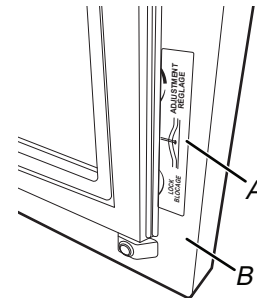
**REMARQUE :** L'entrée et la sortie d'air ne doivent pas être bloquées et le condenseur doit être nettoyé régulièrement.



A. 4 po (100 mm)

## Achever l'installation

1. Retirer l'étiquette une fois l'installation terminée.



A. Étiquette  
B. Porte

2. Tourner le robinet de la canalisation d'eau à la position « Ouverte ».
3. Tourner le commutateur du réfrigérateur à la position ON (marche). Voir la section « Interrupteur d'alimentation marche/arrêt » dans le Guide d'utilisation et d'entretien pour plus d'instructions. Attendre quelques minutes. Vérifier les raccords de la canalisation d'eau pour confirmer l'absence de fuites.

4. Retirer les boîtes, composants et matériaux d'emballage de l'intérieur du réfrigérateur. Voir la section « Nettoyage » dans le Guide d'utilisation et d'entretien pour les instructions. Ôter la pellicule et le carton de la grille et des portes ou du châssis de la porte, selon le modèle.
5. Installer les tablettes et balconnets dans les compartiments de réfrigération et de congélation.
6. Les commandes sont préréglées à l'usine au réglage moyen. S'assurer que le compresseur fonctionne bien et que tous les témoins sont en bon état de marche.
7. Purger le circuit d'eau avant l'utilisation. Voir la section « Préparation du circuit d'eau ».

## CARACTÉRISTIQUES DU RÉFRIGÉRATEUR

### Utilisation du réfrigérateur

#### Utilisation du réfrigérateur avec commandes électroniques

Cet appareil est muni d'une commande de température électronique facile à utiliser et à la fine pointe de la technologie sur le panneau avant de la porte du réfrigérateur.



#### Date

L'écran affiche la date au format (jour:mois:année).

En touchant l'écran, il est possible de modifier les paramètres.



#### Durée

L'écran affiche les heures et les minutes au format hh:mm.

Cette fonction permet de sélectionner l'affichage à 12 heures ou à 24 heures.



#### Degrés Celsius ou Fahrenheit

Cette fonction permet d'afficher la température en degrés centigrades ou Fahrenheit. Normalement, le réfrigérateur est réglé pour afficher en degrés centigrades.



#### Langue

Pour régler la langue du réfrigérateur, il suffit d'appuyer sur la touche de réglage de l'écran.



#### Réinitialiser

Il donne la possibilité de réinitialiser les paramètres de base définis en usine, en annulant tous les changements qui ont été effectués depuis ce point.



#### Mode de démonstration

Il est possible de simuler le fonctionnement du réfrigérateur, pour la présentation en salle d'exposition ou pour les foires.

La fonction Demo Mode (mode de démonstration) fonctionne lorsque les compartiments sont à la température programmée.



#### Maintenance

Les appareils nécessitent, pour un bon fonctionnement, que la grille de ventilation, le filtre et le condenseur soient nettoyés. Le réglage par défaut de l'appareil est « Warning disabled » (Avertissement désactivé).



#### Réparation

La fonction de réparation est réservée à l'assistance.



#### Infos système

La fonction nfo System (infos système) affiche les données des produits, par exemple le code du logiciel, le numéro de série et les codes d'usine du réfrigérateur.

## Distributeurs d'eau et de glaçons

Suivre les instructions pour assurer la sécurité hygiénique de l'eau distribuée.

- Lors de la première utilisation du réfrigérateur et à chaque remplacement du filtre, il est recommandé de laisser couler l'eau dans le circuit à l'aide d'un « Nettoyage manuel » et de jeter la glace produite au cours des 24 premières heures.
- Si le distributeur d'eau n'a pas été utilisé pendant plus de 4 à 5 jours, il est recommandé de nettoyer le circuit et de laisser couler le premier litre d'eau.
- Repositionner le distributeur d'eau amovible (s'il y en a un) en veillant à ce que vos mains soient hygiéniquement propres.
- Nettoyer régulièrement le bac à glaçons en utilisant uniquement de l'eau potable.
- Le filtre doit être changé lorsqu'il est indiqué sur le tableau de commande ou lorsque le distributeur d'eau/de glaçons n'a pas été utilisé pendant plus de 30 jours.
- Lors de chaque remplacement de filtre, désinfecter le système de distribution de glaçons et d'eau à l'aide d'un désinfectant de qualité alimentaire (avec de l'hypochlorite de sodium), qui ne modifie pas les caractéristiques des matériaux. Rincer le circuit avec au moins 2 litres d'eau avant utilisation.
- Utiliser uniquement les pièces détachées fournies par le fabricant pour remplacer des composants du distributeur d'eau et de glaçons.
- Toute intervention sur le réfrigérateur doit être effectuée par un technicien qualifié ou par le service après-vente.
- Nettoyer les contenants d'eau s'ils n'ont pas été utilisés pendant 48 heures; vidanger le système d'eau raccordé à l'alimentation en eau si de l'eau n'a pas été distribuée pendant 5 jours.
- Si le réfrigérateur reste vide pendant de longues périodes, l'éteindre, le dégivrer, le nettoyer, le sécher et laisser la porte ouverte pour éviter le développement de moisissures à l'intérieur de l'appareil.

# Machine à glaçons



## REMARQUE :

- Si les glaçons ne sont pas utilisés fréquemment, il est conseillé de vider le bac à glaçons une fois tous les 8 à 10 jours. Il est normal que certains glaçons se collent les uns aux autres. Si les glaçons ne sont pas utilisés fréquemment, les cubes les plus anciens peuvent devenir opaques, avoir un goût étrange et devenir plus petits.
- La machine à glaçons se désactive automatiquement si la fonction Vacation (vacances) est activée. Lorsque la machine à glaçons est mise en marche pour la première fois, il est recommandé de jeter le premier bac de glaçons plein.
- Si l'appareil a été éteint pendant un mois ou plus, il est recommandé d'effectuer un programme de nettoyage de l'eau et du filtre.

**IMPORTANT :** La machine à glaçons continuera de fonctionner même si le bac à glaçons n'est pas en place.

- Pour activer la machine à glaçons après l'installation de l'appareil, toucher l'icône de fonction, puis l'icône de la machine à glaçons dans les fonctions.
- Prévoir un délai de 24 heures pour la production du premier lot de glaçons.
- La production est de 10 cubes par cycle et environ 10 cycles en 24 heures.
- Le rendement dépend de la température réglée dans le congélateur, de la température ambiante et de la fréquence d'ouverture de la porte.
- Si le réfrigérateur fonctionne sans être raccordé à une alimentation en eau, s'assurer que la machine à glaçons est désactivée.
- La machine à glaçons produit des glaçons jusqu'à ce que le bac à glaçons soit plein et s'arrête automatiquement lorsque le niveau maximum est atteint.

- La fonction SuperIce (accélération) permet d'augmenter la quantité de glaçons produits en 24 heures, tandis que la fonction Set Cube Size (taille des glaçons) permet de sélectionner la taille des glaçons produits.
- Le bac à glaçons doit être nettoyé de temps en temps avec de l'eau chaude pour éviter les odeurs. S'assurer d'éteindre la machine à glaçons avant de vider le bac. Rincer et sécher.
- Vérifier que le contenu du congélateur ne contient pas d'aliments avariés ou périmés. Tous les aliments odorants doivent être soigneusement emballés ou conservés dans des récipients hermétiques afin d'éviter l'accumulation d'odeurs.

## Bruits de fonctionnement

- Grognement : le réfrigérateur fonctionne. Le ventilateur du système de recyclage de l'air fonctionne.
- Bruits de bulles, de bourdonnement ou de gargouillement : le réfrigérant circule dans les tubes.
- Clic : le moteur s'allume ou s'éteint. L'électrovanne sur le raccordement d'eau s'ouvre/se ferme.
- Grondement : les glaçons tombent dans le bac à glaçons.

**IMPORTANT :** Ne pas placer de bouteilles ou d'aliments à refroidir rapidement dans le bac à glaçons. La machine à glaçons peut se bloquer et être endommagée.

