

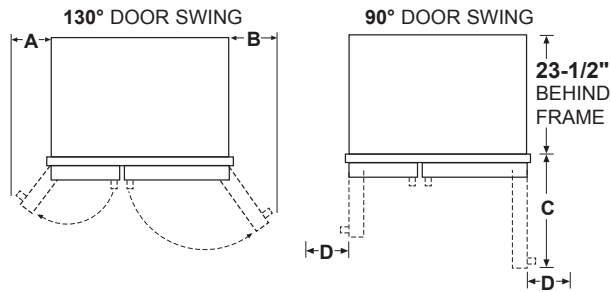
PSB48YSN

GE Profile™ Series 48" Built-In Side-By-Side Refrigerator with Dispenser

DIMENSIONS AND INSTALLATION INFORMATION

PRODUCT CLEARANCES

These refrigerators are equipped with a 3-position door stop. The factory set 115° door swing can be adjusted to 90° if clearance to adjacent cabinets or walls is restricted.



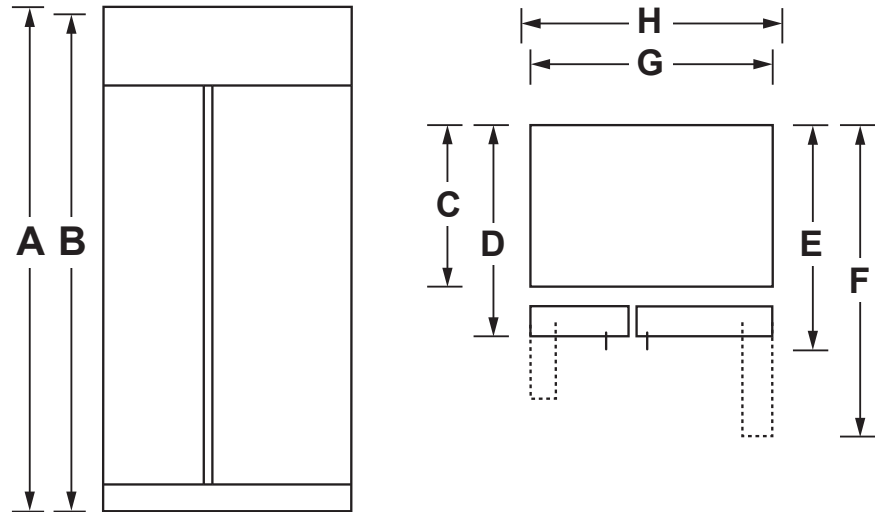
MODELS	A	B	C	D
48"	13-13/16"	18-15/16"	28-5/6"	4-5/8"

Allow minimum clearances for Freezer door (Dimension A) and Fresh Food door (Dimension B) for a full 130° door swing and to allow for drawer removal.

4 5/8" minimum clearance is required when door swing is adjusted to 90°. If the 90° door stop position is used, drawer access is maintained, but drawer removal is restricted.

STAINLESS STEEL WRAPPED REFRIGERATORS

Stainless Steel wrapped refrigerators have wrapped doors and grille panels, and beveled edges. These models are shipped ready for installation.



Overall Dimensions	Height to top of grill (in.) A	84
	Height to top of case (in.) B	83-1/2
	Case depth without door (in.) C	23-1/2
	Case depth less door handle (in.) D	25-3/4
	Case depth with door handle (in.) E	28-3/8
	Depth with fresh food door open 90° (in.) F	52-3/8
	Width (in.) G	48
	Width with door open 90° inc. handle (in.) H	53-7/8



For answers to your GE Profile™ Series or GE Appliances product questions, visit our website at geappliances.com or call GE Answer Center® Service, 800.626.2000.



Total volume and shelf area are calculated by the Association of Home Appliance Manufacturers' standards.



Listed by Underwriters Laboratories



PSB48YSN

GE Profile™ Series 48" Built-In Side-By-Side Refrigerator with Dispenser

DIMENSIONS AND INSTALLATION INFORMATION

GROUNDING THE REFRIGERATOR

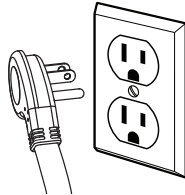
IMPORTANT—PLEASE READ CAREFULLY FOR PERSONAL SAFETY, THIS APPLIANCE MUST BE PROPERLY GROUNDED.

The power supply cord of this appliance is equipped with a three-prong (grounding) plug which mates with a standard three-prong (grounding) wall receptacle to minimize the possibility of electric shock hazard from this appliance.

Have the wall outlet and circuit checked by a qualified electrician to make sure the outlet is properly grounded.

Where a standard 2-prong wall outlet is encountered, it is your personal responsibility and obligation to have it replaced with a properly grounded 3-prong wall outlet.

DO NOT, UNDER ANY CIRCUMSTANCES, CUT OR REMOVE THE THIRD (GROUND) PRONG FROM THE POWER CORD.



DO NOT USE AN ADAPTER PLUG TO CONNECT THE REFRIGERATOR TO A 2-PRONG OUTLET.

DO NOT USE AN EXTENSION CORD WITH THIS APPLIANCE.

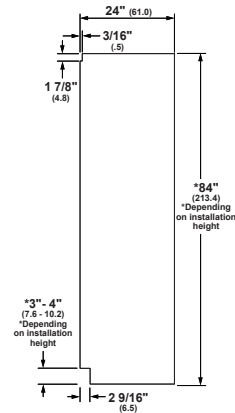


For answers to your GE Profile™ Series or GE Appliances product questions, visit our website at geappliances.com or call GE Answer Center® Service, 800.626.2000.

SIDE PANELS

Side panels (not supplied) must be used whenever the sides of the refrigerator will be exposed. The 1/4" side panels will slip into the side case trim. Order side panels from your cabinet manufacturer.

*Depending on installation height.



FLOORING

For proper installation, this refrigerator must be placed on a level surface of hard material that is at the same height as the rest of the flooring. This surface should be strong enough to support a fully loaded refrigerator, or approximately 1500 lbs.

NOTE: Protect the finish of the flooring. Cut a large section of the cardboard carton and place under the refrigerator where you are working.

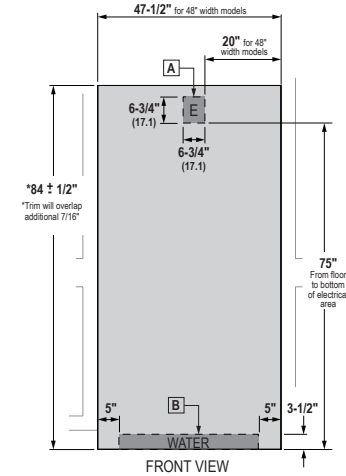
WATER AND ELECTRICAL LOCATIONS

The opening must be prepared with the electrical and water supply located as shown.

THE CUTOUT DEPTH MUST BE 24"

The refrigerator will project forward, slightly beyond adjacent cabinets, depending on your installation.

THE INSTALLATION SPACE



A – Mounting the junction in this location will also allow for front accessibility through access panel.

B – Water supply area.

ADDITIONAL SPECIFICATIONS

A 120 volt, 60Hz, 15 or 20 amp power supply is required. An individual properly grounded branch circuit or circuit breaker is recommended. Install a properly grounded 3-prong electrical receptacle recessed into the back wall. Electrical must be located on rear wall as shown.

NOTE: GFI (ground fault interrupter) is not recommended.

Water line can enter the opening through the floor or rear wall. The water line installed should be 1/4" O.D. copper tubing or GE SmartConnect™ tubing between the cold water line and water connection location. The line should be long enough to extend to the front of the refrigerator. Installation of an easily accessible shutoff valve in the water line is required.



Total volume and shelf area are calculated by the Association of Home Appliance Manufacturers' standards.



Listed by Underwriters Laboratories



Specification Created 1/20

PSB48YSN

GE Profile™ Series 48" Built-In Side-By-Side Refrigerator with Dispenser

FEATURES AND BENEFITS

48" Built-In Configuration - Enjoy the streamlined appearance of a built-in refrigerator, designed to fit inside cabinetry

Integrated Dispenser with LED Lighting – Have access to ice and water, and to refrigerator controls like temperature settings, with a dispenser that's integrated into your refrigerator door

LED Lighting – Find any item in your refrigerator with ease, thanks to bright, efficient lighting that illuminates the fresh-food and freezer compartments

Climate Controlled Drawer – Alter your drawer's internal temperature to suit the food inside, using one of three temperature settings: Meat, Produce or Citrus

Built-In WiFi – Monitor and control your refrigerator from your smartphone, and receive helpful alerts if the door is left open or service is needed

Fresh Food Multi-Level Drawers – Provide the ideal environment for storing your fruits and vegetables

Adjustable spillproof glass shelves – Raised edges help contain spills to make clean up quick and easy

Large door bins - Offers ideal space for storing large containers in the door, freeing up valuable shelf space

Adjustable Freezer Shelves – Make room for a variety of frozen foods, using four wire shelves that are designed for easy adjustability

Built-In Ice Maker – Enjoy clean, filtered ice anytime by scooping it from the freezer or using the integrated dispenser in the refrigerator door

Full-Extension Freezer Baskets – Easily load and unload frozen items with freezer baskets that are engineered to slide all the way out

Advanced Temperature Management System – Keep foods perfectly fresh with a multi-level air tower that distributes air evenly throughout the refrigerator and an overhead evaporator system that regulates humidity

Model PSB48YSNSS – Stainless steel

