

PRO REFRIGERATION
USE AND CARE GUIDE

CLEANING, MAINTENANCE, AND MORE



Contents

- 3 Safety Precautions
- 4 PRO Features
- 5 Electronic Controls
- 6 Storage
- 8 Operation
- 11 Care Recommendations
- 12 Technical Data
- 13 Troubleshooting
- 15 Sub-Zero Warranty

▲ WARNING
PROPOSITION 65 FOR CALIFORNIA RESIDENTS
Cancer and Reproductive Harm—
www.P65Warnings.ca.gov

Customer Care

The model and serial number are printed on the enclosed product registration card. Both numbers are also listed on the product rating plate. Refer to page 4 for rating plate location. For warranty purposes, you will also need the date of installation and name of your authorized Sub-Zero dealer. Record this information below for future reference.

SERVICE INFORMATION

Model Number
Serial Number
Date of Installation
Certified Service Name
Certified Service Number
Authorized Dealer
Dealer Number

If your product ever needs attention, be sure to use a Sub-Zero Factory Certified Service provider recommended by our Customer Care Center, or select one from our list of providers available at subzero.com/locator. All Factory Certified Service providers are carefully selected and thoroughly trained by us.

Important Note

To ensure this product is installed and operated as safely and efficiently as possible, take note of the following types of highlighted information throughout this guide:

IMPORTANT NOTE highlights information that is especially important.

CAUTION indicates a situation where minor injury or product damage may occur if instructions are not followed.

WARNING states a hazard that may cause serious injury or death if precautions are not followed.

IMPORTANT NOTE: Throughout this guide, dimensions in parentheses are millimeters unless otherwise specified.

IMPORTANT INSTRUCTIONS

▲ WARNING

Do not store explosive substances such as aerosol cans with a flammable propellant in this appliance.

▲ WARNING

Keep ventilation openings, in the appliance enclosure or in the built-in structure, clear of obstruction.

▲ WARNING

Do not use mechanical devices or other means to accelerate the defrosting process, other than those recommended by the manufacturer.

▲ WARNING


Do not damage the refrigerant circuit.

▲ WARNING



This symbol indicates risk of fire/flammable materials.

▲ WARNING

 This symbol indicates pressure.

▲ CAUTION

Incorporated ice makers must be installed by the manufacturer or its service agent.

▲ WARNING

Do not use electrical appliances inside the food storage compartments of the appliance, unless they are of the type recommended by the manufacturer.

▲ WARNING

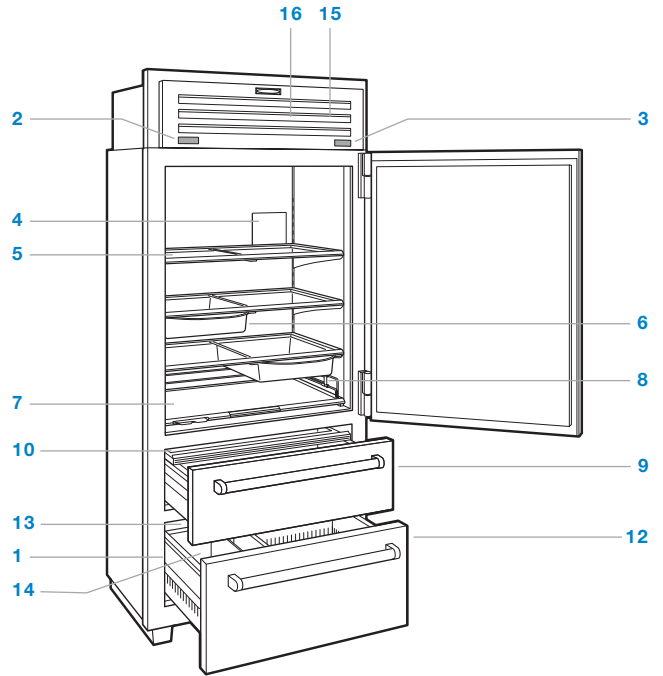
This appliance is not intended for use by persons (including children) with reduced physical, sensory or mental capabilities, or lack of experience and knowledge, unless they have been given supervision or instruction concerning use of the appliance by a person responsible for their safety.

Children should be supervised to ensure they do not play with the appliance.

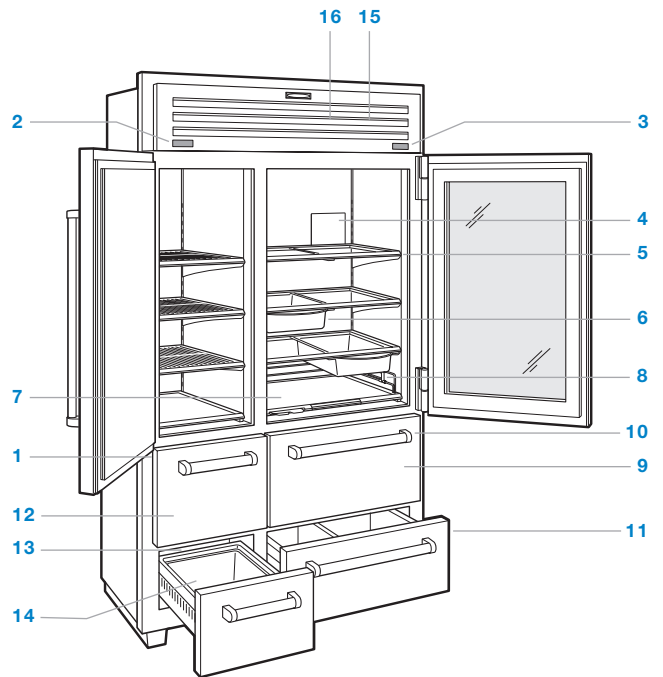
PRO Features

FEATURES

1	Product Rating Plate (inside drawer)
2	Freezer External Touch Display
3	Refrigerator External Touch Display
4	Air Purification System
5	Glass Shelves
6	Slide-Out Bins
7	Pull-Out Shelf
8	Side Rail Supports
9	Refrigerator Crisper Drawer
10	Removable Crisper Lid
11	Refrigerator Storage Drawer
12	Freezer Storage Drawer
13	Automatic Ice Maker
14	Ice Container
15	Water Filtration System (behind grille)
16	Condenser (behind grille)



PRO3650 (solid door model)



PRO4850G (glass door model)

Interactive Touch Controls

For initial start up, touch and hold ⓘ POWER on either external touch display, located on the grille.

Temperature can be adjusted in one-degree increments.

The left and right external displays control different temperature zones in the unit, but can both access the settings menu.

EXTERNAL TOUCH DISPLAY

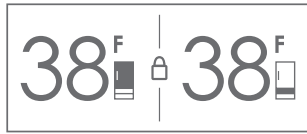
To unlock the display, touch 🔒 and hold for three seconds. The display will lock automatically after 30 seconds of inactivity. Refer to the illustrations below.

To adjust the temperature, touch the temperature displayed next to the corresponding zone icon.

To turn the ice maker on or off or to active max ice, touch the ice cube(s) icon.



Freezer display
(36" model shown)















Refrigerator display

SETTINGS

To access the settings menu, touch ⚙️ on either external touch display.

SETTINGS

-  Activate or deactivate power to the unit
-  Enable or disable automatic display lock
-  Activate, deactivate, or refresh purifier life reminder
-  Enable or disable door/drawer alarm and duration
-  Enable or disable connect
-  Enable, disable reminder, or refresh filter life reminder
-  Enable or disable Sabbath mode
-  Adjust soft on lighting and accent lighting (if applicable)
-  Adjust temperature units
-  Adjust alarm volume and tone
-  Select language
-  View troubleshooting and service information

Keeping Food At Its Best

DUAL REFRIGERATION®

This Sub-Zero features a unique Dual Refrigeration® system to keep food fresher longer. Three separate controls allow the refrigerator, refrigerator drawer(s), and freezer to be set at different temperatures.

With the Sub-Zero Dual Refrigeration® system, individual refrigerator and freezer systems have been designed to maintain accurate, consistent temperatures and proper humidity levels for longer food life expectancy. Dual Refrigeration® eliminates transfer of fresh food odors to frozen food and ice and does not freeze the moisture out of the air in the fresh food section.

For handy tips and information on how to maximize food freshness, refer to the freshness cards stored in the refrigerator.

Refrigerator Storage

GLASS SHELVES

To remove or adjust a glass shelf, tilt up, then lift up and out. To reposition, insert the shelf in the tracks along the back wall, then lower the front until it locks into position. Refer to the illustration below.

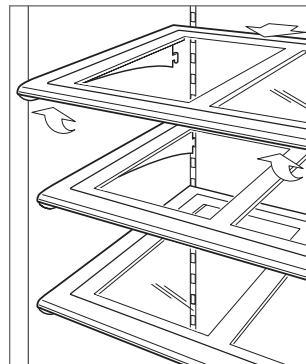
IMPORTANT NOTE: Use care when handling glass shelves to prevent breakage or scratching of the interior.

▲ CAUTION

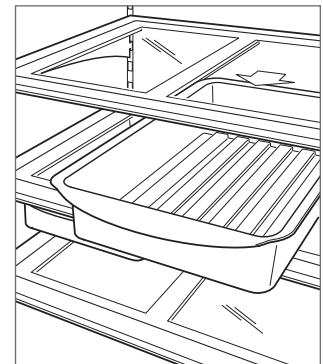
Warm glass shelves to room temperature before immersing in warm water.

SLIDE-OUT BINS

Integrated rails mounted below the glass shelves allow slide-out bins to be positioned in a variety of locations. To remove or adjust a slide-out bin, pull the handle of the bin forward until it stops, and lift up and out of the rails. Refer to the illustration below.



Glass shelf removal



Slide-out bin removal

Refrigerator Storage

PULL-OUT SHELF

The bottom shelf pulls out for easy access to condiments and other items commonly stored on door shelves. Adjustable rails keep items snugly in place. To adjust, pull the rail up and rotate. Refer to the illustration below.

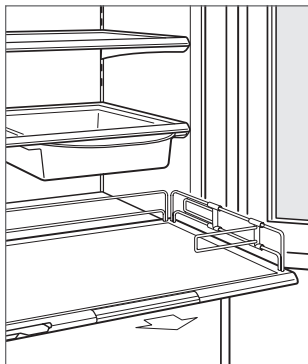
CRISPER LID

To remove the crisper lid assembly, pull the upper refrigerator drawer all the way out, raise the front edge of the crisper lid up, and pull out from the back. Refer to the illustration below.

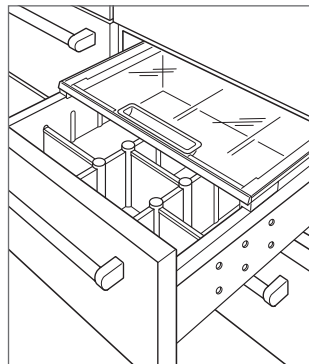
DRAWER DIVIDERS

Long dividers run the full depth of the drawer, with shorter dividers that connect to the long dividers to compartmentalize the drawer.

To remove the short dividers, lift up and out. The long dividers cannot be removed.



Pull-out shelf



Crisper lid (48" model shown)

Freezer Storage

STAINLESS STEEL SHELVES (48" MODELS)

To remove or adjust a shelf, tilt up, then lift up and out. To install, insert the shelf in the tracks along the back wall, then lower the front until it locks into position.

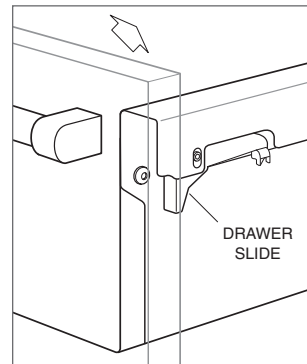
ICE CONTAINER

To remove the ice container, pull the drawer out to full-extension, then lift the container up and out.

Storage Drawers

Refrigerator and freezer storage drawers are removable for cleaning. An automatic stop is built in to prevent the drawers from coming all the way out unintentionally.



To remove, pull the drawer out to full-extension. Apply forward pressure to the front of the drawer slide, and pull up and back on the drawer handle. Refer to the illustration below.



Storage drawer removal

Air Purification System

The advanced air purification system reduces bacteria, odors, and ethylene gas, which causes premature ripening in fruits and vegetables. The air purification cartridge has been factory installed and is located inside the refrigerator on the back wall.

To initiate air purification, touch , then touch .

The cartridge will last approximately one year. “Change Air Purifier” will appear on the display when the cartridge needs to be replaced. Touch “Snooze” to delay the reminder for 24 hours or until cartridge can be replaced. Touch “Refresh” to reset the life indicator to 100% once the cartridge is replaced.

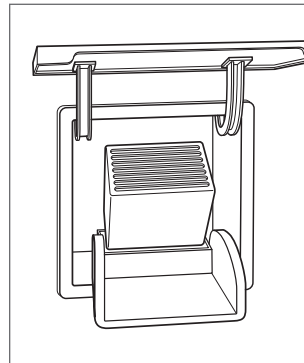
Replacement Sub-Zero air purification cartridges can be ordered online at subzero.com/store. For questions, contact Sub-Zero Customer Care at 800-222-7820.

CAUTION

The air purification system complies with applicable federal requirements regarding incidental exposure to ultraviolet light. Lamp contains mercury. Manage in accordance with disposal laws. Visit earth911.com or call 800-222-7820.

AIR PURIFICATION CARTRIDGE REPLACEMENT

- 1 To access the air purification cartridge, grasp the outside cover from the bottom and rotate upward. Refer to the illustration below.
- 2 Grasp the black cover from the top and rotate downward. The cartridge will pop out and can be removed.
- 3 Remove the new cartridge from packaging and insert with the connector pointing downward.
- 4 Once in position, close the black cover. Then rotate the outside cover downward until it closes against the back wall.
- 5 Once the cartridge has been replaced, follow the instructions on the display. The cartridge life cycle will reset for approximately one year.



Air purification cartridge

Water Filtration System

The water filtration system supplies filtered water to the ice maker.

IMPORTANT NOTE: Discard the first two full containers of ice after each filter replacement.

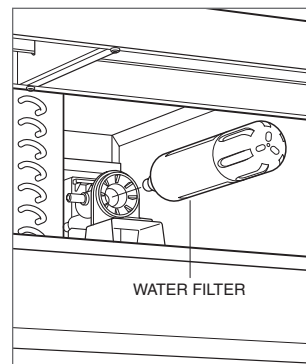
If the water filtration system will not be used, it can be bypassed by removing the water filter.

The filter is rated for 750 gallons (2839 L) or one year, whichever comes first. “Change Water Filter” will appear on the display when the cartridge needs to be replaced. Touch “Snooze” to delay the reminder for 24 hours or until the cartridge can be replaced. Touch “Refresh” to reset the life indicator to 100% once the filter is replaced.

Replacement Sub-Zero water filters can be ordered online at subzero.com/store. For questions, contact Sub-Zero Customer Care at 800-222-7820.



WATER FILTER REPLACEMENT



- 1 To access the water filter, rotate the bottom of the grille upward.
- 2 To remove the old filter, rotate counterclockwise one-quarter turn, then pull out. Refer to the illustration below. It is normal for a small amount of water to drip when the filter is removed. It should be wiped up with a paper towel or cloth.
- 3 Remove the new filter from packaging and remove the plastic cap.
- 4 Insert the new filter into the manifold, and turn it clockwise.
- 5 Once the new filter has been installed, the water filter life monitor will automatically reset.



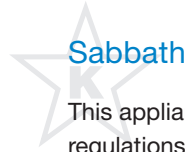
Water filter removal

Ice Maker Operation

To initiate ice production, touch  on the freezer external touch display.  will be visible in the display. After initial start-up, discard the first few batches of ice. The ice may contain impurities from new plumbing connections.

Max ice increases ice production up to 30% for a 24-hour period. Touch  to activate max ice.  will be visible in the display.

If ice is not used regularly, it may fuse together. To avoid, discard the ice and allow the ice maker to replenish.



This appliance is certified by Star-K to meet strict religious regulations in conjunction with specific instructions found on www.star-k.org.

Cleaning

INTERIOR CLEANING

To clean interior surfaces and all removable parts, wash with a mild solution of soap, water, and baking soda. Rinse and dry thoroughly. Avoid getting water on the lights.

⚠ CAUTION

Do not use vinegar, rubbing alcohol, or other alcohol-based cleaners on any interior surface.

STAINLESS STEEL EXTERIOR

Use a nonabrasive stainless steel cleaner and apply with a soft lint-free cloth. To bring out the natural luster, lightly wipe the surface with a water-dampened microfiber cloth followed by a dry polishing chamois. Always follow the grain of stainless steel.

CONDENSER CLEANING

⚠ CAUTION

Before cleaning the condenser, turn power off to the unit. Wear gloves to avoid injury from sharp condenser fins.

The condenser is located behind the grille. To access, rotate the bottom of the grille upward. Use a soft bristle brush and vacuum to remove dust and lint from the condenser. Clean the condenser every 6–12 months. Refer to the illustration below.

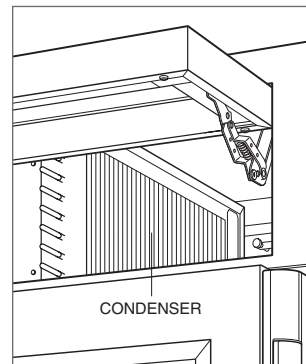
IMPORTANT NOTE: To avoid damaging the condenser fins, vacuum in the direction of the fins.

⚠ CAUTION

Failure to clean the condenser could result in temperature loss, mechanical failure, or damage.

VACATIONS

For extended vacations, turn the unit off. Empty the unit and block doors open to let fresh air in and keep the interior dry. The water filter should be replaced before start up.



Condenser location

Sub-Zero Water Filtration System Data

REPLACEMENT CARTRIDGE (4204490)



Tested and certified by NSF International against NSF/ANSI Standard 42 for the reduction of Chlorine Taste & Odor, Particulate Class I; and against NSF/ANSI Standard 53 for the reduction of Lead, Mercury, Atrazine, Benzene, Carbofuran, 1,4-dichlorobenzene, Lindane, Toxaphene, Turbidity, Cysts, and Asbestos.

This system has been tested according to NSF/ANSI 42/53 for reduction of the substances listed below. The concentration of the indicated substances in water entering the system was reduced to a concentration less than or equal to the permissible limit for water leaving the system, as specified in NSF/ANSI 42/53.

OPERATING SPECIFICATIONS

Capacity: certified for up to 750 gallons (2,838 L); up to twelve months
 Pressure Requirement: 35 – 120 psi (2.8 – 8.2 bar)
 Temperature: 33 – 100°F (0.6 – 38°C)
 Flow Rate: 0.78 gpm (2.9 Lpm)

Substance	NSF Standard	Influent Challenge Concentration	Average Influent Concentration	Product Water Concentration		% Reduction		Max Permissible Product Water Concentration
				Average	Max Effluent	Average	Minimum	
Chlorine, Taste & Odor	42	2.0 mg/L ± 10%	1.88 mg/L	0.05 mg/L	0.06 mg/L	97.34%	96.80%	≥ 50%
Particulate	42	At least 10,000 particles/ml	5,700,000/ml	30,583/ml	69,000/ml	99.46%	98.78%	≥ 85%
Lead at pH 6.5	53	0.15 mg/L ± 10%	0.153 mg/L	<0.001 mg/L	<0.001 mg/L	99.34%	99.34%	0.010 mg/L
Lead at pH 8.5	53	0.15 mg/L ± 10%	0.150 mg/L	<0.001 mg/L	<0.001 mg/L	99.33%	99.33%	0.010 mg/L
Mercury at pH 6.5	53	0.006 mg/L ± 10%	0.006 mg/L	0.0003 mg/L	0.0005 mg/L	95.00%	91.66%	0.002 mg/L
Mercury at pH 8.5	53	0.006 mg/L ± 10%	0.006 mg/L	0.0008 mg/L	0.0015 mg/L	86.66%	75.00%	0.002 mg/L
Atrazine	53	0.009 mg/L ± 10%	0.009 mg/L	<0.002 mg/L	<0.002 mg/L	77.77%	77.77%	0.003 mg/L
Benzene	53	0.015 mg/L ± 10%	0.014 mg/L	0.0006 mg/L	0.0011 mg/L	95.71%	92.14%	0.005 mg/L
Carbofuran	53	0.08 mg/L ± 10%	0.081 mg/L	<0.001 mg/L	<0.001 mg/L	98.76%	98.76%	0.04 mg/L
1,4-dichlorobenzene	53	0.225 mg/L ± 10%	0.208 mg/L	<0.0005 mg/L	<0.0005 mg/L	99.75%	99.75%	0.075 mg/L
Lindane	53	0.002 mg/L ± 10%	0.002 mg/L	0.00003 mg/L	0.00007 mg/L	98.50%	96.50%	0.0002 mg/L
Toxaphene	53	0.015 mg/L ± 10%	0.015 mg/L	<0.001 mg/L	<0.001 mg/L	93.33%	93.33%	0.003 mg/L
Turbidity	53	11 ± 1 NTU	10.7 NTU	0.31 NTU	0.49 NTU	97.10%	95.42%	0.5 NTU
Cysts**	53	Minimum 50,000/L	166,500/L	<1/L	<1/L	>99.99%	>99.99%	>99.95%
Asbestos	53	10 ⁷ to 10 ⁸ fibers/L†	155 MF/L	<1 MF/L	<1 MF/L	>99.99%	>99.99%	>99%

**Based on the use of *Cryptosporidium Parvum* oocysts † Fibers greater than 10 µm in length

SPECIAL NOTES

- Replacement Sub-Zero water filter cartridges can be ordered online at subzero.com/store. For questions, contact Sub-Zero Customer Care at 800-222-7820.
- Change filter cartridge at least every twelve months. High sediment areas may require more frequent filter cartridge replacement.
- Installation and operation instructions, parts and service availability, and standard warranty are included with the product when shipped.
- Replace water filter cartridge when the filter indicator is lit or when water flow becomes too low. Use replacement water filter cartridge part number 4204490. Replacement filter pricing information can be found at subzero.com.
- Do not use with water that is microbiologically unsafe or of unknown water quality without adequate disinfection before or after the system.
- Systems certified for cyst reduction may be used on disinfected waters that may contain filterable cysts.
- This system must be installed, operated and maintained, and filters must be replaced as required in order for the product to perform as advertised.
- Note that while the testing was performed under standard laboratory conditions, actual performance may vary. The contaminants or other substances removed or reduced by this water treatment system are not necessarily in your water.

Manufactured for: Sub-Zero, Inc., P.O. Box 44848, Madison, WI 53744, 800-222-7820

Troubleshooting

UNIT OPERATION

No lights or cooling.

- Verify power is on.
- Verify electrical power to the unit and home circuit breaker is on.

No lights in the refrigerator or freezer.

- The door/drawer may have been left ajar which has disabled lights to eliminate excess heat. If the lights are out, close the door/drawer for one hour. If the lights are still out, contact Sub-Zero Factory Certified Service.
- LED interior lighting must be replaced by Sub-Zero Factory Certified Service.

Frost, condensation, or ice build up inside the unit.

- Verify the condenser is clean.
- Verify the door/drawer is closing properly.
- Verify the door/drawer has not been left ajar.
- Verify the door/drawer gasket does not have rips or tears. If it does, contact Sub-Zero Factory Certified Service.
- If icing is heavy, turn the unit off and use a handheld steamer to melt the ice. Do not use a hair dryer. Once the ice has melted, wipe up any water with a cloth or paper towel.

High temperatures, the unit runs excessively or is giving off too much heat.

- Verify the condenser is clean.
- Verify the door/drawer is closing properly.
- Verify the door/drawer has not been left ajar.
- Increased ambient temperatures may cause the compressors to run longer.
- If the temperature display shows 38° and 0°, but is not cooling, the unit may be in showroom mode. Contact Sub-Zero Customer Care at 800-222-7820.



ODOR

- The unit should be cleaned before using for the first time. This will clear any odors that may have been trapped during shipping.
- Replace the air purification cartridge.
- Clean the unit and shelving thoroughly.
- Uncovered food could create an odor which may require cleaning.
- Remove and clean the drain pan located behind the kickplate, and reinstall.

Troubleshooting

ICE PRODUCTION

No ice.

- Verify  or  appears in the freezer external display.
- Verify the ice maker has been on for at least 24 hours.
- Verify the freezer temperature is near 0°F.
- Verify the ice container is properly installed.
- Verify the ice maker arm is in the down position.
- Verify water is being supplied to the unit.
- Verify the water filter has been replaced within the last 12 months and installed properly.
- Verify the water filter has been removed if a reverse osmosis filtration system is being used.

Blue or green ice.

- Possible copper supply line corrosion. Contact a plumber to clean or replace.

Black flecks in the cubes.

- Stop use and contact Sub-Zero Factory Certified Service.

Bad taste.

- Defrost the freezer and clean with soap and water.
- Place coffee grounds or charcoal briquettes in the freezer to absorb odor.

Hollow cubes.

- Clean the condenser. Contact Sub-Zero Factory Certified Service if unresolved.

SERVICE

- Maintain the quality built into your product by contacting Sub-Zero Factory Certified Service. For the name of the nearest Sub-Zero Factory Certified Service, check the Support & Service section of our website, subzero.com, or call Sub-Zero Customer Care at 800-222-7820.
- When contacting service, you will need the model and serial number of your unit. Both numbers are listed on the product rating plate. Refer to page 4 for rating plate location.
- For warranty purposes, you will also need the date of installation and name of your authorized Sub-Zero dealer. This information should be recorded on page 2.

Sub-Zero Residential Limited Warranty

FOR RESIDENTIAL USE

FULL TWO YEAR WARRANTY*

For two years from the date of original installation, this Sub-Zero product warranty covers all parts and labor to repair or replace, under normal residential use, any part of the product that proves to be defective in materials or workmanship. All service provided by Sub-Zero under the above warranty must be performed by Sub-Zero factory certified service, unless otherwise specified by Sub-Zero, Inc. Service will be provided during normal business hours.

FULL FIVE YEAR SEALED SYSTEM WARRANTY

For five years from the date of original installation, this Sub-Zero product warranty covers all parts and labor to repair or replace, under normal residential use, these parts that prove to be defective in materials or workmanship: compressor, condenser, evaporator, drier and all connecting tubing. All service provided by Sub-Zero under the above warranty must be performed by Sub-Zero factory certified service, unless otherwise specified by Sub-Zero, Inc. Service will be provided during normal business hours.

LIMITED TWELVE YEAR SEALED SYSTEM WARRANTY

For twelve years from the date of original installation, Sub-Zero will repair or replace the following parts that prove to be defective in materials or workmanship: compressor, condenser, evaporator, drier and all connecting tubing. If the owner uses Sub-Zero factory certified service, the service provider will repair or replace these parts with the owner paying for all other costs, including labor. If the owner uses non-certified service, the owner must contact Sub-Zero, Inc. (using the information below) to receive repaired or replacement parts. Sub-Zero will not reimburse the owner for parts purchased from non-certified service or other sources.

TERMS APPLICABLE TO EACH WARRANTY

The warranty applies only to products installed for normal residential use. The warranty applies only to products installed in any one of the fifty states of the United States, the District of Columbia or the ten provinces of Canada. This warranty does not cover any parts or labor to correct any defect caused by negligence, accident or improper use, maintenance, installation, service or repair.

THE REMEDIES DESCRIBED ABOVE FOR EACH WARRANTY ARE THE ONLY ONES THAT SUB-ZERO, INC. WILL PROVIDE, EITHER UNDER THIS WARRANTY OR UNDER ANY WARRANTY ARISING BY OPERATION OF LAW. SUB-ZERO, INC. WILL NOT BE RESPONSIBLE FOR ANY CONSEQUENTIAL OR INCIDENTAL DAMAGES ARISING FROM THE BREACH OF THIS WARRANTY OR ANY OTHER WARRANTY, WHETHER EXPRESS, IMPLIED OR STATUTORY.

Some states do not allow the exclusion or limitation of incidental or consequential damages, so the above limitation or exclusion may not apply to you. This warranty gives you specific legal rights and you may also have other legal rights that vary from state to state.

To receive parts and/or service and the name of Sub-Zero factory certified service nearest you, contact Sub-Zero, Inc., P.O. Box 44848, Madison, WI 53744; check the contact & support section of our website, subzero.com, email us at customerservice@subzero.com or call 800-222-7820.

*Stainless steel (doors, panels, handles, product frames and interior surfaces) are covered by a limited 60-day parts and labor warranty for cosmetic defects.

*Replacement water filters and air purification cartridges are not covered by the product warranty.



Contenido

- 3 Precauciones de seguridad
- 4 Características PRO
- 5 Controles electrónicos
- 6 Almacenamiento
- 8 Funcionamiento
- 11 Recomendaciones para el cuidado
- 12 Datos técnicos
- 13 Solución de problemas
- 15 Garantía Sub-Zero

ADVERTENCIA

PROPUESTA 65 PARA RESIDENTES DE CALIFORNIA
Cáncer y Daño Reproductivo—
www.P65Warnings.ca.gov

Atención al cliente

El modelo y número de serie están impresos en la tarjeta de registro del producto adjunta. Ambos números también aparecen en la placa de datos del producto. Consulte la página 4 para encontrar la placa de datos. Para fines de la garantía, también necesitará la fecha de instalación y el nombre de su distribuidor autorizado de Sub-Zero. Guarde la siguiente información para futuras referencias.

INFORMACIÓN DE SERVICIO

Número de modelo

Número de serie

Fecha de la instalación

Nombre de servicio certificado

Número de servicio certificado

Distribuidor autorizado

Número de distribuidor

Si su producto alguna vez necesita servicio, use un proveedor de servicios certificado por Sub-Zero y recomendado por nuestro centro de atención al cliente, o seleccione uno de nuestra lista de proveedores disponibles en subzero.com/locator. Nosotros seleccionamos y capacitamos cuidadosamente a todos los proveedores de servicios certificados de fábrica.

Aviso importante

Para garantizar que este producto se instale y opere de la forma más segura y eficiente posible, tome nota de los siguientes tipos de información resaltada en esta guía:

AVISO IMPORTANTE señala la información que es especialmente importante.

PRECAUCIÓN indica una situación en la que se pueden sufrir heridas leves o provocar daños al producto si no se siguen las instrucciones.

ADVERTENCIA indica peligro de que se produzcan heridas graves o incluso la muerte si no se siguen las precauciones.

AVISO IMPORTANTE: En toda esta guía, las dimensiones entre paréntesis son milímetros, a menos que se especifique lo contrario.

INSTRUCCIONES IMPORTANTES

▲ AVISO

No guarde en este aparato sustancias explosivas como aerosoles junto con un propulsor inflamable.

▲ AVISO

Elimine las posibles obstrucciones de las aberturas de ventilación, tanto si se trata de un aparato con recinto como de una estructura empotrada.

▲ AVISO

No utilice dispositivos mecánicos ni otros medios para acelerar el proceso de descongelación distintos a los recomendados por el fabricante.

▲ AVISO

No dañe el circuito refrigerante.

▲ AVISO



Este símbolo indica riesgo de incendio/ materiales inflamables.

▲ AVISO

 Este símbolo indica presión.

▲ PRECAUCIÓN

Los fabricantes de hielo incorporados deben ser instalados por el fabricante o su agente de servicio.

▲ AVISO

No utilice aparatos eléctricos en el interior de los compartimentos de almacenamiento de alimentos de la unidad, a menos que sean del tipo recomendado por el fabricante.

▲ AVISO

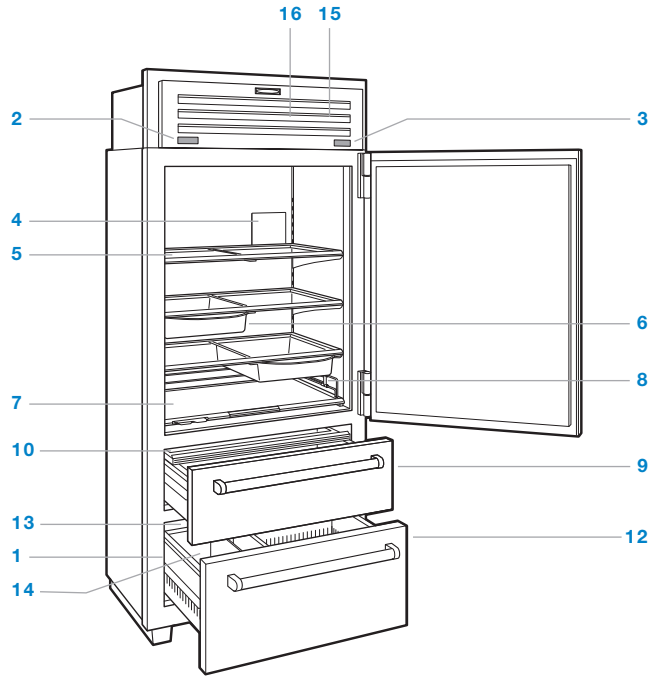
Este dispositivo no está destinado a ser utilizado por personas (incluidos niños) con capacidades físicas, sensoriales o mentales reducidas, o por falta de experiencia y conocimiento, a menos que hayan sido supervisados o instruidos sobre el uso del dispositivo por parte de una persona responsable de su seguridad.

Los niños deben ser supervisados para asegurarse de que no jueguen con el aparato.

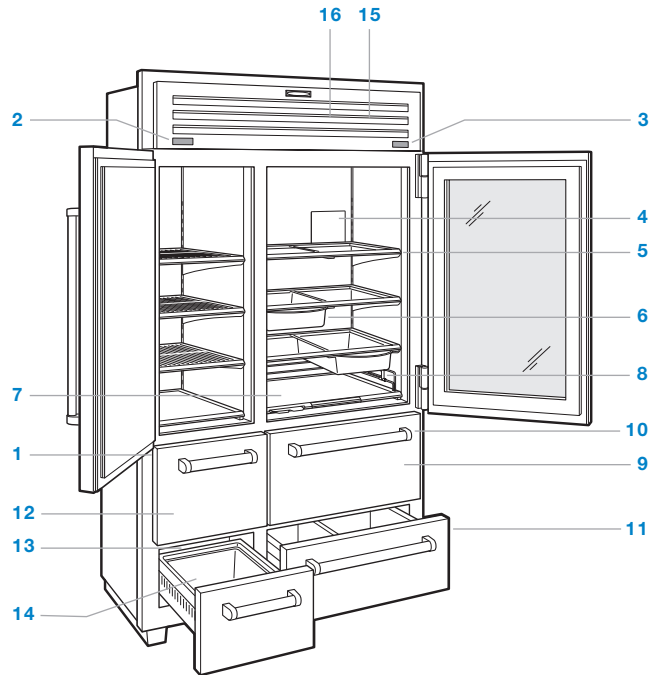
Características PRO

CARACTERÍSTICAS

1	Placa de datos del producto (al interior del cajón)
2	Pantalla táctil externa del congelador
3	Pantalla táctil externa del refrigerador
4	Sistema de purificación de aire
5	Estantes de cristal
6	Cajones corredizos
7	Estante extraíble
8	Soportes del riel lateral
9	Cajón para frutas y verduras del refrigerador
10	Tapa desmontable del cajón para frutas y verduras
11	Cajón de almacenamiento del refrigerador
12	Cajón de almacenamiento del congelador
13	Fábrica automática de hielo
14	Contenedor de hielo
15	Sistema de filtrado de agua (detrás de la rejilla)
16	Condensador (detrás de la rejilla)




PRO3650 (modelo de puerta sólida)



PRO4850G (modelo de puerta de cristal)


Controles táctiles interactivos

Para la puesta en marcha inicial, pulse y mantenga presionado el botón de  POWER (encendido) en cualquiera de las pantallas táctiles externas, situadas en la rejilla.

La temperatura puede ajustarse en incrementos de un grado.

Las pantallas externas izquierda y derecha controlan diferentes zonas de temperatura en la unidad, pero ambas acceden al menú de configuración.

PANTALLA TÁCTIL EXTERIOR

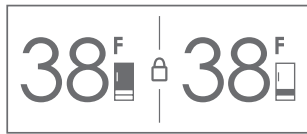
Para desbloquear la pantalla, pulse  y mantenga presionado por tres segundos. La pantalla se bloqueará automáticamente después de 30 segundos de inactividad. Revise las siguientes ilustraciones.

Para ajustar la temperatura, presione la temperatura que se muestra junto al ícono de la zona correspondiente.

Para encender o apagar el fabricante de hielo o para activar el hielo máximo, presione el ícono de cubo(s) de hielo.




Pantalla del congelador
(se muestra el modelo de 36")





Pantalla del refrigerador


CONFIGURACIÓN


Para acceder al menú de configuración, presione  en cualquiera de las pantallas táctiles externas.


CONFIGURACIÓN


-  Active o desactive la alimentación de corriente eléctrica de la unidad


-  Active o desactive el bloqueo automático de la pantalla


-  Active, desactive o refresque el recordatorio de vida del purificador


-  Active o desactive la alarma y duración de la puerta/ el cajón


-  Active o desactive el conector


-  Active, desactive el recordatorio, o refresque el recordatorio de vida del filtro


-  Active o desactive el modo Sabbath

-  Ajuste la suavidad en la iluminación y las luces de acento (si corresponde)

-  Ajuste las unidades de temperatura

-  Ajuste el volumen y el tono de la alarma

-  Seleccione el idioma

-  Vea cómo solucionar problemas y la información del servicio técnico

Conservación de los alimentos frescos

DUAL REFRIGERATION®

Esta unidad Sub-Zero incorpora un exclusivo sistema de refrigeración doble (Dual Refrigeration®) para mantener los alimentos frescos durante más tiempo. Tres controles independientes permiten ajustar temperaturas diferentes en el refrigerador, el(los) cajón/cajones del refrigerador y el congelador.

Con el sistema de refrigeración doble de Sub-Zero Dual Refrigeration® los sistemas individuales del refrigerador y el congelador han sido diseñados para mantener una temperatura precisa y constante, así como niveles de humedad adecuados para que los alimentos se conserven durante más tiempo. La refrigeración doble Dual Refrigeration® elimina la transferencia de olores de los alimentos frescos a los congelados o al hielo y no congela la humedad presente en el aire en la sección de alimentos frescos.

Para obtener sugerencias útiles e información sobre cómo maximizar la frescura de los alimentos, consulte las tarjetas de frescura almacenadas en el refrigerador.

Almacenamiento en el refrigerador

ESTANTES DE CRISTAL

Para extraer o ajustar un estante de cristal, inclínelo hacia arriba, luego levántelo hacia arriba y hacia afuera. Para volver a colocarlo, inserte el estante en las guías que corren a lo largo de la pared posterior, luego baje la parte delantera hasta que encaje en su posición. Consulte la siguiente ilustración.

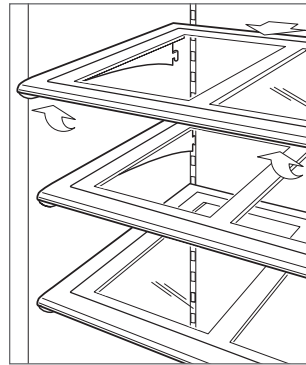
AVISO IMPORTANTE: Tenga cuidado al manipular los estantes de cristal para evitar que se rompan o que rayen el interior.

⚠ PRECAUCIÓN

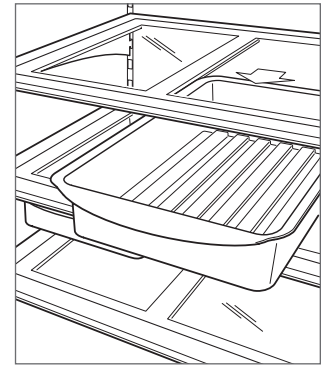
Caliente los estantes de cristal a temperatura ambiente antes de sumergirlos en agua tibia.

CAJONES CORREDIZOS

Los rieles incorporados que están instalados debajo de los estantes de cristal permiten que los cajones corredizos se puedan ubicar en diversos lugares. Para extraer o ajustar un cajón corredizo, jale la manija del cajón hacia el frente hasta que llegue al tope, levántelo y sáquelo de los rieles. Consulte la siguiente ilustración.



Extracción de los estantes de cristal



Extracción de los cajones corredizos

Almacenamiento en el refrigerador

ESTANTE EXTRAÍBLE

El estante inferior se extrae para tener un fácil acceso a los condimentos y otros artículos que comúnmente se almacenan en los estantes de la puerta. Los rieles ajustables mantienen los artículos perfectamente en su lugar. Para ajustar, jale el riel hacia arriba y gire. Consulte la siguiente ilustración.

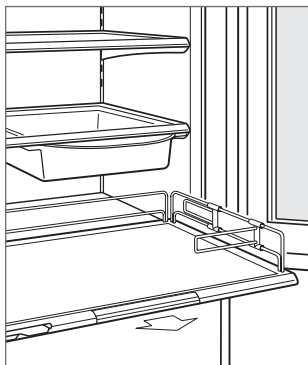
TAPA DEL CAJÓN PARA FRUTAS Y VERDURAS

Para extraer el ensamblaje de la tapa del cajón para frutas y verduras, jale por completo el cajón superior del refrigerador, levante el borde frontal de la tapa y júlela desde la parte posterior. Consulte la siguiente ilustración.

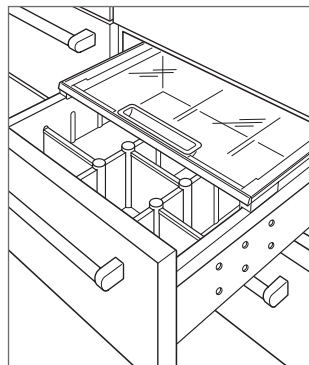
DIVISORES DE CAJONES

Los divisores largos recorren el fondo del cajón y los divisores cortos conectan los divisores largos para dividir el cajón en compartimentos.

Para extraer los divisores cortos, levántelos y extráigalos. Los divisores largos no se pueden extraer.



Estante extraíble



Tapa de cajón para frutas y verduras (se muestra el modelo de 48")

Almacenamiento del congelador

ESTANTES DE ACERO INOXIDABLE (MODELOS DE 48")

Para extraer o ajustar un estante, inclínelo hacia arriba, luego levántelo hacia arriba y hacia afuera. Para instalarlo, inserte el estante en las guías que corren a lo largo de la pared posterior, luego baje la parte delantera hasta que encaje en su posición.

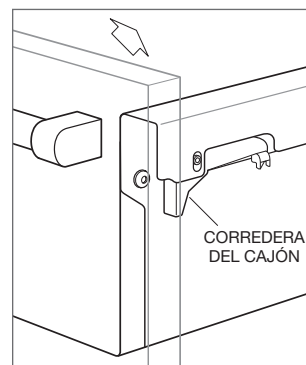
CONTENEDOR DE HIELO

Para extraer el contenedor de hielo, jale el cajón por completo, levante el contenedor y sáquelo.

Cajones de almacenamiento

Los cajones de almacenamiento del refrigerador y el congelador se pueden desmontar para su limpieza. Para evitar que los cajones salgan por completo de manera accidental, hay un tope automático incorporado.



Para retirarlo, tire del cajón hacia afuera para extenderlo por completo. Aplique presión hacia adelante en la parte delantera de la corredera del cajón, y tire hacia arriba y hacia atrás del asa del cajón. Consulte la siguiente ilustración.



Retiro del cajón

Sistema de purificación de aire

El avanzado sistema de purificación de aire reduce las bacterias, los olores e incluso el gas etileno, que provoca la maduración prematura de frutas y verduras. El cartucho de purificación de aire viene instalado de fábrica y está situado al interior del refrigerador, en la pared trasera.

Para iniciar la purificación del aire, toque , luego toque .

El cartucho dura aproximadamente un año. El mensaje “Change Air Purifier” (Reemplace el purificador de aire) aparecerá en la pantalla cuando sea necesario reemplazar el cartucho. Toque “Snooze” (Posponer) para retrasar el recordatorio durante 24 horas o hasta que el cartucho se pueda sustituir. Toque “Refresh” (Refrescar) para restablecer el indicador de vida a 100% una vez que se haya sustituido el cartucho.

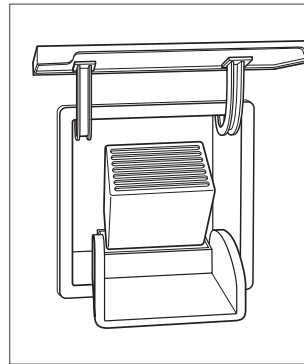
El reemplazo de los cartuchos de purificación de aire Sub-Zero se pueden solicitar por Internet en subzero.com/store. Si tiene alguna pregunta, comuníquese con la línea de atención al cliente de Sub-Zero al 800-222-7820.

PRECAUCIÓN

El sistema de purificación de aire cumple con los requisitos federales aplicables en relación con la exposición incidental a la luz ultravioleta. La lámpara contiene mercurio. A la hora de deshacerse de ella, acate las leyes vigentes al respecto. Visite earth911.com o llame al 800-222-7820.

SUSTITUCIÓN DEL CARTUCHO DE PURIFICACIÓN DE AIRE

- 1 Para obtener acceso al cartucho de purificación de aire, sujete la cubierta externa desde abajo y gire hacia arriba. Consulte la siguiente ilustración.
- 2 Sujete la cubierta de color negro desde arriba y gire hacia abajo. El cartucho saldrá de su posición y ahora puede extraerlo.
- 3 Extraiga el cartucho nuevo de su empaque, ponga el cartucho en su sitio con el conector hacia abajo.
- 4 Una vez en su sitio, cierre la cubierta de color negro. Luego gire la cubierta externa hacia abajo hasta que cierre contra la pared posterior.
- 5 Una vez que haya reemplazado el cartucho, siga las instrucciones que aparecen en la pantalla. El ciclo de vida del cartucho se reiniciará durante aproximadamente un año.



Cartucho de purificación de aire

Sistema de filtrado de agua

El sistema de filtrado de agua suministra agua filtrada al fabricante de hielo.

AVISO IMPORTANTE: Deseche por completo los primeros dos contenedores de hielo después del cambio de filtro.

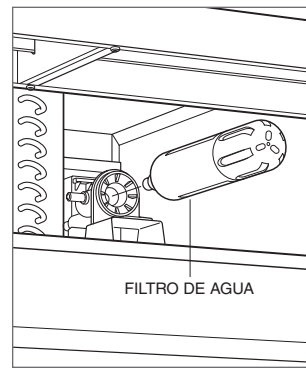
Si no va a utilizar el sistema de filtrado, puede colocarlo en el modo de desviación al quitar el filtro de agua.

El filtro tiene una capacidad para 750 galones (2,839 L) o un año de uso, lo que ocurra primero. El mensaje “Change Water Filter” (Reemplace el filtro de agua) aparecerá en la pantalla cuando sea necesario reemplazar el cartucho. Toque “Snooze” (Posponer) para retrasar el recordatorio durante 24 horas o hasta que el cartucho se pueda sustituir. Toque “Refresh” (Refrescar) para restablecer el indicador de vida a 100% una vez que se haya cambiado el filtro.

Los filtros de agua de repuesto de Sub-Zero se pueden solicitar en Internet en subzero.com/store. Si tiene alguna pregunta, comuníquese con la línea de atención al cliente de Sub-Zero al 800-222-7820.



CAMBIO DEL FILTRO DE AGUA



- 1 Para acceder al filtro de agua, gire la parte inferior de la rejilla hacia arriba.
- 2 Para retirar el filtro anterior, gírelo un cuarto en sentido opuesto de las manecillas del reloj y jálalo. Consulte la siguiente ilustración. Es normal que gotee una pequeña cantidad de agua al extraer el filtro. Debe limpiarla con una servilleta de papel o un paño.
- 3 Retire el filtro nuevo del empaque y retire la tapa plástica.
- 4 Inserte el nuevo filtro en el múltiple y gire en sentido de las manecillas del reloj.
- 5 Una vez que haya instalado el filtro, el control de vida útil del filtro de agua se reiniciará de manera automática.



Extracción del filtro de agua

Operación del fabricante de hielo

Para iniciar la producción de hielo, toque  en la pantalla táctil externa del congelador.  aparecerá en la pantalla. Tras la puesta en marcha inicial, deseche las primeras tandas de hielo. El hielo puede contener impurezas de la nueva conexión de conductos.

Max ice (Hielo máx.) aumenta la producción de hielo hasta un 30% por un periodo de 24 horas. Toque  para activar Max ice.  aparecerá en la pantalla.

Si el hielo no se usa con regularidad puede fusionarse. Para evitar esto, deseche el hielo y deje que el fabricante de hielo vuelva a llenarse.

Sabbath

Este electrodoméstico lleva el certificado Star-K que indica que cumple con estrictas normas religiosas junto con instrucciones específicas que aparecen en www.star-k.org.

Limpieza

LIMPIEZA INTERIOR

Para limpiar las superficies internas y todas las piezas móviles, lave con una disolución suave de jabón, agua y bicarbonato de sodio. Enjuague y seque completamente. Evite que se filtre agua en las luces.

⚠ PRECAUCIÓN

No use vinagre, alcohol ni otros limpiadores a base de alcohol en ninguna superficie interna.

EXTERIOR DE ACERO INOXIDABLE

Utilice un limpiador no abrasivo para acero inoxidable y aplique con un paño suave que no deje pelusa. Para resaltar el lustre natural, limpie suavemente la superficie con una tela de microfibra humedecida con agua y, luego, pule en seco con una gamuza. Siempre siga la dirección del acabado del acero inoxidable.

LIMPIEZA DEL CONDENSADOR

⚠ PRECAUCIÓN

Antes de limpiar el condensador, apague la unidad. Utilice guantes para evitar que las aletas afiladas del condensador puedan provocarle heridas.

El condensador se encuentra situado detrás de la rejilla. Para acceder, gire la parte inferior de la rejilla hacia arriba. Use un cepillo de cerdas suaves y aspiradora para quitar el polvo y pelusa del condensador. Limpie el condensador cada 6-12 meses. Consulte la siguiente ilustración.

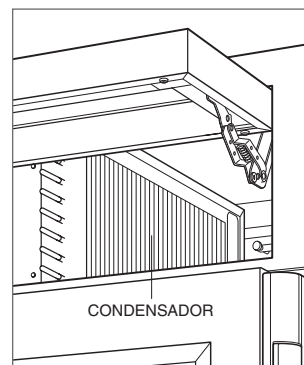
AVISO IMPORTANTE: Para evitar daños a las aletas del condensador, asegúrese de aspirar en dirección de las aletas.

⚠ PRECAUCIÓN

Si no lo limpia, el condensador puede perder la temperatura, o puede producirse un daño o falla mecánica en dicho condensador.

VACACIONES

Para vacaciones extendidas, apague la unidad. Vacíe la unidad y deje las puertas abiertas para permitir la entrada de aire fresco y que el interior se mantenga seco. Debe cambiar el filtro de agua antes de iniciar las operaciones.



Ubicación del condensador.

Datos del sistema de filtrado de agua Sub-Zero

CARTUCHO DE REPUESTO (4204490)



Probado y certificado por NSF International según la Norma 42 de la Fundación Nacional Estadounidense de Saneamiento/Instituto Nacional Estadounidense de Estándares (National Sanitation Foundation/American National Standards Institute, NSF/ANSI) para la reducción del sabor y olor a cloro y partículas de Clase I; y según la Norma 53 de NSF/ANSI para la reducción de plomo, mercurio, atracina, benceno, carbofurano, 1,4-diclorobenceno, lindano, toxafeno, turbidez, quistes, y asbesto.

Este sistema ha sido sometido a pruebas según las normas NSF/ANSI 42/53 para la reducción de las sustancias mencionadas a continuación. La concentración de las sustancias indicadas en el agua de entrada al sistema fue reducida hasta una concentración menor que o igual al límite permisible para el agua que sale del sistema, según lo especificado en la norma NSF/ANSI 42/53.

ESPECIFICACIONES DE OPERACIÓN

Capacidad: certificado hasta para 750 galones (2,838 L), hasta doce meses

Requisitos de presión: De 35 a 120 psi (de 2.8 a 8.2 bares)

Temperatura: De 33 a 100°F (de 0.6 a 38°C)

Caudal: 0.78 gpm (2.9 Lpm)

Sustancia	Norma NSF	Concentración de riesgo de afluentes	Concentración promedio de afluentes	Concentración de agua del producto		% de reducción		Concentración máxima permitida de agua del producto
				Media	Afluente máximo	Media	Mínimo	
Cloro, sabor y olor	42	2.0 mg/L ± 10%	1.88 mg/L	0.05 mg/L	0.06 mg/L	97.34%	96.80%	≥ 50%
Partículas	42	Por lo menos 10,000 partículas/ml	5,700,000/ml	30,583/ml	69,000/ml	99.46%	98.78%	≥ 85%
Plomo a pH 6.5	53	0.15 mg/L ± 10%	0.153 mg/L	<0.001 mg/L	<0.001 mg/L	99.34%	99.34%	0.010 mg/L
Plomo a pH 8.5	53	0.15 mg/L ± 10%	0.150 mg/L	<0.001 mg/L	<0.001 mg/L	99.33%	99.33%	0.010 mg/L
Mercurio a pH 6.5	53	0.006 mg/L ± 10%	0.006 mg/L	0.0003 mg/L	0.0005 mg/L	95.00%	91.66%	0.002 mg/L
Mercurio a pH 8.5	53	0.006 mg/L ± 10%	0.006 mg/L	0.0008 mg/L	0.0015 mg/L	86.66%	75.00%	0.002 mg/L
Atracina	53	0.009 mg/L ± 10%	0.009 mg/L	<0.002 mg/L	<0.002 mg/L	77.77%	77.77%	0.003 mg/L
Benceno	53	0.015 mg/L ± 10%	0.014 mg/L	0.0006 mg/L	0.0011 mg/L	95.71%	92.14%	0.005 mg/L
Carbofurano	53	0.08 mg/L ± 10%	0.081 mg/L	<0.001 mg/L	<0.001 mg/L	98.76%	98.76%	0.04 mg/L
1,4-diclorobenceno	53	0.225 mg/L ± 10%	0.208 mg/L	<0.0005 mg/L	<0.0005 mg/L	99.75%	99.75%	0.075 mg/L
Lindano	53	0.002 mg/L ± 10%	0.002 mg/L	0.00003 mg/L	0.00007 mg/L	98.50%	96.50%	0.0002 mg/L
Toxafeno	53	0.015 mg/L ± 10%	0.015 mg/L	<0.001 mg/L	<0.001 mg/L	93.33%	93.33%	0.003 mg/L
Turbiedad	53	11 ± 1 NTU	10.7 NTU	0.31 NTU	0.49 NTU	97.10%	95.42%	0.5 NTU
Quistes**	53	Mínimo 50,000/L	166,500/L	<1/L	<1/L	>99.99%	>99.99%	>99.95%
Asbesto	53	10 ⁷ hasta 10 ⁸ fibras/L†	155 MF/L	<1 MF/L	<1 MF/L	>99.99%	>99.99%	>99%

**Basado en el uso de ooquistes de *Cryptosporidium Parvum* † Fibras mayores a 10 µm en longitud

NOTAS ESPECIALES

- Puede ordenar los cartuchos de filtros de agua Sub-Zero en línea en el sitio subzero.com/store. Si tiene alguna pregunta, comuníquese con la línea de atención al cliente de Sub-Zero al 800-222-7820.
- Reemplace el cartucho del filtro por lo menos cada doce meses. Las zonas con altas concentraciones de sedimentos pueden requerir cambiar el cartucho del filtro con más frecuencia.
- Las instrucciones de instalación y operación, disponibilidad de partes y servicio, y la garantía estándar se incluyen con el producto al enviarlo.
- Reemplace el cartucho del filtro de agua cuando se encienda la luz del indicador del filtro o cuando el afluente de agua sea demasiado bajo. Utilice el cartucho del filtro de agua de repuesto con número de pieza 4204490. Puede encontrar el precio para el filtro de repuesto en subzero.com.
- No lo use para agua que no es segura desde el punto de vista microbiológico, o si se desconoce la calidad, sin un sistema de desinfección adecuado instalado antes o después de este sistema.
- Los sistemas certificados para reducción de quistes pueden usarse para agua desinfectada que pudiera contener quistes filtrables.
- Para que el producto se desempeñe según lo previsto, este sistema se debe instalar, operar y mantener, como se establece, y cambiar los filtros cuando sea necesario.
- Tenga en cuenta que, aunque se realizaron pruebas bajo condiciones normales de laboratorio, el rendimiento real puede variar. Los contaminantes u otras sustancias eliminadas o reducidas por este sistema de filtrado de agua no necesariamente se encuentran en su agua.

Solución de problemas

OPERACIÓN DE LA MÁQUINA

Las luces no funcionan o no enfría.

- Compruebe que esté encendida.
- Compruebe que la corriente eléctrica a la unidad y el disyuntor de la casa estén encendidos.

El refrigerador o el congelador no tienen luz.

- La puerta/cajón tal vez se dejó abierta, lo cual desactivó las luces para eliminar el exceso de calor. Si las luces están apagadas, mantenga cerrados la puerta/el cajón durante una hora. Si las luces aún permanecen apagadas, póngase en contacto con el servicio certificado de fábrica de Sub-Zero.
- El servicio certificado de fábrica de Sub-Zero debe reemplazar la luz LED interior.

Hay formación de escarcha, condensación o hielo dentro de la unidad.

- Compruebe si el condensador está limpio.
- Compruebe que la puerta/el cajón estén cerrando correctamente.
- Compruebe que la puerta/el cajón no hayan quedado abiertos.
- Compruebe que el empaque de la puerta/del cajón no tenga rasgaduras ni roturas. En tal caso, póngase en contacto con el servicio certificado de fábrica de Sub-Zero.
- Si la formación de hielo es muy gruesa, apague la unidad y use una vaporera de mano para derretir el hielo. No use un secador de pelo. Una vez que el hielo se derrita, seque el agua con un paño o toalla de papel.

A altas temperaturas, la unidad funciona en exceso o la unidad emite demasiado calor.

- Compruebe si el condensador está limpio.
- Compruebe que la puerta/el cajón estén cerrando correctamente.
- Compruebe que la puerta/el cajón no hayan quedado abiertos.
- El aumento de la temperatura ambiente puede causar que el compresor funcione durante más tiempo.
- Si la pantalla muestra una temperatura de 38° y 0°, pero no enfría, es posible que la unidad esté en modo de sala de exposición. Comuníquese con la línea de atención al cliente de Sub-Zero al 800-222-7820.



OLOR

- Debe limpiar la unidad antes de utilizarla por primera vez. Esto eliminará todos los olores que hayan quedado atrapados durante el envío.
- Cambie el cartucho de purificación de aire.
- Limpie a fondo la unidad y los estantes.
- Los alimentos descubiertos pueden generar olores que pueden hacer necesaria una limpieza.
- Extraiga y limpie la bandeja de drenaje que se encuentra detrás del zócalo y vuelva a instalarla.

Solución de problemas

PRODUCCIÓN DE HIELO

No sale hielo.

- Compruebe  que  aparezca en la pantalla externa del congelador.
- Compruebe que el fabricante de hielo haya estado encendido por lo menos por 24 horas.
- Compruebe que la temperatura del congelador sea próxima a 0 °F.
- Verifique que el contenedor de hielo esté bien instalado.
- Verifique que el brazo del fabricante de hielo se encuentre en la posición hacia abajo.
- Compruebe que la unidad tenga suministro de agua.
- Compruebe que el filtro de agua haya sido reemplazado en los últimos 12 meses y si fue instalado correctamente.
- Compruebe que el filtro de agua haya sido extraído o que se esté utilizando un sistema de filtrado por ósmosis inversa.

El hielo tiene color azul o verde.

- Posiblemente haya corrosión en la línea de suministro de cobre. Póngase en contacto con un plomero para limpiarla o cambiarla.

Manchas negras en los cubos de hielo.

- Detenga el uso y póngase en contacto con el servicio certificado de fábrica de Sub-Zero.

Mal sabor.

- Descongele el congelador y límpielo con agua y jabón.
- Coloque granos de café o pedazos de carbón en el congelador para absorber el olor.

Los cubos de hielo están huecos.

- Limpie el condensador. Si no puede resolver el problema, póngase en contacto con el servicio certificado de fábrica de Sub-Zero.

SERVICIO

- Para mantener la calidad de su producto, póngase en contacto con el servicio certificado de fábrica de Sub-Zero. Para obtener los datos del centro de servicio autorizado de Sub-Zero más cercano, consulte la sección de contacto y servicio técnico en nuestro sitio web, subzero.com o llame a la línea de atención al cliente de Sub-Zero al 800-222-7820.
- Al comunicarse con el servicio, necesitará el modelo y número de serie de su máquina. Los dos números aparecen en la placa de datos del producto. Consulte la página 4 para encontrar la placa de datos.
- Para fines de la garantía, también necesitará la fecha de instalación y el nombre de su distribuidor autorizado de Sub-Zero. Esta información debe estar registrada en la página 2.

Garantía limitada residencial de Sub-Zero

PARA USO RESIDENCIAL

GARANTÍA COMPLETA DE DOS AÑOS*

Durante dos años a partir de la fecha de la instalación original, la garantía de su producto Sub-Zero cubre todos los repuestos y mano de obra para reparar o cambiar, bajo el uso residencial normal, cualquier parte del producto que se compruebe estar defectuosa en material o mano de obra. Todos los servicios proporcionados por Sub-Zero bajo la garantía anterior deben ser realizados por servicios certificados de fábrica de Sub-Zero, a menos que Sub-Zero Inc. lo especifique de otra manera. El Servicio se hará durante el horario comercial normal.

GARANTÍA COMPLETA DE CINCO AÑOS SOBRE EL SISTEMA CERRADO

Durante cinco años a partir de la fecha de la instalación original, la garantía de Sub-Zero cubre todos los repuestos y mano de obra para reparar o cambiar, bajo el uso residencial normal, cualquiera de estos componentes que se compruebe estar defectuoso en material o mano de obra: compresor, condensador, evaporador, secador y toda la tubería de conexión. Todos los servicios proporcionados por Sub-Zero bajo la garantía anterior deben ser realizados por servicios certificados de fábrica de Sub-Zero, a menos que Sub-Zero Inc. lo especifique de otra manera. El Servicio se hará durante el horario comercial normal.

GARANTÍA LIMITADA DE DOCE AÑOS SOBRE EL SISTEMA CERRADO

Durante doce años a partir de la fecha de la instalación original, Sub-Zero reparará o cambiará los siguientes componentes que se compruebe están defectuosos en material o mano de obra: compresor, condensador, evaporador, secador y toda la tubería de conexión. Si el propietario usa el servicio certificado de fábrica de Sub-Zero, el prestador del servicio reparará o cambiará estas piezas mediante el pago de todos los demás costos, incluyendo la mano de obra, a cargo del propietario. Si el propietario usa un servicio no certificado, debe ponerse en contacto con Sub-Zero, Inc. (mediante la información anotada más adelante) para recibir los componentes reparados o de reemplazo. Sub-Zero no reembolsará al propietario los importes correspondientes a componentes comprados a un servicio no certificado o a otras fuentes.

TÉRMINOS APLICABLES A CADA GARANTÍA

La garantía se aplica solamente a los productos instalados para uso residencial normal. La garantía se aplica solamente a los productos instalados en cualquiera de los cincuenta estados de Estados Unidos, el Distrito de Columbia o las diez provincias de Canadá. Esta garantía no cubre las partes o mano de obra para corregir cualquier defecto causado por negligencia, accidente o uso, mantenimiento, instalación, servicio o reparación inadecuados.

LOS RECURSOS DESCRITOS ANTERIORMENTE PARA CADA GARANTÍA SON LOS ÚNICOS QUE SUB-ZERO, INC. PROPORCIONARÁ, YA SEA BAJO ESTA GARANTÍA O BAJO CUALQUIER GARANTÍA QUE RESULTE DE LA APLICACIÓN DE LA LEY. SUB-ZERO, INC. NO SE HACE RESPONSABLE POR LOS DAÑOS INDIRECTOS O INCIDENTALES DERIVADOS DEL INCUMPLIMIENTO DE ESTA GARANTÍA O CUALQUIER OTRA GARANTÍA, YA SEA EXPRESA, IMPLÍCITA O LEGAL.

Algunos estados no permiten la exclusión o limitación de daños incidentales o consecuentes, por lo tanto la limitación o exclusión anterior podrían no aplicarse en su caso. Esta garantía le otorga derechos legales específicos y usted también puede tener otros derechos legales que varían entre estados.

Para recibir los repuestos y/o el servicio y el nombre del servicio certificado de fábrica de Sub-Zero más cercano a usted, póngase en contacto con Sub-Zero, Inc., P.O. Box 44848, Madison, WI 53744; eche un vistazo a la sección de contacto y servicio técnico en nuestro sitio web, subzero.com, envíenos un correo electrónico a customerservice@subzero.com o llame al 800-222-7820.

*Las puertas, paneles, asas, marcos y superficies internas de acero inoxidable están cubiertas por una garantía limitada de 60 días para repuestos y mano de obra, por defectos cosméticos.

*Los filtros de agua de repuesto y los cartuchos de purificación de agua no están cubiertos por la garantía del producto.



Table des matières

- 3 Précautions de sécurité
- 4 Caractéristiques PRO
- 5 Commandes électroniques
- 6 Stockage
- 8 Fonctionnement
- 11 Conseils d'entretien
- 12 Données techniques
- 13 Dépannage
- 15 Garantie Sub-Zero

AVERTISSEMENT

PROPOSITION 65 POUR RESIDENTS DE LA CALIFORNIE

Cancer et Troubles de l'appareil reproducteur—
www.P65Warnings.ca.gov

Service à la clientèle

Le numéro de modèle et le numéro de série sont imprimés sur la fiche d'enregistrement du produit ci-jointe. Les deux numéros sont aussi indiqués sur la plaque signalétique du produit. Reportez-vous à la page 4 pour connaître l'emplacement de la plaque signalétique. Pour les besoins de la garantie, vous devrez aussi avoir la date d'installation et le nom de votre dépositaire Sub-Zero autorisé. Inscrivez ces renseignements ci-dessous pour consultation ultérieure.

RENSEIGNEMENTS SUR LE SERVICE

Numéro de modèle

Numéro de série

Date de l'installation

Nom du service certifié

Numéro du service certifié

Dépositaire autorisé

Numéro du dépositaire

Si votre produit a besoin d'être réparé, assurez-vous d'utiliser un fournisseur de service certifié par l'usine Sub-Zero recommandé par notre centre de service à la clientèle, ou sélectionnez-en un parmi la liste de fournisseurs disponibles à subzero.com/locator. Tous les fournisseurs de service certifiés par l'usine sont soigneusement sélectionnés et rigoureusement formés par nous.

Remarque importante

Pour s'assurer que ce produit est installé et utilisé en toute sécurité et aussi efficacement que possible, prenez note des types de renseignement mis en évidence tout au long de ce guide :

REMARQUE IMPORTANTE met en évidence des renseignements qui sont particulièrement importants.

MISE EN GARDE indique une situation où une blessure mineure ou des dommages au produit peuvent se produire si les directives ne sont pas respectées.

AVERTISSEMENT décrit un danger qui peut causer une blessure grave ou la mort si les précautions ne sont pas respectées.

REMARQUE IMPORTANTE : Tout au long de ce guide, les dimensions entre parenthèses sont en millimètres à moins d'indication contraire.

DIRECTIVES IMPORTANTES

▲ AVERTISSEMENT

N'entreposez pas des substances explosives comme les aérosols avec des gaz propulseurs inflammables à proximité de l'appareil.

▲ AVERTISSEMENT

Gardez les ouïes de ventilation, dans l'encastrement de l'appareil ou dans la structure intégrée, libres de toutes obstructions.

▲ AVERTISSEMENT

N'utilisez aucun dispositif mécanique, ni tout autre moyen pour accélérer le dégivrage, autres que ceux recommandés par le fabricant.

▲ AVERTISSEMENT

Ne pas endommager le circuit de réfrigérant.

▲ AVERTISSEMENT



Ce symbole indique un risque d'incendie/de matériaux inflammables.

▲ AVERTISSEMENT

⇨●⇩ Ce symbole indique une pression.

▲ MISE EN GARDE

Les machines à glaçons intégrées doivent être installées par le fabricant ou son agent de service.

▲ AVERTISSEMENT

N'utilisez pas d'appareils électriques à l'intérieur des compartiments de rangement des aliments de l'appareil, à moins qu'il s'agisse d'appareils recommandés par le fabricant.

▲ AVERTISSEMENT

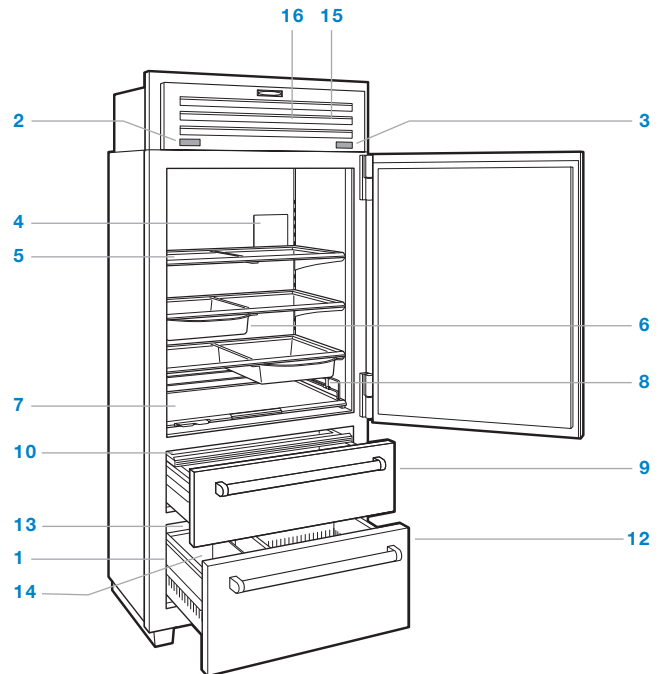
Cet appareil n'est pas destiné à être utilisé par des personnes (y compris des enfants) ayant des capacités physiques, sensorielles ou mentales réduites, ou manquant d'expérience et de connaissances, à moins qu'une personne responsable de leur sécurité ne les ait supervisées ou instruites.

Les enfants doivent être surveillés pour s'assurer qu'ils ne jouent pas avec cet appareil.

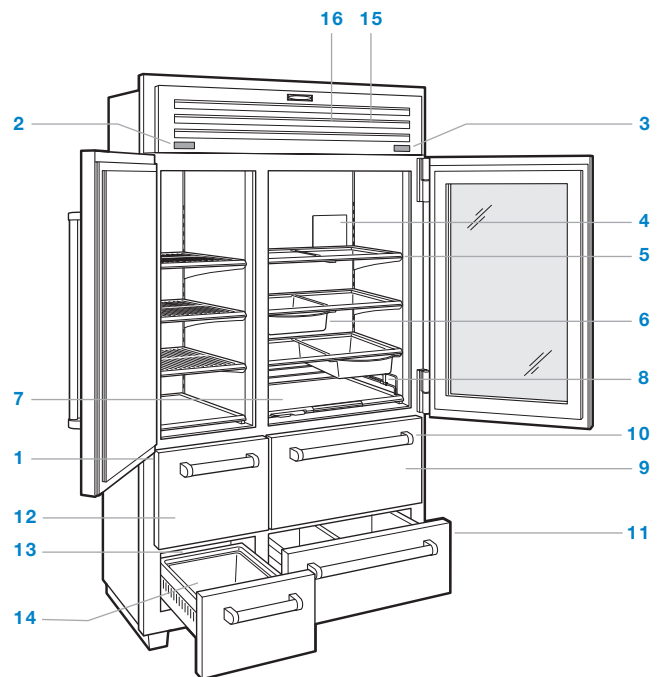
Caractéristiques PRO

CARACTÉRISTIQUES

1	Plaque signalétique (dans le tiroir)
2	Écran tactile externe du congélateur
3	Écran tactile externe du réfrigérateur
4	Système de purification d'air
5	Tablettes en verre
6	Bacs coulissants
7	Tablette coulissante
8	Supports pour rail latéral
9	Bac à légumes du réfrigérateur
10	Couvercle amovible du bac à légumes
11	Tiroir de rangement du réfrigérateur
12	Tiroir de rangement du congélateur
13	Machine à glaçons automatique
14	Contenant à glace
15	Système de filtration d'eau (derrière la grille)
16	Condensateur (derrière la grille)




PRO3650 (modèle à porte pleine)



PRO4850G (modèle à porte en verre)


Commandes tactiles interactives

Pour la mise en marche initiale, enfoncez et gardez enfoncée la touche  POWER sur l'un ou l'autre des écrans tactiles externes, situés sur la grille.

La température peut être réglée dans des incréments d'un degré.

Les écrans externes droit et gauche contrôlent des zones de température différentes dans l'unité, mais ils peuvent tous deux accéder le menu de réglage.

ÉCRAN TACTILE EXTERNE

Pour déverrouiller l'écran, appuyez sur la touche  et gardez-la enfoncée pendant trois secondes. L'écran se verrouillera automatiquement après une période de 30 secondes d'inactivité. Reportez-vous aux illustrations ci-dessous.

Pour régler la température, touchez à la température affichée à côté de l'icône de zone correspondante.

Pour mettre la machine à glaçons en marche ou l'arrêter, ou pour maximiser la production de glaçons, touchez à l'icône de glaçon(s).




Écran du congélateur
(modèle de 36 po illustré)





Écran du réfrigérateur


RÉGLAGES


Pour accéder au menu des réglages, touchez à  sur l'un ou l'autre des écrans tactiles externes.


RÉGLAGES


-  Active ou désactive l'alimentation de l'unité


-  Active ou désactive le verrouillage automatique de l'écran


-  Active, désactive ou rafraîchit le reste de la durée utile du purificateur


-  Active ou désactive l'alarme de la porte/du tiroir et sa durée


-  Active ou désactive la connexion


-  Active, désactive le rappel, ou rafraîchit le rappel de la durée utile du filtre


-  Active ou désactive le mode Shabbath

-  Règle l'éclairage doux ou l'éclairage d'appoint (le cas échéant)

-  Règle l'unité de température

-  Règle le volume et la tonalité de l'alarme

-  Sélectionne la langue

-  Permet de voir les renseignements sur le dépannage et le service

Garder la nourriture à son meilleur

DUAL REFRIGERATION® (RÉFRIGÉRATION DOUBLE)

Cet appareil Sub-Zero est muni d'un système à réfrigération double Dual Refrigeration® unique pour garder les aliments frais plus longtemps. Les trois commandes séparées permettent de régler le réfrigérateur, le(s) tiroir(s) du réfrigérateur et le congélateur à des températures différentes.

Avec le système de réfrigération double Dual Refrigeration® de Sub-Zero, les systèmes de réfrigération et de congélation individuels ont été conçus pour maintenir des températures précises, constantes et des niveaux d'humidité appropriés pour une durée de vie plus longue des aliments. La réfrigération double Dual Refrigeration® élimine le transfert de l'odeur des aliments frais aux aliments congelés et aux glaçons et ne gèle pas l'humidité dans l'air dans la section des aliments frais.

Pour obtenir des conseils pratiques et des renseignements sur la façon de maximiser la fraîcheur des aliments, reportez-vous aux fiches de fraîcheur se trouvant dans le réfrigérateur.

Entreposage dans le réfrigérateur

TABLETTES EN VERRE

Pour retirer ou ajuster une tablette en verre, inclinez-la vers le haut, puis soulevez-la vers le haut et l'extérieur. Pour la replacer, insérez la tablette dans les pistes le long de la paroi arrière, puis abaissez le devant jusqu'à ce qu'elle s'enclenche en place. Reportez-vous à l'illustration ci-dessous.

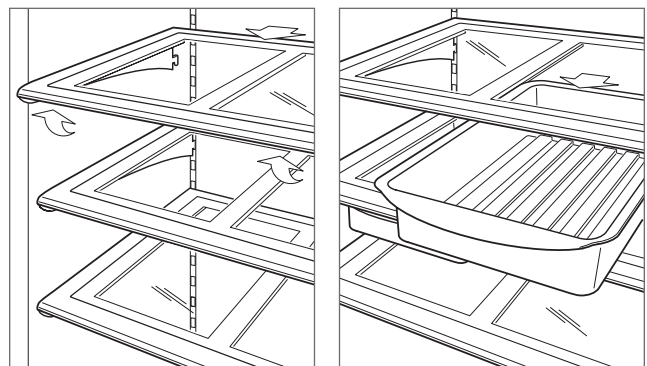
REMARQUE IMPORTANTE : Faites attention lors de la manipulation des tablettes en verre pour éviter de les briser ou d'égratigner l'intérieur.

⚠ MISE EN GARDE

Réchauffez les tablettes en verre jusqu'à la température de la pièce avant de les immerger dans de l'eau chaude.

BACS COULISSANTS

Les rails intégrés montés sous les tablettes en verre permettent de placer les bacs coulissants dans une variété de positions. Pour retirer ou régler un bac coulissant, tirez la poignée du bac vers l'avant jusqu'à ce qu'il s'arrête, soulevez vers le haut et hors des rails. Reportez-vous à l'illustration ci-dessous.



Retrait d'une tablette en verre

Retrait d'un bac coulissant.

Entreposage dans le réfrigérateur

TABLETTE COULISSANTE

La tablette inférieure se tire facilement pour faciliter l'accès aux condiments et aux autres articles souvent rangés dans les balconnets. Les rails réglables gardent les articles fermement en place. Pour régler, tirez le rail vers le haut et tournez. Reportez-vous à l'illustration ci-dessous.

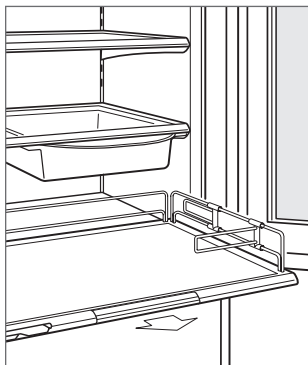
COUVERCLE DU BAC À LÉGUMES

Pour retirer le couvercle du bac à légumes, tirez le tiroir supérieur du réfrigérateur complètement, soulevez le rebord avant du couvercle du bac à légumes, et retirez-le en agrippant l'arrière. Reportez-vous à l'illustration ci-dessous.

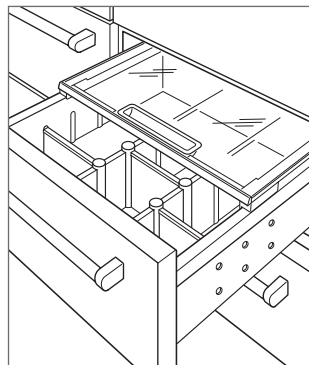
SÉPARATEURS DE TIROIR

De longs séparateurs séparent la longueur complète du tiroir, tandis que les séparateurs courts se lient aux longs séparateurs pour compartimenter le tiroir.

Pour retirer les séparateurs courts, soulevez-les vers le haut et l'extérieur. Les séparateurs longs ne peuvent pas être retirés.



Tablette coulissante



Couvercle du bac à légumes (modèle de 48 po illustré)

Entreposage dans le congélateur

TABLETTES EN ACIER INOXYDABLE (MODÈLES DE 48 PO)

Pour retirer ou ajuster une tablette, inclinez-la vers le haut, puis soulevez-la vers le haut et l'extérieur. Pour installer, insérez la tablette dans les pistes le long de la paroi arrière, puis abaissez le devant jusqu'à ce qu'elle s'enclenche en place.

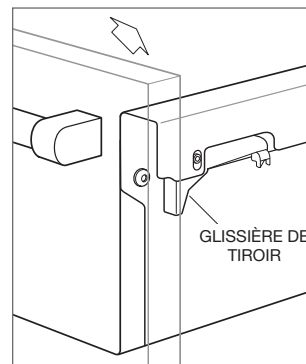
CONTENANT À GLACE

Pour retirer le contenant à glace, tirez le tiroir complètement vers l'avant, puis soulevez le contenant vers le haut et l'extérieur.

Tiroirs de rangement

Les tiroirs de rangement du réfrigérateur et du congélateur sont amovibles pour les nettoyer. Une butée automatique est intégrée pour empêcher les tiroirs de sortir complètement par mégarde.



Pour le retirer, tirez le tiroir à pleine extension. Appliquez une pression avant sur la glissière du tiroir et tirez sur la poignée du tiroir. Reportez-vous à l'illustration ci-dessous.



Retrait du tiroir

Système de purification d'air

Le système de purification d'air avancé réduit les bactéries, les odeurs et le gaz éthylène qui causent le mûrissement prématuré des fruits et des légumes. La cartouche de purification d'air a été installée à l'usine et se trouve à l'intérieur du réfrigérateur sur le mur arrière.

Pour initier la purification de l'air, touchez à , puis touchez à .

La cartouche durera approximativement un an. Le message « Change Air Purifier » apparaîtra sur l'écran lorsque la cartouche doit être remplacée. Touchez à « Snooze » pour faire réapparaître le rappel dans 24 heures ou jusqu'à ce que la cartouche puisse être remplacée. Touchez à « Refresh » pour réinitialiser l'indicateur de durée utile à 100 % après avoir remplacé la cartouche.

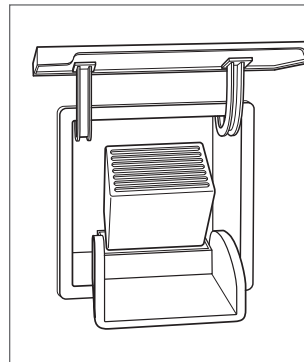
Vous pouvez commander des cartouches de purification d'air Sub-Zero en ligne à subzero.com/store. Pour toute question, communiquez avec le service à la clientèle de Sub-Zero à 800-222-7820.

▲ MISE EN GARDE

Le système de purification d'air se conforme aux exigences fédérales applicables concernant l'exposition accidentelle au rayonnement ultraviolet. La lampe contient du mercure. Manipulez conformément aux lois d'élimination. Visitez earth911.com ou composez le 800-222-7820.

REPLACEMENT DE LA CARTOUCHE DE PURIFICATION D'AIR

- 1 Pour accéder à la cartouche de purification d'air, agrippez le couvercle extérieur du fond et pivotez vers le haut. Reportez-vous à l'illustration ci-dessous.
- 2 Agrippez le couvercle noir du dessus et pivotez vers le bas. La cartouche sortira et peut alors être retirée.
- 3 Retirez la nouvelle cartouche de l'emballage et insérez en pointant le connecteur vers le bas.
- 4 Une fois en position, fermez le couvercle noir. Ensuite, pivotez le couvercle extérieur vers le bas jusqu'à ce qu'il se ferme contre le mur arrière.
- 5 Une fois la nouvelle cartouche remplacée, suivez les directives affichées sur l'écran. Le cycle de vie de la cartouche se réinitialisera pour une durée d'environ un an.



Cartouche de purification d'air

Système de filtration d'eau

Le système de filtration d'eau fournit de l'eau filtrée à la machine à glaçons.

REMARQUE IMPORTANTE : Jetez les deux premiers contenants remplis de glaçons chaque fois que vous remplacez le filtre.

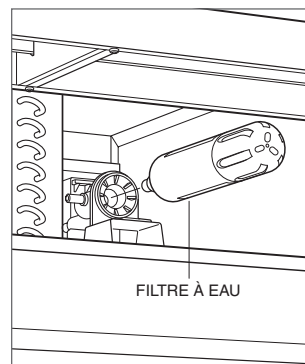
Si le système de filtration d'eau ne sera pas utilisé, il peut être contourné en retirant le filtre à eau.

Le filtre est qualifié pour 750 gallons (2 839 l) ou un an, le premier des deux prévalant. Le message « Change Water Filter » apparaîtra sur l'écran lorsque la cartouche doit être remplacée. Touchez à « Snooze » pour faire réapparaître le rappel dans 24 heures ou jusqu'à ce que la cartouche puisse être remplacée. Touchez à « Refresh » pour réinitialiser l'indicateur de durée de vie à 100 % après avoir remplacé le filtre.

Des filtres à eau Sub-Zero de rechange peuvent être commandés en ligne à subzero.com/store. Pour toute question, communiquez avec le service à la clientèle de Sub-Zero à 800-222-7820.



REPLACEMENT DU FILTRE À EAU



- 1 Pour accéder au filtre à eau, pivotez la partie inférieure de la grille vers le haut.
- 2 Pour retirer l'ancien filtre, pivotez-la dans le sens antihoraire d'un quart de tour et tirez vers l'extérieur. Reportez-vous à l'illustration ci-dessous. Il est normal qu'une petite quantité d'eau s'écoule lorsque le filtre est retiré. Elle doit être essuyée avec une serviette en papier ou un chiffon.
- 3 Retirez le nouveau filtre de l'emballage et retirez le capuchon en plastique.
- 4 Insérez le nouveau filtre dans le collecteur et tournez dans le sens horaire.
- 5 Une fois le nouveau filtre installé, le moniteur de durée utile du filtre à eau se réinitialise automatiquement.



Retrait du filtre à eau

Fonctionnement de la machine à glaçons

Pour initier la production de glaçons, touchez à  sur l'écran tactile externe du congélateur.  sera visible sur l'écran. Après le démarrage initial, jetez les premiers quelques lots de glaçons. Les glaçons peuvent contenir des impuretés provenant des nouvelles connexions de plomberie.

La fonction maximum de glaçons augmente la production de glaçons de jusqu'à 30 % pendant une période de 24 heures. Touchez à  pour activer la production maximale de glaçons.  sera visible sur l'écran.

Si les glaçons ne sont pas utilisés régulièrement, ils peuvent se fusionner ensemble. Pour éviter ceci, jetez les glaçons et laissez la machine à glaçons se ravitailler.

Shabbath

Cet appareil est certifié par Star-K pour répondre à des règlements religieux rigoureux relativement à des directives précises se trouvant sur www.star-k.org.

Nettoyage

NETTOYAGE INTÉRIEUR

Pour nettoyer les surfaces intérieures et toutes les pièces amovibles, lavez avec une solution douce de savon, d'eau et de bicarbonate de soude. Rincez et séchez à fond. Évitez de mettre de l'eau sur les lumières.

▲ MISE EN GARDE

N'utilisez pas de vinaigre, de l'alcool à friction ou d'autres nettoyants à base d'alcool sur toute surface intérieure.

EXTÉRIEUR EN ACIER INOXYDABLE

Utilisez un nettoyant non abrasif pour l'acier inoxydable et appliquez-le avec un chiffon doux non pelucheux. Pour faire ressortir le lustre naturel, essuyez légèrement la surface avec un chiffon en microfibras humecté d'eau suivi d'un chamois à polir sec. Suivez toujours le grain de l'acier inoxydable.

NETTOYAGE DU CONDENSATEUR

▲ MISE EN GARDE

Avant de nettoyer le condensateur, coupez l'alimentation de l'unité. Portez des gants pour éviter toute blessure causée par les ailettes tranchantes du condensateur.

Le condensateur est situé derrière la grille. Pour accéder, pivotez le fond de la grille vers le haut. Utilisez une brosse à soie souple et un aspirateur pour éliminer la poussière et les peluches de la zone du condensateur. Nettoyez le condensateur tous les 6 à 12 mois. Reportez-vous à l'illustration ci-dessous.

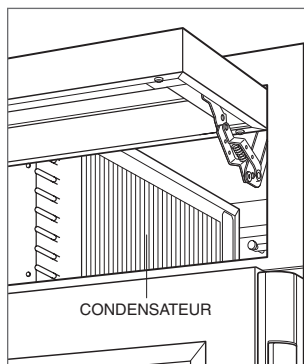
REMARQUE IMPORTANTE : Pour éviter d'endommager les ailes du condensateur, passez l'aspirateur dans la direction des ailettes.

▲ MISE EN GARDE

L'omission de nettoyer le condensateur pourrait entraîner une perte de température, une défaillance mécanique ou des dommages.

VACANCES

Lorsque vous devez vous absenter pendant de longues périodes, éteignez l'unité. Videz l'unité et bloquez les portes en position ouverte pour laisser de l'air frais circuler et garder l'intérieur sec. Le filtre à eau doit être remplacé avant la mise en marche.



Emplacement du condensateur

Données sur le système de filtration d'eau Sub-Zero

CARTOUCHE DE RECHANGE (4204490)



Testé et certifié par la NSF International comme étant conforme à la norme 42 de la NSF/ANSI (institut national américain de normalisation) pour la réduction du goût et de l'odeur du chlore, des particules de catégorie I et conforme à la norme 53 de la NSF/ANSI pour la réduction du plomb, du mercure, de l'atrazine, du benzène, du carbofurane, du 1,4-dichlorobenzène, du lindane, du toxaphène, de la turbidité, des spores et de l'amiante.

Ce système a été testé conformément aux normes 42/53 de la NSF/ANSI pour la réduction des substances indiquées ci-dessous. La concentration des substances indiquées dans l'eau entrant dans le système a été réduite à une concentration inférieure ou égale à la limite permise pour l'eau quittant le système, comme il est précisé dans les normes 42/53 NSF/ANSI.

SPÉCIFICATIONS DE FONCTIONNEMENT

Capacité : certifié pour jusqu'à 750 gallons (2 838 l); jusqu'à douze mois

Exigence de pression : 35 – 120 lb/po² (2,8 – 8,2 bars)

Température : 33 – 100 °F (0,6 – 38 °C)

Vitesse de filtration : 0,78 gal/min (2,9 l/min)

Substance	Norme NSF	Concentration influente d'amorce	Concentration influente moyenne	Concentration en eau du produit		% de réduction		Concentration maximale d'eau du produit permise
				Moyenne	Effluente max.	Moyen	Minimum	
Chlore, goût et odeur	42	2,0 mg/l ± 10 %	1,88 mg/l	0,05 mg/l	0,06 mg/l	97,34 %	96,80 %	≥ 50 %
Taille des particules	42	Au moins 10 000 particules/ml	5 700 000/ml	30 583/ml	69 000/ml	99,46 %	98,78 %	≥ 85 %
Plomb à pH de 6,5	53	0,15 mg/l ± 10 %	0,153 mg/l	<0,001 mg/l	<0,001 mg/l	99,34 %	99,34 %	0,010 mg/l
Plomb à pH de 8,5	53	0,15 mg/l ± 10 %	0,150 mg/l	<0,001 mg/l	<0,001 mg/l	99,33 %	99,33 %	0,010 mg/l
Mercure à pH de 6,5	53	0,006 mg/l ± 10 %	0,006 mg/l	0,0003 mg/l	0,0005 mg/l	95,00 %	91,66 %	0,002 mg/l
Mercure à pH de 8,5	53	0,006 mg/l ± 10 %	0,006 mg/l	0,0008 mg/l	0,0015 mg/l	86,66 %	75,00 %	0,002 mg/l
Atrazine	53	0,009 mg/l ± 10 %	0,009 mg/l	<0,002 mg/l	<0,002 mg/l	77,77 %	77,77 %	0,003 mg/l
Benzène	53	0,015 mg/l ± 10 %	0,014 mg/l	0,0006 mg/l	0,0011 mg/l	95,71 %	92,14 %	0,005 mg/l
Carbofurane	53	0,08 mg/l ± 10 %	0,081 mg/l	<0,001 mg/l	<0,001 mg/l	98,76 %	98,76 %	0,04 mg/l
1,4-dichlorobenzène	53	0,225 mg/l ± 10 %	0,208 mg/l	<0,0005 mg/l	<0,0005 mg/l	99,75 %	99,75 %	0,075 mg/l
Lindane	53	0,002 mg/l ± 10 %	0,002 mg/l	0,00003 mg/l	0,00007 mg/l	98,50 %	96,50 %	0,0002 mg/l
Toxaphène	53	0,015 mg/l ± 10 %	0,015 mg/l	<0,001 mg/l	<0,001 mg/l	93,33 %	93,33 %	0,003 mg/l
Turbidité	53	11 ± 1 uTN	10,7 uTN	0,31 uTN	0,49 uTN	97,10 %	95,42 %	0,5 uTN
Spores**	53	Minimum de 50 000/l	166 500/l	<1/l	<1/l	≥99,99 %	≥99,99 %	≥99,95 %
Amiante	53	10 ⁷ à 10 ⁸ fibres/l†	155 MF/l	<1 MF/l	<1 MF/l	≥99,99 %	≥99,99 %	≥99 %

**Selon l'utilisation d'okystes *Cryptosporidium Parvum* † Fibres supérieures à 10 µm de longueur

REMARQUES SPÉCIALES

- Des filtres à eau de rechange Sub-Zero peuvent être commandés en ligne à subzero.com/store. Pour toute question, communiquez avec le service à la clientèle de Sub-Zero à 800-222-7820.
- Remplacez le filtre au moins une fois tous les douze mois. Les endroits à sédiments élevés pourront nécessiter un remplacement de cartouche plus fréquent.
- Des directives d'installation et de fonctionnement, la disponibilité des pièces et du service et la garantie standard sont comprises avec le produit lorsqu'il est expédié.
- Remplacez la cartouche du filtre à eau lorsque l'indicateur du filtre est allumé ou lorsque le débit d'eau est trop faible. Utilisez le filtre à eau de rechange numéro de pièce 4204490. Des renseignements sur le prix du filtre de rechange se trouvent à subzero.com.
- N'utilisez pas de l'eau qui est microbiologiquement insalubre ou de l'eau de qualité inconnue sans une désinfection adéquate avant ou après le système.
- Les systèmes certifiés pour la réduction de spores peuvent être utilisés avec de l'eau désinfectée qui peut contenir des spores filtrables.
- Ce système doit être installé, utilisé et maintenu et les filtres doivent être remplacés au besoin afin que le produit fonctionne comme il est indiqué.
- Veuillez noter que les essais ont été effectués dans des conditions de laboratoire normales; la performance réelle peut varier. Les contaminants ou les autres substances éliminés ou réduits par ce système de traitement d'eau ne se trouvent pas nécessairement dans votre eau.

Fabriqué pour : Sub-Zero, Inc., P.O. Box 44848, Madison, WI 53744 É.-U., 800-222-7820

Dépannage

FONCTIONNEMENT DE L'UNITÉ

Pas de lumière ou de refroidissement.

- Assurez-vous qu'il y a du courant.
- Vérifiez l'alimentation électrique vers l'unité et que le disjoncteur de la résidence est en marche.

Pas de lumière dans le réfrigérateur ou le congélateur.

- La porte/le tiroir peuvent avoir été laissés entrouverts, ce qui a désactivé les lumières pour éliminer l'excédent de chaleur. Si les lumières sont éteintes, fermez la porte/le tiroir pendant une heure. Si les lumières sont toujours éteintes, communiquez avec le service certifié par l'usine Sub-Zero.
- L'éclairage intérieur à DEL doit être remplacé par le service certifié par l'usine Sub-Zero.

Givre, condensation ou accumulation de glace à l'intérieur de l'unité.

- Assurez-vous que le condensateur est propre.
- Vérifiez que la porte/le tiroir soient bien fermés.
- Assurez-vous que la porte/le tiroir n'aient pas été laissés entrouverts.
- Vérifiez que le joint de la porte/du tiroir n'aient pas de coupures ou de déchirures. Le cas échéant, communiquez avec le service certifié par l'usine Sub-Zero.
- Si le glaçage est épais, éteignez l'appareil et utilisez un injecteur à vapeur manuel pour faire fondre la glace. N'utilisez pas un sèche-cheveux. Une fois la glace fondue, essuyez l'eau avec un chiffon ou une serviette en papier.

Températures élevées, l'unité fonctionne de façon excessive ou émet trop de chaleur.

- Assurez-vous que le condensateur est propre.
- Vérifiez que la porte/le tiroir soient bien fermés.
- Assurez-vous que la porte/le tiroir n'aient pas été laissés entrouverts.
- Des températures ambiantes élevées peuvent faire fonctionner les compresseurs plus longtemps.
- Si l'affichage de température indique 38° et 0°, mais ne se refroidit pas, l'unité peut se trouver en mode de salle d'exposition. Communiquez avec le service à la clientèle de Sub-Zero au 800-222-7820.



ODEUR

- L'unité doit être nettoyées avant de l'utiliser la première fois. Cela éliminera les odeurs qui ont pu être captées lors de l'expédition.
- Remplacez la cartouche de purification d'air.
- Nettoyez l'unité et les tablettes à fond.
- Des aliments non couverts peuvent dégager une odeur qui peut nécessiter un nettoyage.
- Retirez et nettoyez la cuvette d'égouttement située derrière la plaque de protection et réinstallez-la.

Dépannage

PRODUCTION DE GLAÇONS

Pas de glace.

- Assurez-vous que  ou  apparaissent sur l'écran externe du congélateur.
- Vérifiez que la machine à glaçons ait été mise en marche pendant au moins 24 heures.
- Vérifiez que la température du congélateur soit près de 0 °F.
- Vérifiez que le contenant à glaçons soit correctement installé.
- Vérifiez que le bras de la machine à glaçons est en position abaissée.
- Vérifiez que de l'eau soit alimentée vers l'unité.
- Vérifiez que le filtre ait été remplacé au cours des douze derniers mois et qu'il est correctement installé.
- Vérifiez que le filtre à eau ait été retiré si un système de filtration à osmose inverse est utilisé.

Les glaçons sont bleus ou verts.

- Possibilité de corrosion de la conduite d'alimentation en cuivre. Communiquez avec un plombier pour la faire nettoyer ou remplacer.

Flocons noirs dans les glaçons.

- Cessez d'utiliser et communiquez avec le service certifié par l'usine Sub-Zero.

Mauvais goût.

- Décongelez le congélateur et nettoyez avec de l'eau et du savon.
- Placez des marcs de café ou des briquettes de charbon dans le congélateur pour absorber l'odeur.

Glaçons creux.

- Nettoyez le condensateur. Communiquez avec le service certifié par l'usine Sub-Zero si cela ne corrige pas le problème.

SERVICE

- Préservez la qualité intégrée dans votre produit en communiquant avec un service certifié par l'usine Sub-Zero. Pour obtenir le nom du centre de service Sub-Zero certifié par l'usine le plus près de chez vous, consultez la section Contact et assistance de notre site Web, subzero.com, ou appelez le service à la clientèle de Sub-Zero au 800-222-7820.
- Avant d'appeler pour obtenir du service, ayez en main les numéros de modèle et de série de votre unité. Les deux numéros sont indiqués sur la plaque signalétique du produit. Reportez-vous à la page 4 pour connaître l'emplacement de la plaque signalétique.
- Pour les besoins de la garantie, vous devrez aussi avoir la date d'installation et le nom de votre dépositaire Sub-Zero autorisé. Ces renseignements doivent être notés à la page 2.

Garantie limitée résidentielle Sub-Zero

POUR UTILISATION RÉSIDENIELLE

GARANTIE COMPLÈTE DE DEUX ANS*

Pendant deux ans à compter de la date d'installation originale, cette garantie de produit Sub-Zero couvre toutes les pièces et la main d'œuvre pour réparer ou remplacer, selon un usage résidentiel normal, toute partie du produit qui s'avérerait défectueuse en vertu des matériaux ou de la fabrication. Le service fourni par Sub-Zero en vertu de la garantie ci-dessus doit être effectué par un centre de service Sub-Zero certifié par l'usine, à moins d'être précisé autrement par Sub-Zero, Inc. Le service sera fourni pendant les heures normales d'ouverture.

GARANTIE COMPLÈTE DE CINQ ANS SUR LE SYSTÈME SCELLÉ

Pendant cinq ans à compter de la date d'installation originale, cette garantie de produit Sub-Zero couvrira toutes les pièces et la main d'œuvre pour réparer ou remplacer, selon un usage résidentiel normal, les pièces qui s'avèreraient défectueuses en vertu des matériaux ou de la fabrication : le compresseur, le condensateur, l'évaporateur, le déshydrateur et toute la tuyauterie de connexion. Le service fourni par Sub-Zero en vertu de la garantie ci-dessus doit être effectué par un centre de service Sub-Zero certifié par l'usine, à moins d'être précisé autrement par Sub-Zero, Inc. Le service sera fourni pendant les heures normales d'ouverture.

GARANTIE LIMITÉE DE DOUZE ANS SUR LE SYSTÈME SCELLÉ

Pendant douze ans à compter de la date originale d'installation, Sub-Zero réparera ou remplacera les pièces suivantes qui s'avèreront défectueuses en vertu des matériaux ou de la fabrication : le compresseur, le condensateur, l'évaporateur, le déshydrateur et toute la tuyauterie de connexion. Si le propriétaire utilise le service Sub-Zero certifié en usine, le fournisseur de service réparera ou remplacera ces pièces et le propriétaire paiera pour tous les autres frais, y compris la main d'œuvre. Si le propriétaire utilise un service non certifié, il doit communiquer avec Sub-Zero, Inc. (avec les renseignements ci-dessous) pour obtenir des pièces réparées ou de rechange. Sub-Zero ne remboursera pas le propriétaire pour les pièces achetées d'un service non certifié ou d'autres sources.

CONDITIONS S'APPLIQUANT À CHAQUE GARANTIE

La garantie s'applique uniquement aux produits installés pour un usage résidentiel normal. La garantie s'applique seulement aux produits installés dans l'un des cinquante états des États-Unis, dans le District of Columbia ou les dix provinces du Canada. Cette garantie ne couvre pas les pièces ou la main d'œuvre pour corriger tout défaut causé par de la négligence, un accident ou une utilisation, un entretien, une installation, un service ou une réparation inappropriés.

LES REMÈDES DÉCRITS CI-DESSUS POUR CHAQUE GARANTIE SONT LES SEULS QUI SONT OFFERTS PAR SUB-ZERO, INC. EN VERTU DE CETTE GARANTIE OU EN VERTU DE TOUTE GARANTIE DÉCOULANT DE L'OPÉRATION DE LA LOI. SUB-ZERO, INC. NE SERA PAS RESPONSABLE DES DOMMAGES INDIRECTS OU CONSÉCUTIFS DÉCOULANT DE LA VIOLATION À CETTE GARANTIE OU À TOUTE GARANTIE, EXPRESSE, IMPLICITE OU LÉGALE.

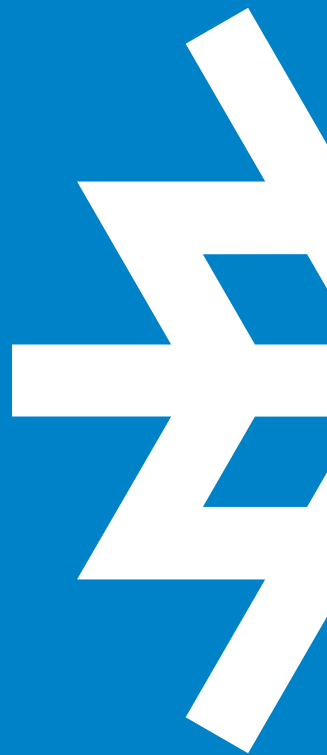
Certaines provinces ne permettent pas l'exclusion ou la restriction des dommages indirects ou consécutifs, par conséquent, la limite ou l'exclusion ci-dessus peut ne pas s'appliquer à votre cas. Cette garantie vous confère des droits légaux précis et vous pouvez aussi avoir d'autres droits légaux qui peuvent varier d'une province à l'autre.

Pour obtenir des pièces et/ou du service et le nom du centre de service Sub-Zero certifié par l'usine le plus près de chez vous, communiquez avec Sub-Zero, Inc., P.O. Box 44848, Madison, WI 53744 É.-U.; vérifiez la section contact et assistance de notre site Web, subzero.com, envoyez-nous un courriel à customerservice@subzero.com ou composez le 800-222-7820.

*L'acier inoxydable (les portes, les panneaux, les poignées, les cadres et les surfaces intérieures) est couvert par une garantie limitée de 60 jours sur les pièces et la main d'œuvre pour toute défectuosité cosmétique.

*Les cartouches du filtre à eau et de purification d'air de rechange ne sont pas couvertes par la garantie du produit.





SUB-ZERO, INC. P.O. BOX 44848 MADISON, WI 53744 SUBZERO.COM 800.222.7820

9014950 REV-D

6/2019

