

WARMING DRAWER 24"



CODE ID

24" WARMING DRAWER

F4DWD24S1



Sliding Telescopic Rails



Keep Warm Function



Leavening



Slow Cooking



Thawing

SPECIFICATIONS

WARMING DRAWER

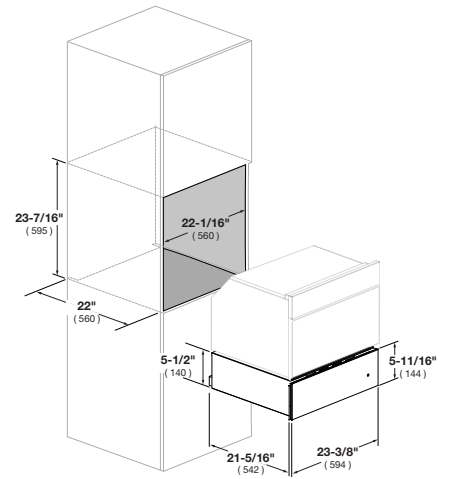
Knob Control
Full extendable telescopic rails
Capacity 0,5 cu. ft.
Fan Assisted Heating System
All stainless steel structure
Warming Temperature range; min. 86 °F up to 190 °F
Push latch system to open and close the door
Non-slip rubber mat
Internal Lighting

DRAWER 24" FUNCTIONS

Pre-heat dishes
Pre-heat coffee cups
Keep warm ready food
Defrosting
Leavening dough
Slow cooking min. 86 °F up to 190 °F

DISTINTO

WARMING DRAWER



| CODE ID | 24" WARMING DRAWER F4DWD24S1 | |
|-------------------------------------------|-----------------------------------------------|--------|
| Type | Warming Drawer | |
| Front finish | Panel | |
| Internal shelf | Stainless Steel | |
| Compatible with ovens | F7SP24S1 - F1SM24S2 - F7DSCO24S1 - F7DSPD24S1 | |
| PERFORMANCE | | |
| Maximum temperature | 185°F / 85°C | |
| Cooking at low temperature (slow cooking) | • | |
| Leavening | • | |
| Heating dishes and food | • | |
| Slow close assistance | - | |
| Open / Close push - pull system | • | |
| CONTROL | | |
| Thermostat | 86°F - 185°F / 30°C - 85°C | |
| Fan assisted | • | |
| Function Indicator / Thermostat on/off | • | |
| SAFETY | | |
| Safety front | • | |
| ELECTRICAL SPECIFICATIONS | | |
| Max power absorbed (W) | 400 W | |
| Power (V-Hz) | 120 V / 60 Hz | |
| Power cord | • | |
| Plug | • | |
| CAPACITY | | |
| Volume (cbft-litri) | 0,53 | 15 |
| DIMENSIONS | | |
| Overall dim - Width | 23 - 7/16" | 595 mm |
| Overall dim - Height | 6" | 153 mm |
| Overall dim - Depth | 21 - 7/16" | 545 mm |
| Cut-out - Width | 22 - 1/16" | 560 mm |
| Cut-out - Height | 5 - 1/2" | 140 mm |
| Cut-out - Depth | 22 - 1/16" | 560 mm |
| WEIGHT | | |
| Net Weight | 29 lbs | 13 Kg |
| Gross Weight | 34 lbs | 15 Kg |