



BEVERAGE CENTER

Use & Care Guide

For questions about features, operation/performance, parts or service, call: 1-800-253-1301
In Canada, call for assistance 1-800-807-6777 or visit our website at...
www.whirlpool.com or www.whirlpool.ca

REFRIGERADOR PARA BEBIDAS

Manual de Uso y Cuidado

Para consultas respecto a características, operación/desempeño, partes o servicio, llame al: 1-800-253-1301
o visite nuestro sitio de internet en...
www.whirlpool.com

RÉFRIGÉRATEUR POUR BOISSONS

Guide d'Utilisation et d'Entretien

Au Canada, pour assistance, composez le 1-800-807-6777
ou visitez notre site web à
www.whirlpool.ca

Table of Contents / Índice / Table des Matières...2

TABLE OF CONTENTS

Beverage Center safety	3	Beverage Center Features	8
Proper disposal of your old Beverage Center	3	Beverage Center shelves	8
Installation Instructions	4	Stocking the Beverage Center.....	8
Location requirements	4	Bottom rack 6 bottles	9
Electrical requirements	4	Beverage Center Care	8
Unpack the Beverage Center	5	Cleaning	10
Reverse door swing (optional)	5	Vacation and moving care	10
Door closing	6	Troubleshooting	10
Base grille	7	Assistance or Service	12
Beverage Center Use	7	In the U.S.A.....	12
Normal sounds.....	7	In Canada.....	12
Using the control.....	7	Accessories.....	12
		Whirlpool Refrigeration Limited Warranty	13

ÍNDICE

Seguridad del Refrigerador para Bebidas	15	Características del Refrigerador para Bebidas	20
Cómo deshacerse adecuadamente de su aparato refrigerado viejo.....	15	Estantes del Refrigerador para Bebidas.....	20
Instrucciones de Instalación	16	Como almacenar en el Refrigerador para Bebidas	20
Requisitos de ubicación	16	Bastidor 6 botellas	21
Requisitos eléctricos.....	16	Cuidado de su Refrigerador para Bebidas	21
Desempaque del Refrigerador para Bebidas	17	Limpieza.....	21
Cambio del sentido de apertura de la puerta (opcional)	17	Cuidado durante las vacaciones y mudanzas.....	22
Cierre de la puerta	18	Solución de Problemas	22
Rejilla de la base.....	19	Ayuda o Servicio Técnico	24
Uso de su Refrigerador para Bebidas	19	En los EE.UU.....	24
Sonidos normales	19	En Canadá	24
Uso del control.....	19	Accesorios	24
		Garantía Limitada del Refrigerador Whirlpool	25

TABLE DES MATIÈRES

Sécurité du Réfrigérateur pour Boissons	27	Caractéristiques du Réfrigérateur pour Boissons	32
Mise au rebut de votre vieux réfrigérateur pour boissons.....	27	Tabletes du réfrigérateur pour boissons.....	32
Instructions D'Installation	28	Stockage dans le réfrigérateur pour boissons	32
Exigences d'emplacement.....	28	Panier inférieur 6 bouteilles	33
Spécifications électriques.....	28	Entretien du Réfrigérateur pour Boissons	33
Déballage du réfrigérateur pour boissons	29	Nettoyage.....	33
Inversion du sens de l'ouverture de la porte (facultatif)	29	Précautions à prendre pour les vacances et avant un déménagement	34
Fermeture de la porte	30	Dépannage	34
Grille de la base	31	Assistance ou Service	36
Utilisation du Réfrigérateur pour Boissons	31	Aux États-Unis.	36
Sons normaux.....	31	Au Canada	36
Utilisation du contrôle.....	31	Accessoires.....	36
		Garantie Limitée des Appareils de Réfrigération Whirlpool	37

BEVERAGE CENTER SAFETY

Your safety and the safety of others are very important.

We have provided many important safety messages in this manual and on your appliance. Always read and obey all safety messages.



This is the safety alert symbol.

This symbol alerts you to potential hazards that can kill or hurt you and others.

All safety messages will follow the safety alert symbol and either the word “DANGER” or “WARNING”. These words mean:

DANGER

You can be killed or seriously injured if you don't immediately follow instructions.

WARNING

You can be killed or seriously injured if you don't follow instructions.

All safety messages will tell you what the potential hazard is, tell you how to reduce the chance of injury, and tell you what can happen if the instructions are not followed.

IMPORTANT SAFETY INSTRUCTIONS

WARNING: To reduce the risk of fire, electric shock, or injury when using your Beverage Center, follow these basic precautions:

- Plug into a grounded 3 prong outlet.
- Do not remove ground prong.
- Do not use an adapter.
- Do not use an extension cord.
- Disconnect power before servicing.
- Replace all parts and panels before operating.
- Remove doors from your old Beverage Center.
- Use nonflammable cleaner.
- Keep flammable materials and vapors, such as gasoline, away from Beverage Center.
- Use two or more people to move and install Beverage Center.
- State of California Proposition 65 Warnings:
WARNING: This product contains one or more chemicals known to the State of California to cause cancer.
WARNING: This product contains one or more chemicals known to the State of California to cause birth defects or other reproductive harm.

SAVE THESE INSTRUCTIONS

Proper disposal of your old Beverage Center

WARNING

Suffocation Hazard

Remove doors from your old Beverage Center.

Failure to do so can result in death or brain damage.

IMPORTANT: Child entrapment and suffocation are not problems of the past. Junked or abandoned Beverage

Center are still dangerous, even if they will sit for “just a few days”. If you are getting rid of your old Beverage Center, please follow these instructions to help prevent accidents.

Before you throw away your old Beverage Center:

- Take off the doors.
- Leave the shelves in place so that children may not easily climb inside.



Important information to know about disposal of refrigerants:

Dispose of Beverage Center in accordance with Federal and Local regulations. Refrigerants must be evacuated by a licensed, EPA certified refrigerant technician in accordance with established procedures.

INSTALLATION INSTRUCTIONS

Location Requirements

⚠ WARNING



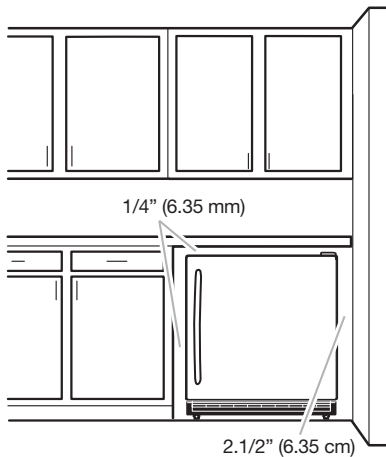
Explosion Hazard

Keep flammable materials and vapors such as gasoline away from Beverage Center.

Failure to do so can result in death, explosion, or fire.

To ensure proper ventilation for your Beverage Center, allow for a 1/4" (6.35 mm) space on each side and at the top. When installing your Beverage Center next to a fixed wall, leave 2.1/2" (6.35 cm) minimum clearance on the hinge side to allow for the door to swing open.

NOTE: It is recommended that you do not install the Beverage Center near an oven, radiator, or other heat source. Do not install in a location where the temperature will fall below 55 °F (13 °C). For best performance, do not block the base grille.

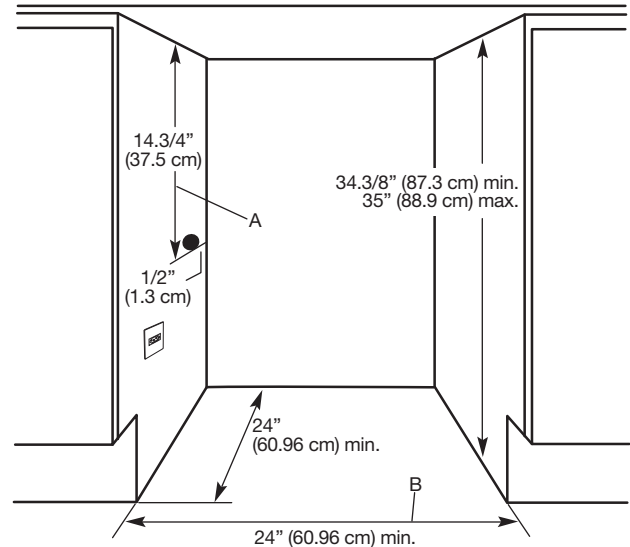


Opening Dimensions

- Height dimensions are shown with the leveling legs extended to the minimum height.

NOTE: When leveling legs are fully extended, add 5/8" (1.6 cm) to the height dimensions.

- If the floor of the opening is not level with the kitchen floor, shim the opening to make it level with the kitchen floor.



Critical dimensions:

- A. 14.3/4" (37.5 cm) utility opening
- B. 24" (60.96 cm) minimum opening width

Electrical Requirements

⚠ WARNING



Electrical Shock Hazard

Plug into a grounded 3 prong outlet

Do not remove ground prong.

Do not use an adapter.

Do not use an extension cord.

Failure to follow these instructions can result in death, fire or electrical shock.

Before you move your Beverage Center into its final location, it is important to make sure you have the proper electrical connection.

Recommended grounding method

A 115 Volt, 60 Hz., AC only, 15- or 20-amp fused, grounded electrical supply is required. It is recommended that a separate circuit serving only your Beverage Center be provided. Use an outlet that cannot be turned off by a switch. Do not use an extension cord.

NOTE: Before performing any type of installation, or cleaning, unplug Beverage Center or disconnect power.

Unpack the Beverage Center

⚠ WARNING

Excessive Weight Hazard

Use two or more people to move and install Beverage Center.

Failure to do so can result in back or other injury.

Remove the Packaging

- Remove tape and glue residue from surfaces before turning on the Beverage Center. Rub a small amount of liquid dish soap over the adhesive with your fingers. Wipe with warm water and dry.
- Do not use sharp instruments, rubbing alcohol, flammable fluids, or abrasive cleaners to remove tape or glue. These products can damage the surface of your Beverage Center. For more information, see "Beverage Center Safety."
- Dispose of/recycle all packaging materials.

When Moving Your Beverage Center

Your Beverage Center is heavy. When moving the Beverage Center for cleaning or service, be sure to cover the floor with cardboard or hardboard to avoid floor damage. Always pull the Beverage Center straight out when moving it. Do not wiggle or "walk" the Beverage Center when trying to move it, as floor damage could occur. Having someone push against the front top of the Beverage Center takes some weight off the front leveling legs. This makes it easier to push the unit on the rear rollers.

Clean Before Using

After you remove all of the package materials, clean the inside of your Beverage Center before using it. See the cleaning instructions in "Beverage Center Care".

Important information to know about glass shelves and covers:

Do not clean glass shelves or covers with warm water when they are cold. Shelves and covers may break if exposed to sudden temperature changes or impact, such as bumping.

Tempered glass is designed to shatter into many small, pebble-size pieces. This is normal. Glass shelves and covers are heavy. Use both hands when removing them to avoid dropping.

Reverse Door Swing (optional)

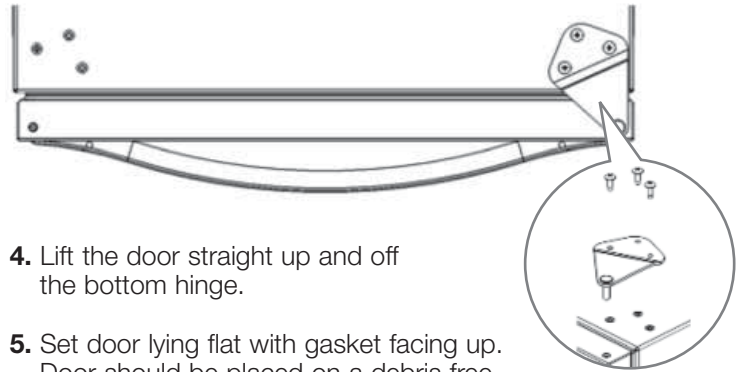
Tools Needed:

Phillips screwdriver and an 8 mm wrench (or 5/16" in wrench).

1. Unplug Beverage Center or disconnect power.
2. Using the screw driver, remove the screws from each side of the top of the Beverage Center cabinet and set aside.

NOTE: There are seven screws total. Do not discard.

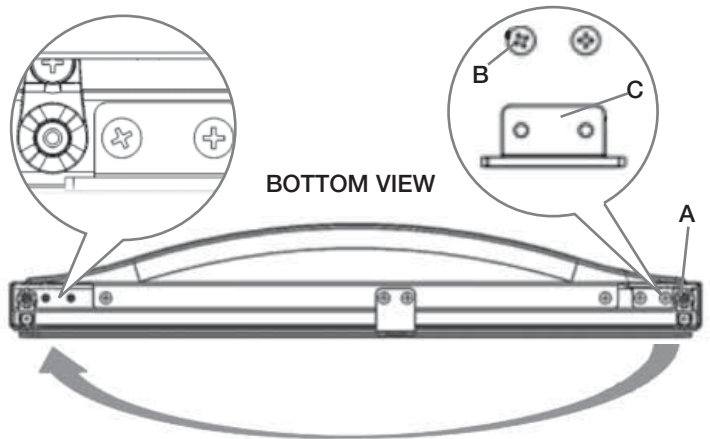
3. Remove the top hinge and set aside.



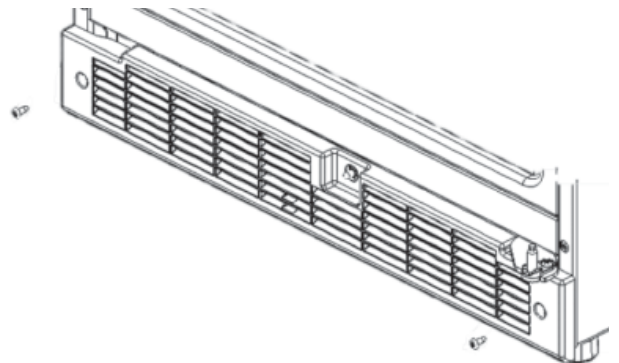
4. Lift the door straight up and off the bottom hinge.

5. Set door lying flat with gasket facing up. Door should be placed on a debris free surface such as cardboard or blanket to avoid scratches.

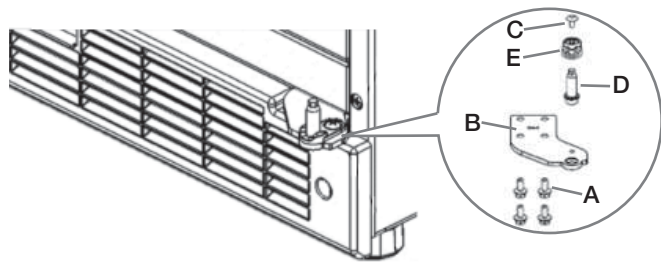
6. Remove the screws (B) fastening the black metal door stopper (C) and re-attach it on the opposite side.



7. Remove the screws from each side of the kickplate and set aside.

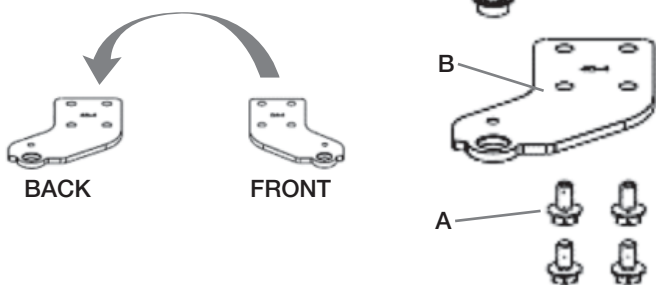


8. Pull out the kickplate and set aside.
9. With the wrench, remove the screws (A) fastening the bottom hinge (B) to the Beverage Center cabinet and set aside. There are four screws total.

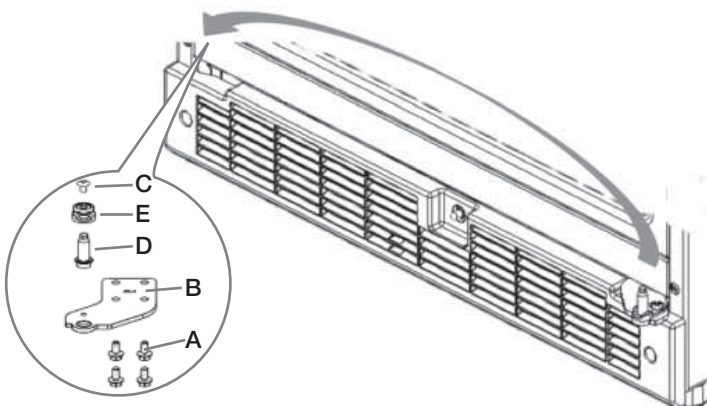


10. Using the screwdriver, remove the screw (C) fastening the plastic hinge door latch (E). Set screw aside. Then, unscrew the bottom hinge shaft (D) and plastic hinge door latch (E) and set aside.

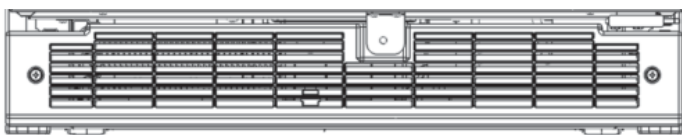
11. Flip over the bottom hinge on the opposite side. As shown in the images below and reverse the process in step 10.



12. Move hinge to the opposite side and completely tighten the screws (four total).

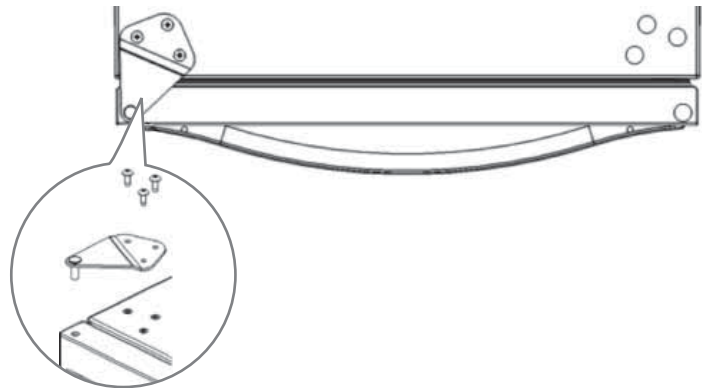


13. Reattach the base grill and tighten with the two screws provided.



14. Place the door straight down and on the bottom hinge.

15. Fasten the top hinge with three silver screws and move the remaining four screws to the opposite side. Completely tighten all seven screws.



Door Closing

Your Beverage Center has two leveling legs. If your Beverage Center seems unsteady or you want the door to close more easily, adjust the Beverage Center's tilt using the instructions below.

⚠ WARNING



Electrical Shock Hazard

Plug into a grounded 3 prong outlet.

Do not remove ground prong.

Do not use an adapter.

Do not use an extension cord.

Failure to follow these instructions can result in death, fire, or electrical shock.

1. Plug into a grounded 3 prong outlet.

⚠ WARNING

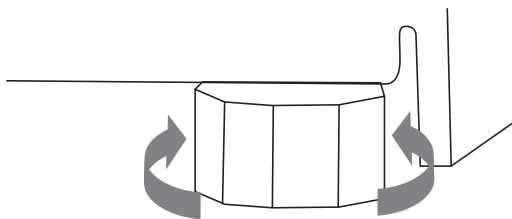
Excessive Weight Hazard

Use two or more people to move and install Beverage Center.

Failure to do so can result in back or other injury.

2. Move the Beverage Center into its final location.
3. Turn the leveling legs to the right to lower the Beverage Center or turn the leveling legs to the left to raise it. It may take several turns of the leveling legs to adjust the tilt of the Beverage Center.

NOTE: Having someone push against the top of the Beverage Center takes some weight off the leveling legs. This makes it easier to adjust the leveling legs.



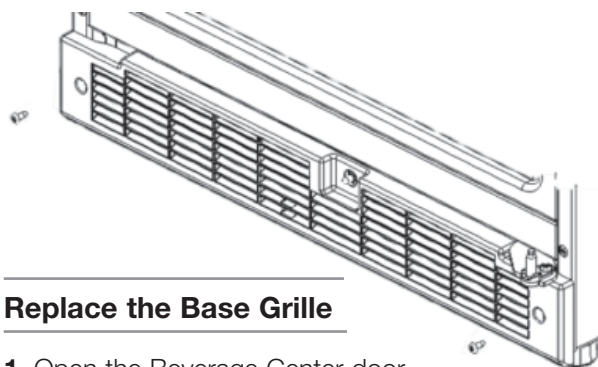
4. Open the door again to make sure that it closes as easily as you like.
If not, tilt the Beverage Center slightly more to the rear by turning both front leveling screws to the left. It may take several more turns, and you should turn both leveling legs the same amount.

Base Grille

Tools Needed: Phillips screwdriver

Remove the Base Grille

1. Open the Beverage Center door.
2. Using the screwdriver, remove the two screws.
3. Remove the base grille.



Replace the Base Grille

1. Open the Beverage Center door.
2. Position the base grille so that screw holes align into place. Replace the two screws. Tighten the screws.

BEVERAGE CENTER USE

Normal Sounds

Your new Beverage Center may make sounds that your old one didn't make. Because the sounds are new to you, you might be concerned about them. Most of the new sounds are normal. Hard surfaces, such as the flooring and surrounding structures, can make the sounds seem louder. The following describes the kinds of sounds and what may be making them.

- Your Beverage Center is designed to run more efficiently to keep your food items at the desired temperatures and to minimize energy usage. The high efficiency compressor and fans may cause your Beverage Center to run longer than your old one. You may also hear a pulsating or high-pitched sound from the compressor or fans adjusting to optimize performance.
- Rattling noises may come from the flow of refrigerant or items stored inside the Beverage Center.
- As each cycle ends, you may hear a gurgling sound due to the refrigerant flowing in your Beverage Center.
- You may hear water running into the drain pan when the Beverage Center is defrosting.
- You may hear clicking sounds when the Beverage Center starts or stops running.

Using the Control

The control panel is located on the middle separator (mullion) of the Beverage Center. The control panel has no mechanical parts or buttons.


Turning Control On/Off

The first time that the Beverage Center is plugged in, the control will be in Off mode.

To turn ON the unit, press  button for 3 seconds.

To turn OFF the unit, press  button for 3 seconds.

Viewing Celsius Temperatures

Press the  touch pad to toggle between displaying the temperature in degrees Fahrenheit and degrees Celsius.

The corresponding indicator will illuminate.



Adjusting the Interior Light

Press  touch pad to toggle between ON and OFF.

Adjusting the Controls

There are three temperature control set points for this model: For your convenience, your control is preset at the default temperature.

- To adjust set point temperatures, press “+” (plus) or “-” (minus) until the desired temperature setting is reached.

NOTES:

- The default recommended temperature for the Beverage Center is 39 °F (4 °C) Upper Compartment and 55 °F (13 °C) for Lower Compartment.
- Wait at least 24 hours between adjustments so the Beverage Center can acclimate.



Beverage Center setting	Upper Compartment	Lower Compartment
Cold	33 °F (1 °C)	42 °F (6 °C)
Medium	39 °F (4 °C)	50 °F (10 °C)
Cool	42 °F (6 °C)	55 °F (13 °C)

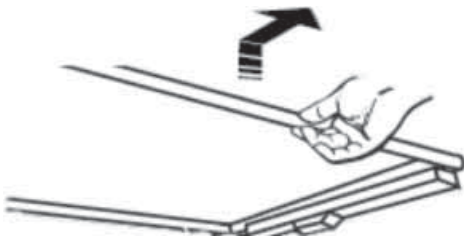
BEVERAGE CENTER FEATURES

Beverage Center Shelves

Your model may have glass or wire shelves. Store similar foods together. This reduces the time the Beverage Center door is open and saves energy.

To Remove and Replace Shelves:

- Remove the shelf by lifting up the front and pulling it out of the shelf slots.
- Replace the shelf by inserting it into the shelf slots and pushing it toward the back of the compartment.



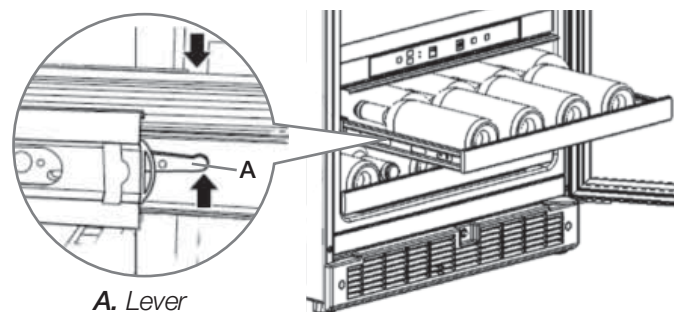
Important information to know about glass shelves and covers:

Do not clean glass shelves or covers with warm water when they are cold. Shelves and covers may break if exposed to sudden temperature changes or impact, such as bumping. Tempered glass is designed to shatter into many small, pebble-size pieces. This is normal. Glass shelves and covers are heavy. Use both hands when removing them to avoid dropping.

Remove and Replace the Wine Racks

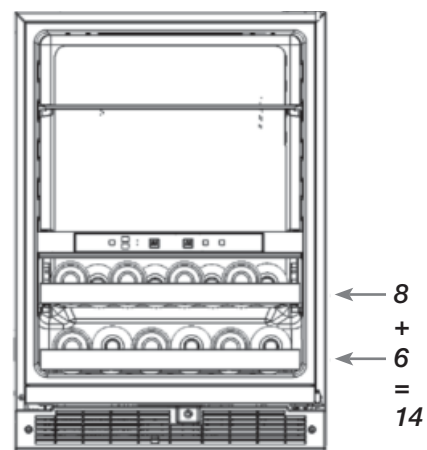
NOTE: When storing large bottles or magnums, remove the rack directly above.

- Pull the rack forward until it stops.
- Lift up on the left-hand lever (A) while pressing down on the right-hand lever to release the rack. Pull the rack forward and lift it up and out of the rack supports.



- Replace the rack by inserting the rack into the supports and sliding it toward the rear of the Beverage Center.

Stocking the Beverage Center



To Stock the Beverage Center:

1. Place juices, sodas or other canned beverages on the glass shelves.

Top Wine Rack:

1. Slide wine rack open.
2. Starting on the left-hand side of the wine rack, place the first bottle with the neck of the bottle facing the front of the Beverage Center.
3. Place the next bottle on the rack with the neck of the bottle facing the back of the Beverage Center. Alternate the direction of the bottles, in this manner, until the rack is full.
4. Slide the wine rack into place.

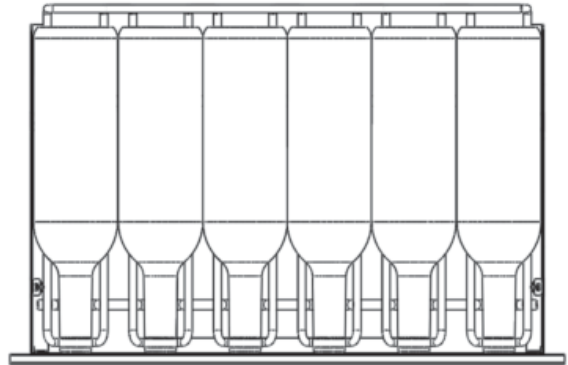


NOTE: The wine rack can be stocked with the bottles facing either direction, however, to optimize storage adjacent bottles should be facing in opposite directions.

Bottom Rack 6 Bottles

Bottom Wine Rack

Starting from left-hand side of the bottom rack, place the first bottle with the neck of the bottle facing the front of the Beverage Center. Continue to place the remaining bottles facing in the same direction.



BEVERAGE CENTER CARE

Cleaning

⚠ WARNING



Explosion Hazard

Use nonflammable cleaner.

Failure to do so can result in death, explosion, or fire.

Clean the Beverage Center about once a month to avoid buildup of odors. Wipe up spills immediately.

To clean your Beverage Center:

1. Unplug Beverage Center or disconnect power.
2. Remove all removable parts from inside, such as shelves, etc.

3. Hand wash, rinse, and dry removable parts and interior surfaces thoroughly. Use a clean sponge or soft cloth and a mild detergent in warm water.

- Do not use abrasive or harsh cleaners such as window sprays, scouring cleansers, flammable fluids, cleaning waxes, concentrated detergents, bleaches or cleansers containing petroleum products on plastic parts, interior and door liners or gaskets. Do not use paper towels, scouring pads, or other harsh cleaning tools. These can scratch or damage materials.

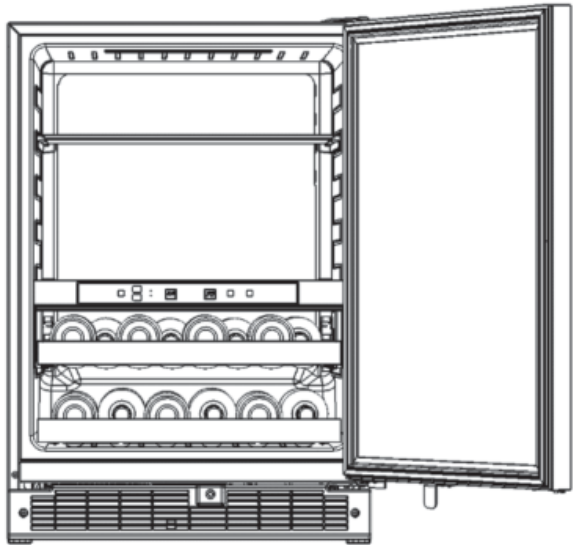
- To help remove odors, you can wash interior walls with a mixture of warm water and baking soda (2 tbs to 1 qt (26 g to 0.95 L) of water).

4. Wash stainless steel and painted metal exteriors with a clean sponge or soft cloth and a mild detergent in warm water. Do not use abrasive or harsh cleaners, or cleaners containing chlorine. These can scratch or damage materials. Dry thoroughly with a soft cloth.

5. Replace the removable parts.

6. Clean the condenser coils regularly. They are located behind the base grille. Coils may need to be cleaned as often as every other month. This may help save energy.

- Remove the base grille. See “Base Grille”.
- Use a vacuum cleaner with an extended attachment to clean the condenser coils when they are dusty or dirty.



- Replace the base grille.
7. Plug in Beverage Center or reconnect power.

Vacation and Moving Care

Vacation

If you choose to turn the Beverage Center off before you leave, follow these steps.

1. Remove all contents from the Beverage Center.
2. Unplug the Beverage Center.
3. Clean the Beverage Center. See “Cleaning”.
4. Tape a rubber or wood block to the top of the door to prop it open far enough for air to get in. This stops odor and mold from building up.

Moving

When you are moving your Beverage Center, follow these steps to prepare it for the move.

1. Remove all contents from the Beverage Center.
2. Unplug the Beverage Center.
3. Clean, wipe, and dry it thoroughly.
4. Take out all removable parts, wrap them well, and tape them together so they don't shift and rattle during the move.
5. Tape the doors shut and tape the power cord to the Beverage Center. When you get to your new home, put everything back and refer to the “Installation Instructions” section for preparation instructions.

TROUBLESHOOTING

Try the solutions suggested here first in order to avoid the cost of an unnecessary service call.

Your Beverage Center will not operate

⚠ WARNING



Electrical Shock Hazard

- Plug into a grounded 3 prong outlet.**
- Do not remove ground prong.**
- Do not use an adapter.**
- Do not use an extension cord.**
- Failure to follow these instructions can result in death, fire, or electrical shock.**

- **Is the power supply cord unplugged?**
Plug into a grounded 3 prong outlet.
- **Has a household fuse blown, or has a circuit breaker tripped?** Replace the fuse or reset the circuit.
- **Is the Beverage Center Control turned to the OFF position?** See “Using the Control”.

The motor seems to run too much

- **Is the temperature outside hotter than normal?**
Expect the motor to run longer under warm conditions. At normal outdoor temperatures, expect your motor to run about 40 % to 80 % of the time. Under warmer conditions, expect it to run even more of the time.
- **Has a large amount of food just been added to the Beverage Center?** Adding a large amount of food warms the Beverage Center. It is normal for the motor to

run longer in order to cool the Beverage Center back down.

- **Is the door opened often?** Expect the motor to run longer when this occurs. In order to conserve energy, try to get everything you need out of the Beverage Center at once, keep food organized so it is easy to find, and close the door as soon as the food is removed.
- **Is the control set correctly for the surrounding conditions?** See “Using the Control”.
- **Is the door closed completely?** Push the door firmly shut. If it will not shut all the way, see “The door will not close completely” later in this section.
- **Are the condenser coils dirty?** This obstructs air transfer and makes the motor work harder. Clean the condenser coils. See “Cleaning”.

Temperature is too warm

- **Is the door opened often?** Be aware that the Beverage Center will warm when this occurs. In order to keep the Beverage Center cool, try to get everything you need out of the Beverage Center at once, keep food organized so it is easy to find, and close the door as soon as the food is removed.
- **Has a large amount of food just been added to the Beverage Center?** Adding a large amount of food warms the Beverage Center. It can take several hours for the Beverage Center to return to the normal temperature.
- **Is the control set correctly for the surrounding conditions?** See “Using the Control”.
- **Is the base grille blocked?** For best performance, do not install the Beverage Center behind a cabinet door or block the base grille.

The door is difficult to open

⚠ WARNING



Explosion Hazard

Use nonflammable cleaner.

Failure to do so can result in death, explosion, or fire.

- **Is the gasket dirty or sticky?** Clean the gasket and the surface that it touches. Rub a thin coat of paraffin wax on the gasket following cleaning.

The door will not close completely

- **Are food packages blocking the door open?** Rearrange containers so that they fit more tightly and take up less space.
- **Are the shelves out of position?** Put the shelves back into their correct positions. See “Beverage Center Use” for more information.

⚠ WARNING



Explosion Hazard

Use nonflammable cleaner.

Failure to do so can result in death, explosion, or fire.

- **Is the gasket sticking?** Clean the gasket and the surface that it touches. Rub a thin coat of paraffin wax on the gasket following cleaning.

There is interior moisture buildup

- **Is the door opened often?** To avoid humidity buildup, try to get everything you need out of the Beverage Center at once, keep food organized so it is easy to find, and close the door as soon as the food is removed. When the door is opened, humidity from the room air enters the Beverage Center. The more often the door is opened, the faster humidity builds up, especially when the room itself is very humid.
- **Is it humid?** It is normal for moisture to build up inside the Beverage Center when the air is humid.
- **Is the food packaged correctly?** Check that all food is securely wrapped. Wipe off damp food containers before placing in the Beverage Center.
- **Is the control set correctly for the surrounding conditions?** See “Using the Control”.

ASSISTANCE OR SERVICE

Before calling for assistance or service, please check "Troubleshooting." It may save you the cost of a service call. If you still need help, follow the instructions below. When calling, please know the purchase date and the complete model and serial number of your appliance. This information will help us to better respond to your request.

If You Need Replacement Parts

If you need to order replacement parts, we recommend that you only use factory specified replacement parts. Factory specified replacement parts will fit right and work right because they are made with the same precision used to build every new Whirlpool® appliance.

To locate factory specified replacement parts in your area, call us or your nearest designated service center.

In the U.S.A.

Call the Whirlpool Customer eXperience Center toll free: **1-800-253-1301**.

Our Consultants Provide Assistance With:

- Features and specifications on our full line of appliances.
- Installation information.
- Use and maintenance procedures.
- Accessory and repair parts sales.
- Specialized customer assistance (Spanish speaking, hearing impaired, limited vision, etc.).
- Referrals to local dealers, repair parts distributors, and service companies. Whirlpool designated service technicians are trained to fulfill the product warranty and provide after warranty service, anywhere in the United States. To locate the Whirlpool designated service company in your area, you can also look in your telephone directory Yellow Pages.

For Further Assistance

If you need further assistance, you can write to Whirlpool with any questions or concerns at:

Whirlpool Brand Home Appliances
Customer eXperience Center
553 Benson Road
Benton Harbor, MI 49022-2692

Please include a daytime phone number in your correspondence.

In Canada

Call the Whirlpool Canada Customer eXperience Center toll free: **1-800-807-6777**
or visit our website at **www.whirlpool.ca**.

Our Consultants Provide Assistance With:

- Features and specifications on our full line of appliances.
- Use and maintenance procedures.
- Accessory and repair parts sales.
- Scheduling of Service. Whirlpool designated service technicians are trained to fulfill the product warranty and provide after-warranty service, anywhere in Canada.

For Further Assistance

If you need further assistance, you can write to Whirlpool Canada with any questions or concerns at:

Whirlpool Brand Home Appliances
Customer eXperience Centre
200 - 6750 Century Ave.
Mississauga, Ontario L5N 0B7

Please include a daytime phone number in your correspondence.

Accessories

The following accessory is available for your Beverage Center.

To order accessory, contact us and ask for the part number.

In the U.S.A., visit our webpage **www.whirlpool.com/accessories** or call **1-800-253-1301**.

In Canada, visit our webpage **www.whirlpoolparts.ca** or call **1-800-807-6777**.

Stainless Steel Cleaner & Polish

Order Part #4396095

WHIRLPOOL® REFRIGERATION LIMITED WARRANTY

ATTACH YOUR RECEIPT HERE. PROOF OF PURCHASE IS REQUIRED TO OBTAIN WARRANTY SERVICE.
Please have the following information available when you call the Customer eXperience Center:

- Name, address and telephone number
- Model number and serial number
- A clear, detailed description of the problem
- Proof of purchase including dealer or retailer name and address



IF YOU NEED SERVICE:

1. Before contacting us to arrange service, please determine whether your product requires repair. Some questions can be addressed without service. Please take a few minutes to review the Troubleshooting or Problem Solver section of the Use and Care Guide, scan the QR code on the right to access additional resources, or visit www.whirlpool.com/product_help.
2. All warranty service is provided exclusively by our authorized Whirlpool Service Providers. In the U.S. and Canada, direct all requests for warranty service to: **Whirlpool Customer eXperience Center. In the U.S.A., call 1-800-253-1301. In Canada, call 1-800-807-6777.** If outside the 50 United States or Canada, contact your authorized Whirlpool dealer to determine whether another warranty applies. www.whirlpool.com/product_help

LIMITED WARRANTY

For one year from the date of purchase, when this major appliance is installed, operated and maintained according to instructions attached to or furnished with the product, Whirlpool Corporation or Whirlpool Canada LP (hereafter "Whirlpool") will pay for Factory Specified Replacement Parts and repair labor to correct defects in materials or workmanship that existed when this major appliance was purchased, or at its sole discretion replace the product. In the event of product replacement, your appliance will be warranted for the remaining term of the original unit's warranty period.

SECOND THROUGH FIFTH YEAR LIMITED WARRANTY ON CAVITY LINER AND SEALED REFRIGERATION SYSTEM

In the second through fifth years from the date of purchase, when this major appliance is installed, operated and maintained according to the instructions attached to or furnished with the product, Whirlpool brand will pay for factory specified replacement parts and repair labor for the following components to correct non-cosmetic defects in materials and workmanship in this part that prevent function of the Beverage Center and that existed when this major appliance was purchased:

- Beverage Center/freezer cavity liner if the part cracks due to defective materials or workmanship.
- Sealed Refrigeration system (includes compressor, evaporator, condenser, dryer and connecting tubing).

YOUR SOLE AND EXCLUSIVE REMEDY UNDER THIS LIMITED WARRANTY SHALL BE PRODUCT REPAIR AS PROVIDED HEREIN. Service must be provided by a Whirlpool designated service company. This limited warranty is valid only in the United States or Canada and applies only when the major appliance is used in the country in which it was purchased. This limited warranty is effective from the date of original consumer purchase. Proof of original purchase date is required to obtain service under this limited warranty.

ITEMS EXCLUDED FROM WARRANTY

1. Commercial, non-residential, multiple-family use, or use inconsistent with published user, operator or installation instructions.
2. In-home instruction on how to use your product.
3. Service to correct improper product maintenance or installation, installation not in accordance with electrical or plumbing codes or correction of household electrical or plumbing (i.e. house wiring, fuses or water inlet hoses).
4. Consumable parts (i.e. light bulbs, batteries, air or water filters, preservation solutions, etc.).
5. Defects or damage caused by the use of non-genuine Whirlpool parts or accessories.
6. Conversion of products from natural gas or L.P. gas.

7. Damage from accident, misuse, abuse, fire, floods, acts of God or use with products not approved by Whirlpool.
8. Repairs to parts or systems to correct product damage or defects caused by unauthorized service, alteration or modification of the appliance.
9. Cosmetic damage including scratches, dents, chips, and other damage to the appliance finishes unless such damage results from defects in materials and workmanship and is reported to Whirlpool within 30 days.
10. Discoloration, rust or oxidation of surfaces resulting from caustic or corrosive environments including but not limited to high salt concentrations, high moisture or humidity or exposure to chemicals.
11. Food or medicine loss due to product failure.
12. Pick-up or delivery. This product is intended for in-home repair.
13. Travel or transportation expenses for service in remote locations where an authorized Whirlpool servicer is not available.
14. Removal or reinstallation of inaccessible appliances or built-in fixtures (i.e. trim, decorative panels, flooring, cabinetry, islands, countertops, drywall, etc.) that interfere with servicing, removal or replacement of the product.
15. Service or parts for appliances with original model/serial numbers removed, altered or not easily determined. The cost of repair or replacement under these excluded circumstances shall be borne by the customer.

The cost of repair or replacement under these excluded circumstances shall be borne by the customer.

DISCLAIMER OF IMPLIED WARRANTIES

IMPLIED WARRANTIES, INCLUDING ANY IMPLIED WARRANTY OF MERCHANTABILITY OR IMPLIED WARRANTY OF FITNESS FOR A PARTICULAR PURPOSE, ARE LIMITED TO ONE YEAR OR THE SHORTEST PERIOD ALLOWED BY LAW. Some states and provinces do not allow limitations on the duration of implied warranties of merchantability or fitness, so this limitation may not apply to you. This warranty gives you specific legal rights, and you also may have other rights that vary from state to state or province to province.

DISCLAIMER OF REPRESENTATIONS OUTSIDE OF WARRANTY

Whirlpool makes no representations about the quality, durability, or need for service or repair of this major appliance other than the representations contained in this warranty. If you want a longer or more comprehensive warranty than the limited warranty that comes with this major appliance, you should ask Whirlpool or your retailer about buying an extended warranty.

LIMITATION OF REMEDIES; EXCLUSION OF INCIDENTAL AND CONSEQUENTIAL DAMAGES

YOUR SOLE AND EXCLUSIVE REMEDY UNDER THIS LIMITED WARRANTY SHALL BE PRODUCT REPAIR AS PROVIDED HEREIN. WHIRLPOOL SHALL NOT BE LIABLE FOR INCIDENTAL OR CONSEQUENTIAL DAMAGES. Some states and provinces do not allow the exclusion or limitation of incidental or consequential damages, so these limitations and exclusions may not apply to you. This warranty gives you specific legal rights, and you also may have other rights that vary from state to state or province to province.

Keep this book and your sales slip together for future reference. You must provide proof of purchase or installation date for in-warranty service.

Write down the following information about your major appliance to better help you obtain assistance or service if you ever need it.

You will need to know your complete model number and serial number. You can find this information on the model and serial number label located on the product.

Dealer name _____

Address _____

Phone number _____

Model number _____

Serial number _____

Purchase date _____

SEGURIDAD DEL REFRIGERADOR PARA BEBIDAS

Su seguridad y la seguridad de los demás es muy importante.

Hemos incluido muchos mensajes importantes de seguridad en este manual y en su electrodoméstico. Lea y obedezca siempre todos los mensajes de seguridad.



Este es el símbolo de advertencia de seguridad.

Este símbolo le llama la atención sobre peligros potenciales que pueden ocasionar la muerte o una lesión a usted y a los demás. Todos los mensajes de seguridad irán a continuación del símbolo de advertencia de seguridad y de la palabra "PELIGRO" o "ADVERTENCIA". Estas palabras significan:

⚠ PELIGRO

Si no sigue las instrucciones de inmediato, usted puede morir o sufrir una lesión grave.

⚠ ADVERTENCIA

Si no sigue las instrucciones, usted puede morir o sufrir una lesión grave.

Todos los mensajes de seguridad le dirán el peligro potencial, le dirán cómo reducir las posibilidades de sufrir una lesión y lo que puede suceder si no se siguen las instrucciones.

INSTRUCCIONES IMPORTANTES DE SEGURIDAD

ADVERTENCIA: Para reducir el riesgo de incendio, choque eléctrico, o lesiones personales al usar su Refrigerador para Bebidas, siga estas precauciones básicas:

- Conecte a un contacto de pared de conexión a tierra de 3 terminales.
- No quite la terminal de conexión a tierra.
- No use un adaptador.
- No use un cable eléctrico de extensión.
- Desconecte el suministro de energía antes de darle servicio.
- Vuelva a colocar todos los componentes y paneles antes de hacerlo funcionar.
- Remueva la puerta o el(los) cajón(cajones) de su aparato refrigerado viejo.
- Use un limpiador no inflamable.
- Mantenga los materiales y vapores inflamables, tales como gasolina, alejados del Refrigerador para Bebidas.
- Use dos o más personas para mover e instalar el Refrigerador para Bebidas.
- Advertencias de la Proposición 65 del estado de California:
ADVERTENCIA: Este producto contiene una o más sustancias químicas identificadas por el estado de California como causantes de cáncer.
ADVERTENCIA: Este producto contiene una o más sustancias químicas identificadas por el estado de California como causantes de defectos congénitos o algún otro tipo de daños en la función reproductora.

CONSERVAR ESTAS INSTRUCCIONES

Cómo deshacerse adecuadamente de su aparato refrigerado viejo

⚠ ADVERTENCIA

Peligro de Asfixia

Remueva la puerta o el(los) cajón(cajones) de su aparato refrigerado viejo.

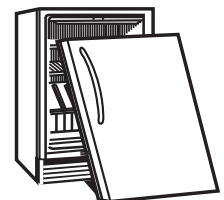
No seguir esta instrucción puede ocasionar la muerte o daño al cerebro.

IMPORTANTE: El atrapamiento y asfixia de niños no es un problema del pasado. Los refrigeradores para bebidas

tirados y abandonados son un peligro, aún si van a quedar ahí "por unos pocos días". Si Ud. está por deshacerse de su Refrigerador para Bebidas viejo, por favor siga las instrucciones que se dan a continuación para prevenir accidentes.

Antes de descartar su viejo aparato refrigerado:

- Saque la puerta.
- Deje las rejillas y los estantes en su lugar así los niños no pueden meterse adentro con facilidad.



Información importante para saber acerca del desecho de refrigerantes:

Deshágase del refrigerador siguiendo los reglamentos federales y locales. los refrigerantes deberán ser evacuados por un técnico certificado en refrigeración por EPA (Agencia de protección del medioambiente) según los procedimientos establecidos.

INSTRUCCIONES DE INSTALACIÓN

Requisitos de Ubicación

⚠ ADVERTENCIA



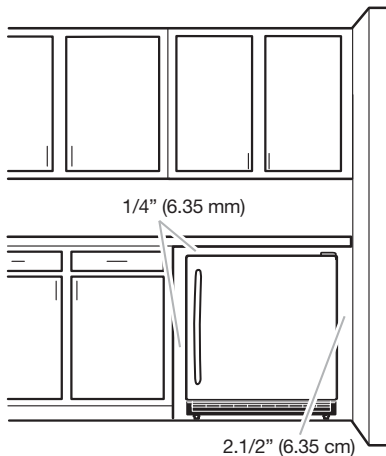
Peligro de Explosión

Mantenga los materiales y vapores inflamables, tales como gasolina, alejados del Refrigerador para Bebidas.

No seguir esta instrucción puede ocasionar la muerte, explosión, o incendio.

Para asegurarse la ventilación adecuada del Refrigerador para Bebidas, deje un espacio de 1/4" (6,35 mm) a cada lado y por encima. Si Ud. instala el refrigerador próximo a una pared fija, deje como mínimo 2.1/2" (6,35 cm) del lado de la bisagra para permitir que la puerta abra bien.

NOTA: No se recomienda instalar el Refrigerador para Bebidas cerca de un horno, radiador u otra fuente de calor. No la instale en un lugar donde la temperatura puede ser menor de 55 °F (13 °C). Para obtener un óptimo funcionamiento, no instale el Refrigerador para Bebidas detrás de la puerta de un armario ni bloquee la rejilla de la base.

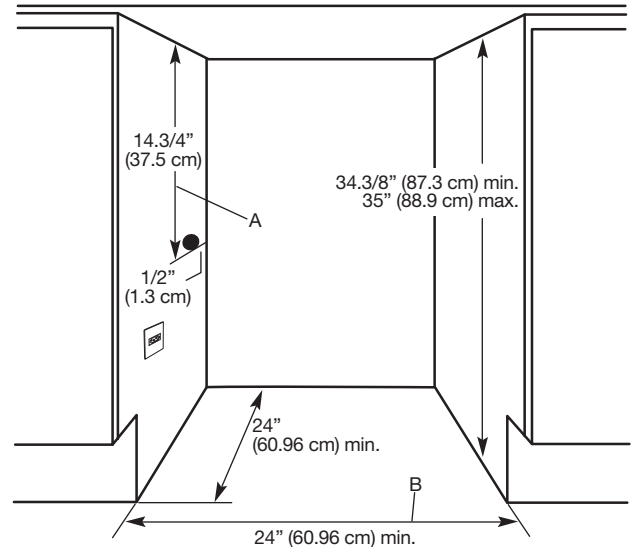


Medidas de la abertura

- Las medidas de altura indicadas consideran las patas niveladoras extendidas a una altura mínima.

NOTA: Si las patas niveladoras están totalmente extendidas, agregue 5/8" (15,9 mm) a las medidas de altura.

- Si el piso de la abertura no está nivelado con el piso de la cocina, ponga calzas en la abertura para que quede nivelado con el piso de la cocina.



Dimensiones fundamentales:

A. Abertura de uso general de 14.3/4" (37,5 cm)

B. Ancho mínimo de la abertura de 24" (60,96 cm)

Requisitos eléctricos

⚠ ADVERTENCIA



Peligro de Choque Eléctrico

Conecte a un contacto de pared de conexión a tierra de 3 terminales.

No quite la terminal de conexión a tierra.

No use un adaptador.

No use un cable eléctrico de extensión.

No seguir estas instrucciones puede ocasionar la muerte, incendio o choque eléctrico.

Antes de mover el Refrigerador para Bebidas a su ubicación final, es importante asegurarse de que tiene la conexión eléctrica adecuada.

Método de conexión a tierra recomendado

Se requiere una fuente de energía eléctrica de 115 Voltios, 60 Hz., CA solamente y con fusibles de 15 ó 20 amperios, conectada a tierra. Se recomienda que use un circuito separado sólo para su Refrigerador para Bebidas. Use un tomacorriente que no se pueda apagar con un interruptor. No use un cable eléctrico de extensión.

NOTA: Antes de realizar cualquier tipo de instalación, limpieza o de quitar un foco de luz, desenchufe el Refrigerador para Bebidas o desconecte el suministro de energía.

Desempaque el Refrigerador para Bebidas

⚠ ADVERTENCIA

Peligro de Peso Excesivo

Use dos o más personas para mover e instalar el Refrigerador para Bebidas.

No seguir esta instrucción puede ocasionar una lesión en la espalda u otro tipo de lesiones.

Cómo Quitar los Materiales de Empaque

- Quite los residuos de cinta y goma de las superficies antes de encender el Refrigerador para Bebidas. Frote un poco de detergente líquido para vajillas sobre el adhesivo con los dedos. Limpie con agua tibia y seque.
- No use instrumentos filosos, alcohol para fricciones, líquidos inflamables o productos de limpieza abrasivos para eliminar los restos de cinta o goma. Estos productos pueden dañar la superficie de su Refrigerador para Bebidas. Para obtener más información, vea “Seguridad del Refrigerador para Bebidas”.
- Deshágase de todos los materiales de embalaje o recíclelos.

Cuando Mueva su Refrigerador para Bebidas:

Su Refrigerador para Bebidas es muy pesado. Cuando mueva el electrodoméstico para limpiarlo y darle servicio, cerciórese de cubrir el piso con cartón o madera para evitar daños en el mismo. Al mover el electrodoméstico, siempre tire directamente hacia afuera. No menee el electrodoméstico de lado a lado ni lo haga “caminar” cuando lo trate de mover ya que podría dañar el piso.

Limpieza Antes del Uso

Una vez que usted haya quitado todos los materiales de empaque, limpie el interior de su Refrigerador para Bebidas antes de usarlo. Vea las instrucciones de limpieza en “Cuidado del Refrigerador para Bebidas”.

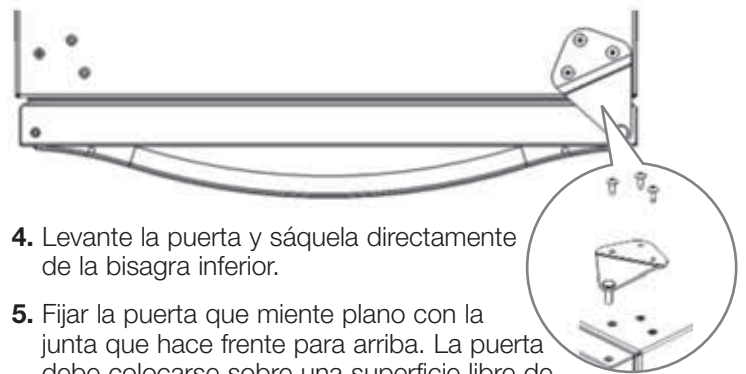
Información importante para saber acerca de los estantes y tapas de vidrio:

No limpie los estantes y tapas de vidrio con agua caliente mientras están fríos. Los estantes y tapas pueden romperse si se exponen a cambios bruscos de temperatura o impacto, como sería un golpe brusco. El vidrio templado se ha diseñado para hacerse añicos. Esto es normal. Los estantes y tapas de vidrio son muy pesados. Use ambas manos al sacarlos para evitar que se caigan.

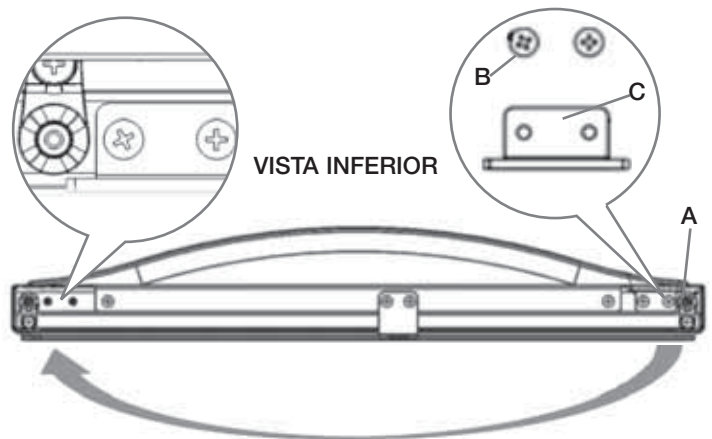
Cambio del Sentido de Apertura de la Puerta (opcional)

Herramientas Necesarias: Destornillador Phillips y una llave de 8 mm (o 5/16” en la llave).

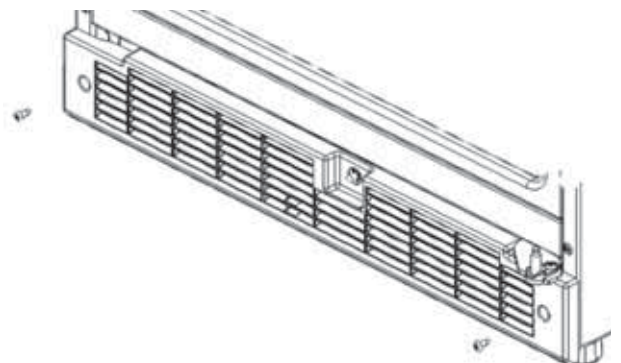
1. Desenchufe el Refrigerador para Bebidas o desconecte el suministro de energía.
 2. Quite los tornillos de cada lado de la parte superior de la carcasa del Refrigerador para Bebidas y póngalos a un lado.
- NOTA:** Hay siete tornillos en total. No los descarte.
3. Quite la cubierta y la arandela de la bisagra y déjelas a un lado.



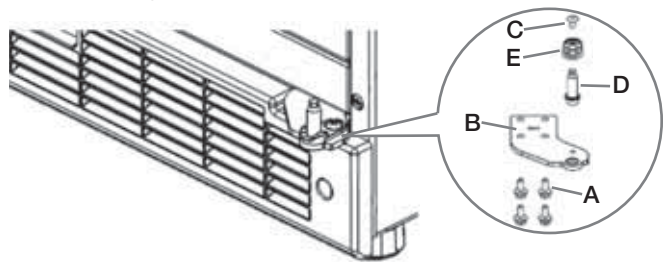
4. Levante la puerta y sáquela directamente de la bisagra inferior.
5. Fijar la puerta que miente plano con la junta que hace frente para arriba. La puerta debe colocarse sobre una superficie libre de desechos como cartón o manta para evitar rasguños.
6. Retire los tornillos (B) que aceleran el tope metálico negro de la puerta (C) y vuelva a colocarlo en el lado opuesto.



7. Quite los tornillos de cada lado de la placa de apoyo y reserve.

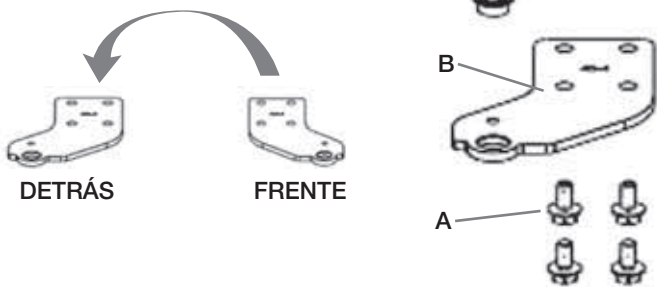


- Tire de la placa de apoyo y dejar a un lado.
- Con la llave, retire los tornillos (A) acelerando la bisagra inferior (B) al armario del Refrigerador para Bebidas y reserve. Hay cuatro tornillos en total.

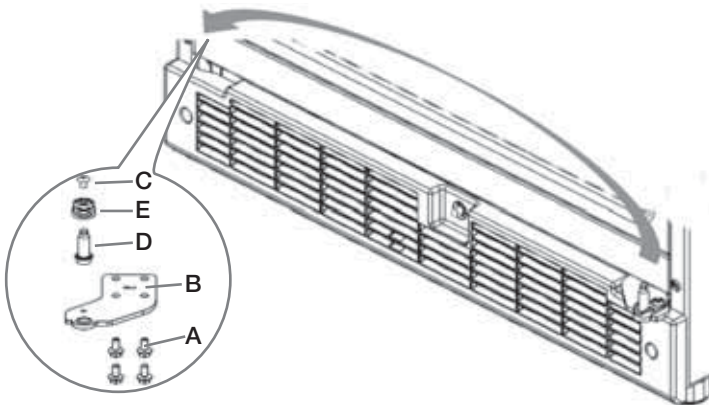


- Utilice el destornillador, quite el tornillo (C) que fija el pestillo de la puerta de la bisagra de plástico (E). Afloje el tornillo. Luego, desenrosque el eje de la bisagra inferior (D) y el pestillo de la puerta de la bisagra de plástico (E) y déjelo a un lado.

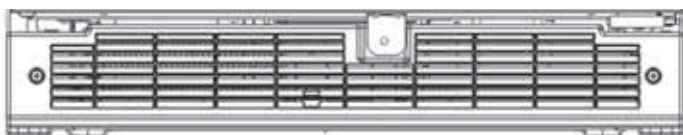
- Voltear sobre la bisagra inferior en el lado opuesto. Como se muestra en las imágenes a continuación e invertir el proceso en el paso 10.



- Mueva la bisagra al lado opuesto y apriete completamente los tornillos (cuatro en total).

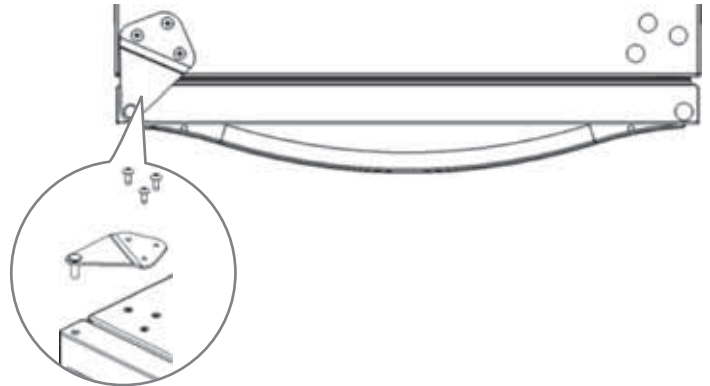


- Vuelva a colocar la parrilla de la base y apriete con los dos tornillos suministrados.



- Coloque la puerta hacia abajo y en la bisagra inferior.

- Fije la bisagra superior con tres tornillos de plata y mueva los cuatro tornillos restantes al lado opuesto. Apriete completamente los siete tornillos.



Cierre de la Puerta

Su Refrigerador para Bebidas tiene dos patas niveladoras. Si su Refrigerador para Bebidas parece inestable o usted quiere que las puertas se cierren con mayor facilidad, ajuste la inclinación del Refrigerador para Bebidas usando las instrucciones siguientes.

⚠ ADVERTENCIA



Peligro de Choque Eléctrico

Conecte a un contacto de pared de conexión a tierra de 3 terminales.

No quite el terminal de conexión a tierra.

No use un adaptador.

No use un cable eléctrico de extensión.

No seguir estas instrucciones puede ocasionar la muerte, incendio o choque eléctrico.

- Conecte a un contacto de pared de conexión a tierra de 3 terminales.

⚠ ADVERTENCIA

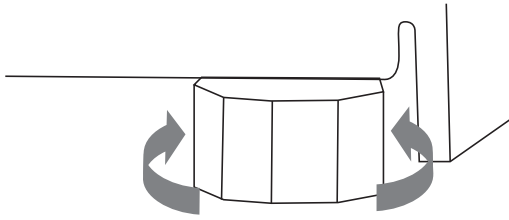
Peligro de Peso Excesivo

Use dos o más personas para mover e instalar el Refrigerador para Bebidas.

No seguir esta instrucción puede ocasionar una lesión en la espalda u otro tipo de lesiones.

- Mueva el Refrigerador para Bebidas hacia su posición final.
- Gire las patas niveladoras hacia la derecha para bajar el Refrigerador para Bebidas o gírelas hacia la izquierda para levantarlo. Puede precisar darle varias vueltas a las patas niveladoras para ajustar la inclinación del Refrigerador para Bebidas.

NOTA: Para quitar un poco de peso de las patas niveladoras, haga que alguien empuje la parte superior del Refrigerador para Bebidas. Esto facilita el ajuste de las patas niveladoras.



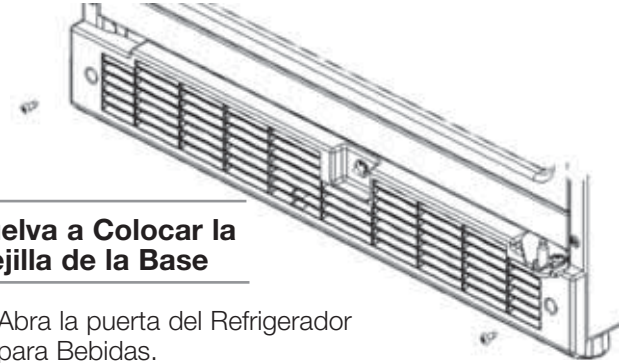
4. Verifique para asegurarse de que se cierra con la facilidad que usted desea. De lo contrario, incline el Refrigerador para Bebidas ligeramente más hacia la parte posterior, girando ambos tornillos reguladores frontales hacia la derecha. Puede tomar varias vueltas más, y usted deberá girar ambas patas niveladoras la misma cantidad de veces.

Rejilla de la Base

Herramientas Necesarias: Destornillador Phillips

Quite la Rejilla de la Base

1. Abra la puerta del Refrigerador para Bebidas.
2. Con el destornillador, retire los dos tornillos.
3. Quite la rejilla de la base.



Vuelva a Colocar la Rejilla de la Base

1. Abra la puerta del Refrigerador para Bebidas.
2. Coloque la rejilla de la base de manera que ambas lengüetas estén alineadas y la rejilla de la base encaje en su lugar. Vuelva a colocar los dos tornillos. Apriete los tornillos.

USO DEL REFRIGERADOR PARA BEBIDAS

Sonidos Normales

Su nuevo Refrigerador para Bebidas puede hacer ruidos que su viejo Refrigerador para Bebidas no hacía. Como estos sonidos son nuevos para Ud., puede ser que se preocupe. La mayoría de los sonidos nuevos son normales. Las superficies duras tales como el piso y las estructuras circundantes pueden hacer que los sonidos parezcan más fuertes. A continuación se describen los tipos de sonidos y qué puede causarlos.

- Su Refrigerador para Bebidas está diseñado para funcionar con más eficiencia para conservar sus alimentos a la temperatura deseada y para reducir al mínimo el uso de energía. El compresor y los ventiladores de alta eficiencia pueden causar que su nuevo Refrigerador para Bebidas funcione por períodos de tiempo más largos que su Refrigerador para Bebidas viejo. También puede escuchar un sonido pulsante o agudo del compresor o los ventiladores que se ajustan para un funcionamiento óptimo.
- Las vibraciones pueden producirse por el flujo de líquido refrigerante o artículos guardados dentro del Refrigerador para Bebidas.
- Al final de cada ciclo, Ud. puede escuchar un gorgoteo debido al flujo de líquido refrigerante en su Refrigerador para Bebidas.
- Ud. puede escuchar agua corriendo hacia la bandeja recolectora cuando el Refrigerador para Bebidas se está descongelando.
- Es posible que escuche sonidos de chasquido cuando el Refrigerador para Bebidas comienza o deja de funcionar.


Uso del Control

El panel de control está situado en el separador central (mullion) del Refrigerador para Bebidas. El panel de control no tiene piezas mecánicas ni botones.


Activar / Desactivar el Control

La primera vez que el refrigerador esté enchufado, el control estará en modo desactivado.

Para **Activar** la unidad, presione el botón  durante 3 segundos.

Para **Desactivar** la unidad, presione el botón  durante 3 segundos.

Visualización de Temperaturas Celsius

Pulse la tecla  para cambiar entre la visualización de la temperatura en grados Fahrenheit y grados Celsius. El indicador correspondiente se iluminará.



Ajuste de la Luz Interior

Presione la tecla  táctil para alternar entre **Activar** y **desactivar**.

Ajustar los controles

Hay tres puntos de ajuste de control de temperatura para este modelo: Para su conveniencia, su control es preajustado a la temperatura predeterminada.

- Para ajustar las temperaturas del punto de ajuste, presione “+” (más) o “-” (menos) hasta que se alcance el ajuste de temperatura deseado.

NOTAS:

- La temperatura recomendada por defecto para la bebida es 39 °F (4 °C) para el Compartimiento Superior y 55 °F (13 °C) para el Compartimiento inferior.
- Espere al menos 24 horas entre los ajustes para El Refrigerador para Bebidas puede aclimatarse.



Ajuste del Refrigerador para Bebidas	Compartimiento superior	Compartimiento inferior
Frío	33 °F (1 °C)	42 °F (6 °C)
Medio	39 °F (4 °C)	50 °F (10 °C)
Fresco	42 °F (6 °C)	55 °F (13 °C)

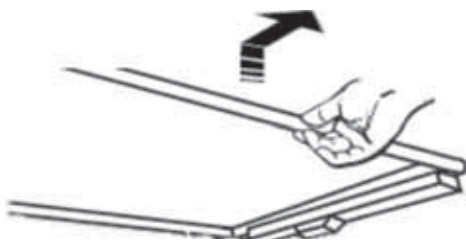
CARACTERÍSTICAS DEL REFRIGERADOR PARA BEBIDAS

Estantes del Refrigerador para Bebidas

Su modelo podrá tener estantes de vidrio o de alambre. Guarde los alimentos similares juntos. Esto reduce el tiempo que la puerta del Refrigerador para Bebidas está abierta a la vez que ahorra energía.

Para Quitar y Volver a Colocar los Estantes:

1. Quite el estante levantando el frente y jalándolo fuera de las ranuras.
2. Vuelva a colocar el estante insertándolo en las ranuras del mismo y empujándolo hacia la parte posterior del compartimento.



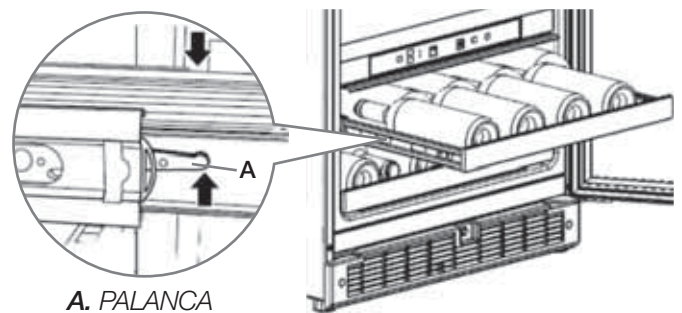
Información importante para saber acerca de los estantes y tapas de vidrio:

No limpie los estantes y tapas de vidrio con agua caliente mientras están fríos. Los estantes y tapas pueden romperse si se exponen a cambios bruscos de temperatura o impacto, como sería un golpe brusco. El vidrio templado se ha diseñado para hacerse añicos. Esto es normal. Los estantes y tapas de vidrio son muy pesados. Use ambas manos al sacarlos para evitar que se caigan.

Cómo Quitar y Volver a Colocar los Portabotellas

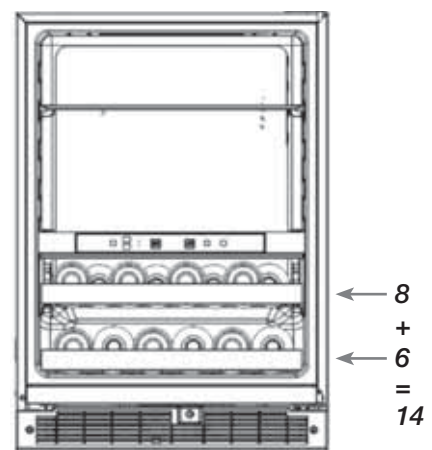
NOTA: Cuando almacene botellas grandes o de tamaño 'mágnium', retire el estante inmediatamente superior.

1. Jale el portabotellas hacia adelante hasta que se detenga.
2. Levante la palanca de la izquierda (A) mientras ejerce presión sobre la palanca de la derecha para liberar el portabotellas. Jale el portabotellas hacia adelante y levántelo para sacarlo de los soportes del portabotellas.



3. Vuelva a colocar el portabotellas insertándolo en los soportes y deslizando hacia la parte trasera del Refrigerador para Bebidas.

Cómo Almacenar en el Refrigerador para Bebidas



Cómo Almacenar en el Refrigerador para Bebidas:

1. Coloque los jugos, sodas u otras bebidas envasadas sobre los estantes de vidrio.

Arandela de Vino Superior:

1. Deslice la rejilla del vino abierta.
2. Empezando por el lado izquierdo de la rejilla, coloque el primera botella con el cuello de la botella mirando hacia delante el Refrigerador para Bebidas.
3. Coloque la siguiente botella en el estante con el cuello botella hacia la parte trasera del Refrigerador para Bebidas. Alternar la dirección de las botellas, de esta manera, hasta el bastidor está lleno.
4. Deslice la rejilla del vino en su lugar.

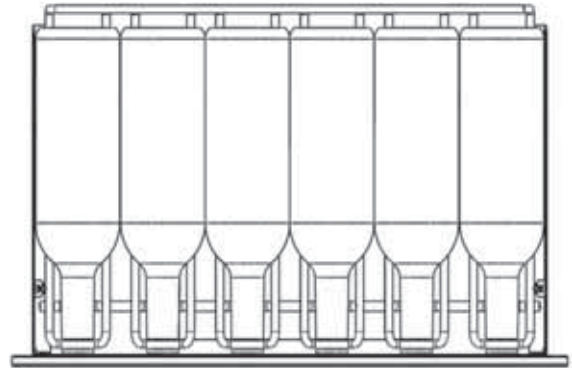


NOTE: Las botellas pueden colocarse en los portabotellas mirando hacia cualquier dirección. Sin embargo, para aprovechar el espacio al máximo, las botellas adyacentes deberían mirar en direcciones opuestas.

Bastidor 6 Botellas

Estante de Vino Inferior

Comenzando desde el lado izquierdo del bastidor inferior, coloque primera botella con el cuello de la botella mirando hacia Refrigerador para Bebidas. Continúa colocando las botellas restantes mirando en la misma dirección.



CUIDADO DEL REFRIGERADOR PARA BEBIDAS

Limpieza

⚠ ADVERTENCIA



Peligro de Explosión

Use un limpiador no inflamable.

No seguir esta instrucción puede ocasionar la muerte, explosión o incendio.

Limpie el Refrigerador para Bebidas más o menos una vez al mes para evitar la acumulación de olores. Limpie los derrames de inmediato.

Para limpiar su Refrigerador para Bebidas:

1. Desenchufe el Refrigerador para Bebidas o desconecte el suministro de energía.
2. Quite todas las partes desmontables del interior, tales como estantes, etc.

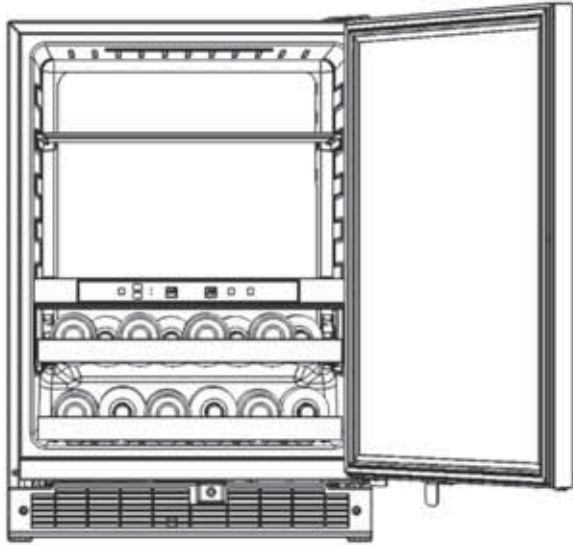
3. Lave a mano, enjuague y seque todas las partes desmontables y las superficies interiores meticulosamente. Use una esponja limpia o un paño liso y un detergente suave en agua tibia.

- No use productos de limpieza abrasivos o ásperos, como aerosoles para ventanas, productos de limpieza para pulir, líquidos inflamables, ceras para limpieza, detergentes concentrados, blanqueadores o productos de limpieza que contengan productos derivados del petróleo en las partes de plástico, revestimientos interiores y de la puerta o empaquetaduras. No use toallas de papel, estropajos para fregar u otros utensilios de limpieza ásperos. Éstos pueden rayar o dañar los materiales.

- Para ayudar a eliminar olores, puede lavar las paredes interiores con una mezcla de agua tibia y bicarbonato de sodio (2 cucharadas en un cuarto de galón (26 g en 0,95 L) de agua).

4. Lave las superficies externas metálicas pintadas y de acero inoxidable con una esponja limpia o un paño suave y detergente delicado con agua tibia. No use productos de limpieza abrasivos o ásperos o que contengan cloro. Éstos pueden rayar o dañar los materiales. Seque meticulosamente con un paño suave.

5. Vuelva a colocar las partes desmontables.
 6. Limpie los serpentines del condensador regularmente. Están ubicados detrás de la rejilla de la base. Quizás necesite limpiar los serpentines cada dos meses. Esto puede ayudar a ahorrar energía.
- Quite la rejilla de la base. Vea “Rejilla de la Base”.
 - Use una aspiradora con extensión para limpiar los serpentines del condensador siempre que estén sucios o polvorientos.



- Vuelva a colocar la rejilla de la base.
7. Enchufe el Refrigerador para Bebidas o reconecte el suministro de energía.

Cuidado Durante las Vacaciones y Mudanzas

Vacaciones

Si Ud. decide apagar el Refrigerador para Bebidas antes de irse, siga estos pasos.

1. Saque todas las botellas de vino del Refrigerador para Bebidas.
2. Desenchufe el Refrigerador para Bebidas.
3. Limpie el Refrigerador para Bebidas. Vea “Limpieza”.
4. Fije un bloque de goma o de madera con cinta adhesiva a la parte superior de la puerta para que quede abierta y el aire circule. Esto evita que se formen olores y que crezcan hongos.

Mudanza

Si Ud. muda su Refrigerador para Bebidas a una casa nueva, siga los siguientes pasos para prepararse para la mudanza.

1. Saque todas las botellas de vino del Refrigerador para Bebidas.
2. Desenchufe el Refrigerador para Bebidas.
3. Límpielo, enjuáguelo y séquelo detalladamente.
4. Saque todas las partes desmontables, envuélvalas bien y asegúrelas con cinta adhesiva para que no se sacudan durante la mudanza.
5. Sostenga las puertas cerradas y el cable pegado a la carcasa del Refrigerador para Bebidas con cinta adhesiva. Cuando llegue a la casa nueva, ponga todo de nuevo y lea la sección “Instrucciones de instalación” para obtener instrucciones de preparación.

SOLUCIÓN DE PROBLEMAS

Primero pruebe las soluciones sugeridas aquí para evitar el costo innecesario del servicio.

Su Refrigerador para Bebidas no funciona

⚠ ADVERTENCIA



Peligro de Choque Eléctrico

Conecte a un contacto de pared de conexión a tierra de 3 terminales.

No quite el terminal de conexión a tierra.

No use un adaptador.

No use un cable eléctrico de extensión.

No seguir estas instrucciones puede ocasionar la muerte, incendio o choque eléctrico.

- **Está desenchufado el cable de suministro de energía?** Conecte a un contacto de pared de conexión a tierra de 3 terminales.
- **Hay un fusible de la casa fundido o se disparó el cortacircuitos?** Reemplace el fusible o reposicione el cortacircuitos.
- **Está el control del Refrigerador para Bebidas en la posición OFF (Apagado)?** Vea “Uso del control”.

Parece que el motor funciona excesivamente

- **¿Está la temperatura exterior más caliente de lo normal?** En condiciones de calor, el motor funciona por períodos más largos. Cuando la temperatura es normal, el motor funciona entre 40 % y 80 % del tiempo. Bajo condiciones más calientes, puede funcionar por aún más tiempo.

- **¿Se acaba de agregar una gran cantidad de alimentos al Refrigerador para Bebidas?** Agregar grandes cantidades de alimentos hace que se caliente el refrigerador. Es normal que el motor funcione por períodos más prolongados para volver a enfriar el Refrigerador para Bebidas.
- **¿Se abre la puerta a menudo?** Cuando esto ocurre, el motor puede funcionar por períodos más largos. Para ahorrar energía, trate de sacar todo lo que necesite del Refrigerador para Bebidas de una vez, mantenga las botellas de vino con las etiquetas hacia arriba para que sean fáciles de encontrar y cierre la puerta una vez que se haya sacado el vino.
- **¿Se ha ajustado el control correctamente de acuerdo con las condiciones circundantes?** Vea “Uso del control”.
- **¿Está completamente cerrada la puerta?** Cierre la puerta con firmeza. Si no se cierra completamente, vea “La puerta no cierra completamente” más adelante en esta sección.
- **¿Están sucios los serpentines del condensador?** Esto obstruye la transferencia de aire y hace que el motor trabaje más. Limpie los serpentines del condensador. Vea “Limpieza”.

La temperatura está demasiado caliente

- **¿Se abre la puerta a menudo?** Sea consciente de que el Refrigerador para Bebidas se calienta cuando esto ocurre. Para mantener el Refrigerador para Bebidas frío, trate de sacar todo lo que necesite del mismo de una vez, mantenga las botellas de vino con las etiquetas hacia arriba para que sean fáciles de encontrar y cierre la puerta una vez que se haya sacado el vino.
- **¿Se acaba de agregar una gran cantidad de alimentos al Refrigerador para Bebidas?** Agregar grandes cantidades de alimentos hace que se caliente el Refrigerador para Bebidas. Pueden transcurrir varias horas hasta que el Refrigerador para Bebidas recupere su temperatura normal.
- **¿Se ha ajustado el control correctamente de acuerdo con las condiciones circundantes?** Vea “Uso del control”.
- **¿Está bloqueada la rejilla de la base?** Para obtener un óptimo funcionamiento, no instale el Refrigerador para Bebidas detrás de la puerta de un armario ni bloquee la rejilla de la base.

Es difícil abrir la puerta

⚠ ADVERTENCIA

Peligro de Explosión
Use un limpiador no inflamable.
No seguir esta instrucción puede ocasionar la muerte, explosión o incendio.

- **¿Está la empaquetadura sucia o pegajosa?** Limpie la empaquetadura y la superficie que ésta toque. Frote una capa delgada de cera de parafina sobre la empaquetadura después de la limpieza.

La puerta no cierra completamente

- **¿Hay paquetes de comida que impiden que se cierre la puerta?** Ordene los recipientes de manera que queden más juntos y ocupen menos espacio.
- **¿Están fuera de posición las rejillas o los estantes?** Coloque nuevamente las rejillas o los estantes en su posición correcta. Vea “Uso del Refrigerador para Bebidas” para obtener más información.

⚠ ADVERTENCIA

Peligro de Explosión
Use un limpiador no inflamable.
No seguir esta instrucción puede ocasionar la muerte, explosión o incendio.

- **¿Está la empaquetadura pegajosa?** Limpie la empaquetadura y la superficie que ésta toque. Frote una capa delgada de cera de parafina sobre la empaquetadura después de la limpieza.

Hay acumulación de humedad en el interior

- **¿Se abre la puerta a menudo?** Para evitar la acumulación de humedad, trate de sacar todo lo que necesite del Refrigerador para Bebidas de una vez, mantenga las botellas de vino con las etiquetas hacia arriba para que sean fáciles de encontrar y cierre la puerta una vez que se haya sacado el vino. Cuando la puerta está abierta, la humedad de la habitación entra al Refrigerador para Bebidas. La humedad se acumula más rápido cuanto más seguido se abre la puerta, especialmente cuando la habitación está muy húmeda.
- **¿Hay humedad?** Es normal que se acumule humedad dentro del Refrigerador para Bebidas cuando el aire está húmedo.
- **¿Se han envuelto correctamente los alimentos?** Verifique que todos los alimentos estén bien envueltos. Seque los recipientes húmedos antes de colocarlos en el Refrigerador para Bebidas.
- **¿Se ha ajustado el control correctamente de acuerdo con las condiciones circundantes?** Vea “Uso del control”.

AYUDA O SERVICIO TÉCNICO

Antes de solicitar ayuda o servicio técnico, por favor consulte la sección "Solución de problemas". Esto le podría ahorrar el costo de una visita de servicio técnico. Si considera que aún necesita ayuda, siga las instrucciones que aparecen a continuación.

Cuando llame, tenga a mano la fecha de compra y el número completo del modelo y de la serie de su electrodoméstico.

Esta información nos ayudará a atender mejor a su pedido.

Si Necesita Piezas de Repuesto

Si necesita pedir piezas de repuesto, recomendamos que use únicamente piezas de repuesto especificadas de fábrica. Estas piezas encajarán bien y funcionarán bien ya que están confeccionadas con la misma precisión empleada en la fabricación de cada electrodoméstico nuevo de Whirlpool®.

Para encontrar piezas de repuesto especificadas de fábrica en su localidad, llámenos o comuníquese con el centro de servicio designado por Whirlpool más cercano a su localidad.

En los EE.UU.

Llame al Centro para la eXperiencia del cliente de Whirlpool sin costo alguno al: **1-800-253-1301**.

Nuestros Consultores Ofrecen Asistencia con Respecto a:

- Características y especificaciones de nuestra línea completa de electrodomésticos.
- Información sobre instalación.
- Procedimiento para el uso y mantenimiento.
- Venta de accesorios y piezas para reparación.
- Asistencia especializada para el cliente (habla hispana, problemas de audición, visión limitada, etc.).
- Recomendaciones con distribuidores locales, compañías que dan servicio y distribuidores de partes para reparación. Los técnicos de servicio designados por Whirlpool están entrenados para cumplir con la garantía del producto y ofrecer servicio una vez que la garantía termine, en cualquier lugar de los Estados Unidos. Para localizar a una compañía de servicio designada por Whirlpool en su área, también puede consultar la sección amarilla de su guía telefónica.

Para Obtener más Asistencia

Si necesita asistencia adicional, puede escribir a Whirlpool Corporation con sus preguntas o dudas a:

Whirlpool Brand Home Appliances
Customer eXperience Center
553 Benson Road
Benton Harbor, MI 49022-2692

Favor de incluir un número telefónico de día en su correspondencia.

En Canadá

Llame al Centro de interacción del cliente de Whirlpool Canada sin costo alguno al: **1-800-807-6777**, o visite nuestro sitio de **www.whirlpool.ca**.

Nuestros Consultores Ofrecen Ayuda para:

- Características y especificaciones de nuestra línea completa de electrodomésticos.
- Procedimiento para el uso y mantenimiento.
- Venta de accesorios y partes para reparación.
- Programación de servicio técnico. Los técnicos de servicio designados por Whirlpool Canada están capacitados para cumplir con la garantía del producto y ofrecer servicio una vez que la garantía termine, en cualquier lugar de Canadá.

Para Obtener más Asistencia

Si necesita asistencia adicional, puede escribir a Whirlpool Canada con sus preguntas o dudas a:

Whirlpool Brand Home Appliances
Customer eXperience Centre
200 - 6750 Century Ave.
Mississauga, Ontario L5N 0B7

Por favor incluya en su correspondencia un número de teléfono en el que se le pueda localizar durante el día.

Accesorios

El siguiente accesorio está disponible para su Refrigerador para Bebidas. Para pedir el accesorio, comuníquese con nosotros y solicite el número de pieza.

En los EE.UU., visite nuestro sitio de internet en **www.whirlpool.com/accessories** o llame al **1-800-253-1301**.

En Canadá, visite nuestro sitio de internet en **www.whirlpoolparts.ca** o llame al **1-800-807-6777**.

Limpiador de Acero Inoxidable

Pida la pieza No. 4396095

GARANTÍA LIMITADA DEL REFRIGERADOR WHIRLPOOL®

ADJUNTE SU RECIBO AQUÍ. SE REQUIERE UN COMPROBANTE DE COMPRA PARA OBTENER SERVICIO BAJO LA GARANTÍA. Tenga a mano la siguiente información cuando llame al Centro para la eXperiencia del cliente:

- Nombre, dirección y número de teléfono
- Número de modelo y de serie
- Una descripción clara y detallada del problema
- Comprobante de compra incluido el nombre y la dirección del distribuidor o vendedor



www.whirlpool.com/product_help

SI NECESITA SERVICIO TÉCNICO:

1. Antes de contactarnos para obtener servicio, determine si el producto requiere reparación. Algunas consultas pueden atenderse sin servicio técnico. Tómese unos minutos para revisar la sección de Solución de problemas o Problemas y soluciones del Manual de uso y cuidado, escanee el código QR que se encuentra a la derecha para acceder a los recursos adicionales o visite www.whirlpool.com/product_help.
2. Todos los servicios bajo la garantía los brindan exclusivamente Prestadores autorizados de servicio de Whirlpool. Para EE. UU. y Canadá, dirija todas las solicitudes de servicio bajo la garantía a: **Centro para la eXperiencia del cliente de Whirlpool. En EE. UU., llame al 1-800-253-1301. En Canadá, llame al 1-800-807-6777.** Si se encuentra fuera de los 50 Estados Unidos o de Canadá, póngase en contacto con su distribuidor autorizado de Whirlpool para determinar si corresponde otra garantía.

GARANTÍA LIMITADA

Durante un año a partir de la fecha de compra, siempre y cuando este electrodoméstico principal se instale y reciba un uso y mantenimiento de conformidad con las instrucciones adjuntas o provistas con el producto, Whirlpool Corporation o Whirlpool Canada LP (en lo sucesivo denominado "Whirlpool"), se hará cargo del costo de las piezas de repuesto especificadas de fábrica y del trabajo de reparación para corregir defectos en los materiales o en la mano de obra existentes en el momento de la compra de este electrodoméstico principal o reemplazará, a su exclusivo criterio, el producto. En caso de reemplazo, el electrodoméstico estará bajo garantía por el tiempo restante del periodo de garantía de la unidad original.

GARANTÍA LIMITADA DEL SEGUNDO AL QUINTO AÑO PARA EL REVESTIMIENTO DE LA CAVIDAD Y EL SISTEMA DE REFRIGERACIÓN SELLADO

Del segundo al quinto año desde la fecha de compra original, siempre y cuando este electrodoméstico principal se instale y reciba un uso y mantenimiento de conformidad con las instrucciones adjuntas o provistas con el producto, la marca Whirlpool se hará cargo del costo de las piezas de repuesto especificadas de fábrica y del trabajo de reparación para los siguientes componentes, para corregir defectos no estéticos en los materiales y en la mano de obra que tenga esta pieza, los cuales impidan el funcionamiento del refrigerador, y que hayan existido en el momento de la compra de este electrodoméstico principal:

- Revestimiento de la cavidad del refrigerador/congelador si la pieza se agrietara debido a defectos de material o de mano de obra.
- Sistema de refrigeración sellado (incluye compresor, evaporador, condensador, secador y tubos conectores).

SU ÚNICO Y EXCLUSIVO RECURSO SEGÚN LOS TÉRMINOS DE ESTA GARANTÍA LIMITADA SERÁ EL DE REPARAR EL PRODUCTO SEGÚN SE ESTIPULA EN LA PRESENTE. El servicio deberá ser suministrado por una compañía de servicio designada por Whirlpool. Esta garantía limitada es válida solamente en Estados Unidos o en Canadá y se aplica solamente cuando el electrodoméstico principal se use en el país en el que se ha comprado. Esta garantía limitada entrará en vigor a partir de la fecha de la compra del consumidor original. Se requiere un comprobante de la fecha de compra original para obtener servicio bajo esta garantía limitada.

ITEMS EXCLUDED FROM WARRANTY

1. Uso comercial, no residencial o familiar múltiple o uso diferente del indicado en las instrucciones del usuario, del operador o de instalación publicadas.
2. Instrucción a domicilio sobre cómo usar el producto.
3. Servicio para corregir el mantenimiento o la instalación incorrecta del producto, la instalación que no esté de acuerdo con los códigos eléctricos o de plomería o corrección de plomería o instalación eléctrica doméstica (por ejemplo, instalación eléctrica, fusibles o mangueras de entrada de agua del hogar).
4. Piezas de consumo (por ejemplo, focos de luz, baterías, filtros de agua o de aire, soluciones de conservación, etc.).

5. Defectos o daños causados por el uso de piezas o accesorios no legítimos de Whirlpool.
6. Conversión del producto de gas natural o gas L.P.
7. Daño causado por accidente, uso indebido, abuso, incendio, inundación, actos fortuitos o el empleo de productos no aprobados por Whirlpool.
8. Reparaciones a piezas o sistemas para corregir el daño o los defectos del producto a causa de reparaciones por servicio no autorizado, alteraciones o modificaciones en el electrodoméstico.
9. Daños estéticos, incluyendo rayaduras, abolladuras, desportilladuras u otro daño al acabado del electrodoméstico a menos que el mismo sea debido a defectos en los materiales o la mano de obra y se le informe a Whirlpool en un lapso de 30 días.
10. Decoloración, herrumbre u oxidación de las superficies producto de entornos corrosivos o cáusticos que incluyen, entre otras cosas, altas concentraciones de sal, humedad elevada o exposición a productos químicos.
11. Pérdida de comida o medicamentos debido a la falla del producto.
12. Recogida o entrega. Este producto está destinado para ser reparado en su hogar.
13. Gastos de viaje o de transporte para prestar servicio en lugares remotos en los cuales no haya disponible un técnico de servicio autorizado por Whirlpool.
14. Remoción o reinstalación de electrodomésticos en lugares inaccesibles o accesorios integrados (por ejemplo, adornos, paneles decorativos, pisos, armarios, islas, mostradores, paredes, etc.) que interfieran con el servicio, la remoción o el reemplazo del producto.
15. Servicio técnico o piezas para electrodomésticos con números de serie/modelo originales removidos, alterados o no identificados con facilidad.

El costo de la reparación o del reemplazo bajo estas circunstancias excluidas correrá por cuenta del cliente.

EXCLUSIÓN DE GARANTÍAS IMPLÍCITAS

LAS GARANTÍAS IMPLÍCITAS, INCLUYENDO CUALQUIER GARANTÍA IMPLÍCITA DE COMERCIABILIDAD O GARANTÍA IMPLÍCITA DE CAPACIDAD PARA UN PROPÓSITO PARTICULAR, SE LIMITAN A UN AÑO O AL PERÍODO MÁS CORTO PERMITIDO POR LEY. Algunos estados y provincias no permiten la limitación de la duración de las garantías implícitas de comerciabilidad o capacidad, de modo que la limitación arriba indicada quizá no le corresponda. Esta garantía le otorga derechos legales específicos y es posible que usted tenga también otros derechos que varían de un estado a otro o de una provincia a otra.

EXCLUSIÓN DE DECLARACIONES FUERA DE LA GARANTÍA

Whirlpool no hace declaraciones acerca de la calidad, durabilidad o necesidad de servicio técnico o reparación de este electrodoméstico principal aparte de las declaraciones incluidas en esta garantía. Si usted desea una garantía con una duración más prolongada o más completa que la garantía limitada que se incluye con este electrodoméstico principal, deberá dirigirse a Whirlpool o a su distribuidor acerca de la compra de una garantía extendida.

LIMITACIÓN DE RECURSOS; EXCLUSIÓN DE DAÑOS INCIDENTALES Y CONSECUENTES

SU ÚNICO Y EXCLUSIVO RECURSO SEGÚN LOS TÉRMINOS DE ESTA GARANTÍA LIMITADA SERÁ EL DE REPARAR EL PRODUCTO SEGÚN SE ESTIPULA EN LA PRESENTE. WHIRLPOOL NO SE RESPONSABILIZARÁ POR DAÑOS INCIDENTALES O CONSECUENTES. Algunos estados y provincias no permiten la exclusión o limitación de daños incidentales o consecuentes, de modo que estas limitaciones y exclusiones quizás no le correspondan. Esta garantía le otorga derechos legales específicos y es posible que usted tenga también otros derechos que varían de un estado a otro o de una provincia a otra.

Mantenga este libro y su hoja de ventas juntos para futuras referencia. Debe proporcionar prueba de compra o fecha de instalación del servicio dentro de la garantía.

Anote la siguiente información acerca de su para ayudarle a obtener asistencia o servicio si alguna vez lo necesita. Usted necesitará saber su número de modelo completo y número de serie. Puede encontrar esta información en el modelo y la etiqueta del número de serie ubicada en el producto.

Nombre del comerciante _____

Dirección _____

Número de teléfono _____

Número de modelo _____

Número de serie _____

Fecha de compra _____

SÉCURITÉ DU RÉFRIGÉRATEUR POUR BOISSONS

Votre sécurité et celle des autres est très importante.

Nous donnons de nombreux messages de sécurité importants dans ce manuel et sur votre appareil ménager. Assurez-vous de toujours lire tous les messages de sécurité et de vous y conformer.



Voici le symbole d'alerte de sécurité.

Ce symbole d'alerte de sécurité vous signale les dangers potentiels de décès et de blessures graves à vous et à d'autres. Tous les messages de sécurité suivront le symbole d'alerte de sécurité et le mot "DANGER" ou "AVERTISSEMENT". Ces mots signifient:

⚠ DANGER

Risque possible de décès ou de blessure grave si vous ne suivez pas immédiatement les instructions.

⚠ AVERTISSEMENT

Risque possible de décès ou de blessure grave si vous ne suivez pas les instructions.

Tous les messages de sécurité vous diront quel est le danger potentiel et vous disent comment réduire le risque de blessure et ce qui peut se produire en cas de non-respect des instructions.

IMPORTANTES INSTRUCTIONS DE SÉCURITÉ

AVERTISSEMENT: Pour réduire les risques d'incendie, de choc électrique ou de blessures lors de l'utilisation du Réfrigérateur pour Boissons, prendre quelques précautions fondamentales, y compris les suivantes:

- Brancher l'appareil sur une prise à 3 alvéoles reliée à la terre.
- Ne pas enlever la broche de liaison à la terre.
- Ne pas utiliser un adaptateur.
- Ne pas utiliser un câble de rallonge.
- Débrancher la source de courant électrique avant l'entretien.
- Replacer pièces et panneaux avant de faire la remise en marche.
- Enlever la porte ou le(s) tiroir(s) de votre vieil appareil réfrigéré.
- Utiliser un produit de nettoyage ininflammable.
- Garder les matières et les vapeurs inflammables, telle que l'essence, loin du Réfrigérateur pour Boissons.
- Utiliser deux ou plus de personnes pour déplacer et installer le Réfrigérateur pour Boissons.
- Avertissements de la proposition 65 de l'État de Californie:
AVERTISSEMENT: Ce produit contient au moins un produit chimique connu par l'État de Californie pour être à l'origine de cancers.
AVERTISSEMENT: Ce produit contient au moins un produit chimique connu par l'État de Californie pour être à l'origine de malformations et autres déficiences de naissance.

CONSERVEZ CES INSTRUCTIONS

Mise au rebut de votre vieil Réfrigérateur pour Boissons

⚠ AVERTISSEMENT

Risque de Suffoquer

Enlever la porte ou le(s) tiroir(s) de votre vieil appareil réfrigéré.

Le non-respect de cette instruction peut causer un décès ou des lésions cérébrales.

IMPORTANT: L'emprisonnement et l'étouffement des enfants ne sont pas un problème du passé.

Les Réfrigérateurs pour Boissons jetés ou abandonnés sont encore dangereux, même s'ils sont laissés abandonnés pendant "quelques jours seulement". Si vous vous débarrassez de votre vieil Réfrigérateur pour Boissons, veuillez suivre les instructions suivantes pour aider à éviter les accidents.

Avant de jeter votre vieil appareil réfrigéré:

- Enlever la porte.
- Laisser les grilles et tablettes en place de sorte que les enfants ne puissent pas y pénétrer facilement.



Informations importantes sur l'élimination des fluides réfrigérants:

Éliminez le Réfrigérateur pour Boissons conformément aux réglementations fédérales et locales. Les réfrigérants doivent être éliminés par un technicien en réfrigération certifié par l'EPA (Environmental Protection Agency) conformément aux procédures établies.

INSTRUCTIONS D'INSTALLATION

Exigences d'Emplacement

⚠ AVERTISSEMENT



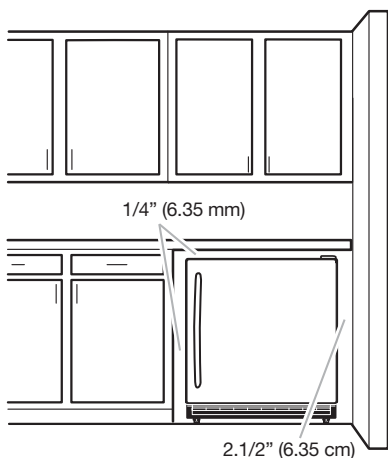
Risque d'Explosion

Garder les matériaux et les vapeurs inflammables, telle que l'essence, loin du Réfrigérateur pour Boissons.

Le non-respect de cette instruction peut causer un décès, une explosion ou un incendie.

Pour obtenir une aération appropriée pour votre Réfrigérateur pour Boissons, laisser un espace de 1/4" (6,35 mm) de chaque côté et au sommet. En cas d'installation du réfrigérateur près d'un mur fixe, laisser un minimum de 2.1/2" (6,35 cm) du côté de la charnière pour permettre à la porte de s'ouvrir sans obstruction.

REMARQUE: On recommande de ne pas installer le Réfrigérateur pour Boissons près d'un four, d'un radiateur ou de toute autre source de chaleur. Ne pas installer l'appareil en un endroit où la température pourrait descendre en-dessous de 55 °F (13 °C). Pour le meilleur rendement, ne pas installer le Réfrigérateur pour Boissons derrière une porte d'armoire ni obstruer la grille de la base.

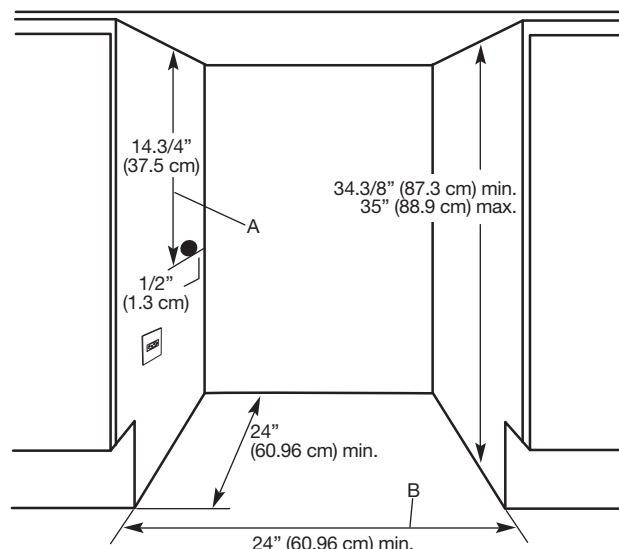


Dimensions de l'ouverture

- Les dimensions de hauteur sont illustrées avec les pieds de nivellement déployés à la hauteur minimum.

REMARQUE: Lorsque les pieds de nivellement sont totalement déployés, ajouter 5/8" (1,6 cm) à la hauteur totale. Voir "Dimensions du produit".

- Si le plancher de l'ouverture n'est pas au même niveau que le plancher de la cuisine, placer une cale dans l'ouverture pour qu'elle soit au même niveau que le plancher de la cuisine.



Dimensions critiques:

A. Trou pour les raccords - 14.3/4" (37,5 cm)

B. Largeur de l'ouverture - 24" (60,96 cm) min.

Spécifications Électriques

⚠ AVERTISSEMENT



Risque de Choc Électrique

Brancher sur une prise à 3 alvéoles reliée à la terre.

Ne pas enlever la broche de liaison à la terre.

Ne pas utiliser un adaptateur.

Ne pas utiliser un câble de rallonge.

Le non-respect de ces instructions peut causer un décès, un incendie ou un choc électrique.

Avant de placer le Réfrigérateur pour Boissons à son emplacement final, il est important de vous assurer d'avoir la connexion électrique appropriée.

Méthode recommandée de mise à la terre

Une source d'alimentation de 115 volts, 60 Hz, type 15 ou 20 ampères CA seulement, protégée par fusible et adéquatement mise à la terre est nécessaire. Il est recommandé d'utiliser un circuit distinct pour alimenter uniquement votre Réfrigérateur pour Boissons. Utiliser une prise murale qui ne peut pas être mise hors circuit à l'aide d'un commutateur. Ne pas utiliser un câble de rallonge.

REMARQUE: Avant d'exécuter tout type d'installation, nettoyage ou remplacement d'une ampoule d'éclairage, débrancher le Réfrigérateur pour Boissons ou déconnecter la source de courant électrique.

Déballage du Réfrigérateur pour Boissons

⚠ AVERTISSEMENT

Risque du Poids Excessif

Utiliser deux ou plus de personnes pour déplacer et installer le Réfrigérateur pour Boissons.

Le non-respect de cette instruction peut causer une blessure au dos ou d'autre blessure.

Enlèvement des Matériaux d'Emballage

- Enlever tout résidu de ruban adhésif et de colle des surfaces avant de mettre en marche le Réfrigérateur pour Boissons. Frotter une petite quantité de savon liquide à vaisselle sur l'adhésif avec les doigts. Rincer à l'eau tiède et sécher.
- Ne pas utiliser d'instruments coupants, d'alcool à friction, de liquides inflammables ou de nettoyants abrasifs pour enlever le ruban adhésif ou la colle. Ces produits peuvent endommager la surface de votre Réfrigérateur pour Boissons. Pour plus de renseignements, voir "Sécurité du Réfrigérateur pour Boissons".
- Jeter et recycler tous les matériaux d'emballage.

Déplacement de Votre Réfrigérateur pour Boissons:

Votre Réfrigérateur pour Boissons est lourd. Lors du déplacement de l'appareil pour le nettoyage et le service, veiller à recouvrir le plancher avec du carton ou un panneau de fibres dures pour éviter qu'il ne subisse tout dommage. Toujours tirer l'appareil tout droit lors du déplacement. Ne pas incliner l'appareil d'un côté ou de l'autre ni le "faire marcher" en essayant de le déplacer car le plancher pourrait être endommagé.

Nettoyage Avant l'Utilisation

Après avoir enlevé tous les matériaux d'emballage, nettoyer l'intérieur du Réfrigérateur pour Boissons avant de l'utiliser. Voir les instructions de nettoyage dans "Entretien du Réfrigérateur pour Boissons".

Importants renseignements à savoir au sujet des tablettes et des couvercles en verre:

Ne pas nettoyer les tablettes ou couvercles en verre avec de l'eau tiède quand ils sont froids. Les tablettes et les couvercles peuvent se briser s'ils sont exposés à des changements soudains de température ou à un impact tel que coup brusque. Le verre trempé est conçu pour éclater en d'innombrables pièces minuscules. Ceci est normal. Les tablettes et les couvercles en verre sont lourds. Les saisir à deux mains lors de leur dépose afin d'éviter de les faire tomber.

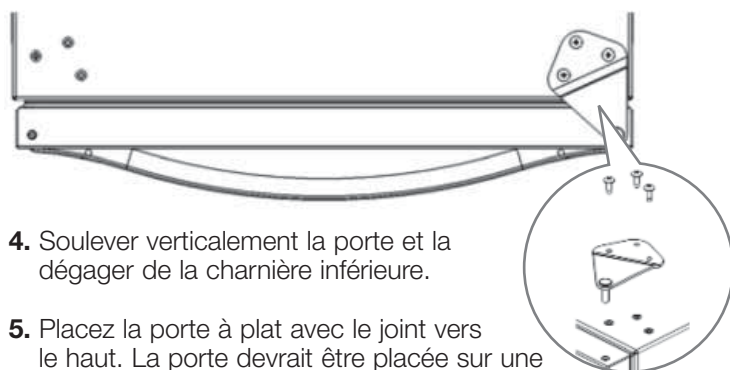
Inversion du sens de l'Ouverture de la Porte (facultatif)

Outils nécessaires: Tournevis Phillips et une clé de 8 mm (ou 5/16" clé).

1. Débrancher le Réfrigérateur pour Boissons ou déconnecter la source de courant électrique.
2. Enlever les vis de chaque côté du sommet de la caisse du Réfrigérateur pour Boissons, et les mettre de côté.

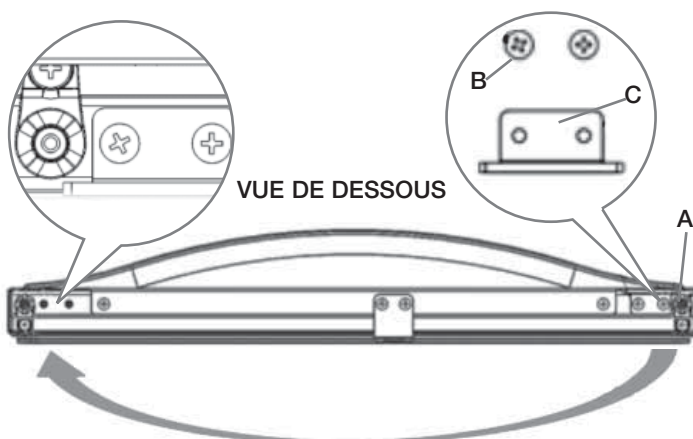
REMARQUE: Il y a sept vis au total. Ne pas les jeter.

3. Enlever le couvre-charnière et la rondelle d'étanchéité, et les mettre de côté.

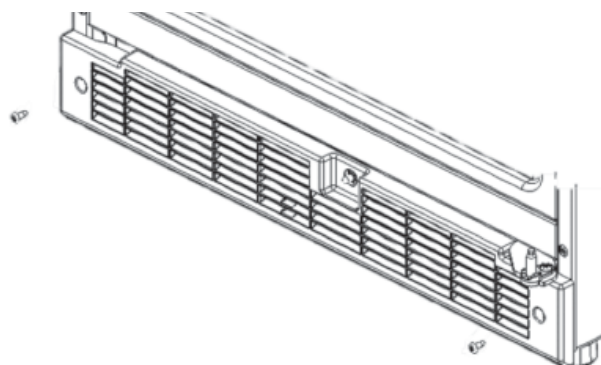


4. Soulever verticalement la porte et la dégager de la charnière inférieure.
5. Placez la porte à plat avec le joint vers le haut. La porte devrait être placée sur une surface exempte de débris telle que le carton ou la couverture pour éviter les égratignures.

6. Retirer les vis (B) de fixation de la butée de porte en métal noir (C) et la fixer de nouveau du côté opposé.

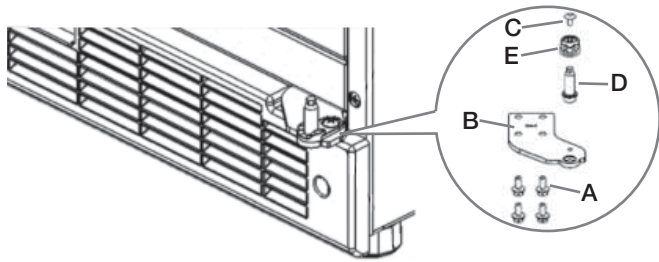


7. Retirez les vis de chaque côté de la plaque de protection et mettez-les de côté.



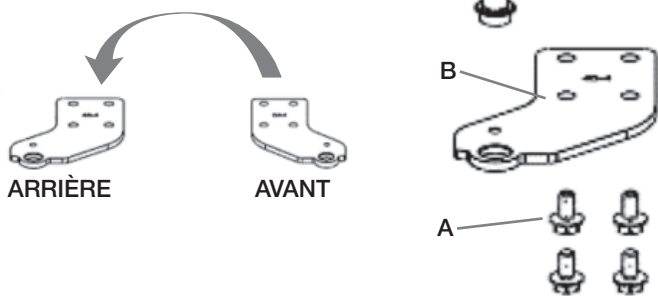
8. Retirez la plaque de protection et mettez-la de côté.

9. Avec la clé, enlevez les vis (A) fixant le charnière inférieure (B) à l'armoire et au Réfrigérateur de côté. Il y a quatre vis au total.

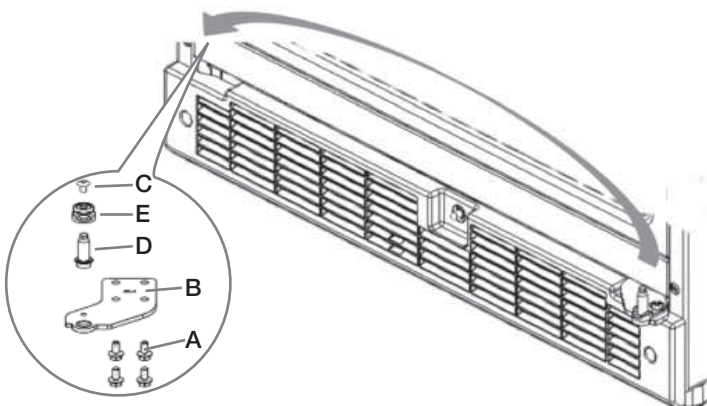


10. À l'aide du tournevis, retirez la vis (C) fixant le loquet de la charnière en plastique (E). Mettez la vis de côté. Ensuite, dévisser l'axe de la charnière inférieure (D) et le loquet de la charnière en plastique (E) et mettre de côté.

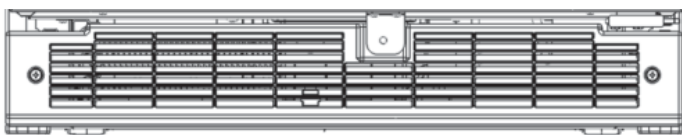
11. Retournez la charnière inférieure du côté opposé. Comme indiqué dans les images ci-dessous et inverser le processus à l'étape 10.



12. Déplacez la charnière du côté opposé et serrez complètement les vis (quatre au total).

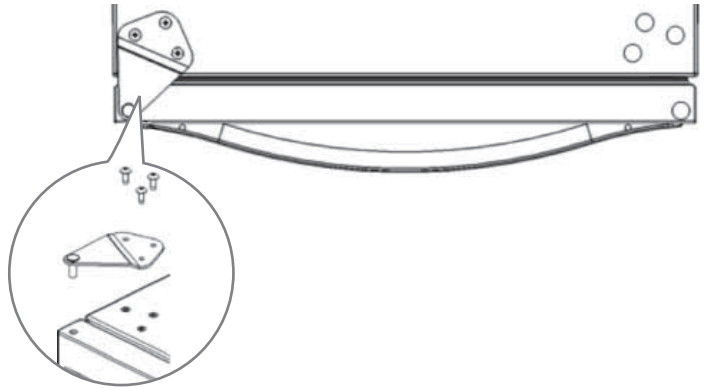


13. Remettez la grille de base en place et serrez avec les deux vis fournies.



14. Placez la porte vers le bas et sur la charnière inférieure.

15. Fixez la charnière supérieure avec trois vis d'argent et déplacez les quatre vis restantes du côté opposé. Serrez complètement les sept vis.



Fermeture de la Porte

Le Réfrigérateur pour Boissons possède quatre pieds de réglage de l'aplomb. Si le Réfrigérateur pour Boissons semble instable ou si vous désirez que la porte se ferme plus facilement, régler l'inclinaison de l'appareil en observant les instructions cidessous.

⚠ AVERTISSEMENT



Risque de Choc Électrique

Brancher sur une prise à 3 alvéoles reliée à la terre à la terre.

Ne pas enlever la broche de liaison à la terre.

Ne pas utiliser un adaptateur.

Ne pas utiliser un câble de rallonge.

Le non-respect de ces instructions peut causer un décès, un incendie ou un choc électrique.

1. Brancher sur une prise à 3 alvéoles reliée à la terre.

⚠ AVERTISSEMENT

Risque du Poids Excessif

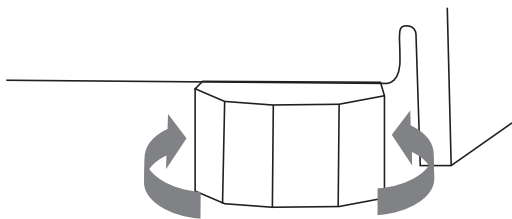
Utiliser deux ou plus de personnes pour déplacer et installer le Réfrigérateur pour Boissons.

Le non-respect de cette instruction peut causer une blessure au dos ou d'autre blessure.

2. Déplacer le Réfrigérateur pour Boissons à sa position finale.

3. Tourner les pieds de réglage de l'aplomb vers la droite pour abaisser le Réfrigérateur pour Boissons ou tourner les pieds de réglage de l'aplomb vers la gauche pour le soulever. Il peut être nécessaire de tourner les pieds de réglage de l'aplomb plusieurs fois pour ajuster l'inclinaison du Réfrigérateur pour Boissons.

REMARQUE: Si une autre personne pousse le haut du Réfrigérateur pour Boissons, le poids devient moins lourd sur les pieds de réglage de l'aplomb, ce qui rend plus facile l'ajustement des pieds de réglage de l'aplomb.



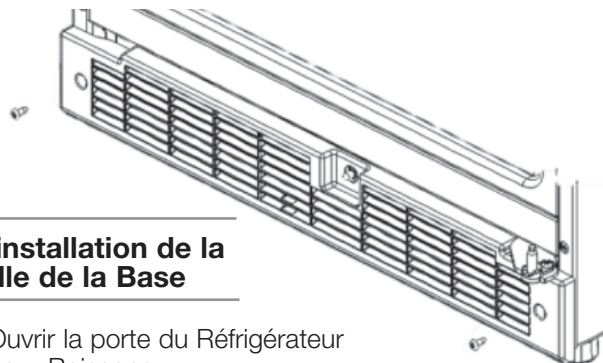
4. S'assurer que la porte ferme comme vous le désirez. Sinon, incliner le Réfrigérateur pour Boissons un peu plus vers l'arrière en tournant les deux vis de réglage de l'aplomb avant vers la gauche. Plusieurs tours peuvent être nécessaires et il convient de tourner les deux vis de réglage de l'aplomb de façon égale.

Grille de la Base

Outils nécessaires: Tournevis Phillips

Dépose de la Grille de la Base

1. Ouvrir la porte du Réfrigérateur pour Boissons.
2. À l'aide d'un tournevis Phillips, ôter les deux vis.
3. Retirer la grille de la base.



Réinstallation de la Grille de la Base

1. Ouvrir la porte du Réfrigérateur pour Boissons.
2. Positionner la grille de la base de façon à ce que les onglets soient alignés et que la grille de la base s'emboîte. Réinstaller les deux vis. Serrer les vis.

UTILISATION DU RÉFRIGÉRATEUR POUR BOISSONS

Sons Normaux

Il est possible que le Réfrigérateur pour Boissons neuf émette des sons que l'appareil précédent ne produisait pas. Comme ces sons sont nouveaux, ils peuvent vous inquiéter. La plupart de ces nouveaux sons sont normaux. Les sons peuvent vous sembler plus forts avec des surfaces dures telles que le plancher et les structures adjacentes. Les descriptions suivantes indiquent les genres de sons et leur cause possible.

- Votre Réfrigérateur pour Boissons est conçu pour fonctionner plus efficacement afin de conserver les boissons aux températures désirées et pour minimiser la consommation d'énergie. Le compresseur et les ventilateurs haute efficacité peuvent faire fonctionner votre Réfrigérateur pour Boissons plus longtemps que l'ancien. Il se peut également que vous entendiez un bruit saccadé ou aigu provenant du compresseur ou des ventilateurs qui s'ajustent pour optimiser la performance.
- Des vibrations sonores peuvent provenir de l'écoulement du réfrigérant ou d'articles placés dans le Réfrigérateur pour Boissons.
- À la fin de chaque programme, vous pouvez entendre un gargouillement attribuable au réfrigérant qui se trouve dans votre Réfrigérateur pour Boissons.
- Vous pouvez entendre l'écoulement de l'eau dans le plateau de récupération lorsque le Réfrigérateur pour Boissons dégivre.
- Vous pouvez entendre des déclics lorsque le Réfrigérateur pour Boissons se met en marche ou s'arrête.

Utilisation du Contrôle

Le panneau de commande est situé sur le côté gauche du compartiment et face au centre avant. Le panneau de commande n'a pas de pièces mécaniques ou de boutons.


Activation / Désactivation du Contrôle

La première fois que le Réfrigérateur pour Boissons est branché, le contrôle sera en mode éteint.

Pour **Allumer** l'appareil, appuyez sur le  bouton pendant 3 secondes.

Pour **Éteindre** l'appareil, appuyez sur le  bouton pendant 3 secondes.

Affichage des Températures Celsius

Appuyez  sur le pavé tactile pour basculer entre l'affichage la température en degrés Fahrenheit et degrés Celsius. Le correspondant l'indicateur s'allume.



Ajuster la lumière intérieure

Appuyez  sur le pavé tactile pour basculer entre ON et OFF.

Ajuster les Contrôles

Il existe trois points de réglage du contrôle de température pour ce modèle: Pour votre commodité, votre contrôle est pré-réglé à la température par défaut.

- Pour ajuster les températures de consigne, appuyez sur “+” (plus) ou “-” (moins) jusqu’à ce que le réglage de température souhaité soit atteint.

REMARQUES:

- La température recommandée par défaut pour le Réfrigérateur pour Boissons est de 4 °C (39 °F)
- Attendez au moins 24 heures entre les réglages pour que le Réfrigérateur pour Boissons puisse s’acclimater.



Réglage du Réfrigérateur pour Boissons	Compartiment inférieur	Compartiment supérieur
Froid	33 °F (1 °C)	42 °F (6 °C)
Frais	39 °F (4 °C)	50 °F (10 °C)
Tiède	42 °F (6 °C)	55 °F (13 °C)

CARACTÉRISTIQUES DU RÉFRIGÉRATEUR POUR BOISSONS

Tablettes du Réfrigérateur pour Boissons

Votre modèle peut être doté de tablettes en verre ou de clayettes. Conserver les aliments similaires ensemble et régler les tablettes pour les adapter à différentes hauteurs. Ceci réduira la durée d’ouverture de la porte du réfrigérateur et fera économiser de l’énergie.

Pour Enlever et Réinstaller les Tablettes:

1. Réinstaller la tablette en l’insérant dans les supports de tablette et en la poussant vers le fond du compartiment.
2. Enlever la tablette en soulevant l’avant et en la retirant des supports de tablette.



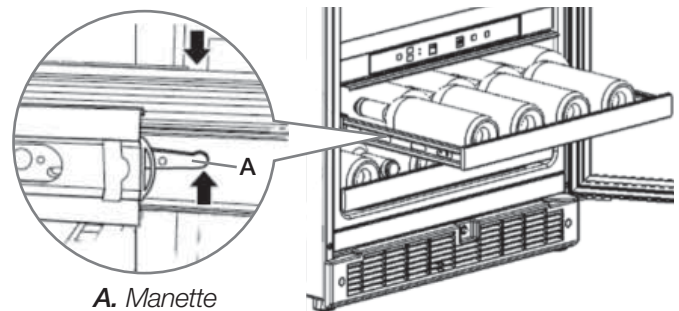
Importants renseignements à savoir au sujet des tablettes et des couvercles en verre:

Ne pas nettoyer les tablettes ou couvercles en verre avec de l’eau tiède quand ils sont froids. Les tablettes et les couvercles peuvent se briser s’ils sont exposés à des changements soudains de température ou à un impact tel que coup brusque. Le verre trempé est conçu pour éclater en d’innombrables pièces minuscules. Ceci est normal. Les tablettes et les couvercles en verre sont lourds. Les saisir à deux mains lors de leur dépose afin d’éviter de les faire tomber.

Retrait et réinstallation des casiers à vin

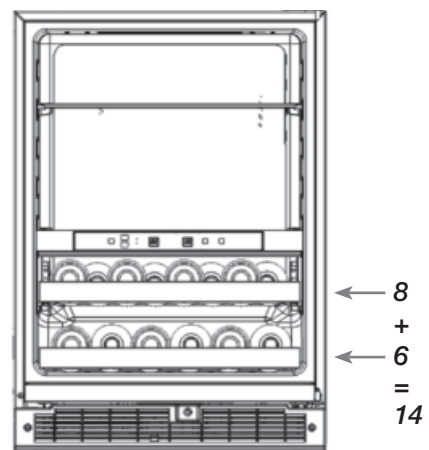
REMARQUE: Lors du rangement de grosses bouteilles ou des magnums, retirer le casier se trouvant directement au dessus.

1. Tirer le casier vers l’avant jusqu’à la butée.
2. Relever la manette (A) de gauche tout en appuyant sur la manette de droite pour libérer le casier. Tirer le casier vers l’avant et le soulever hors de ses supports.



3. Réinstaller la grille en l’insérant dans les supports et en la faisant glisser vers l’arrière du Réfrigérateur pour Boissons

Stockage dans le Réfrigérateur pour Boissons

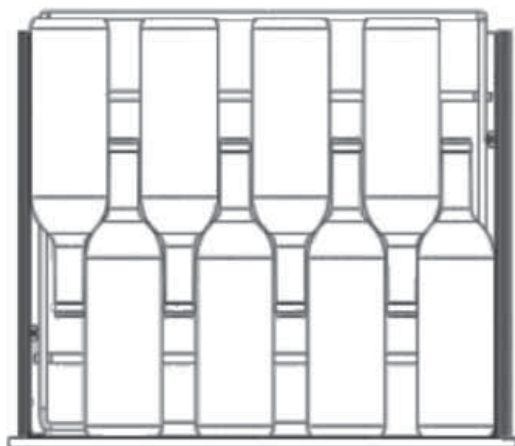


Stockage dans le Réfrigérateur pour Boissons

1. Placer les jus de fruits, les boissons gazeuses et autres boissons en canettes sur les tablettes en verre.

Casier à vin supérieur:

1. Faites glisser le casier à vin ouvert.
2. En commençant par le côté gauche du casier inférieur, placer la première bouteille avec le goulot dirigé vers l'avant du Réfrigérateur pour Boissons.
3. Placer la bouteille suivante à côté, le goulot de la bouteille vers l'arrière du Réfrigérateur pour Boissons. Alternier ainsi l'orientation des bouteilles jusqu'à ce que le casier soit plein.
4. Faites glisser le casier à vin en place.

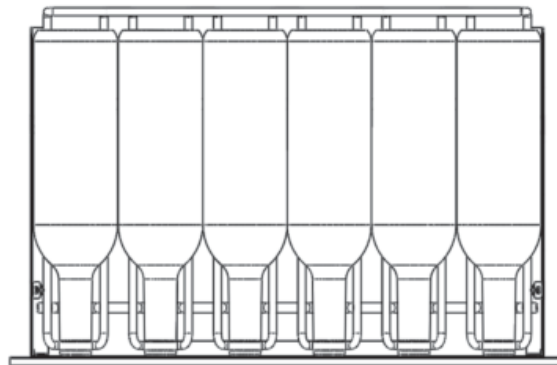


REMARQUE: Le casier à vin peut être stocké avec les bouteilles orientées dans les deux sens, cependant, pour optimiser le stockage, les bouteilles adjacentes doivent être orientées dans des directions opposées.

Panier Inférieur 6 Bouteilles

Casier à vin inférieur

En partant du côté gauche du panier inférieur, placez la première bouteille avec le col de la bouteille face à l'avant du centre de boissons. Continuez de placer les bouteilles restantes dans la même direction.



ENTRETIEN DU RÉFRIGÉRATEUR POUR BOISSONS

Nettoyage

⚠ AVERTISSEMENT



Risque d'Explosion

Utiliser un produit de nettoyage ininflammable.

Le non-respect de cette instruction peut causer un décès, une explosion ou un incendie.

Nettoyer le Réfrigérateur pour Boissons environ une fois par mois pour empêcher une accumulation d'odeurs. Essuyer les renversements immédiatement.

Pour nettoyer le Réfrigérateur pour Boissons:

1. Débrancher le Réfrigérateur pour Boissons ou déconnecter la source de courant électrique.
2. Retirer toutes les grilles et tablettes de l'intérieur du Réfrigérateur pour Boissons.

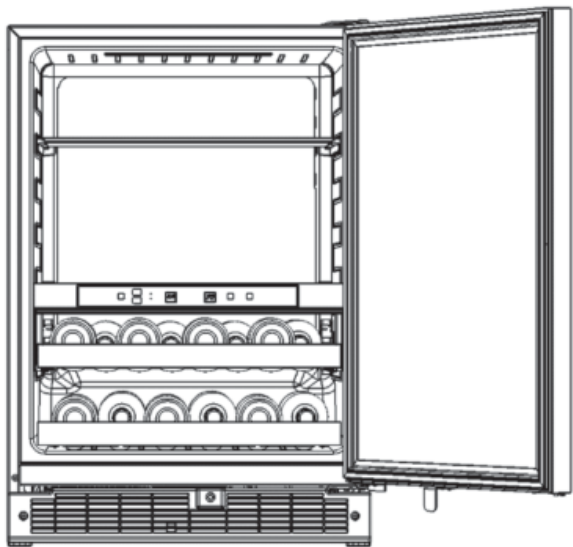
3. Laver à la main, rincer et sécher les pièces amovibles et les surfaces internes à fond. Utiliser une éponge propre ou un linge doux et un détergent doux dans de l'eau tiède.

- Ne pas utiliser de nettoyeurs forts ou abrasifs tels que les nettoyeurs à vitre en atomiseurs, nettoyeurs à récurer, liquides inflammables, cires nettoyantes, détergents concentrés, eaux de Javel ou nettoyeurs contenant du pétrole sur les pièces en plastique, les garnitures intérieures et de portes ou les joints de portes. Ne pas utiliser d'essuie-tout, tampons à récurer ou autres outils de nettoyage abrasifs. Ces produits risquent d'égratigner ou d'endommager les matériaux.

- Pour aider à éliminer les odeurs, on peut laver les parois intérieures avec un mélange d'eau tiède et de bicarbonate de soude (2 c. à soupe pour 1 pinte (26 g pour 0,95 L) d'eau).

4. Laver les surfaces extérieures en acier inoxydable et peintes avec une éponge propre ou un linge doux et un détergent doux dans de l'eau tiède. Ne pas utiliser de produits de nettoyage forts ou abrasifs, ni de nettoyeurs à base de chlore. Ces produits risquent d'égratigner ou d'endommager les matériaux. Sécher parfaitement avec un linge doux.

5. Réinstaller les grilles et tablettes.
6. Nettoyer régulièrement les serpentins du condenseur. Ils sont situés derrière la grille de la base. Il se peut que les serpentins aient besoin d'être nettoyés tous les deux mois. Ce nettoyage peut aider à économiser de l'énergie.
 - Retirer la grille de la base. Voir "Grille de la base".
 - Utiliser un aspirateur avec un accessoire long pour nettoyer les serpentins du condenseur lorsqu'ils sont sales ou poussiéreux.



- Réinstaller la grille de la base.
7. Brancher le Réfrigérateur pour Boissons ou reconnecter la source de courant électrique.

Précautions à Prendre pour les Vacances et Avant un Déménagement

Vacances

Si vous choisissez d'arrêter le Réfrigérateur pour Boissons avant de partir, suivre ces étapes.

1. Enlever toutes les bouteilles du Réfrigérateur pour Boissons.
2. Débrancher le Réfrigérateur pour Boissons.
3. Nettoyer le Réfrigérateur pour Boissons. Voir "Nettoyage".
4. À l'aide de ruban adhésif, placer un bloc de caoutchouc ou de bois dans la partie supérieure de la porte de façon à ce qu'elle soit suffisamment ouverte pour permettre l'entrée de l'air à l'intérieur, afin d'éviter l'accumulation d'odeur ou de moisissure.

Déménagement

En cas de déplacement du Réfrigérateur pour Boissons dans une nouvelle habitation, suivre ces étapes pour préparer le déménagement.

1. Enlever toutes les bouteilles du Réfrigérateur pour Boissons.
2. Débrancher le Réfrigérateur pour Boissons.
3. Nettoyer, essuyer et sécher soigneusement.
4. Retirer toutes les pièces amovibles, bien les envelopper et les attacher ensemble avec du ruban adhésif pour qu'elles ne bougent ni ne s'entrechoquent durant le déménagement.
5. Utiliser du ruban adhésif pour maintenir la porte fermée et fixer le cordon d'alimentation au Réfrigérateur pour Boissons.
Lorsque vous arriverez à votre nouvelle habitation, remettre tout en place et consulter la section "Instructions d'installation" pour les instructions de préparation.

DÉPANNAGE

Essayer d'abord les solutions suggérées ici afin d'éviter le coût d'une intervention de dépannage inutile.

Le Réfrigérateur pour Boissons ne fonctionne pas

⚠ AVERTISSEMENT



Risque de Choc Électrique

Brancher sur une prise à 3 alvéoles reliée à la terre.

Ne pas enlever la broche de liaison à la terre.

Ne pas utiliser un adaptateur.

Ne pas utiliser un câble de rallonge.

Le non-respect de ces instructions peut causer un décès, un incendie ou un choc électrique.

- **Le cordon d'alimentation électrique est-il débranché?** Brancher sur une prise à 3 alvéoles reliée à la terre.
- **Un fusible du domicile est-il grillé ou le disjoncteur s'est-il déclenché?** Remplacer le fusible ou réenclencher le disjoncteur.
- **Le Réfrigérateur pour Boissons est-il en position OFF (arrêt)?** Voir "Utilisation du contrôle".

Le moteur semble fonctionner excessivement

- **La température ambiante est-elle plus élevée que d'habitude?** Prévoir que le moteur fonctionne plus longtemps dans des conditions de chaleur. Pour des températures normales, prévoir que le moteur fonctionne à peu près 40 % à 80 % du temps. Dans des conditions plus chaudes, prévoir un fonctionnement encore plus fréquent.

- **Vient-on d'ajouter une grande quantité d'aliments au Réfrigérateur pour Boissons?** L'ajout d'une grande quantité d'aliments réchauffe le Réfrigérateur pour Boissons. Il est normal que le moteur fonctionne plus longtemps afin de refroidir de nouveau le Réfrigérateur pour Boissons.
- **La porte est-elle ouverte fréquemment?** Prévoir que le moteur fonctionne plus longtemps dans ce cas. Afin de conserver l'énergie, essayer de sortir du Réfrigérateur pour Boissons tout ce dont vous avez besoin en une fois, placer les bouteilles de vin avec l'étiquette orientée vers le haut de sorte qu'elles soient faciles à trouver et fermer la porte dès que le vin a été retiré.
- **Le réglage de la commande est-il correct pour les conditions existantes?** Voir "Utilisation du contrôle".
- **La porte est-elle bien fermée?** Bien fermer la porte. Si elle ne ferme pas complètement, voir "La porte ne ferme pas complètement" plus loin dans cette section.
- **Les serpentins du condenseur sont-ils sales?** Cette situation fait obstruction au transfert de l'air et fait travailler davantage le moteur. Nettoyer les serpentins du condenseur. Voir "Nettoyage".

La température est trop élevée

- **La porte est-elle ouverte fréquemment?** Sachez que le Réfrigérateur pour Boissons se réchauffera dans ce cas. Afin de garder l'appareil froid, essayer de sortir du Réfrigérateur pour Boissons tout ce dont vous avez besoin en une fois, placer les bouteilles de vin avec l'étiquette orientée vers le haut de sorte qu'elles soient faciles à trouver et fermer la porte dès que le vin a été retiré.
- **Vient-on d'ajouter une grande quantité d'aliments au Réfrigérateur pour Boissons?** L'ajout d'une grande quantité d'aliments réchauffe le Réfrigérateur pour Boissons. Plusieurs heures peuvent être nécessaires pour que le Réfrigérateur pour Boissons revienne à la température normale.
- **Le réglage de la commande est-il correct pour les conditions existantes?** Voir "Utilisation du contrôle".
- **La grille de la base est-elle obstruée?** Pour le meilleur rendement, ne pas installer le Réfrigérateur pour Boissons derrière une porte d'armoire ni obstruer la grille de la base.

La porte est difficile à ouvrir

⚠ AVERTISSEMENT

Risque d'Explosion
Utiliser un produit de nettoyage ininflammable.
Le non-respect de cette instruction peut causer un décès, une explosion ou un incendie.

- **Le joint colle-t-il ou est-il sale?** Nettoyer le joint et la surface qu'il touche. Frotter en appliquant une fine couche de paraffine sur le joint après le nettoyage.

La porte ne ferme pas complètement

- **Les aliments emballés empêchent-ils la porte de fermer?** Réorganiser les contenants de sorte qu'ils soient plus rapprochés et prennent moins d'espace.
- **Les grilles ou tablettes sont-elles bien en place?** Remettre les grilles et tablettes en bonne position. Voir "Utilisation du Réfrigérateur pour Boissons" pour plus de renseignements.

⚠ AVERTISSEMENT

Risque d'Explosion
Utiliser un produit de nettoyage ininflammable.
Le non-respect de cette instruction peut causer un décès, une explosion ou un incendie.

- **Le joint colle-t-il?** Nettoyer le joint et la surface qu'il touche. Frotter en appliquant une fine couche de paraffine sur le joint après le nettoyage.

Il existe une accumulation d'humidité à l'intérieur

- **La porte est-elle ouverte fréquemment?** Pour éviter une accumulation d'humidité, essayer de sortir du Réfrigérateur pour Boissons tout ce dont vous avez besoin en une fois, placer les bouteilles de vin avec l'étiquette orientée vers le haut de sorte qu'elles soient faciles à trouver et fermer la porte dès que le vin a été retiré. Lorsque la porte est ouverte, l'humidité de l'air extérieur pénètre dans le Réfrigérateur pour Boissons. Plus la porte est ouverte, plus l'humidité s'accumule rapidement, surtout lorsque la pièce est très humide.
- **La pièce est-elle humide?** Il est normal que de l'humidité s'accumule à l'intérieur du Réfrigérateur pour Boissons lorsque l'air est humide.
- **Les aliments sont-ils bien emballés?** Vérifier que tous les aliments sont bien emballés. Essuyer les contenants humides avant de les placer dans le Réfrigérateur pour Boissons.
- **Le réglage de la commande est-il correct pour les conditions existantes?** Voir "Utilisation du contrôle".

ASSISTANCE OU SERVICE

Avant de faire un appel pour assistance ou service, veuillez vérifier "Dépannage". Cette vérification peut vous faire économiser le coût d'une visite de service. Si vous avez encore besoin d'aide, suivez les instructions ci-dessous. Lors d'un appel, veuillez connaître la date d'achat et les numéros de modèle et de série complets de votre appareil. Ces renseignements nous aideront à mieux répondre à votre demande.

Si vous Avez Besoin de Pièces de Rechange

Si vous avez besoin de commander des pièces de rechange, nous vous recommandons d'utiliser seulement les pièces de rechange spécifiées par l'usine. Les pièces de rechange spécifiées par l'usine conviendront bien et fonctionneront bien parce qu'elles sont fabriquées selon les mêmes spécifications précises utilisées pour fabriquer chaque nouvel appareil WHIRLPOOL®. Pour savoir où trouver des pièces de rechange spécifiées par l'usine dans votre région, nous appelons ou contacter le centre de service désigné le plus proche.

Aux États-Unis

Téléphoner au Centre pour l'eXpérience de la clientèle de Whirlpool sans frais: **1-800-422-1230**.

Nos Consultants Fournissent de l'Assistance pour:

- Caractéristiques et spécifications de notre gamme complète d'appareils ménagers.
- Renseignements d'installation.
- Procédés d'utilisation et d'entretien.
- Vente d'accessoires et de pièces de rechange.
- Assistance spécialisée au client (langue espagnole, malentendants, malvoyants, etc.).
- Les références aux concessionnaires, compagnies de service de réparation et distributeurs de pièces de rechange locaux. Les techniciens de service désignés par Whirlpool sont formés pour remplir la garantie des produits et fournir un service après garantie partout aux États-Unis. Pour localiser la compagnie de service désignée par Whirlpool dans votre région, vous pouvez également consulter les Pages jaunes.

Pour Plus d'Assistance

Si vous avez besoin de plus d'assistance, vous pouvez écrire à Whirlpool en soumettant toute question ou problème à:

Whirlpool Brand Home Appliances
Customer eXperience Center
553 Benson Road
Benton Harbor, MI 49022-2692

Dans votre correspondance, veuillez indiquer un numéro de téléphone où l'on peut vous joindre dans la journée.

Au Canada

Téléphoner sans frais au Centre pour l'eXpérience de la clientèle de Whirlpool Canada au: **1-800-807-6777**, ou visitez notre site Web à **www.whirlpool.ca**.

Nos Consultants Fournissent de l'Assistance pour:

- Caractéristiques et spécifications de notre gamme complète d'appareils ménagers.
- Procédés d'utilisation et d'entretien.
- Vente d'accessoires et de pièces de rechange.
- Les références aux concessionnaires, compagnies de service de réparation et distributeurs de pièces de rechange locaux. Les techniciens de service désignés par Whirlpool Canada sont formés pour remplir la garantie des produits et fournir un service après la garantie, partout au Canada.

Pour Plus d'Assistance

Si vous avez besoin de plus d'assistance, vous pouvez écrire à Whirlpool Canada en soumettant toute question ou problème à:

Whirlpool Canada
Centre pour l'eXpérience de la clientèle
1901 Minnesota Court
Mississauga, Ontario L5N 3A7

Dans votre correspondance, veuillez indiquer un numéro de téléphone où l'on peut vous joindre dans la journée.

Accessoires

Les accessoires suivants sont disponibles pour votre Réfrigérateur pour Boissons. Pour commander un accessoire, nous contacter et demander le numéro de pièces.

Aux É.-U., consulter notre page Web à l'adresse **www.whirlpool.com/accessories** ou composer le **1-800-253-1301**.

Au Canada, consulter notre page Web à l'adresse **www.whirlpoolparts.ca** ou composer le **1-800-807-6777**.

Nettoyant et poli pour acier inoxydable

Commander la pièce n° 4396095

GARANTIE LIMITÉE DES APPAREILS DE RÉFRIGÉRATION WHIRLPOOL®

ATTACHEZ ICI VOTRE REÇU DE VENTE. UNE PREUVE D'ACHAT EST OBLIGATOIRE POUR OBTENIR L'APPLICATION DE LA GARANTIE. Lorsque vous appelez le centre d'expérience de la clientèle, veuillez garder à disposition les renseignements suivants:

- Nom, adresse et numéro de téléphone
- Numéros de modèle et de série
- Une description claire et détaillée du problème rencontré
- Une preuve d'achat incluant le nom et l'adresse du marchand ou du détaillant



<http://www.whirlpool.ca>

SI VOUS AVEZ BESOIN DE SERVICE:

1. Avant de nous contacter pour obtenir un dépannage, veuillez déterminer si des réparations sont nécessaires pour votre produit. Certains problèmes peuvent être résolus sans intervention de dépannage. Prenez quelques minutes pour parcourir la section Dépannage ou Résolution de problèmes du guide d'utilisation et d'entretien, scannez le code QR ci-contre avec votre téléphone intelligent pour accéder à des ressources supplémentaires, ou rendez-vous sur le site **www.whirlpool.ca**.
2. Tout service sous garantie doit être effectué exclusivement par nos fournisseurs de dépannage autorisés Whirlpool. Aux É.-U. et au Canada, dirigez toutes vos demandes de service sous garantie au **Centre d'expérience de la clientèle Whirlpool Aux É.-U., composer le 1-800-253-1301. Au Canada, composer le 1-800-807-6777**. Si vous résidez à l'extérieur du Canada et des 50 États des États-Unis, contactez votre marchand Whirlpool autorisé pour déterminer si une autre garantie s'applique. **www.whirlpool.ca**.

GARANTIE LIMITÉE

Pendant un an à compter de la date d'achat, lorsque ce gros appareil ménager est installé, utilisé et entretenu conformément aux instructions jointes au produit ou fournies avec, Whirlpool Corporation ou Whirlpool Canada LP (ci-après désignées "Whirlpool") décidera à sa seule discrétion de remplacer le produit ou de payer pour les pièces spécifiées par l'usine et la main-d'œuvre nécessaires pour corriger les vices de matériaux ou de fabrication qui existaient déjà lorsque ce gros appareil ménager a été acheté. S'il est remplacé, votre appareil restera sous garantie pour la durée restant à courir de la période de garantie sur le produit d'origine.

GARANTIE LIMITÉE DE LA DEUXIÈME À LA CINQUIÈME ANNÉE INCLUSIVEMENT SUR LA DOUBLURE DE LA CAVITÉ ET SUR LE SYSTÈME DE RÉFRIGÉRATION SCELLÉ

De la deuxième à la cinquième année inclusivement à compter de la date d'achat initiale, lorsque ce gros appareil ménager est installé, utilisé et entretenu conformément aux instructions jointes au produit ou fournies avec, la marque Whirlpool paiera pour les pièces de rechange spécifiées par l'usine et la main-d'œuvre concernant les composants suivants pour corriger les défauts non esthétiques de matériau ou de fabrication de ladite pièce qui empêchent le réfrigérateur de fonctionner et qui étaient déjà présents lorsque ce gros appareil ménager a été acheté:

- Doublure de la cavité du réfrigérateur/congélateur si la pièce se fissure en raison d'un vice de matériau ou de fabrication.
- Système de réfrigération scellé (y compris le compresseur, l'évaporateur, le condenseur, le séchoir et les conduits de connexion).

LE SEUL ET EXCLUSIF RECOURS DU CLIENT DANS LE CADRE DE LA PRÉSENTE GARANTIE LIMITÉE CONSISTE EN LA RÉPARATION PRÉVUE PAR LA PRÉSENTE. Le service doit être fourni par une compagnie de service désignée par Whirlpool. Cette garantie limitée est valide uniquement aux États-Unis ou au Canada et s'applique exclusivement lorsque le gros appareil ménager est utilisé dans le pays où il a été acheté. La présente garantie limitée est valable à compter de la date d'achat initial par le consommateur. Une preuve de la date d'achat initial est exigée pour obtenir un dépannage dans le cadre de la présente garantie limitée.

CE QUI N'EST PAS COUVERT

1. Usage commercial, non résidentiel ou par plusieurs familles, ou non-respect des instructions de l'utilisateur, de l'opérateur ou des instructions d'installation.
2. Visite d'instruction à domicile pour montrer à l'utilisateur comment utiliser l'appareil.
3. Visites de service pour rectifier une installation ou un entretien fautifs du produit, une installation non conforme aux codes d'électricité ou de plomberie, ou la rectification de l'installation électrique ou de la plomberie du domicile (ex: câblage électrique, fusibles ou tuyaux d'arrivée d'eau du domicile).
4. Pièces consommables (ex : ampoules, batteries, filtres à air ou à eau, solutions de conservation, etc.).
5. Défauts ou dommage résultant de l'utilisation de pièces ou accessoires Whirlpool non authentiques.

6. Conversion de votre produit du gaz naturel ou du gaz de pétrole liquéfié.
7. Dommages causés par: accident, usage impropre ou abusif, incendie, inondations, catastrophe naturelle ou utilisation de produits non approuvés par Whirlpool.
8. Réparations aux pièces ou systèmes dans le but de rectifier un dommage ou des défauts résultant d'une réparation ou modification non autorisée faite à l'appareil.
9. Défauts d'apparence, notamment les éraflures, traces de choc, fissures ou tout autre dommage subi par le fini de l'appareil ménager, à moins que ces dommages ne résultent de vices de matériaux ou de fabrication et ne soient signalés à Whirlpool dans les 30 jours suivant la date d'achat.
10. Décoloration, rouille ou oxydation des surfaces résultant d'environnements caustiques ou corrosifs incluant des concentrations élevées de sel, un haut degré d'humidité ou une exposition à des produits chimiques.
11. Perte d'aliments ou de médicaments due à une défaillance du produit.
12. Enlèvement ou livraison. Ce produit est conçu pour être réparé à domicile.
13. Frais de déplacement ou de transport pour le dépannage/la réparation dans une région éloignée où un fournisseur de services d'entretien ou de réparation Whirlpool autorisée n'est pas disponible.
14. Retrait ou réinstallation d'appareils inaccessibles ou de dispositifs préinstallés (ex: garnitures, panneaux décoratifs, plancher, meubles, îlots de cuisine, plans de travail, panneaux de gypse, etc.) qui entravent le dépannage, le retrait ou le remplacement du produit
15. Service et pièces pour les appareils dont les numéros de série et de modèle originaux ont été enlevés, modifiés ou ne peuvent pas être facilement identifiés.

Le coût d'une réparation ou d'un remplacement dans le cadre de ces circonstances exclues est à la charge du client.

CLAUSE D'EXONÉRATION DE RESPONSABILITÉ AU TITRE DES GARANTIES IMPLICITES

LES GARANTIES IMPLICITES, Y COMPRIS LES GARANTIES APPLICABLES DE QUALITÉ MARCHANDE OU D'APTITUDE À UN USAGE PARTICULIER, SONT LIMITÉES À UN AN OU À LA PLUS COURTE PÉRIODE AUTORISÉE PAR LA LOI. Certains États et provinces ne permettent pas de limitation sur la durée des garanties implicites de qualité marchande ou d'aptitude à un usage particulier, de sorte que la limitation ci-dessus peut ne pas être applicable dans votre cas. Cette garantie vous confère des droits juridiques spécifiques et vous pouvez également jouir d'autres droits qui peuvent varier d'une juridiction à l'autre.

EXONÉRATION DE RESPONSABILITÉ DANS LES DOMAINES NON COUVERTS PAR LA GARANTIE

Whirlpool décline toute responsabilité au titre de la qualité ou de la durabilité de l'appareil, ou en cas de dépannage ou de réparation nécessaire sur ce gros appareil ménager autre que les responsabilités énoncées dans la présente garantie. Si vous souhaitez une garantie plus étendue ou plus complète que la garantie limitée fournie avec ce gros appareil ménager, adressez-vous à Whirlpool ou à votre détaillant pour obtenir les modalités d'achat d'une garantie étendue.

LIMITATION DES RECOURS; EXCLUSION DES DOMMAGES FORTUITS OU INDIRECTS

LE SEUL ET EXCLUSIF RECOURS DU CLIENT DANS LE CADRE DE LA PRÉSENTE GARANTIE LIMITÉE CONSISTE EN LA RÉPARATION PRÉVUE PAR LA PRÉSENTE. WHIRLPOOL N'ASSUME AUCUNE RESPONSABILITÉ POUR LES DOMMAGES FORTUITS OU INDIRECTS. Certains États et certaines provinces ne permettent pas l'exclusion ou la limitation des dommages fortuits ou indirects de sorte que ces limitations et exclusions peuvent ne pas être applicables dans votre cas. Cette garantie vous confère des droits juridiques spécifiques et vous pouvez également jouir d'autres droits qui peuvent varier d'une juridiction à l'autre.

Gardez ce livre et votre bordereau de vente ensemble pour référence future. Vous devez fournir une preuve d'achat ou une date d'installation pour le service sous garantie.

Notez les informations suivantes sur votre appareil principal pour mieux vous aider à obtenir de l'aide ou un service si vous en avez besoin.

Vous devrez connaître votre numéro de modèle complet et votre numéro de série. Vous pouvez trouver cette information sur l'étiquette du modèle et du numéro de série située sur le produit.

Le nom du revendeur _____

Adresse _____

Numéro de téléphone _____

Numéro de modèle _____

Numéro de série _____

Date d'achat _____

NOTES

W11176204
8336460163100A
All rights reserved.
Todos los derechos reservados.
Tous droits réservés.

®Registered trademark/™ Trademark of Whirlpool
Corporation or its related companies.
Used under license by Whirlpool Limited in Canada.

08/01/2017
Printed in Mexico
Impreso en México
Imprimé au Mexique
