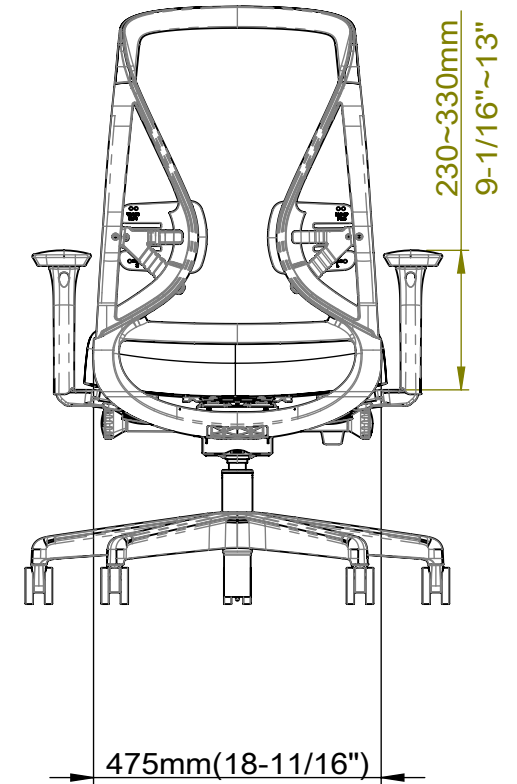
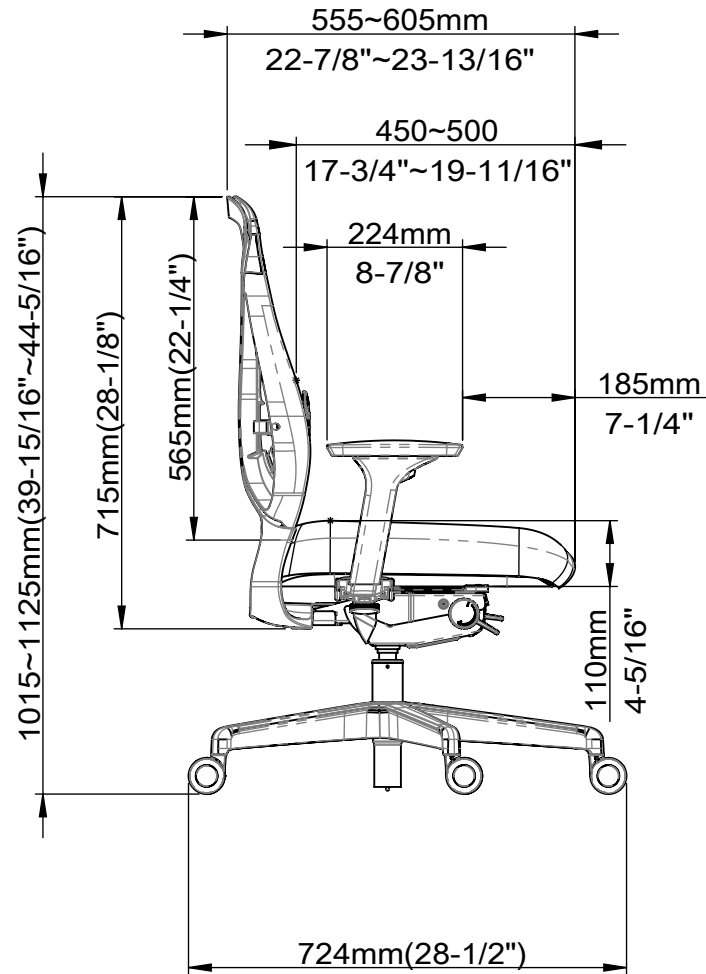
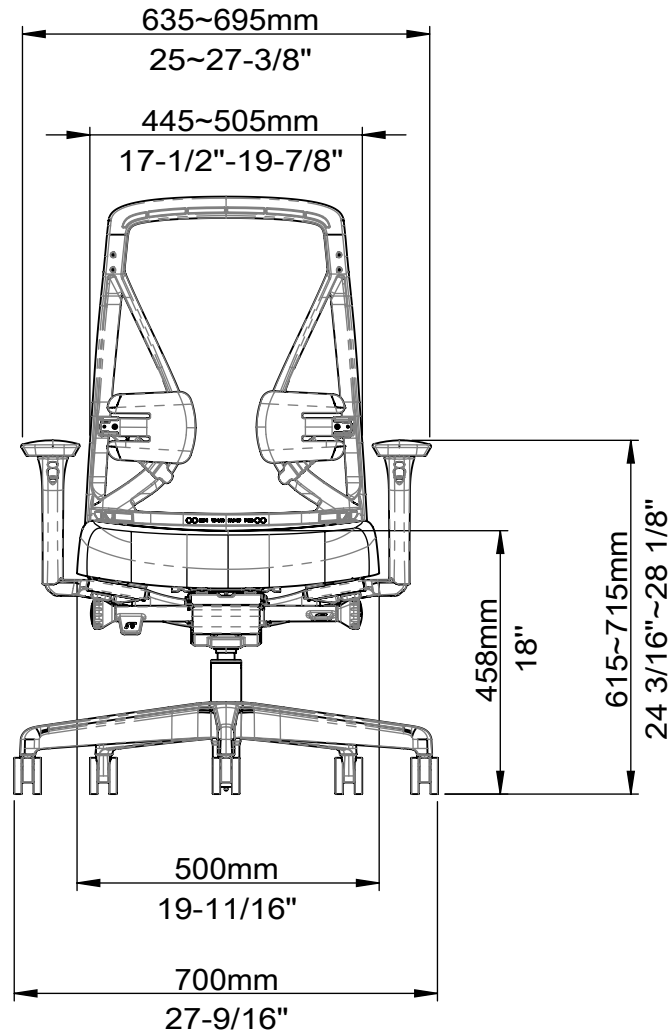


T150B30



Chair N.W. : 15KGS/ 33LBS

Chair G.W. : 18KGS/40LBS

Cylinder : 120mm Stroke (125mm Tapper)

From floor to the bottom of cylinder : 25mm