



# Convection Microwave - E Series Trim Installation

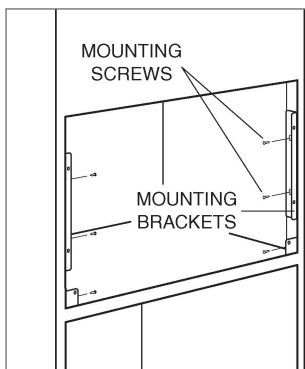
wolfappliance.com 800.222.7820

## CONVECTION MICROWAVE CONTENTS

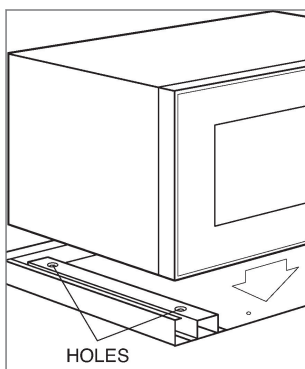
1	Assembly, frame
2	Bracket, mounting (stainless trim only)
10	Screw, #8-18 x $\frac{3}{8}$ "
6	Screw, #6-18 x 1"
4	Screw, #6-32 x $\frac{3}{4}$ "
2	Screw #8-15 x $\frac{1}{2}$ "
3	Assembly, duct (bottom, rear, and top)
2	Trim, side
4	Tape, black foam

## CONVECTION MICROWAVE - E SERIES TRIM INSTALLATION

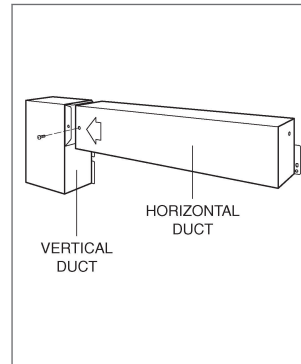
- 1 For black trim, proceed to step 4.
- 2 Position the mounting brackets flush with the cabinet face and base support.
- 3 Pre-drill the holes then use six #6-18 x 1" screws to attach the brackets to the cabinet frame.



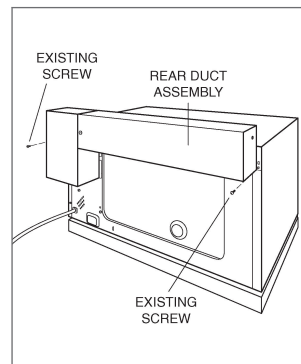
- 4 Place the microwave onto the bottom duct.



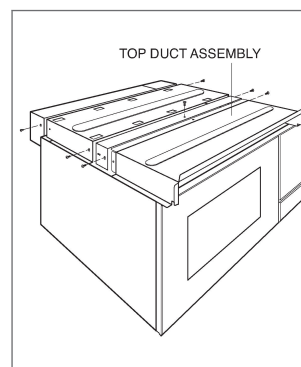
- 5 Insert the horizontal duct into the vertical duct to create the rear duct assembly and secure with one #8-18 x  $\frac{3}{8}$ " screw.



- 6 Remove the existing screws from the upper right and left rear of the microwave. Do not discard.
- 7 Position the rear duct assembly on the microwave and secure using the screws removed in the previous step.



- 8 Position the three remaining duct sections on top of the microwave to create the top duct assembly.
- 9 Secure each section with two #8-18 x  $\frac{3}{8}$ " screws (one per side) and insert one #8-18 x  $\frac{3}{8}$ " screw in the top section.



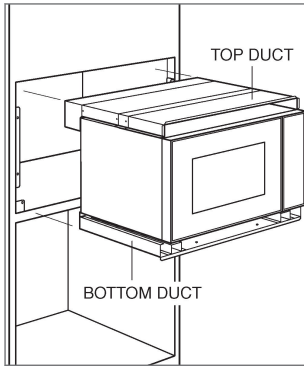


## Convection Microwave - E Series Trim Installation

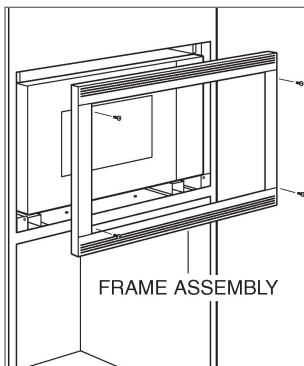
wolfappliance.com 800.222.7820

### Convection Microwave - E Series Trim Installation (continued)

- 10 Place the microwave assembly close to the cabinet opening and plug the power cord into a properly grounded electrical outlet.
- 11 Insert the microwave assembly into the opening.



- 12 Pre-drill two pilot holes and use two #8-15 x 1/2" screws to secure the bottom duct to cabinetry.
- 13 Temporarily place the trim over the opening and look for gaps that may be visible between the microwave and trim. Attach foam tape to the microwave to eliminate gaps. The foam tape can be cut to achieve a proper fit.
- 14 For stainless trim, attach the frame assembly to the side mounting brackets with four #6-32 x 3/4" screws. For black trim, attach the frame assembly directly to the cabinet with four #6-18 x 1" screws.



- 15 Remove the protective covering from the side trim and install one piece per side.